

**shindaiwa<sup>®</sup>**

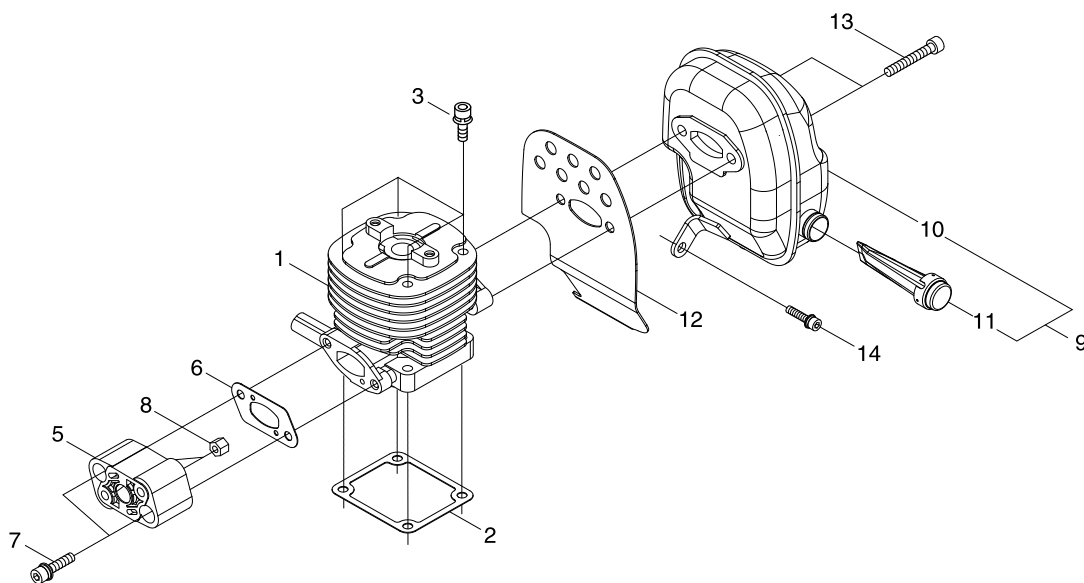
# **PARTS CATALOG**

## **BRUSHCUTTER C350/SF450(36)**

**36100001 -**

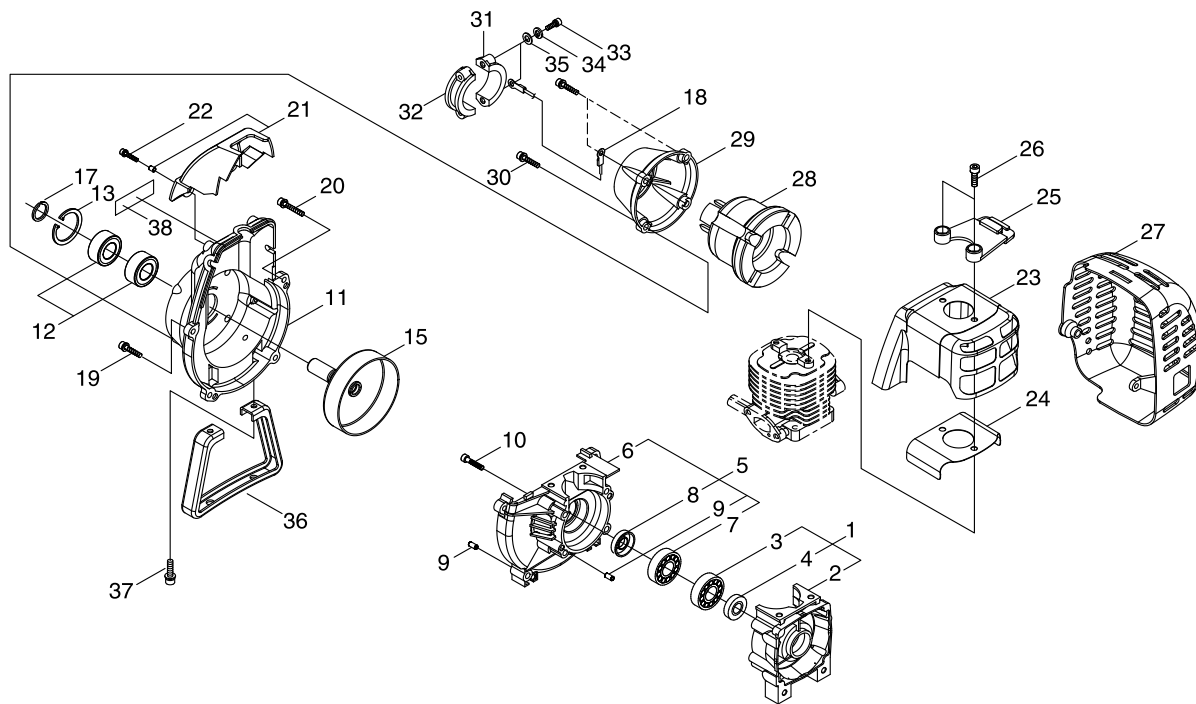
P016-001310-13Db

# 1. CYLINDER, MUFFLER



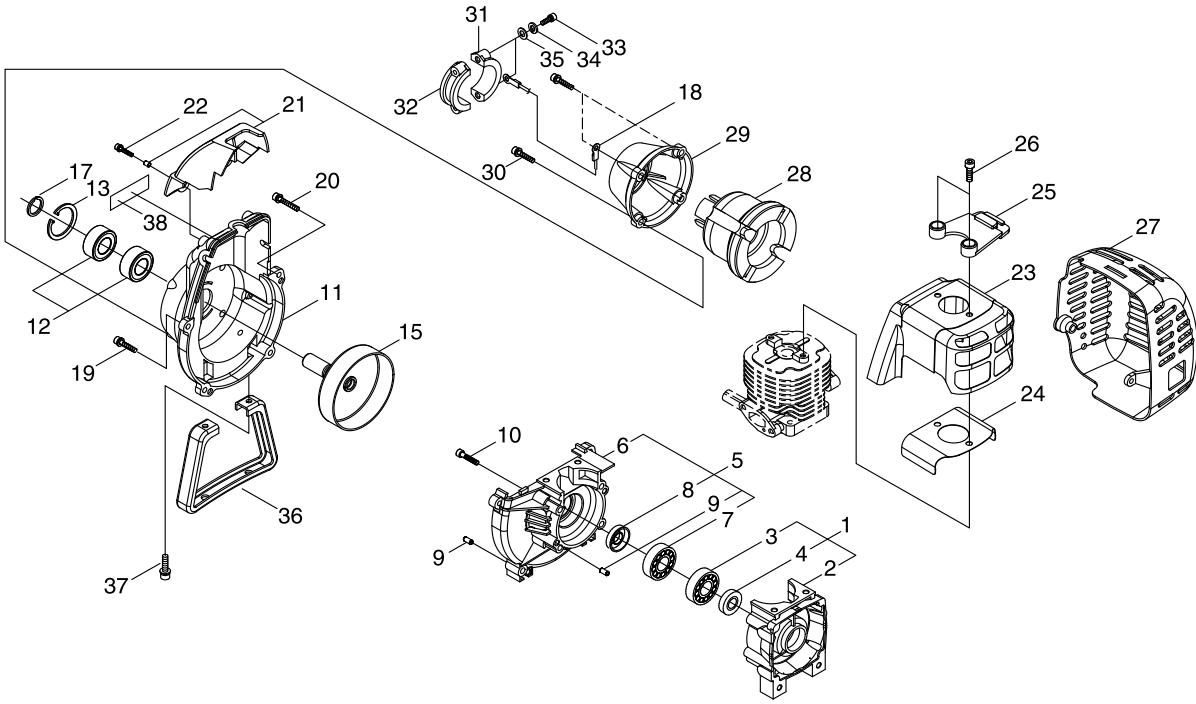
KEY	LV	PART NUMBER	Q'TY	DESCRIPTION	REMARKS	NOTE1	NOTE2
1		A130-001371	1	CYLINDER			
2		V100-000470	1	GASKET CYLINDER			
3		91122-05025	4	BOLT	CB-5*25 SW		
5		A200-000640	1	INSULATOR			
6		V103-000950	1	GASKET			
7		V203-000631	2	BOLT,5	M5X25 WSW		
8		V263-000180	2	NUT			
9		A030-000230	1	MUFFLER ASSY			
10	+	A300-001130	1	MUFFLER			
11	+	A310-000210	1	SPARK ARRESTER			
12		V104-001340	1	GASKET			
13		900105-06025	2	BOLT, H.S. 6*25	6*25		
14		V203-000820	1	BOLT SLPW			

## 2. CRANKCASE, FANCOVER



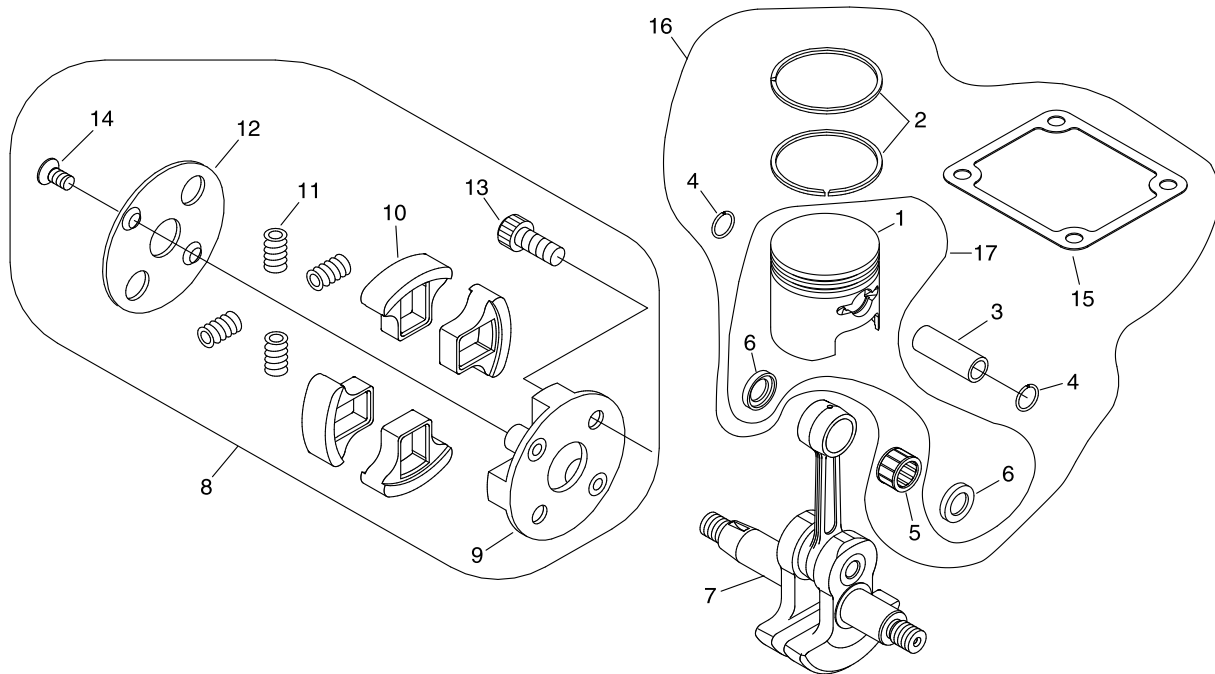
KEY	LV	PART NUMBER	Q'TY	DESCRIPTION	REMARKS	NOTE1	NOTE2
1		P021-033432	1	CRANK CASE S COMP			
2	+	A120-000082	1	CRANKCASE			
3	+	V592-000290	1	BEARING, BALL	6202X47C3		
4	+	V508-000050	1	OIL SEAL			
5		P021-030051	1	CRANK CASE M COMP			
6	+	A120-001120	1	CRANKCASE			
7	+	V592-000290	1	BEARING, BALL	6202X47C3		
8	+	V508-000050	1	OIL SEAL			
9	+	900330-50100	4	ROLLER 5*10			
10		900105-05030	4	BOLT, H.S. 5*30	5*30		
11		A172-002310	1	COVER,FAN			
12		900802-06002	2	BEARING, BALL 6002	6002DDU(LLU)		
13		92424-32000	1	SNAP RING			
15		A556-001480	1	DRUM, CLUTCH			
17		V583-000181	1	RING			
18		V485-001640	1	EARTH CORD			
19		V203-000351	3	BOLT,5	M5X20 WSW		
20		V203-000581	1	BOLT,5	M5X30 WSW		
21		A162-000190	1	PROTECTOR COMP			
22		91113-04016	2	BOLT	M-4*16 SW,W		
23		A160-001600	1	CYLINDER COVER			
24		V101-000020	1	GASKET			
25		A163-000020	1	STAY			
26		V203-000541	2	BOLT,5	M5X18 WSW		
27		A320-000770	1	MUFFLER COVER			
28		A575-000400	1	JOINT			

2. CRANKCASE, FANCOVER



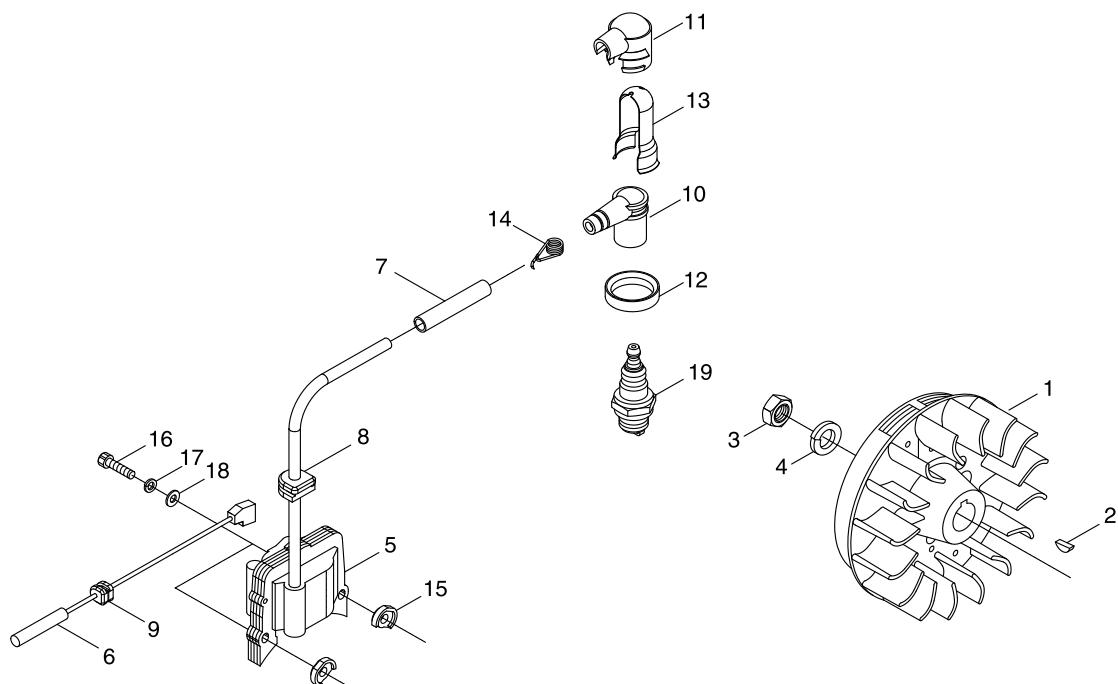
KEY	LV	PART NUMBER	Q'TY	DESCRIPTION	REMARKS	NOTE1	NOTE2
29		A575-000410	1	CAP JOINT			
30		V203-000351	4	BOLT,5	M5X20 WSW		
31		A575-000420	1	CLAMP A			
32		A575-000430	1	CLAMP B			
33		900105-05025	2	BOLT, H.S. 5*25	5*25		
34		900605-00005	2	WASHER, SPRING 5	5		
35		900600-00005	2	WASHER 5	5		
36		A175-000180	1	STAND			
37		V203-000591	2	BOLT,5	M5X16 WSW		
38		X504-007460	1	LABEL,BRAND	SHINDAIWA 350		

### 3. CRANKSHAFT, PISTON



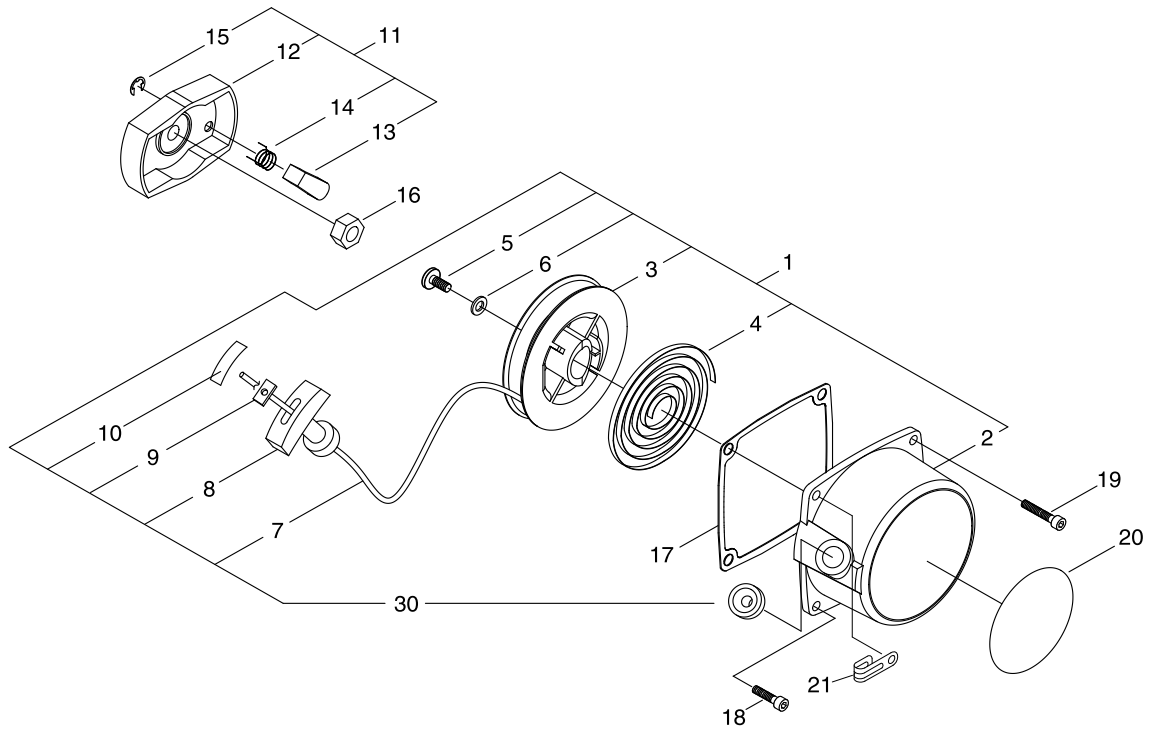
KEY	LV	PART NUMBER	Q'TY	DESCRIPTION	REMARKS	NOTE1	NOTE2
16		P021-033350	1	PISTON SET			
17	+	P021-031570	1	PISTON SET			
1	++	A100-000700	1	PISTON			
6	++	V307-000220	2	THRUST WASHER			
2	+	A101-000380	2	PISTON RING			
3	+	V608-000060	1	PISTON PIN			
4	+	V580-000110	2	SNAP RING			
5	+	V555-000090	1	NEEDLE BEARING			
15	+	V100-000470	1	GASKET CYLINDER			
7		A011-000860	1	CRANK SHAFT ASSY			
8		A056-000451	1	CLUTCH ASY			
9	+	A552-000121	1	HUB, CLUTCH			
10	+	A555-000130	4	CLUTCH SHOE			
11	+	A566-000150	4	SPRING			
12	+	A551-000120	1	PLATE			
13	+	A557-000120	2	CLUTCH BOLT			
14	+	V203-000880	2	SCREW FLAT			

## 4. MAGNETO



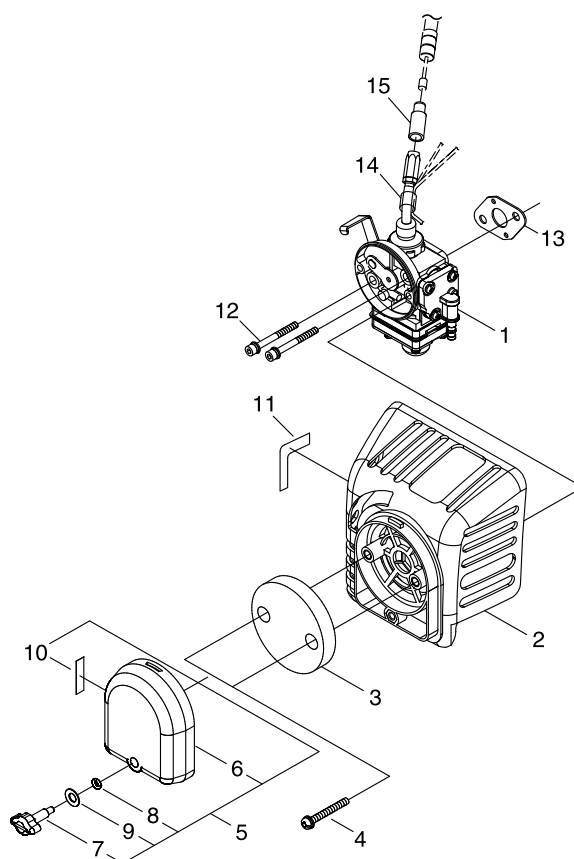
KEY	LV	PART NUMBER	Q'TY	DESCRIPTION	REMARKS	NOTE1	NOTE2
1		A409-000640	1	ROTOR			
2		93115-03010	1	KEY	3*10		
3		900503-00010	1	NUT 10 (3N *1.25)	3N10*P1.25		
4		900605-00010	1	WASHER, SPRING 10	10		
5		A411-000780	1	COIL			
6		A412-000030	1	CORD			
7		V475-004880	1	TUBE			
8		V135-000080	1	GROMMET			
9		V136-000060	1	GROMMET			
10		A427-000090	1	PLUG CAP			
11		A429-000110	1	PLUG CAP COVER			
12		V495-001440	1	COVER BAND			
13		V151-000050	1	SHIELD			
14		A426-000050	1	SPRING SPARK PLUG			
15		V352-000140	2	SPACER COIL			
16		91100-04024	2	BOLT			
17		900605-00004	2	WASHER, SPRING 4	4		
18		V302-000010	2	WASHER			
19		159010-10130	1	PLUG, SPARK (BMR-6A)	BMR-6A		

## 5. RECOIL STARTER



KEY	LV	PART NUMBER	Q'TY	DESCRIPTION	REMARKS	NOTE1	NOTE2
1		A051-001740	1	RECOIL STARETR			
2	+	A500-000840	1	STARTER CASE			
3	+	A506-000150	1	REEL			
4	+	A504-000060	1	RECOIL SPRING			
5	+	V253-000560	1	SCREW			
6	+	V303-000190	1	WASHER			
7	+	A509-000190	1	ROPE			
8	+	A511-000160	1	STARTER KNOB			
9	+	A522-000040	1	STOPPER			
10	+	X707-000050	1	TAPE			
30	+	177227-42030	1	GUIDE, ROPE			
11		A052-000370	1	STARTER PULLY ASSY			
12	+	A520-000150	1	STARTER PULLEY			
13	+	A514-000080	1	RATCHET			
14	+	V452-000520	1	RETURN SPRING			
15	+	V583-000140	1	RING			
16		V265-000170	1	NUT			
17		V105-000031	1	GASKET, STARTER			
18		V202-000581	3	BOLT, 4	M4X16 WSW		
19		V202-000310	1	BOLT ADHESIVE			
20		X504-007470	1	LABEL, BRAND	SHINDAIWA C350		
21		159112-22131	1	CLIP			

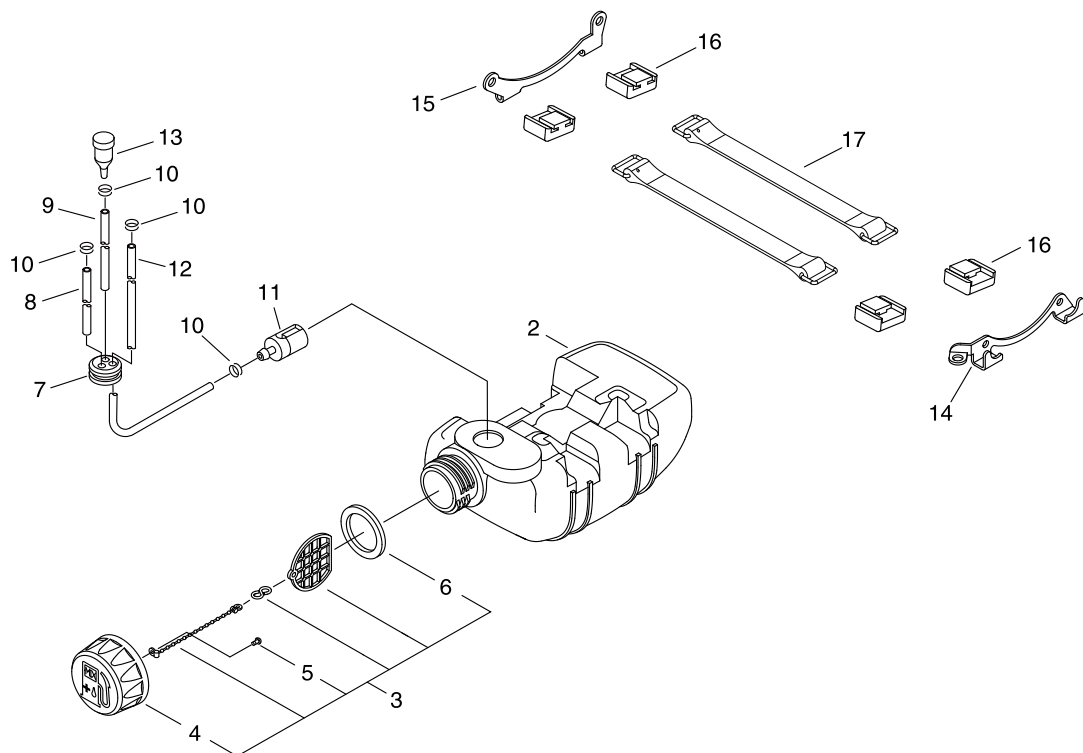
## 6. AIR CLEANER



KEY	LV	PART NUMBER	Q'TY	DESCRIPTION	REMARKS	NOTE1	NOTE2
1		A021-002490	1	CABURETOR ASSY			
2		A225-000490	1	CLEANER BODY			
3		A226-000650	1	FILTER			
4		91577-04025	2	SCREW PM SLPW			
5		A232-000820	1	CLEANER COVER COMP			
6	+	A232-000830	1	CLEANER COVER			
7	+	A235-000220	1	KNOB CLEANER COVER			
8	+	V581-000200	1	O RING			
9	+	V347-000030	1	CONE WASHER			
10	+	X506-000130	1	LABEL CHOKE			
11		X524-002460	1	LABEL CARBURETOR			
12		V203-000891	2	BOLT,5	M5X55 WSW B=50		
13		V103-000960	1	GASKET CARBURETOR			
14		V475-004760	1	PIPE			
15		A246-000020	1	CABLE CAP			

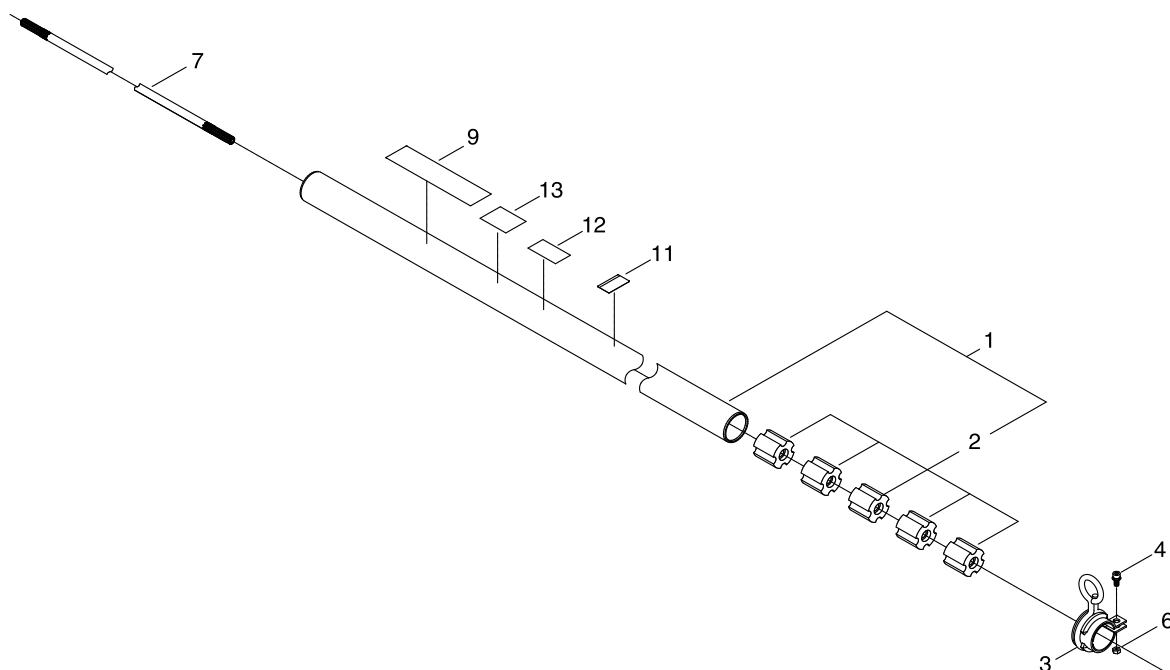


## 7. FUEL TANK



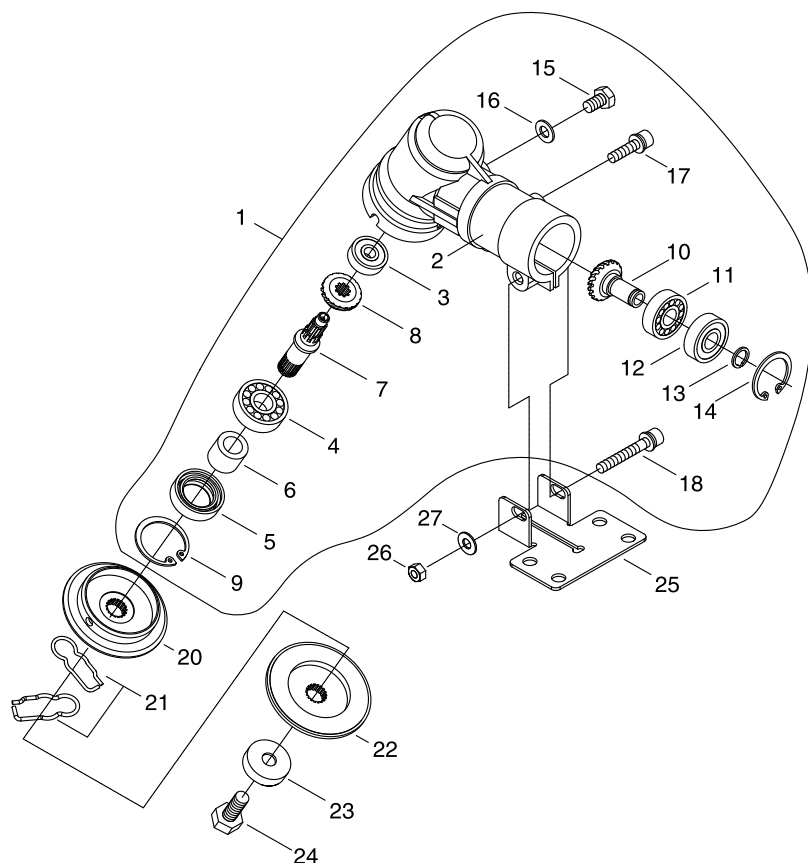
KEY	LV	PART NUMBER	Q'TY	DESCRIPTION	REMARKS	NOTE1	NOTE2
2		A350-001361	1	TANK, FUEL			
3		A033-000330	1	CAP, FUEL			
4	+	A355-000180	1	FUEL CAP			
5	+	91483-02506	1	SCREW TAPPING			
6	+	V107-000010	1	GASKET			
7		132115-55930	1	GROMMET, FUEL			
8		132010-49030	1	PIPE, 3*6*50	3*6*50 YL		
9		V471-000750	1	PIPE			
10		V490-000500	4	CLIP			
11		A369-000101	1	FUEL FILTER SUB ASSY			
12		V471-000760	1	PIPE			
13		A356-000050	1	VALVE, CHECK			
14		A393-000180	1	BRACKET S			
15		A393-000190	1	BRACKET M			
16		V420-002390	4	CUSHION			
17		A392-000070	2	BAND			

## 8. MAIN PIPE



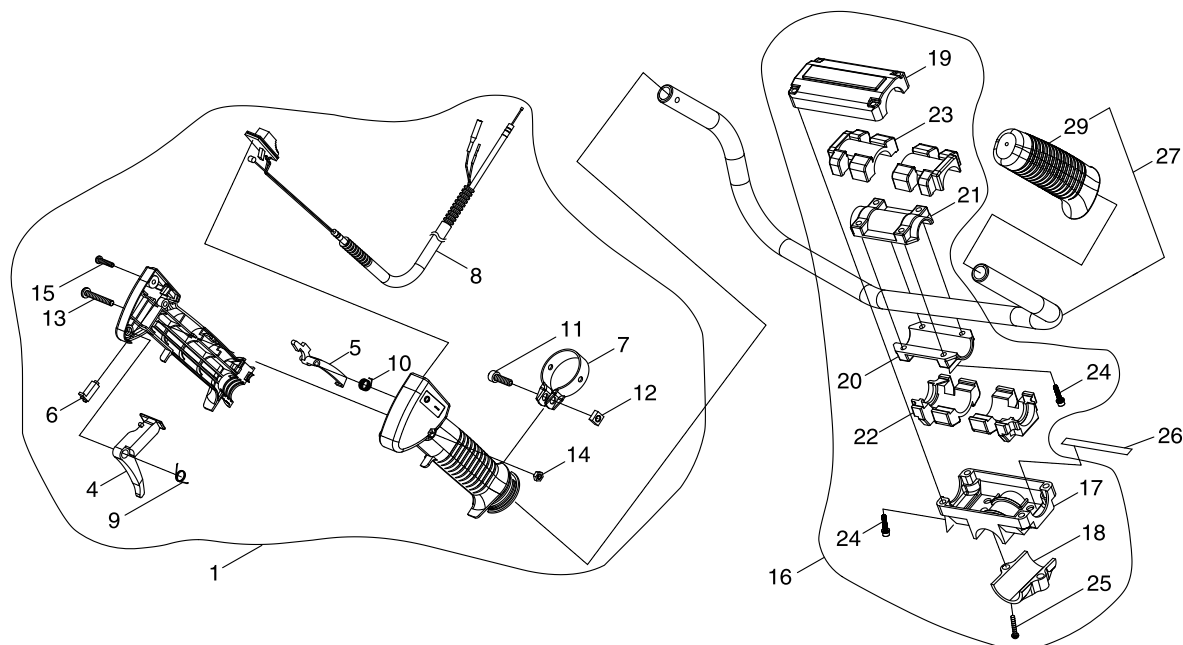
KEY	LV	PART NUMBER	Q'TY	DESCRIPTION	REMARKS	NOTE1	NOTE2
1		C050-002170	1	PIPE, MAIN			
2	+	C501-000070	5	BUSHING			
3		C063-000030	1	HANGER			
4		V203-000701	1	BOLT,5	M5X12 WSW		
6		900500-00005	1	NUT 5	5		
7		C504-000690	1	MAIN SHAFT			
9		890617-43130	1	LABEL,CAUTION			
11		X524-002380	1	HANDLE LABEL			
12		X517-000140	1	LABEL CAUTION			
13		X508-000360	1	LABEL DECIBEL			

## 9. GEAR CASE



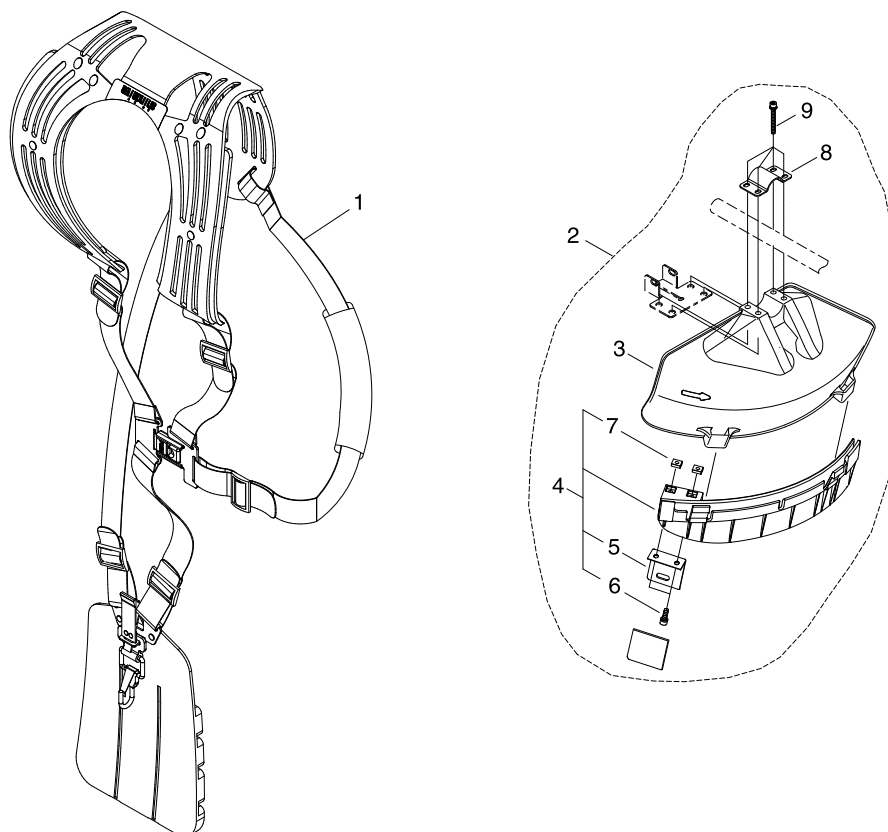
KEY	LV	PART NUMBER	Q'TY	DESCRIPTION	REMARKS	NOTE1	NOTE2
1		C051-000581	1	CASE,GEAR			
2	+	C531-000601	1	CASE,GEAR			
3	+	900802-06000	1	BEARING, BALL 6000	6000DDU(LLU)		
4	+	900810-06202	1	BEARING, BALL 6202	6202		
5	+	V513-000000	1	OIL SEAL			
6	+	V358-000130	1	COLLAR			
7	+	C534-000910	1	SHAFT, GEAR			
8	+	V651-000540	1	BEVEL GEAR			
9	+	92424-35000	1	SNAP RING			
10	+	V651-000520	1	PINION SET			
11	+	900800-06001	1	BEARING, BALL 6001			
12	+	900804-06001	1	BEARING, BALL 6001ZZ	6001ZZ		
13	+	900706-00012	1	CIRCLIP 12	WR-12		
14	+	92424-28000	1	SNAP RING			
15	+	V206-000250	1	BOLT			
16	+	V307-000230	1	GASKET			
17	+	V204-000740	1	BOLT SPW			
18	+	V204-000450	1	BOLT SPW			
20		C535-000770	1	HOLDER A			
21		V641-000140	2	PIN,SNAP			
22		C535-000800	1	HOLDER			
23		C535-000790	1	FIXTURE, BLADE			
24		V206-000530	1	BOLT,10			
25		C551-000110	1	LOWER CLAMP			
26		900500-00006	1	NUT 6	6		
27		900603-00006	1	WASHER 6	6.5*13*1		

## 10. HANDLE



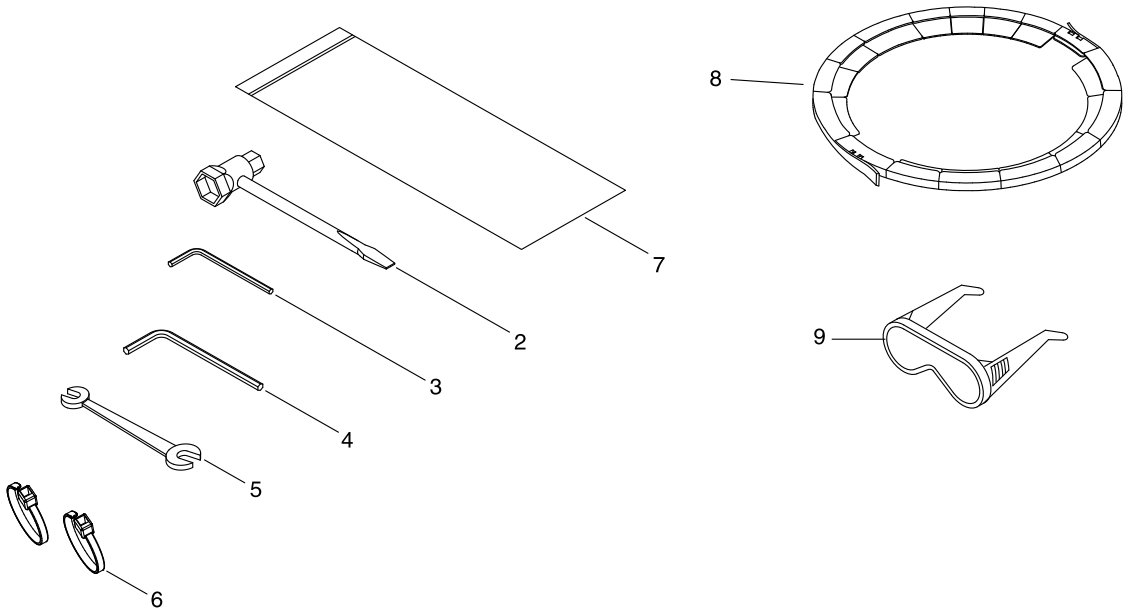
KEY	LV	PART NUMBER	Q'TY	DESCRIPTION	REMARKS	NOTE1	NOTE2
1		C044-000870	1	THROTTLE LEVER ASSY			
4	+	C450-000530	1	LEVER			
5	+	C460-000210	1	LOCK LEVER			
6	+	C461-000050	1	BUTTON			
7	+	V495-001510	1	CLAMP			
8	+	V043-000530	1	THROTTLE CABLE COMP			
9	+	V452-000530	1	RETURN SPRING			
10	+	V452-000540	1	SPRING			
11	+	900105-06020	1	BOLT, H.S. 6*20	6*20		
12	+	V264-000140	1	NUT			
13	+	91580-05035	1	SCREW PM			
14	+	V263-000190	1	NUT			
15	+	V252-000190	1	SCREW TAPPING			
16		P021-033251	1	BRACKET COMP			
17	+	C423-000710	1	HANDLE BRACKET			
18	+	C423-000730	1	LOWER CAP			
19	+	C423-000750	1	UPPER CAP			
20	+	C423-000760	1	LOWER CLAMP			
21	+	C423-000770	1	UPPER CLAMP			
22	+	V420-002460	2	LOWER CUSHION			
23	+	V420-002470	2	UPPER CUSHION			
24	+	V203-000631	8	BOLT,5	M5X25 WSW		
25	+	91142-06025	2	SCREW BUTTON			
26		A430-000000	1	EARTH CORD			
27		P021-035340	1	HANDLE SUB ASSY			
29	+	C403-000420	1	GRIP			

## 11. HARNESS



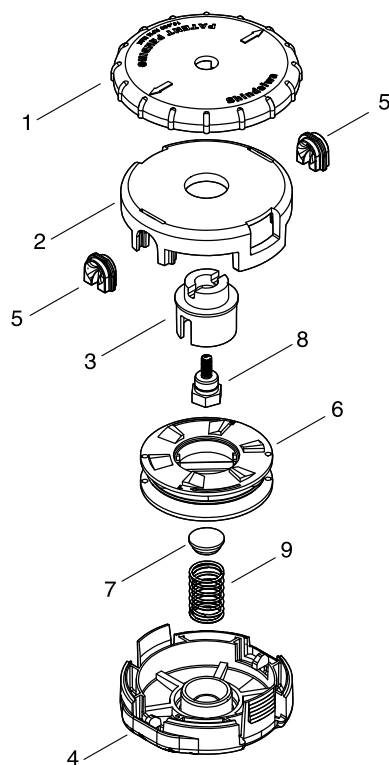
KEY	LV	PART NUMBER	Q'TY	DESCRIPTION	REMARKS	NOTE1	NOTE2
1		C062-000430	1	HARNESS ASSY			
2		P021-028931	1	GUARD SET			
3	+	C550-000430	1	GUARD			
4	+	P021-028451	1	SUB GUARD ASSY			
5	++	C554-000040	1	CUTTER			
6	++	91122-05016	2	BOLT	CB-5*16 SW		
7	++	V263-000130	2	NUT			
8	+	C551-000060	1	UPPER CLAMP			
9	+	V203-000611	4	BOLT,5	M5X45 WSW		

12. ACCESSORIES



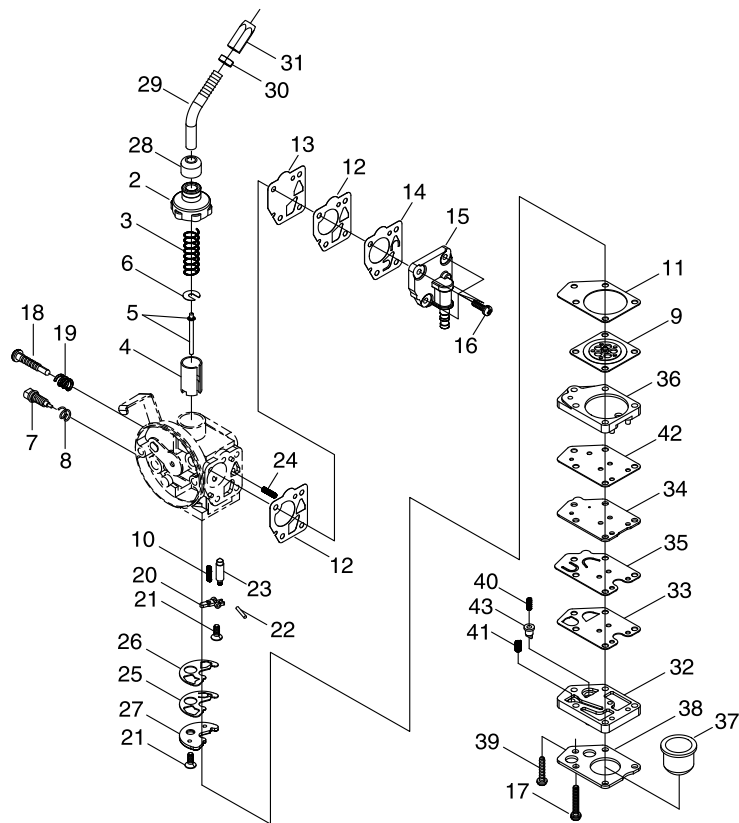
KEY	LV	PART NUMBER	Q'TY	DESCRIPTION	REMARKS	NOTE1	NOTE2
2		X602-000140	1	WRENCH 17X19			
3		X605-000100	1	TOOL,L WRENCH	4MM M5		
4		X605-000070	1	HEXA WRENCH 6MM			
5		X600-000020	1	SPANNER			
6		V495-001520	2	BAND			
7		X705-000180	1	TOOL BAG			
8		P021-034750	1	BLADE COVER			
9		X690-000080	1	GOGGLE	SI CHINA, Z87.1		

## 13. NYLON LINE CUTTER



KEY	LV	PART NUMBER	Q'TY	DESCRIPTION	REMARKS	NOTE1	NOTE2
		X047-000691	1	CUTTER,ASM LINE	SF450		
1	+	E415-000111	1	KNOB,REGULATOR			
2	+	X470-000211	1	DRUM,REEL			
3	+	X476-000021	1	HUB,REEL			
4	+	X472-000031	1	LID,DRUM			
5	+	X475-000050	2	EYELETS			
6	+	X473-000031	1	REEL,CORD			
7	+	V494-000280	1	SPRING CAP			
8	+	X471-000060	1	SHAFT,CORD	10MM BOLT LH		
9	+	V450-000871	1	SPRING,COMPRESSION			

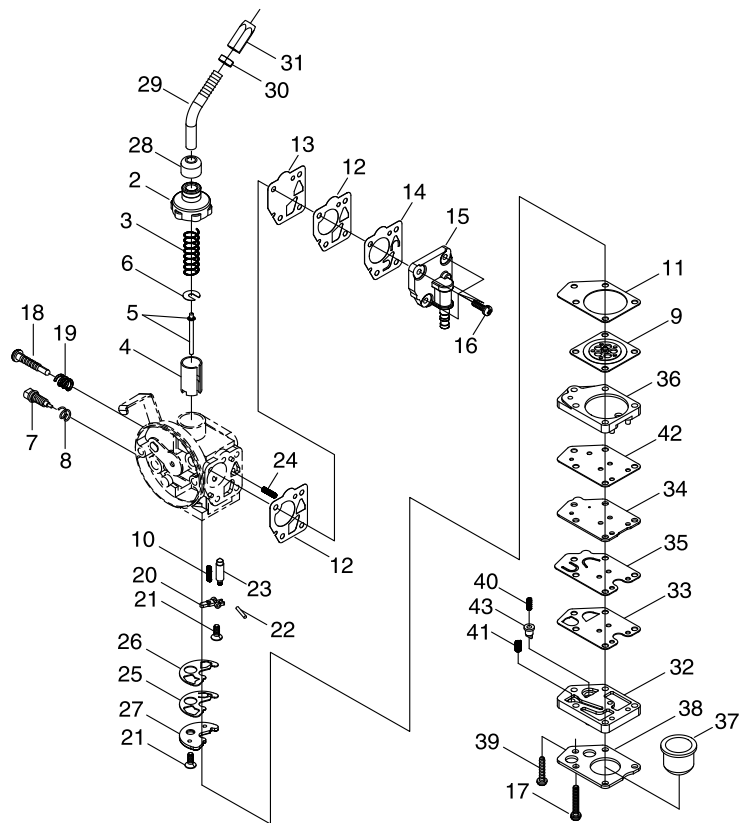
## 14. CARBURETOR



KEY	LV	PART NUMBER	Q'TY	DESCRIPTION	REMARKS	NOTE1	NOTE2
		A021-002490	1	CABURETOR ASSY			
2	+	P004-000700	1	COVER, TOP			
3	+	124114-50330	1	SPRING, THROTTLE			
4	+	P004-002900	1	THROTTLE VALVE			
5	+	P004-003310	1	JET NEEDLE			
6	+	124115-05530	1	SEAT, SPRING			
7	+	P004-003280	1	SCREW, MAIN ADJUST			
8	+	124355-21330	1	SPRING, ADJUSTMENT			
9	+	124341-49930	1	DIAPHRAGM			
10	+	124331-49930	1	SPRING, TENSION			
11	+	124358-49930	1	GASKET, DIAPHRAGM			
12	+	124363-21330	2	GASKET, PUMP DIAPH.			
13	+	P004-001430	1	DIAPHRAGM			
14	+	P004-002550	1	PUMP VALVE			
15	+	P004-003230	1	PUMP BODY			
16	+	P004-001030	4	SCREW			
17	+	900241-03020	4	SCREW 3*20	3*20		
18	+	124159-05530	1	SCREW, IDLE ADJUST			
19	+	124160-11120	1	SPRING, IDLE ADJUST			
20	+	124321-50430	1	LEVER, INLET CONTROL			
21	+	P004-001350	2	SCREW			
22	+	124332-21330	1	PIN, LEVER			
23	+	P004-003450	1	VALVE, NEEDLE			
24	+	124355-50130	2	SPRING, ADJUSTMENT			
25	+	P004-002500	1	CHECK VALVE			
26	+	124375-12710	1	GASKET			



## 14. CARBURETOR



KEY	LV	PART NUMBER	Q'TY	DESCRIPTION	REMARKS	NOTE1	NOTE2
27	+	P004-002950	1	PLATE			
28	+	P004-002180	1	CAP			
29	+	P004-002870	1	ADJUST PIPE			
30	+	124111-05810	1	NUT			
31	+	124158-46630	1	ADJUSTER, CABLE			
32	+	124379-49930	1	COVER, DIAPHRAGM			
33	+	124359-49930	1	PACKING			
34	+	124360-49930	1	PLATE			
35	+	P004-002530	1	CHECK VALVE			
36	+	P004-002570	1	PUMP BASE			
37	+	124380-12710	1	PUMP, PRIMING			
38	+	124342-49930	1	PLATE			
39	+	124310-49930	1	SCREW			
40	+	P004-002580	1	SPRING			
41	+	124355-50130	1	SPRING, ADJUSTMENT			
42	+	P004-002600	1	PACKING			
43	+	P004-002590	1	VALVE,CHECK			

**Index**

<b>Patrs Number</b>	<b>Key No.</b>	<b>Patrs Number</b>	<b>Key No.</b>	<b>Patrs Number</b>	<b>Key No.</b>
124111-05810	14 - 30	91113-04016	2 - 22	A426-000050	4 - 14
124114-50330	14 - 3	91122-05016	11 - 6	A427-000090	4 - 10
124115-05530	14 - 6	91122-05025	1 - 3	A429-000110	4 - 11
124158-46630	14 - 31	91142-06025	10 - 25	A430-000000	10 - 26
124159-05530	14 - 18	91483-02506	7 - 5	A500-000840	5 - 2
124160-11120	14 - 19	91577-04025	6 - 4	A504-000060	5 - 4
124310-49930	14 - 39	91580-05035	10 - 13	A506-000150	5 - 3
124321-50430	14 - 20	92424-28000	9 - 14	A509-000190	5 - 7
124331-49930	14 - 10	92424-32000	2 - 13	A511-000160	5 - 8
124332-21330	14 - 22	92424-35000	9 - 9	A514-000080	5 - 13
124341-49930	14 - 9	93115-03010	4 - 2	A520-000150	5 - 12
124342-49930	14 - 38	A011-000860	3 - 7	A522-000040	5 - 9
124355-21330	14 - 8	A021-002490	6 - 1	A551-000120	3 - 12
124355-50130	14 - 24	A021-002490	14 -	A552-000121	3 - 9
124355-50130	14 - 41	A030-000230	1 - 9	A555-000130	3 - 10
124358-49930	14 - 11	A033-000330	7 - 3	A556-001480	2 - 15
124359-49930	14 - 33	A051-001740	5 - 1	A557-000120	3 - 13
124360-49930	14 - 34	A052-000370	5 - 11	A566-000150	3 - 11
124363-21330	14 - 12	A056-000451	3 - 8	A575-000400	2 - 28
124375-12710	14 - 26	A100-000700	3 - 1	A575-000410	2 - 29
124379-49930	14 - 32	A101-000380	3 - 2	A575-000420	2 - 31
124380-12710	14 - 37	A120-000082	2 - 2	A575-000430	2 - 32
132010-49030	7 - 8	A120-001120	2 - 6	C044-000870	10 - 1
132115-55930	7 - 7	A130-001371	1 - 1	C050-002170	8 - 1
159010-10130	4 - 19	A160-001600	2 - 23	C051-000581	9 - 1
159112-22131	5 - 21	A162-000190	2 - 21	C062-000430	11 - 1
177227-42030	5 - 30	A163-000020	2 - 25	C063-000030	8 - 3
890617-43130	8 - 9	A172-002310	2 - 11	C403-000420	10 - 29
900105-05025	2 - 33	A175-000180	2 - 36	C423-000710	10 - 17
900105-05030	2 - 10	A200-000640	1 - 5	C423-000730	10 - 18
900105-06020	10 - 11	A225-000490	6 - 2	C423-000750	10 - 19
900105-06025	1 - 13	A226-000650	6 - 3	C423-000760	10 - 20
900241-03020	14 - 17	A232-000820	6 - 5	C423-000770	10 - 21
900330-50100	2 - 9	A232-000830	6 - 6	C450-000530	10 - 4
900500-00005	8 - 6	A235-000220	6 - 7	C460-000210	10 - 5
900500-00006	9 - 26	A246-000020	6 - 15	C461-000050	10 - 6
900503-00010	4 - 3	A300-001130	1 - 10	C501-000070	8 - 2
900600-00005	2 - 35	A310-000210	1 - 11	C504-000690	8 - 7
900603-00006	9 - 27	A320-000770	2 - 27	C531-000601	9 - 2
900605-00004	4 - 17	A350-001361	7 - 2	C534-000910	9 - 7
900605-00005	2 - 34	A355-000180	7 - 4	C535-000770	9 - 20
900605-00010	4 - 4	A356-000050	7 - 13	C535-000790	9 - 23
900706-00012	9 - 13	A369-000101	7 - 11	C535-000800	9 - 22
900800-06001	9 - 11	A392-000070	7 - 17	C550-000430	11 - 3
900802-06000	9 - 3	A393-000180	7 - 14	C551-000060	11 - 8
900802-06002	2 - 12	A393-000190	7 - 15	C551-000110	9 - 25
900804-06001	9 - 12	A409-000640	4 - 1	C554-000040	11 - 5
900810-06202	9 - 4	A411-000780	4 - 5	E415-000111	13 - 1
91100-04024	4 - 16	A412-000030	4 - 6	P004-000700	14 - 2

**Index**

<b>Patrs Number</b>	<b>Key No.</b>	<b>Patrs Number</b>	<b>Key No.</b>	<b>Patrs Number</b>	<b>Key No.</b>
P004-001030	14 - 16	V203-000701	8 - 4	V608-000060	3 - 3
P004-001350	14 - 21	V203-000820	1 - 14	V641-000140	9 - 21
P004-001430	14 - 13	V203-000880	3 - 14	V651-000520	9 - 10
P004-002180	14 - 28	V203-000891	6 - 12	V651-000540	9 - 8
P004-002500	14 - 25	V204-000450	9 - 18	X047-000691	13 -
P004-002530	14 - 35	V204-000740	9 - 17	X470-000211	13 - 2
P004-002550	14 - 14	V206-000250	9 - 15	X471-000060	13 - 8
P004-002570	14 - 36	V206-000530	9 - 24	X472-000031	13 - 4
P004-002580	14 - 40	V252-000190	10 - 15	X473-000031	13 - 6
P004-002590	14 - 43	V253-000560	5 - 5	X475-000050	13 - 5
P004-002600	14 - 42	V263-000130	11 - 7	X476-000021	13 - 3
P004-002870	14 - 29	V263-000180	1 - 8	X504-007460	2 - 38
P004-002900	14 - 4	V263-000190	10 - 14	X504-007470	5 - 20
P004-002950	14 - 27	V264-000140	10 - 12	X506-000130	6 - 10
P004-003230	14 - 15	V265-000170	5 - 16	X508-000360	8 - 13
P004-003280	14 - 7	V302-000010	4 - 18	X517-000140	8 - 12
P004-003310	14 - 5	V303-000190	5 - 6	X524-002380	8 - 11
P004-003450	14 - 23	V307-000220	3 - 6	X524-002460	6 - 11
P021-028451	11 - 4	V307-000230	9 - 16	X600-000020	12 - 5
P021-028931	11 - 2	V347-000030	6 - 9	X602-000140	12 - 2
P021-030051	2 - 5	V352-000140	4 - 15	X605-000070	12 - 4
P021-031570	3 - 17	V358-000130	9 - 6	X605-000100	12 - 3
P021-033251	10 - 16	V420-002390	7 - 16	X690-000080	12 - 9
P021-033350	3 - 16	V420-002460	10 - 22	X705-000180	12 - 7
P021-033432	2 - 1	V420-002470	10 - 23	X707-000050	5 - 10
P021-034750	12 - 8	V450-000871	13 - 9		
P021-035340	10 - 27	V452-000520	5 - 14		
V043-000530	10 - 8	V452-000530	10 - 9		
V100-000470	1 - 2	V452-000540	10 - 10		
V100-000470	3 - 15	V471-000750	7 - 9		
V101-000020	2 - 24	V471-000760	7 - 12		
V103-000950	1 - 6	V475-004760	6 - 14		
V103-000960	6 - 13	V475-004880	4 - 7		
V104-001340	1 - 12	V485-001640	2 - 18		
V105-000031	5 - 17	V490-000500	7 - 10		
V107-000010	7 - 6	V494-000280	13 - 7		
V135-000080	4 - 8	V495-001440	4 - 12		
V136-000060	4 - 9	V495-001510	10 - 7		
V151-000050	4 - 13	V495-001520	12 - 6		
V202-000310	5 - 19	V508-000050	2 - 4		
V202-000581	5 - 18	V508-000050	2 - 8		
V203-000351	2 - 19	V513-000000	9 - 5		
V203-000351	2 - 30	V555-000090	3 - 5		
V203-000541	2 - 26	V580-000110	3 - 4		
V203-000581	2 - 20	V581-000200	6 - 8		
V203-000591	2 - 37	V583-000140	5 - 15		
V203-000611	11 - 9	V583-000181	2 - 17		
V203-000631	1 - 7	V592-000290	2 - 3		
V203-000631	10 - 24	V592-000290	2 - 7		

# YAMABIKO CORPORATION

7-2 SUEHIROCHO 1-CHOME, OHME, TOKYO 198-8760, JAPAN  
PHONE: 81-428-32-6118. FAX: 81-428-32-6145.

**shindaiwa<sup>®</sup>**



13Db  
No. 05-135