

**shindaiwa®**

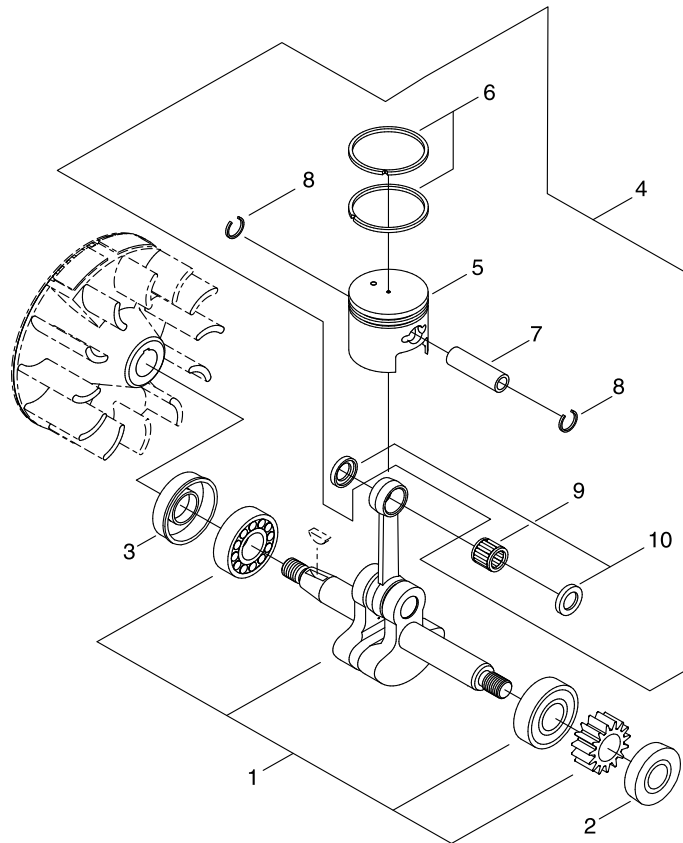
# **PARTS CATALOG**

## **BRUSHCUTTER C2510/SF375(37)**

**37000001 -**

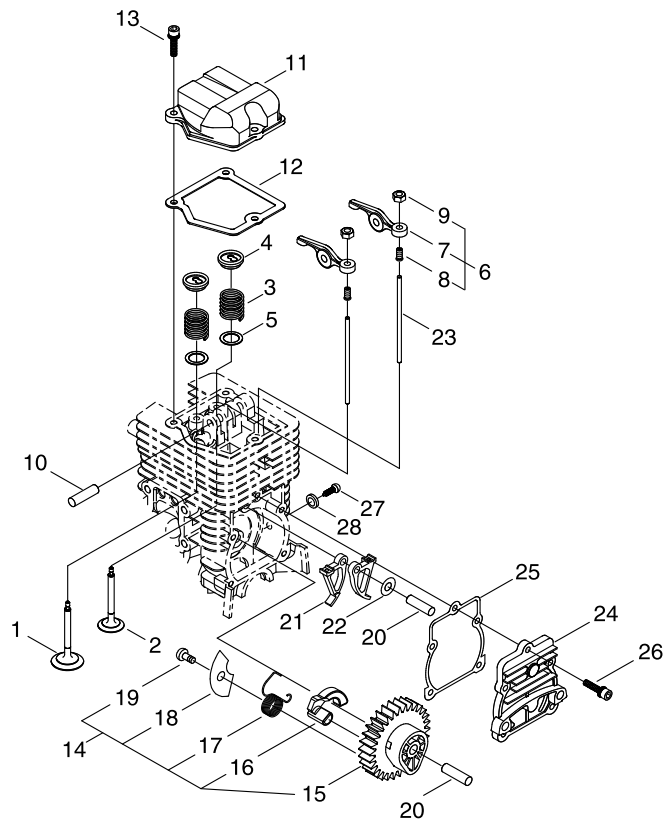
P016-001460-13Bb

# 1. CRANK SHAFT, PISTON



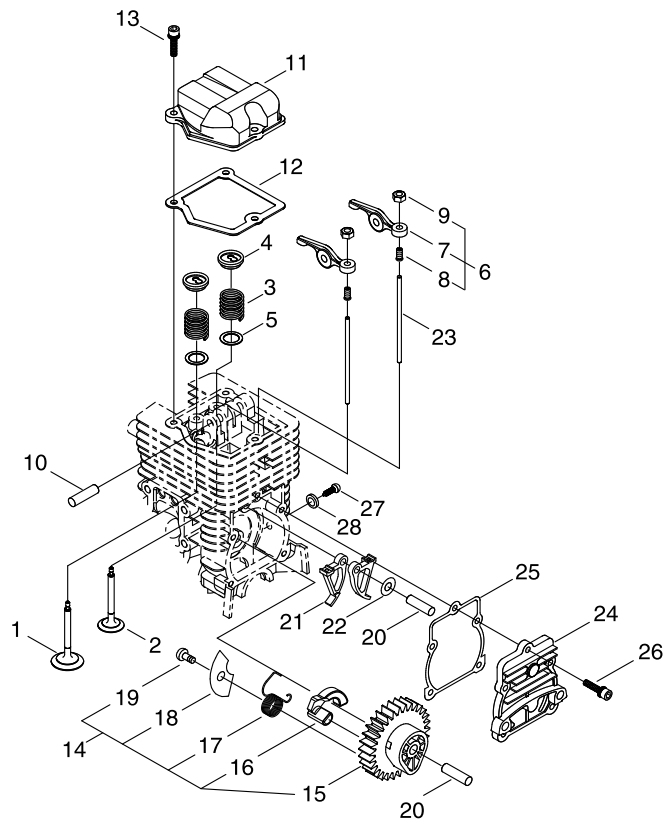
KEY	LV	PART NUMBER	Q'TY	DESCRIPTION	REMARKS	NOTE1	NOTE2
1		A011-000630	1	CRANKSHAFT COMP			
2		V505-000020	1	SEAL,OIL 12	12*22*7		
3		V505-000120	1	OIL SEAL			
4		P021-033930	1	PISTON KIT			
5	+	A100-000710	1	PISTON			
6	+	A101-000390	2	PISTON RING			
7	+	V607-000040	1	PISTON PIN			
8	+	V580-000090	2	SNAP RING			
9	+	V554-000010	1	NEEDLE BEARING			
10	+	V392-000020	2	THRUST WASHER			

## 2. VALVE



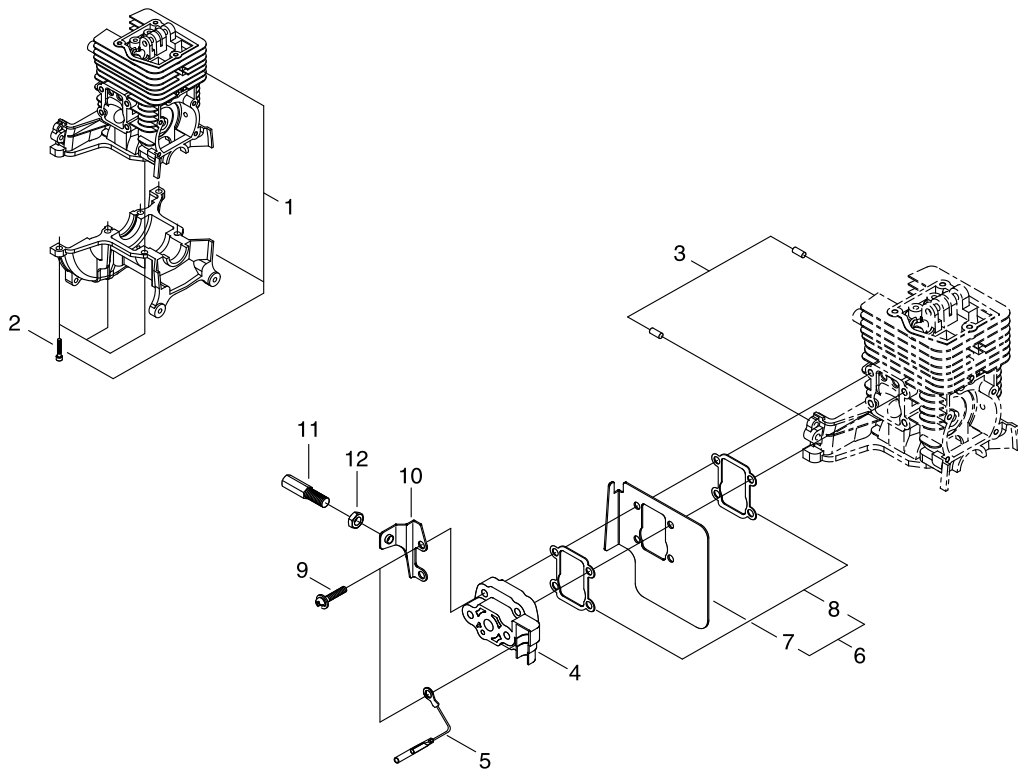
KEY	LV	PART NUMBER	Q'TY	DESCRIPTION	REMARKS	NOTE1	NOTE2
1		A603-000040	1	INTAKE VALVE			
2		A603-000050	1	EXHAUST VALVE			
3		A604-000010	2	VALVE SPRING			
4		A606-000040	2	RETAINER			
5		V392-000030	2	PLATE			
6		A610-000050	2	ROCKER ARM ASSY			
7	+	A610-000060	2	ROCKER ARM			
8	+	A613-000010	2	ADJUST SCREW			
9	+	V263-000230	2	NUT			
10		V623-000040	1	ROLLER	NTN F5*31.8		
11		A137-000020	1	ROCKER ARM COVER			
12		V109-000120	1	GASKET			
13		V202-000350	3	BOLT-SPW	M4-14		
14		A063-000000	1	CAM GEAR ASSY			
15	+	A622-000000	1	CAM GEAR			
16	+	A146-000000	1	WEIGHT			
17	+	V452-000610	1	COIL SPRING			
18	+	C603-000240	1	PLATE			
19	+	91449-04006	1	SCREW,TAPPING			
20		V623-000030	2	ROLLER	5*L29.8		
21		A600-000001	2	LIFTER			
22		V303-000220	1	WASHER	T0.3		
23		A607-000011	2	ROD,PUSH			
24		A136-000030	1	COVER,CAM GEAR			
25		V109-000110	1	GASKET			
26		V202-000350	5	BOLT-SPW	M4-14		

## 2. VALVE



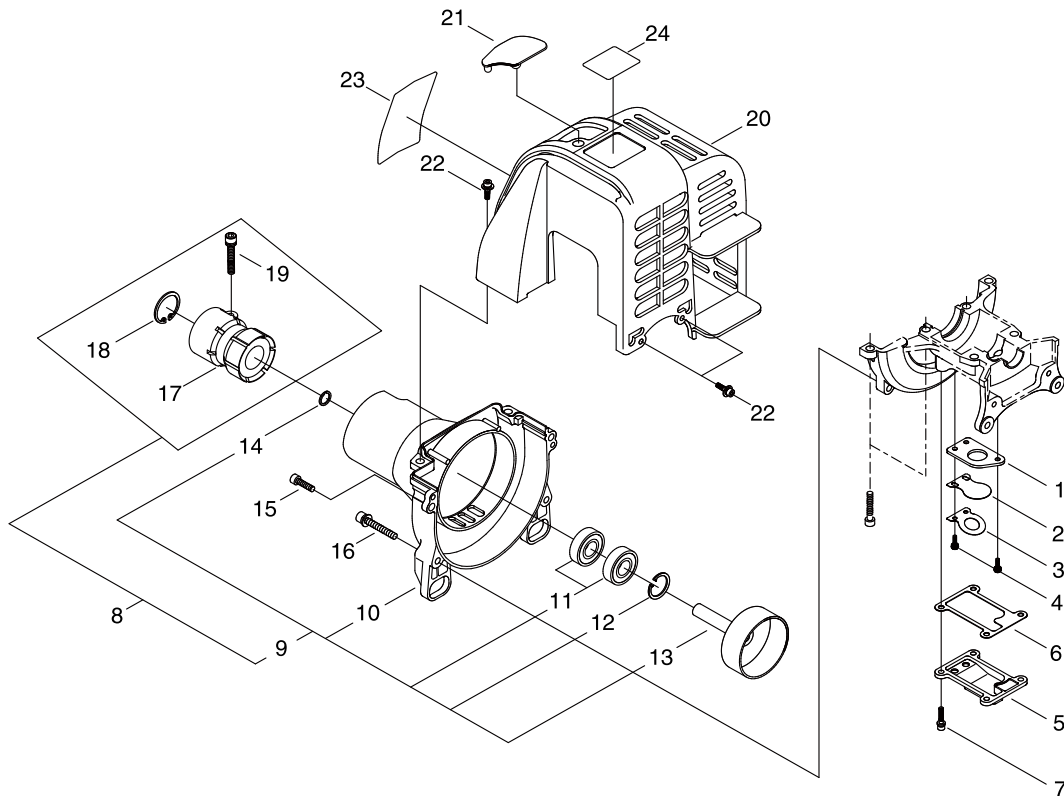
KEY	LV	PART NUMBER	Q'TY	DESCRIPTION	REMARKS	NOTE1	NOTE2
27		V253-000540	1	SCREW			
28		V303-000120	1	COLLAR	5.5,10 T=2		

### 3. CYLINDER, CRANKCASE



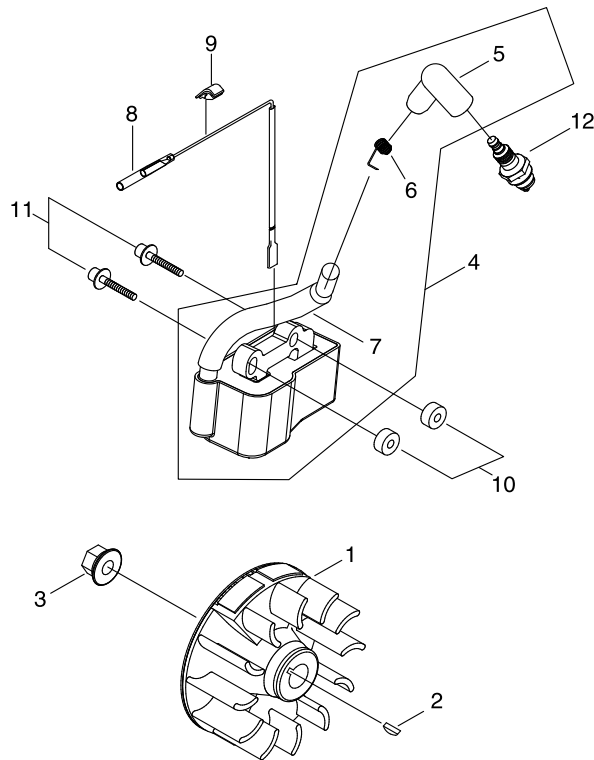
KEY	LV	PART NUMBER	Q'TY	DESCRIPTION	REMARKS	NOTE1	NOTE2
1		P021-027391	1	CYLINDER BLOCK SET			
2	+	900105-05016	6	BOLT, H.S. 5*16	5*16		
3		900330-40080	2	PIN F 4*8	4*8		
4		A024-000050	1	REED VALVE			
5		V485-001260	1	LEAD WIRE	L110		
6		A209-000250	1	BAFFLE PLATE COMP			
7	+	A209-000260	1	BAFFLE PLATE			
8	+	V103-001130	2	GASKET			
9		91582-05022	4	SCREW,PM-SPW	M5*22		
10		V152-002250	1	BRACKET THROTTLE			
11		C486-000030	1	CABLE ADJUSTER			
12		92018-06000	1	NUT			

## 4. FAN CASE



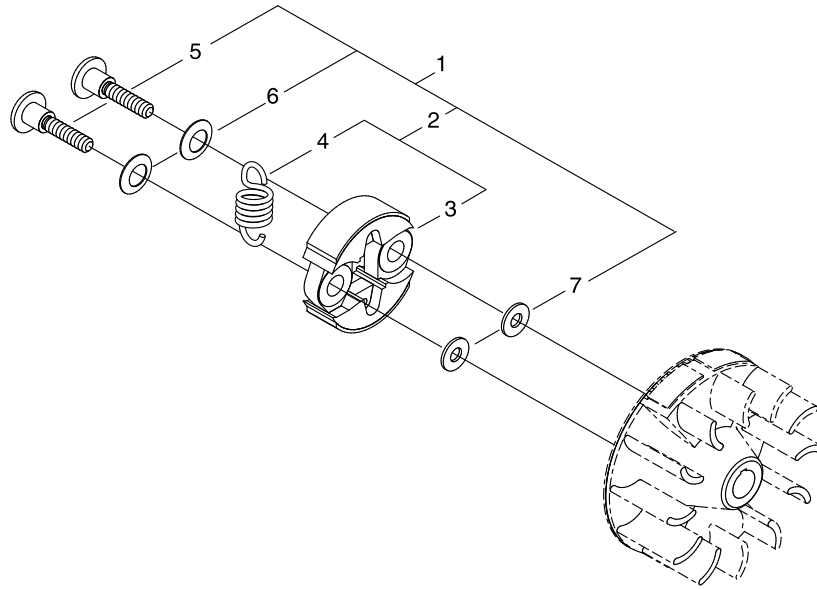
KEY	LV	PART NUMBER	Q'TY	DESCRIPTION	REMARKS	NOTE1	NOTE2
1		A200-000750	1	INSULATOR			
2		A211-000030	1	VALVE, REED			
3		A212-000040	1	STOPPER			
4		91341-03010	3	SCREW-SW	M3*10		
5		A123-000000	1	COVER			
6		V109-000100	1	GASKET			
7		V202-000340	4	BOLT-SPW	M4*12		
8		P021-027520	1	FAN COVER ASSY			
9	+	P021-028300	1	FAN COVER COMP			
10	++	A172-001830	1	COVER, FAN			
11	++	900804-06000	2	BEARING, BALL	6000ZZ		
12	++	92424-26000	1	SNAP RING			
13	++	A556-000610	1	CLUTCH DRUM			
14	++	900706-00010	1	CIRCLIP 10	WR-10		
17	+	A575-000190	1	JOINT			
18	+	92424-40000	1	SNAP RING			
19	+	V203-000620	1	BOLT-SW			
15		900105-05016	2	BOLT, H.S. 5*16	5*16		
16		V203-000611	2	BOLT, 5	M5X45 WSW		
20		A160-001871	1	COVER, CYLINDER			
21		A429-000130	1	GROMMET			
22		91113-04016	4	BOLT	M-4*16 SW,W		
23		X504-006761	1	LABEL, BRAND			
24		X543-004130	1	LABEL, MODEL	C2510		

## 5. MAGNETO



KEY	LV	PART NUMBER	Q'TY	DESCRIPTION	REMARKS	NOTE1	NOTE2
1		A409-000740	1	ROTOR			
2		93115-03010	1	KEY	3*10		
3		V265-000140	1	NUT			
4		A411-000890	1	COIL ASSY			
5	+	A427-000110	1	PLUG CAP			
6	+	A426-000070	1	COIL SPRING			
7	+	V475-005160	1	TUBE			
8		V485-001910	1	LEAD WIRE			
9		V136-000100	1	GROMMET			
10		V322-000040	2	INSULATOR			
11		V202-000360	2	BOLT-SLPW	M4*26		
12		A425-000040	1	SPARKPLUG	NGK CMR5H		

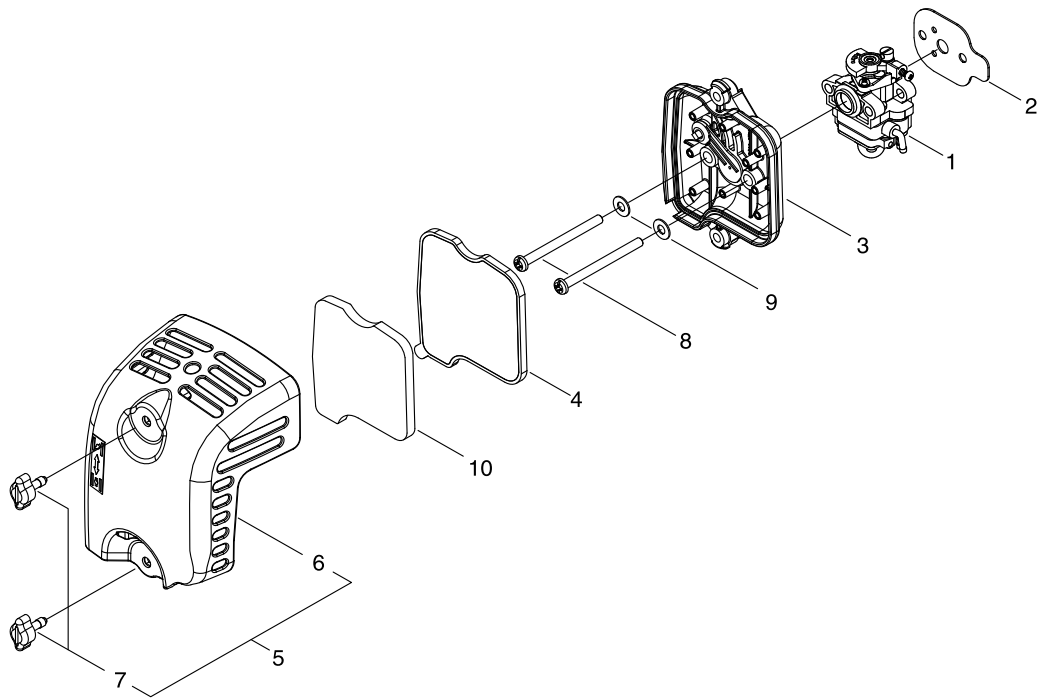
## 6. CLUTCH



KEY	LV	PART NUMBER	Q'TY	DESCRIPTION	REMARKS	NOTE1	NOTE2
1		A056-000520	1	CLUTCH SET			
2	+	A056-000530	1	CLUTCH ASY			
3	++	A553-000060	2	CLUTCH SHOE			
4	++	A566-000200	1	COIL SPRING			
5	+	A557-000040	2	BOLT			
6	+	V346-000040	2	SPRING PLATE			
7	+	V304-000150	2	WASHER			

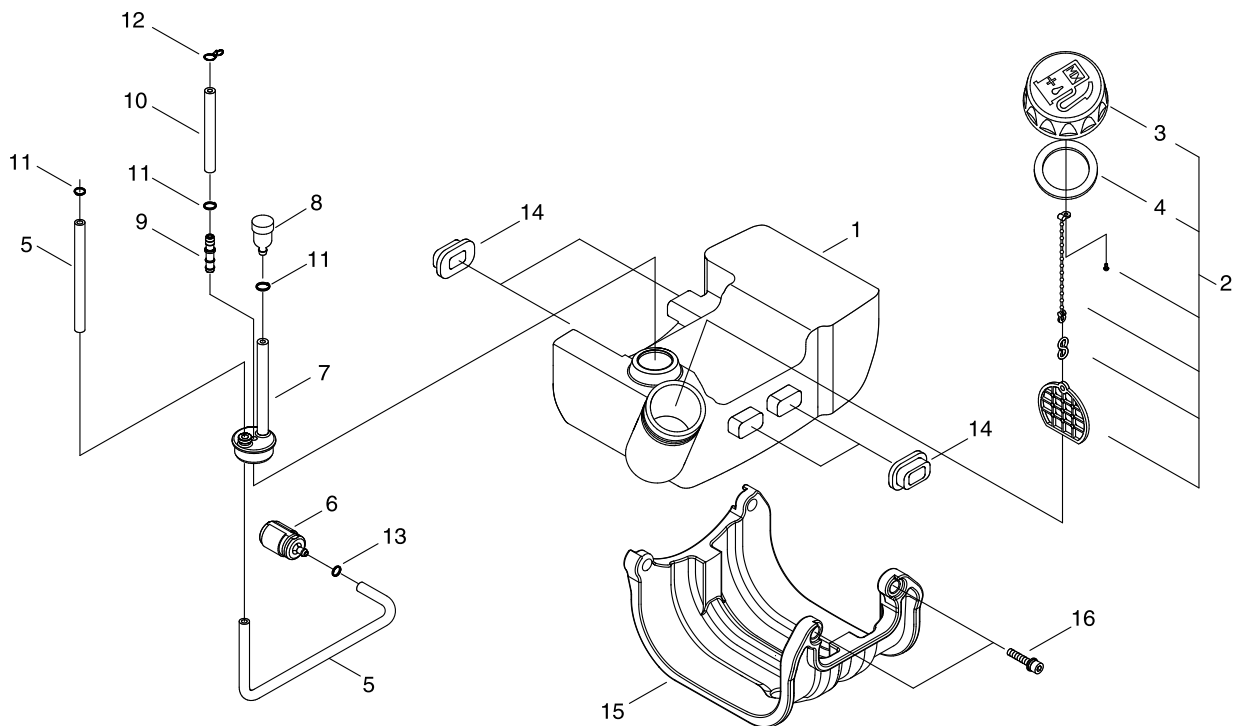


## 7. AIR CLEANER



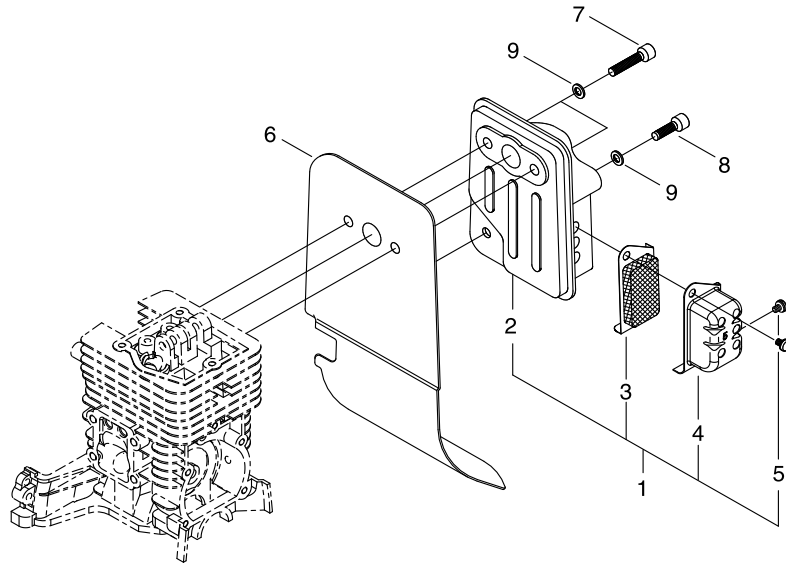
KEY	LV	PART NUMBER	Q'TY	DESCRIPTION	REMARKS	NOTE1	NOTE2
1		A021-002740	1	CARBURETOR ASSY			
2		V103-001140	1	GASKET			
3		A023-000300	1	CASE,CLEANER			
4		A226-000690	1	FILTER			
5		P021-028562	1	CLEANER COVER ASSY			
6	+	A232-000912	1	LID,CLEANER	ID_1760		
7	+	V299-000570	2	KNOB,FASTENER			
8		91581-05060	2	SCREW,PM			
9		900603-00005	2	WASHER 5	5.5*12*0.8		
10		A226-000700	1	PREFILTER			

## 8. FUEL TANK



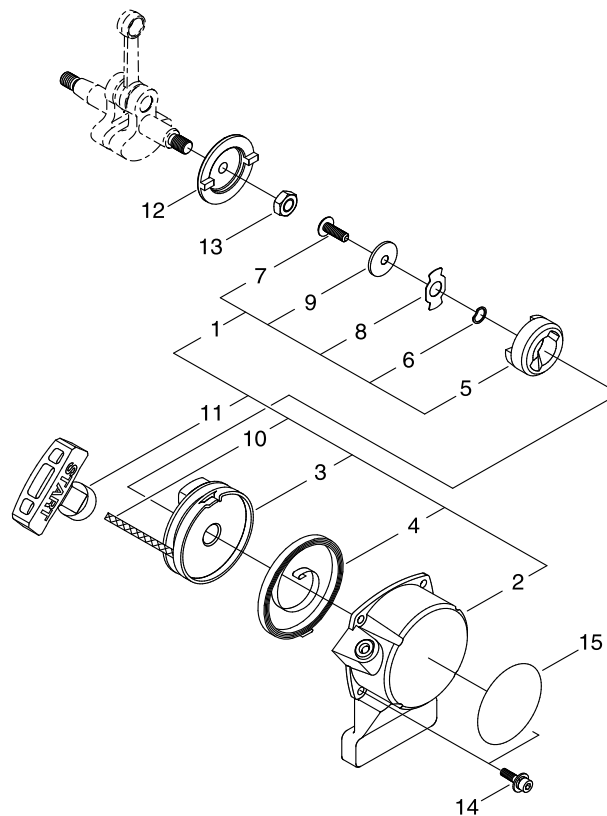
KEY	LV	PART NUMBER	Q'TY	DESCRIPTION	REMARKS	NOTE1	NOTE2
1		A350-001010	1	FUEL TANK			
2		A033-000330	1	CAP,FUEL			
3	+	A355-000180	1	FUEL CAP			
4	+	V107-000010	1	GASKET			
5		V471-002350	1	PIPE			
6		A369-000070	1	FUEL FILTER			
7		V470-000880	1	GROMMET			
8		A356-000050	1	VALVE,CHECK			
9		V186-000210	1	JOINT			
10		V471-002360	1	PIPE			
11		V490-000500	3	CLIP			
12		V490-000510	1	CLIP			
13		V490-000500	1	CLIP			
14		V420-002220	4	TANK CUSHION			
15		A175-000220	1	TANK GUARD			
16		V203-000351	2	BOLT,5	M5X20 WSW		

## 9. MUFFLER



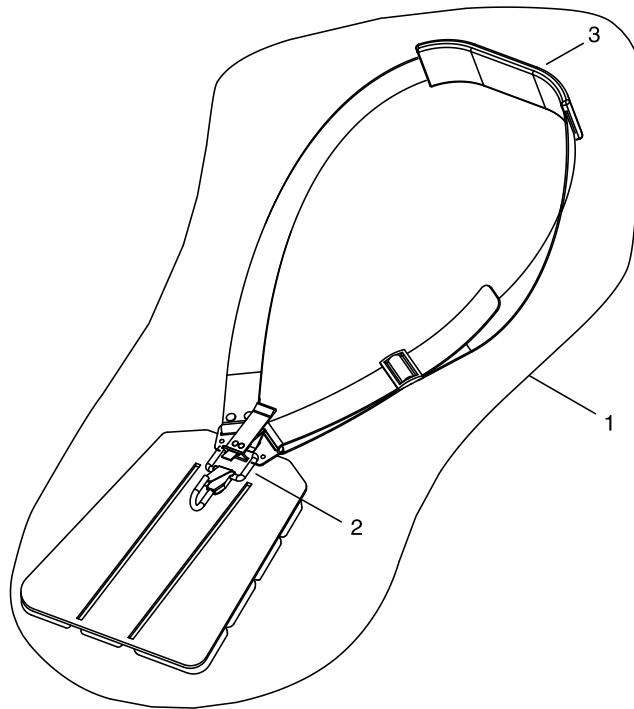
KEY	LV	PART NUMBER	Q'TY	DESCRIPTION	REMARKS	NOTE1	NOTE2
1		A030-000342	1	MUFFLER ASY			
2	+	A300-001251	1	MUFFLER, EXHAUST			
3	+	A310-000390	1	SCREEN, ARRESTOR			
4	+	A313-001391	1	GUIDE, EXHAUST			
5	+	91572-04006	2	SCREW, PM-SW			
6		V104-001431	1	GASKET, EXHAUST			
7		V203-001000	2	BOLT			
8		900105-05016	1	BOLT, H.S. 5*16	5*16		
9		900600-00005	3	WASHER 5	5		

## 10. RECOIL STARTER



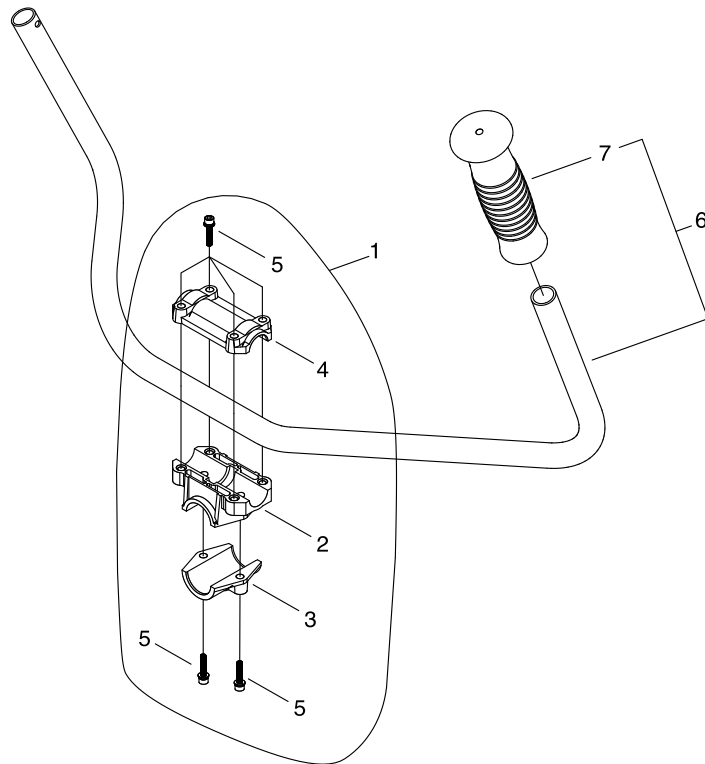
KEY	LV	PART NUMBER	Q'TY	DESCRIPTION	REMARKS	NOTE1	NOTE2
1		A051-001481	1	STARTER,RECOIL ASY			
2	+	A500-000610	1	STARTER CASE			
3	+	A506-000130	1	REEL			
4	+	A504-000050	1	RECOIL SPRING			
5	+	A518-000020	1	DOG			
6	+	V346-000030	1	WAVE WASHER			
7	+	V253-000260	1	SCREW			
8	+	A606-000000	1	RETAINER			
9	+	V303-000110	1	WASHER			
10	+	A509-000060	1	ROPE			
11	+	A511-000090	1	KNOB			
12		A520-000080	1	STARTER PULLEY			
13		900503-00008	1	NUT	3N8*P1.0		
14		91113-04016	2	BOLT	M-4*16 SW,W		
15		X504-006750	1	LABEL,BRAND			

## 11. HARNESS



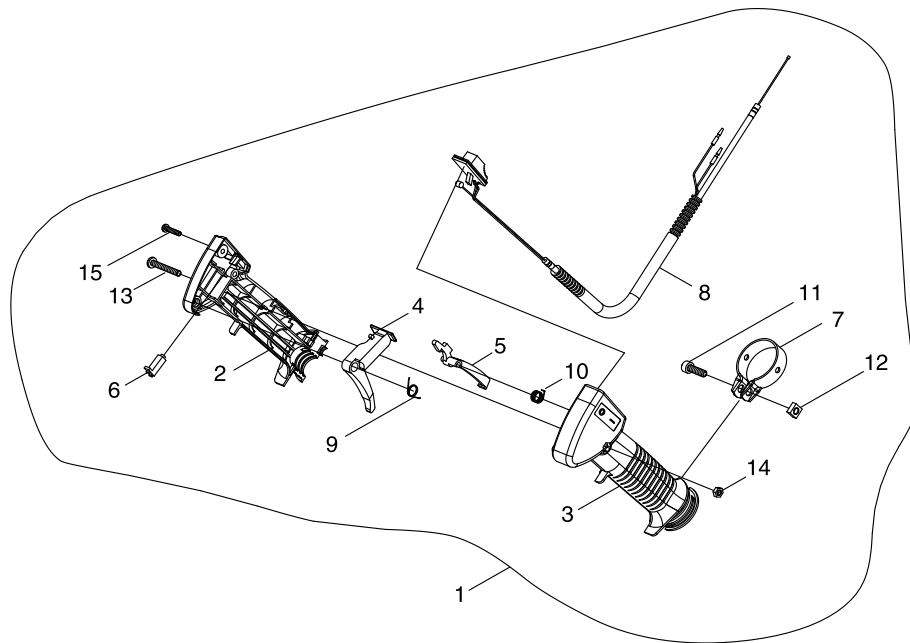
KEY	LV	PART NUMBER	Q'TY	DESCRIPTION	REMARKS	NOTE1	NOTE2
1		C062-000400	1	STRAP ASSY			
2	+	C649-000200	1	HOOK			
3	+	C644-000080	1	PROTECTOR			

## 12. HANDLE



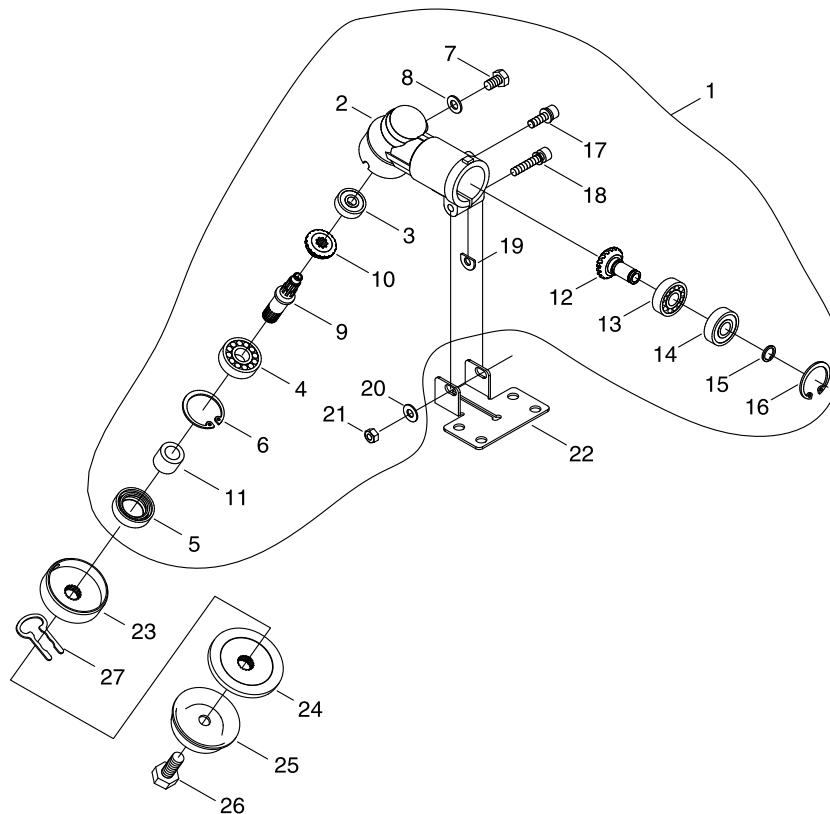
KEY	LV	PART NUMBER	Q'TY	DESCRIPTION	REMARKS	NOTE1	NOTE2
1		P021-024921	1	BRACKET ASSY			
2	+	C423-000440	1	BRACKET			
3	+	C423-000450	1	LOWER CAP			
4	+	C423-000520	1	UPPER CAP			
5	+	V203-000631	6	BOLT,5	M5X25 WSW		
6		P021-035150	1	HANDLE SUB ASSY			
7	+	C403-000210	1	GRIP			

## 13. THROTTLE



KEY	LV	PART NUMBER	Q'TY	DESCRIPTION	REMARKS	NOTE1	NOTE2
1		C044-000670	1	THROTTLE LEVER			
2	+	C401-000210	1	BODY RIGHT			
3	+	C401-000220	1	BODY LEFT			
4	+	C450-000530	1	LEVER			
5	+	C460-000210	1	LOCK LEVER			
6	+	C461-000050	1	BUTTON			
7	+	V495-001510	1	CLAMP			
8	+	V043-000430	1	THROTTLE CABLE COMP			
9	+	V452-000530	1	RETURN SPRING			
10	+	V452-000540	1	SPRING			
11	+	900105-06020	1	BOLT, H.S. 6*20	6*20		
12	+	V264-000140	1	NUT			
13	+	91580-05035	1	SCREW PM			
14	+	V263-000190	1	NUT			
15	+	V252-000190	1	SCREW TAPPING			

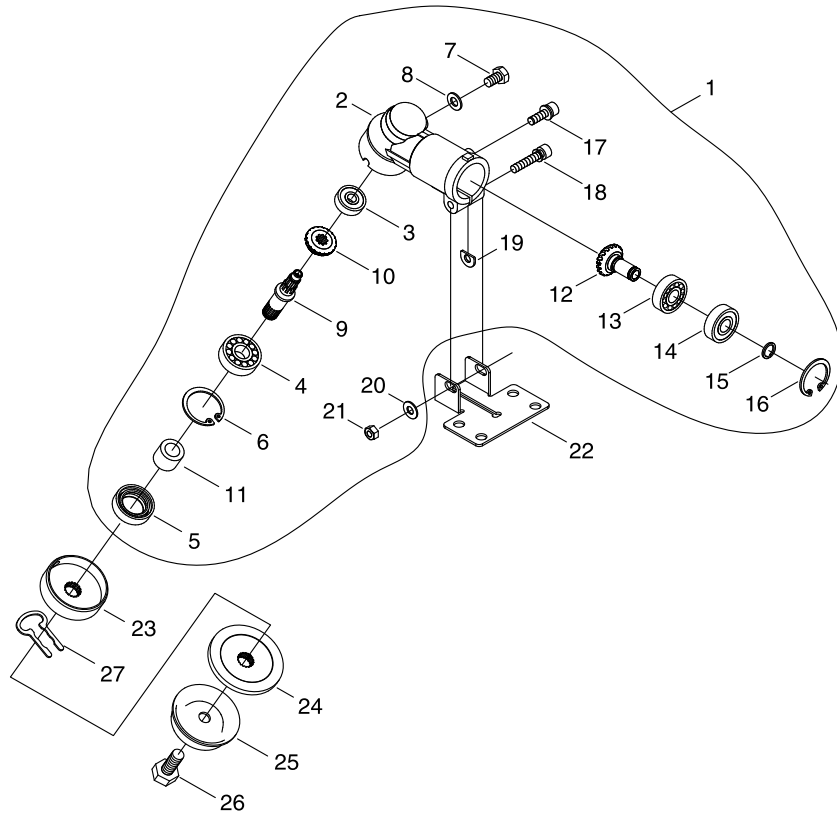
## 14. GEAR CASE



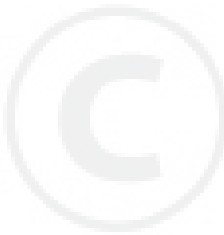
KEY	LV	PART NUMBER	Q'TY	DESCRIPTION	REMARKS	NOTE1	NOTE2
1		C051-000680	1	GEAR CASE SUB ASSY			
2	+	C531-000710	1	GEAR CASE			
3	+	900812-00626	1	BEARING, BALL	626LLU		
4	+	900800-06000	1	BEARING, BALL 6000	6000		
5	+	V509-000000	1	OIL SEAL			
6	+	92424-26000	1	SNAP RING			
7	+	91030-06010	1	BOLT			
8	+	V304-000180	1	GASKET			
9	+	C534-000680	1	GEAR SHAFT			
10	+	V651-000690	1	BEVEL GEAR			
11	+	V356-000480	1	COLLAR			
12	+	V651-000700	1	PINION SET			
13	+	900800-00608	1	BEARING, BALL 608	608		
14	+	900804-00608	1	BEARING, BALL 608	608ZZ		
15	+	92411-08000	1	RING	WR-8		
16	+	92424-22000	1	SNAP RING			
17	+	V203-000591	1	BOLT,5	M5X16 WSW		
18	+	V203-000601	1	BOLT,5	M5X35 WSW		
19	+	V340-000300	1	SHIM			
20	+	900603-00005	1	WASHER 5	5.5*12*0.8		
21	+	900500-00005	1	NUT 5	5		
22		C551-000150	1	LOWER CLAMP			
23		C535-000511	1	FIXTURE, BLADE			
24		C535-000681	1	FIXTURE, BLADE			
25		C535-000690	1	BOLT GUARD			
26		V216-000040	1	BOLT			



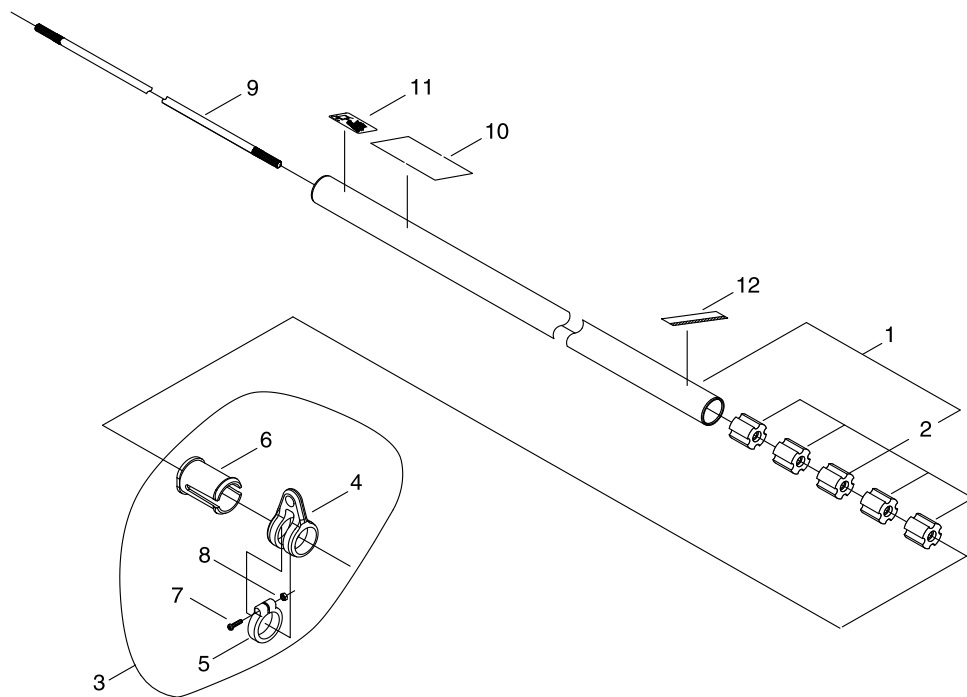
14. GEAR CASE



KEY	LV	PART NUMBER	Q'TY	DESCRIPTION	REMARKS	NOTE1	NOTE2
27		V490-000530	1	SLIDE CLIP			

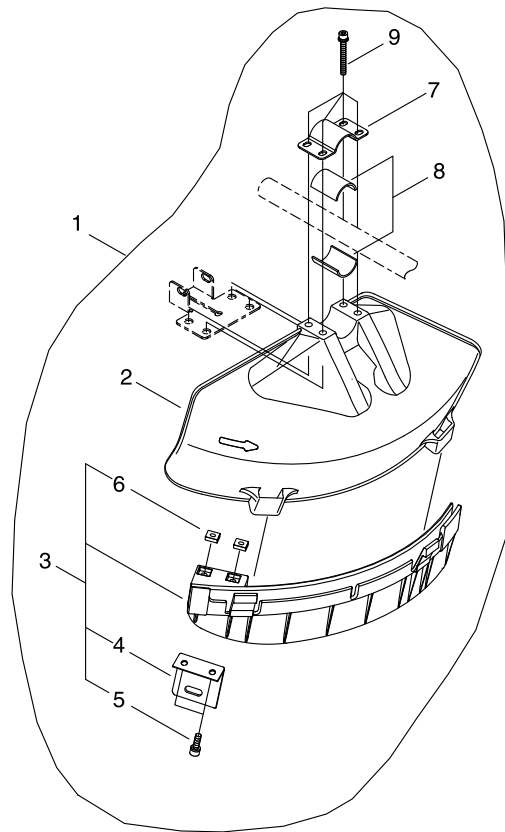


## 15. MAIN PIPE



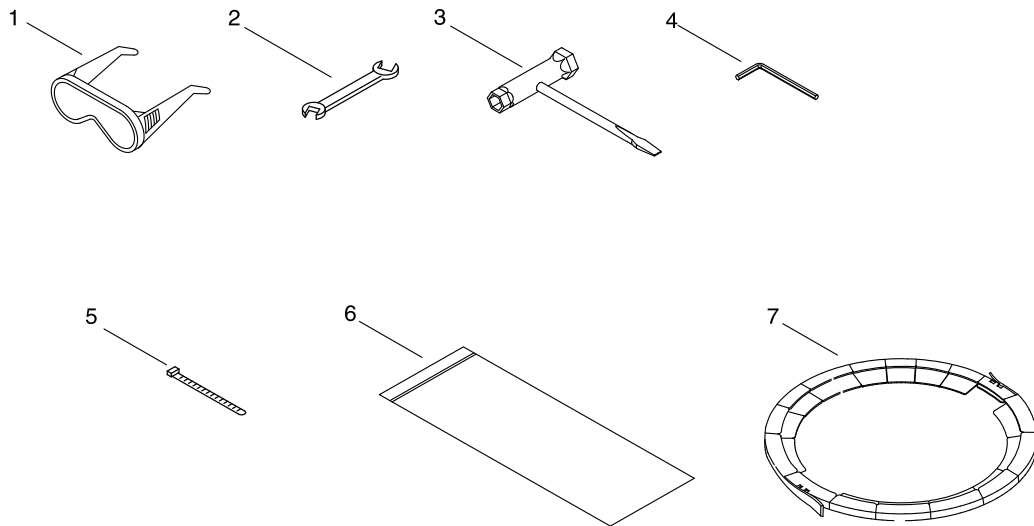
KEY	LV	PART NUMBER	Q'TY	DESCRIPTION	REMARKS	NOTE1	NOTE2
1		C050-002100	1	PIPE, MAIN			
2	+	C501-000010	5	BUSH			
3		C063-000000	1	HANGER ASSY			
4	+	C670-000060	1	HANGER			
5	+	V495-001330	1	CLAMP			
6	+	V363-000110	1	COLLAR			
7	+	91578-04016	1	SCREW PM			
8	+	900500-00004	1	NUT 4	4		
9		C504-000500	1	MAIN SHAFT			
10		890617-43130	1	LABEL, CAUTION			
11		X517-000140	1	LABEL CAUTION			
12		X524-002380	1	HANDLE LABEL			

## 16. BLADE COVER



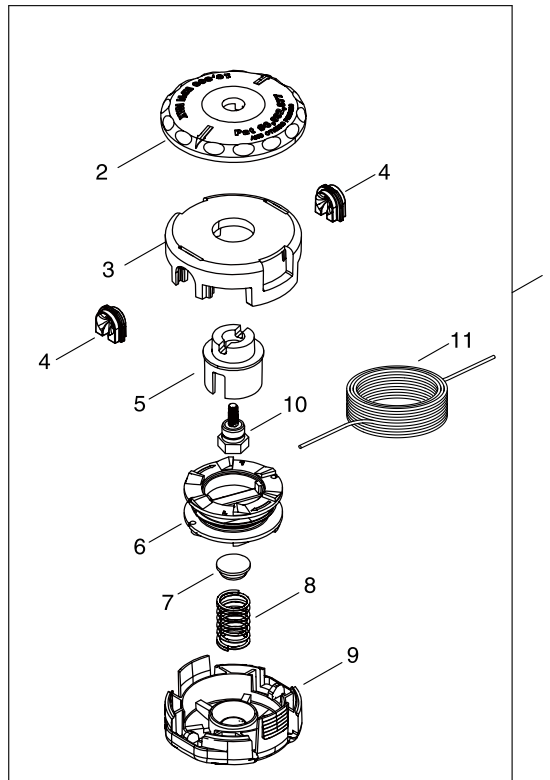
KEY	LV	PART NUMBER	Q'TY	DESCRIPTION	REMARKS	NOTE1	NOTE2
1		P021-028441	1	GUARD SET			
2	+	C550-000430	1	GUARD			
3	+	P021-028451	1	SUB GUARD ASSY			
4	++	C554-000040	1	CUTTER			
5	++	91122-05016	2	BOLT	CB-5*16 SW		
6	++	V263-000130	2	NUT			
7	+	C551-000060	1	UPPER CLAMP			
8	+	V375-000340	2	SPACER			
9	+	V203-000611	4	BOLT.5	M5X45 WSW		

## 17. ACCESSORIES



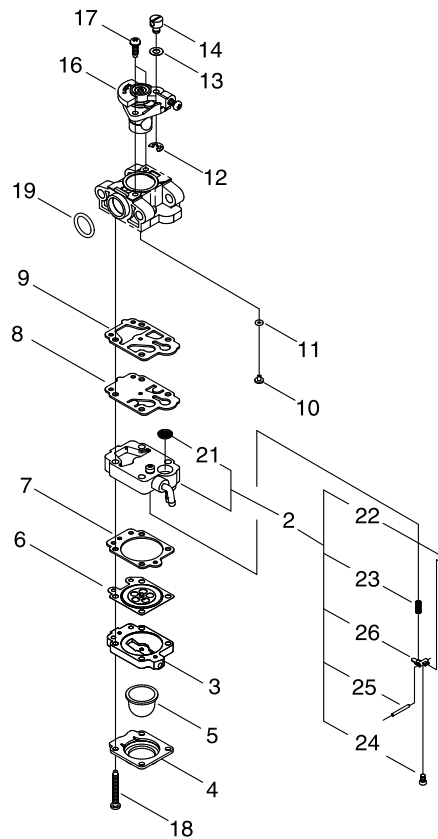
KEY	LV	PART NUMBER	Q'TY	DESCRIPTION	REMARKS	NOTE1	NOTE2
1		X690-000080	1	GOGGLE	SI CHINA, Z87.1		
2		X600-000020	1	SPANNER			
3		X602-000160	1	PLUG WRENCH			
4		X605-000100	1	TOOL, L WRENCH	4MM M5		
5		V495-001520	2	BAND			
6		X705-000100	1	BAG, PACKING	140*200*T0.08		
7		P021-034750	1	BLADE COVER			

## 18. NYLON LINE CUTTER



KEY	LV	PART NUMBER	Q'TY	DESCRIPTION	REMARKS	NOTE1	NOTE2
1		X047-000492	1	CUTTER,ASM LINE	SF375-7LH		
2	+	E415-000091	1	KNOB,REGULATOR			
3	+	X470-000181	1	DRUM,REEL			
4	+	X475-000050	2	EYELETS			
5	+	X476-000021	1	HUB,REEL			
6	+	X473-000011	1	REEL,CORD			
7	+	V494-000280	1	SPRING CAP			
8	+	V450-000871	1	SPRING,COMPRESSION			
9	+	X472-000012	1	LID,DRUM			
10	+	X471-000070	1	SHAFT,CORD	7MM X 1.0LH		
11	+	X474-000110	1	CORD			

## 19. CARBURETOR



KEY	LV	PART NUMBER	Q'TY	DESCRIPTION	REMARKS	NOTE1	NOTE2
		A021-002740	1	CARBURETOR ASSY			
2	+	P003-000510	1	BODY ASSEMBLY, PUMP			
21	++	123126-10631	1	SCREEN, INLET			
22	++	123137-19830	1	VALVE, INLET NEEDLE			
23	++	123122-05560	1	SPRING, METER. LEVER			
24	++	123139-05560	1	SCREW, M. LEVER PIN			
25	++	123138-03930	1	PIN, METERING LEVER			
26	++	123123-03930	1	LEVER, METERING			
3	+	123180-05560	1	BODY, AIR PURGE			
4	+	123142-05560	1	COVER, PRIMER PUMP			
5	+	123181-40630	1	PUMP, PRIMER			
6	+	P003-000090	1	METERING, DIAPHRAGM			
7	+	123140-05560	1	GASKET, M. DIAPHRAGM			
8	+	123112-40630	1	DIAPHRAGM, PUMP			
9	+	123125-40630	1	GASKET, PUMP			
10	+	P003-003440	1	MAIN JET			
11	+	123183-40630	1	O-RING			
12	+	123173-07930	1	CLIP			
13	+	123149-54230	1	WASHER			
14	+	123172-45130	1	SWIVEL			
16	+	P003-003950	1	VALVE, THROTTLE			
17	+	123114-44330	2	SCREW			
18	+	123110-05560	4	SCREW, PUMP COVER			
19	+	V581-000180	1	O RING			

**Index**

<b>Patrs Number</b>	<b>Key No.</b>	<b>Patrs Number</b>	<b>Key No.</b>	<b>Patrs Number</b>	<b>Key No.</b>
123110-05560	19 - 18	92424-22000	14 - 16	A509-000060	10 - 10
123112-40630	19 - 8	92424-26000	4 - 12	A511-000090	10 - 11
123114-44330	19 - 17	92424-26000	14 - 6	A518-000020	10 - 5
123122-05560	19 - 23	92424-40000	4 - 18	A520-000080	10 - 12
123123-03930	19 - 26	93115-03010	5 - 2	A553-000060	6 - 3
123125-40630	19 - 9	A011-000630	1 - 1	A556-000610	4 - 13
123126-10631	19 - 21	A021-002740	7 - 1	A557-000040	6 - 5
123137-19830	19 - 22	A021-002740	19 -	A566-000200	6 - 4
123138-03930	19 - 25	A023-000300	7 - 3	A575-000190	4 - 17
123139-05560	19 - 24	A024-000050	3 - 4	A600-000001	2 - 21
123140-05560	19 - 7	A030-000342	9 - 1	A603-000040	2 - 1
123142-05560	19 - 4	A033-000330	8 - 2	A603-000050	2 - 2
123149-54230	19 - 13	A051-001481	10 - 1	A604-000010	2 - 3
123172-45130	19 - 14	A056-000520	6 - 1	A606-000000	10 - 8
123173-07930	19 - 12	A056-000530	6 - 2	A606-000040	2 - 4
123180-05560	19 - 3	A063-000000	2 - 14	A607-000011	2 - 23
123181-40630	19 - 5	A100-000710	1 - 5	A610-000050	2 - 6
123183-40630	19 - 11	A101-000390	1 - 6	A610-000060	2 - 7
890617-43130	15 - 10	A123-000000	4 - 5	A613-000010	2 - 8
900105-05016	3 - 2	A136-000030	2 - 24	A622-000000	2 - 15
900105-05016	4 - 15	A137-000020	2 - 11	C044-000670	13 - 1
900105-05016	9 - 8	A146-000000	2 - 16	C050-002100	15 - 1
900105-06020	13 - 11	A160-001871	4 - 20	C051-000680	14 - 1
900330-40080	3 - 3	A172-001830	4 - 10	C062-000400	11 - 1
900500-00004	15 - 8	A175-000220	8 - 15	C063-000000	15 - 3
900500-00005	14 - 21	A200-000750	4 - 1	C401-000210	13 - 2
900503-00008	10 - 13	A209-000250	3 - 6	C401-000220	13 - 3
900600-00005	9 - 9	A209-000260	3 - 7	C403-000210	12 - 7
900603-00005	7 - 9	A211-000030	4 - 2	C423-000440	12 - 2
900603-00005	14 - 20	A212-000040	4 - 3	C423-000450	12 - 3
900706-00010	4 - 14	A226-000690	7 - 4	C423-000520	12 - 4
900800-00608	14 - 13	A226-000700	7 - 10	C450-000530	13 - 4
900800-06000	14 - 4	A232-000912	7 - 6	C460-000210	13 - 5
900804-00608	14 - 14	A300-001251	9 - 2	C461-000050	13 - 6
900804-06000	4 - 11	A310-000390	9 - 3	C486-000030	3 - 11
900812-00626	14 - 3	A313-001391	9 - 4	C501-000010	15 - 2
91030-06010	14 - 7	A350-001010	8 - 1	C504-000500	15 - 9
91113-04016	4 - 22	A355-000180	8 - 3	C531-000710	14 - 2
91113-04016	10 - 14	A356-000050	8 - 8	C534-000680	14 - 9
91122-05016	16 - 5	A369-000070	8 - 6	C535-000511	14 - 23
91341-03010	4 - 4	A409-000740	5 - 1	C535-000681	14 - 24
91449-04006	2 - 19	A411-000890	5 - 4	C535-000690	14 - 25
91572-04006	9 - 5	A425-000040	5 - 12	C550-000430	16 - 2
91578-04016	15 - 7	A426-000070	5 - 6	C551-000060	16 - 7
91580-05035	13 - 13	A427-000110	5 - 5	C551-000150	14 - 22
91581-05060	7 - 8	A429-000130	4 - 21	C554-000040	16 - 4
91582-05022	3 - 9	A500-000610	10 - 2	C603-000240	2 - 18
92018-06000	3 - 12	A504-000050	10 - 4	C644-000080	11 - 3
92411-08000	14 - 15	A506-000130	10 - 3	C649-000200	11 - 2

**Index**

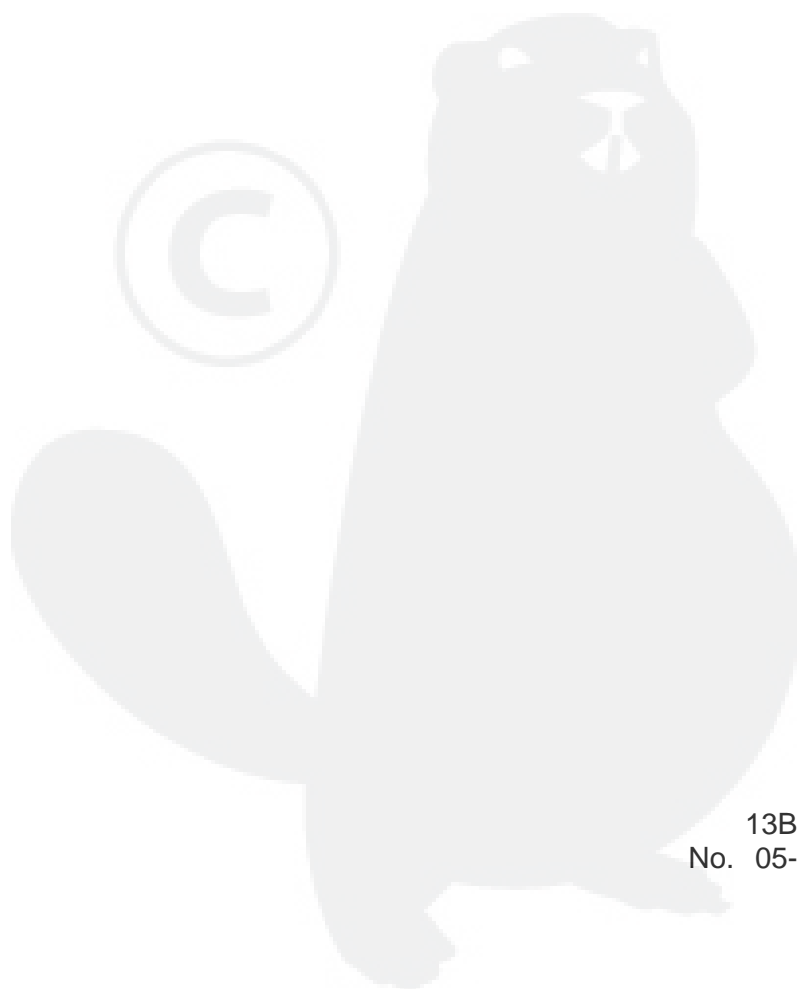
<b>Patrs Number</b>	<b>Key No.</b>	<b>Patrs Number</b>	<b>Key No.</b>	<b>Patrs Number</b>	<b>Key No.</b>
C670-000060	15 - 4	V303-000110	10 - 9	X474-000110	18 - 11
E415-000091	18 - 2	V303-000120	2 - 28	X475-000050	18 - 4
P003-000090	19 - 6	V303-000220	2 - 22	X476-000021	18 - 5
P003-000510	19 - 2	V304-000150	6 - 7	X504-006750	10 - 15
P003-003440	19 - 10	V304-000180	14 - 8	X504-006761	4 - 23
P003-003950	19 - 16	V322-000040	5 - 10	X517-000140	15 - 11
P021-024921	12 - 1	V340-000300	14 - 19	X524-002380	15 - 12
P021-027391	3 - 1	V346-000030	10 - 6	X543-004130	4 - 24
P021-027520	4 - 8	V346-000040	6 - 6	X600-000020	17 - 2
P021-028300	4 - 9	V356-000480	14 - 11	X602-000160	17 - 3
P021-028441	16 - 1	V363-000110	15 - 6	X605-000100	17 - 4
P021-028451	16 - 3	V375-000340	16 - 8	X690-000080	17 - 1
P021-028562	7 - 5	V392-000020	1 - 10	X705-000100	17 - 6
P021-033930	1 - 4	V392-000030	2 - 5		
P021-034750	17 - 7	V420-002220	8 - 14		
P021-035150	12 - 6	V450-000871	18 - 8		
V043-000430	13 - 8	V452-000530	13 - 9		
V103-001130	3 - 8	V452-000540	13 - 10		
V103-001140	7 - 2	V452-000610	2 - 17		
V104-001431	9 - 6	V470-000880	8 - 7		
V107-000010	8 - 4	V471-002350	8 - 5		
V109-000100	4 - 6	V471-002360	8 - 10		
V109-000110	2 - 25	V475-005160	5 - 7		
V109-000120	2 - 12	V485-001260	3 - 5		
V136-000100	5 - 9	V485-001910	5 - 8		
V152-002250	3 - 10	V490-000500	8 - 11		
V186-000210	8 - 9	V490-000500	8 - 13		
V202-000340	4 - 7	V490-000510	8 - 12		
V202-000350	2 - 13	V490-000530	14 - 27		
V202-000350	2 - 26	V494-000280	18 - 7		
V202-000360	5 - 11	V495-001330	15 - 5		
V203-000351	8 - 16	V495-001510	13 - 7		
V203-000591	14 - 17	V495-001520	17 - 5		
V203-000601	14 - 18	V505-000020	1 - 2		
V203-000611	4 - 16	V505-000120	1 - 3		
V203-000611	16 - 9	V509-000000	14 - 5		
V203-000620	4 - 19	V554-000010	1 - 9		
V203-000631	12 - 5	V580-000090	1 - 8		
V203-001000	9 - 7	V581-000180	19 - 19		
V216-000040	14 - 26	V607-000040	1 - 7		
V252-000190	13 - 15	V623-000030	2 - 20		
V253-000260	10 - 7	V623-000040	2 - 10		
V253-000540	2 - 27	V651-000690	14 - 10		
V263-000130	16 - 6	V651-000700	14 - 12		
V263-000190	13 - 14	X047-000492	18 - 1		
V263-000230	2 - 9	X470-000181	18 - 3		
V264-000140	13 - 12	X471-000070	18 - 10		
V265-000140	5 - 3	X472-000012	18 - 9		
V299-000570	7 - 7	X473-000011	18 - 6		



# YAMABIKO CORPORATION

7-2 SUEHIROCHO 1-CHOME, OHME, TOKYO 198-8760, JAPAN  
PHONE: 81-428-32-6118. FAX: 81-428-32-6145.

**shindaiwa<sup>®</sup>**



13Bb  
No. 05-189