

shindaiwa[®]

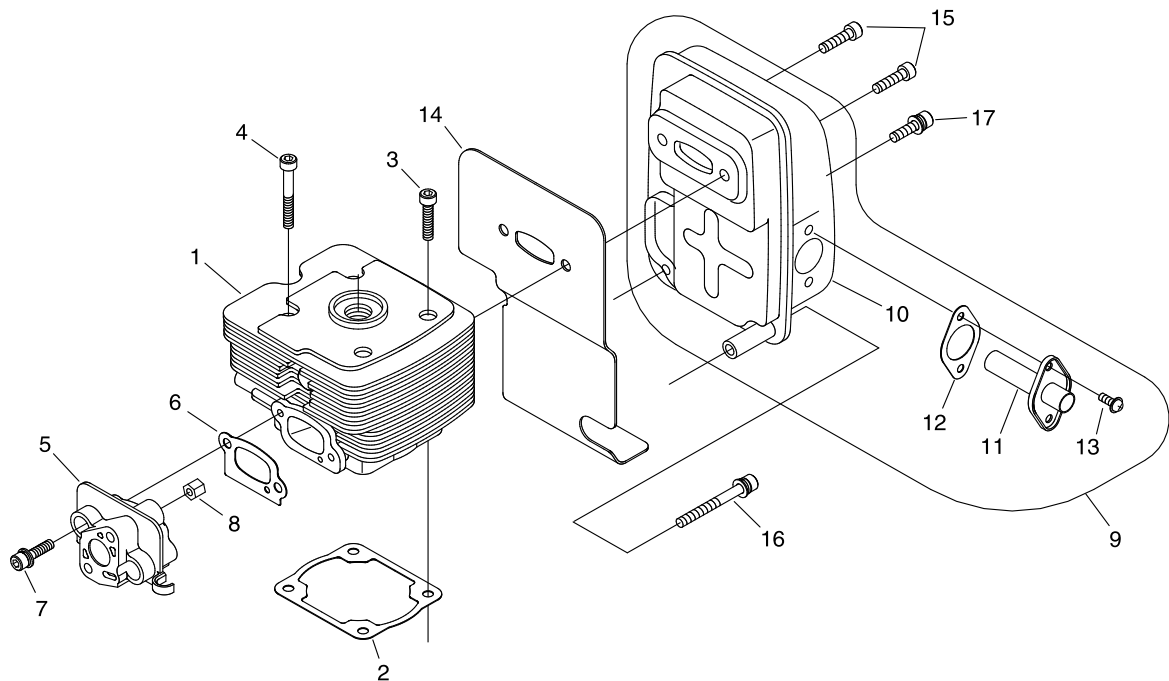
PARTS CATALOG

TRIMMER B530/U6(36)

36000001 -

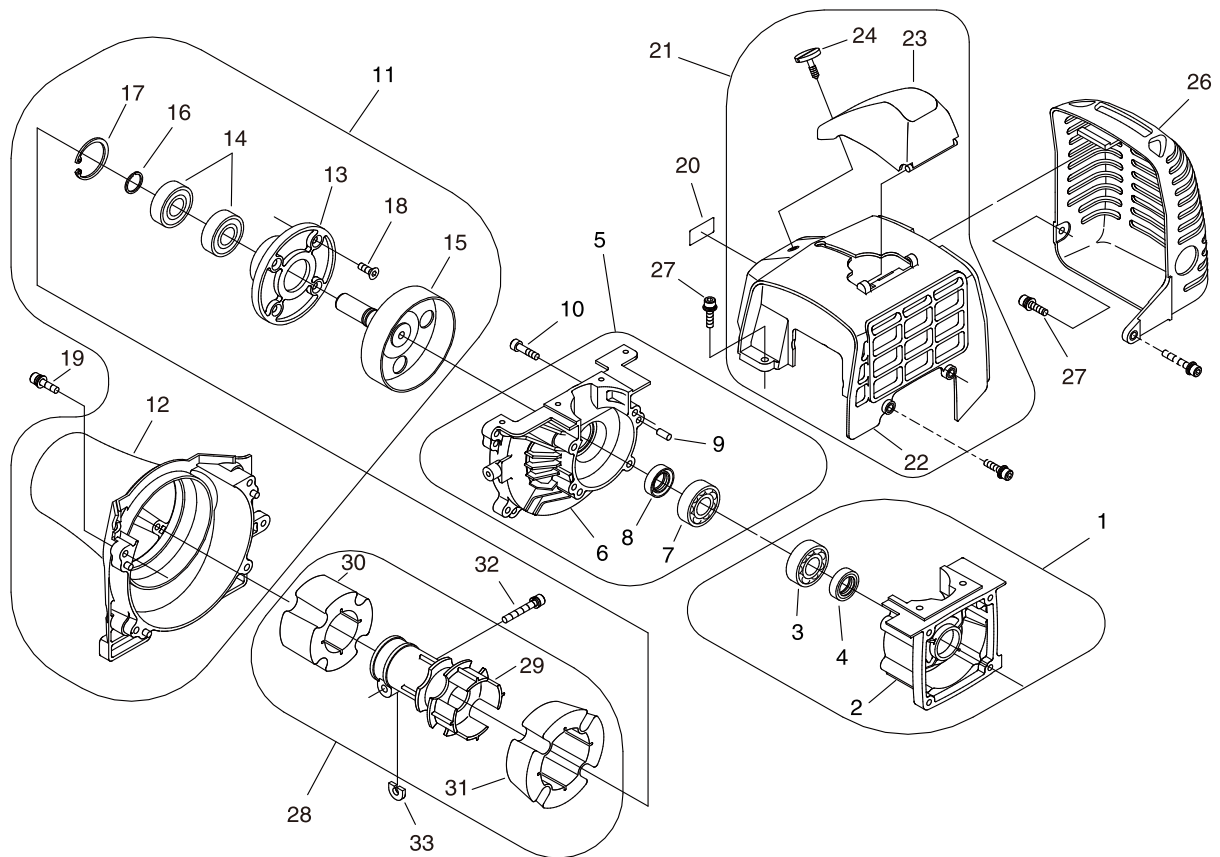
P016-001440-13Bb

1. CYLINDER, MUFFLER



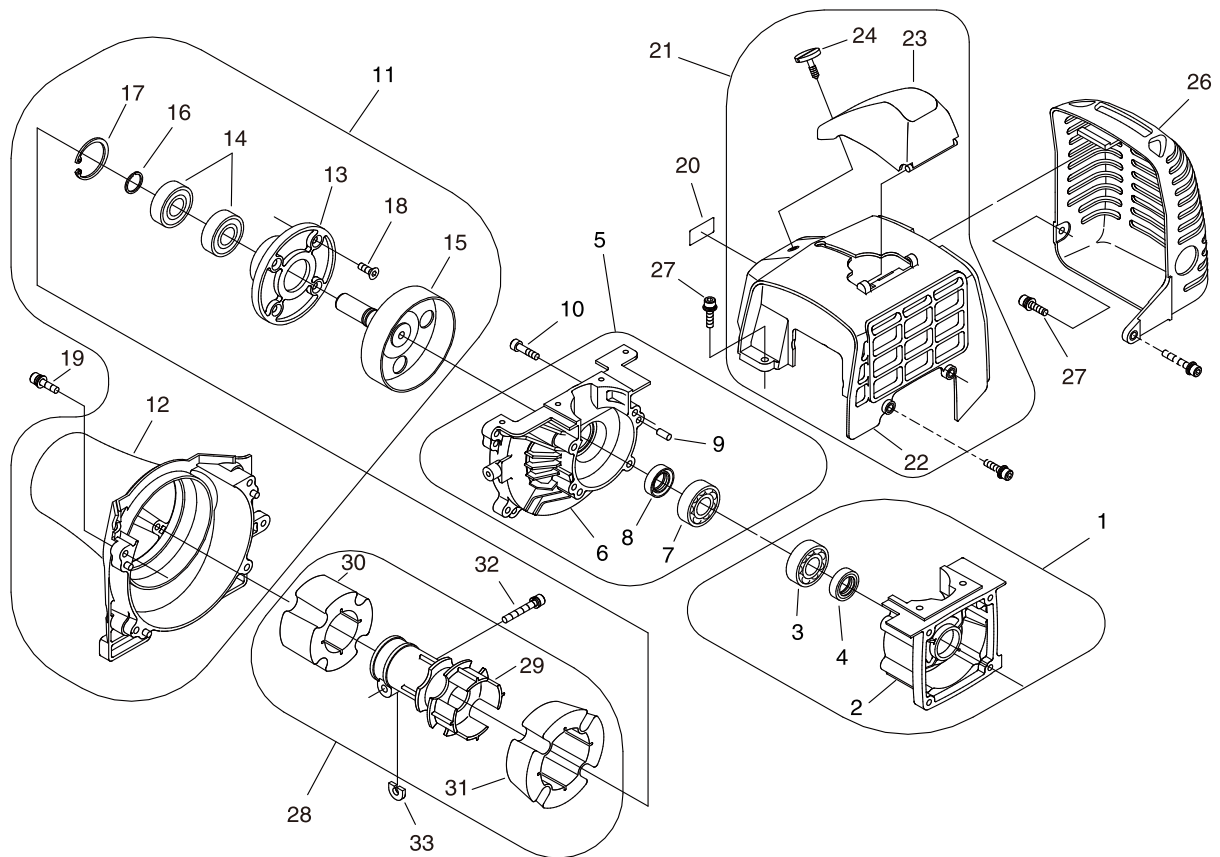
KEY	LV	PART NUMBER	Q'TY	DESCRIPTION	REMARKS	NOTE1	NOTE2
1		A130-001780	1	CYLINDER			
2		V100-000450	1	GASKET CYLINDER			
3		900105-05025	3	BOLT, H.S. 5*25	5*25		
4		900105-05035	1	BOLT, H.S. 5*35	5*35		
5		A200-000680	1	INSULATOR			
6		V103-001020	1	GASKET			
7		V203-000581	2	BOLT,5	M5X30 WSW		
8		V263-000180	2	NUT			
9		A030-000270	1	MUFFLER ASSY			
10	+	A300-001140	1	MUFFLER			
11	+	A313-001300	1	TAIL PIPE			
12	+	V104-001350	1	GASKET			
13	+	V252-000180	2	SCREW PM SPW			
14		V104-001360	1	GASKET MUFFLER			
15		900105-06025	2	BOLT, H.S. 6*25	6*25		
16		V203-000611	1	BOLT,5	M5X45 WSW		
17		V203-000591	1	BOLT,5	M5X16 WSW		

2. CRANKCASE, FANCOVER



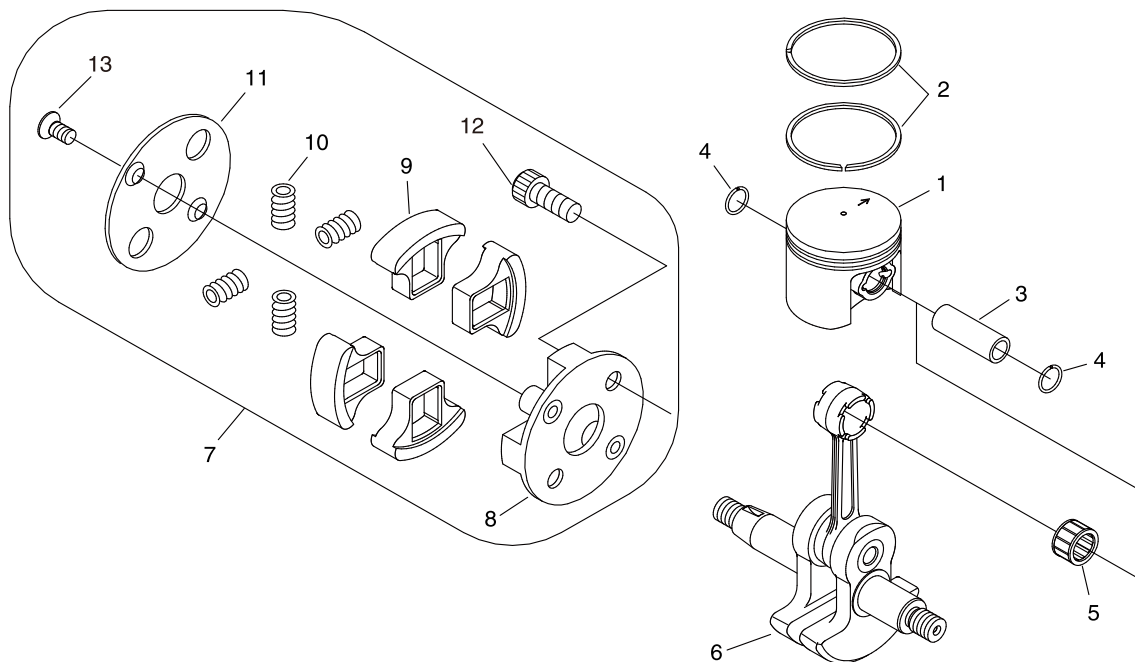
KEY	LV	PART NUMBER	Q'TY	DESCRIPTION	REMARKS	NOTE1	NOTE2
1		P021-027760	1	CRANK CASE S COMP			
2	+	A120-000370	1	CRANK CASE S			
3	+	900810-36202	1	BEARING, BALL 6202	6202/C3		
4	+	V508-000050	1	OIL SEAL			
5		P021-027770	1	CRANK CASE M COMP			
6	+	A120-000380	1	CRANK CASE M			
7	+	900810-36202	1	BEARING, BALL 6202	6202/C3		
8	+	V508-000050	1	OIL SEAL			
9	+	900330-50100	2	ROLLER 5*10			
10		900105-05030	4	BOLT, H.S. 5*30	5*30		
11		P021-027783	1	FAN COVER COMP			
12	+	A172-001270	1	FAN COVER			
13	+	A570-000200	1	CLUTCH CASE			
14	+	900812-06202	2	BEARING, BALL 6202	6202DDU(LLU)		
15	+	A556-001600	1	DRUM, CLUTCH			
16	+	V583-000181	1	RING			
17	+	92424-35000	1	SNAP RING			
18	+	V253-000440	4	SCREW ADHEISIVE			
19		V203-000581	4	BOLT,5	M5X30 WSW		
20		X504-007560	1	LABEL, BRAND	SHINDAIWA B530		
21		P021-027790	1	CYLINDER COVER COMP			
22	+	A160-001650	1	CYLINDER COVER			
23	+	A429-000120	1	PLUG COVER			
24	+	V299-000390	1	KNOB			
26		A320-000780	1	MUFFLER COVER			

2. CRANKCASE, FANCOVER



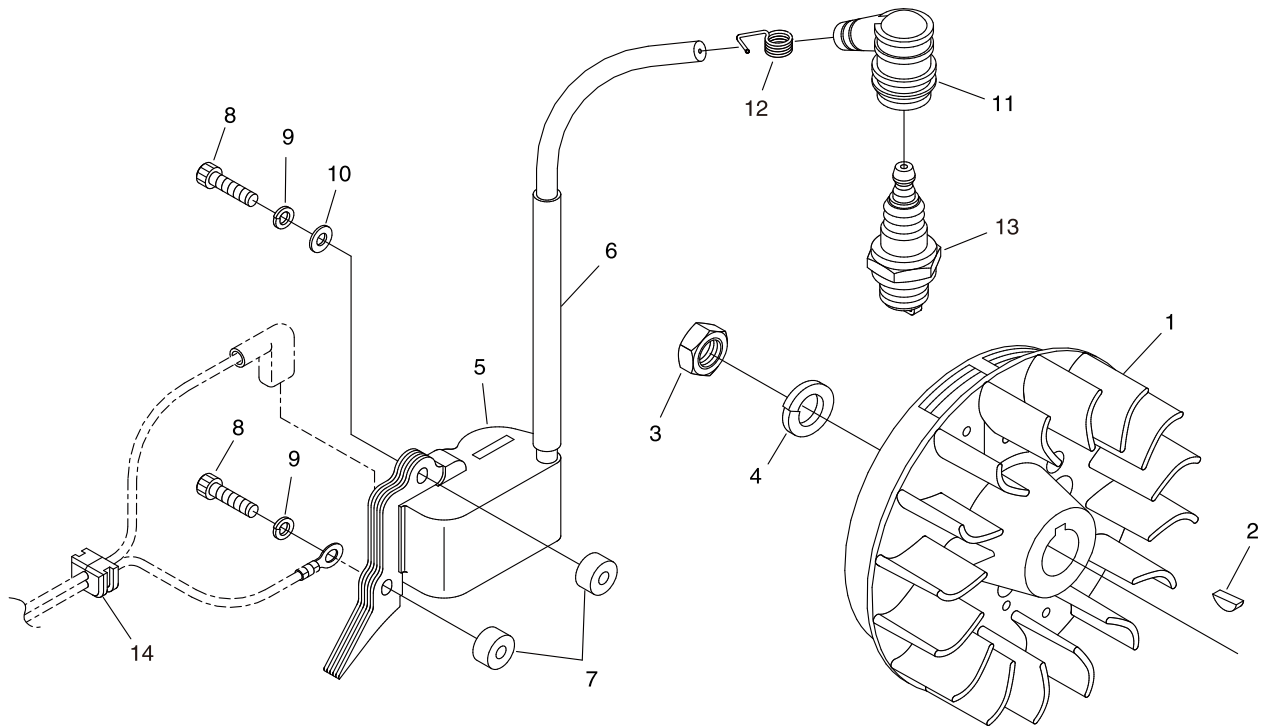
KEY	LV	PART NUMBER	Q'TY	DESCRIPTION	REMARKS	NOTE1	NOTE2
27		V203-000591	3	BOLT,5	M5X16 WSW		
28		A058-000010	1	JOINT ASSY			
29	+	A575-000440	1	JOINT			
30	+	V420-002490	1	FRONT CUSION			
31	+	V420-002500	1	REAR CUSION			
32		V204-000411	1	BOLT,6	M6X28 WSW		
33		V375-000350	1	SHIM			

3. CRANK SHAFT, PISTON



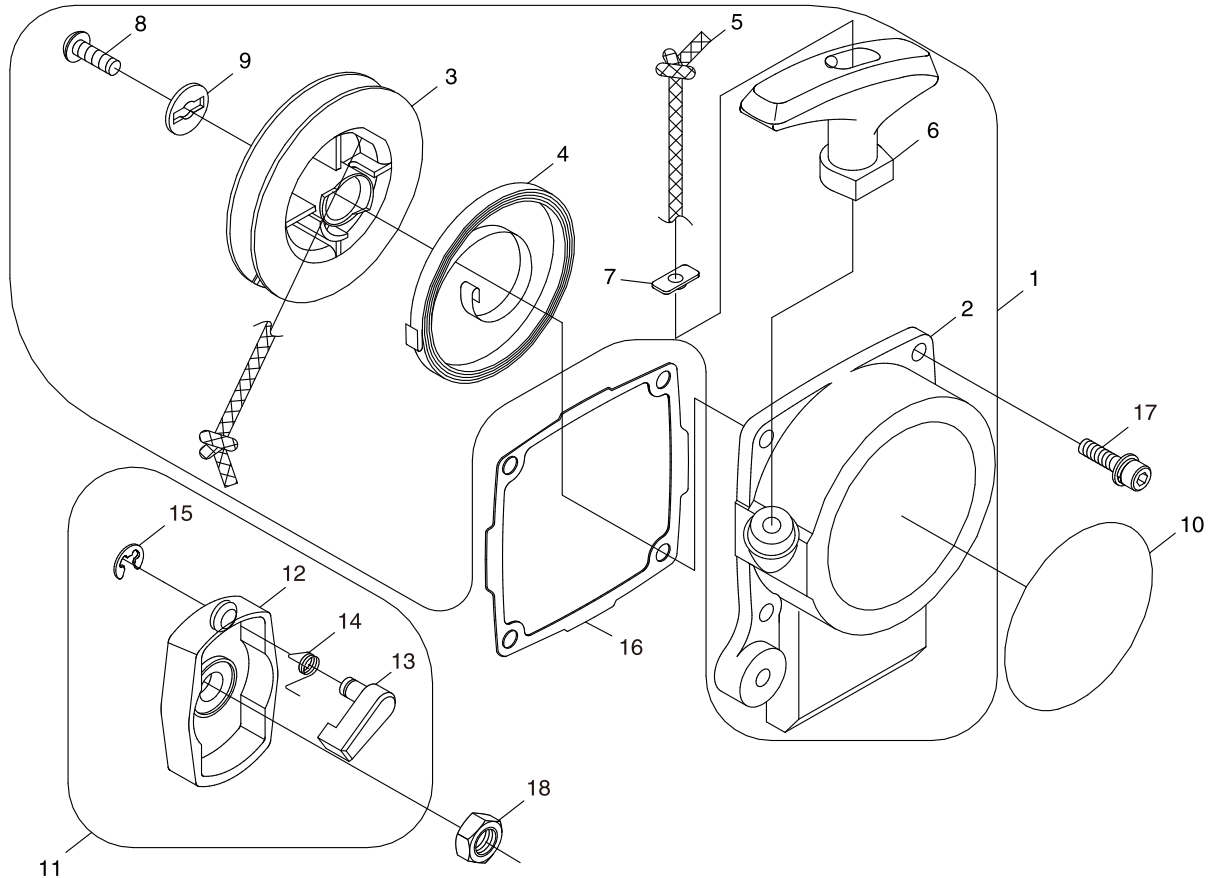
KEY	LV	PART NUMBER	Q'TY	DESCRIPTION	REMARKS	NOTE1	NOTE2
1		A100-000680	1	PISTON			
2		A101-000370	2	PISTON RING			
3		V609-000050	1	PISTON PIN			
4		V580-000100	2	SNAP RING			
5		V556-000030	1	NEEDLE BEARING			
6		A011-000840	1	CRANK SHAFT			
7		A056-000451	1	CLUTCH ASY			
8	+	A552-000121	1	HUB, CLUTCH			
9	+	A555-000130	4	CLUTCH SHOE			
10	+	A566-000150	4	SPRING			
11	+	A551-000120	1	PLATE			
12	+	A557-000120	2	CLUTCH BOLT			
13	+	V203-000880	2	SCREW FLAT			

4. MAGNETO



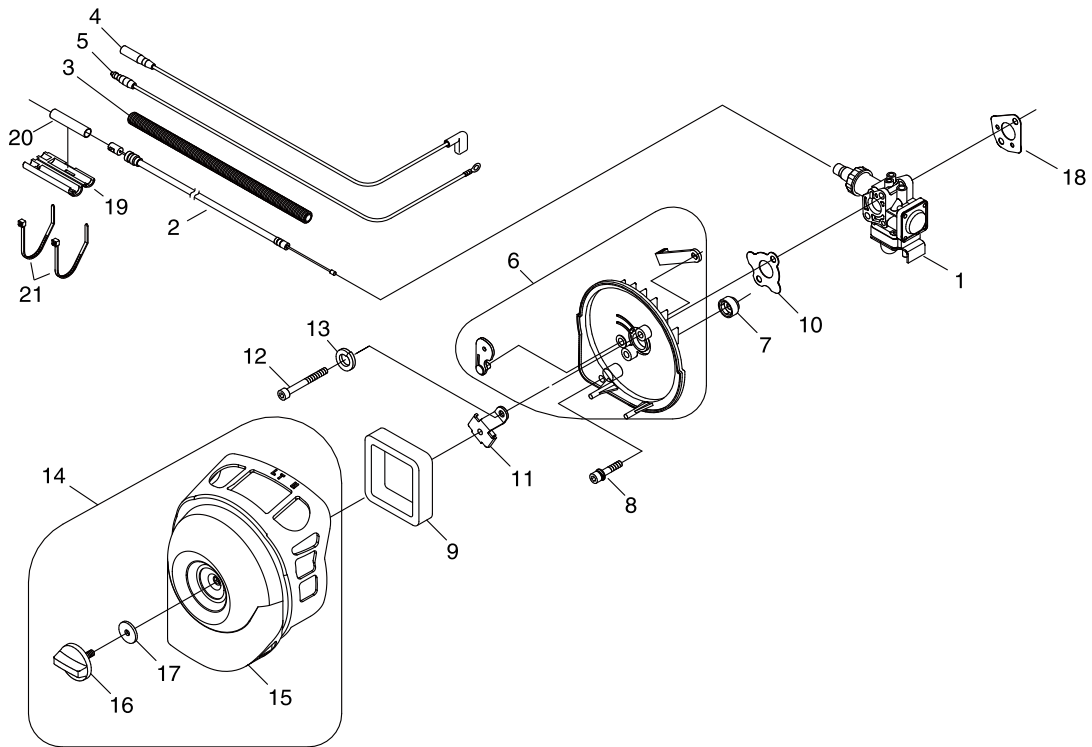
KEY	LV	PART NUMBER	Q'TY	DESCRIPTION	REMARKS	NOTE1	NOTE2
1		A409-000650	1	ROTOR			
2		93115-03010	1	KEY	3*10		
3		900503-00010	1	NUT 10 (3N *1.25)	3N10*P1.25		
4		900605-00010	1	WASHER, SPRING 10	10		
5		A411-000790	1	COIL ASSY			
6		V475-005280	1	PIPE CORD B			
7		V322-000040	2	INSULATOR			
8		91100-04024	2	BOLT			
9		900605-00004	2	WASHER, SPRING 4	4		
10		V302-000010	1	WASHER			
11		A427-000060	1	CAP, SPARK PLUG			
12		A426-000040	1	TERMINAL, SPARKPLUG			
13		159010-10130	1	PLUG, SPARK (BMR-6A)	BMR-6A		
14		V136-000040	1	GROMMET			

5. RECOIL STARTER



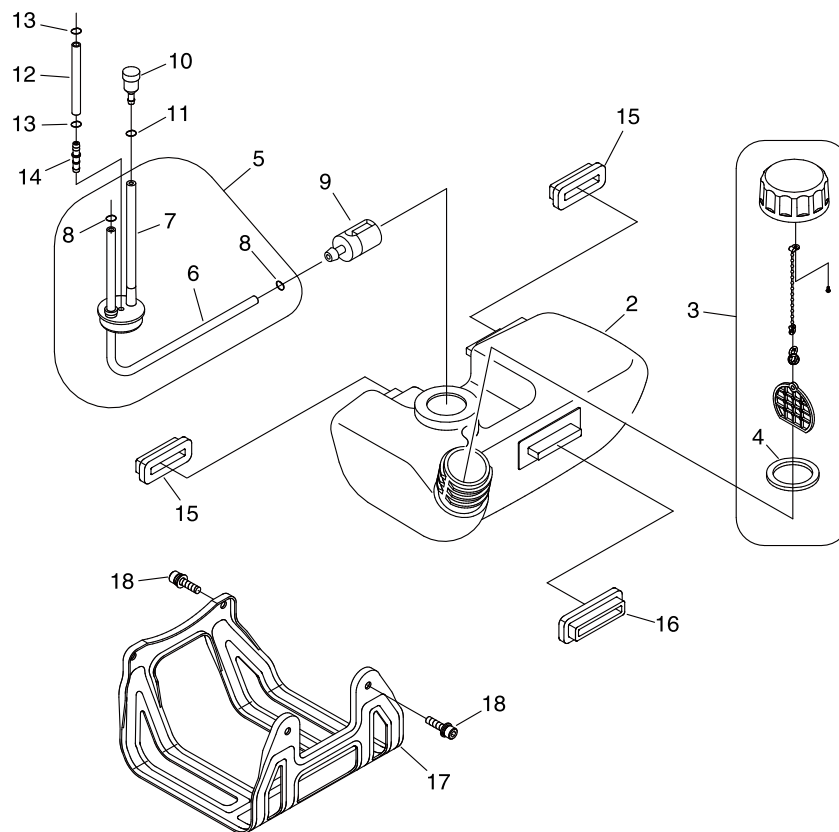
KEY	LV	PART NUMBER	Q'TY	DESCRIPTION	REMARKS	NOTE1	NOTE2
1		A050-000200	1	RECOIL STARTER ASSY			
2	+	A500-000860	1	RECOIL CASE			
3	+	A506-000260	1	REEL			
4	+	A504-000130	1	RECOIL SPRING			
5	+	A509-000180	1	ROPE			
6	+	A511-000210	1	KNOB RECOIL			
7	+	A522-000040	1	STOPPER			
8	+	V253-000560	1	SCREW			
9	+	V303-000150	1	WASHER			
10		X504-007550	1	LABEL, BRAND	SHINDAIWA B530		
11		A052-000380	1	STARTER PULLY ASSY			
12	+	A520-000160	1	STARTER PULLY			
13	+	A514-000120	1	RACHET			
14	+	V452-000520	1	RETURN SPRING			
15	+	V583-000140	1	RING			
16		V105-000020	1	GASKET			
17		V203-000631	4	BOLT, 5	M5X25 WSW		
18		V266-000070	1	NUT			

6. AIR CLEANER



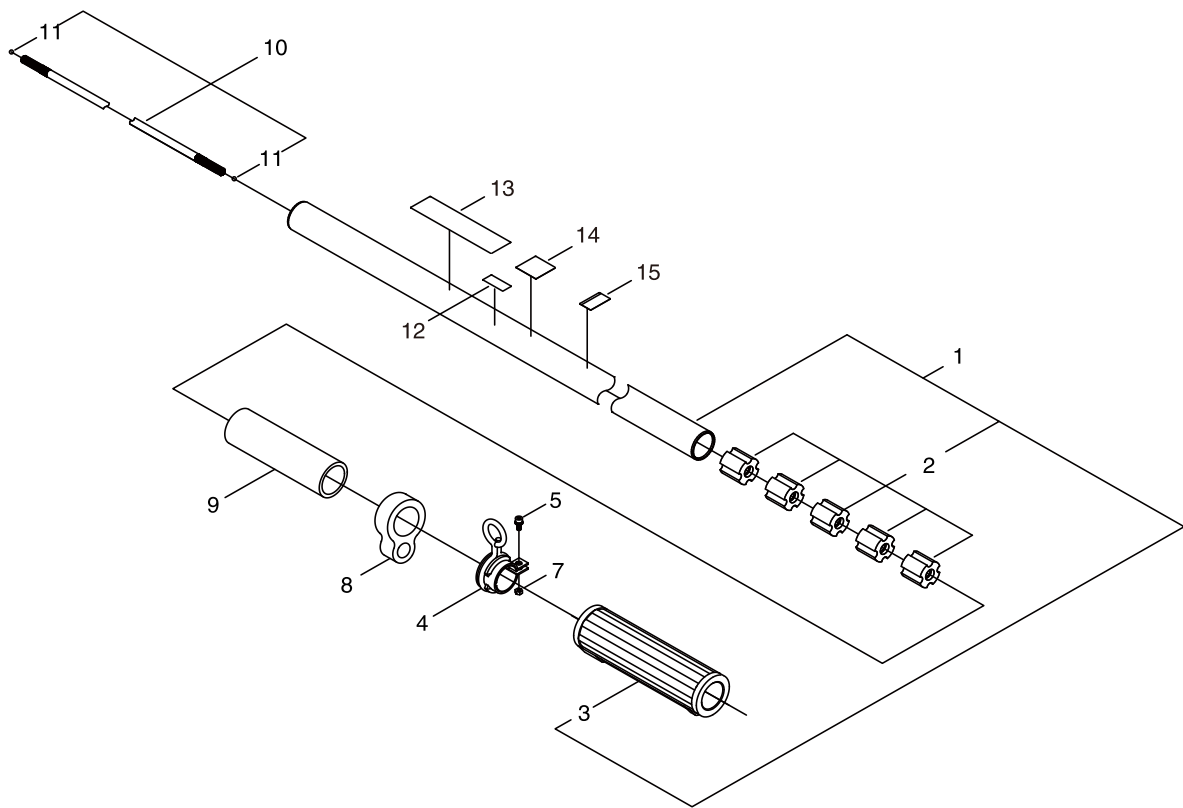
KEY	LV	PART NUMBER	Q'TY	DESCRIPTION	REMARKS	NOTE1	NOTE2
1		A021-002580	1	CARBURETOR ASSY			
2		V430-002930	1	THROTTLE CABLE			
3		V475-004500	1	TUBE	L=180		
4		V485-001700	1	LEAD WIRE			
5		V485-001710	1	LEAD WIRE			
6		A023-000160	1	CLEANER BODY COMP			
7		V323-000090	1	INSULATOR			
8		V203-000530	1	BOLT SW			
9		A226-000680	1	FILTER			
10		V103-001040	1	GASKET			
11		A244-000180	1	BACK PLATE			
12		900105-05075	2	BOLT, H.S.H	5*75		
13		900605-00005	2	WASHER, SPRING 5	5		
14		P021-028000	1	CLEANER COVER COMP			
15	+	A232-000880	1	CLEANER COVER			
16	+	V299-000410	1	KNOB			
17	+	V303-000200	1	WASHER			
18		V103-001030	1	GASKET			
19		C482-000070	1	CONNECTOR			
20		V475-004810	1	SLEEVE			
21		V495-001530	2	BAND			

7. FUEL TANK



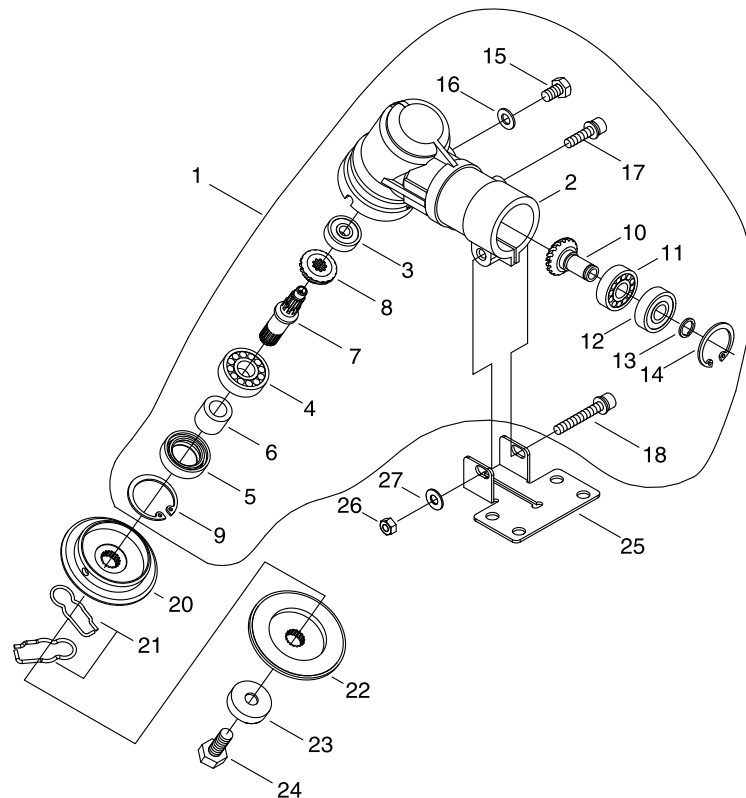
KEY	LV	PART NUMBER	Q'TY	DESCRIPTION	REMARKS	NOTE1	NOTE2
2		A350-001370	1	FUEL TANK			
3		A033-000330	1	CAP,FUEL			
4	+	V107-000010	1	GASKET			
5		P021-034560	1	FUEL PIPE ASSY			
6	+	V471-002480	1	FUEL PIPE			
7	+	V137-000090	1	GROMMET			
8	+	V490-000500	2	CLIP			
9		A369-000101	1	FUEL FILTER SUB ASSY			
10		A356-000050	1	VALVE,CHECK			
11		V490-000500	1	CLIP			
12		V471-002490	1	PIPE			
13		V490-000500	2	CLIP			
14		V186-000210	1	JOINT			
15		V420-002510	2	TANK CUSHION			
16		V420-002520	1	TANK CUSHION			
17		A175-000210	1	TANK GUARD			
18		V203-000591	4	BOLT,5	M5X16 WSW		

8. MAIN PIPE



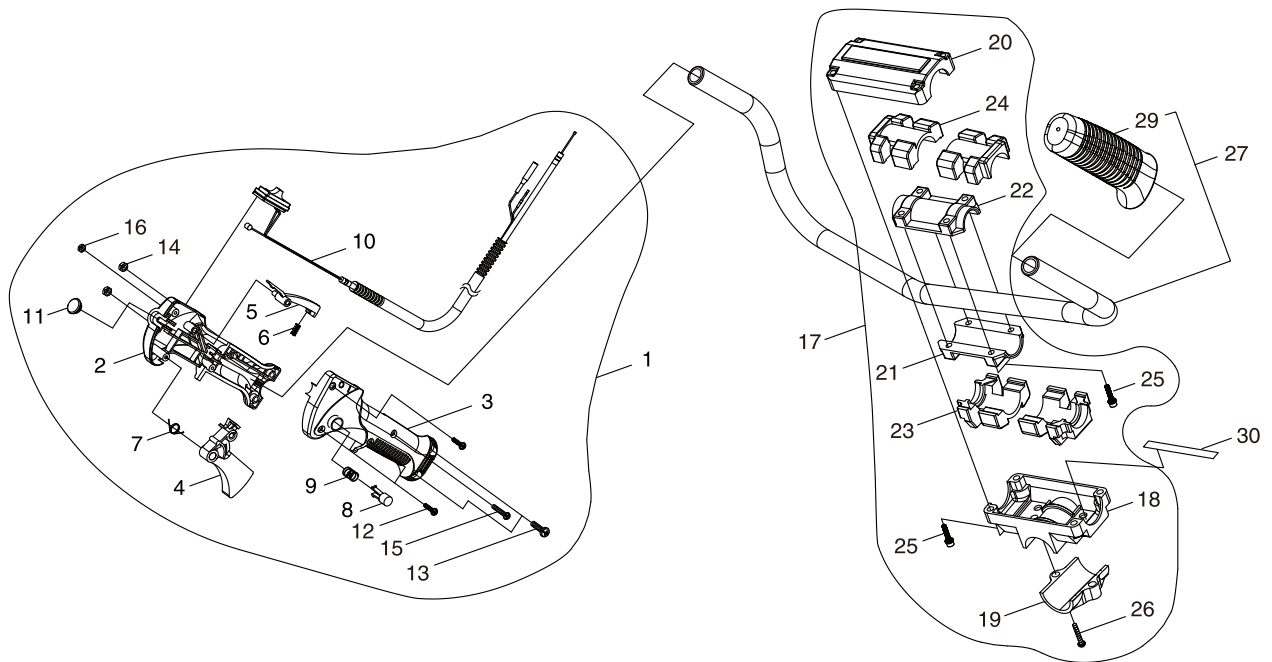
KEY	LV	PART NUMBER	Q'TY	DESCRIPTION	REMARKS	NOTE1	NOTE2
1		P021-028610	1	OUTER PIPE SUB ASSY			
2	+	C501-000090	5	BUSHING			
3	+	C412-000450	1	PROTECTOR			
4		C063-000030	1	HANGER			
5		V203-000701	1	BOLT,5	M5X12 WSW		
7		900500-00005	1	NUT 5	5		
8		C487-000280	1	BAND			
9		V364-000050	1	PROTECTOR			
10		C504-000740	1	MAIN SHAFT SUB ASSY			
11	+	V585-000040	2	STOPPER			
12		X517-000140	1	LABEL CAUTION			
13		890617-43130	1	LABEL CAUTION			
14		X508-000260	1	LABEL DECIBEL			
15		X524-002380	1	HANDLE LABEL			

9. GEAR CASE



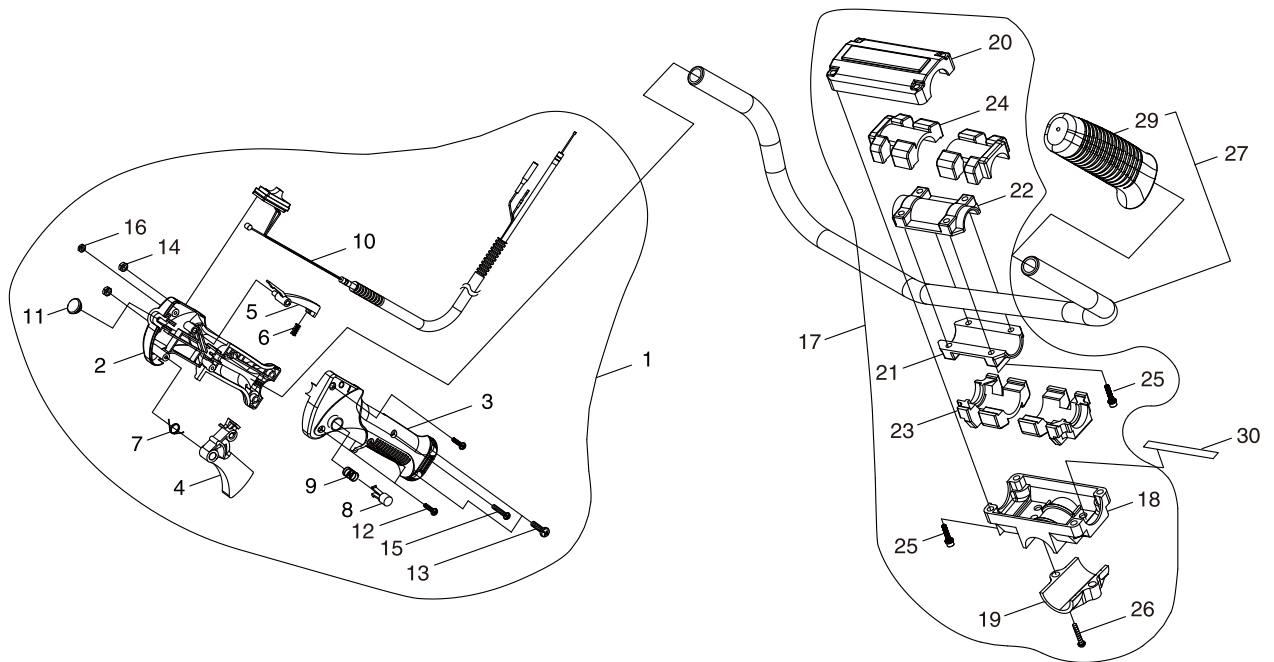
KEY	LV	PART NUMBER	Q'TY	DESCRIPTION	REMARKS	NOTE1	NOTE2
1		C051-000612	1	CASE, GEAR			
2	+	C531-000601	1	CASE, GEAR			
3	+	900802-06000	1	BEARING, BALL 6000	6000DDU(LLU)		
4	+	900810-06202	1	BEARING, BALL 6202	6202		
5	+	V513-000000	1	OIL SEAL			
6	+	V358-000130	1	COLLAR			
7	+	C534-000910	1	SHAFT, GEAR			
8	+	V651-000540	1	BEVEL GEAR			
9	+	92424-35000	1	SNAP RING			
10	+	V651-000550	1	PINION SET			
11	+	900800-06001	1	BEARING, BALL 6001			
12	+	900804-06001	1	BEARING, BALL 6001ZZ	6001ZZ		
13	+	900706-00012	1	CIRCLIP 12	WR-12		
14	+	92424-28000	1	SNAP RING			
15	+	V206-000250	1	BOLT			
16	+	V307-000230	1	GASKET			
17	+	V204-000740	1	BOLT SPW			
18	+	V204-000450	1	BOLT SPW			
20		C535-000770	1	HOLDER A			
21		V641-000140	2	PIN,SNAP			
22		C535-000800	1	HOLDER			
23		C535-000790	1	FIXTURE, BLADE			
24		V206-000530	1	BOLT,10			
25		C551-000110	1	LOWER CLAMP			
26		900500-00006	1	NUT 6	6		
27		900603-00006	1	WASHER 6	6.5*13*1		

10. HANDLE



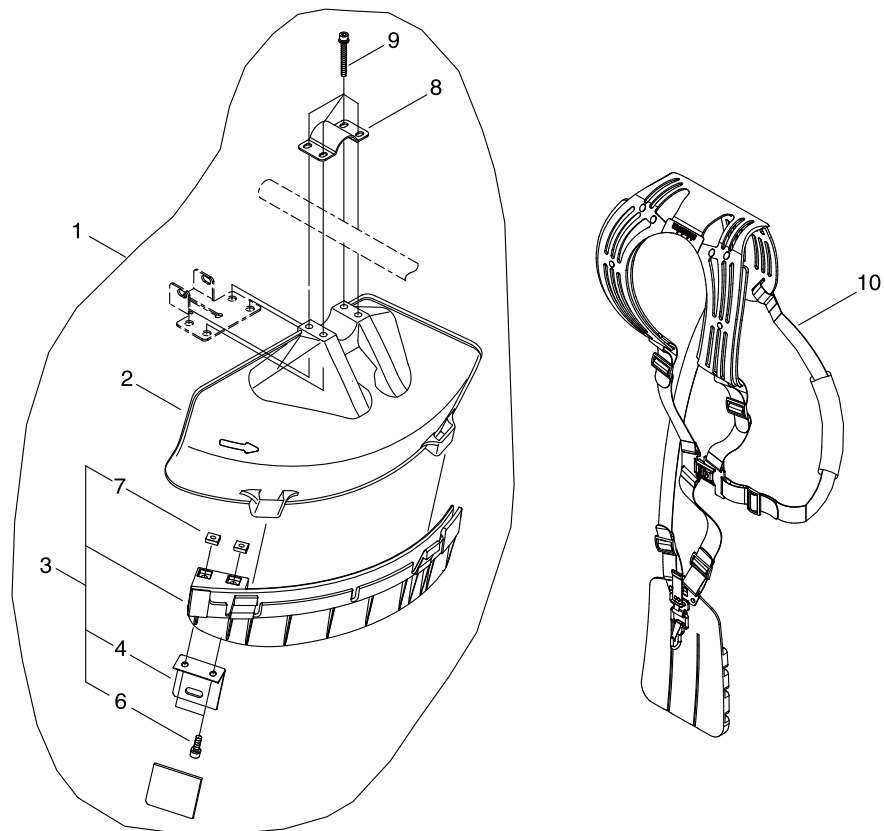
KEY	LV	PART NUMBER	Q'TY	DESCRIPTION	REMARKS	NOTE1	NOTE2
1		C044-000882	1	CONTROL, THROTTLE	B450/B530/C350		
2	+	C412-000430	1	BODY RIGHT			
3	+	C412-000441	1	GRIP, HANDLE			
4	+	C450-000581	1	CONTROL, THROTTLE			
5	+	C460-000241	1	LOCKOUT, THROTTLE			
6	+	V450-001020	1	COIL SPRING			
7	+	V452-000690	1	COIL SPRING			
8	+	C461-000080	1	BUTTON			
9	+	V450-001010	1	COIL SPRING			
10	+	V043-000540	1	THROTTLE CABLE			
11	+	V162-000410	1	PLUG			
12	+	V252-000360	3	SCREW TAPPING			
13	+	91335-05022	2	SCREW	SRB-5*22		
14	+	92114-05000	2	NUT, LOCK	M5		
15	+	V252-000090	1	SCREW			
16	+	V262-000100	1	NUT			
17		P021-033251	1	BRACKET COMP			
18	+	C423-000710	1	HANDLE BRACKET			
19	+	C423-000730	1	LOWER CAP			
20	+	C423-000750	1	UPPER CAP			
21	+	C423-000760	1	LOWER CLAMP			
22	+	C423-000770	1	UPPER CLAMP			
23	+	V420-002460	2	LOWER CUSHION			
24	+	V420-002470	2	UPPER CUSHION			
25	+	V203-000631	8	BOLT,5	M5X25 WSW		

10. HANDLE



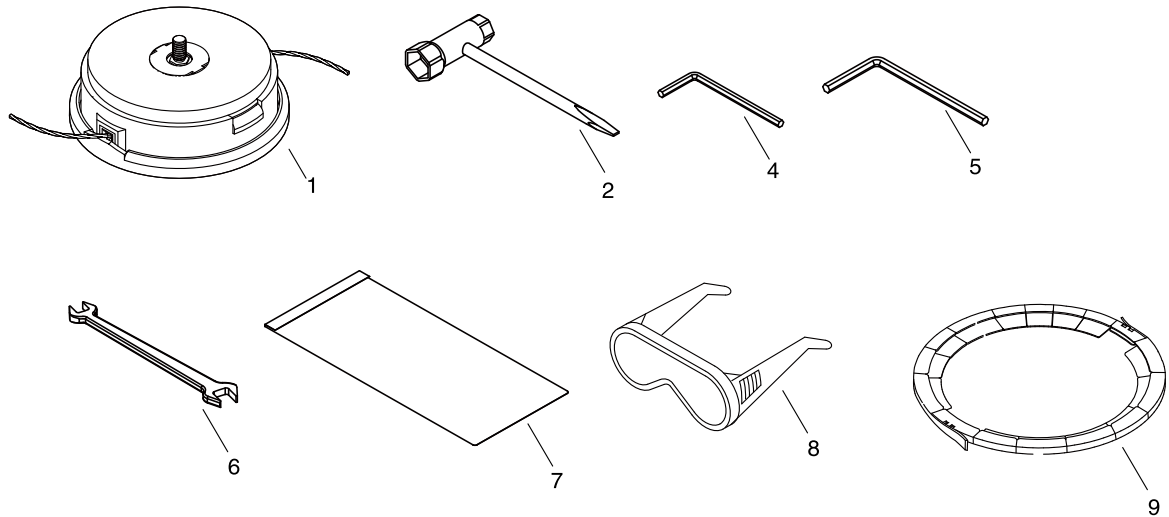
KEY	LV	PART NUMBER	Q'TY	DESCRIPTION	REMARKS	NOTE1	NOTE2
26	+	91142-06025	2	SCREW BUTTON			
27		P021-035440	1	HANDLE SUB ASSY			
29	+	C403-000420	1	GRIP			
30		A430-000000	1	EARTH CORD			

11. GUARD, HARNESS



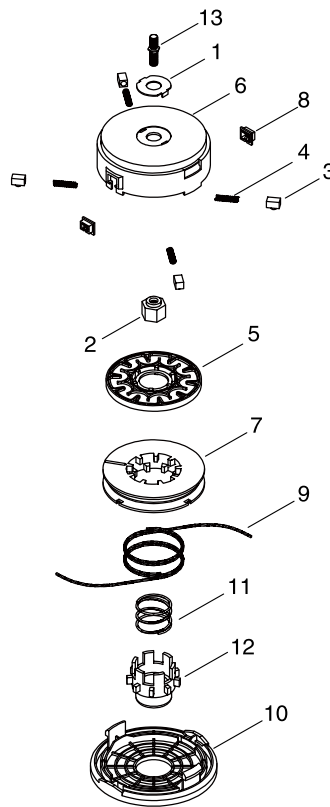
KEY	LV	PART NUMBER	Q'TY	DESCRIPTION	REMARKS	NOTE1	NOTE2
1		P021-028931	1	GUARD SET			
2	+	C550-000430	1	GUARD			
3	+	P021-028451	1	SUB GUARD ASSY			
4	++	C554-000040	1	CUTTER			
6	++	91122-05016	2	BOLT	CB-5*16 SW		
7	++	V263-000130	2	NUT			
8	+	C551-000060	1	UPPER CLAMP			
9	+	V203-000611	4	BOLT,5	M5X45 WSW		
10		C062-000430	1	HARNESS ASSY			

12. ACCESSORIES



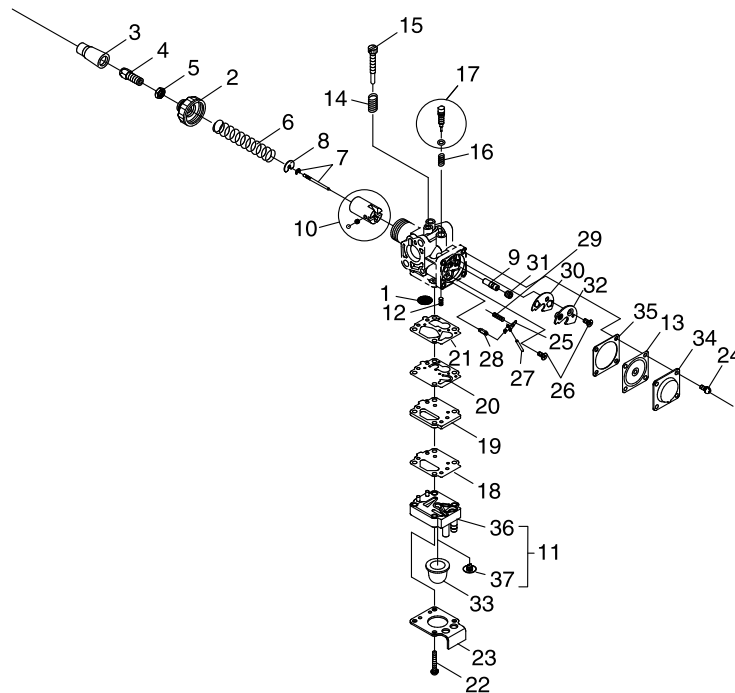
KEY	LV	PART NUMBER	Q'TY	DESCRIPTION	REMARKS	NOTE1	NOTE2
1		X047-000600	1	CUTTER,ASM LINE	SEMI-AUTOMATIC		
2		X602-000140	1	WRENCH 17X19			
4		X605-000100	1	TOOL,L WRENCH	4MM M5		
5		X605-000070	1	HEXA WRENCH 6MM			
6		X600-000020	1	SPANNER			
7		X705-000180	1	TOOL BAG			
8		X690-000080	1	GOGGLE	SI CHINA, Z87.1		
9		P021-034750	1	BLADE COVER			

13. NYLON LINE CUTTER



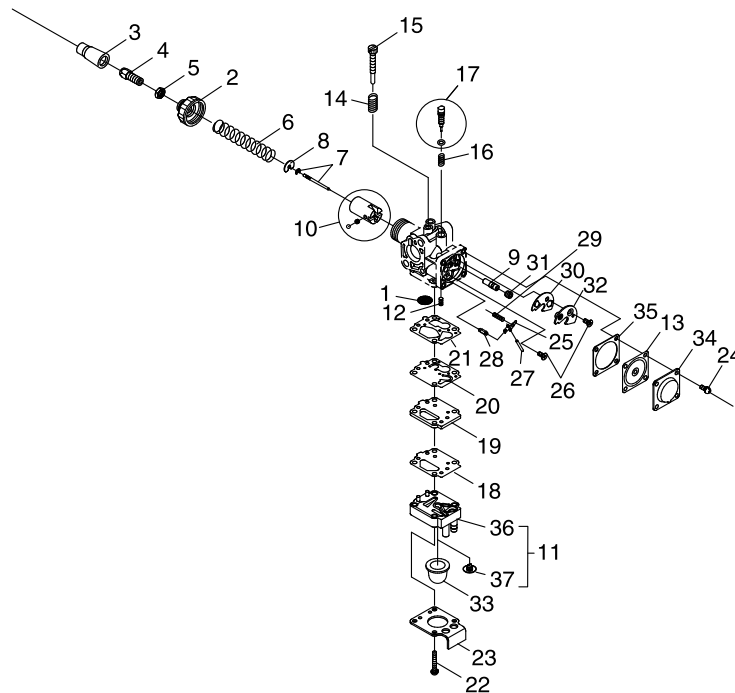
KEY	LV	PART NUMBER	Q'TY	DESCRIPTION	REMARKS	NOTE1	NOTE2
		X047-000600	1	CUTTER,ASM LINE	SEMI-AUTOMATIC		
1	+	P022-023160	1	SPACER			
2	+	P022-035010	1	NUT			
3	+	P022-035270	4	SLIDE CAM			
4	+	P022-035280	4	COIL SPRING			
5	+	P022-035290	1	GEAR PLATE			
6	+	P022-035300	1	HOUSING			
7	+	P022-035310	1	BOBBIN			
8	+	P022-000710	2	EYELET			
9	+	P022-035320	2	NYLON CORD			
10	+	P022-035330	1	COVER			
11	+	P022-035340	1	COIL SPRING			
12	+	P022-035350	1	KNOB			
13	+	P022-035360	1	BOLT			

14. CARBURETOR



KEY	LV	PART NUMBER	Q'TY	DESCRIPTION	REMARKS	NOTE1	NOTE2
		A021-002580	1	CARBURETOR ASSY			
1	+	P004-001640	1	SCREEN			
2	+	124113-05910	1	COVER, TOP			
3	+	124174-11120	1	CAP			
4	+	124158-13410	1	ADJUST, CABLE			
5	+	124111-05810	1	NUT			
6	+	124114-11120	1	SPRING, THROTTLE			
7	+	P004-003330	1	JET NEEDLE			
8	+	124115-11120	1	SEAT, SPRING			
9	+	P004-002730	1	NEEDLE JET			
10	+	P004-002680	1	THROTTLE VALVE			
11	+	P004-002690	1	PUMP COVER ASSY			
36	++	P004-003250	1	PUMP COVER			
37	++	124374-55430	1	VALVE, CHECK			
12	+	124367-55430	1	SPRING, COIL			
13	+	P004-002720	1	DIAPHRAGM			
14	+	124160-11120	1	SPRING, IDLE ADJUST			
15	+	124159-05530	1	SCREW, IDLE ADJUST			
16	+	124355-21330	1	SPRING, ADJUSTMENT			
17	+	P004-003280	1	SCREW, MAIN ADJUST			
18	+	124363-12710	1	GASKET, FUEL PUMP			
19	+	124362-12710	1	PLATE, PUMP			
20	+	124364-12710	1	DIAPHRAGM, FUEL PUMP	NBR		
21	+	124361-12710	1	GASKET			
22	+	P004-002700	4	SCREW			
23	+	P004-002710	1	PUMP PLATE			

14. CARBURETOR



KEY	LV	PART NUMBER	Q'TY	DESCRIPTION	REMARKS	NOTE1	NOTE2
24	+	P004-001000	4	SCREW			
25	+	124321-50430	1	LEVER, INLET CONTROL			
26	+	P004-001350	2	SCREW			
27	+	124332-21330	1	PIN, LEVER			
28	+	P004-001660	1	NEEDLE VALVE			
29	+	124331-49930	1	SPRING, TENSION			
30	+	P004-003000	1	PACKING			
31	+	P004-002980	1	HOLDER			
32	+	P004-003010	1	PLATE			
33	+	124380-12710	1	PUMP, PRIMING			
34	+	P004-001720	1	COVER DIAPHRAGM			
35	+	P004-000590	1	GASKET, DIAPHRAGM			

Index

Patrs Number	Key No.	Patrs Number	Key No.	Patrs Number	Key No.
124111-05810	14 - 5	92424-35000	9 - 9	A566-000150	3 - 10
124113-05910	14 - 2	93115-03010	4 - 2	A570-000200	2 - 13
124114-11120	14 - 6	A011-000840	3 - 6	A575-000440	2 - 29
124115-11120	14 - 8	A021-002580	6 - 1	C044-000882	10 - 1
124158-13410	14 - 4	A021-002580	14 -	C051-000612	9 - 1
124159-05530	14 - 15	A023-000160	6 - 6	C062-000430	11 - 10
124160-11120	14 - 14	A030-000270	1 - 9	C063-000030	8 - 4
124174-11120	14 - 3	A033-000330	7 - 3	C403-000420	10 - 29
124321-50430	14 - 25	A050-000200	5 - 1	C412-000430	10 - 2
124331-49930	14 - 29	A052-000380	5 - 11	C412-000441	10 - 3
124332-21330	14 - 27	A056-000451	3 - 7	C412-000450	8 - 3
124355-21330	14 - 16	A058-000010	2 - 28	C423-000710	10 - 18
124361-12710	14 - 21	A100-000680	3 - 1	C423-000730	10 - 19
124362-12710	14 - 19	A101-000370	3 - 2	C423-000750	10 - 20
124363-12710	14 - 18	A120-000370	2 - 2	C423-000760	10 - 21
124364-12710	14 - 20	A120-000380	2 - 6	C423-000770	10 - 22
124367-55430	14 - 12	A130-001780	1 - 1	C450-000581	10 - 4
124374-55430	14 - 37	A160-001650	2 - 22	C460-000241	10 - 5
124380-12710	14 - 33	A172-001270	2 - 12	C461-000080	10 - 8
159010-10130	4 - 13	A175-000210	7 - 17	C482-000070	6 - 19
890617-43130	8 - 13	A200-000680	1 - 5	C487-000280	8 - 8
900105-05025	1 - 3	A226-000680	6 - 9	C501-000090	8 - 2
900105-05030	2 - 10	A232-000880	6 - 15	C504-000740	8 - 10
900105-05035	1 - 4	A244-000180	6 - 11	C531-000601	9 - 2
900105-05075	6 - 12	A300-001140	1 - 10	C534-000910	9 - 7
900105-06025	1 - 15	A313-001300	1 - 11	C535-000770	9 - 20
900330-50100	2 - 9	A320-000780	2 - 26	C535-000790	9 - 23
900500-00005	8 - 7	A350-001370	7 - 2	C535-000800	9 - 22
900500-00006	9 - 26	A356-000050	7 - 10	C550-000430	11 - 2
900503-00010	4 - 3	A369-000101	7 - 9	C551-000060	11 - 8
900603-00006	9 - 27	A409-000650	4 - 1	C551-000110	9 - 25
900605-00004	4 - 9	A411-000790	4 - 5	C554-000040	11 - 4
900605-00005	6 - 13	A426-000040	4 - 12	P004-000590	14 - 35
900605-00010	4 - 4	A427-000060	4 - 11	P004-001000	14 - 24
900706-00012	9 - 13	A429-000120	2 - 23	P004-001350	14 - 26
900800-06001	9 - 11	A430-000000	10 - 30	P004-001640	14 - 1
900802-06000	9 - 3	A500-000860	5 - 2	P004-001660	14 - 28
900804-06001	9 - 12	A504-000130	5 - 4	P004-001720	14 - 34
900810-06202	9 - 4	A506-000260	5 - 3	P004-002680	14 - 10
900810-36202	2 - 3	A509-000180	5 - 5	P004-002690	14 - 11
900810-36202	2 - 7	A511-000210	5 - 6	P004-002700	14 - 22
900812-06202	2 - 14	A514-000120	5 - 13	P004-002710	14 - 23
91100-04024	4 - 8	A520-000160	5 - 12	P004-002720	14 - 13
91122-05016	11 - 6	A522-000040	5 - 7	P004-002730	14 - 9
91142-06025	10 - 26	A551-000120	3 - 11	P004-002980	14 - 31
91335-05022	10 - 13	A552-000121	3 - 8	P004-003000	14 - 30
92114-05000	10 - 14	A555-000130	3 - 9	P004-003010	14 - 32
92424-28000	9 - 14	A556-001600	2 - 15	P004-003250	14 - 36
92424-35000	2 - 17	A557-000120	3 - 12	P004-003280	14 - 17

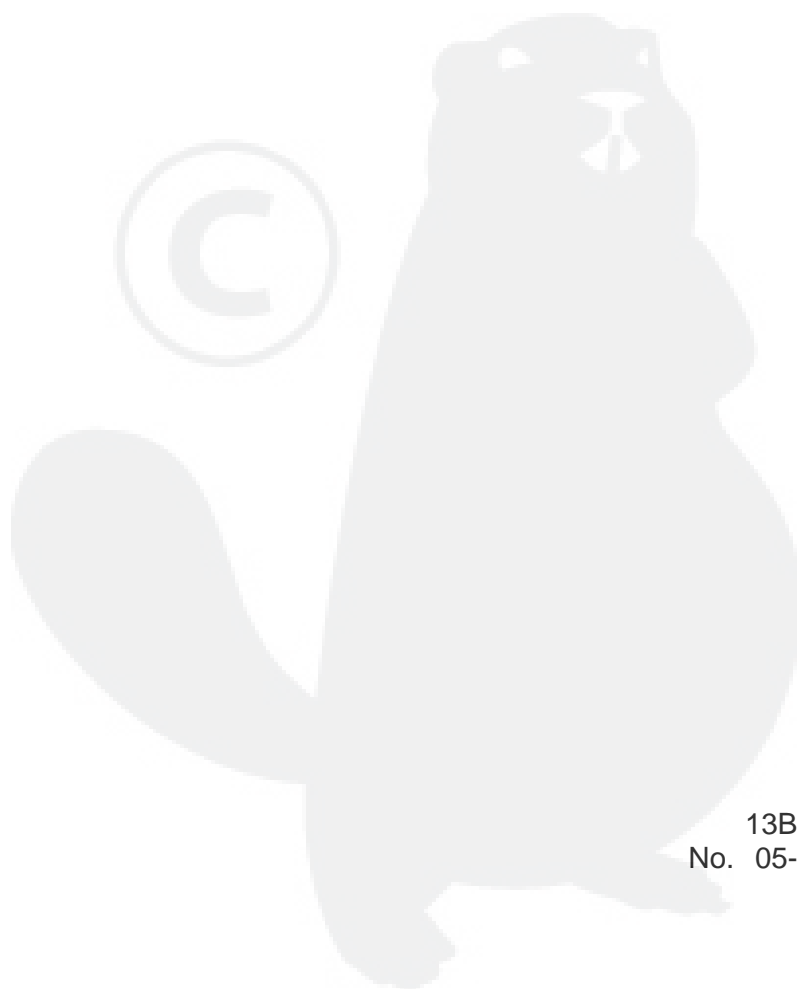
Index

Patrs Number	Key No.	Patrs Number	Key No.	Patrs Number	Key No.
P004-003330	14 - 7	V203-000701	8 - 5	V508-000050	2 - 4
P021-027760	2 - 1	V203-000880	3 - 13	V508-000050	2 - 8
P021-027770	2 - 5	V204-000411	2 - 32	V513-000000	9 - 5
P021-027783	2 - 11	V204-000450	9 - 18	V556-000030	3 - 5
P021-027790	2 - 21	V204-000740	9 - 17	V580-000100	3 - 4
P021-028000	6 - 14	V206-000250	9 - 15	V583-000140	5 - 15
P021-028451	11 - 3	V206-000530	9 - 24	V583-000181	2 - 16
P021-028610	8 - 1	V252-000090	10 - 15	V585-000040	8 - 11
P021-028931	11 - 1	V252-000180	1 - 13	V609-000050	3 - 3
P021-033251	10 - 17	V252-000360	10 - 12	V641-000140	9 - 21
P021-034560	7 - 5	V253-000440	2 - 18	V651-000540	9 - 8
P021-034750	12 - 9	V253-000560	5 - 8	V651-000550	9 - 10
P021-035440	10 - 27	V262-000100	10 - 16	X047-000600	12 - 1
P022-000710	13 - 8	V263-000130	11 - 7	X047-000600	13 -
P022-023160	13 - 1	V263-000180	1 - 8	X504-007550	5 - 10
P022-035010	13 - 2	V266-000070	5 - 18	X504-007560	2 - 20
P022-035270	13 - 3	V299-000390	2 - 24	X508-000260	8 - 14
P022-035280	13 - 4	V299-000410	6 - 16	X517-000140	8 - 12
P022-035290	13 - 5	V302-000010	4 - 10	X524-002380	8 - 15
P022-035300	13 - 6	V303-000150	5 - 9	X600-000020	12 - 6
P022-035310	13 - 7	V303-000200	6 - 17	X602-000140	12 - 2
P022-035320	13 - 9	V307-000230	9 - 16	X605-000070	12 - 5
P022-035330	13 - 10	V322-000040	4 - 7	X605-000100	12 - 4
P022-035340	13 - 11	V323-000090	6 - 7	X690-000080	12 - 8
P022-035350	13 - 12	V358-000130	9 - 6	X705-000180	12 - 7
P022-035360	13 - 13	V364-000050	8 - 9		
V043-000540	10 - 10	V375-000350	2 - 33		
V100-000450	1 - 2	V420-002460	10 - 23		
V103-001020	1 - 6	V420-002470	10 - 24		
V103-001030	6 - 18	V420-002490	2 - 30		
V103-001040	6 - 10	V420-002500	2 - 31		
V104-001350	1 - 12	V420-002510	7 - 15		
V104-001360	1 - 14	V420-002520	7 - 16		
V105-000020	5 - 16	V430-002930	6 - 2		
V107-000010	7 - 4	V450-001010	10 - 9		
V136-000040	4 - 14	V450-001020	10 - 6		
V137-000090	7 - 7	V452-000520	5 - 14		
V162-000410	10 - 11	V452-000690	10 - 7		
V186-000210	7 - 14	V471-002480	7 - 6		
V203-000530	6 - 8	V471-002490	7 - 12		
V203-000581	1 - 7	V475-004500	6 - 3		
V203-000581	2 - 19	V475-004810	6 - 20		
V203-000591	1 - 17	V475-005280	4 - 6		
V203-000591	2 - 27	V485-001700	6 - 4		
V203-000591	7 - 18	V485-001710	6 - 5		
V203-000611	1 - 16	V490-000500	7 - 8		
V203-000611	11 - 9	V490-000500	7 - 11		
V203-000631	5 - 17	V490-000500	7 - 13		
V203-000631	10 - 25	V495-001530	6 - 21		

YAMABIKO CORPORATION

7-2 SUEHIROCHO 1-CHOME, OHME, TOKYO 198-8760, JAPAN
PHONE: 81-428-32-6118. FAX: 81-428-32-6145.

shindaiwa[®]



13Bb
No. 05-164