

shindaiwa[®]

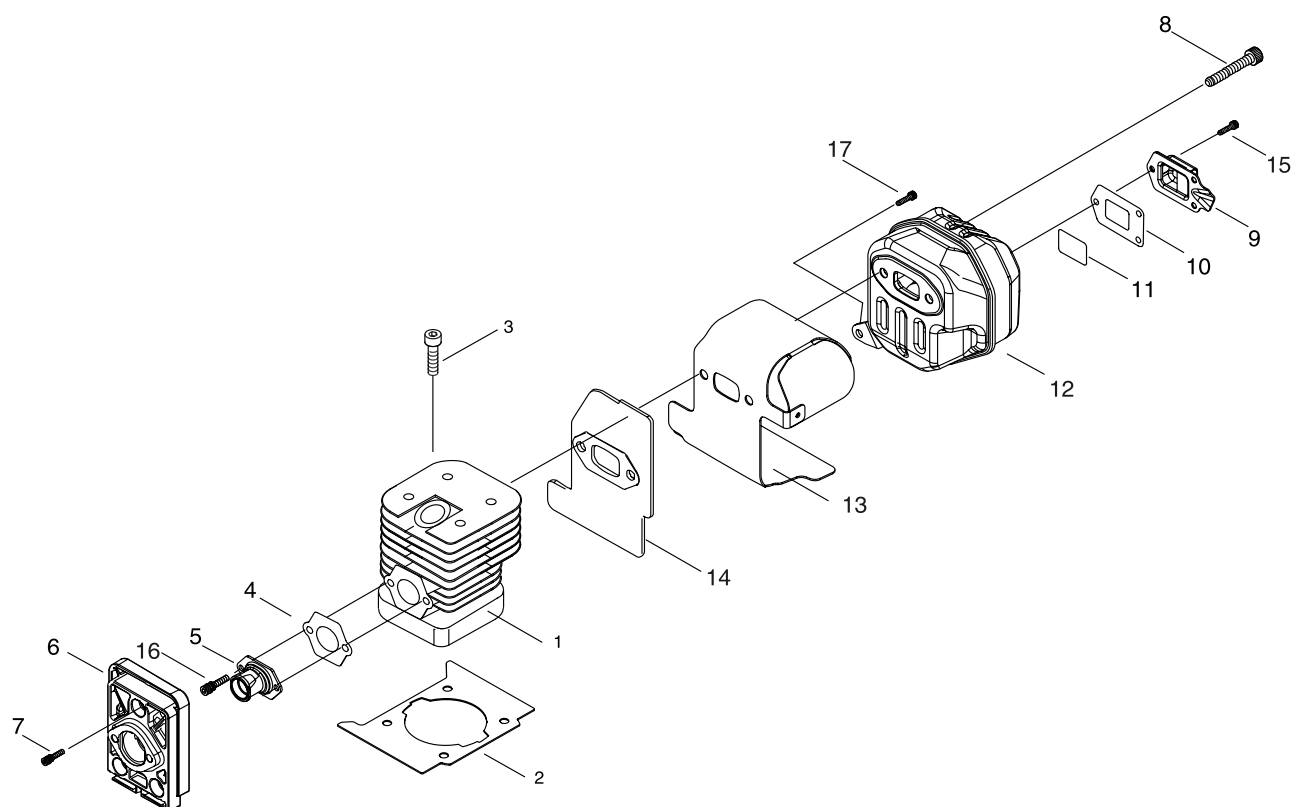
PARTS CATALOG

BRUSHCUTTER B410S(37)

37000001 -

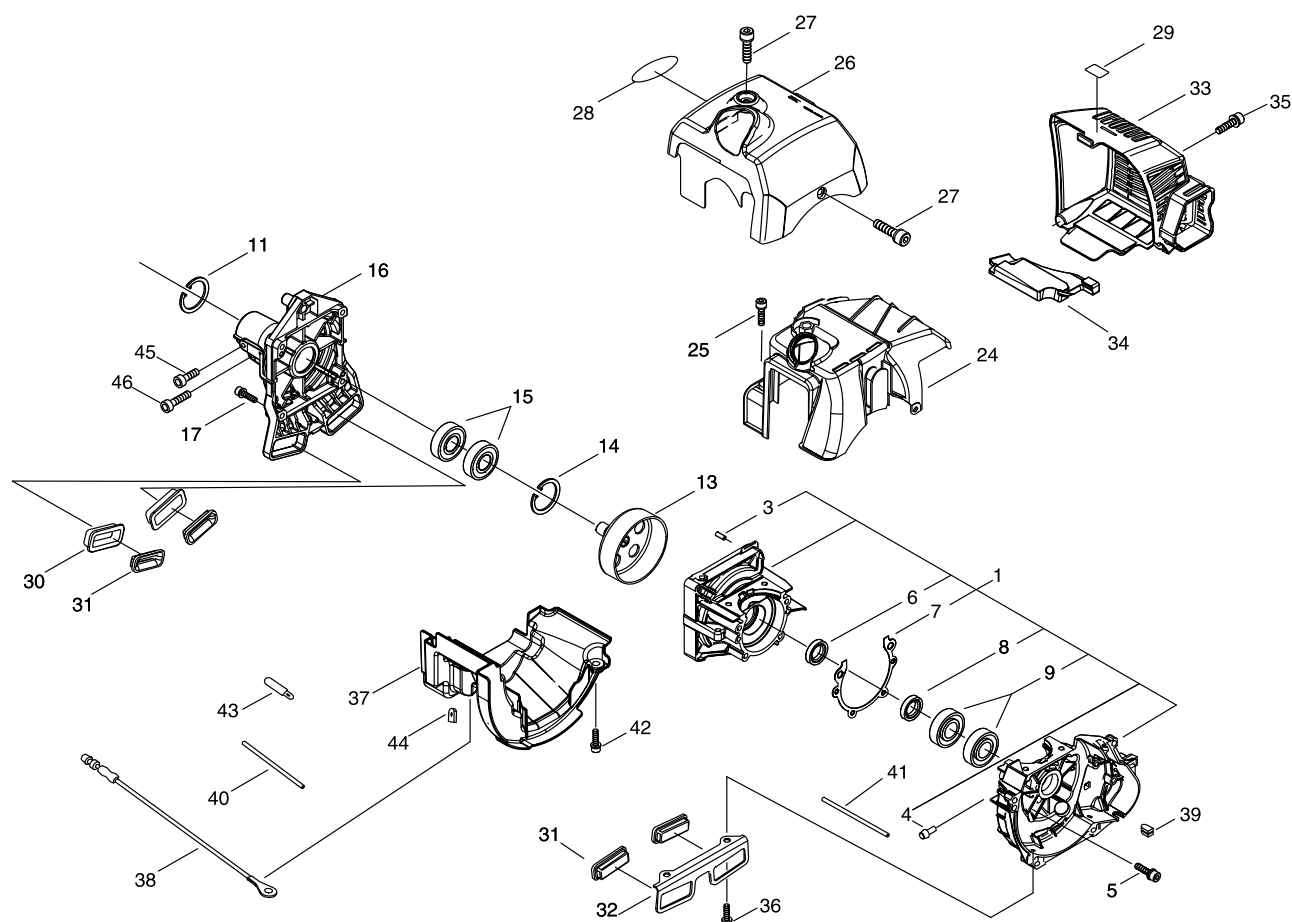
P016-001270-12Jb

1. CYLINDER, MUFFLER



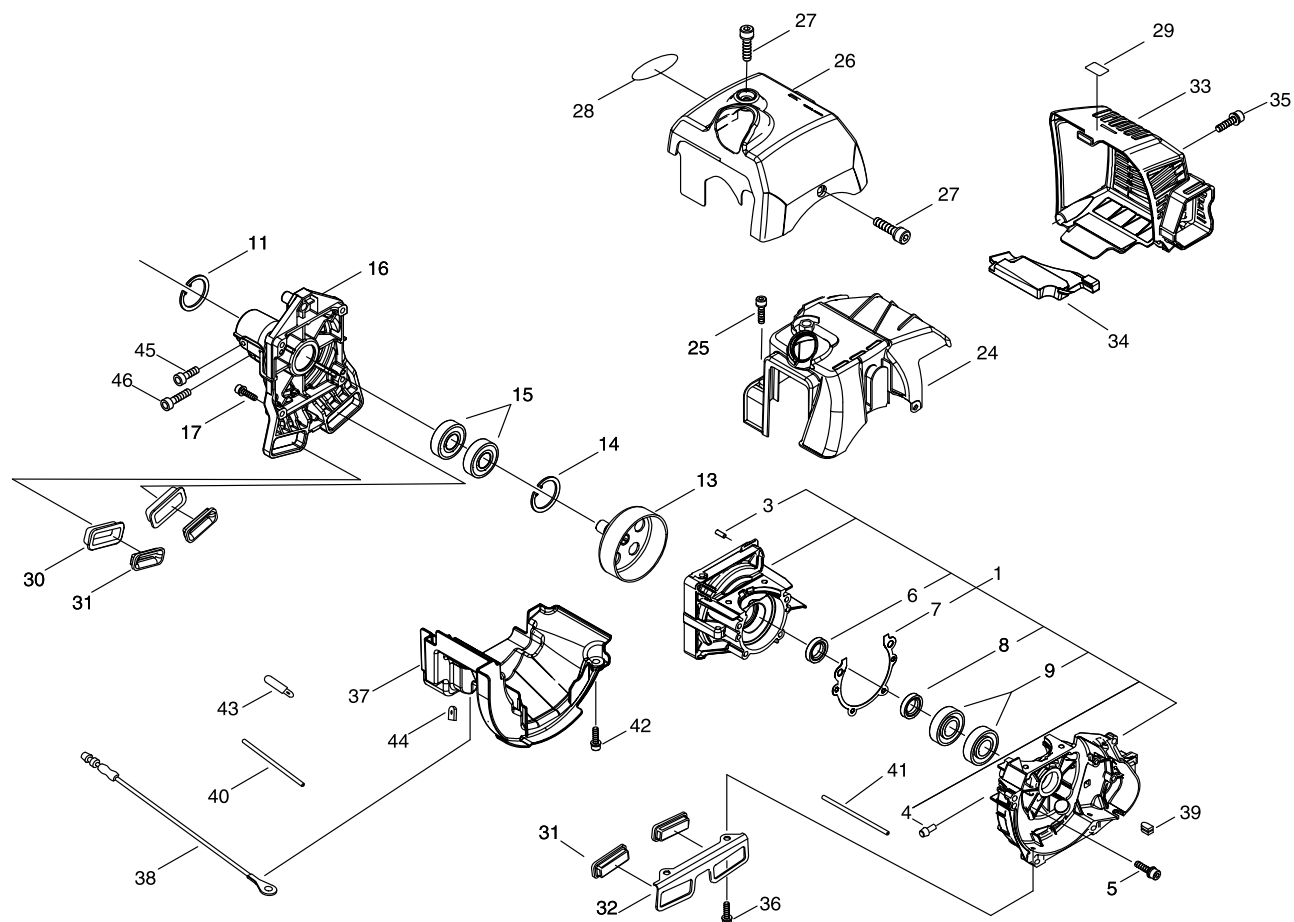
KEY	LV	PART NUMBER	Q'TY	DESCRIPTION	REMARKS	NOTE1	NOTE2
1		A130-002070	1	CYLINDER			
2		V100-000760	1	GASKET,CYL			
3		V805-000210	4	BOLT, TORX 5	TB-5*20 12.9		
4		V103-001620	1	GASKET,INTAKE			
5		A202-000250	1	BELLOWS, INTAKE			
6		A200-000990	1	INSULATOR, INTAKE			
7		V835-000030	3	BOLT, TORX 5	TB-5*20 10.9		
8		V806-000050	2	BOLT, TORX 6	TB-6*20 12.9		
9		A313-001910	1	GUIDE, EXHAUST			
10		V104-002040	1	GASKET,EXHAUST			
11		145862-40630	1	SCREEN, MUFFLER			
12		A300-001700	1	MUFFLER, EXHAUST			
13		V104-002020	1	GASKET,EXHAUST			
14		V104-002030	1	GASKET,EXHAUST			
15		V804-000080	3	BOLT, TORX 4	TB4*8		
16		V835-000010	2	BOLT, TORX 5	TB-5*12 10.9		
17		V805-000250	1	BOLT, TORX 5	TB-5*16 12.9		

2. CRANKCASE, FANCOVER



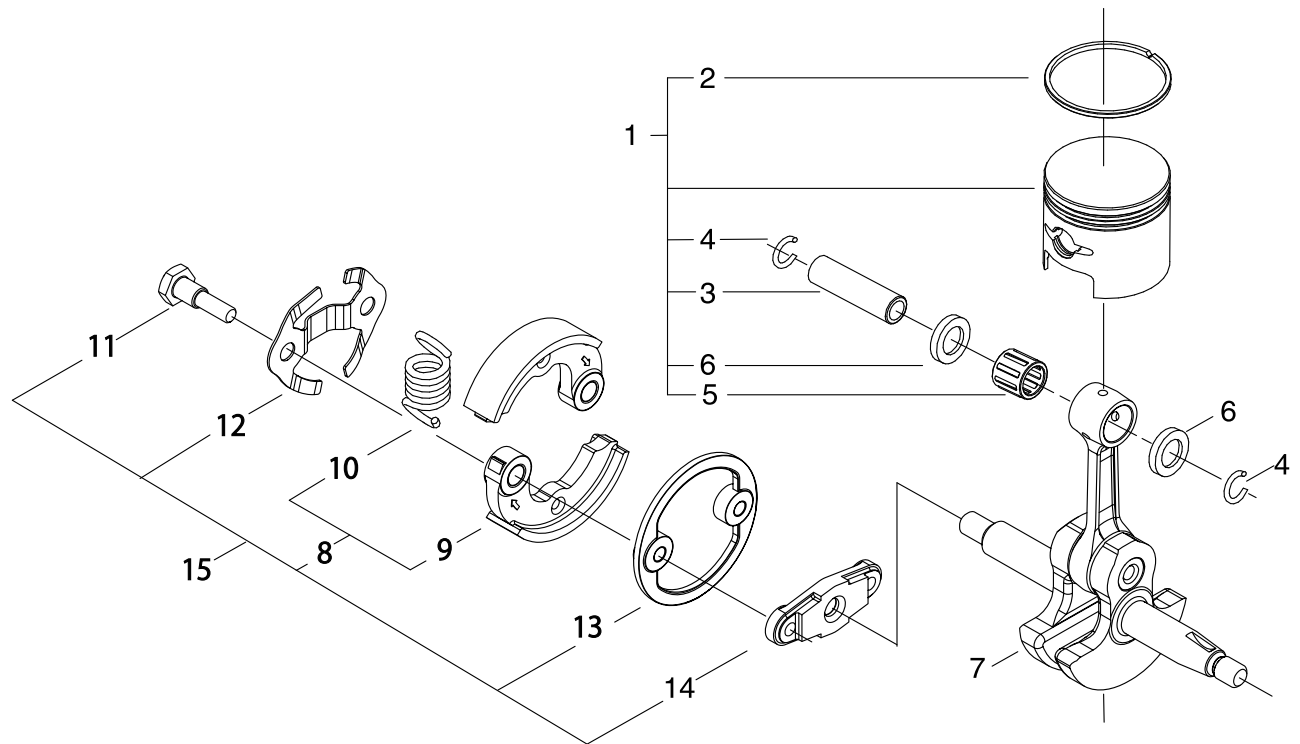
KEY	LV	PART NUMBER	Q'TY	DESCRIPTION	REMARKS	NOTE1	NOTE2
1		P021-041380	1	CRANKCASE SET			
3	+	900330-40080	4	PIN F 4*8	4*8		
4	+	130113-12330	1	CONNECTER			
6	+	V505-000020	1	SEAL,OIL 12	12*22*7		
7	+	V102-000250	1	GASKET,CRANKCASE			
8	+	100213-05530	1	OILSEAL	ISCD 12 22 7		
9	+	900888-36201	2	BEARING, BALL 6201	6201		
5		V805-000290	4	BOLT, TORX 5	TB-5*35 12.9		
11		900701-00012	1	CIRCLIP 12	CS-12		
13		A556-001540	1	DRUM, CLUTCH			
14		900702-00028	1	CIRCLIP 28	CR-28		
15		94018-46001	2	BEARING, BALL			
16		A570-000290	1	CASE,CLUTCH			
17		V805-000170	4	BOLT, TORX 5	TB-5*25 10.9		
24		A160-002620	1	COVER,CYLINDER			
25		V835-000000	1	BOLT, TORX 5			
26		A160-002721	1	COVER,CYLINDER			
27		V835-000000	2	BOLT, TORX 5			
28		X504-007320	1	LABEL,BRAND	SHINDAIWA/410S		
29		X505-002310	1	LABEL,CAUTION	HOT CAUTION		
30		V423-000090	2	HOLDER,CUSHION			
31		131920-61830	4	CUSHION, FUEL TANK			
32		A393-000300	1	BRACKET,FUEL TANK	T1.5		
33		A320-001000	1	COVER,MUFFLER			
34		V541-000540	1	SEAL			

2. CRANKCASE, FANCOVER



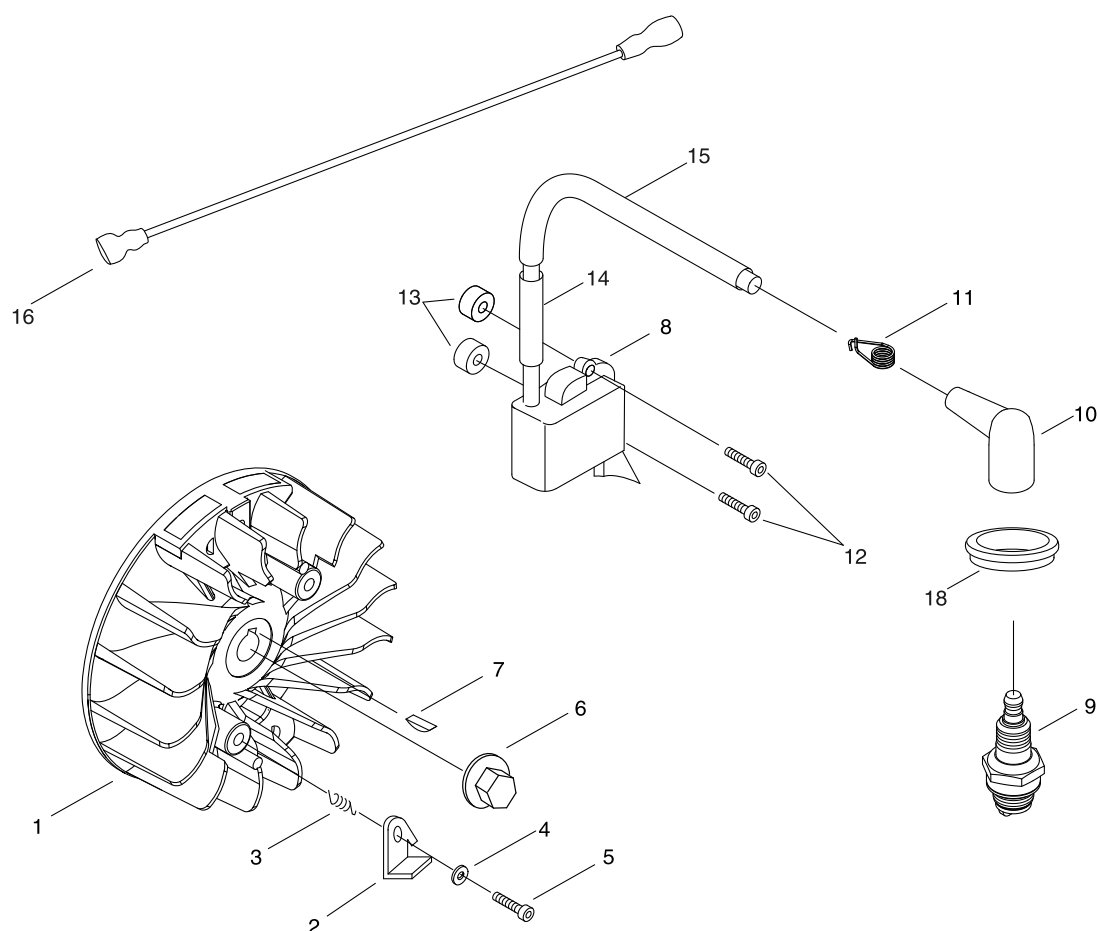
KEY	LV	PART NUMBER	Q'TY	DESCRIPTION	REMARKS	NOTE1	NOTE2
35		V805-000260	2	BOLT, TORX 5	TB-5*25 半10.9		
36		V805-000150	2	BOLT, TORX 5	TB-5*16 10.9		
37		A209-000740	1	PLATE, INSULATOR			
38		V485-002570	1	LEAD			
39		156114-07320	1	GROMMET			
40		V475-007610	1	TUBE	8*9*114		
41		V471-004040	1	PIPE	3*6*165		
42		V835-000000	2	BOLT, TORX 5			
43		159116-21231	1	CLAMP			
44		156110-04920	1	BUSHING			
45		V805-000130	1	BOLT, TORX 5	TB-5*10 10.9		
46		V805-000160	1	BOLT, TORX 5	TB-5*20 10.9		

3. CRANKSHAFT, PISTON



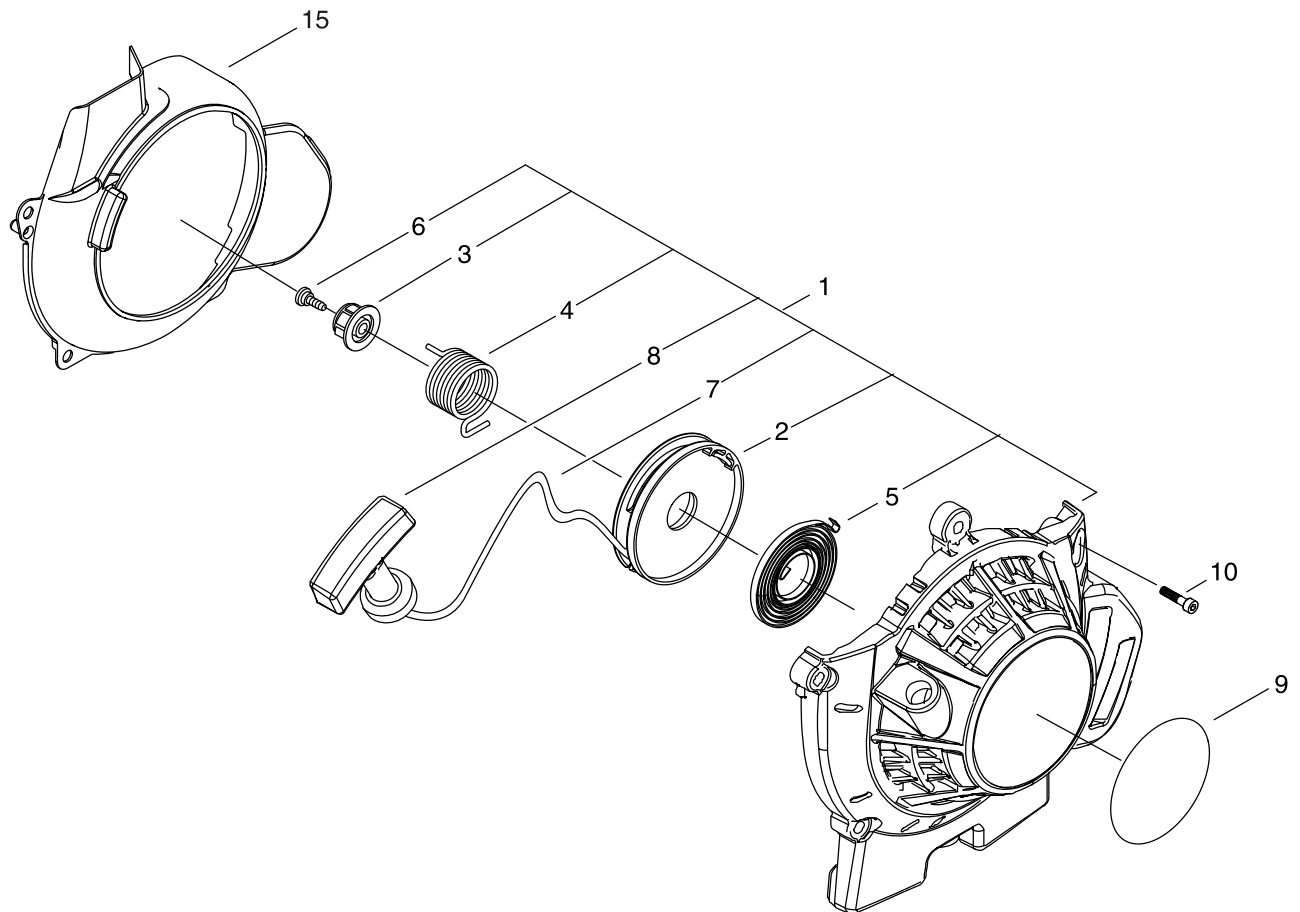
KEY	LV	PART NUMBER	Q'TY	DESCRIPTION	REMARKS	NOTE1	NOTE2
1		P021-041390	1	PISTON KIT			
2	+	A101-000160	2	RING, PISTON	40*B1.5*T1.8		
3	+	V608-000000	1	PIN, ENG 10			
4	+	V580-000010	2	RING, END	φ0.8		
5	+	100012-19830	1	BEARING, NEEDLE			
6	+	100014-17330	2	SPACER, PISTON PIN			
7		A011-001230	1	CRANKSHAFT, ASY			
15		P021-041140	1	CLUTCH ASY			
8	+	P021-041130	1	CLUTCH SHOE SET			
9	++	A553-000170	2	ARM, CLUTCH			
10	++	A566-000230	1	SPRING, CLUTCH			
11	+	A557-000190	2	SHAFT, CLUTCH			
12	+	V453-000230	1	SPRING, FLAT			
13	+	V376-001980	1	SPACER			
14	+	A552-000390	1	HUB, CLUTCH			

4. MAGNETO



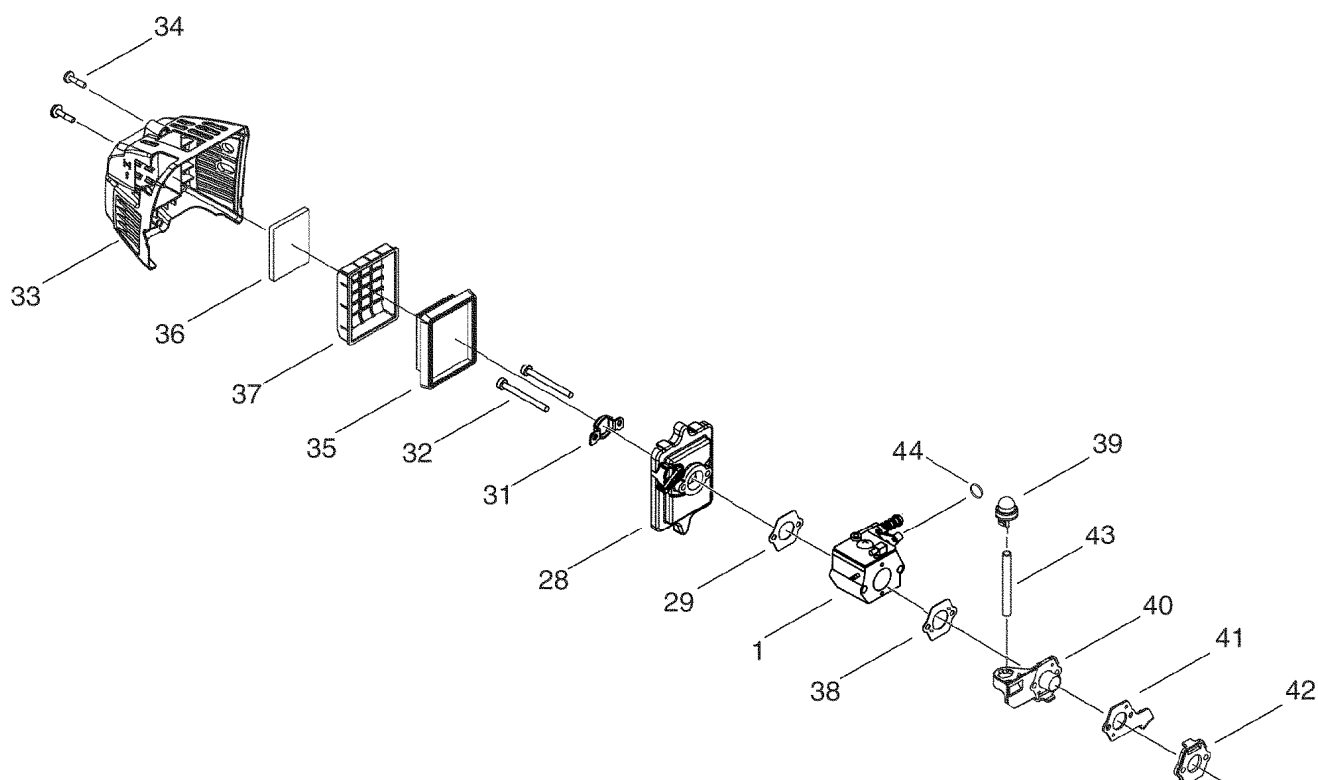
KEY	LV	PART NUMBER	Q'TY	DESCRIPTION	REMARKS	NOTE1	NOTE2
1		A409-001210	1	ROTOR, MAGNETO			
2		A514-000280	2	PAWL			
3		V452-001470	2	SPRING, TORSION			
4		177247-04630	2	SPACER, RATCHET	5.2*8*2.1		
5		V805-000140	2	BOLT, TORX 5	TB-5*12 10.9		
6		92105-08000	1	NUT, FLANGE	M8*1.25 L		
7		100142-12330	1	KEY, WOODRUFF			
8		A411-001370	1	COIL, IGNITION			
9		A425-000000	1	SPARKPLUG	BPMR8Y		
10		A427-000060	1	CAP, SPARK PLUG			
11		A426-000010	1	TERMINAL, SPARKPLUG			
12		V805-000150	2	BOLT, TORX 5	TB-5*16 10.9		
13		V353-000630	2	COLLAR, 5			
14		V475-007540	1	TUBE			
15		V475-007550	1	TUBE			
16		V485-002331	1	LEAD			
18		A429-000090	1	COVER, CAP			

5. RECOIL STARTER



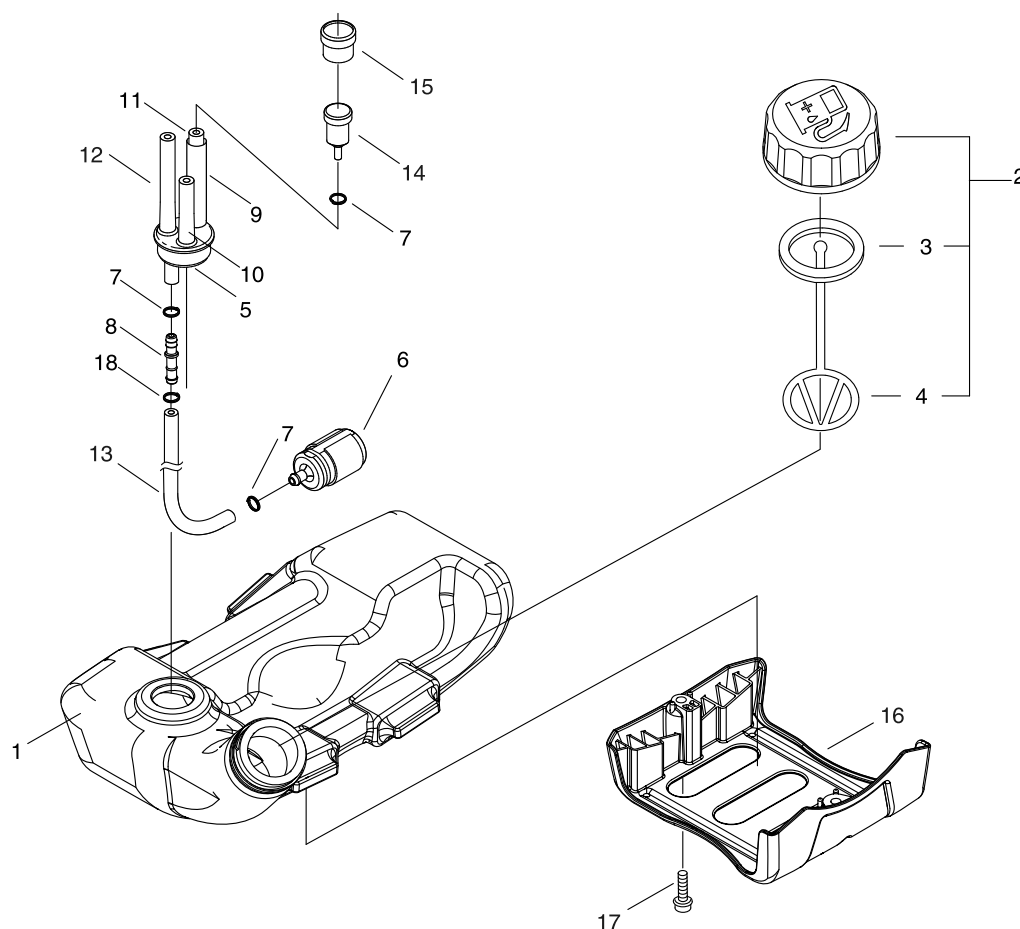
KEY	LV	PART NUMBER	Q'TY	DESCRIPTION	REMARKS	NOTE1	NOTE2
1		A051-002710	1	STARTER,RECOIL			
2	+	P022-023140	1	DRUM, STARTER			
3	+	A507-000140	1	CATCHER, PAWL			
4	+	P022-023120	1	SPRING,DAMPER			
5	+	P022-004680	1	SPRING, SPIRAL			
6	+	P022-023110	1	SCREW			
7	+	P022-023100	1	ROPE, STARTER			
8	+	177228-27030	1	GRIP, STARTER			
9		X504-007330	1	LABEL,BRAND	SHINDAIWA/B410 S		
10		V835-000030	4	BOLT, TORX 5	TB-5*20 10.9		
15		A172-002240	1	COVER,FAN			

6. AIR CLEANER



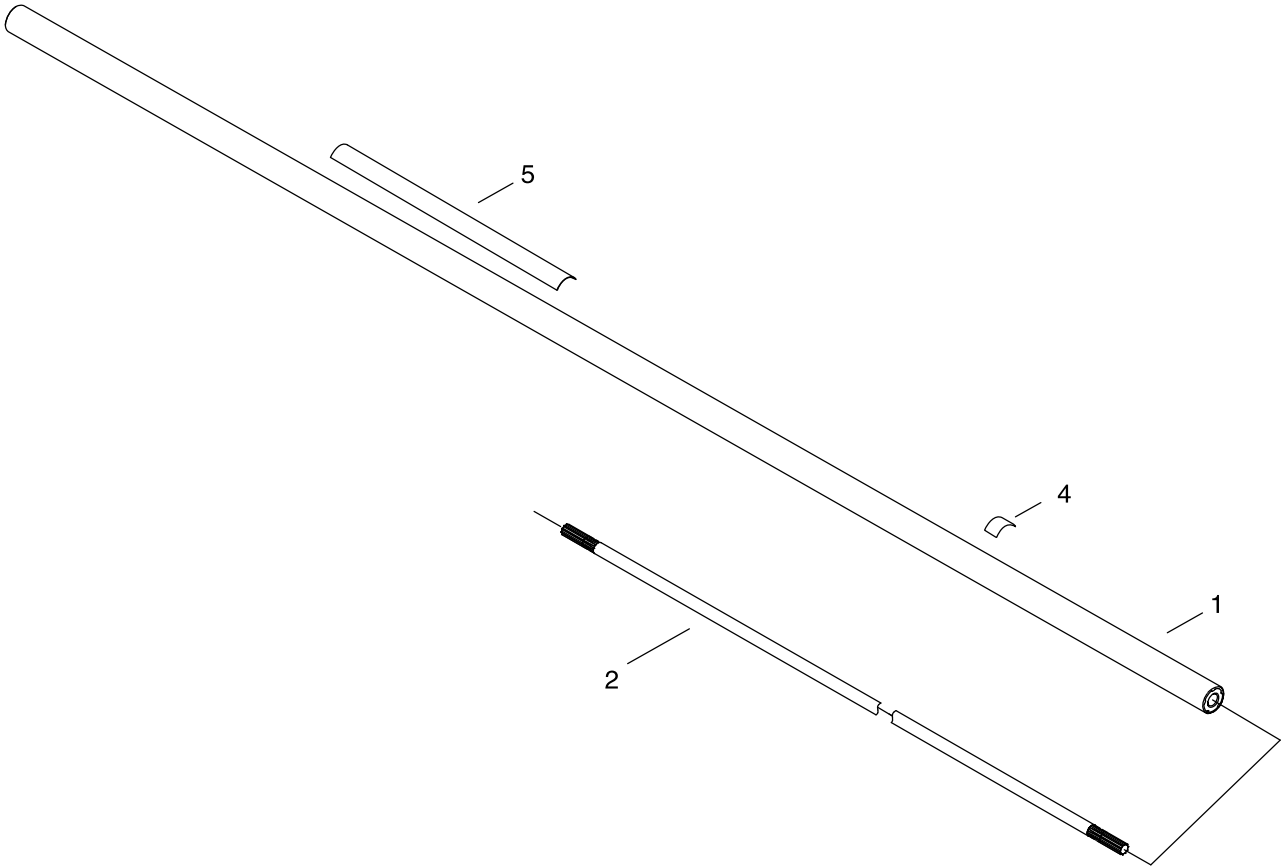
KEY	LV	PART NUMBER	Q'TY	DESCRIPTION	REMARKS	NOTE1	NOTE2
1		A021-003840	1	CARBURETOR,DIAPHRAGM	WT-		
28		P021-042880	1	CLEANER CASE ASY			
29		V103-000471	1	GASKET,INTAKE	T0.5		
31		A244-000290	1	PLATE, PREVENT			
32		V805-000100	2	BOLT, TORX 5	TB-5*65 10.9		
33		A232-001660	1	LID,CLEANER			
34		V253-000100	2	SCREW,5	5*20		
35		A226-001730	1	ELEMENT,AIR FILTER			
36		A226-001740	1	ELEMENT, AIR FILTER			
37		A227-000040	1	PLATE, ELEMENT			
38		V103-001610	1	GASKET,INTAKE			
39		123181-39130	1	PUMP, PRIMER			
40		A209-000730	1	PLATE, INSULATOR			
41		C487-000410	1	HOLDER, CABLE			
42		A209-000720	1	PLATE, INSULATOR			
43		V471-004050	1	PIPE	2.4*5*115		
44		V490-000440	1	CLIP			

7. FUEL TANK



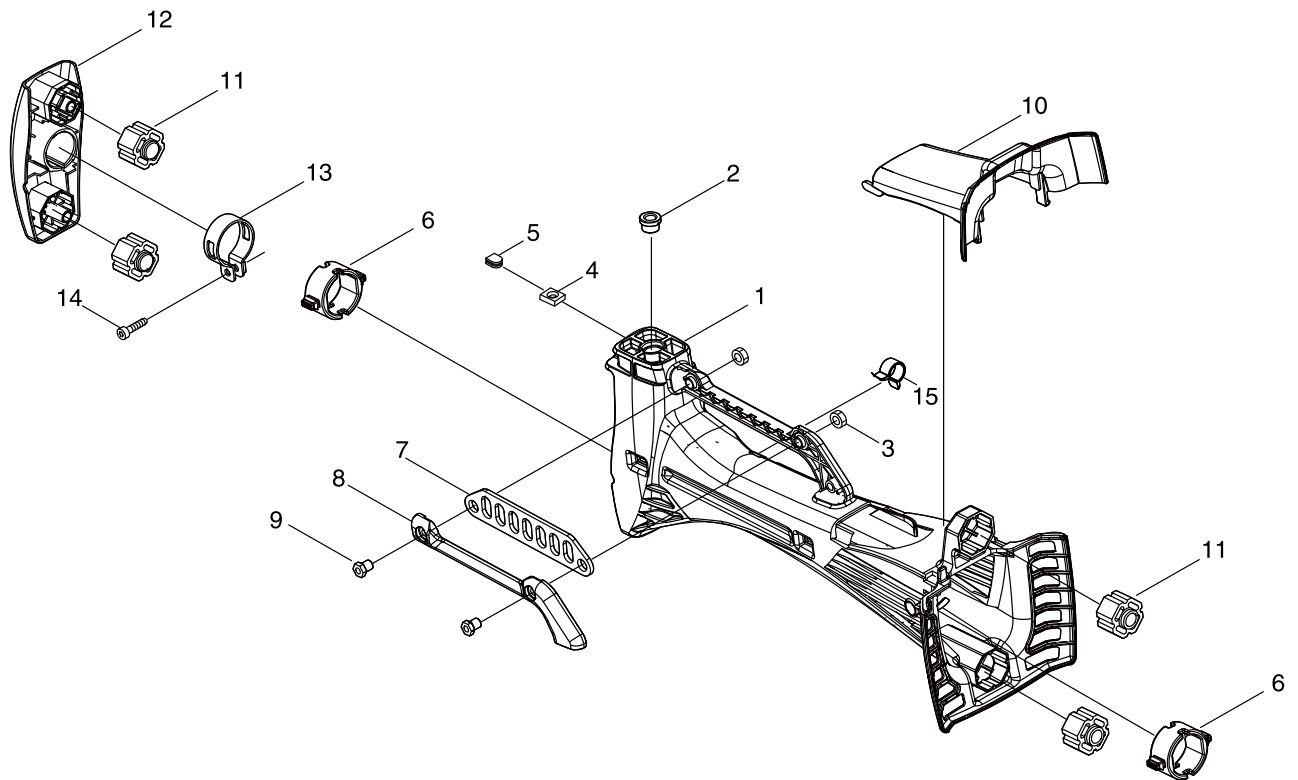
KEY	LV	PART NUMBER	Q'TY	DESCRIPTION	REMARKS	NOTE1	NOTE2
1		A350-002020	1	TANK, FUEL			
2		P021-035680	1	FUEL CAP ASY	T242		
3	+	131016-55830	1	GASKET, FUEL CAP			
4	+	A365-000060	1	CONNECTOR,CAP	L=123		
5		132115-55930	1	GROMMET, FUEL			
6		A369-000001	1	STRAINER, FUEL	125-528		
7		V490-001240	3	CLIP			
8		V186-000510	1	JOINT,PIPE			
9		V475-007610	1	TUBE	8*9*114		
10		V471-003950	1	PIPE			
11		130110-16430	1	PIPE, IMPULSE	3*6*140L		
12		V471-002310	1	PIPE	3*6*130		
13		V470-000840	1	PIPE			
14		131300-56431	1	VENT ASSEMBLY, FUEL			
15		131328-40630	1	COVER, VENT			
16		A175-000330	1	STAND			
17		V835-000000	2	BOLT, TORX 5			
18		130111-00530	1	CLIP	5.5		

8. MAIN PIPE



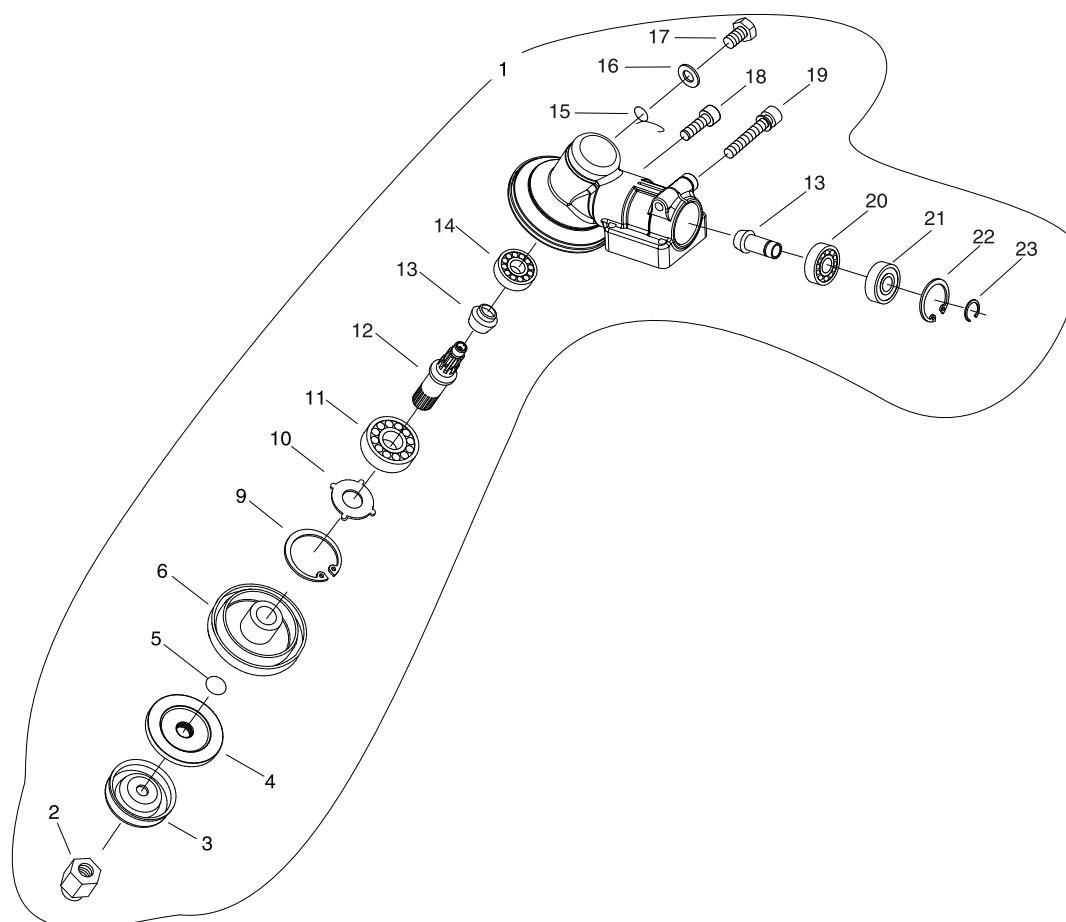
KEY	LV	PART NUMBER	Q'TY	DESCRIPTION	REMARKS	NOTE1	NOTE2
1		C050-002440	1	PIPE, MAIN			
2		610011-49931	1	SHAFT, DRIVE			
5		890617-43130	1	LABEL, CAUTION			

9. SUPPORT,HANDLE



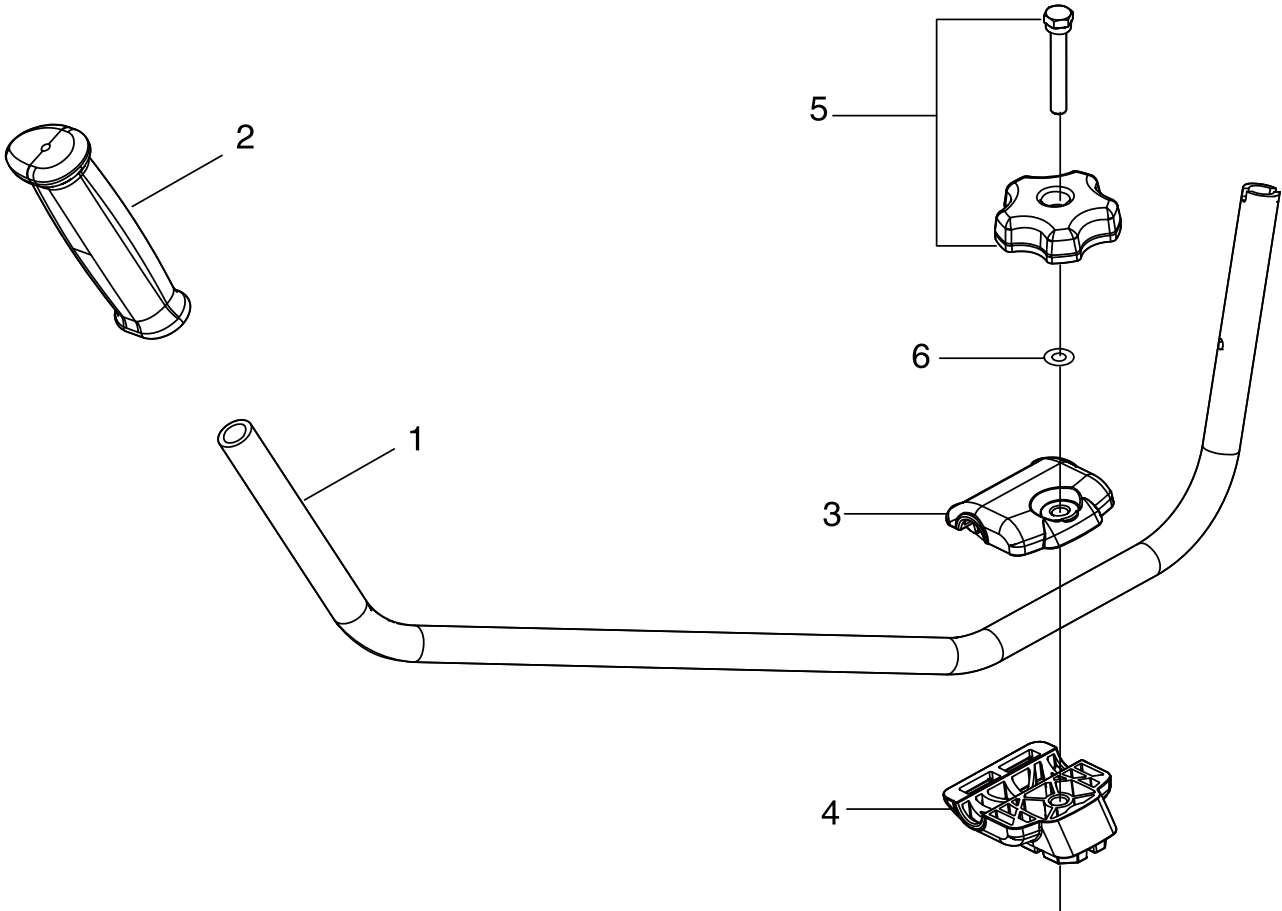
KEY	LV	PART NUMBER	Q'TY	DESCRIPTION	REMARKS	NOTE1	NOTE2
1		C415-000180	1	SUPPORT,HANDLE			
2		V355-000750	1	COLLAR,8	SRM-420ES		
3		V263-000020	2	NUT,5			
4		900565-50008	1	NUT			
5		101538-28230	1	GROMMET,PLUG			
6		C427-000050	2	STOPPER, HANDLE			
7		V150-003590	1	PLATE,EYE			
8		C648-000040	1	HOLDER,LIFTING			
9		V805-000150	2	BOLT, TORX 5	TB-5*16 10.9		
10		C480-000150	1	GUIDE,CABLE			
11		V420-004100	4	CUSHION			
12		C610-000070	1	FIXTURE,CUSHION			
13		V495-002880	1	BAND			
14		V805-000150	1	BOLT, TORX 5	TB-5*16 10.9		
15		V490-001220	1	CLIP			

10. GEAR CASE



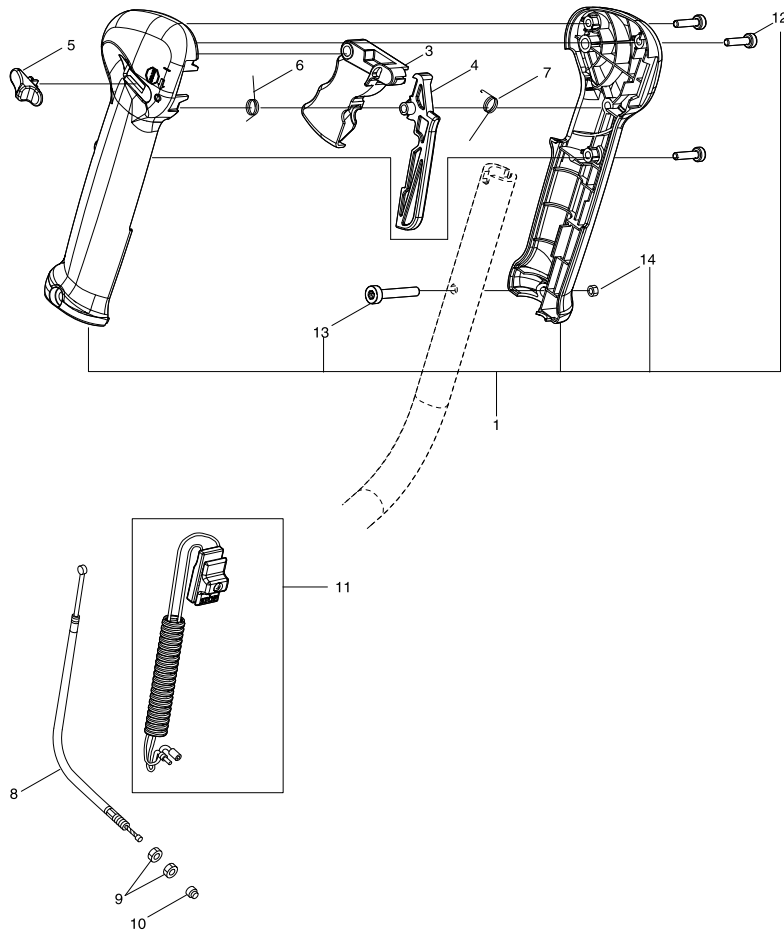
KEY	LV	PART NUMBER	Q'TY	DESCRIPTION	REMARKS	NOTE1	NOTE2
1		P021-041340	1	CASE,GEAR			
2	+	610320-52130	1	NUT 10			
3	+	699229-56830	1	PLATE, COVER			
4	+	610314-52130	1	PLATE, ADAPTER (L)			
5	+	900720-00012	1	O-RING 12	P-12		
6	+	610313-52932	1	FIXTURE, BLADE			
9	+	900702-00032	1	CIRCLIP 32	CR-32		
10	+	610444-56830	1	WASHER			
11	+	900812-06201	1	BEARING, BALL 6201			
12	+	610310-56932	1	SHAFT, P.T.O.			
13	+	610300-56930	1	GEAR SET			
14	+	900810-00629	1	BEARING, BALL 629			
15	+	V452-001310	1	SPRING, TORSION			
16	+	900603-50008	1	WASHER	8.5*18*0.8T		
17	+	610434-50031	1	BOLT 8*8	M8*8		
18	+	V805-000130	1	BOLT, TORX 5	TB-5*10 10.9		
19	+	V806-000100	1	BOLT, TORX 6	TB-6*30 10.9		
20	+	900800-06001	1	BEARING, BALL 6001			
21	+	900803-06001	1	BEARING, BALL 6001			
22	+	900702-00028	1	CIRCLIP 28	CR-28		
23	+	900701-00012	1	CIRCLIP 12	CS-12		

11. HANDLE



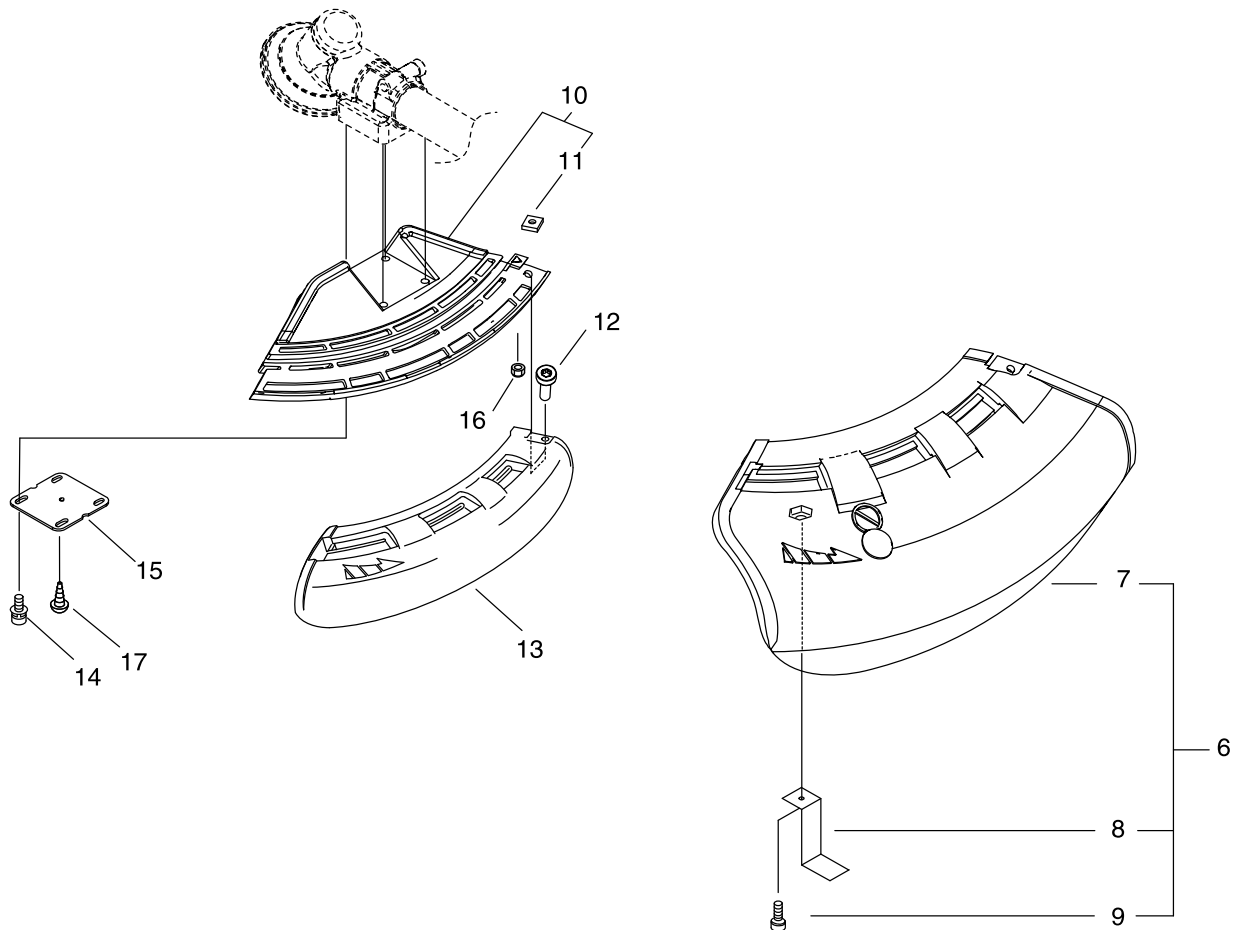
KEY	LV	PART NUMBER	Q'TY	DESCRIPTION	REMARKS	NOTE1	NOTE2
1		C400-001320	1	HANDLE, FRONT			
2		C403-000031	1	GRIP,HANDLE			
3		C423-000910	1	FIXTURE, HANDLE			
4		C423-000920	1	FIXTURE, HANDLE			
5		V299-000110	1	KNOB,FASTENER			
6		175049-03920	1	WASHER			

12. THROTTLE



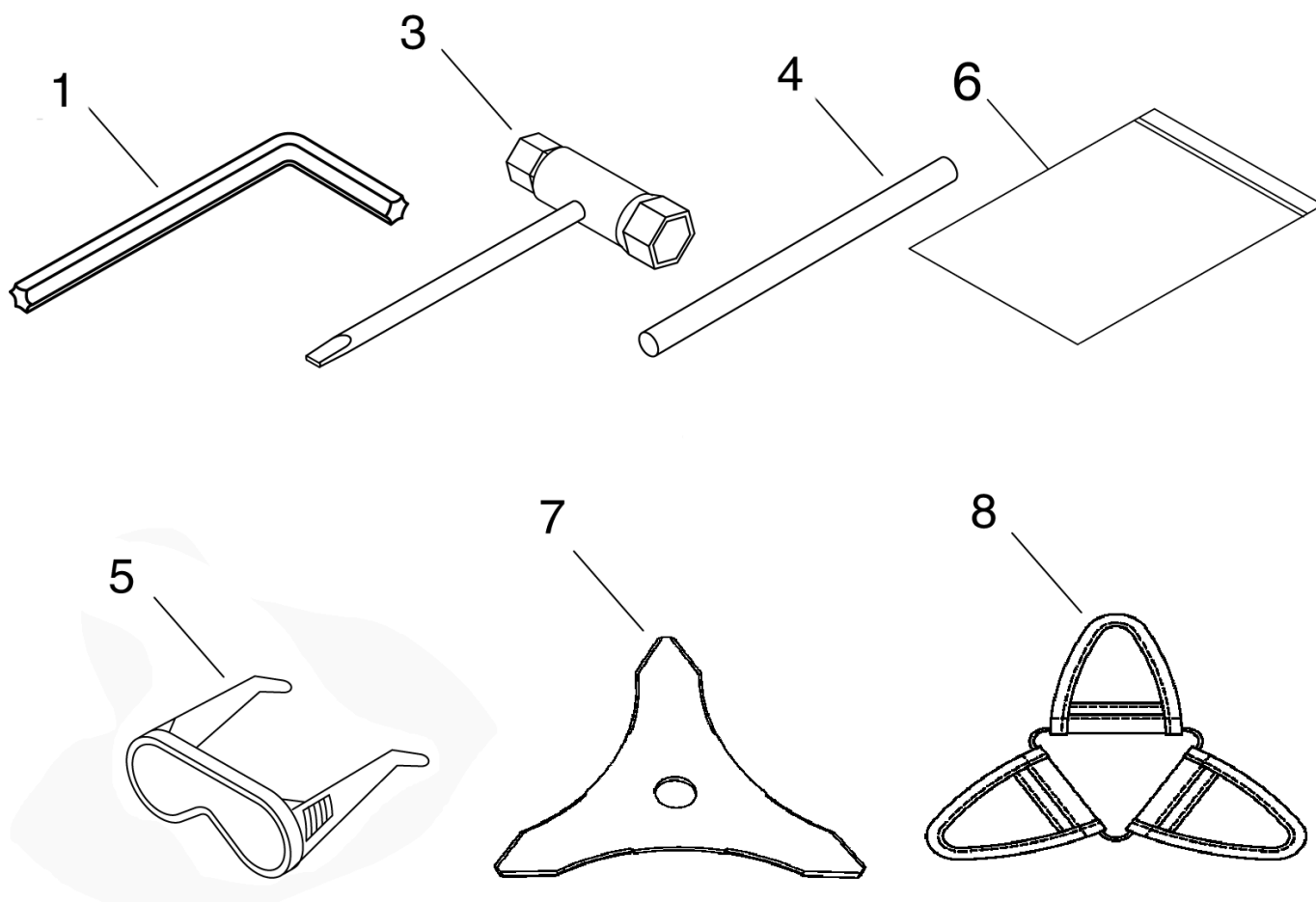
KEY	LV	PART NUMBER	Q'TY	DESCRIPTION	REMARKS	NOTE1	NOTE2
1		P021-016210	1	GRIP ASY,F-HANDLE			
12	+	V804-000010	3	BOLT, TORX 4	TT-4*16 DG 10.9		
13	+	V805-000050	1	BOLT, TORX 5	TB-5*30 10.9		
14	+	900500-00005	1	NUT 5	5		
3		C450-000790	1	TRIGGER, THROTTLE			
4		C460-000430	1	LOCKOUT, THROTTLE	70MM		
5		C463-000090	1	KNOB, LATCH			
6		V452-000360	1	SPRING, TORSION			
7		V452-000350	1	SPRING, TORSION			
8		V430-004241	1	CABLE, BOWDEN			
9		900502-00006	2	NUT 6 (3N)	3N6		
10		V494-000080	1	CAP			
11		P021-042890	1	SWITCH, ON OFF ASY			

13. SHIELD



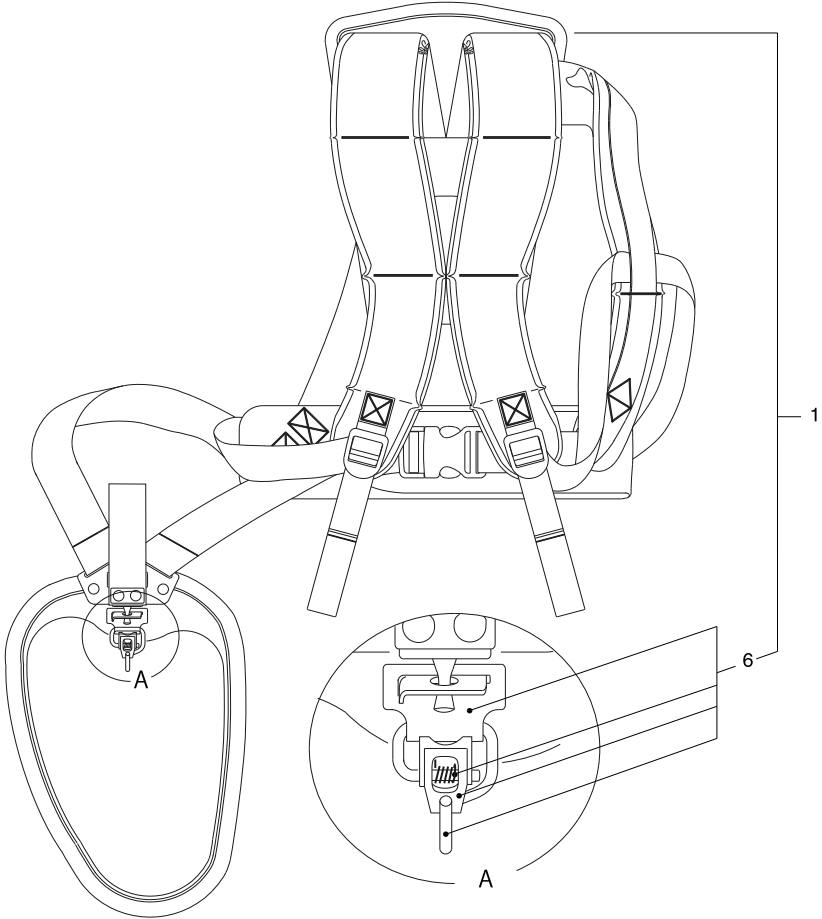
KEY	LV	PART NUMBER	Q'TY	DESCRIPTION	REMARKS	NOTE1	NOTE2
6		P021-042900	1	SHIELD ASY, BLADE			
7	+	C550-000560	1	SHIELD, BLADE			
8	+	C554-000030	1	KNIFE, CORD	17INCH		
9	+	V805-000150	1	BOLT, TORX 5	TB-5*16 10.9		
10		C550-000501	1	SHIELD, BLADE			
11	+	900565-00005	1	NUT	5		
12		V805-000170	1	BOLT, TORX 5	TB-5*25 10.9		
13		C550-000541	1	SHIELD, BLADE			
14		V805-000260	4	BOLT, TORX 5	TB-5*25 半10.9		
15		C552-000200	1	PLATE, SHIELD			
16		900562-00005	1	NUT, LOCK	5		
17		91316-04010	1	SCREW	M4*10		

14. TOOLS

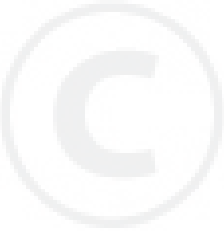


KEY	LV	PART NUMBER	Q'TY	DESCRIPTION	REMARKS	NOTE1	NOTE2
1		X605-000170	1	TOOL,L WRENCH			
3		X602-000020	1	TOOL,WRENCH	17*19 L200		
4		X606-000080	1	TOOL,BAR	5*120		
5		X690-000080	1	GOGGLE	SI CHINA, Z87.1		
6		898510-07130	1	BAG, TOOL			
7		P021-014320	1	SAW,BUSH CUTTER	255*T3.0		
8		X495-000270	1	SCABBARD,BLADE			

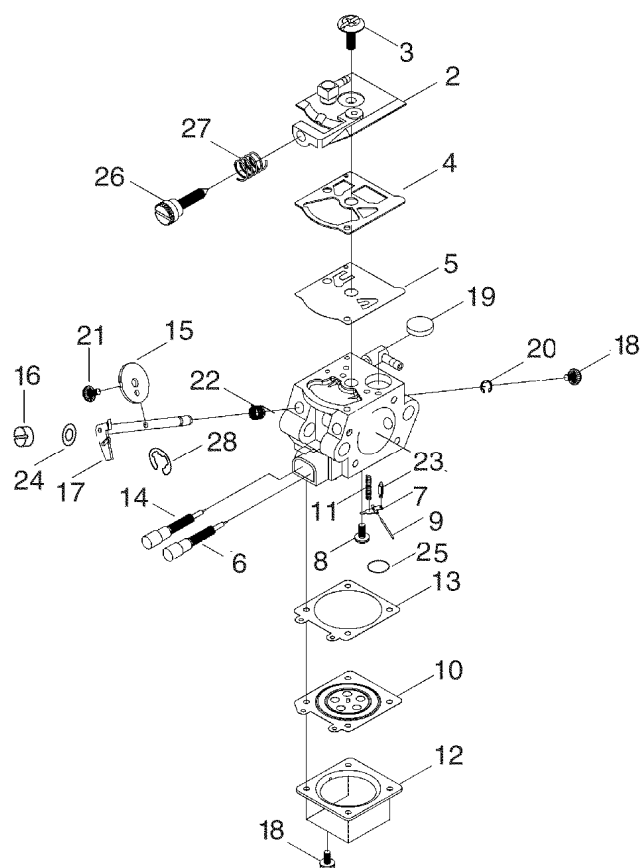
15. HARNESS



KEY	LV	PART NUMBER	Q'TY	DESCRIPTION	REMARKS	NOTE1	NOTE2
1		C062-000520	1	HARNESS, SHOULDER	SHINDAIWA		
6	+	P021-042910	1	HOOK ASSY			

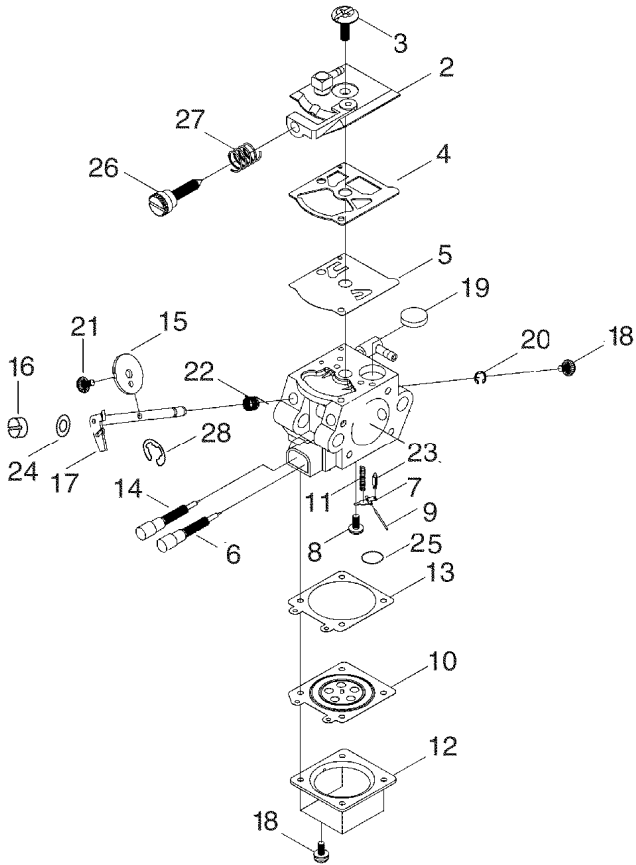


16. CARBURETOR

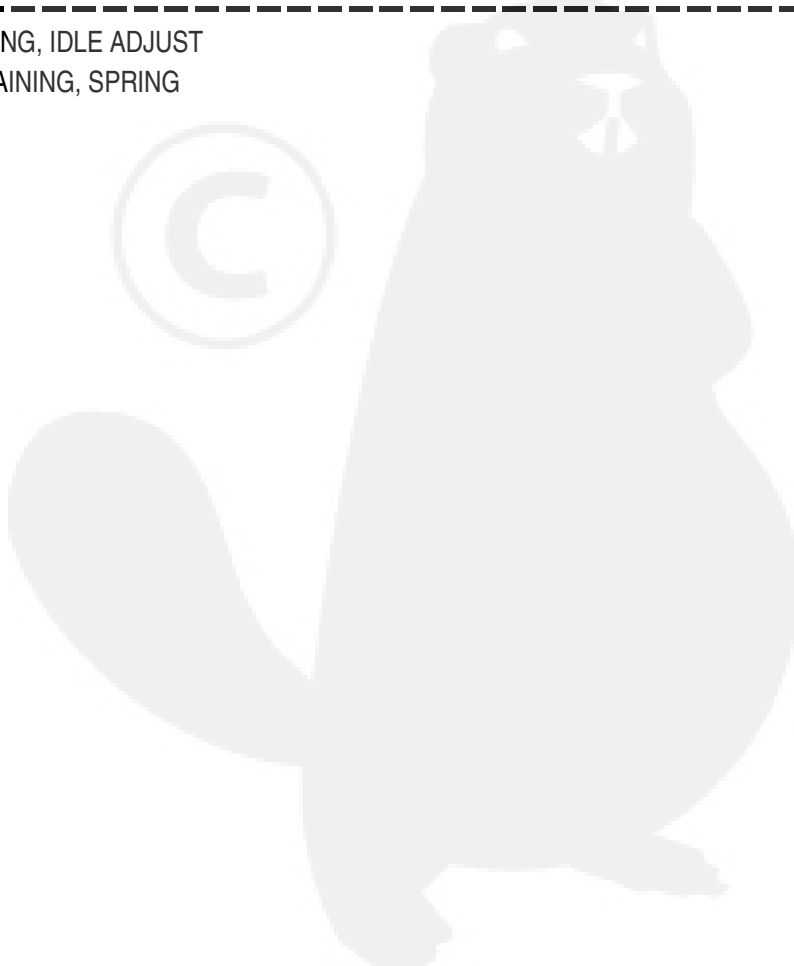


KEY	LV	PART NUMBER	Q'TY	DESCRIPTION	REMARKS	NOTE1	NOTE2
		A021-003840	1	CARBURETOR,DIAPHRAGM	WT-		
2	+	P003-003930	1	COVER, FUEL PUMP			
3	+	123110-03930	1	SCREW, PUMP COVER			
4	+	123125-15030	1	GASKET, FUEL PUMP			
5	+	P003-001930	1	DIAPHRAGM			
6	+	P003-002270	1	NEEDLE			
7	+	123123-03930	1	LEVER, METERING			
8	+	123139-03930	1	SCREW, M. LEVER PIN			
9	+	123138-03930	1	PIN, METERING LEVER			
10	+	P003-001850	1	DIAPHRAGM, METERING			
11	+	123122-03660	1	SPRING, METER. LEVER			
12	+	123142-03930	1	COVER, M. DIAPHRAGM			
13	+	123140-03930	1	GASKET, M. DIAPHRAGM			
14	+	P003-004460	1	NEEDLE			
15	+	123116-05960	1	VALVE, THROTTLE			
16	+	123172-26030	1	SWIVEL			
17	+	P003-005020	1	SHAFT ASM THROTTLE			
18	+	123130-02960	5	SCREW			
19	+	123126-10631	1	SCREEN, INLET			
20	+	123127-03930	1	CLIP, THROTTLE SHAFT			
21	+	P003-002380	1	SCREW			
22	+	123113-47530	1	SPRING, THR. RTN.			
23	+	123137-19830	1	VALVE, INLET NEEDLE			
24	+	123149-54230	1	WASHER			
25	+	123146-10631	1	PLUG, WELCH			
26	+	123134-04260	1	SCREW, IDLE ADJUST			

16. CARBURETOR



KEY	LV	PART NUMBER	Q'TY	DESCRIPTION	REMARKS	NOTE1	NOTE2
27	+	123133-04260	1	SPRING, IDLE ADJUST			
28	+	123127-10630	1	RETAINING, SPRING			



Index

Patrs Number	Key No.	Patrs Number	Key No.	Patrs Number	Key No.
100012-19830	3 - 5	699229-56830	10 - 3	A369-000001	7 - 6
100014-17330	3 - 6	890617-43130	8 - 5	A393-000300	2 - 32
100142-12330	4 - 7	898510-07130	14 - 6	A409-001210	4 - 1
100213-05530	2 - 8	900330-40080	2 - 3	A411-001370	4 - 8
101538-28230	9 - 5	900500-00005	12 - 14	A425-000000	4 - 9
123110-03930	16 - 3	900502-00006	12 - 9	A426-000010	4 - 11
123113-47530	16 - 22	900562-00005	13 - 16	A427-000060	4 - 10
123116-05960	16 - 15	900565-00005	13 - 11	A429-000090	4 - 18
123122-03660	16 - 11	900565-50008	9 - 4	A507-000140	5 - 3
123123-03930	16 - 7	900603-50008	10 - 16	A514-000280	4 - 2
123125-15030	16 - 4	900701-00012	2 - 11	A552-000390	3 - 14
123126-10631	16 - 19	900701-00012	10 - 23	A553-000170	3 - 9
123127-03930	16 - 20	900702-00028	2 - 14	A556-001540	2 - 13
123127-10630	16 - 28	900702-00028	10 - 22	A557-000190	3 - 11
123130-02960	16 - 18	900702-00032	10 - 9	A566-000230	3 - 10
123133-04260	16 - 27	900720-00012	10 - 5	A570-000290	2 - 16
123134-04260	16 - 26	900800-06001	10 - 20	C050-002440	8 - 1
123137-19830	16 - 23	900803-06001	10 - 21	C062-000520	15 - 1
123138-03930	16 - 9	900810-00629	10 - 14	C400-001320	11 - 1
123139-03930	16 - 8	900812-06201	10 - 11	C403-000031	11 - 2
123140-03930	16 - 13	900888-36201	2 - 9	C415-000180	9 - 1
123142-03930	16 - 12	91316-04010	13 - 17	C423-000910	11 - 3
123146-10631	16 - 25	92105-08000	4 - 6	C423-000920	11 - 4
123149-54230	16 - 24	94018-46001	2 - 15	C427-000050	9 - 6
123172-26030	16 - 16	A011-001230	3 - 7	C450-000790	12 - 3
123181-39130	6 - 39	A021-003840	6 - 1	C460-000430	12 - 4
130110-16430	7 - 11	A021-003840	16 -	C463-000090	12 - 5
130111-00530	7 - 18	A051-002710	5 - 1	C480-000150	9 - 10
130113-12330	2 - 4	A101-000160	3 - 2	C487-000410	6 - 41
131016-55830	7 - 3	A130-002070	1 - 1	C550-000501	13 - 10
131300-56431	7 - 14	A160-002620	2 - 24	C550-000541	13 - 13
131328-40630	7 - 15	A160-002721	2 - 26	C550-000560	13 - 7
131920-61830	2 - 31	A172-002240	5 - 15	C552-000200	13 - 15
132115-55930	7 - 5	A175-000330	7 - 16	C554-000030	13 - 8
145862-40630	1 - 11	A200-000990	1 - 6	C610-000070	9 - 12
156110-04920	2 - 44	A202-000250	1 - 5	C648-000040	9 - 8
156114-07320	2 - 39	A209-000720	6 - 42	P003-001850	16 - 10
159116-21231	2 - 43	A209-000730	6 - 40	P003-001930	16 - 5
175049-03920	11 - 6	A209-000740	2 - 37	P003-002270	16 - 6
177228-27030	5 - 8	A226-001730	6 - 35	P003-002380	16 - 21
177247-04630	4 - 4	A226-001740	6 - 36	P003-003930	16 - 2
610011-49931	8 - 2	A227-000040	6 - 37	P003-004460	16 - 14
610300-56930	10 - 13	A232-001660	6 - 33	P003-005020	16 - 17
610310-56932	10 - 12	A244-000290	6 - 31	P021-014320	14 - 7
610313-52932	10 - 6	A300-001700	1 - 12	P021-016210	12 - 1
610314-52130	10 - 4	A313-001910	1 - 9	P021-035680	7 - 2
610320-52130	10 - 2	A320-001000	2 - 33	P021-041130	3 - 8
610434-50031	10 - 17	A350-002020	7 - 1	P021-041140	3 - 15
610444-56830	10 - 10	A365-000060	7 - 4	P021-041340	10 - 1

Index

Patrs Number	Key No.	Patrs Number	Key No.	Patrs Number	Key No.
P021-041380	2 - 1	V494-000080	12 - 10		
P021-041390	3 - 1	V495-002880	9 - 13		
P021-042880	6 - 28	V505-000020	2 - 6		
P021-042890	12 - 11	V541-000540	2 - 34		
P021-042900	13 - 6	V580-000010	3 - 4		
P021-042910	15 - 6	V608-000000	3 - 3		
P022-004680	5 - 5	V804-000010	12 - 12		
P022-023100	5 - 7	V804-000080	1 - 15		
P022-023110	5 - 6	V805-000050	12 - 13		
P022-023120	5 - 4	V805-000100	6 - 32		
P022-023140	5 - 2	V805-000130	2 - 45		
V100-000760	1 - 2	V805-000130	10 - 18		
V102-000250	2 - 7	V805-000140	4 - 5		
V103-000471	6 - 29	V805-000150	2 - 36		
V103-001610	6 - 38	V805-000150	4 - 12		
V103-001620	1 - 4	V805-000150	9 - 9		
V104-002020	1 - 13	V805-000150	9 - 14		
V104-002030	1 - 14	V805-000150	13 - 9		
V104-002040	1 - 10	V805-000160	2 - 46		
V150-003590	9 - 7	V805-000170	2 - 17		
V186-000510	7 - 8	V805-000170	13 - 12		
V253-000100	6 - 34	V805-000210	1 - 3		
V263-000020	9 - 3	V805-000250	1 - 17		
V299-000110	11 - 5	V805-000260	2 - 35		
V353-000630	4 - 13	V805-000260	13 - 14		
V355-000750	9 - 2	V805-000290	2 - 5		
V376-001980	3 - 13	V806-000050	1 - 8		
V420-004100	9 - 11	V806-000100	10 - 19		
V423-000090	2 - 30	V835-000000	2 - 25		
V430-004241	12 - 8	V835-000000	2 - 27		
V452-000350	12 - 7	V835-000000	2 - 42		
V452-000360	12 - 6	V835-000000	7 - 17		
V452-001310	10 - 15	V835-000010	1 - 16		
V452-001470	4 - 3	V835-000030	1 - 7		
V453-000230	3 - 12	V835-000030	5 - 10		
V470-000840	7 - 13	X495-000270	14 - 8		
V471-002310	7 - 12	X504-007320	2 - 28		
V471-003950	7 - 10	X504-007330	5 - 9		
V471-004040	2 - 41	X505-002310	2 - 29		
V471-004050	6 - 43	X602-000020	14 - 3		
V475-007540	4 - 14	X605-000170	14 - 1		
V475-007550	4 - 15	X606-000080	14 - 4		
V475-007610	2 - 40	X690-000080	14 - 5		
V475-007610	7 - 9				
V485-002331	4 - 16				
V485-002570	2 - 38				
V490-000440	6 - 44				
V490-001220	9 - 15				
V490-001240	7 - 7				

YAMABIKO CORPORATION

7-2 SUEHIROCHO 1-CHOME, OHME, TOKYO 198-8760, JAPAN
PHONE: 81-428-32-6118. FAX: 81-428-32-6145.

shindaiwa[®]



12Jb
No. 05-021