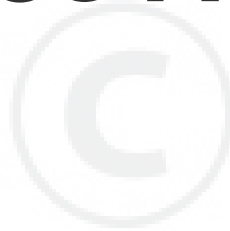


shindaiwa®

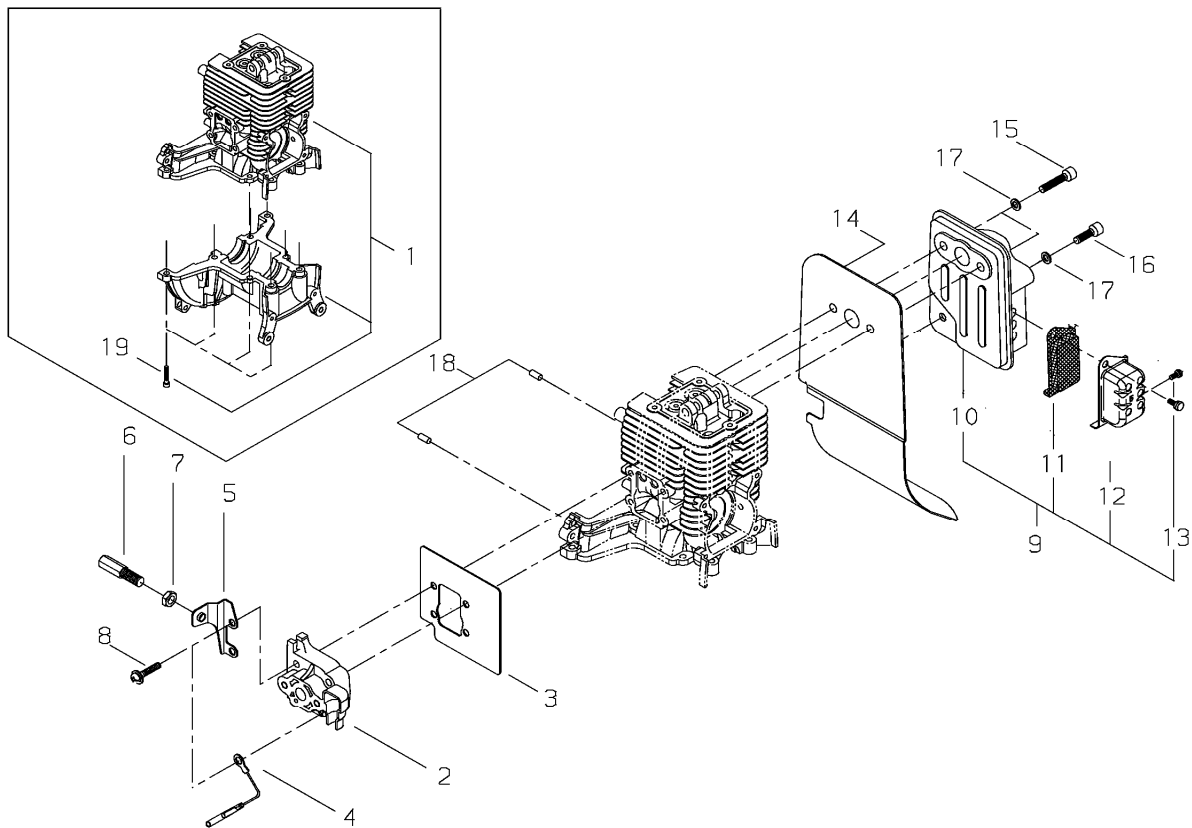
PARTS CATALOG

**BRUSHCUTTER
C3410 EC2(37)**



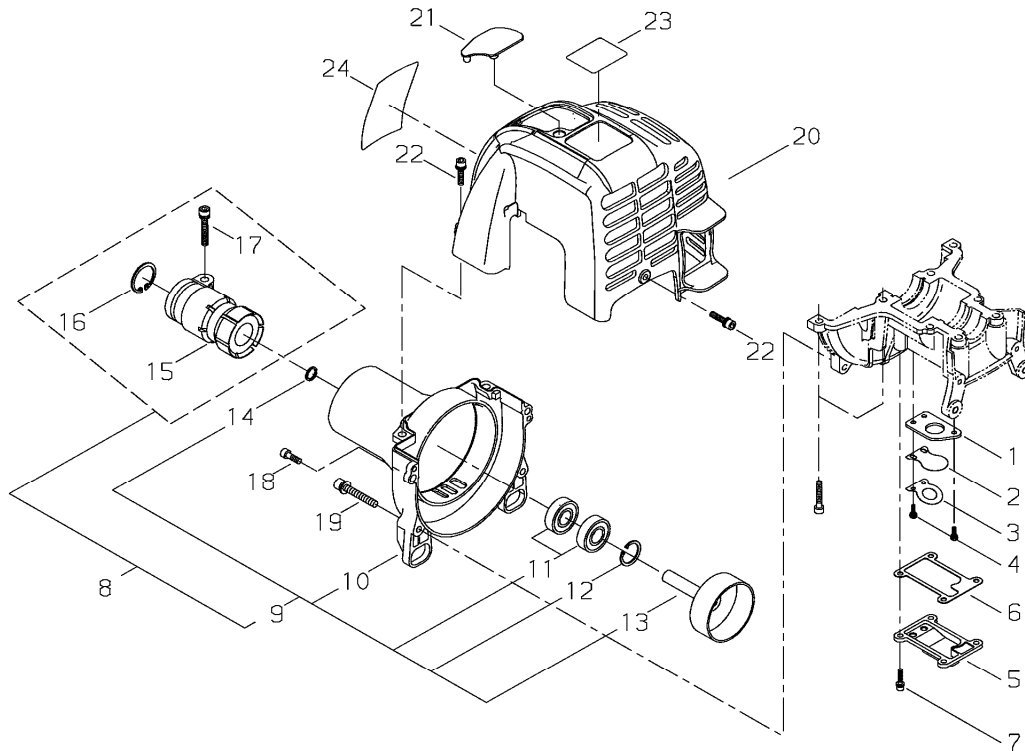
C3410 EC2

1. Ref.1



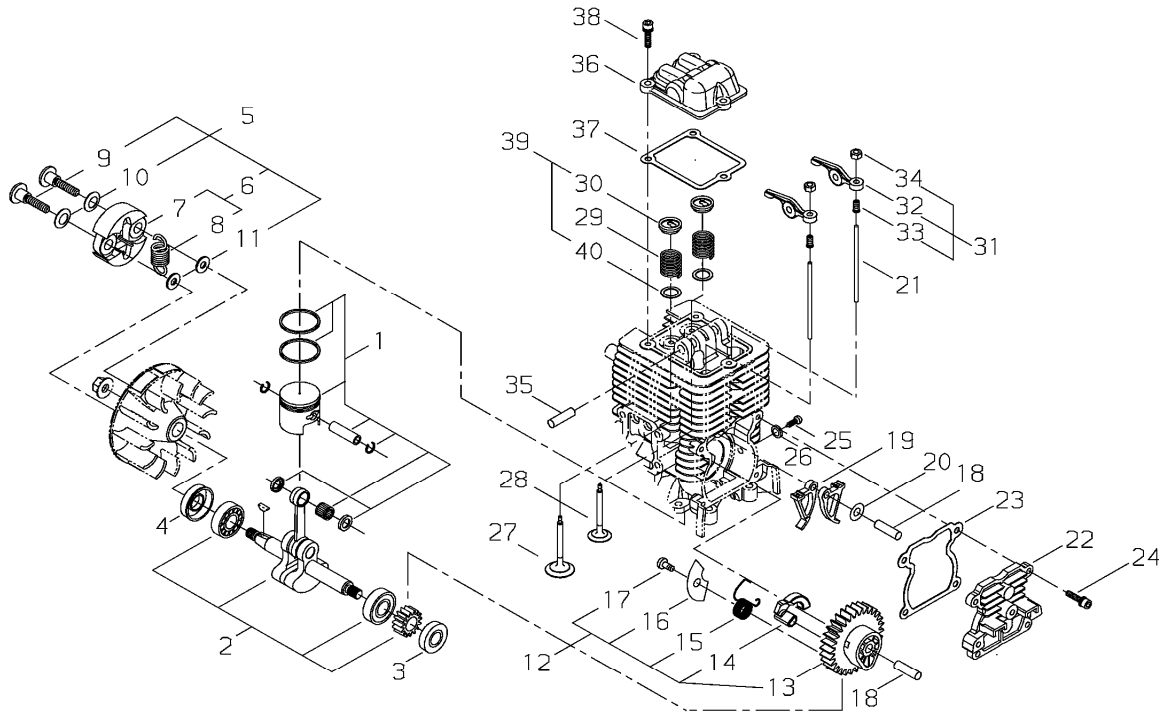
KEY	LV	PART NUMBER	Q'TY	DESCRIPTION	REMARKS	NOTE1	NOTE2
1		60907-98330	1	CYLINDER BLOCK SET			
19	•	01020-05160	8	BOLT	M5*16 BLACK	M5*16	
2		62907-12311	1	LEAD VALVE			
3		62907-12220	1	GASKET			
4		14350-01101	1	LEAD WIRE	L110	L110	
5		62901-83310	1	BRACKET THROTTLE			
6		62902-83310	1	CABLE ADJUSTER			
7		01501-06048	1	NUT		M6 MFZN3	
8		11206-05255	4	SCREW,PM-SPW			
9		62907-15011	1	MUFFLER ASSY			
10	•	62907-15111	1	MUFFLER			
11	•	62902-15131	1	SCREEN			
12	•	62907-15161	1	TAIL PLATE			
13	•	11204-04060	2	SCREW,PM-SW			
14		62901-15210	1	GASKET			
15		62901-15310	2	BOLT			
16		01020-05160	1	BOLT	M5*16 BLACK	M5*16	
17		01610-05080	3	WASHER		5mm T:0.8 MFZN3-C	
18		12492-40080	2	ROLLER			

2. Ref.2



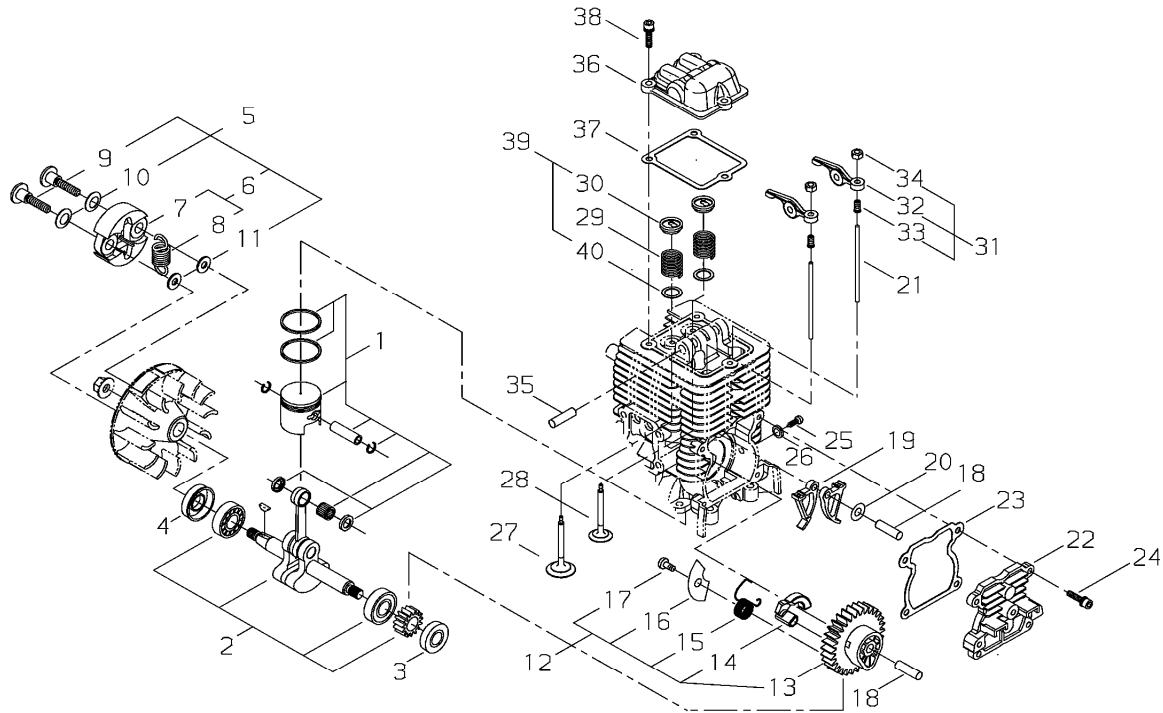
KEY	LV	PART NUMBER	Q'TY	DESCRIPTION	REMARKS	NOTE1	NOTE2
1		62901-21320	1	INSULATOR			
2		72320-83121	1	VALVE			
3		72320-83132	1	STOPPER			
4		01211-03100	3	SCREW-SW	M3*10	M3*10	
5		62901-21120	1	COVER			
6		62901-21130	1	GASKET			
7		11022-04140	4	BOLT-SPW	M4-14	M4*14	
8		60907-98351	1	FAN COVER ASSY			
9		62907-31011	1	FAN COVER COMP			
10		62907-31110	1	FAN COVER			
11		02036-06001	2	BALL BEARING	6001DDUC3S27	6001DDU C3 S27	
12		02432-28120	1	SNAP RING			
13		62907-31211	1	CLUTCH DRUM			
14		20000-31140	1	SNAP RING			
15		62907-33110	1	JOINT			
16		02432-42170	1	SNAP RING	42MM C-RING	φ42用	
17		11020-05220	1	BOLT-SW		M5*22 SW	
18		01020-05160	2	BOLT	M5*16 BLACK	M5*16	
19		11022-05400	2	BOLT SW			
20		62907-32110	1	CYLINDER COVER			
21		62901-32312	1	GROMMET			
22		11022-04140	3	BOLT-SPW	M4-14	M4*14	
23		62914-91320	1	LABEL TRADE			
24		19420-00106	1	LABEL TRADE			shindaiwa、C4

3. Ref.3



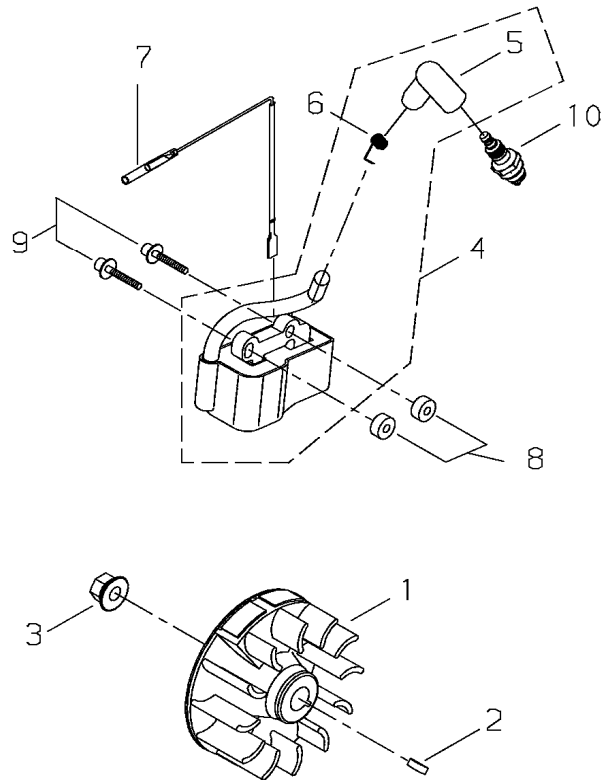
KEY	LV	PART NUMBER	Q'TY	DESCRIPTION	REMARKS	NOTE1	NOTE2
1		62907-41310	1	PISTON SET			
2		62907-42021	1	CRANKSHAFT COMP			
3		62901-42260	1	OIL SEAL		S	
4		62907-42270	1	OIL SEAL		M	
5		72575-98031	1	CLUTCH SHOE ASSY			
6	•	72575-98040	1	CLUTCH SHOE SUB ASSY			
7	• •	72575-98050	2	CLUTCH SHOE			
8	• •	72575-98060	1	SPRING			
9	•	72575-98071	2	BOLT			
10	•	20087-51231	2	SPRING PLATE			
11	•	22100-71430	2	WASHER			
12		62905-43011	1	CAM GEAR ASSY			
13	•	62902-43310	1	CAM GEAR			
14	•	62907-43120	1	WEIGHT			
15	•	17520-08900	1	COIL SPRING			
16	•	62905-43131	1	PLATE			
17	•	01280-04062	1	SCREW,TAPPING			
18		12492-50290	2	ROLLER	5*L29.8	5*L29.8	
19		62907-43210	2	LIFTER			
20		11620-10000	1	WASHER	T0.3	t0.3	
21		62907-43220	2	PUSH ROD			
22		62907-43230	1	CAM GEAR COVER			
23		62907-43240	1	GASKET			
24		11022-04140	4	BOLT-SPW	M4-14	M4*14	
25		62901-43310	1	SCREW			
26		15401-10028	1	COLLAR	5.5,10 T=2	5.5,10 T=2	

3. Ref.3



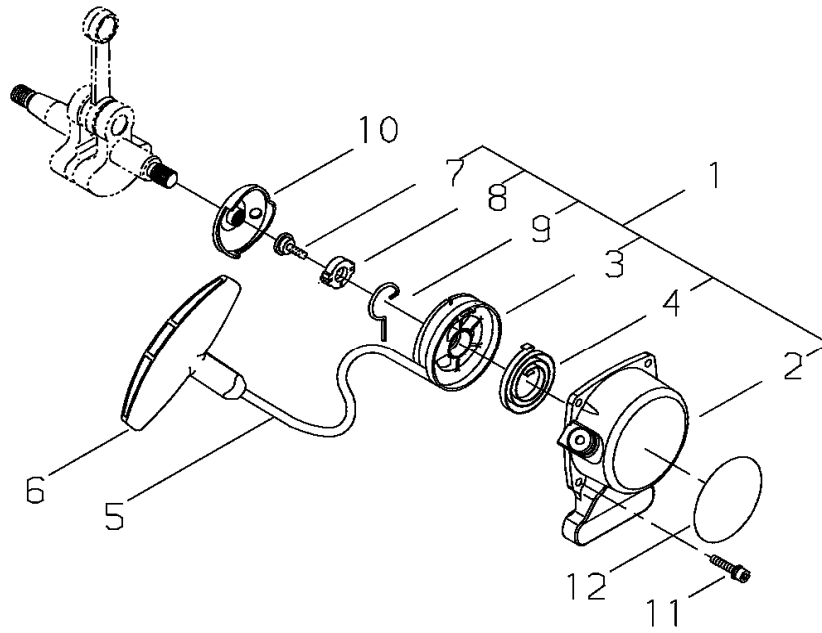
KEY	LV	PART NUMBER	Q'TY	DESCRIPTION	REMARKS	NOTE1	NOTE2
27		62907-44111	1	INTAKE VALVE			
28		62907-44121	1	EXHAUST VALVE			
39		60908-98370	2	RETAINER SET			
30	•	62908-44140	2	RETAINER			
29	•	62901-44130	2	VALVE SPRING			
40	•	62908-44310	2	PLATE			
31		62907-44010	2	ROCKER ARM ASSY			
32	•	62901-44210	2	ROCKER ARM			
33	•	62907-44220	2	ADJUST SCREW			
34	•	62901-44231	2	NUT			
35		12492-50370	1	ROLLER	5*L37.8	5*L37.8	
36		62907-44240	1	ROCKER ARM COVER			
37		62907-44250	1	GASKET			
38		11022-04140	3	BOLT-SPW	M4-14	M4*14	

4. Ref.4



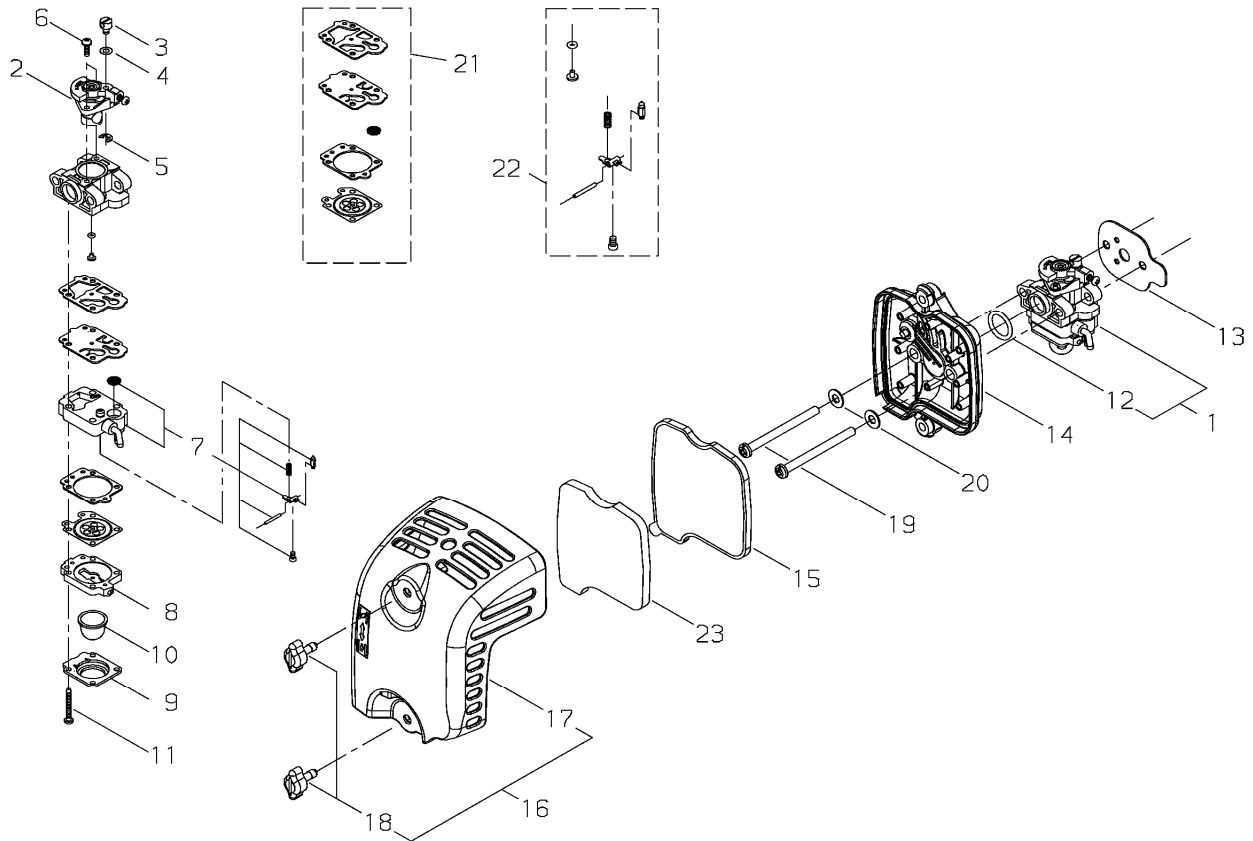
KEY	LV	PART NUMBER	Q'TY	DESCRIPTION	REMARKS	NOTE1	NOTE2
1		62907-71110	1	ROTOR			
2		02403-03100	1	KEY	3*10	3*10	
3		20035-71220	1	NUT			
4		62907-71310	1	COIL ASSY			
5	•	62905-71250	1	PLUG CAP			
6	•	62905-71320	1	COIL SPRING			
7		14350-02200	1	LEAD WIRE	L=220	L=220	
8		70030-71620	2	INSULATOR			
9		11024-04265	2	BOLT-SLPW	M4*26	M4*26	
10		13001-10005	1	PLIG	NGK CMR5H	CMR5H	

5. Ref.5



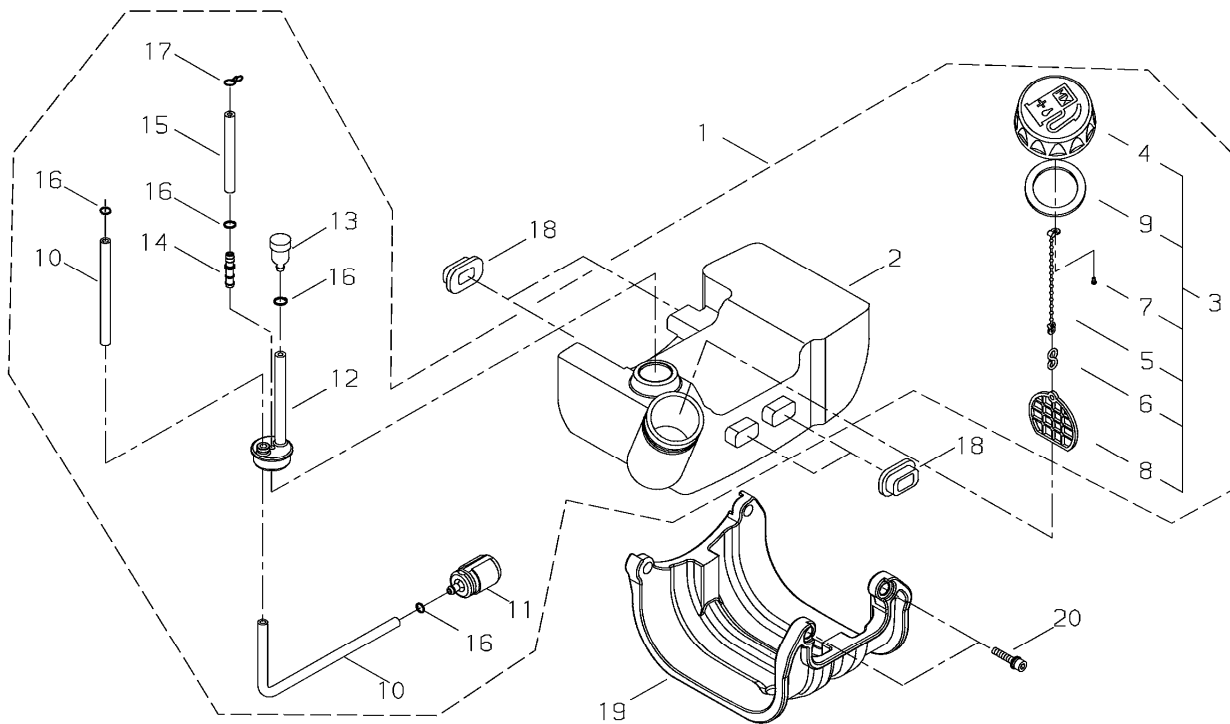
KEY	LV	PART NUMBER	Q'TY	DESCRIPTION	REMARKS	NOTE1	NOTE2
1		62907-75010	1	RECOIL STARTER ASSY			
2	•	62907-75110	1	STARTER CASE			
3	•	62907-75120	1	REEL			
4	•	70030-75130	1	RECOIL SPRING			
5	•	62907-75140	1	ROPE			
6	•	62907-75150	1	KNOB			
7	•	37013-75310	1	SCREW			
8	•	37013-75320	1	COLLAR			
9	•	37013-75330	1	SWING ARM			
10		37013-75210	1	STARTER PULLEY			
11		11022-04140	4	BOLT-SPW	M4-14	M4*14	
12		19420-00070	1	LABEL TRADE		SHINDAIWA	

6. Ref.6



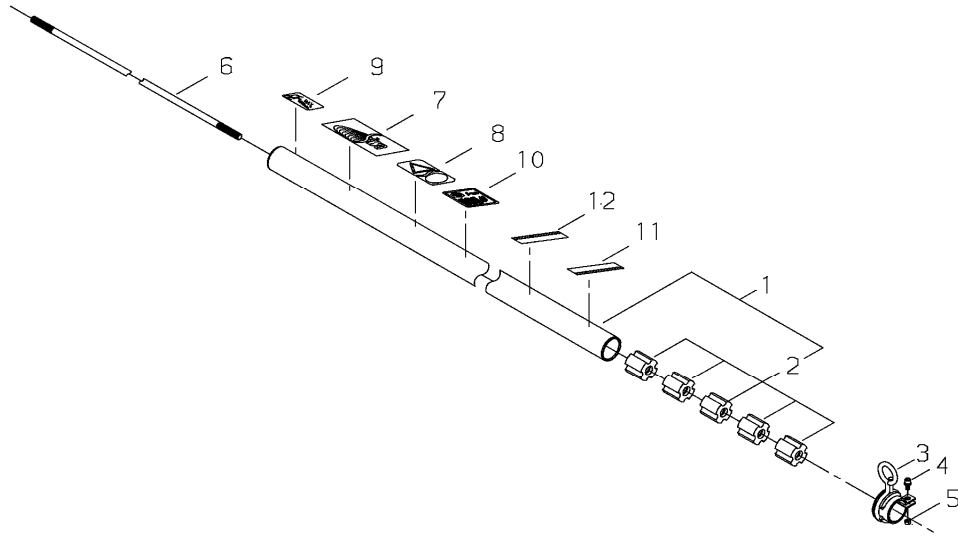
KEY	LV	PART NUMBER	Q'TY	DESCRIPTION	REMARKS	NOTE1	NOTE2
1		62907-81011	1	CABURETOR ASSY			
2	•	62907-81321	1	VALVE			
3	•	72933-81450	1	SWIVEL			
4	•	20089-81185	1	WASHER			
5	•	20036-81195	1	E RING			
6	•	70064-81290	2	SCREW	M3*10		
7	•	37013-81350	1	PUMP BODY ASSY			
8	•	20016-81420	1	PUMP BASE COMP			
9	•	20016-81510	1	PUMP COVER			
10	•	20036-81670	1	PRIMER PUMP			
11	•	20016-81140	4	SCREW			
12	•	20016-81250	1	O RING			
13		62907-81210	1	GASKET			
14		62908-82010	1	CLEANER BODY ASSY			
15		62908-82120	1	FILTER			
16		62908-82030	1	CLEANER COVER ASSY			
17	•	62908-82130	1	CLEANER COVER			
18	•	62901-82330	2	KNOB			
19		11203-05605	2	SCREW,PM			
20		01613-05080	2	WASHER		MFZN3-C	
21	•	60902-98030	1	GASKRT			
22	•	60907-98341	1	VALVE SET			
23		62908-82310	1	PREFILTER			

7. Ref.7



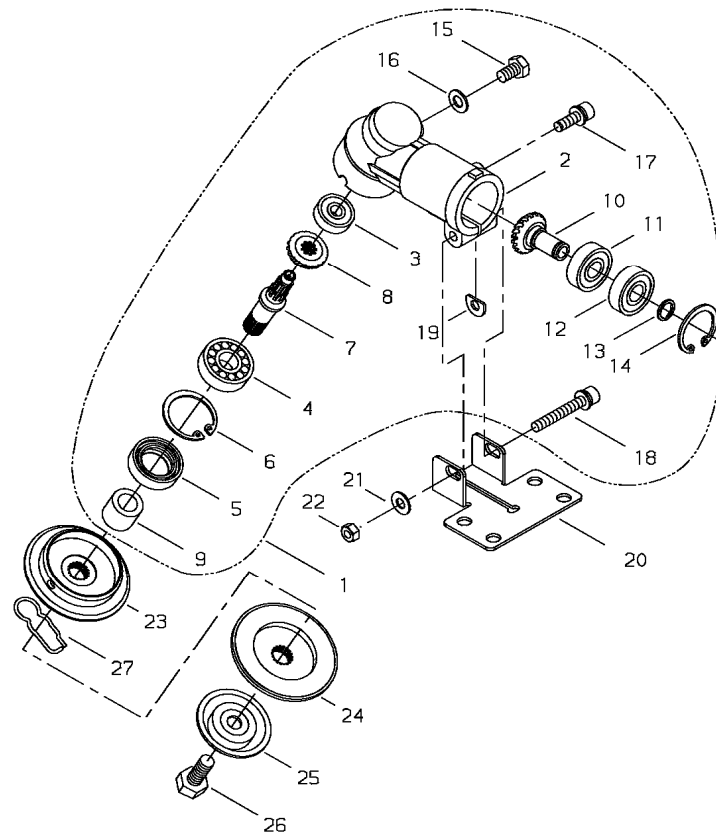
KEY	LV	PART NUMBER	Q'TY	DESCRIPTION	REMARKS	NOTE1	NOTE2
1		62907-85310	1	FUEL TANK ASSY			
2	•	62907-85110	1	FUEL TANK			
3	•	70168-85201	1	FUEL CAP ASSY			
4	• •	70168-85210	1	FUEL CAP			
5	• •	22128-57250	1	CHAIN CAP			
6	• •	22155-21330	1	HOOK			
7	• •	01270-25064	1	SCREW TAPPING		S-C	
8	• •	22150-21350	1	CLIP			
9	• •	20000-85221	1	GASKET			
10	•	70170-85310	1	FUEL PIPE			
11	•	20016-85400	1	FUEL FILTER			
12	•	20112-85351	1	GROMMET			
13	•	22197-33960	1	VALVE			
14	•	72933-85620	1	JOINT			
15	•	32003-85330	1	PIPE			
16	•	20020-85540	3	CLIP			
17	•	37013-85310	1	CLIP			
18		62901-85220	4	TANK CUSHION			
19		62902-85320	1	TANK GUARD			
20		11022-05200	2	BOLT SPW		M5*20(SW,PW)	

8. Ref.8



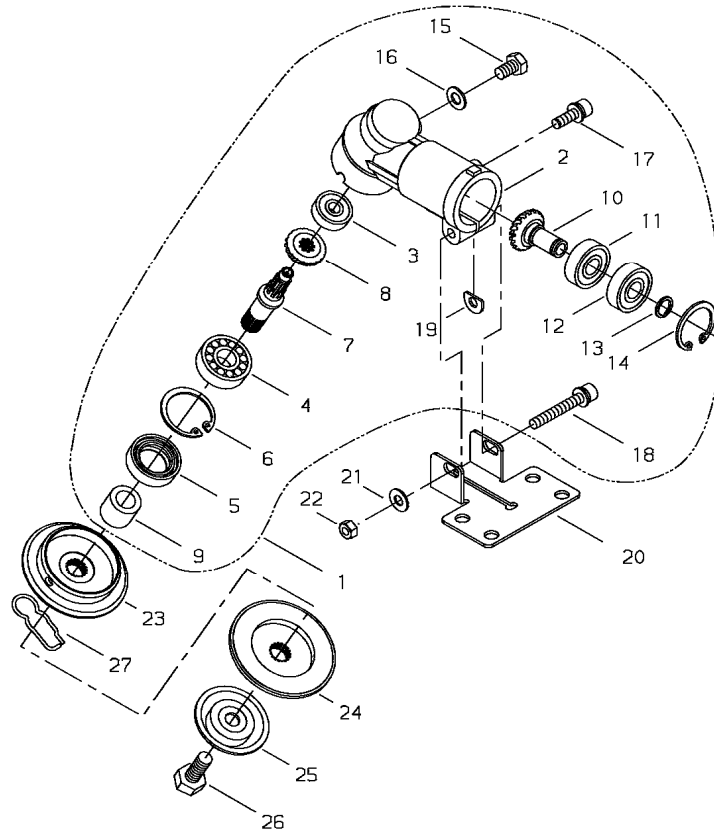
KEY	LV	PART NUMBER	Q'TY	DESCRIPTION	REMARKS	NOTE1	NOTE2
1		63907-62010	1	OUTER PIPE COMP			
2		22000-12120	5	BUSHING			
3		22009-12210	1	HANGER			
4		11022-05120	1	BOLT SPW		M5*12	
5		01500-05041	1	NUT	M5	M5	
6		63907-62210	1	MAIN SHAFT			
7		19420-00084	1	LABEL TRADE		shindaiwa,PROFES SIONAL	
8		19402-00090	1	LABEL CAUTION			
9		19402-00223	1	LABEL CAUTION		MAX 8500MIN-1	
10		19404-00033	1	LABEL DECIBEL		108dB(A)	
11		72005-12140	1	CAUTION PLATE			
12		72017-12150	1	HANDLE LABEL			

9. Ref.9

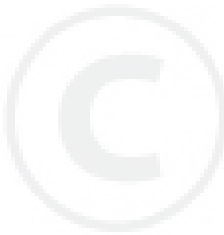


KEY	LV	PART NUMBER	Q'TY	DESCRIPTION	REMARKS	NOTE1	NOTE2
1		63000-63020	1	GEAR CASE COMP			
2	•	22024-13112	1	GEAR CASE			
3	•	02046-00609	1	BEARING			
4	•	02000-06201	1	BEARING			
5	•	22024-13121	1	OIL SEAL			
6	•	02432-32120	1	SNAP RING		32mm	
7	•	72435-13210	1	GEAR SHAFT			
8	•	22024-13220	1	BEVEL GEAR			
9	•	22000-13230	1	COLLAR			
10	•	22024-13391	1	PINION SET			
11	•	02000-06901	1	BEARING			
12	•	02002-06901	1	BEARING		6901ZZ	
13	•	20000-31140	1	SNAP RING			
14	•	02432-24120	1	SNAP RING			
15	•	22015-13410	1	BOLT			
16	•	22015-13420	1	GASKET			
17	•	11022-05160	1	BOLT SPW		M5*16	
18	•	11022-06400	1	BOLT SPW			
19	•	22011-13450	1	SHIM			
20		72441-16130	1	LOWER CLAMP			
21		01613-06100	1	WASHER			
22		01500-06051	1	NUT	M6	M6	
23		22024-13912	1	HOLDER A			
24		63000-63170	1	HOLDER			
25		22024-13291	1	BOLT GUARD			
26		22000-13512	1	BOLT			

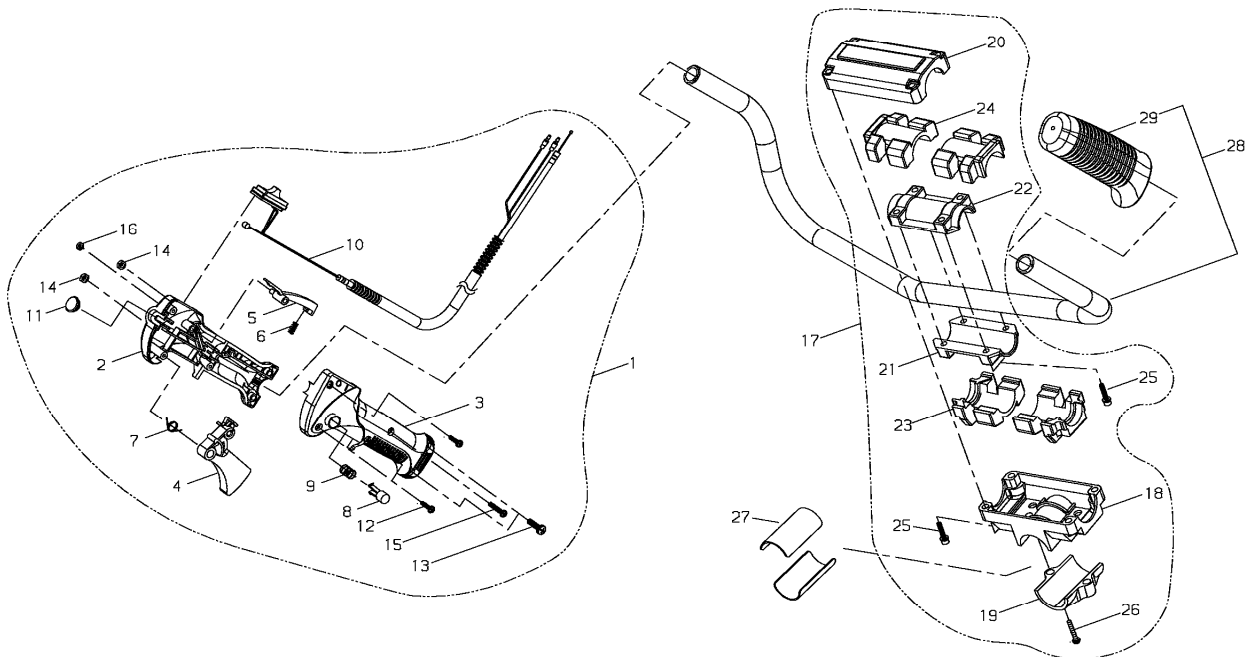
9. Ref.9



KEY	LV	PART NUMBER	Q'TY	DESCRIPTION	REMARKS	NOTE1	NOTE2
27		22000-13530	1	SLIDE PIN			

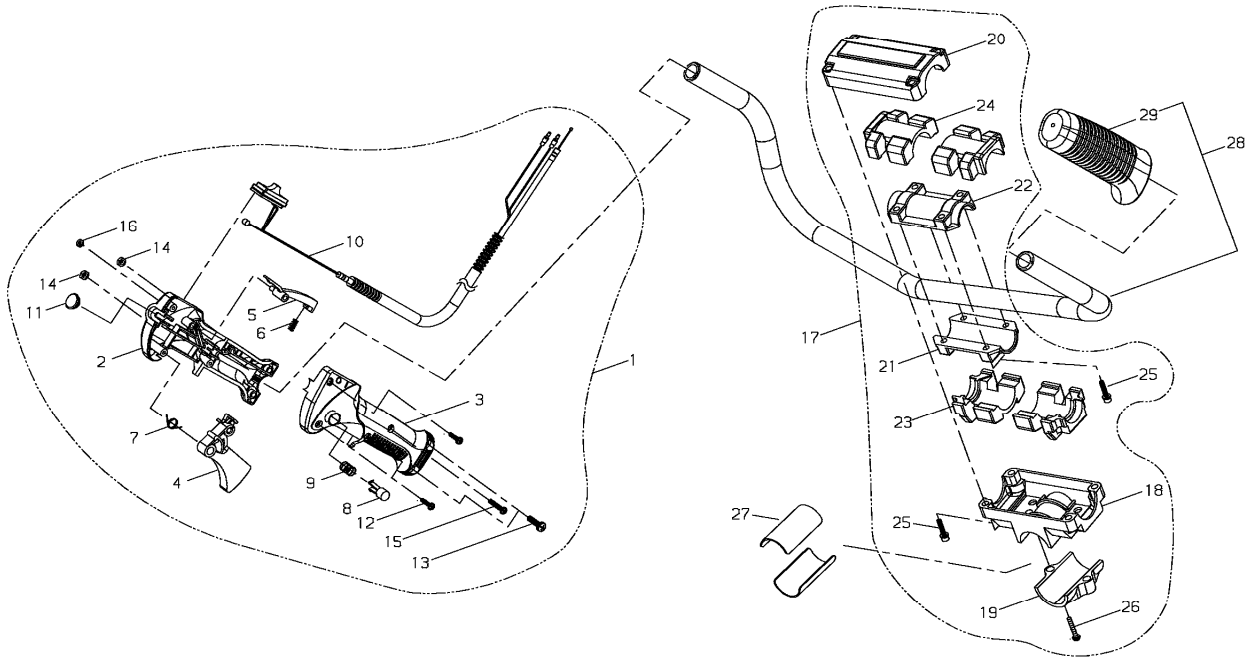


10. Ref.10



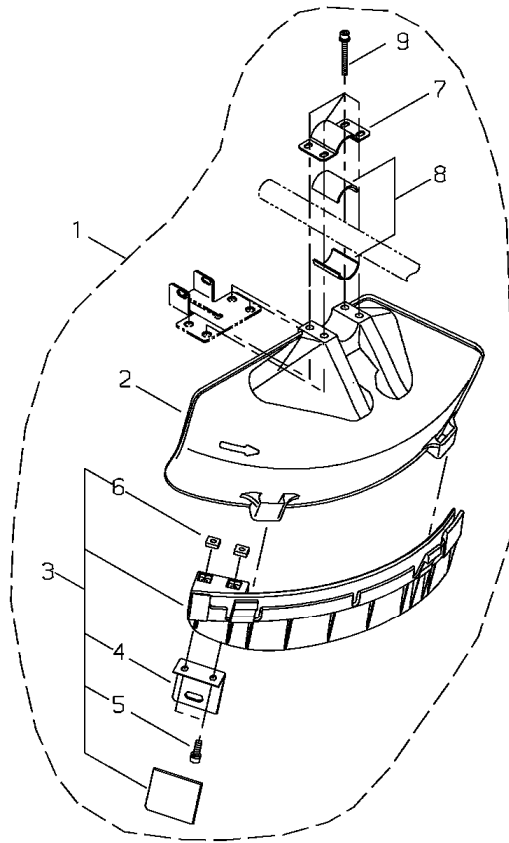
KEY	LV	PART NUMBER	Q'TY	DESCRIPTION	REMARKS	NOTE1	NOTE2
1		64022-64061	1	THROTTLE LEVER ASSY			
2	•	72550-14512	1	BODY RIGHT			
3	•	72550-14522	1	BODY LEFT			
4	•	70871-65130	1	LEVER			
5	•	70871-65140	1	LOCK LEVER			
6	•	70871-65150	1	COIL SPRING			
7	•	70871-65160	1	COIL SPRING			
8	•	70871-65170	1	BUTTON			
9	•	70871-65180	1	COIL SPRING			
10	•	64022-64310	1	THROTTLE CABLE ASSY			
11	•	22150-33630	1	PLUG			
12	•	70871-65311	3	SCREW TAPPING			
13	•	70871-65320	2	SCREW PM			
14	•	01501-05030	2	NUT	M5	M5	
15	•	70871-65330	1	SCREW			
16	•	70871-65340	1	NUT			
17		72555-14100	1	BRACKET COMP			
18	•	72555-14110	1	HANDLE BRACKET			
19	•	72555-14120	1	LOWER CAP			
20	•	72555-14130	1	UPPER CAP			
21	•	22015-14140	1	LOWER CLAMP			
22	•	22015-14150	1	UPPER CLAMP			
23	•	22015-14160	2	LOWER CUSHION			
24	•	22015-14170	2	UPPER CUSHION			
25	•	11022-05250	8	BOLT SPW		M5x25	
26	•	11210-06250	2	SCREW BUTTON		M6x25	

10. Ref.10



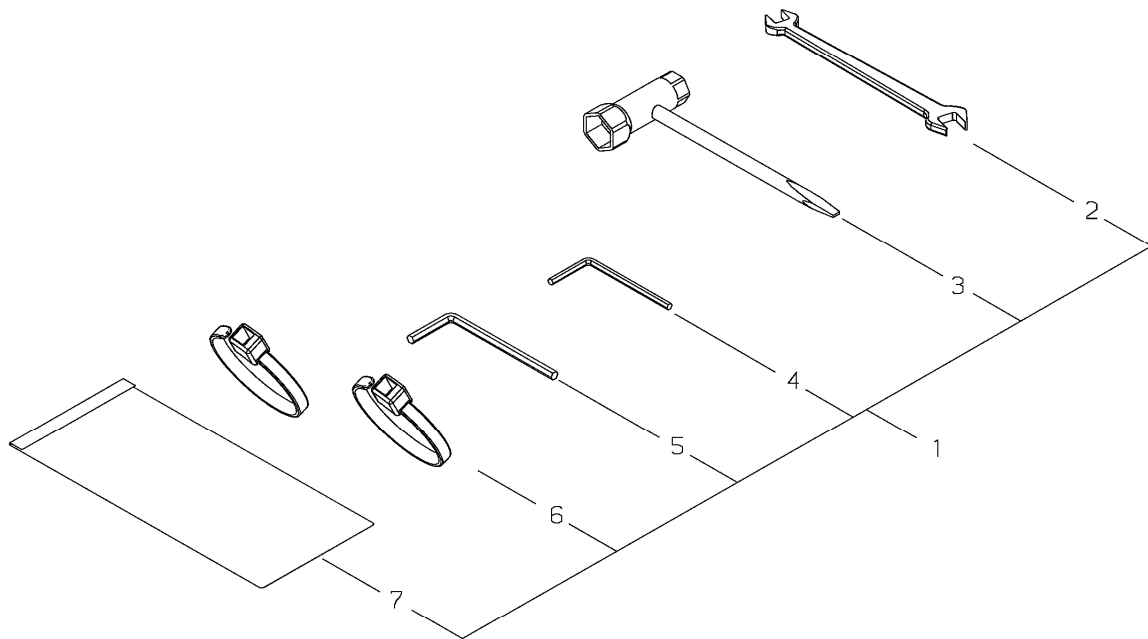
KEY	LV	PART NUMBER	Q'TY	DESCRIPTION	REMARKS	NOTE1	NOTE2
27		72445-14190	2	SPACER			
28		72550-14200	1	HANDLE SUB ASSY			
29		72451-14320	1	GRIP			

11. Ref.11



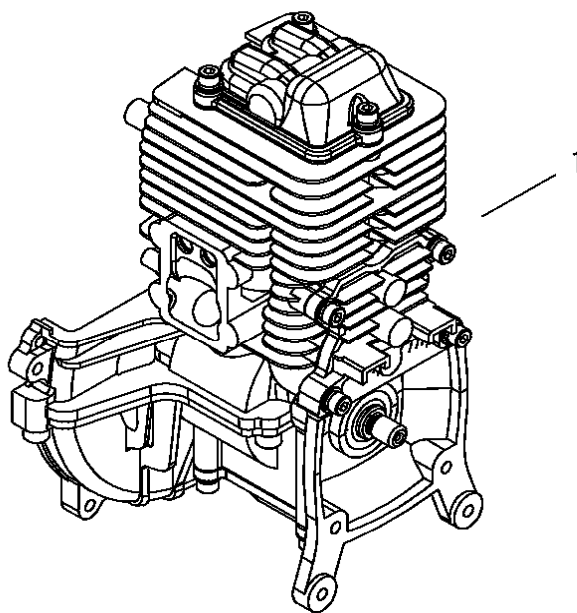
KEY	LV	PART NUMBER	Q'TY	DESCRIPTION	REMARKS	NOTE1	NOTE2
1		64000-66311	1	GUARD SET			
2	•	62903-66111	1	GUARD			
3	•	62903-66332	1	SUB GUARD ASSY			
4	• •	72480-16121	1	CUTTER			
5	• •	11020-05160	2	BOLT SW			
6	• •	22420-16120	2	NUT			
7	•	72480-16210	1	UPPER CLAMP			
8	•	72441-16220	2	SPACER			
9	•	11022-05450	4	BOLT SPW		M5x45 SPW	

12. Ref.12

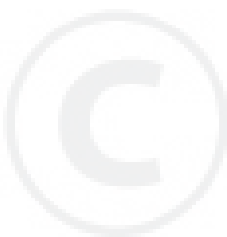


KEY	LV	PART NUMBER	Q'TY	DESCRIPTION	REMARKS	NOTE1	NOTE2
1		62914-92310	1	TOOL SET			
2	•	22000-91120	1	SPANNER			
3	•	22580-91180	1	PLUG WRENCH			
4	•	09026-04001	1	HEXA WRENCH	4MM M5 ㊦	4mm M5	
5	•	09026-05001	1	HEXA WRENCH 6MM		5mm M6	
6	•	72431-12190	2	BAND			
7	•	19639-01400	1	BAG,PACKING	140*200*T0.08	140*200*t0.08	

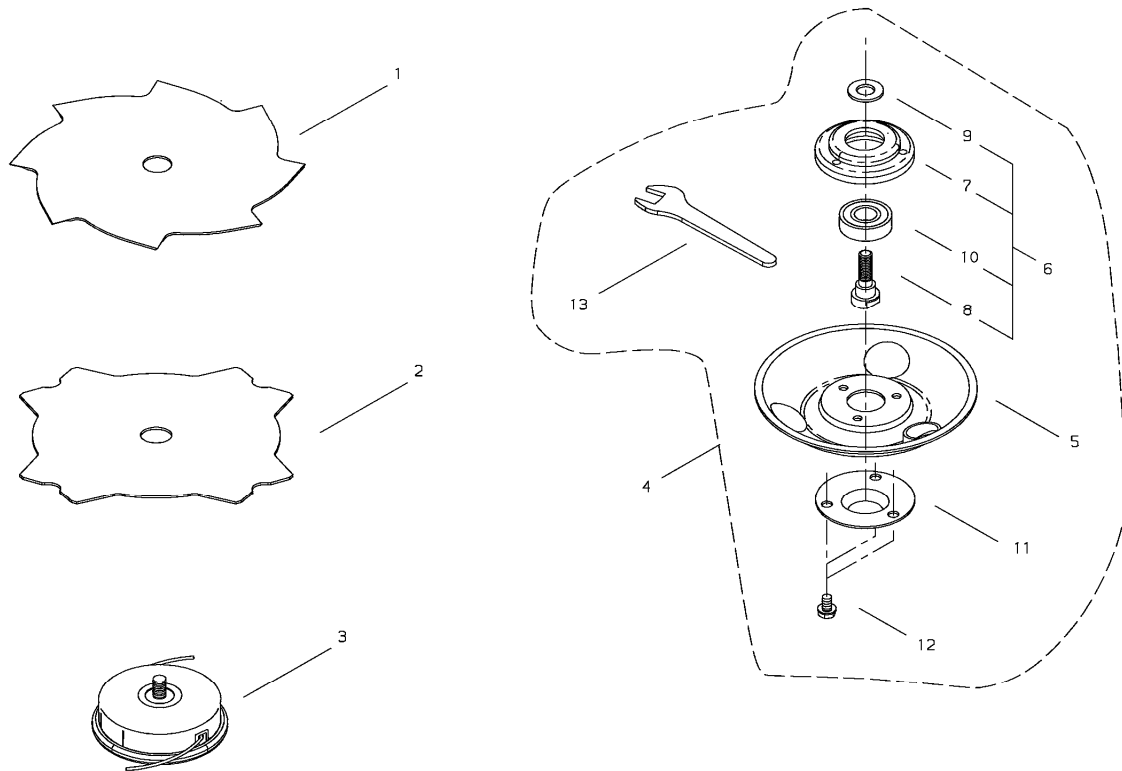
13. Ref.13



KEY	LV	PART NUMBER	Q'TY	DESCRIPTION	REMARKS	NOTE1	NOTE2
1		60907-98400	1	SHORT BLOCK			

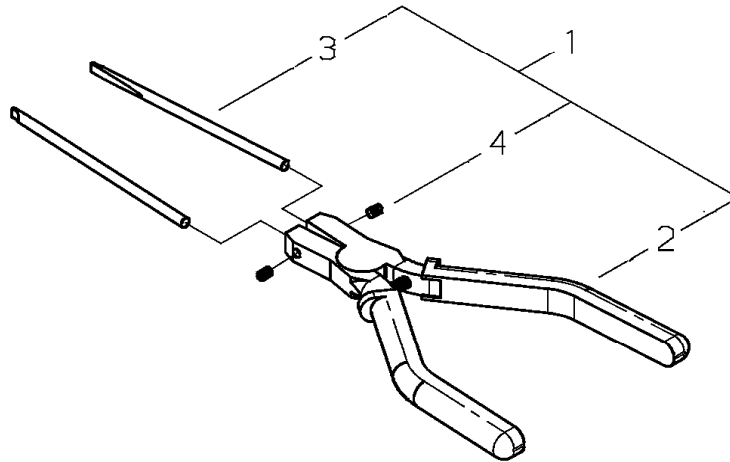


14. Ref.14



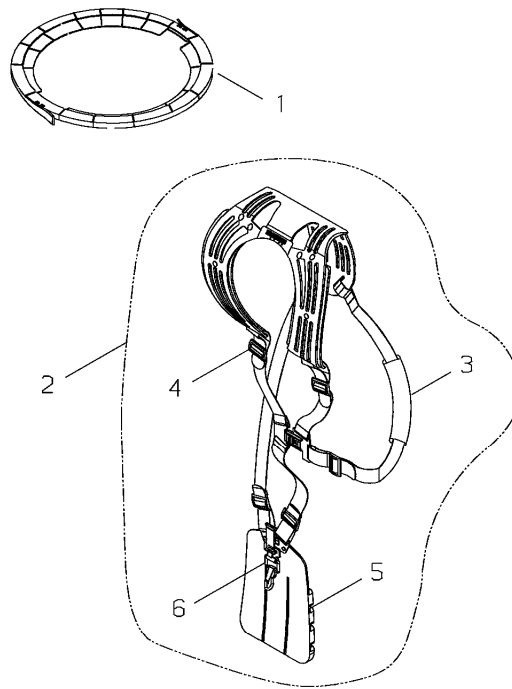
KEY	LV	PART NUMBER	Q'TY	DESCRIPTION	REMARKS	NOTE1	NOTE2
1		60903-98310	1	EDDY SAW			
2		60903-98320	1	CROSS SAW			
3		78820-15000	1	TRIMMER HEAD ASSY		Z5	
4		2209982000	1	STABILIZER-S			
5	•	22013-15310	1	STABILIZER			
6	•	22013-15380	1	HOLDER COMP			
7	• •	22013-15320	1	HOLDER			
8	• •	22013-15330	1	BEARING SHAFT			
9	• •	22013-15340	1	WASHER			
10	• •	02002-06001	1	BEARING		6001ZZ	
11	•	22013-15350	1	SHAFT COVER			
12	•	01015-05100	3	BOLT SW		M5x10	
13	•	09011-13006	1	SPANNER			

15. Ref.15



KEY	LV	PART NUMBER	Q'TY	DESCRIPTION	REMARKS	NOTE1	NOTE2
1		60907-98360	1	PLIERS			
2	•	22440-97030	1	PLIERS			
3	•	60907-98370	2	ROD		L95	
4	•	01236-03040	2	SCREW		M3x4	

16. Ref.16



KEY	LV	PART NUMBER	Q'TY	DESCRIPTION	REMARKS	NOTE1	NOTE2
1		22550-92310	1	BLADE COVER			
2		72451-17203	1	HARNESS ASSY			
3		72451-17330	1	PROTECTOR			
4		72451-17340	5	BUCKLE			
5		72451-17370	1	PAD			
6		72451-17380	1	HOOK			

Index

Patrs Number	Key No.	Patrs Number	Key No.	Patrs Number	Key No.
01015-05100	14 - 12	12492-40080	1 - 18	22024-13112	9 - 2
01020-05160	1 - 19	12492-50290	3 - 18	22024-13121	9 - 5
01020-05160	1 - 16	12492-50370	3 - 35	22024-13220	9 - 8
01020-05160	2 - 18	13001-10005	4 - 10	22024-13291	9 - 25
01211-03100	2 - 4	14350-01101	1 - 4	22024-13391	9 - 10
01236-03040	15 - 4	14350-02200	4 - 7	22024-13912	9 - 23
01270-25064	7 - 7	15401-10028	3 - 26	2209982000	14 - 4
01280-04062	3 - 17	17520-08900	3 - 15	22100-71430	3 - 11
01500-05041	8 - 5	19402-00090	8 - 8	22128-57250	7 - 5
01500-06051	9 - 22	19402-00223	8 - 9	22150-21350	7 - 8
01501-05030	10 - 14	19404-00033	8 - 10	22150-33630	10 - 11
01501-06048	1 - 7	19420-00070	5 - 12	22155-21330	7 - 6
01610-05080	1 - 17	19420-00084	8 - 7	22197-33960	7 - 13
01613-05080	6 - 20	19420-00106	2 - 24	22420-16120	11 - 6
01613-06100	9 - 21	19639-01400	12 - 7	22440-97030	15 - 2
02000-06201	9 - 4	20000-31140	2 - 14	22550-92310	16 - 1
02000-06901	9 - 11	20000-31140	9 - 13	22580-91180	12 - 3
02002-06001	14 - 10	20000-85221	7 - 9	32003-85330	7 - 15
02002-06901	9 - 12	20016-81140	6 - 11	37013-75210	5 - 10
02036-06001	2 - 11	20016-81250	6 - 12	37013-75310	5 - 7
02046-00609	9 - 3	20016-81420	6 - 8	37013-75320	5 - 8
02403-03100	4 - 2	20016-81510	6 - 9	37013-75330	5 - 9
02432-24120	9 - 14	20016-85400	7 - 11	37013-81350	6 - 7
02432-28120	2 - 12	20020-85540	7 - 16	37013-85310	7 - 17
02432-32120	9 - 6	20035-71220	4 - 3	60902-98030	6 - 21
02432-42170	2 - 16	20036-81195	6 - 5	60903-98310	14 - 1
09011-13006	14 - 13	20036-81670	6 - 10	60903-98320	14 - 2
09026-04001	12 - 4	20087-51231	3 - 10	60907-98330	1 - 1
09026-05001	12 - 5	20089-81185	6 - 4	60907-98341	6 - 22
11020-05160	11 - 5	20112-85351	7 - 12	60907-98351	2 - 8
11020-05220	2 - 17	22000-12120	8 - 2	60907-98360	15 - 1
11022-04140	2 - 7	22000-13230	9 - 9	60907-98370	15 - 3
11022-04140	2 - 22	22000-13512	9 - 26	60907-98400	13 - 1
11022-04140	3 - 24	22000-13530	9 - 27	60908-98370	3 - 39
11022-04140	3 - 38	22000-91120	12 - 2	62901-15210	1 - 14
11022-04140	5 - 11	22009-12210	8 - 3	62901-15310	1 - 15
11022-05120	8 - 4	22011-13450	9 - 19	62901-21120	2 - 5
11022-05160	9 - 17	22013-15310	14 - 5	62901-21130	2 - 6
11022-05200	7 - 20	22013-15320	14 - 7	62901-21320	2 - 1
11022-05250	10 - 25	22013-15330	14 - 8	62901-32312	2 - 21
11022-05400	2 - 19	22013-15340	14 - 9	62901-42260	3 - 3
11022-05450	11 - 9	22013-15350	14 - 11	62901-43310	3 - 25
11022-06400	9 - 18	22013-15380	14 - 6	62901-44130	3 - 29
11024-04265	4 - 9	22015-13410	9 - 15	62901-44210	3 - 32
11203-05605	6 - 19	22015-13420	9 - 16	62901-44231	3 - 34
11204-04060	1 - 13	22015-14140	10 - 21	62901-82330	6 - 18
11206-05255	1 - 8	22015-14150	10 - 22	62901-83310	1 - 5
11210-06250	10 - 26	22015-14160	10 - 23	62901-85220	7 - 18
11620-10000	3 - 20	22015-14170	10 - 24	62902-15131	1 - 11

Index

Patrs Number	Key No.	Patrs Number	Key No.	Patrs Number	Key No.
62902-43310	3 - 13	62908-82120	6 - 15	72555-14110	10 - 18
62902-83310	1 - 6	62908-82130	6 - 17	72555-14120	10 - 19
62902-85320	7 - 19	62908-82310	6 - 23	72555-14130	10 - 20
62903-66111	11 - 2	62914-91320	2 - 23	72575-98031	3 - 5
62903-66332	11 - 3	62914-92310	12 - 1	72575-98040	3 - 6
62905-43011	3 - 12	63000-63020	9 - 1	72575-98050	3 - 7
62905-43131	3 - 16	63000-63170	9 - 24	72575-98060	3 - 8
62905-71250	4 - 5	63907-62010	8 - 1	72575-98071	3 - 9
62905-71320	4 - 6	63907-62210	8 - 6	72933-81450	6 - 3
62907-12220	1 - 3	64000-66311	11 - 1	72933-85620	7 - 14
62907-12311	1 - 2	64022-64061	10 - 1	78820-15000	14 - 3
62907-15011	1 - 9	64022-64310	10 - 10		
62907-15111	1 - 10	70030-71620	4 - 8		
62907-15161	1 - 12	70030-75130	5 - 4		
62907-31011	2 - 9	70064-81290	6 - 6		
62907-31110	2 - 10	70168-85201	7 - 3		
62907-31211	2 - 13	70168-85210	7 - 4		
62907-32110	2 - 20	70170-85310	7 - 10		
62907-33110	2 - 15	70871-65130	10 - 4		
62907-41310	3 - 1	70871-65140	10 - 5		
62907-42021	3 - 2	70871-65150	10 - 6		
62907-42270	3 - 4	70871-65160	10 - 7		
62907-43120	3 - 14	70871-65170	10 - 8		
62907-43210	3 - 19	70871-65180	10 - 9		
62907-43220	3 - 21	70871-65311	10 - 12		
62907-43230	3 - 22	70871-65320	10 - 13		
62907-43240	3 - 23	70871-65330	10 - 15		
62907-44010	3 - 31	70871-65340	10 - 16		
62907-44111	3 - 27	72005-12140	8 - 11		
62907-44121	3 - 28	72017-12150	8 - 12		
62907-44220	3 - 33	72320-83121	2 - 2		
62907-44240	3 - 36	72320-83132	2 - 3		
62907-44250	3 - 37	72431-12190	12 - 6		
62907-71110	4 - 1	72435-13210	9 - 7		
62907-71310	4 - 4	72441-16130	9 - 20		
62907-75010	5 - 1	72441-16220	11 - 8		
62907-75110	5 - 2	72445-14190	10 - 27		
62907-75120	5 - 3	72451-14320	10 - 29		
62907-75140	5 - 5	72451-17203	16 - 2		
62907-75150	5 - 6	72451-17330	16 - 3		
62907-81011	6 - 1	72451-17340	16 - 4		
62907-81210	6 - 13	72451-17370	16 - 5		
62907-81321	6 - 2	72451-17380	16 - 6		
62907-85110	7 - 2	72480-16121	11 - 4		
62907-85310	7 - 1	72480-16210	11 - 7		
62908-44140	3 - 30	72550-14200	10 - 28		
62908-44310	3 - 40	72550-14512	10 - 2		
62908-82010	6 - 14	72550-14522	10 - 3		
62908-82030	6 - 16	72555-14100	10 - 17		

YAMABIKO CORPORATION

7-2 SUEHIROCHO 1-CHOME, OHME, TOKYO 198-8760, JAPAN
PHONE: 81-428-32-6118. FAX: 81-428-32-6145.

shindaiwa[®]



EC2
No.