

shindaiwa®

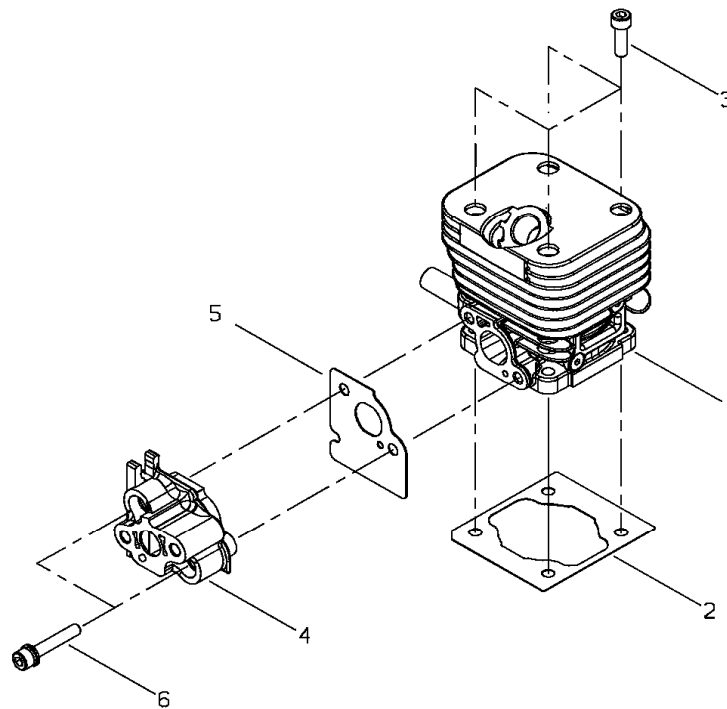
PARTS CATALOG

BRUSHCUTTER C282S EC2



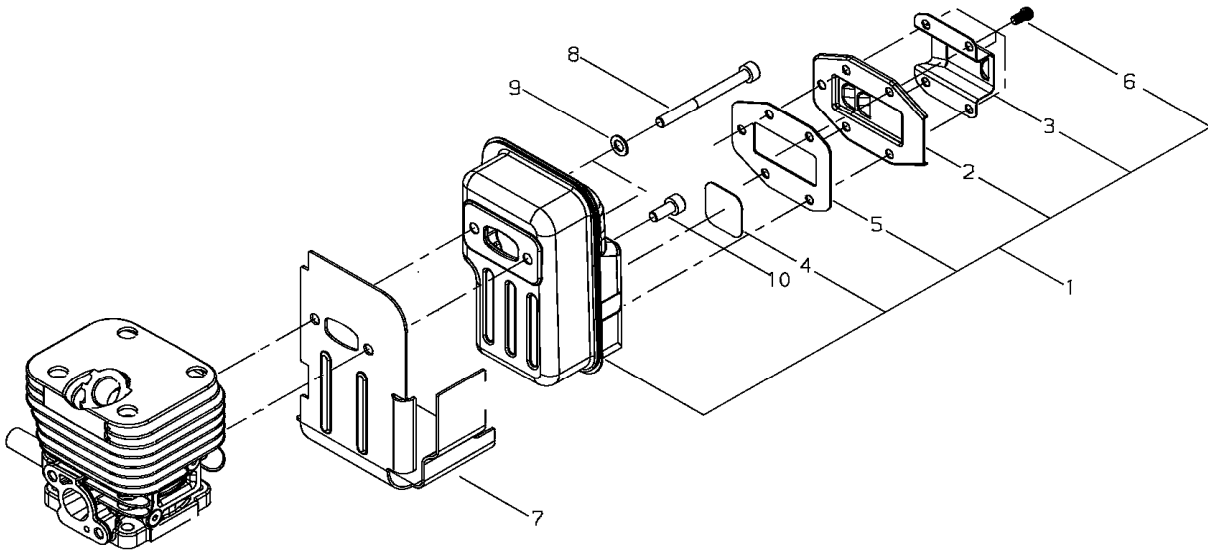
C282S EC2

1. Ref.1



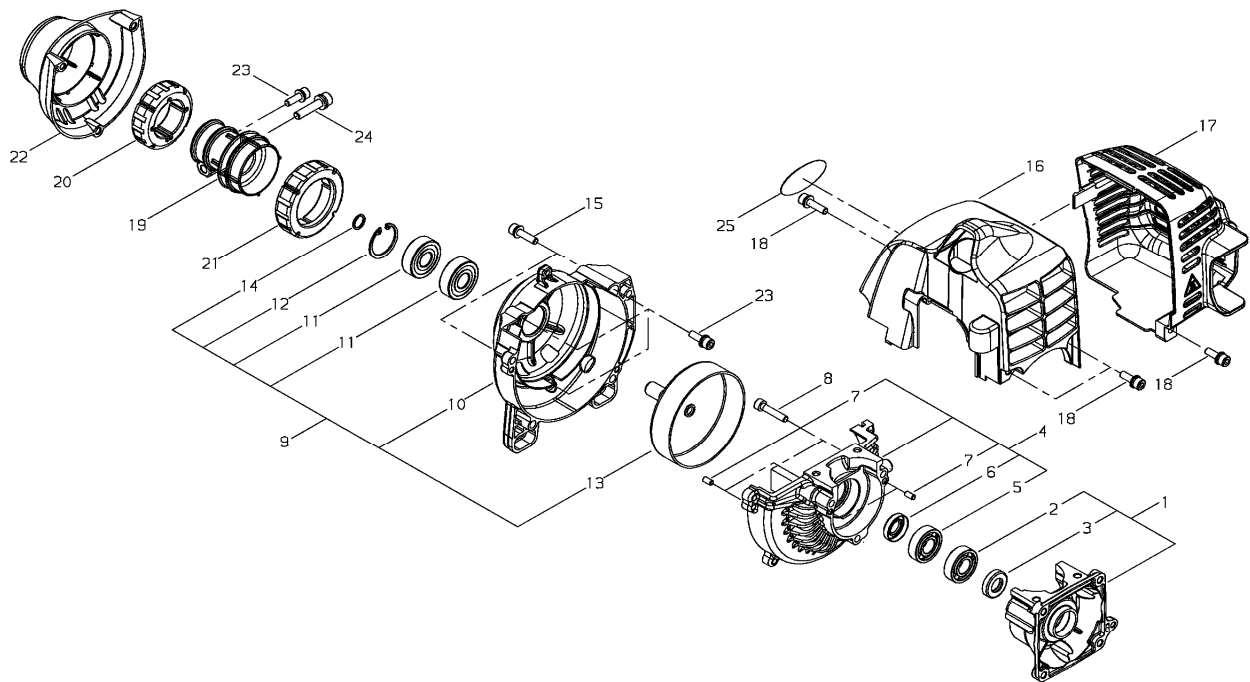
KEY	LV	PART NUMBER	Q'TY	DESCRIPTION	REMARKS	NOTE1	NOTE2
1		62128-12010	1	CYLINDER COMP			
2		62128-12120	1	GASKET			
3		01020-05160	4	BOLT	M5*16 BLACK	M5x16	
4		62128-12211	1	INSULATOR			
5		62100-12220	1	GASKET			
6		11022-05300	2	BOLT SW		M5x30	

2. Ref.2



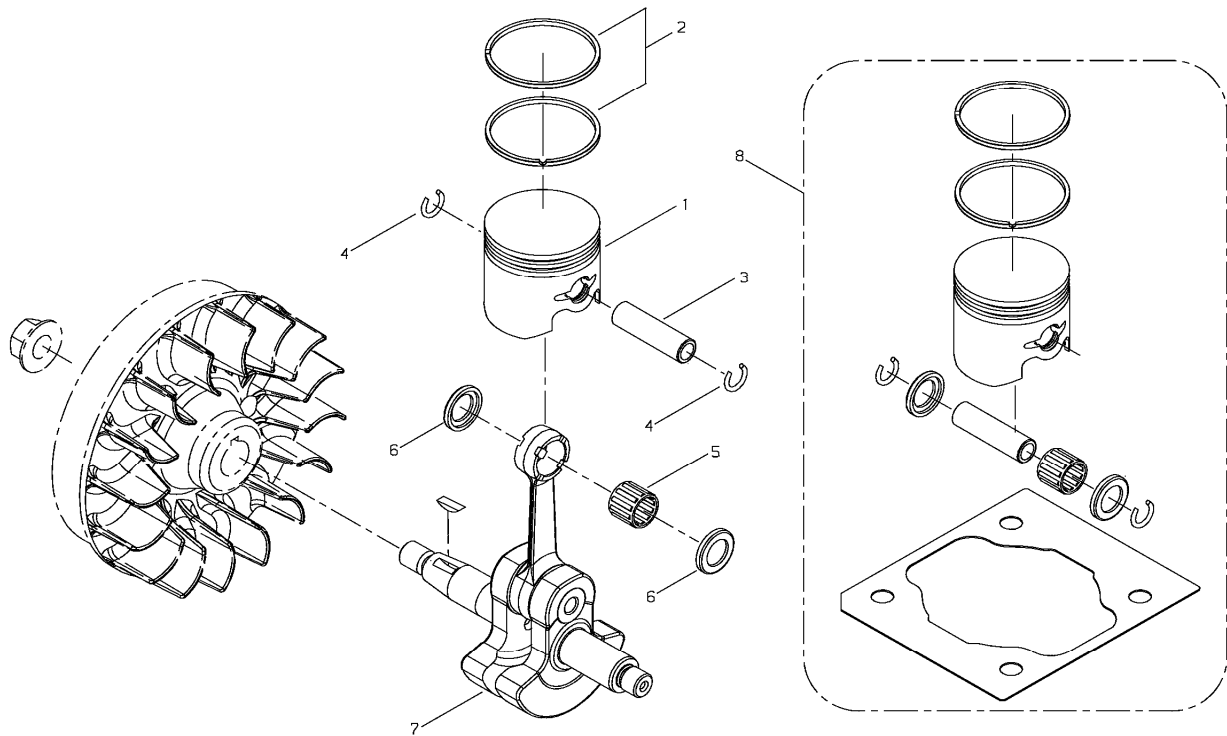
KEY	LV	PART NUMBER	Q'TY	DESCRIPTION	REMARKS	NOTE1	NOTE2
1		62128-15010	1	MUFFLER ASSY			
2	•	62128-15400	1	TAIL PLATE			
3	•	62100-15392	1	TAIL PLATE			
4	•	62100-15370	1	SCREEN			
5	•	62128-15410	1	GASKET			
6	•	01211-04080	5	SCREW SW		M4x8	
7		62128-15211	1	GASKET			
8		01020-05555	2	BOLT		M5x55	
9		01610-05085	2	WASHER		5mm	
10		01020-05120	1	BOLT	M5*12	M5x12	

3. Ref.3



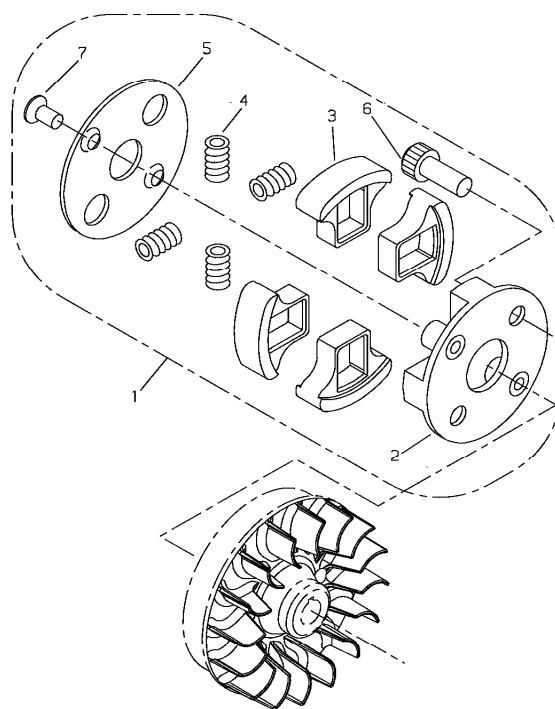
KEY	LV	PART NUMBER	Q'TY	DESCRIPTION	REMARKS	NOTE1	NOTE2
1		62128-21010	1	CRANKCASE,S COMP			
2	•	12900-62010	1	BEARING			
3	•	12310-12002	1	OIL SEAL			
4		62128-21020	1	CRANKCASE,M COMP			
5	•	12900-62010	1	BEARING			
6	•	12310-12002	1	OIL SEAL			
7	•	12492-40080	4	ROLLER			
8		01020-05250	3	BOLT		M5x25	
9		6212831010	1	FAN COVER-C			
10	•	6212831110	1	FAN COVER			
11	•	02036-06001	2	BALL BEARING	6001DDUC3S27		
12	•	02432-28120	1	SNAP RING			
13	•	62128-31211	1	CLUTCH DRUM			
14	•	20000-31140	1	SNAP RING			
15		11022-05200	2	BOLT SPW		M5x20	
16		62128-32110	1	CYLINDER COVER			
17		62128-32310	1	MUFFLER COVER			
18		11060-05203	4	BOLT ADHESIVE		M5x20	
19		20024-31411	1	JOINT			
20		20024-31421	1	FRONT CUSHION			
21		20024-31431	1	REAR CUSHION			
22		62128-33140	1	CAP			
23		11022-05160	4	BOLT SPW		M5x16	
24		11022-06280	1	BOLT SPW		M6x28	
25		6212991330	1	LABEL TRADE		shindaiwa 282S	

4. Ref.4



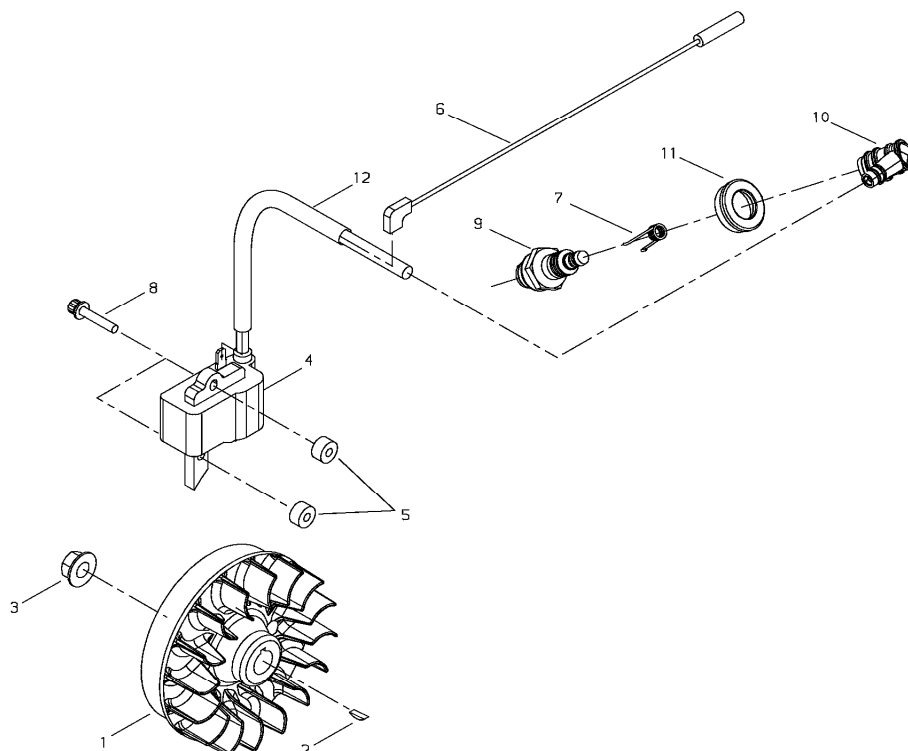
KEY	LV	PART NUMBER	Q'TY	DESCRIPTION	REMARKS	NOTE1	NOTE2
8		60141-98310	1	GEAR-S			
1	▪	62128-41110	1	PISTON			
2	▪	62128-41120	2	PISTON RING			
3	▪	20024-41311	1	PISTON PIN			
4	▪	20000-41320	2	SNAP RING			
5	▪	62901-41230	1	NEEDLE BEARING			
6	▪	37019-41240	2	THRUST WASHER			
7		62128-42010	1	CRANKSHAFT			

5. Ref.5



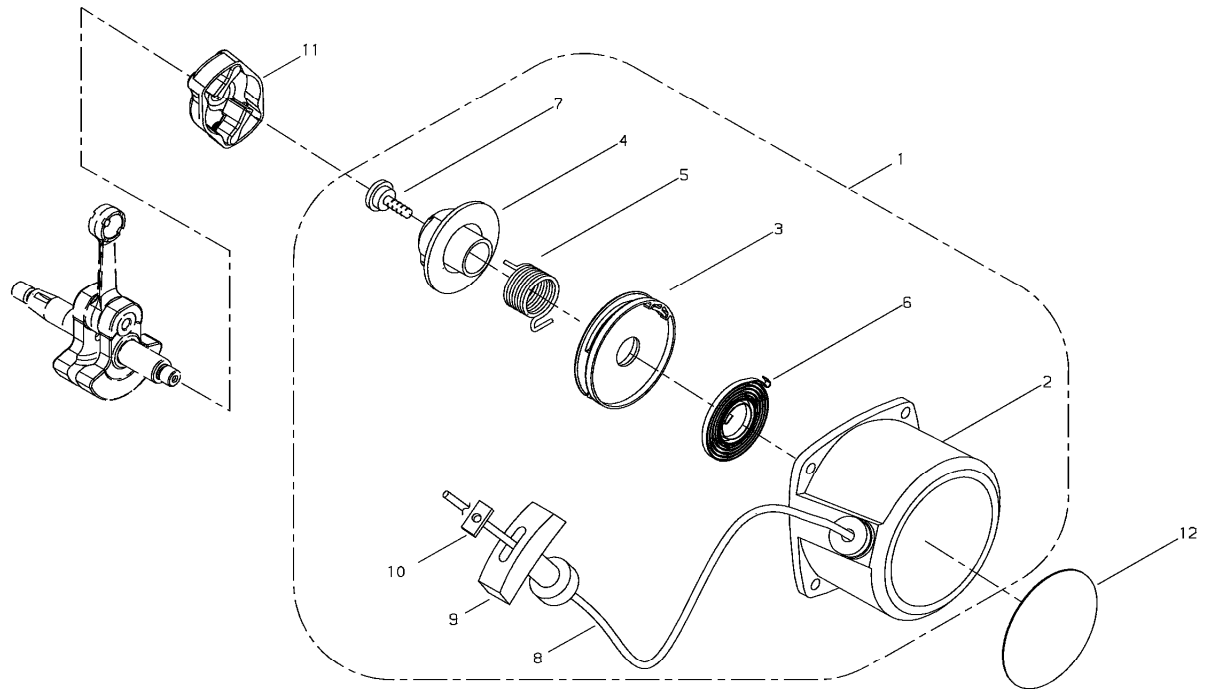
KEY	LV	PART NUMBER	Q'TY	DESCRIPTION	REMARKS	NOTE1	NOTE2
1		70210-51100	1	CLUTCH SHOE ASSY			
2	•	20020-51112	1	CLUTCH BOSS			
3	•	20020-51121	4	CLUTCH SHOE			
4	•	20020-51131	4	SPRING			
5	•	20020-51140	1	PLATE			
6	•	20020-51150	2	CLUTCH BOLT			
7	•	70210-51160	2	SCREW FLAT		M5	

6. Ref.6



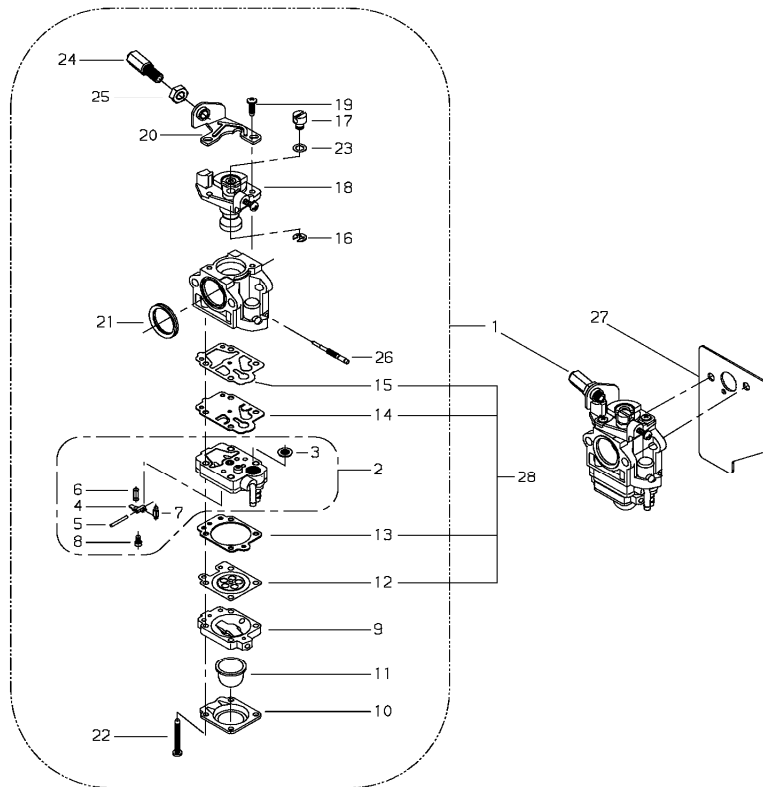
KEY	LV	PART NUMBER	Q'TY	DESCRIPTION	REMARKS	NOTE1	NOTE2
1		62128-71110	1	ROTOR			
2		02403-03100	1	KEY	3*10	3x10	
3		20035-71220	1	NUT			
4		62128-71210	1	COIL			
5		70030-71620	1	INSULATOR			
6		14352-02100	1	LEAD WIRE		0.5fmm2 L215	
7		20000-72230	1	SPRING SPARK PLUG			
8		11060-04204	2	BOLT ADHESIVE		M4x20	
9		13000-13506	1	SPARK PLUG BPMR6A		BPMR6A	
10		22160-72220	1	PLUG CAP			
11		22160-72260	1	COVER,CAP			
12		62100-71310	1	TUBE			

7. Ref.7



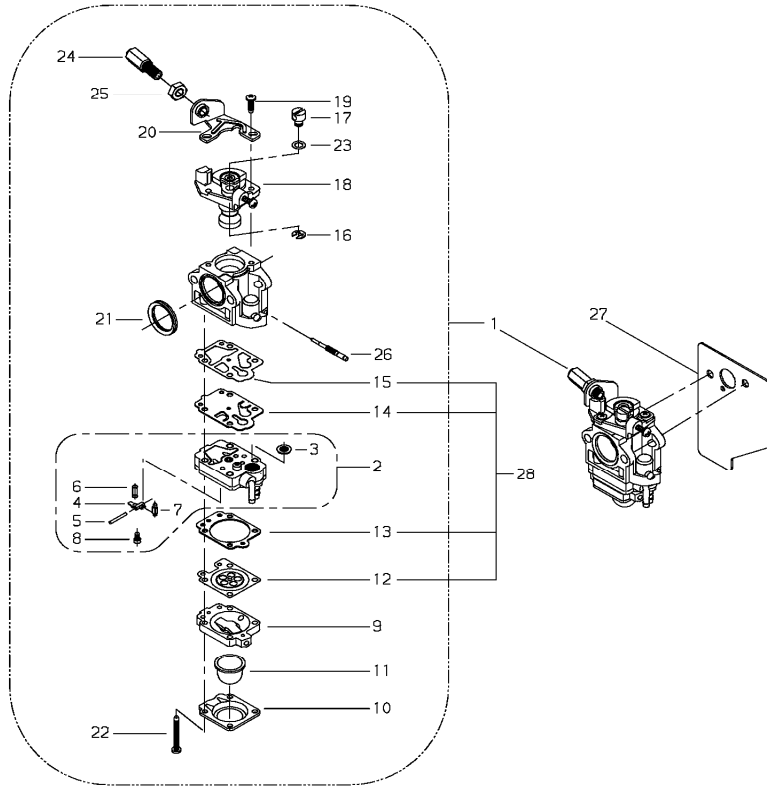
KEY	LV	PART NUMBER	Q'TY	DESCRIPTION	REMARKS	NOTE1	NOTE2
1		62129-75010	1	RECOIL STARTER ASSY			
2	•	62129-75110	1	STARTER CASE			
3	•	62129-75120	1	REEL			
4	•	62129-75310	1	CAM			
5	•	62129-75320	1	COIL SPRING			
6	•	20024-75130	1	RECOIL SPRING			
7	•	37013-75310	1	SCREW			
8	•	62129-75140	1	ROPE			
9	•	20010-75190	1	STARTER KNOB			
10	•	20010-75210	1	STOPPER			
11		62129-75020	1	STARTER PULLEY ASSY			
12		6213091320	1	LABEL TRADE			

8. Ref.8



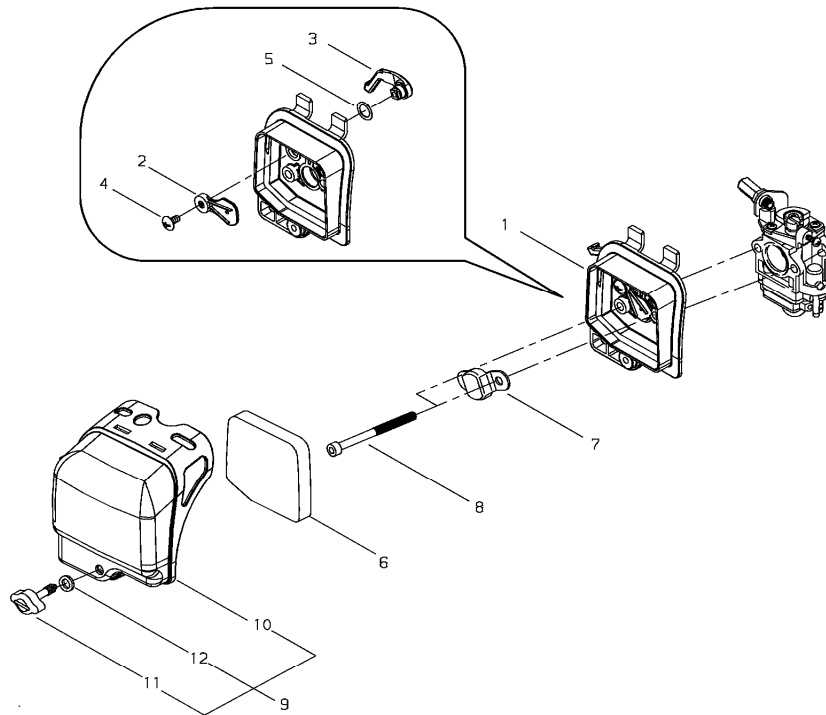
KEY	LV	PART NUMBER	Q'TY	DESCRIPTION	REMARKS	NOTE1	NOTE2
1		62128-81010	1	CARBURETOR ASSY			
2	•	20016-81410	1	PUMP BODY COMP			
3	• •	70030-81380	1	SCREEN			
4	• •	22100-81230	1	LEVER, METERING			
5	• •	22100-81250	1	PIN			
6	• •	20016-81270	1	SPRING			
7	• •	20036-81440	1	VALVE			
8	• •	20016-81450	1	SCREW			
9	•	20016-81420	1	PUMP BASE COMP			
10	•	20016-81510	1	PUMP COVER			
11	•	20036-81670	1	PRIMER PUMP			
12	•	37145-81320	1	DIAPHRAGM			
13	•	20016-81280	1	GASKET			
14	•	70097-81320	1	DIAPHRAGM			
15	•	70097-81310	1	GASKET,PUMP			
16	•	20036-81195	1	E RING			
17	•	72933-81450	1	SWIVEL			
18	•	62128-81310	1	THROTTLE VALVE			
19	•	70097-81290	2	SCREW			
20	•	20089-81130	1	BRACKET			
21	•	72933-81250	1	RING GASKET			
22	•	20016-81140	4	SCREW			
23	•	20089-81185	1	WASHER			
24	•	20123-81120	1	CABLE ADJUSTER			
25	•	20036-81120	1	NUT			
26	•	62100-81320	1	NEEDLE			

8. Ref.8



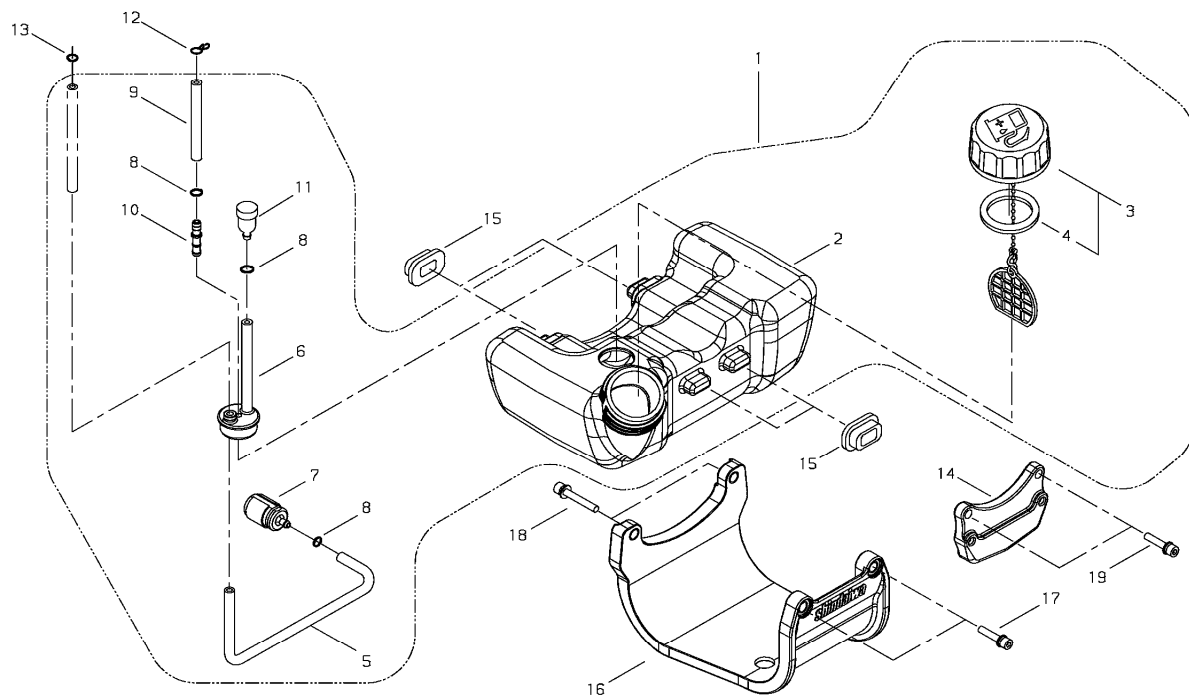
KEY	LV	PART NUMBER	Q'TY	DESCRIPTION	REMARKS	NOTE1	NOTE2
27		62128-81210	1	GASKET			
28		60141-98400	1	GASKET SET			

9. Ref.9



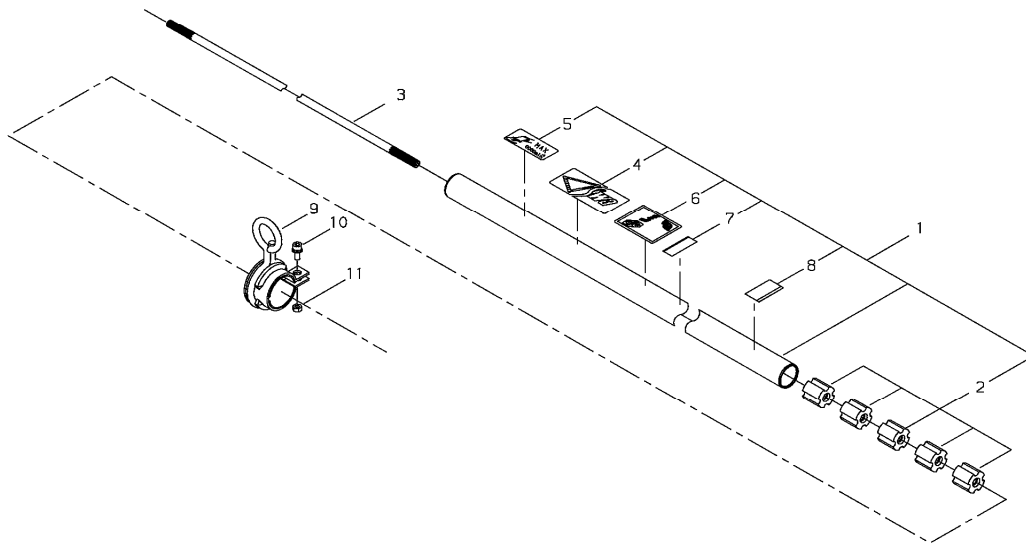
KEY	LV	PART NUMBER	Q'TY	DESCRIPTION	REMARKS	NOTE1	NOTE2
1		62100-82014	1	CLEANER BODY ASSY			
2	▪	62100-82330	1	CHOKE PLATE			
3	▪	62100-82320	1	CHOKE LEVER			
4	▪	01275-04122	1	SCREW, TRUSS, T		4x12	
5	▪	38110-82340	1	WAVE WASHER			
6		62100-82120	1	FILTER			
7		62100-82310	1	BACK PLATE			
8		01020-05605	2	BOLT		M5x60	
9		62100-82031	1	CLEANER COVER ASSY			
10	▪	62100-82130	1	CLEANER COVER			
11	▪	37033-82320	1	KNOB			
12	▪	23627-21220	1	COLLAR			

10. Ref.10



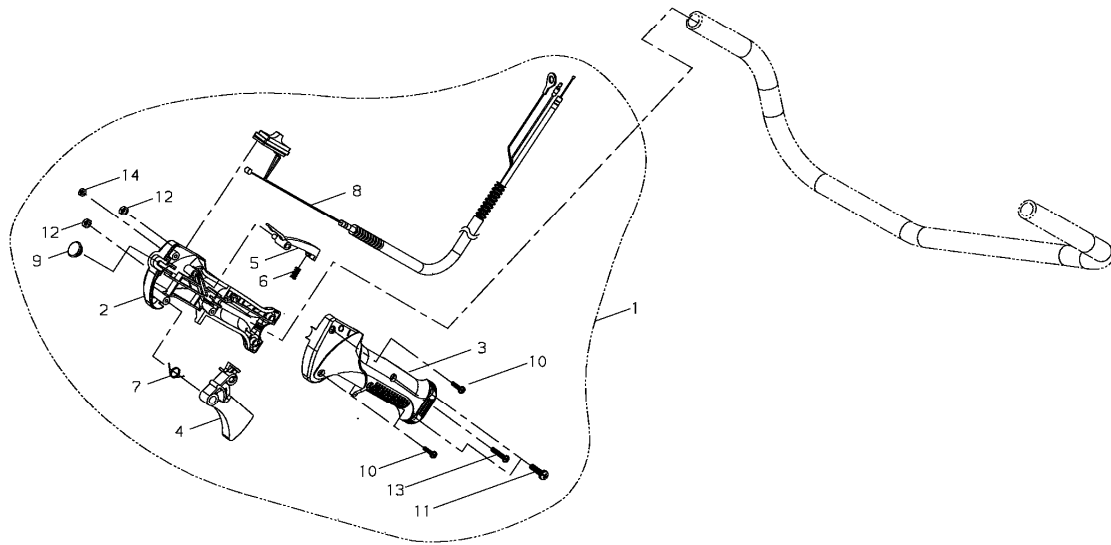
KEY	LV	PART NUMBER	Q'TY	DESCRIPTION	REMARKS	NOTE1	NOTE2
2		62128-85110	1	FUEL TANK			
3		68204-85020	1	FUEL CAP ASSY			
4		20000-85221	1	GASKET			
5		62035-85310	1	FUEL PIPE			
6		72933-85350	1	GROMMET			
7		22115-85401	1	FUEL FILTER			
8		20020-85540	3	CLIP			
9		70170-83311	1	PIPE			
10		72933-85620	1	JOINT			
11		20035-85522	1	VALVE			
12		37013-85310	1	CLIP			
13		20020-85540	1	CLIP			
14		62128-85210	1	TANK BRACKET			
15		62901-85220	4	TANK CUSHION			
16		62128-85310	1	TANK GUARD			
17		11022-05200	2	BOLT SPW		M5x20	
18		11024-05400	2	BOLT SW		M5x40	
19		11060-05203	2	BOLT ADHESIVE		M5x20	

11. Ref.11



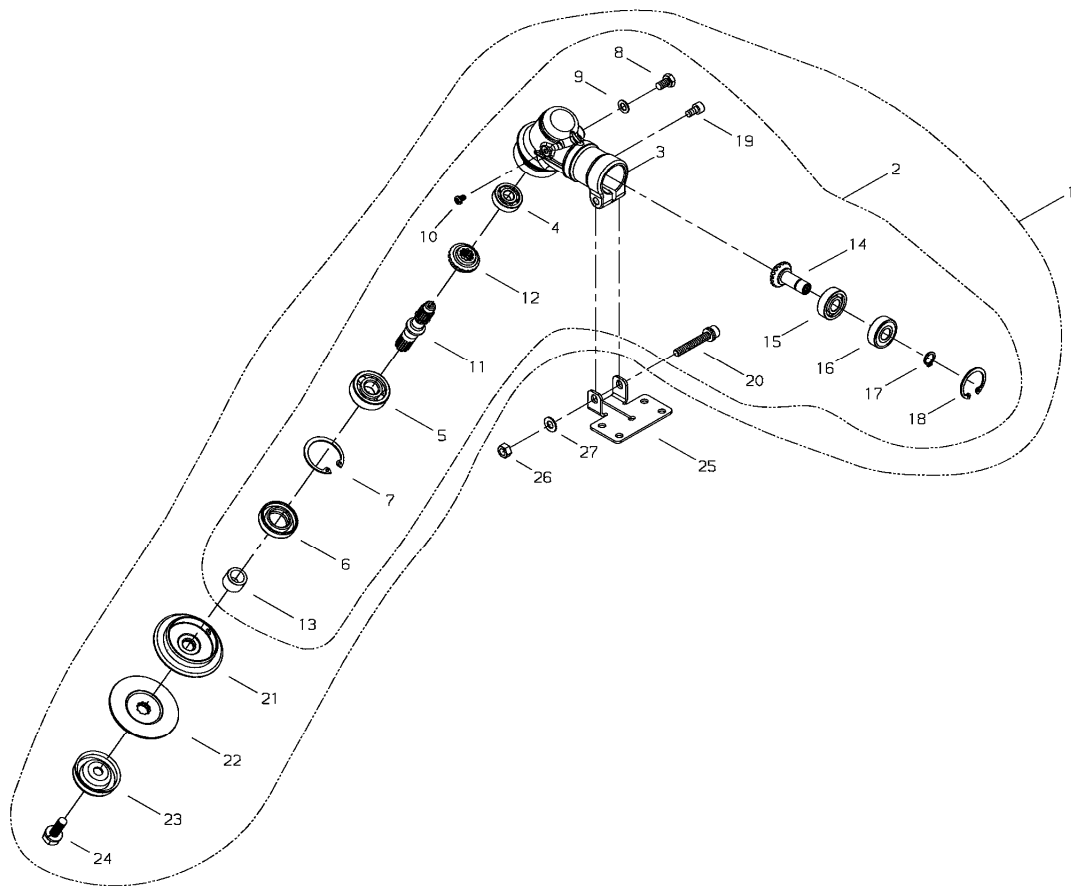
KEY	LV	PART NUMBER	Q'TY	DESCRIPTION	REMARKS	NOTE1	NOTE2
1		63091-62011	1	OUTER PIPE-C			
2	•	63049-62120	5	BUSH			
3		72475-12400	1	MAIN SHAFT SUB ASSY			
4	•	19422-00010	1	LABEL CAUTION			
5	•	19402-00236	1	LABEL CAUTION			
6	•	19404-00037	1	LABEL DECIBEL			
7	•	72017-12150	1	HANDLE LABEL			
8	•	72005-12140	1	CAUTION PLATE			
9		22009-12210	1	HANGER			
10		11022-05120	1	BOLT SPW			
11		01500-05041	1	NUT	M5		

12. Ref.12



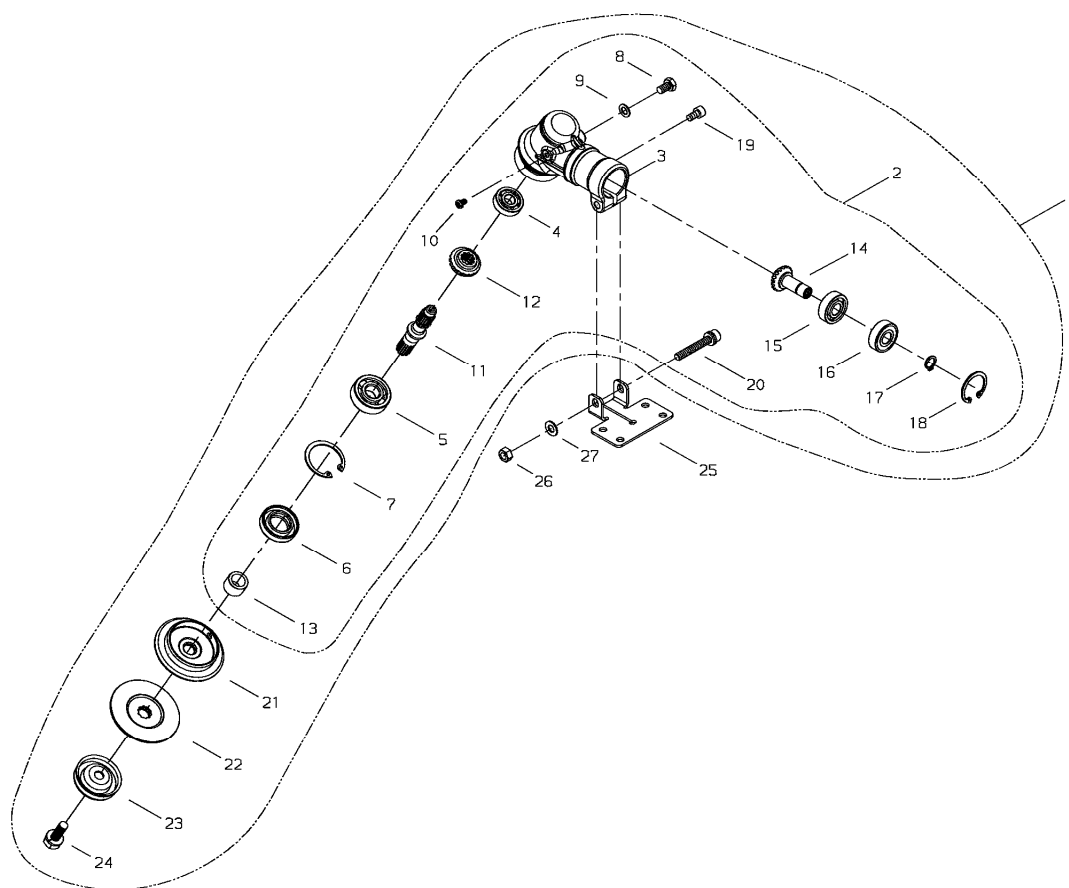
KEY	LV	PART NUMBER	Q'TY	DESCRIPTION	REMARKS	NOTE1	NOTE2
1		64122-64060	1	THROTTLE LEVER ASSY			
2	•	72550-14512	1	BODY RIGHT			
3	•	64122-64310	1	BODY,LEFT			
4	•	70871-65130	1	LEVER			
5	•	70871-65140	1	LOCK LEVER			
6	•	70871-65150	1	COIL SPRING			
7	•	70871-65160	1	COIL SPRING			
8	•	64117-64340	1	THROTTLE CABLE ASSY			
9	•	22150-33630	1	PLUG			
10	•	70871-65311	3	SCREW TAPPING		4*16	
11	•	70871-65320	2	SCREW PM		M5*20	
12	•	01501-05030	2	NUT	M5	M5	
13	•	70871-65330	1	SCREW		M4*23	
14	•	70871-65340	1	NUT		M4	

13. Ref.13

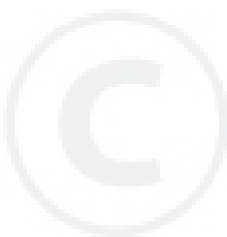


KEY	LV	PART NUMBER	Q'TY	DESCRIPTION	REMARKS	NOTE1	NOTE2
1		60142-98320	1	GEAR CASE ASSY			
2	•	60141-98320	1	GEAR CASE SUBASSY			
3	• •	63091-63110	1	GEAR CASE			
4	• •	12900-06092	1	BEARING		609	
5	• •	12900-62015	1	BALL BEARING		6201	
6	• •	22024-13121	1	OIL SEAL			
7	• •	02432-32120	1	SNAP RING		32mm、C	
8	• •	01014-06100	1	BOLT		M6x10	
9	• •	01610-06080	1	WASHER		6mm	
10	• •	11203-04060	1	SCREW PM		M4x6	
11	• •	63091-63130	1	GEAR SHAFT			
12	• •	63091-63140	1	BEVEL GEAR			
13	• •	22000-13230	1	COLLAR			
14	• •	63091-63150	1	BEVEL PINION		φ8	
15	• •	12900-60003	1	BEARING		6000	
16	• •	1290060005	1	BEARING		6000Z	
17	• •	02430-10100	1	SNAP RING		10mm、C	
18	• •	02432-26120	1	SNAP RING		26mm、C	
19	• •	01020-05100	1	BOLT		M5x10	
20	• •	11022-06400	1	BOLT SPW		M6x40	
21	•	63091-63160	1	HOLDER			
22	•	63091-63170	1	HOLDER			
23	•	63092-63310	1	BOLT GUARD			
24	•	11031-08220	1	BOLT SW		M8x22	
25		63076-63310	1	LOWER CLAMP			
26		01500-06051	1	NUT	M6	M6	

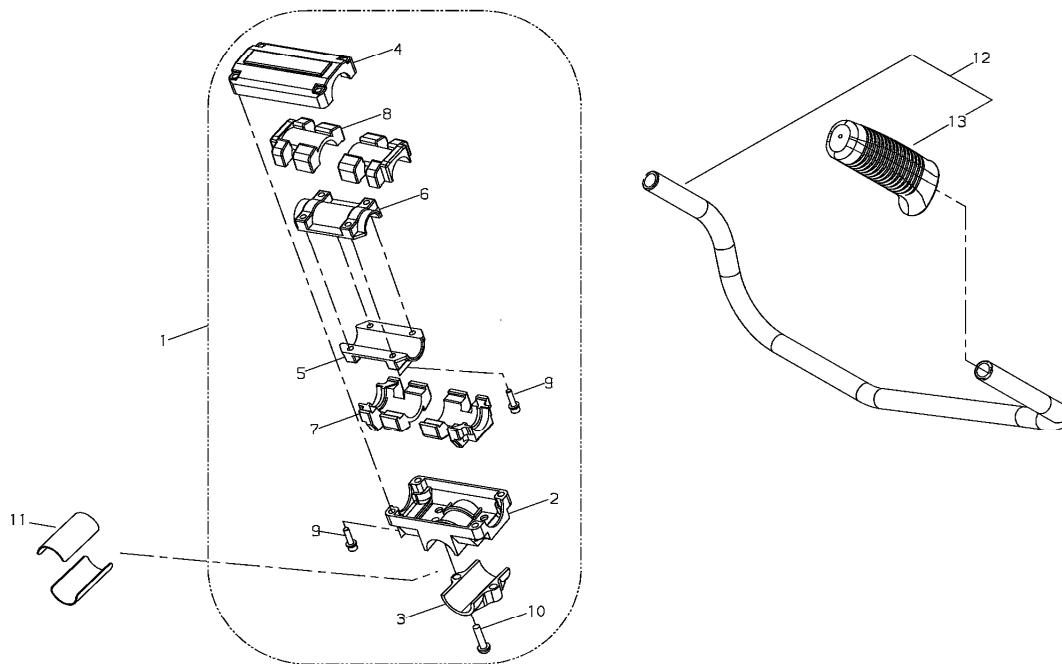
13. Ref.13



KEY	LV	PART NUMBER	Q'TY	DESCRIPTION	REMARKS	NOTE1	NOTE2
27		01613-06100	1	WASHER		6mm	

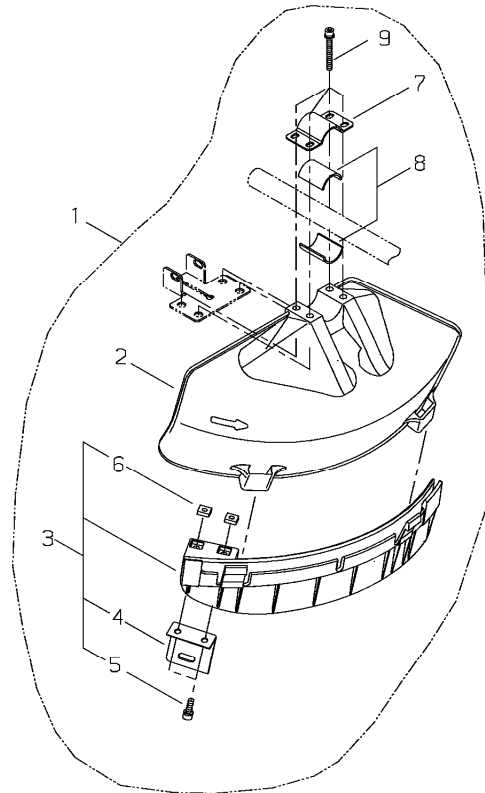


14. Ref.14



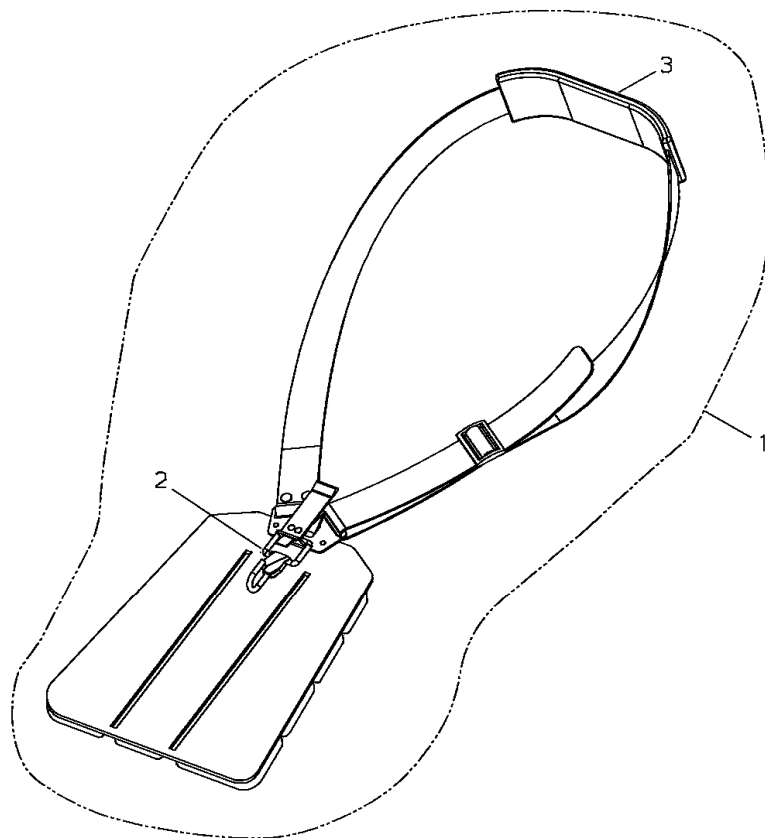
KEY	LV	PART NUMBER	Q'TY	DESCRIPTION	REMARKS	NOTE1	NOTE2
1		72555-14100	1	BRACKET COMP			
2	•	72555-14110	1	HANDLE BRACKET			
3	•	72555-14120	1	LOWER CAP			
4	•	72555-14130	1	UPPER CAP			
5	•	22015-14140	1	LOWER CLAMP			
6	•	22015-14150	1	UPPER CLAMP			
7	•	22015-14160	2	LOWER CUSHION			
8	•	22015-14170	2	UPPER CUSHION			
9	•	11022-05250	8	BOLT SPW		M5x25	
10	•	11210-06250	2	SCREW BUTTON		M6x25	
11		72445-14190	2	SPACER			
12		72550-14200	1	HANDLE SUB ASSY			
13	•	72451-14320	1	GRIP			

15. Ref.15

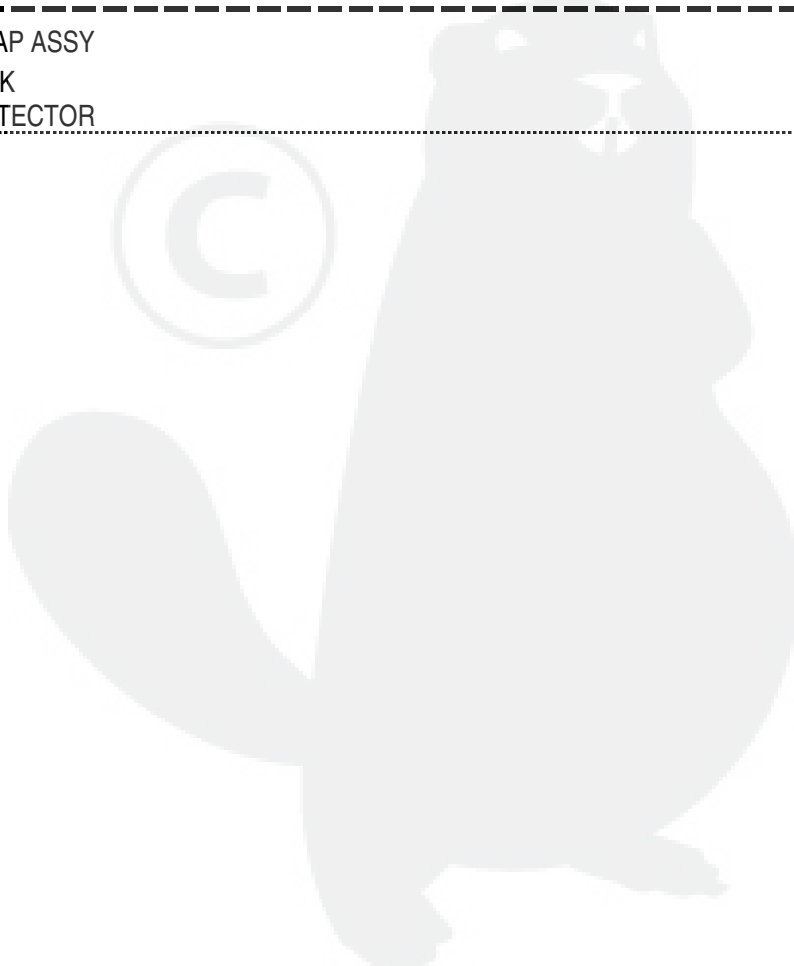


KEY	LV	PART NUMBER	Q'TY	DESCRIPTION	REMARKS	NOTE1	NOTE2
1		64000-66311	1	GUARD SET			
2	•	62903-66111	1	GUARD			
3	•	62903-66332	1	SUB GUARD ASSY			
4	• •	72480-16121	1	CUTTER			
5	• •	11020-05160	2	BOLT SW		M5x16	
6	• •	22420-16120	2	NUT			
7	•	72480-16210	1	UPPER CLAMP			
8	•	72441-16220	2	SPACER			
9	•	11022-05450	4	BOLT SPW		M5x45	

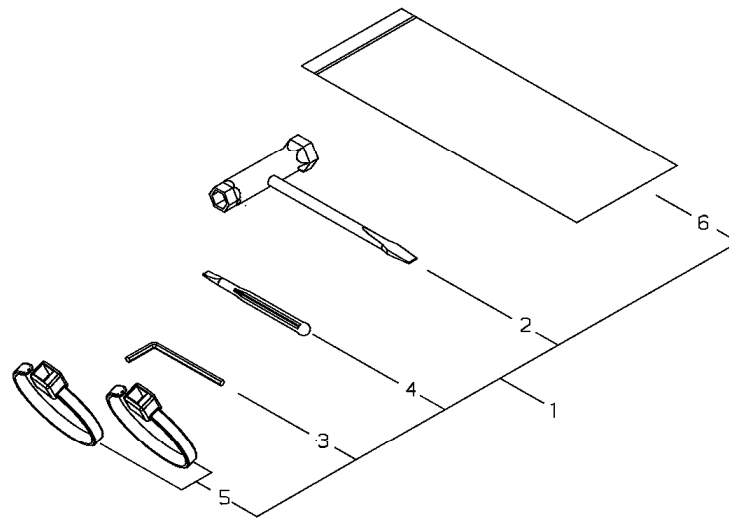
16. Ref.16



KEY	LV	PART NUMBER	Q'TY	DESCRIPTION	REMARKS	NOTE1	NOTE2
1		72474-17201	1	STRAP ASSY			
2	•	22421-17130	1	HOOK			
3	•	22007-17220	1	PROTECTOR			

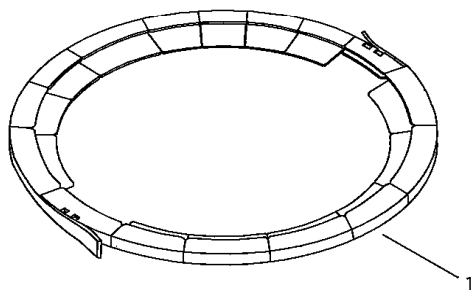


17. Ref.17



KEY	LV	PART NUMBER	Q'TY	DESCRIPTION	REMARKS	NOTE1	NOTE2
1		62130-92310	1	TOOL SET			
2	•	72320-91410	1	PLUG WRENCH	19-13	13x19mm	
3	•	09026-04001	1	HEXA WRENCH	4MM M5㉿	4mm M5	
4	•	62023-92010	1	SCRAPER			
5	•	72431-12190	2	BAND			
6	•	19639-01400	1	BAG,PACKING	140*200*T0.08	G-8 140*200*t0.08	

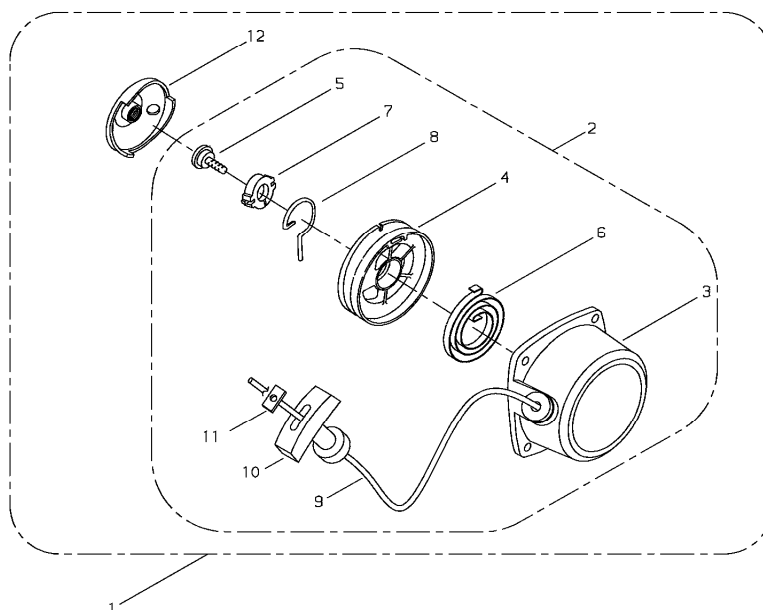
18. Ref.18



KEY	LV	PART NUMBER	Q'TY	DESCRIPTION	REMARKS	NOTE1	NOTE2
1		22550-92310	1	BLADE COVER			

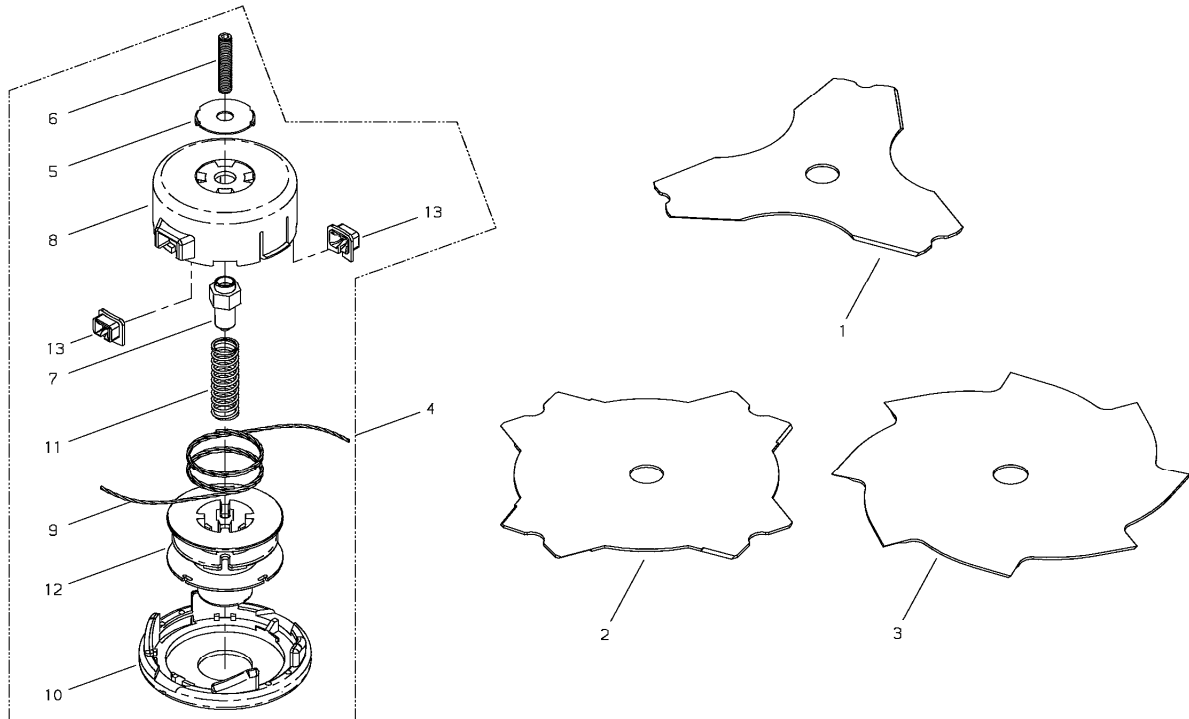


19. Ref.19



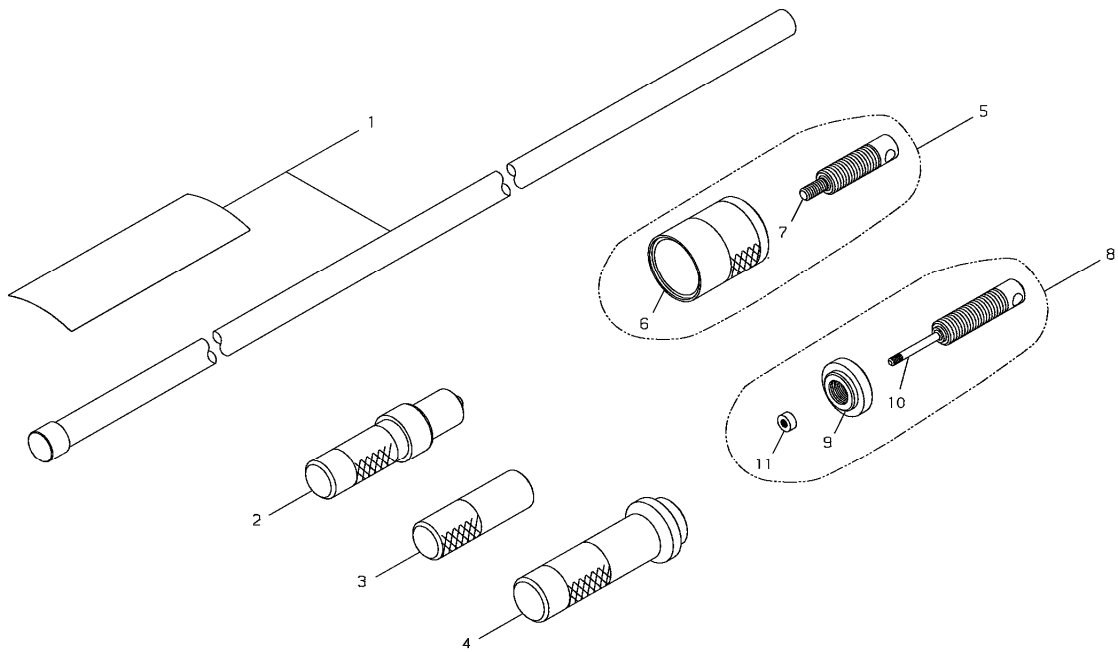
KEY	LV	PART NUMBER	Q'TY	DESCRIPTION	REMARKS	NOTE1	NOTE2
1		6014498310	1	RECOIL STARTER SET			
2	•	62128-75010	1	RECOIL STARTER ASSY			
3	• •	62128-75110	1	STARTER CASE			
4	• •	62907-75120	1	REEL			
5	• •	37013-75310	1	SCREW			
6	• •	70030-75130	1	RECOIL SPRING			
7	• •	37013-75320	1	COLLAR			
8	• •	37013-75330	1	SWING ARM			
9	• •	62128-75140	1	ROPE			
10	• •	20010-75190	1	STARTER KNOB			
11	• •	20010-75210	1	STOPPER			
12	•	37013-75210	1	STARTER PULLEY			

20. Ref.20



KEY	LV	PART NUMBER	Q'TY	DESCRIPTION	REMARKS	NOTE1	NOTE2
1		72430-92142	1	TRIPLE SAW			
2		60903-98320	1	CROSS SAW			
3		60903-98310	1	EDDY SAW			
4		60144-98330	1	TRIMMER HEAD			
5	•	72562-15180	1	PLATE			
6	•	78820-04310	1	BOLT		M8x1.25	
7	•	78820-04320	1	NUT		M8x1.25	
8	•	78820-04330	1	HOUSING			
9	•	60144-98340	1	NYLON CORD		φ3.3x2m	
10	•	78820-04340	1	COVER			
11	•	72562-15170	1	SPRING			
12	•	72562-15140	1	SPOOL			
13	•	72562-15150	2	EYELET			

21. Ref.21



KEY	LV	PART NUMBER	Q'TY	DESCRIPTION	REMARKS	NOTE1	NOTE2
1		22000-96101	1	ROD BUSHING ASSY			
2		60141-98350	1	ROD			
3		60141-98360	1	ROD			
4		60141-98370	1	ROD			
5		22000-96501	1	PULLER ASSY			
6	•	22000-96510	1	HOLDER			
7	•	22000-96521	1	BOLT			
8		22000-96601	1	PULLER ASSY			
9	•	22000-96610	1	HOLDER			
10	•	22000-96622	1	BOLT			
11	•	22000-96630	1	NUT			

Index

Patrs Number	Key No.	Patrs Number	Key No.	Patrs Number	Key No.
01014-06100	13 - 8	14352-02100	6 - 6	22000-96630	21 - 11
01020-05100	13 - 19	19402-00236	11 - 5	22007-17220	16 - 3
01020-05120	2 - 10	19404-00037	11 - 6	22009-12210	11 - 9
01020-05160	1 - 3	19422-00010	11 - 4	22015-14140	14 - 5
01020-05250	3 - 8	19639-01400	17 - 6	22015-14150	14 - 6
01020-05555	2 - 8	20000-31140	3 - 14	22015-14160	14 - 7
01020-05605	9 - 8	20000-41320	4 - 4	22015-14170	14 - 8
01211-04080	2 - 6	20000-72230	6 - 7	22024-13121	13 - 6
01275-04122	9 - 4	20000-85221	10 - 4	22100-81230	8 - 4
01500-05041	11 - 11	20010-75190	19 - 10	22100-81250	8 - 5
01500-06051	13 - 26	20010-75190	7 - 9	22115-85401	10 - 7
01501-05030	12 - 12	20010-75210	19 - 11	22150-33630	12 - 9
01610-05085	2 - 9	20010-75210	7 - 10	22160-72220	6 - 10
01610-06080	13 - 9	20016-81140	8 - 22	22160-72260	6 - 11
01613-06100	13 - 27	20016-81270	8 - 6	22420-16120	15 - 6
02036-06001	3 - 11	20016-81280	8 - 13	22421-17130	16 - 2
02403-03100	6 - 2	20016-81410	8 - 2	22550-92310	18 - 1
02430-10100	13 - 17	20016-81420	8 - 9	23627-21220	9 - 12
02432-26120	13 - 18	20016-81450	8 - 8	37013-75210	19 - 12
02432-28120	3 - 12	20016-81510	8 - 10	37013-75310	19 - 5
02432-32120	13 - 7	20020-51112	5 - 2	37013-75310	7 - 7
09026-04001	17 - 3	20020-51121	5 - 3	37013-75320	19 - 7
11020-05160	15 - 5	20020-51131	5 - 4	37013-75330	19 - 8
11022-05120	11 - 10	20020-51140	5 - 5	37013-85310	10 - 12
11022-05160	3 - 23	20020-51150	5 - 6	37019-41240	4 - 6
11022-05200	10 - 17	20020-85540	10 - 8	37033-82320	9 - 11
11022-05200	3 - 15	20020-85540	10 - 13	37145-81320	8 - 12
11022-05250	14 - 9	20024-31411	3 - 19	38110-82340	9 - 5
11022-05300	1 - 6	20024-31421	3 - 20	60141-98310	4 - 8
11022-05450	15 - 9	20024-31431	3 - 21	60141-98320	13 - 2
11022-06280	3 - 24	20024-41311	4 - 3	60141-98350	21 - 2
11022-06400	13 - 20	20024-75130	7 - 6	60141-98360	21 - 3
11024-05400	10 - 18	20035-71220	6 - 3	60141-98370	21 - 4
11031-08220	13 - 24	20035-85522	10 - 11	60141-98400	8 - 28
11060-04204	6 - 8	20036-81120	8 - 25	60142-98320	13 - 1
11060-05203	10 - 19	20036-81195	8 - 16	6014498310	19 - 1
11060-05203	3 - 18	20036-81440	8 - 7	60144-98330	20 - 4
11203-04060	13 - 10	20036-81670	8 - 11	60144-98340	20 - 9
11210-06250	14 - 10	20089-81130	8 - 20	60903-98310	20 - 3
12310-12002	3 - 3	20089-81185	8 - 23	60903-98320	20 - 2
12310-12002	3 - 6	20123-81120	8 - 24	62023-92010	17 - 4
12492-40080	3 - 7	22000-13230	13 - 13	62035-85310	10 - 5
12900-06092	13 - 4	22000-96101	21 - 1	62100-12220	1 - 5
12900-60003	13 - 15	22000-96501	21 - 5	62100-15370	2 - 4
1290060005	13 - 16	22000-96510	21 - 6	62100-15392	2 - 3
12900-62010	3 - 2	22000-96521	21 - 7	62100-71310	6 - 12
12900-62010	3 - 5	22000-96601	21 - 8	62100-81320	8 - 26
12900-62015	13 - 5	22000-96610	21 - 9	62100-82014	9 - 1
13000-13506	6 - 9	22000-96622	21 - 10	62100-82031	9 - 9

Index

Patrs Number	Key No.	Patrs Number	Key No.	Patrs Number	Key No.
62100-82120	9 - 6	63049-62120	11 - 2	72555-14130	14 - 4
62100-82130	9 - 10	63076-63310	13 - 25	72562-15140	20 - 12
62100-82310	9 - 7	63091-62011	11 - 1	72562-15150	20 - 13
62100-82320	9 - 3	63091-63110	13 - 3	72562-15170	20 - 11
62100-82330	9 - 2	63091-63130	13 - 11	72562-15180	20 - 5
62128-12010	1 - 1	63091-63140	13 - 12	72933-81250	8 - 21
62128-12120	1 - 2	63091-63150	13 - 14	72933-81450	8 - 17
62128-12211	1 - 4	63091-63160	13 - 21	72933-85350	10 - 6
62128-15010	2 - 1	63091-63170	13 - 22	72933-85620	10 - 10
62128-15211	2 - 7	63092-63310	13 - 23	78820-04310	20 - 6
62128-15400	2 - 2	64000-66311	15 - 1	78820-04320	20 - 7
62128-15410	2 - 5	64117-64340	12 - 8	78820-04330	20 - 8
62128-21010	3 - 1	64122-64060	12 - 1	78820-04340	20 - 10
62128-21020	3 - 4	64122-64310	12 - 3		
6212831010	3 - 9	68204-85020	10 - 3		
6212831110	3 - 10	70030-71620	6 - 5		
62128-31211	3 - 13	70030-75130	19 - 6		
62128-32110	3 - 16	70030-81380	8 - 3		
62128-32310	3 - 17	70097-81290	8 - 19		
62128-33140	3 - 22	70097-81310	8 - 15		
62128-41110	4 - 1	70097-81320	8 - 14		
62128-41120	4 - 2	70170-83311	10 - 9		
62128-42010	4 - 7	70210-51100	5 - 1		
62128-71110	6 - 1	70210-51160	5 - 7		
62128-71210	6 - 4	70871-65130	12 - 4		
62128-75010	19 - 2	70871-65140	12 - 5		
62128-75110	19 - 3	70871-65150	12 - 6		
62128-75140	19 - 9	70871-65160	12 - 7		
62128-81010	8 - 1	70871-65311	12 - 10		
62128-81210	8 - 27	70871-65320	12 - 11		
62128-81310	8 - 18	70871-65330	12 - 13		
62128-85110	10 - 2	70871-65340	12 - 14		
62128-85210	10 - 14	72005-12140	11 - 8		
62128-85310	10 - 16	72017-12150	11 - 7		
62129-75010	7 - 1	72320-91410	17 - 2		
62129-75020	7 - 11	72430-92142	20 - 1		
62129-75110	7 - 2	72431-12190	17 - 5		
62129-75120	7 - 3	72441-16220	15 - 8		
62129-75140	7 - 8	72445-14190	14 - 11		
62129-75310	7 - 4	72451-14320	14 - 13		
62129-75320	7 - 5	72474-17201	16 - 1		
6212991330	3 - 25	72475-12400	11 - 3		
6213091320	7 - 12	72480-16121	15 - 4		
62130-92310	17 - 1	72480-16210	15 - 7		
62901-41230	4 - 5	72550-14200	14 - 12		
62901-85220	10 - 15	72550-14512	12 - 2		
62903-66111	15 - 2	72555-14100	14 - 1		
62903-66332	15 - 3	72555-14110	14 - 2		
62907-75120	19 - 4	72555-14120	14 - 3		

YAMABIKO CORPORATION

7-2 SUEHIROCHO 1-CHOME, OHME, TOKYO 198-8760, JAPAN
PHONE: 81-428-32-6118. FAX: 81-428-32-6145.

shindaiwa[®]



EC2
No.