

# Shindaiwa Illustrated Parts List

## B530 CE Brushcutter

---

|   |       |
|---|-------|
| CYLINDER / MUFFLER .....                  | 2     |
| CRANKCASE / FAN COVER / CLUTCH CASE ..... | 3     |
| PISTON / CRANKSHAFT / CLUTCH SHOE .....   | 4     |
| ROTOR / COIL ASSEMBLY .....               | 5     |
| CARBURETOR / CLEANER .....                | 6 - 7 |
| RECOIL STARTER / STARTER PULLEY .....     | 8     |
| FUEL TANK .....                           | 9     |
| OUTER PIPE / MAINSHAFT .....              | 10    |
| GEARCASE .....                            | 11    |
| GUARD / HARNESS .....                     | 12    |
| THROTTLE LEVER / HANDLE .....             | 13    |
| CUTTER / SAWS .....                       | 14    |
| TOOL SET / BLADE COVER .....              | 15    |

[www.shindaiwa.com](http://www.shindaiwa.com)

11975 SW Herman Road

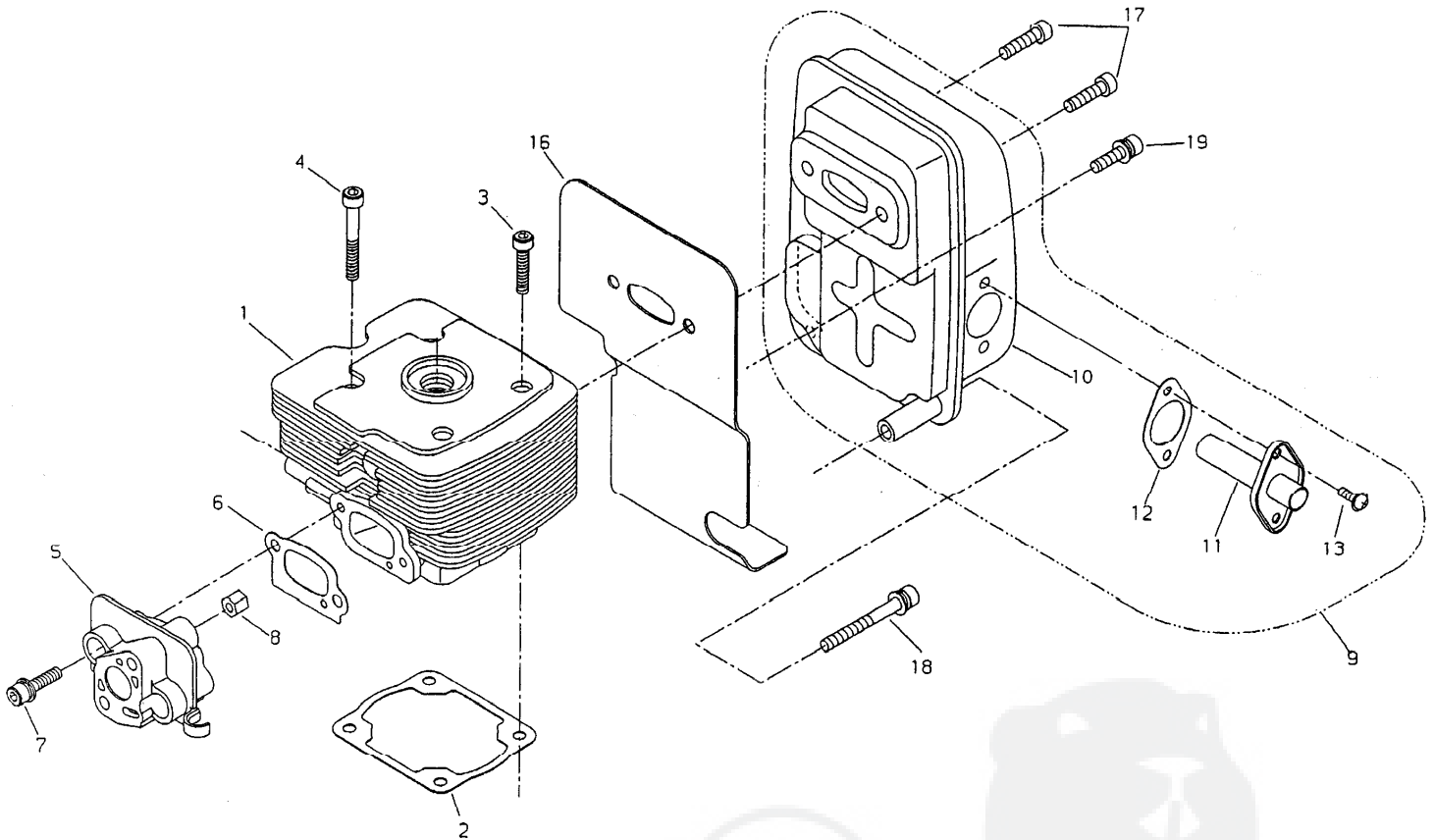
Tualatin, Oregon 97062, U.S.A.

1 + 503.692.3070 • fax 1 + 503.692.6696 •

**shindaiwa**

## CYLINDER / MUFFLER

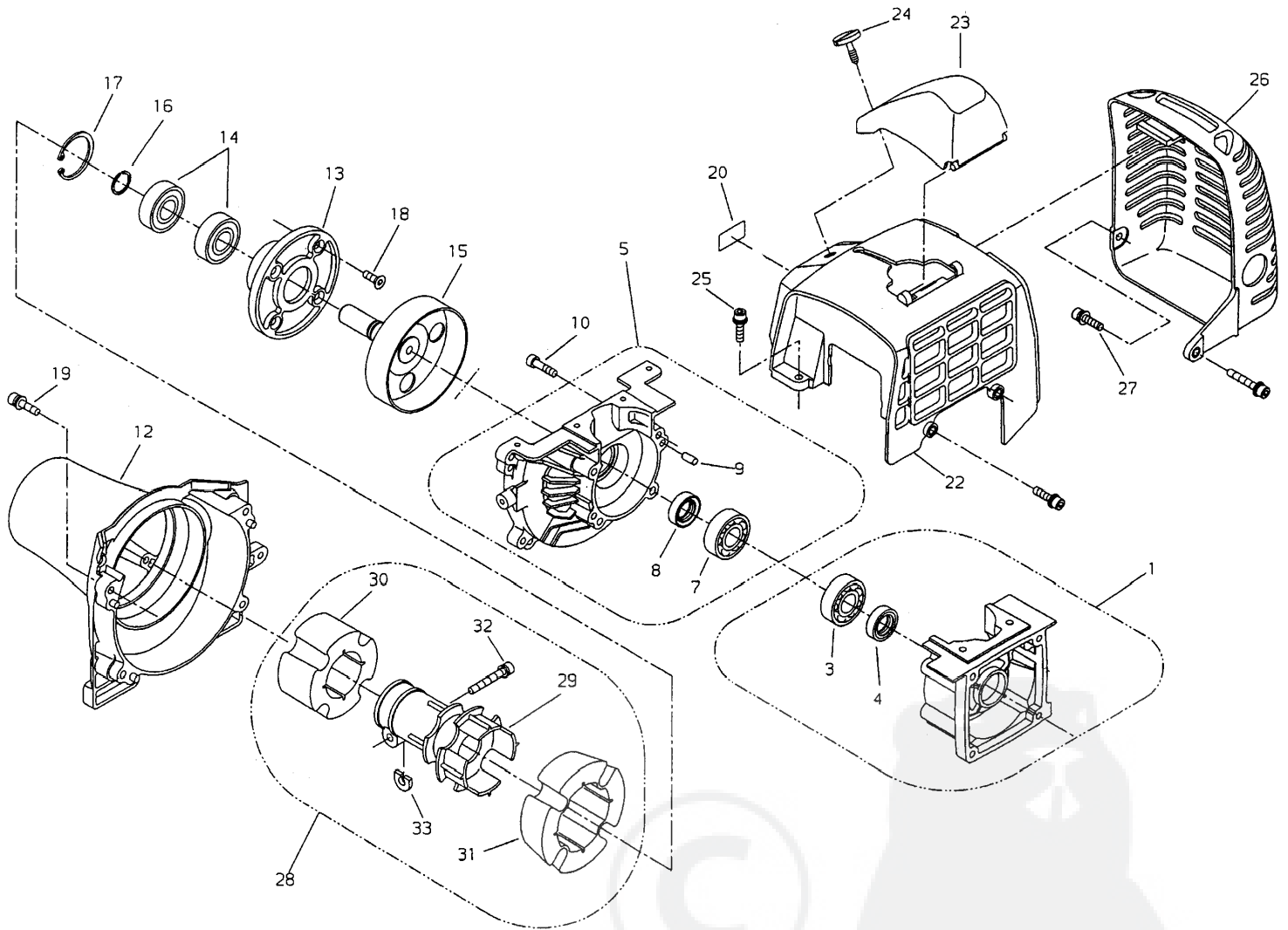
ILLUSTRATION 1 - REV 11/02



| Ref. No | Part No.    | Part Name        | Q'ty |
|---------|-------------|------------------|------|
| 1-1     | 62035-12110 | CYLINDER         | 1    |
| 2       | 62035-12120 | GASKET CYLINDER  | 1    |
| 3       | 01020-05250 | BOLT             | 3    |
| 4       | 01020-05350 | BOLT             | 1    |
| 5       | 62035-12210 | INSULATOR        | 1    |
| 6       | 62035-12220 | GASKET           | 1    |
| 7       | 11022-05300 | BOLT SW          | 2    |
| 8       | 20024-12260 | NUT              | 2    |
| 9       | 62035-15011 | MUFFLER ASSEMBLY | 1    |
| 10      | 62035-15110 | *MUFFLER         | 1    |
| 11      | 62035-15140 | *TAILPIPE        | 1    |
| 12      | 62035-15150 | *GASKET          | 1    |
| 13      | 11207-04120 | *SCREW PMSLPW    | 2    |
| 16      | 62035-15210 | GASKET MUFFLER   | 1    |
| 17      | 01020-06250 | BOLT             | 2    |
| 18      | 11022-05450 | BOLT SPW         | 1    |
| 19      | 11022-05160 | BOLT SPW         | 1    |

CRANKCASE / FAN COVER / CLUTCH CASE

ILLUSTRATION 2 - REV 11/02



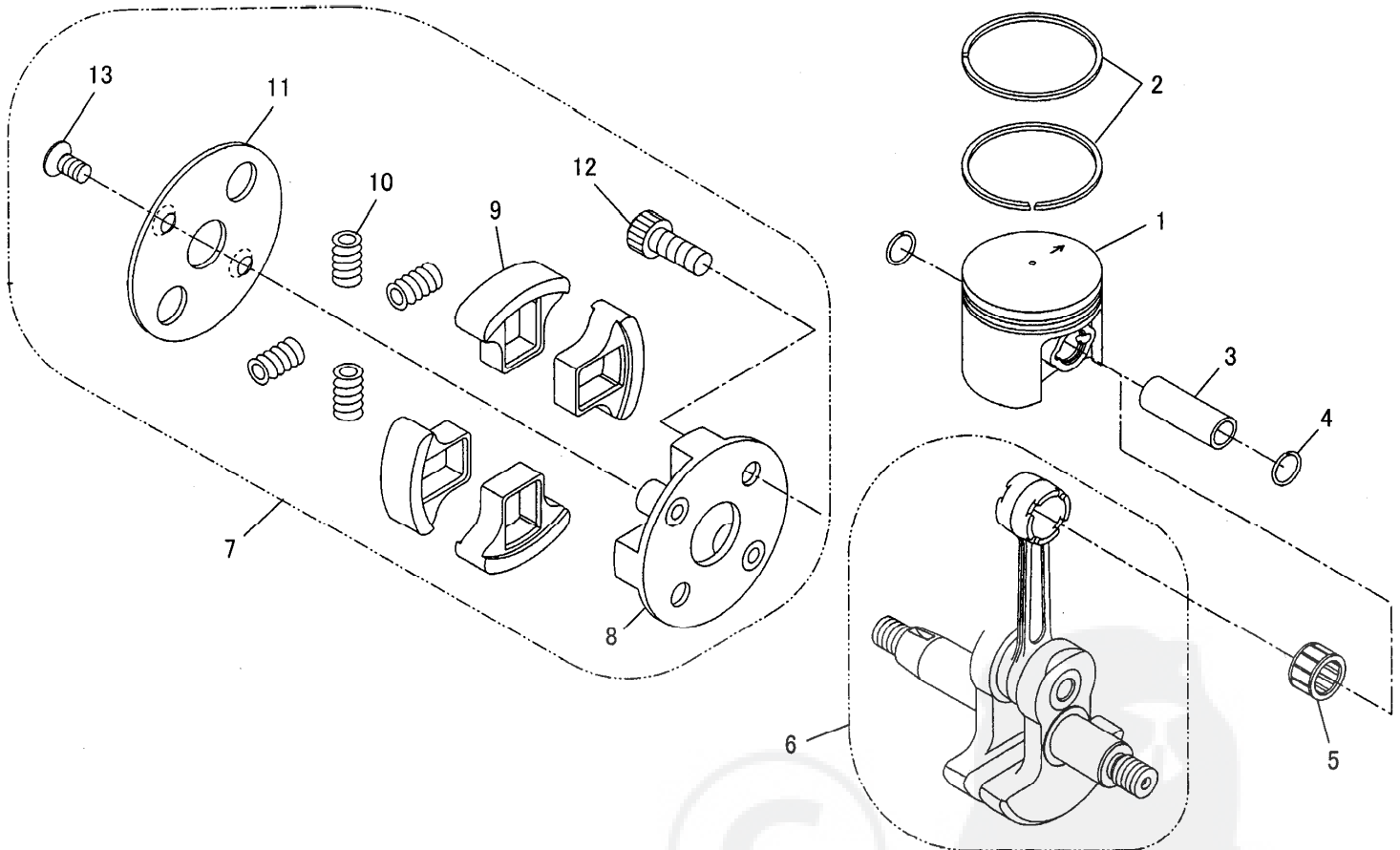
| Ref. No | Part No.    | Part Name        | Q'ty |
|---------|-------------|------------------|------|
| 2-1     | 62035-21010 | CRANKCASE S COMP | 1    |
| 3       | 02030-06202 | *BEARING         | 1    |
| 4       | 20010-21211 | *OIL SEAL        | 1    |
| 5       | 62035-21020 | CRANKCASE M COMP | 1    |
| 7       | 02030-06202 | *BEARING         | 1    |
| 8       | 20010-21211 | *OIL SEAL        | 1    |
| 9       | 12492-50100 | *ROLLER          | 2    |
| 10      | 01020-05300 | BOLT             | 4    |
| 12      | 62035-31110 | FAN COVER        | 1    |
| 13      | 62035-31310 | CLUTCH CASE      | 1    |
| 14      | 02006-06202 | BEARING          | 2    |
| 15      | 62035-31211 | CLUTCH DRUM      | 1    |
| 16      | 20011-31230 | SNAP RING        | 1    |
| 17      | 02432-35150 | SNAP RING        | 1    |

| Ref. No | Part No.    | Part Name       | Q'ty |
|---------|-------------|-----------------|------|
| 18      | 11260-05161 | SCREW ADHEISIVE | 4    |
| 19      | 11022-05300 | BOLT SW         | 4    |
| 20      | 62035-91020 | LABEL TRADE     | 1    |
| 22      | 62035-32112 | CYLINDER COVER  | 1    |
| 23      | 62035-32310 | PLUG COVER      | 1    |
| 24      | 62035-32320 | KNOB            | 1    |
| 25      | 11022-05160 | BOLT SPW        | 2    |
| 26      | 62036-32310 | MUFFLER COVER   | 1    |
| 27      | 11022-05160 | BOLT SPW        | 1    |
| 28      | 62035-33010 | JOINT ASSEMBLY  | 1    |
| 29      | 62035-33110 | *JOINT          | 1    |
| 30      | 62035-33120 | *FRONT CUSION   | 1    |
| 31      | 62035-33130 | *REAR CUSION    | 1    |
| 32      | 11022-06280 | BOLT SPW        | 1    |
| 33      | 20024-31460 | SHIM            | 1    |

\* Denotes item is part of an assembly \*\* Denotes item is part of a sub-assembly

## PISTON / CRANKSHAFT / CLUTCH SHOE

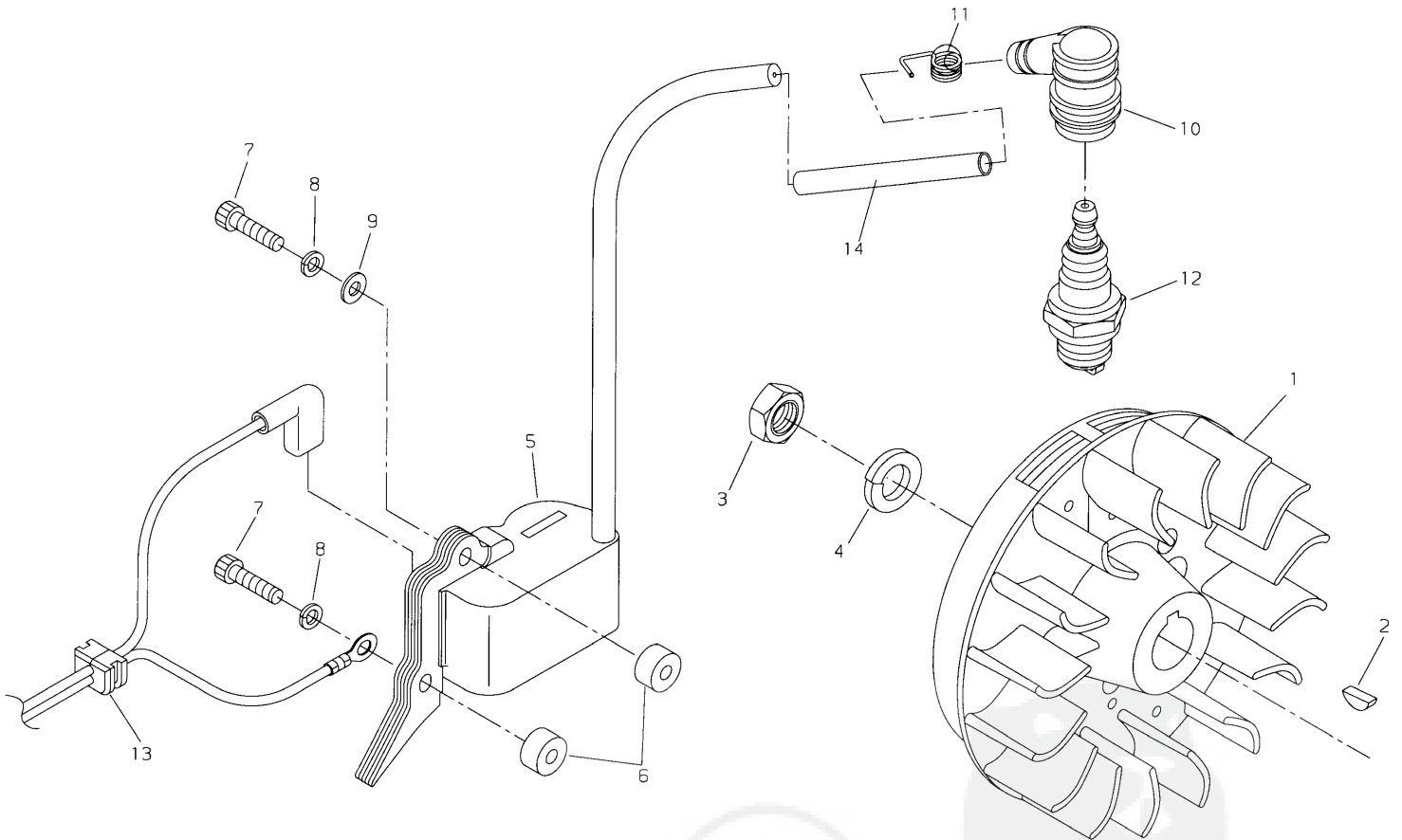
ILLUSTRATION 3 - REV 11/02



| Ref. No | Part No.    | Part Name            | Q'ty |
|---------|-------------|----------------------|------|
| 3- 1    | 62035-41110 | PISTON               | 1    |
| 2       | 62035-41120 | PISTON RING          | 2    |
| 3       | 62035-41210 | PISTON PIN           | 1    |
| 4       | 22152-41231 | SNAP RING            | 2    |
| 5       | 22150-41280 | NEEDLE BEARING       | 1    |
| 6       | 62035-42010 | CRANKSHAFT           | 1    |
| 7       | 70210-51100 | CLUTCH SHOE ASSEMBLY | 1    |
| 8       | 20020-51112 | *CLUTCH BOSS         | 1    |
| 9       | 20020-51121 | *CLUTCH SHOE         | 4    |
| 10      | 20020-51131 | *SPRING              | 4    |
| 11      | 20020-51140 | *PLATE               | 1    |
| 12      | 20020-51150 | *CLUTCH BOLT         | 2    |
| 13      | 70210-51160 | *SCREW FLAT          | 2    |

**ROTOR / COIL ASSEMBLY**

ILLUSTRATION 4 - REV 11/02

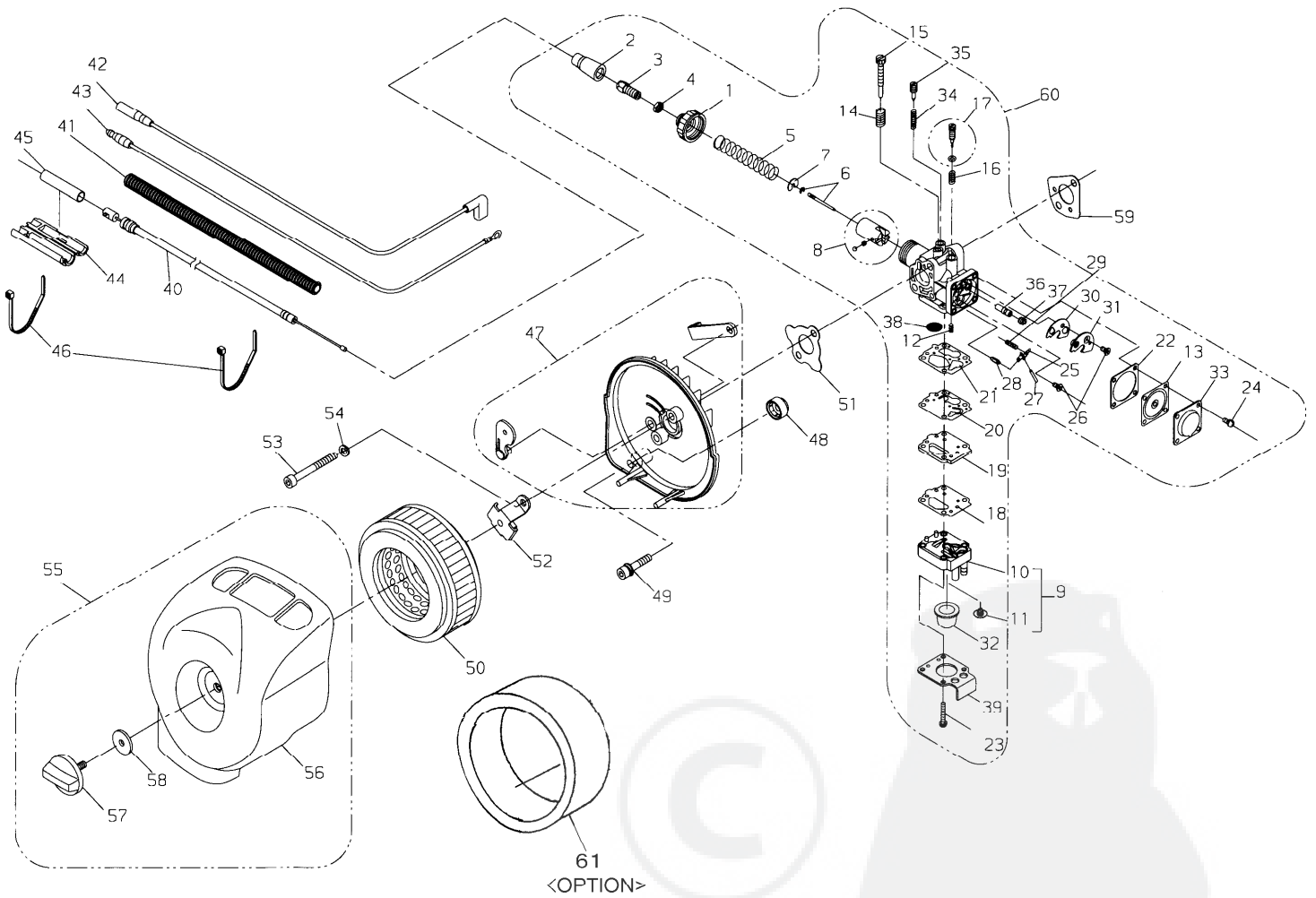


| Ref. No | Part No.    | Part Name       | Q'ty |
|---------|-------------|-----------------|------|
| 4-1     | 62035-71110 | ROTOR           | 1    |
| 2       | 02403-03100 | KEY             | 1    |
| 3       | 01511-10061 | NUT             | 1    |
| 4       | 01600-10251 | SPRING WASHER   | 1    |
| 5       | 62035-71020 | COIL ASSEMBLY   | 1    |
| 6       | 70030-71620 | INSULATOR       | 2    |
| 7       | 01020-04240 | BOLT            | 2    |
| 8       | 01600-04101 | SPRING WASHER   | 2    |
| 9       | 20010-71650 | WASHER          | 1    |
| 10      | 22160-72220 | PLUG CAP        | 1    |
| 11      | 22154-72230 | SPRING PLUG     | 1    |
| 12      | 13000-13406 | SPARKPLUG BMR6A | 1    |
| 13      | 62035-71320 | GROMMET         | 1    |
| 14      | 22155-72280 | PIPE CORD B     | 1    |

\* Denotes item is part of an assembly \*\* Denotes item is part of a sub-assembly

## CARBURETOR / CLEANER

ILLUSTRATION 6 - REV 11/02



## CARBURETOR / CLEANER

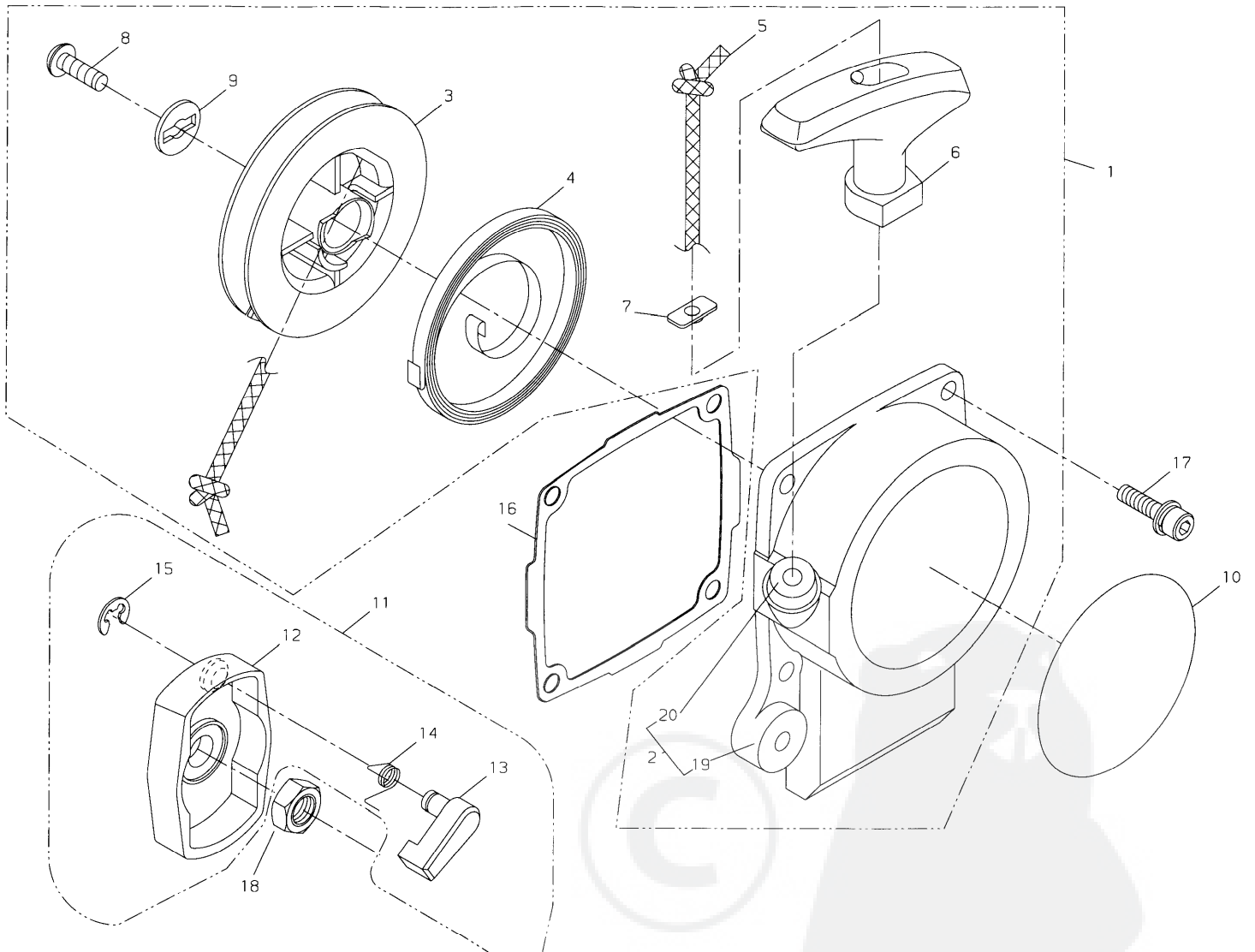
ILLUSTRATION 6 - REV 11/02

| Ref. No | Part No.    | Part Name            | Q'ty |
|---------|-------------|----------------------|------|
| 6-60    | 62035-81013 | CARBURETOR ASSEMBLY  | 1    |
| 1       | 72921-81120 | *BODY CAP            | 1    |
| 2       | 72920-81130 | *ADJUSTER CAP        | 1    |
| 3       | 20020-81110 | *CABLE ADJUSTER      | 1    |
| 4       | 20000-81260 | *LOCKNUT             | 1    |
| 5       | 20020-81140 | *SPRING              | 1    |
| 6       | 62035-81432 | *JET NEEDLE          | 1    |
| 7       | 20020-81150 | *SPRING RECIEVE      | 1    |
| 8       | 62035-81330 | *THROTTLE VALVE      | 1    |
| 9       | 62035-81340 | *PUMP COVER ASSEMBLY | 1    |
| 10      | 62035-81350 | **PUMP COVER         | 1    |
| 11      | 68501-81340 | **VALVE              | 1    |
| 12      | 62035-81360 | *SPRING              | 1    |
| 13      | 62035-81410 | *DIAPHRAGM           | 1    |
| 14      | 72920-81820 | *SPRING              | 1    |
| 15      | 20000-81310 | *SLOW STOP SCREW     | 1    |
| 16      | 20011-81360 | *SPRING              | 1    |
| 17      | 20070-81350 | *MAIN ADJUST SCREW   | 1    |
| 18      | 20019-81660 | *GASKET              | 1    |
| 19      | 20019-81610 | *PUMP PLATE          | 1    |
| 20      | 20019-81620 | *DIAPHRAGM PUMP      | 1    |
| 21      | 20019-81630 | *GASKET              | 1    |
| 22      | 62035-81370 | *GASKET              | 1    |
| 23      | 62035-81380 | *SCREW               | 4    |
| 24      | 20000-81540 | *SCREW               | 4    |
| 25      | 20011-81451 | *LEVER               | 1    |
| 26      | 20011-81470 | *SCREW               | 2    |
| 27      | 20011-81460 | *PIN                 | 1    |
| 28      | 20019-81440 | *NEEDLE VALVE        | 1    |
| 29      | 20040-81430 | *SPRING              | 1    |
| 30      | 70210-81440 | *PACKING             | 1    |

| Ref. No | Part No.    | Part Name          | Q'ty |
|---------|-------------|--------------------|------|
| 31      | 70210-81451 | *PLATE             | 1    |
| 32      | 20087-81820 | *PUMP              | 1    |
| 33      | 20019-81670 | *COVER DIAPHRAGM   | 1    |
| 34      | 20000-81340 | *SPRING            | 1    |
| 35      | 20000-81330 | *SLOW AIR SCREW    | 1    |
| 36      | 62035-81420 | *NEEDLE JET        | 1    |
| 37      | 70210-81420 | *HOLDER            | 1    |
| 38      | 68501-81480 | *SCREEN            | 1    |
| 39      | 62035-81390 | PUMP PLATE         | 1    |
| 40      | 62035-83111 | THROTTLE CABLE     | 1    |
| 41      | 62035-83311 | TUBE               | 1    |
| 42      | 14352-13100 | LEAD WIRE          | 1    |
| 43      | 14350-13000 | LEAD WIRE          | 1    |
| 44      | 72550-82120 | CONNECTOR          | 1    |
| 45      | 20037-82130 | SLEEVE             | 1    |
| 46      | 15210-12303 | BAND               | 2    |
| 47      | 62035-82011 | CLEANER BODY COMP  | 1    |
| 48      | 62035-82362 | INSULATOR          | 1    |
| 49      | 11022-05400 | BOLT SW            | 1    |
| 50      | 62035-82121 | FILTER             | 1    |
| 51      | 62035-82330 | GASKET             | 1    |
| 52      | 62035-82340 | BACKPLATE          | 1    |
| 53      | 11020-05750 | BOLT SW            | 2    |
| 54      | 01600-05131 | SPRING WASHER      | 2    |
| 55      | 62036-82040 | CLEANER COVER COMP | 1    |
| 56      | 62036-82130 | *CLEANER COVER     | 1    |
| 57      | 20870-33120 | *KNOB              | 1    |
| 58      | 62035-82350 | *WASHER            | 1    |
| 59      | 62035-81310 | GASKET             | 1    |
| 61      | 60035-98070 | PREFILTER          | 1    |

## RECOIL STARTER / STARTER PULLEY

ILLUSTRATION 5 - REV 11/02



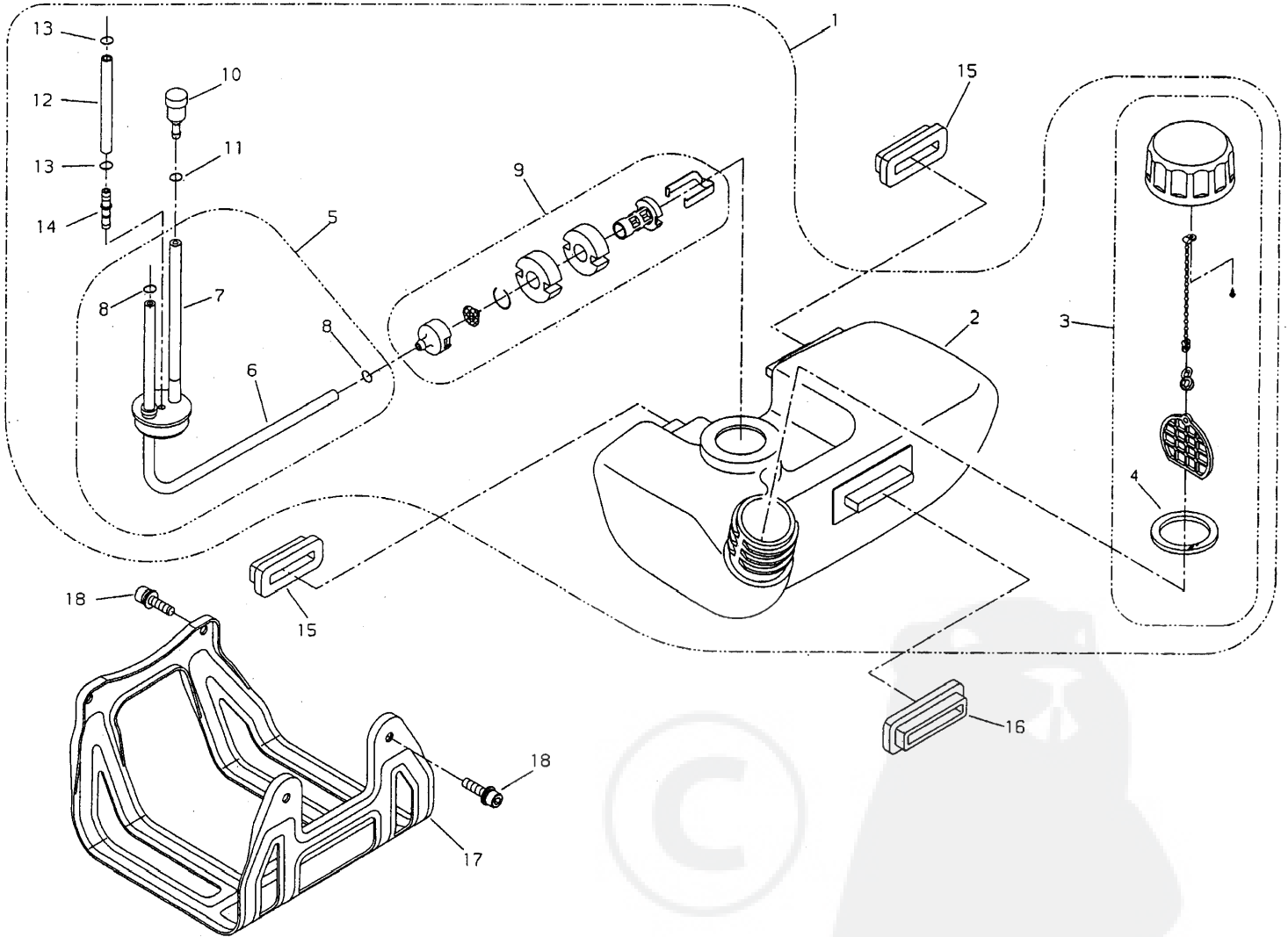
| Ref. No | Part No.    | Part Name               | Q'ty |
|---------|-------------|-------------------------|------|
| 5- 1    | 62035-75010 | RECOIL STARTER ASSEMBLY | 1    |
| 2       | 62035-75110 | *RECOIL CASE            | 1    |
| 19      | 62035-75320 | **RECOIL CASE           | 1    |
| 20      | 62035-75310 | **GUIDE                 | 1    |
| 3       | 62035-75120 | *REEL                   | 1    |
| 4       | 62035-75130 | *RECOIL SPRING          | 1    |
| 5       | 62035-75140 | *ROPE                   | 1    |
| 6       | 22104-75420 | *KNOB RECOIL            | 1    |
| 7       | 20010-75210 | *STOPPER                | 1    |
| 8       | 20035-75170 | *SCREW                  | 1    |

| Ref. No | Part No.    | Part Name               | Q'ty |
|---------|-------------|-------------------------|------|
| 9       | 20024-75140 | *WASHER                 | 1    |
| 10      | 19420-00027 | LABEL TRADE             | 1    |
| 11      | 62035-75020 | STARTER PULLEY ASSEMBLY | 1    |
| 12      | 62035-75210 | *STARTER PULLEY         | 1    |
| 13      | 62035-75220 | *RATCHET                | 1    |
| 14      | 20024-75230 | *RETURN SPRING          | 1    |
| 15      | 20024-75240 | *E-RING                 | 1    |
| 16      | 62035-75331 | GASKET                  | 1    |
| 17      | 11022-05250 | BOLT SPW                | 4    |
| 18      | 62035-75340 | NUT                     | 1    |



FUEL TANK

ILLUSTRATION 7 - REV 11/02



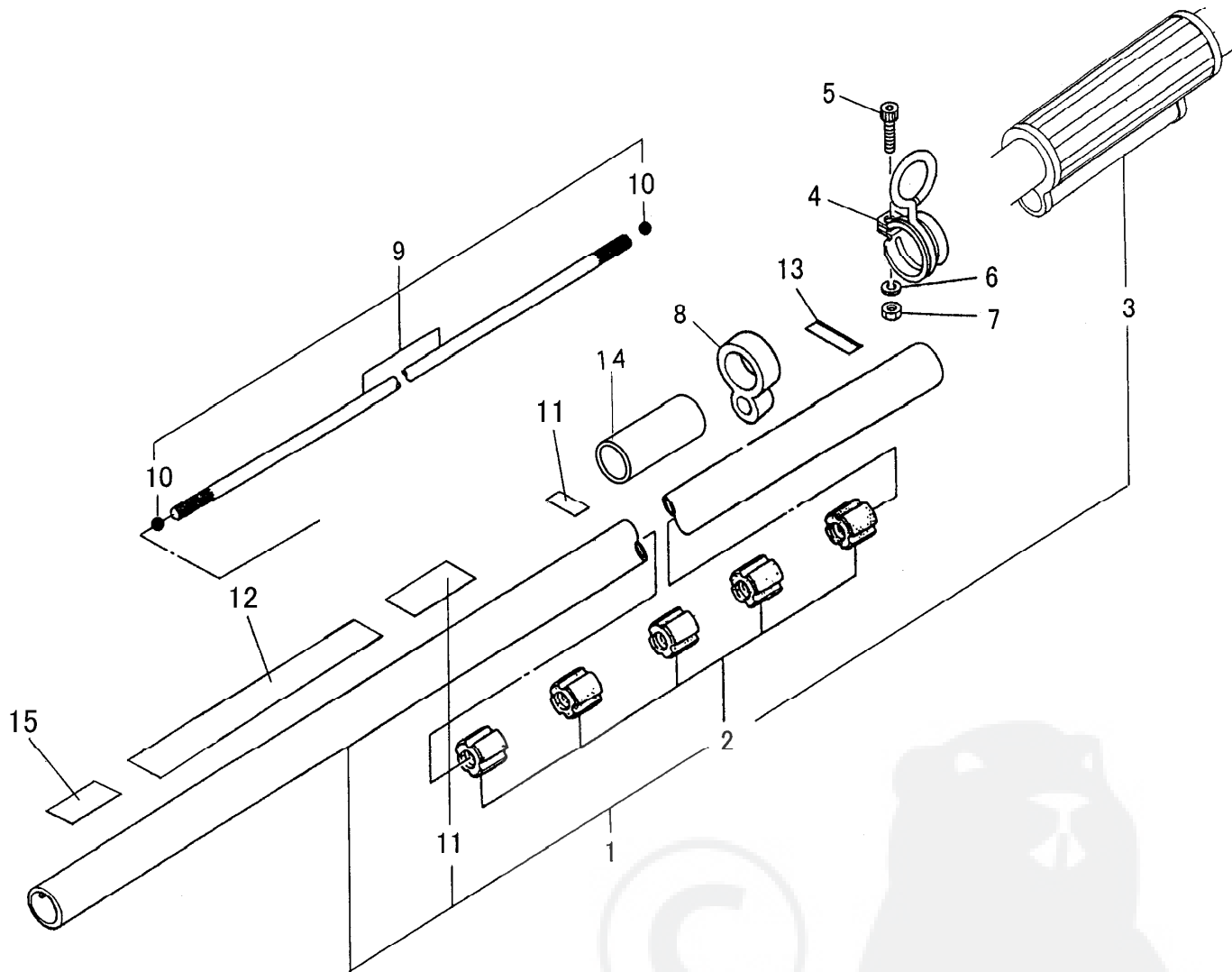
| Ref. No | Part No.    | Part Name                 | Q'ty |
|---------|-------------|---------------------------|------|
| 7-1     | 62035-85011 | FUEL TANK ASSEMBLY        | 1    |
| 2       | 62035-85110 | *FUEL TANK                | 1    |
| 3       | 70168-85201 | *FUEL CAP ASSEMBLY        | 1    |
| 4       | 20000-85221 | **GASKET                  | 1    |
| 5       | 62035-85030 | *FUEL PIPE ASSEMBLY       | 1    |
| 6       | 62035-85310 | **FUEL PIPE               | 1    |
| 7       | 62035-85320 | **GROMMET                 | 1    |
| 8       | 20020-85540 | **CLIP                    | 2    |
| 9       | 22169-35400 | *FUEL FILTER SUB ASSEMBLY | 1    |

| Ref. No | Part No.    | Part Name    | Q'ty |
|---------|-------------|--------------|------|
| 10      | 22197-33960 | *VALVE       | 1    |
| 11      | 20020-85540 | *CLIP        | 1    |
| 12      | 20140-83311 | *PIPE        | 1    |
| 13      | 20020-85540 | *CLIP        | 2    |
| 14      | 72933-85620 | *JOINT       | 1    |
| 15      | 62035-85340 | TANK CUSHION | 2    |
| 16      | 62035-85350 | TANK CUSHION | 1    |
| 17      | 62035-85360 | TANK GUARD   | 1    |
| 18      | 11022-05160 | BOLT SPW     | 4    |

\* Denotes item is part of an assembly \*\* Denotes item is part of a sub-assembly

## OUTER PIPE / MAINSHAFT

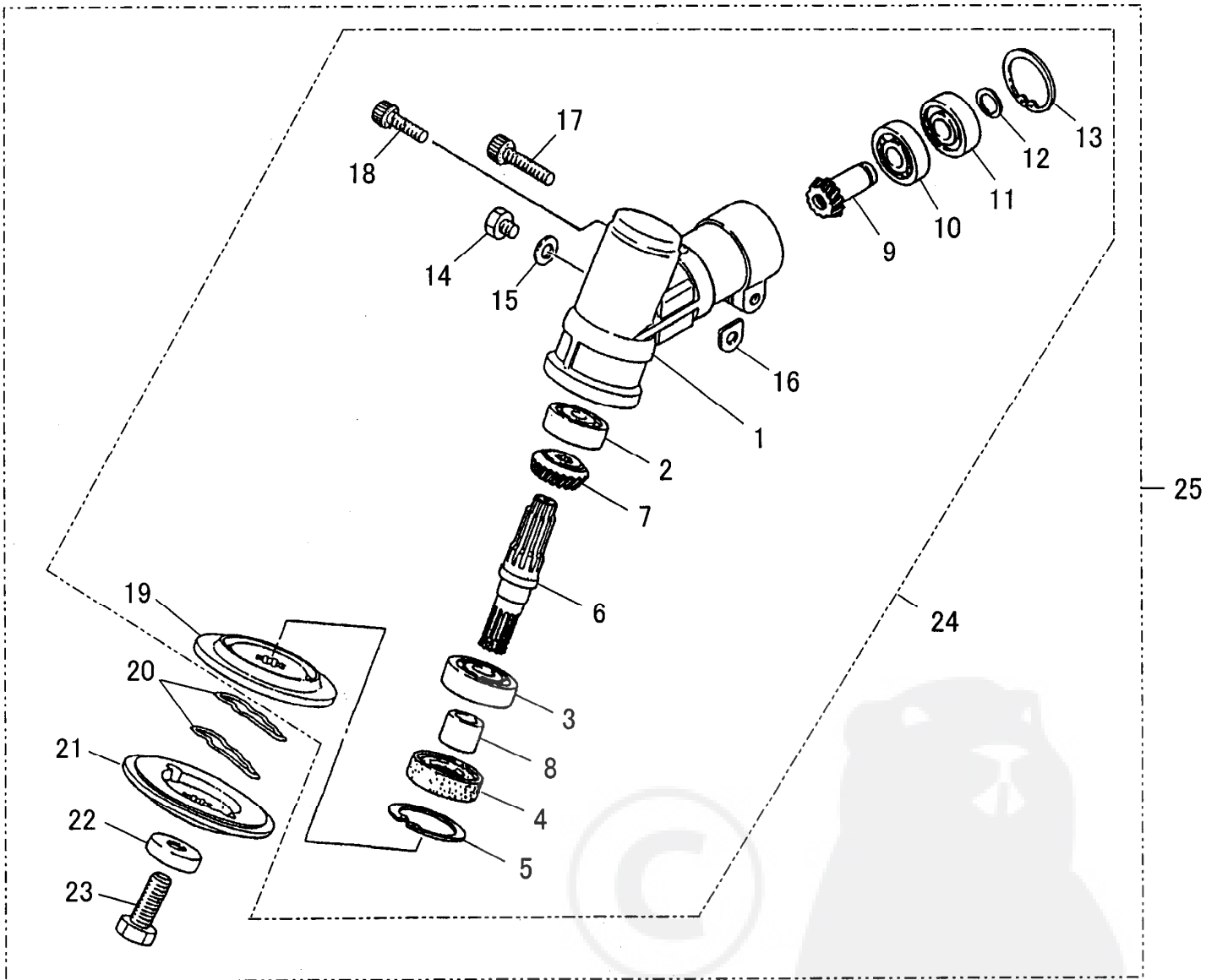
ILLUSTRATION 8 - REV 11/02



| Ref. No | Part No.    | Part Name               | Q'ty |
|---------|-------------|-------------------------|------|
| 8-1     | 63019-12102 | OUTER PIPE SUB ASSEMBLY | 1    |
| 2       | 63019-62120 | *BUSHING                | 5    |
| 3       | 63019-62313 | *PROTECTOR              | 1    |
| 11      | 72017-12150 | *HANDLE LABEL           | 1    |
| 4       | 22017-12210 | HANGER                  | 1    |
| 5       | 01020-05120 | BOLT                    | 1    |
| 6       | 01600-05130 | SPRING WASHER           | 1    |
| 7       | 01500-05041 | NUT                     | 1    |
| 8       | 72447-12190 | BAND                    | 1    |
| 9       | 72550-12400 | MAINSHAFT SUB ASSEMBLY  | 1    |
| 10      | 22021-12420 | *STOPPER                | 2    |
| 12      | 19422-00010 | LABEL CAUTION           | 1    |
| 13      | 72005-12140 | CAUTION PLATE           | 1    |
| 14      | 63019-62320 | PROTECTOR               | 1    |
| 15      | 19402-00223 | LABEL CAUTION           | 1    |

GEARCASE

ILLUSTRATION 9 - REV 11/02



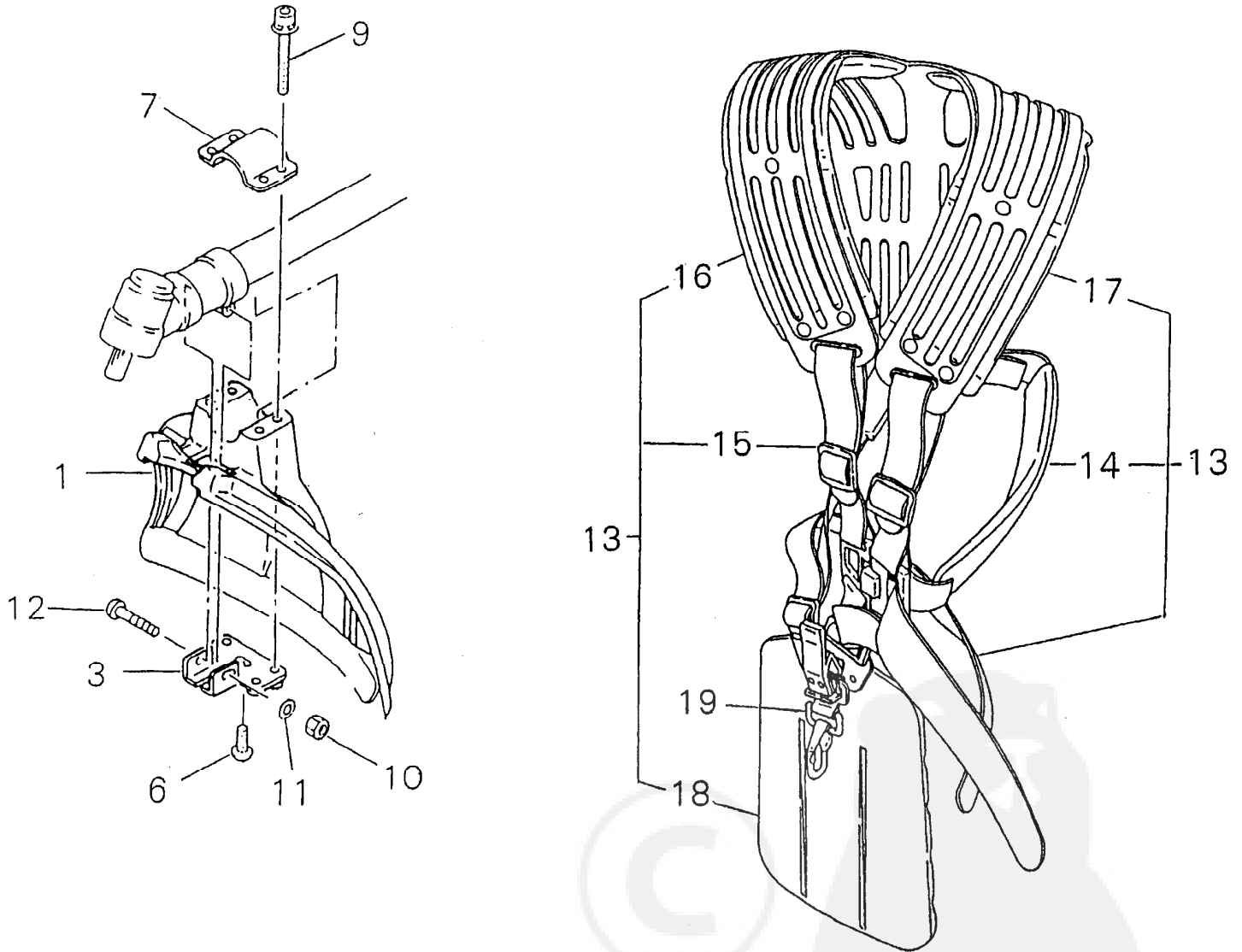
| Ref. No | Part No.    | Part Name              | Q'ty |
|---------|-------------|------------------------|------|
| 9-25    | 63020-63010 | GEARCASE ASSEMBLY      | 1    |
| 24      | 63019-63020 | *GEARCASE SUB ASSEMBLY | 1    |
| 1       | 72017-13111 | **GEARCASE             | 1    |
| 2       | 02006-06000 | **BEARING              | 1    |
| 3       | 02000-06202 | **BEARING              | 1    |
| 4       | 22015-13120 | **OIL SEAL             | 1    |
| 5       | 02432-35150 | **SNAP RING            | 1    |
| 6       | 63019-63130 | **GEARSHAFT            | 1    |
| 7       | 22015-13220 | **BEVEL GEAR           | 1    |
| 8       | 22015-13230 | **COLLAR               | 1    |
| 9       | 22021-13390 | **PINION SET           | 1    |
| 10      | 02000-06001 | **BEARING              | 1    |

| Ref. No | Part No.    | Part Name   | Q'ty |
|---------|-------------|-------------|------|
| 11      | 02002-06001 | **BEARING   | 1    |
| 12      | 20000-31140 | **SNAP RING | 1    |
| 13      | 02432-28120 | **SNAP RING | 1    |
| 14      | 22015-13410 | **BOLT      | 1    |
| 15      | 22015-13420 | **GASKET    | 1    |
| 16      | 22011-13450 | **SHIM      | 1    |
| 17      | 11022-06280 | **BOLT SPW  | 1    |
| 18      | 11022-06140 | **BOLT SPW  | 1    |
| 19      | 22015-13241 | **HOLDER A  | 1    |
| 20      | 22015-13290 | *SLIDE PIN  | 2    |
| 21      | 63020-63170 | *HOLDER     | 1    |
| 22      | 22015-13270 | *BOLT GUARD | 1    |
| 23      | 63019-63310 | *BOLT       | 1    |

\* Denotes item is part of an assembly \*\* Denotes item is part of a sub-assembly

## GUARD / HARNESS

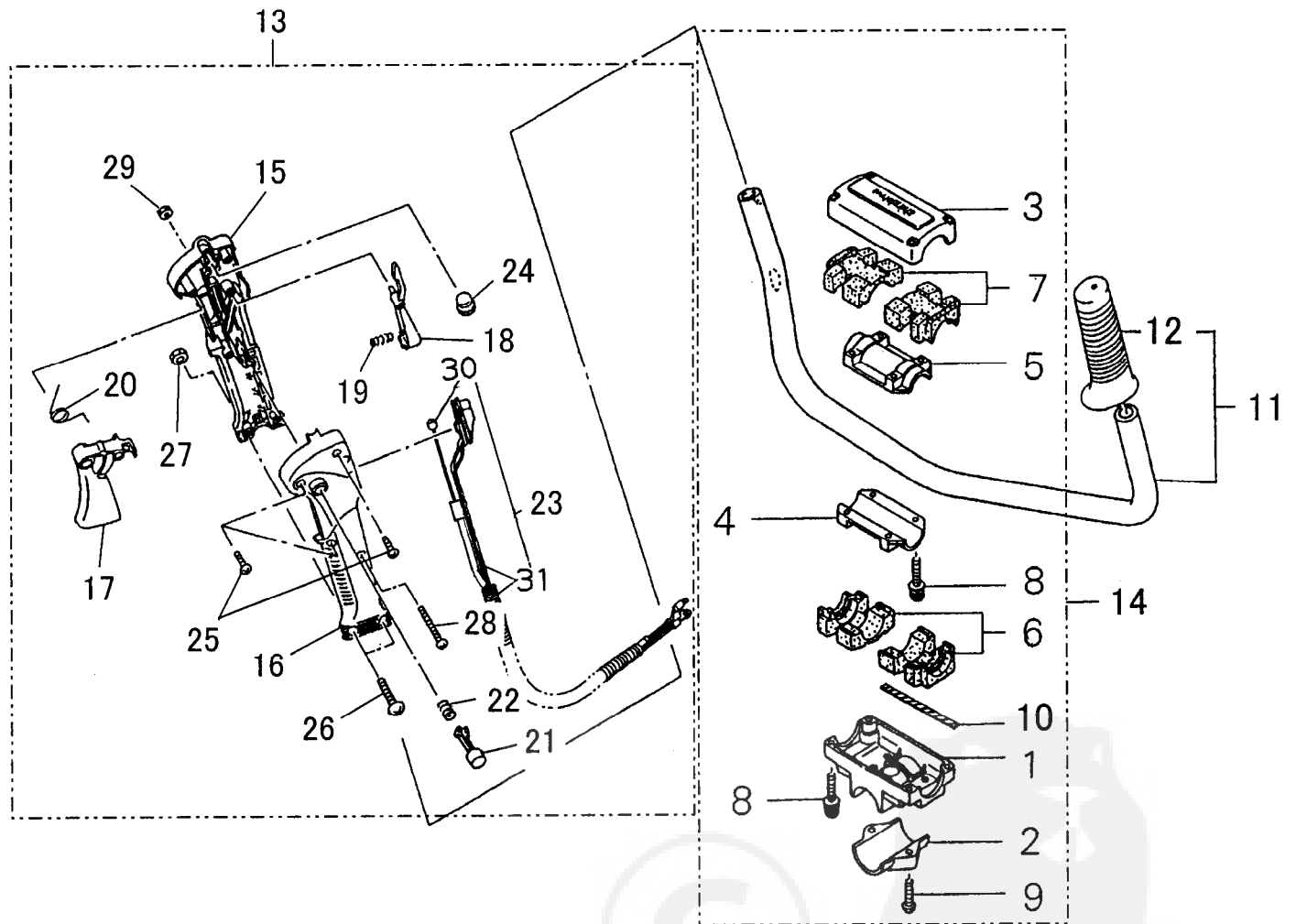
ILLUSTRATION 11 - REV 11/02



| Ref. No | Part No.    | Part Name         | Q'ty |
|---------|-------------|-------------------|------|
| 11-1    | 72480-16113 | GUARD             | 1    |
| 3       | 72017-16130 | LOWER CLAMP       | 1    |
| 6       | 11202-40100 | SCREW HILO 4 X 10 | 1    |
| 7       | 72480-16210 | UPPER CLAMP       | 1    |
| 9       | 11022-05450 | BOLT SPW          | 4    |
| 10      | 01500-06051 | NUT               | 1    |
| 11      | 01613-06100 | WASHER            | 1    |
| 12      | 11022-06400 | BOLT SPW          | 1    |
| 13      | 64007-67010 | HARNESS ASSEMBLY  | 1    |
| 14      | 22007-17220 | *PROTECTOR        | 1    |
| 15      | 72451-17230 | *BUCKLE           | 4    |
| 16      | 64007-67320 | *PAD RIGHT        | 1    |
| 17      | 64007-67310 | *PAD LEFT         | 1    |
| 18      | 72451-17262 | *PAD              | 1    |
| 19      | 72451-17271 | *HOOK             | 1    |

THROTTLE LEVER / HANDLE

ILLUSTRATION 12 - REV 11/02



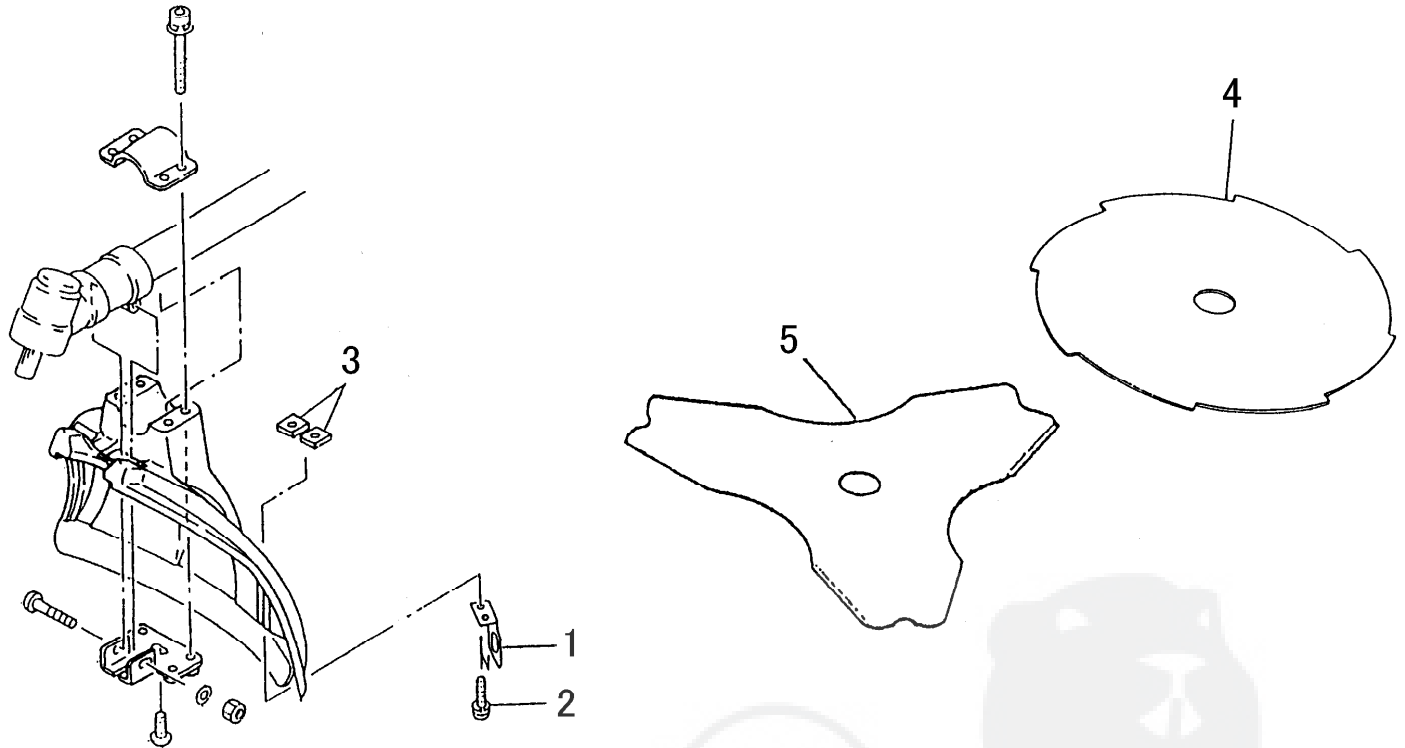
| Ref. No | Part No.    | Part Name               | Q'ty |
|---------|-------------|-------------------------|------|
| 12-14   | 72514-14100 | BRACKET SUB ASSEMBLY    | 1    |
| 1       | 72017-14110 | *HANDLE BRACKET         | 1    |
| 2       | 72017-14120 | *LOWER CAP              | 1    |
| 3       | 72017-14130 | *UPPER CAP              | 1    |
| 4       | 22015-14140 | *LOWER CLAMP            | 1    |
| 5       | 22015-14150 | *UPPER CLAMP            | 1    |
| 6       | 22015-14160 | *LOWER CUSHION          | 2    |
| 7       | 22015-14170 | *UPPER CUSHION          | 2    |
| 8       | 11022-05250 | *BOLT SPW               | 8    |
| 9       | 11210-06250 | *SCREW BUTTON           | 2    |
| 10      | 72514-14190 | *EARTH CORD             | 1    |
| 11      | 72550-14200 | HANDLE SUB ASSEMBLY     | 1    |
| 12      | 72451-14320 | *GRIP                   | 1    |
| 13      | 64007-64251 | THROTTLE LEVER ASSEMBLY | 1    |
| 15      | 72550-14510 | *BODY RIGHT             | 1    |

| Ref. No | Part No.    | Part Name        | Q'ty |
|---------|-------------|------------------|------|
| 16      | 72550-14520 | *BODY LEFT       | 1    |
| 17      | 70871-65130 | *LEVER           | 1    |
| 18      | 70871-65140 | *LOCK LEVER      | 1    |
| 19      | 70871-65150 | *COIL SPRING     | 1    |
| 20      | 70871-65160 | *COIL SPRING     | 1    |
| 21      | 70871-65170 | *BUTTON          | 1    |
| 22      | 70871-65180 | *COIL SPRING     | 1    |
| 23      | 64007-64310 | *THROTTLE CABLE  | 1    |
| 30      | 64007-64320 | **THROTTLE CABLE | 1    |
| 31      | 64007-64330 | **SWITCH         | 1    |
| 24      | 22150-33630 | *PLUG            | 1    |
| 25      | 70871-65310 | *SCREW TAPPING   | 3    |
| 26      | 70871-65320 | *SCREW PM        | 2    |
| 27      | 01501-05030 | *NUT             | 2    |
| 28      | 70871-65330 | *SCREW           | 1    |
| 29      | 70871-65340 | *NUT             | 1    |

\* Denotes item is part of an assembly \*\* Denotes item is part of a sub-assembly

## CUTTER / SAWS

ILLUSTRATION 13 - REV 11/02

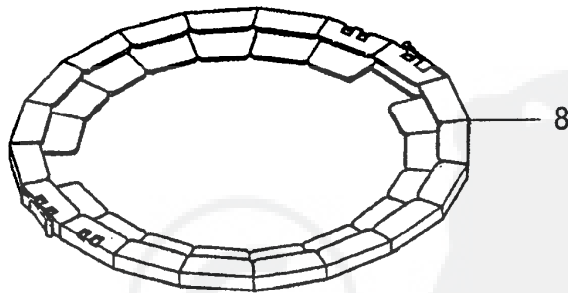
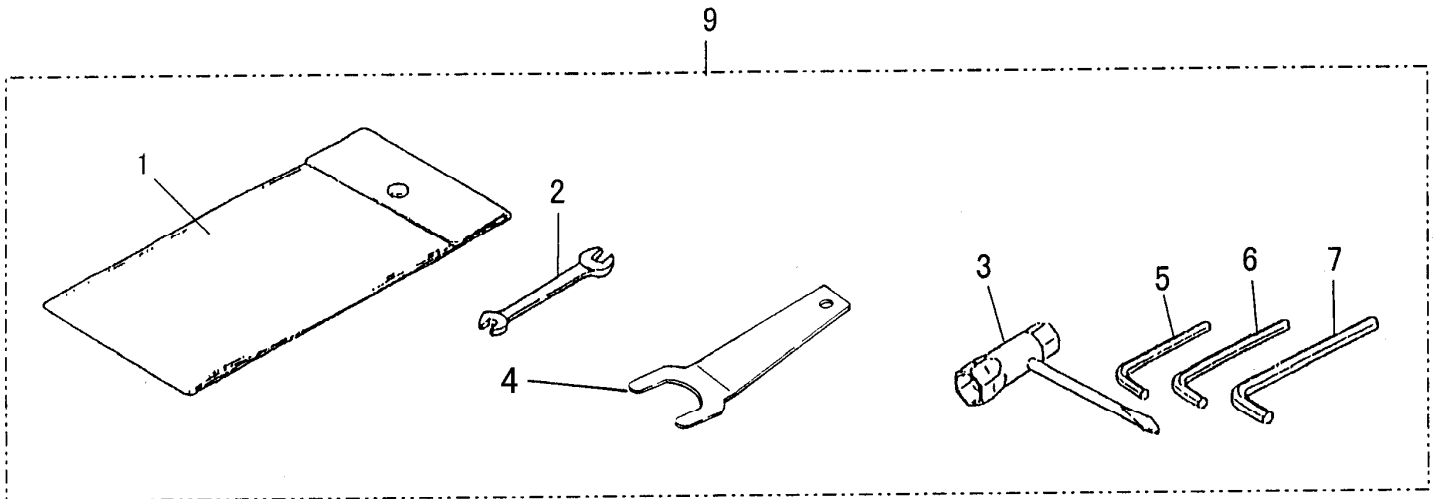


<OPTION>

| Ref. No | Part No.    | Part Name  | Q'ty |
|---------|-------------|------------|------|
| 13- 1   | 72480-16121 | CUTTER     | 1    |
| 2       | 22420-16120 | NUT        | 2    |
| 3       | 11020-05160 | BOLT SW    | 2    |
| 4       | 72430-92110 | EDDY SAW   | 1    |
| 5       | 72430-92140 | TRIPLE SAW | 1    |

TOOL SET / BLADE COVER

ILLUSTRATION 10 - REV 11/02



| Ref. No | Part No.    | Part Name       | Q'ty |
|---------|-------------|-----------------|------|
| 10-9    | 64008-92010 | TOOLSET         | 1    |
| 1       | 19610-02600 | *TOOLBAG        | 1    |
| 2       | 22000-91120 | *SPANNER        | 1    |
| 3       | 72518-91180 | *WRENCH 17 X 19 | 1    |
| 4       | 64008-92020 | *SPANNER 38     | 1    |
| 5       | 09026-03001 | *HEX A WRENCH   | 1    |
| 6       | 09026-04001 | *HEX A WRENCH   | 1    |
| 7       | 09026-05001 | *HEX A WRENCH   | 1    |
| 8       | 19601-00900 | BLADE COVER     | 3    |

\* Denotes item is part of an assembly \*\* Denotes item is part of a sub-assembly



**shindaiwa**

[www.shindaiwa.com](http://www.shindaiwa.com)

11975 SW Herman Road, Tualatin, Oregon 97062, U.S.A.

1 + 503.692.3070 • fax 1 + 503.692.6696 •

Item #xxxx Effective 11/02