

shindaiwa

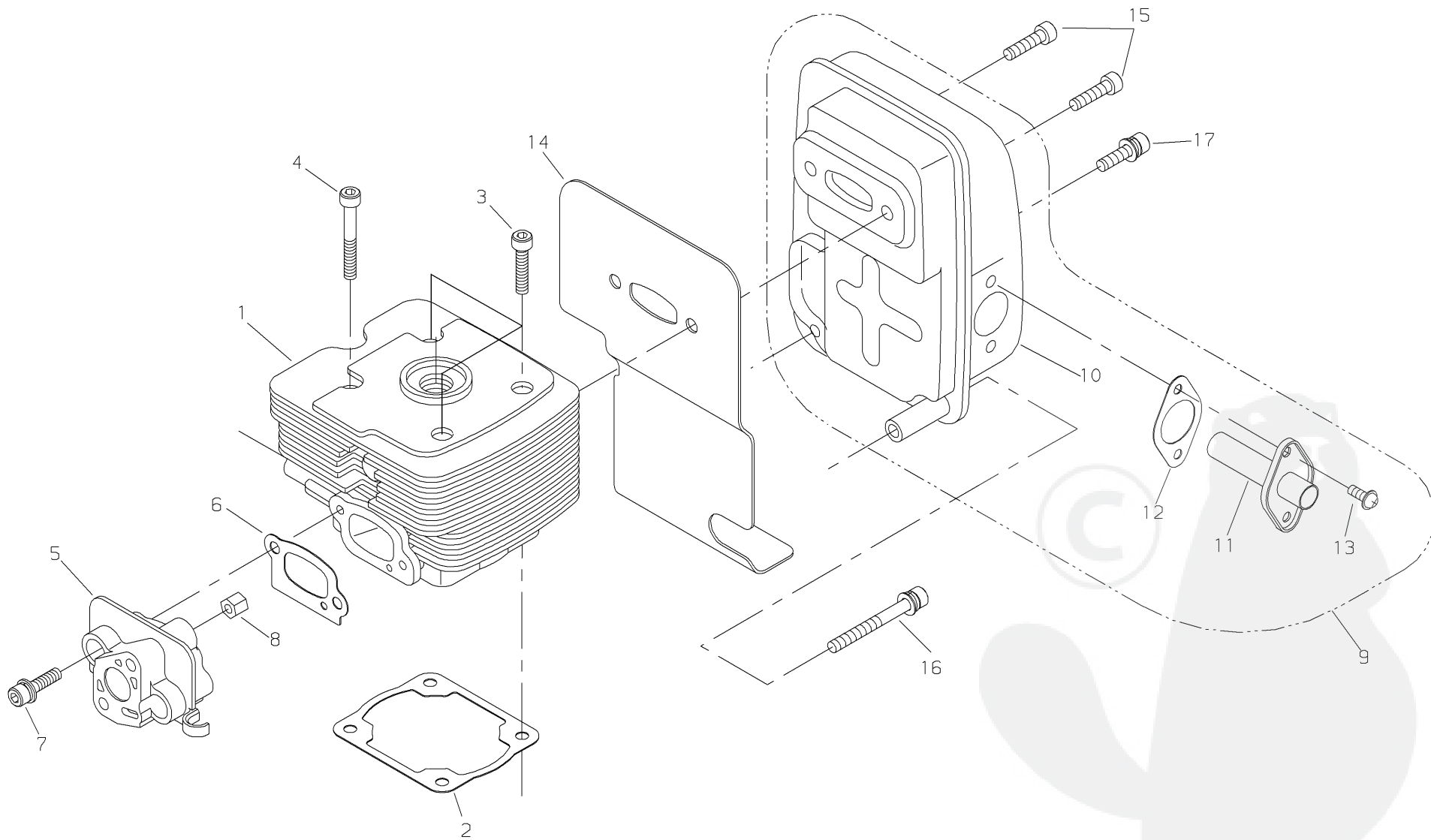
Illustrated Parts List

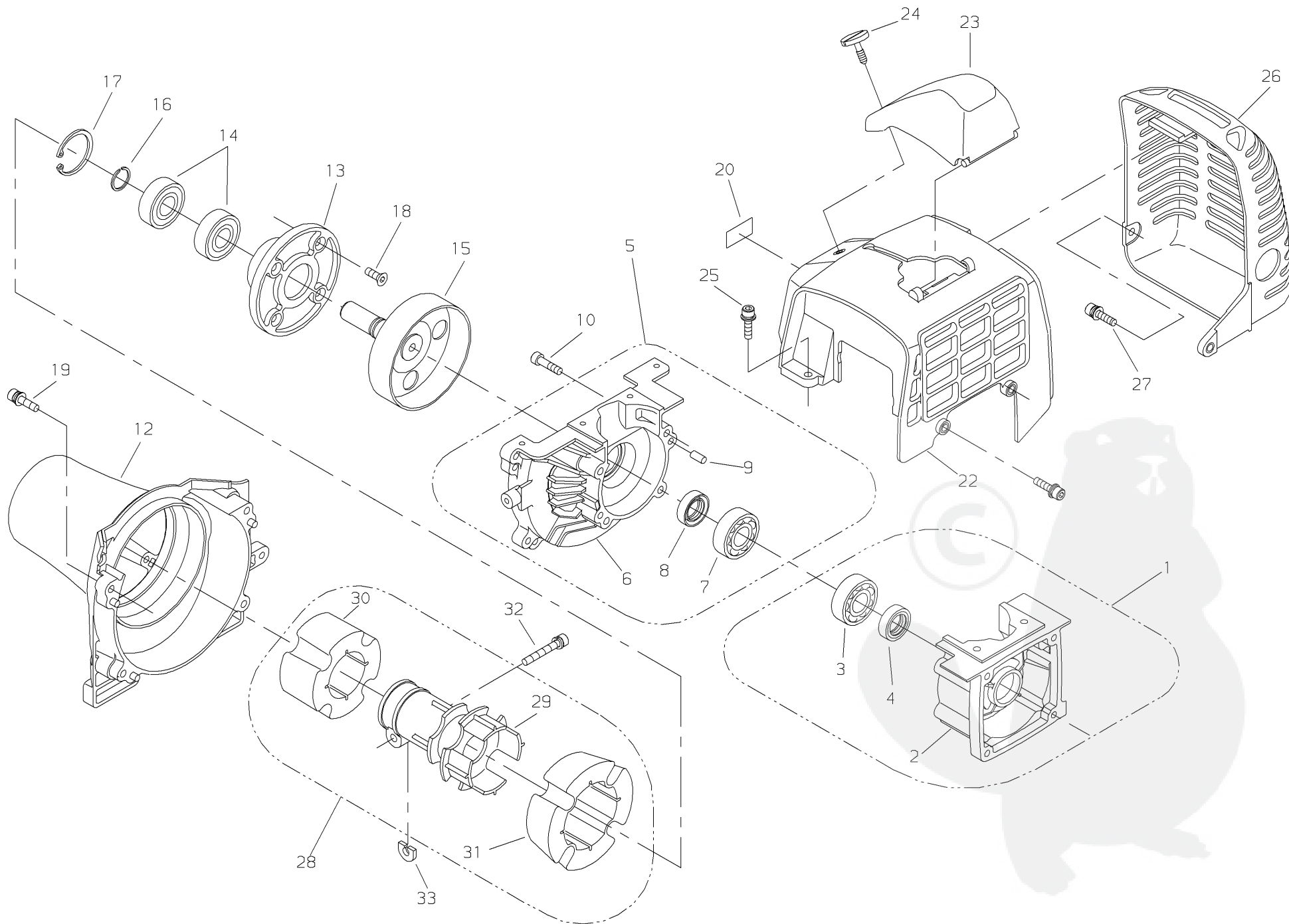
T530/EC1

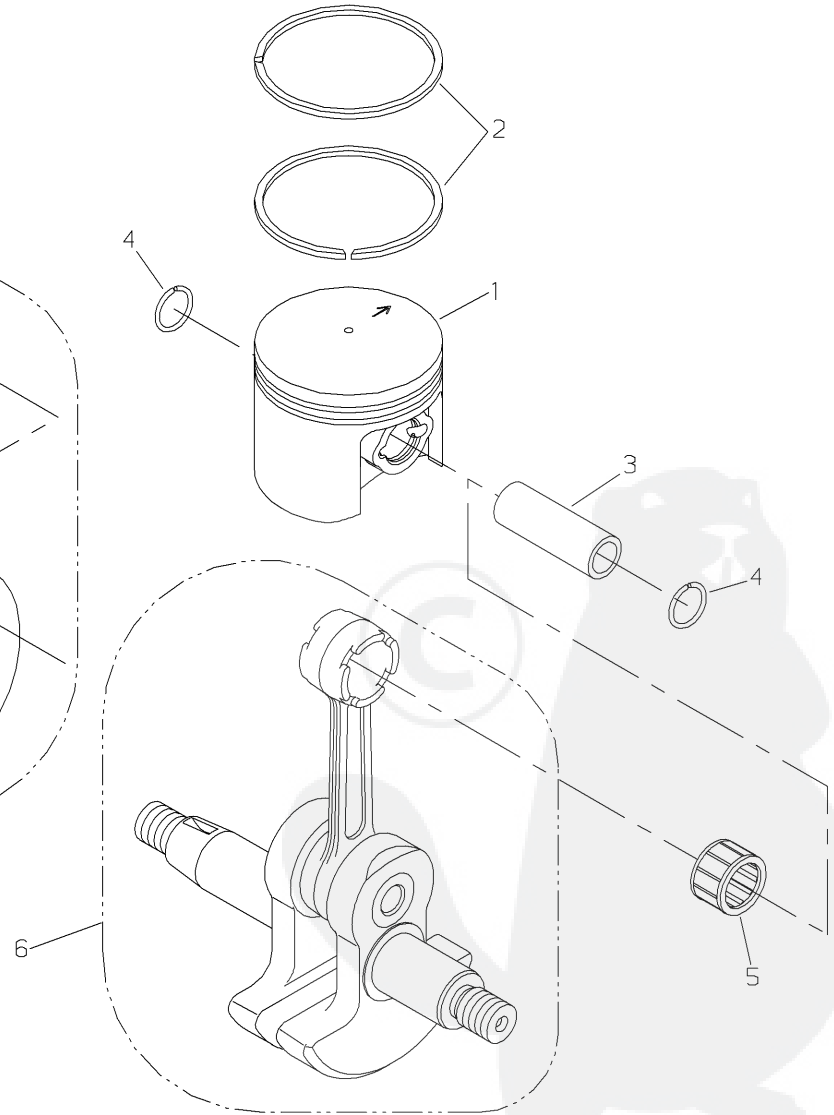
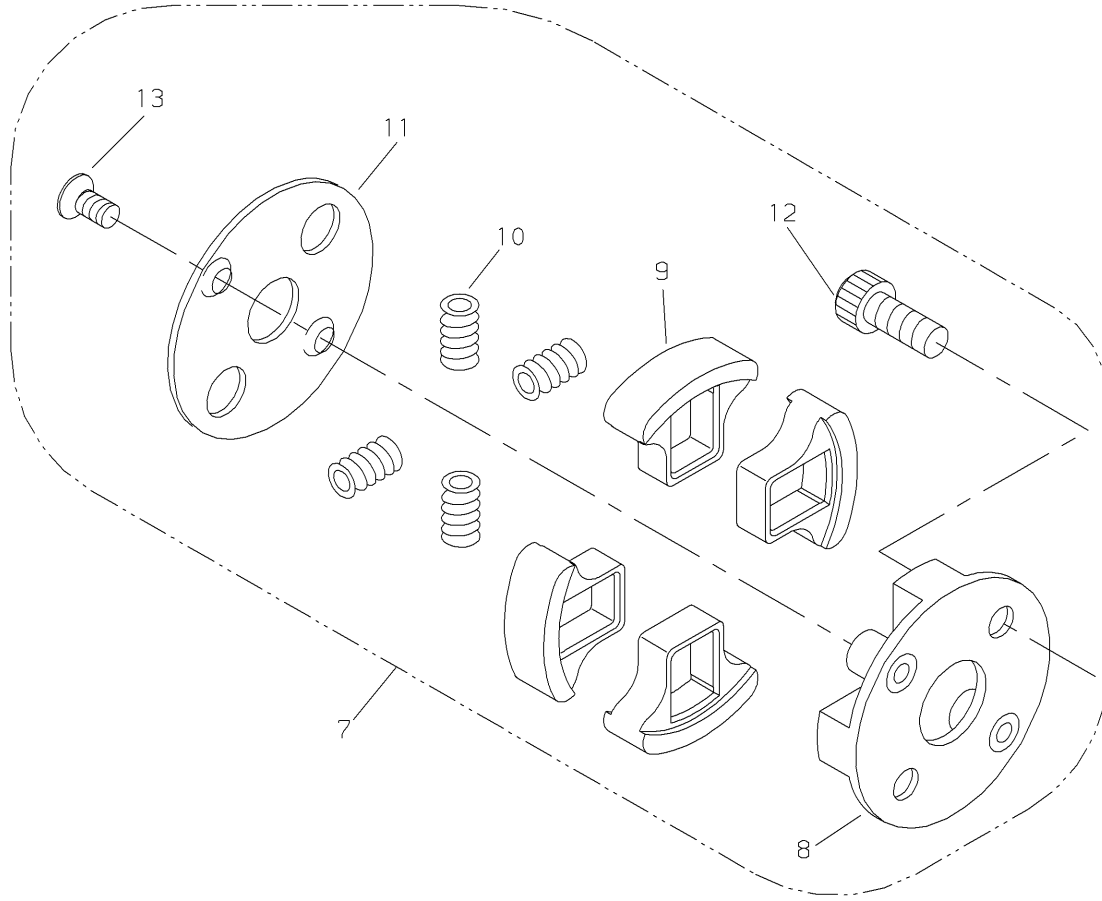


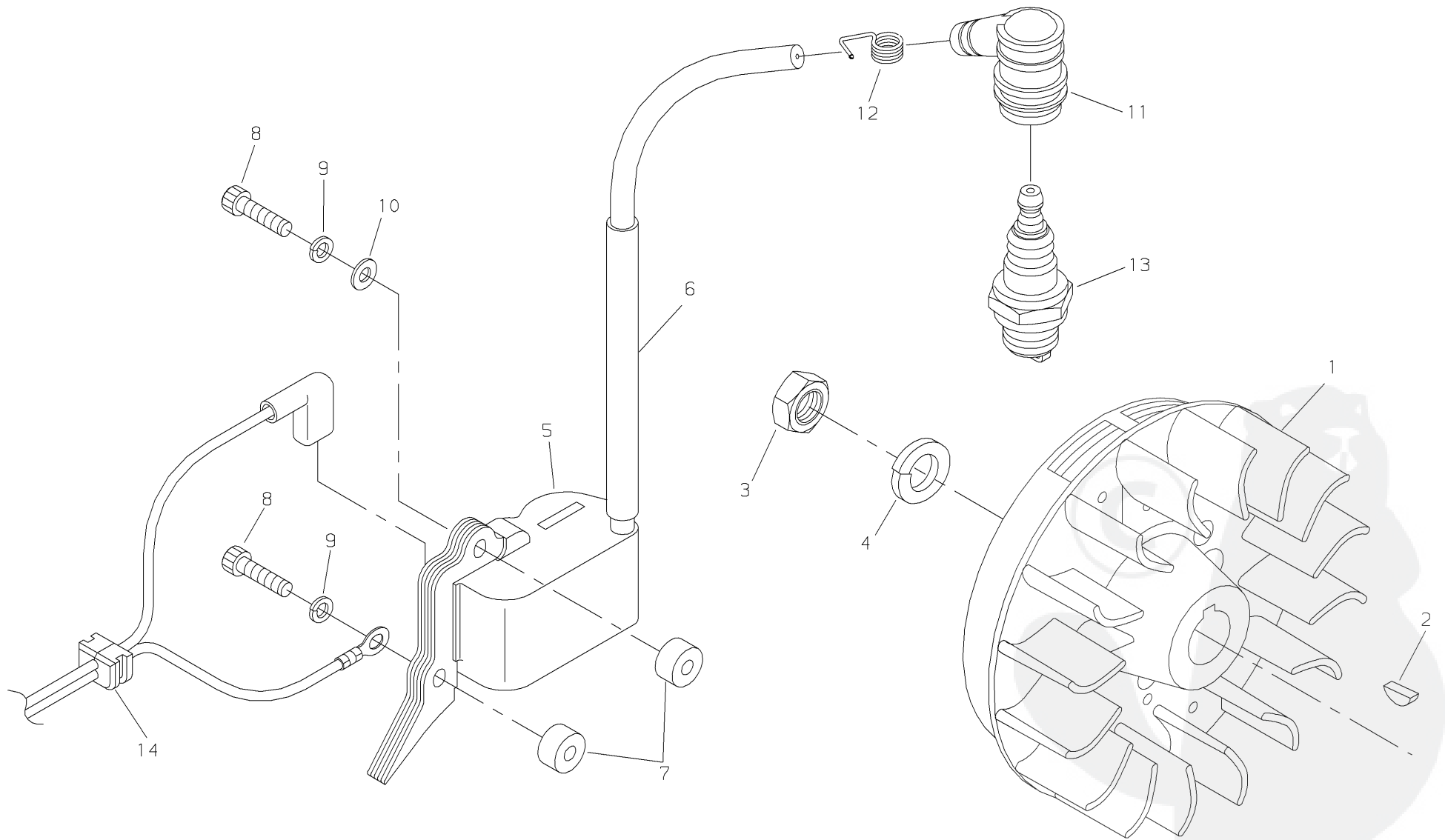
©
Shindaiwa, Inc.
11975 S.W. Herman Road
Tualatin, Oregon 97062
Telephone 503 692-3070
Fax 503 692-6696

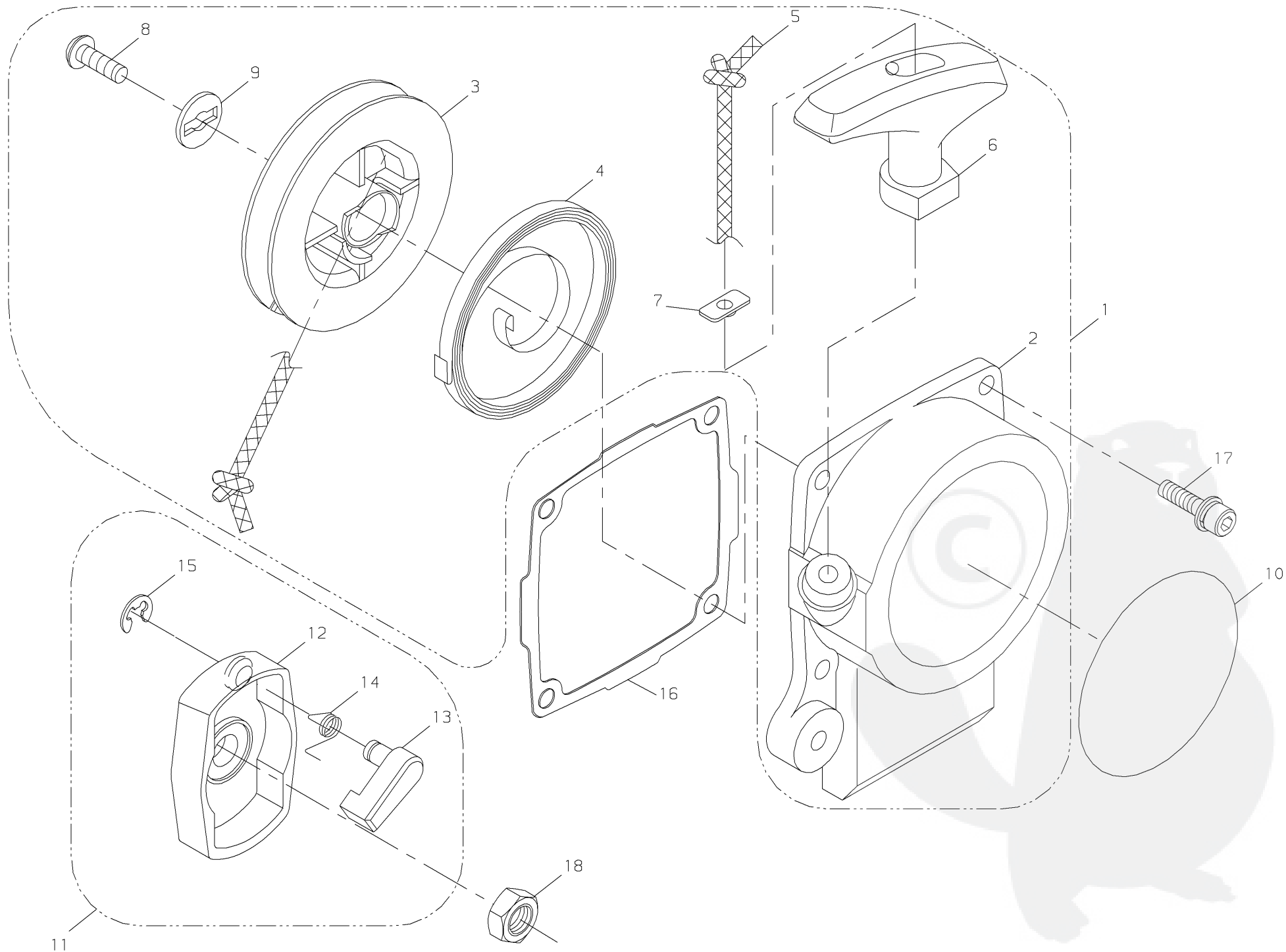
T530/EC1
REV July 19, 2005

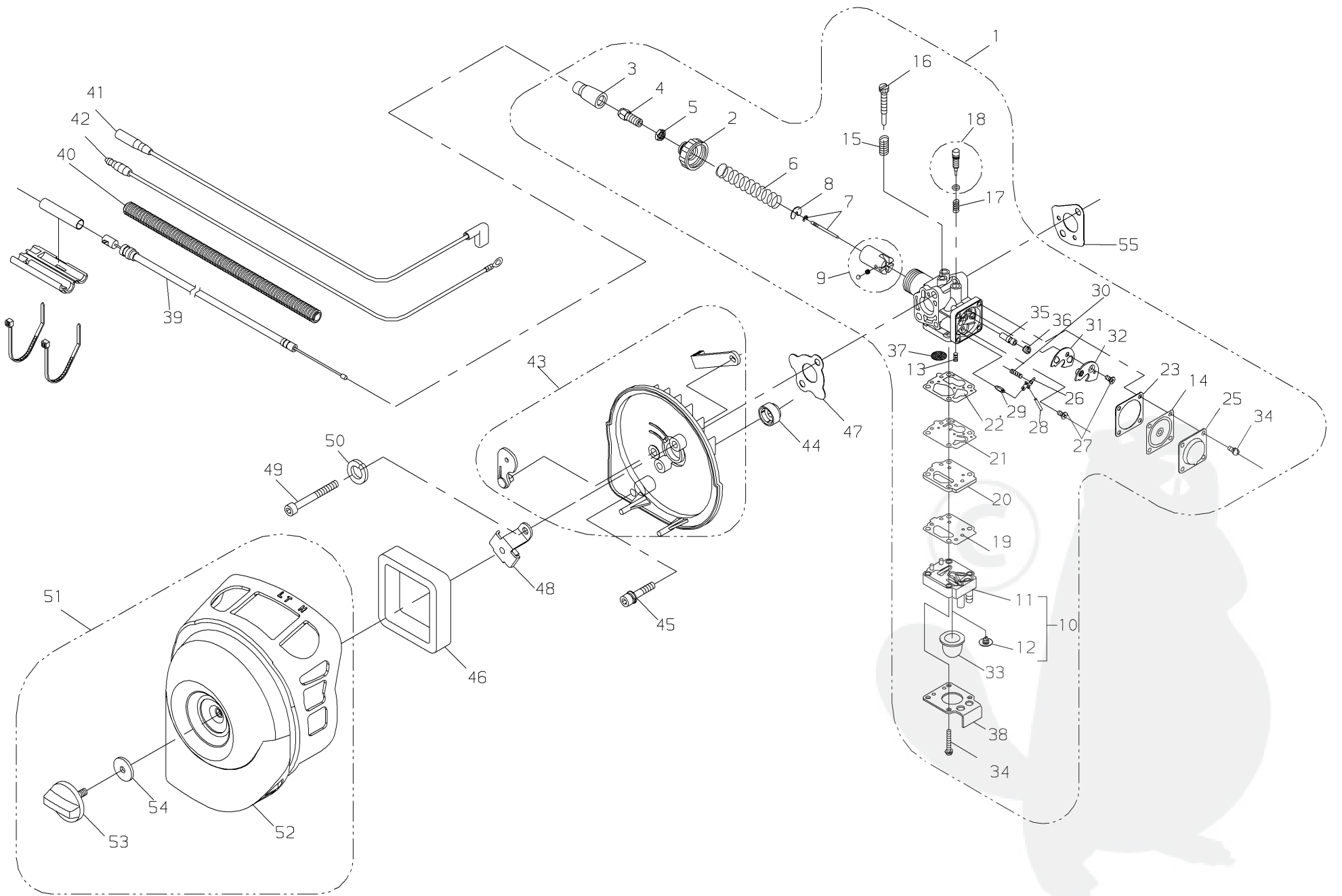




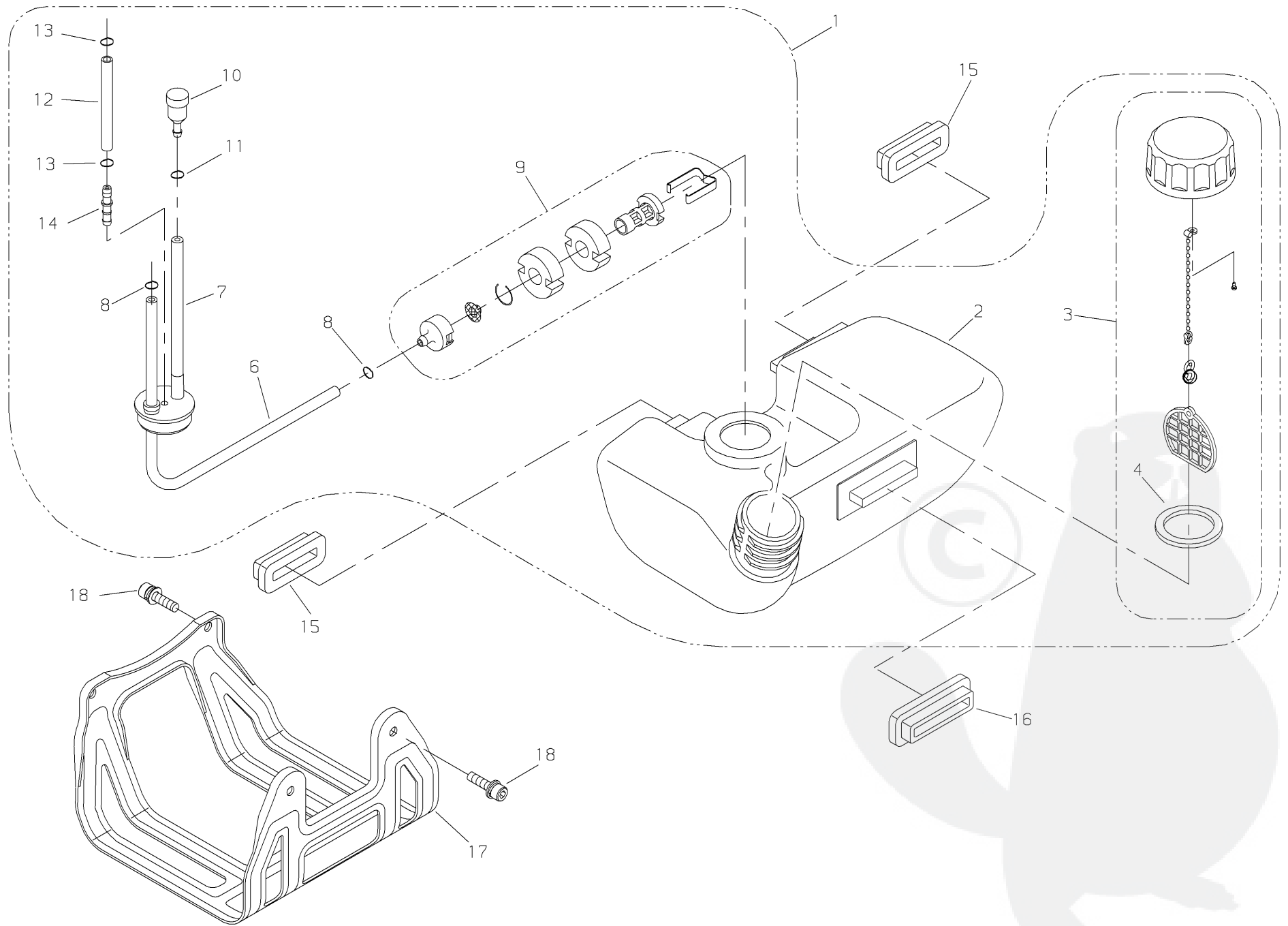




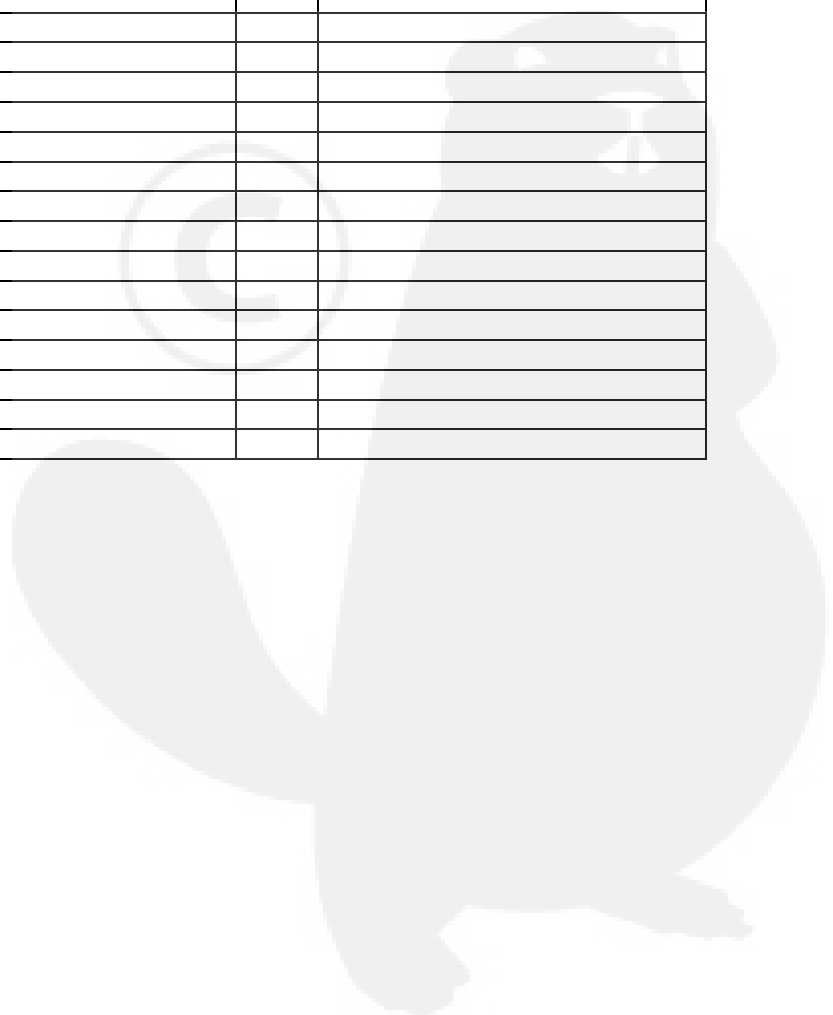


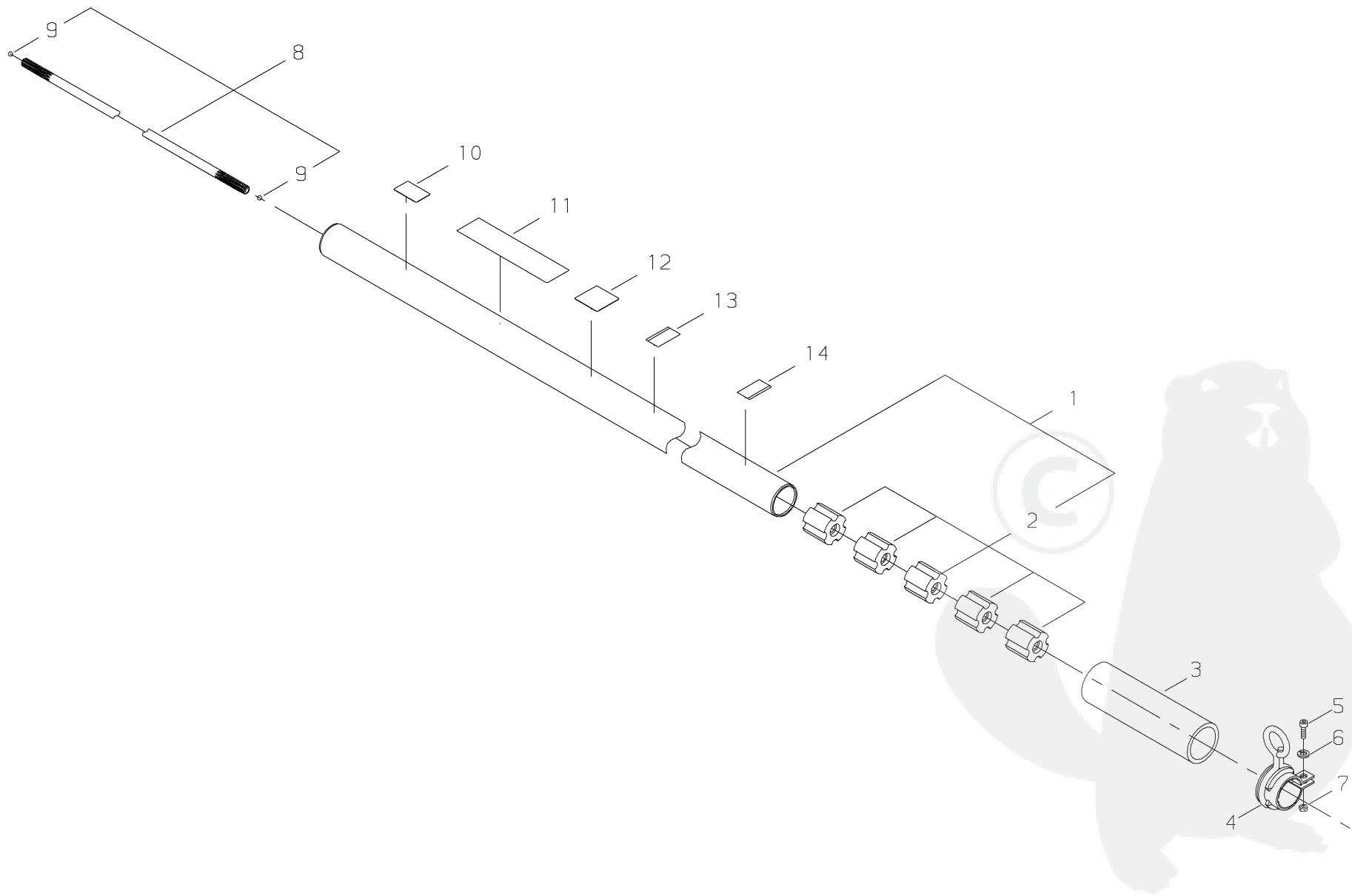


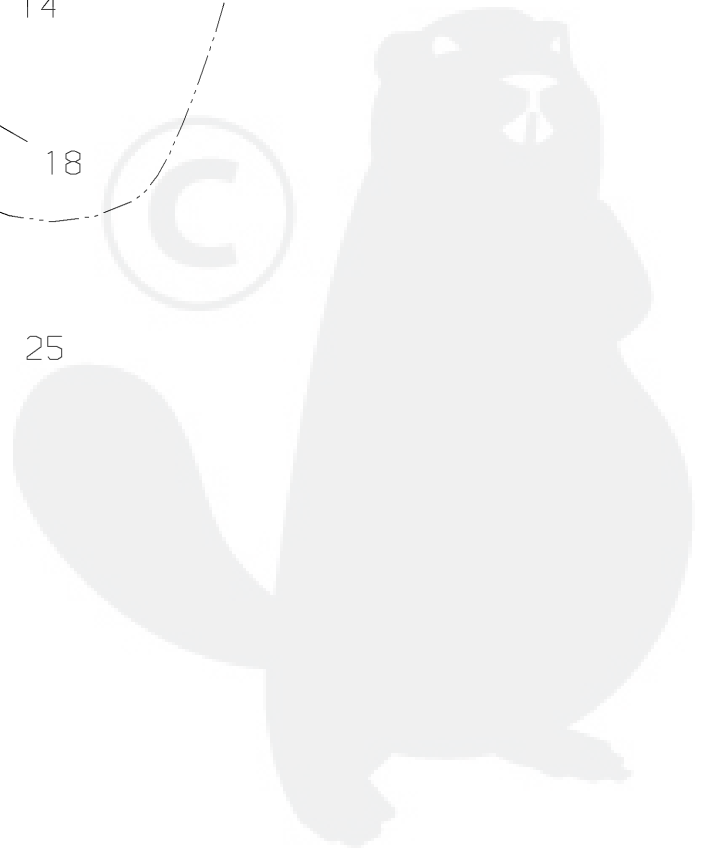
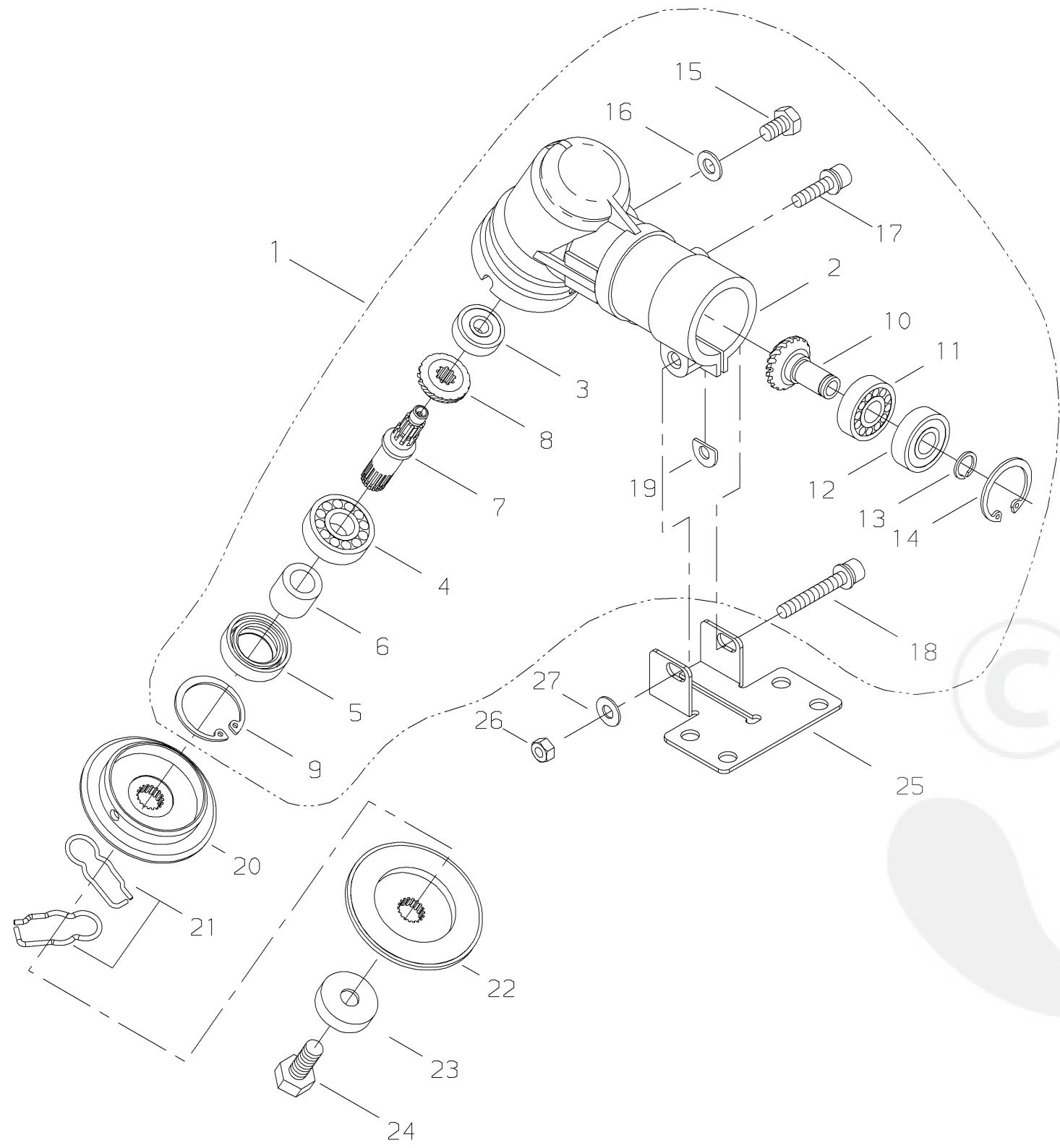
Ref. No	Part No.	Part Name	Qty	Remarks,Serial No.
6-1	62107-81010	CARBURETOR ASSY.	1	
2	62083-81310	*BODY CAP	1	
3	72920-81130	*ADJUSTER CAP	1	
4	20020-81110	*CABLE ADJUSTER	1	
5	20000-81260	*LOCK NUT	1	
6	20020-81140	*SPRING	1	
7	62107-81320	*JET NEEDLE	1	
8	20020-81150	*SPRING RECIEVE	1	
9	62035-81330	*THROTTLE VALVE	1	
10	62035-81340	*PUMP COVER ASSY.	1	
11	62035-81350	**PUMP COVER	1	
12	68501-81340	**VALVE	1	
13	62035-81360	*SPRING	1	
14	62035-81410	*DIAPHRAGM	1	
15	72920-81820	*SPRING	1	
16	20000-81310	*SLOW STOP SCREW	1	
17	20011-81360	*SPRING	1	
18	62107-81330	*MAIN ADJ. SCREW	1	
19	20019-81660	*GASKET	1	
20	20019-81610	*PUMP PLATE	1	
21	20019-81620	*DIAPHRAGM PUMP	1	
22	20019-81630	*GASKET	1	
23	62035-81370	*GASKET	1	
24	62035-81380	*SCREW	4	
25	20019-81670	*COVER DIAPHRAGM	1	
26	20011-81451	*LEVER	1	
27	20011-81470	*SCREW	2	
28	20011-81460	*PIN	1	
29	20019-81440	*NEEDLE VALVE	1	
30	20040-81430	*SPRING	1	
31	70210-81440	*PACKING	1	
32	70210-81451	*PLATE	1	
33	20087-81820	*PUMP	1	
34	20000-81540	*SCREW	1	
35	62035-81420	*NEEDLE JET	1	
36	70210-81420	*HOLDER	1	
37	68501-81480	*SCREEN	1	
38	62035-81390	*PUMP PLATE	1	
39	62060-83110	THROTTLE CABLE	1	
40	62060-83310	TUBE	1	
41	14352-11900	LEAD WIRE	1	
42	14350-11600	LEAD WIRE	1	
43	62035-82011	CLEANER BODY COMP	1	
44	62035-82362	INSULATOR	1	
45	11022-05400	BOLT SW	1	
46	62083-82120	FILTER	1	
47	62035-82330	GASKET	1	
48	62035-82340	BACK PLATE	1	
49	01020-05750	BOLT	2	
50	01600-05131	SPRING WASHER	2	
51	62083-82041	CLEANER COVER COMP.	1	
52	62083-82131	*CLEANER COVER	1	
53	20870-33120	*KNOB	1	
54	62035-82350	*WASHER	1	
55	62035-81310	GASKET	1	



Ref. No	Part No.	Part Name	Qty	Remarks,Serial No.
7- 1	62035-85013	FUEL TANK ASSY.	1	
2	62035-85111	*FUEL TANK	1	
3	70168-85201	*FUEL CAP ASSY.	1	
4	20000-85221	**GASKET	1	
6	62035-85310	*FUEL PIPE	1	
7	62035-85321	*GROMMET	1	
8	20020-85540	*CLIP	2	
9	22169-35400	*FUEL FILTER SUB ASSY.	1	
10	22197-33960	*VALVE	1	
11	20020-85540	*CLIP	1	
12	20112-85361	*PIPE	1	
13	20020-85540	*CLIP	2	
14	72933-85620	*JOINT	1	
15	62035-85341	TANK CUSHION	2	
16	62035-85351	TANK CUSHION	1	
17	62035-85360	TANK GUARD	1	
18	11022-05160	BOLT SPW	4	







Ref. No	Part No.	Part Name	Qty	Remarks,Serial No.
9- 1	63020-63020	GEARCASE SUB ASSY.	1	
2	63020-63110	*GEARCASE	1	
3	37004-63310	*BEARING	1	
4	02000-06202	*BEARING	1	
5	72447-13121	*OIL SEAL	1	
6	22015-13230	*COLLAR	1	
7	63019-63130	*GEAR SHAFT	1	
8	22015-13220	*BEVEL GEAR	1	
9	02432-35150	*SNAP RING	1	
10	22021-13390	*PINION SET	1	
11	37074-63310	*BEARING	1	
12	02002-06001	*BEARING	1	
13	20000-31140	*SNAP RING	1	
14	02432-28120	*SNAP RING	1	
15	22015-13410	*BOLT	1	
16	22015-13420	*GASKET	1	
17	11022-06140	*BOLT SPW	1	
18	11022-06400	*BOLT SPW	1	
19	22011-13450	*SHIM	1	
20	72447-13240	HOLDER A	1	
21	22015-13290	SLIDE PIN	2	
22	63020-63171	HOLDER B	1	
23	22015-13270	BOLT GUARD	1	
24	63019-63310	BOLT	1	
25	72017-16130	LOWER CLAMP	1	
26	01500-06051	NUT	1	
27	01613-06100	WASHER	1	

