

shindaiwa

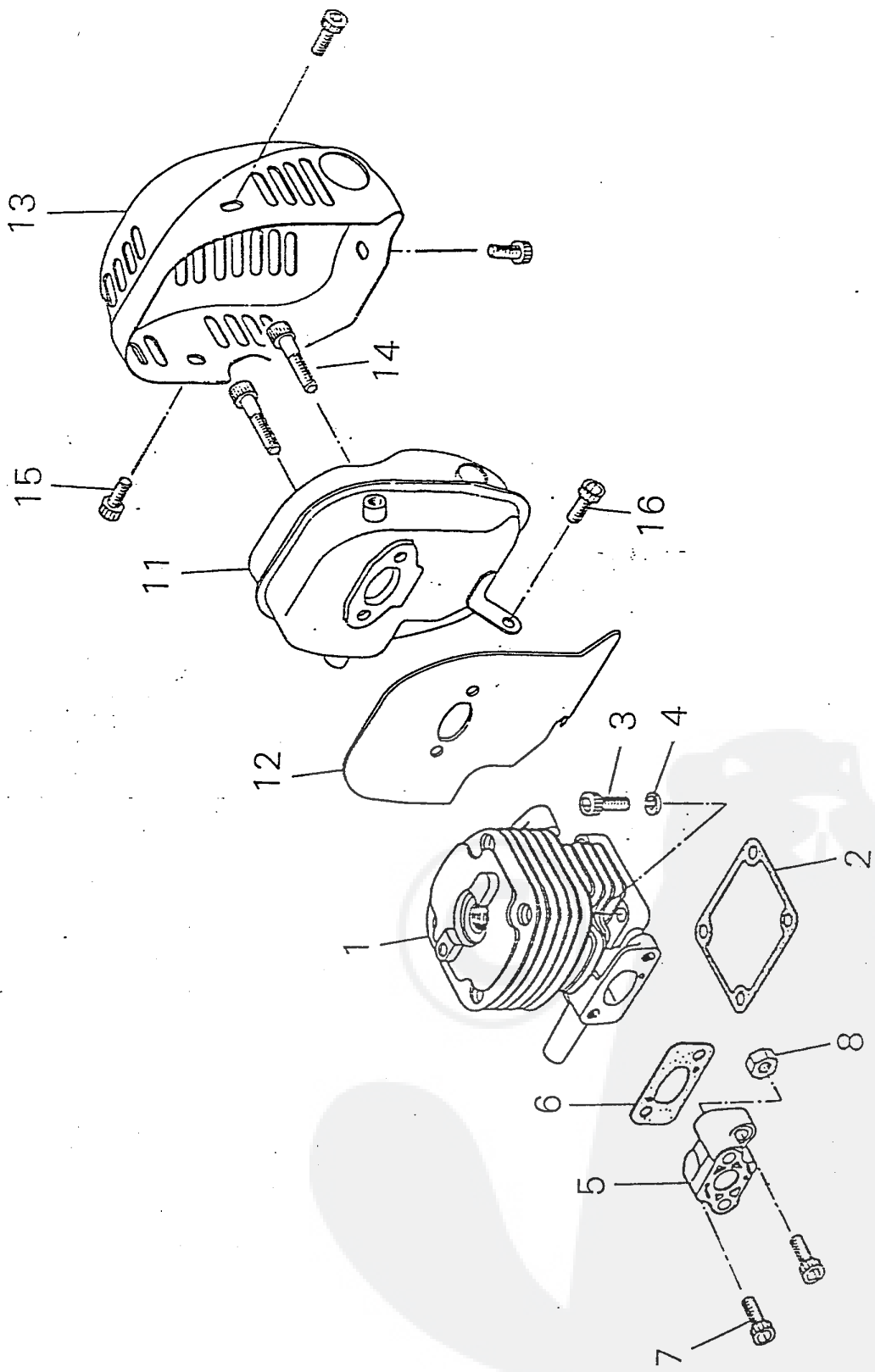
PARTS PRICE LIST

C 3 5

SHIN-DAIWA KOGYO CO., LTD.

35, Ooaza Shin-Ujigami, Chiyoda-cho Yamagata-gun, Hiroshima, 731-14 Japan
Telephone (082672) 6011 Telex 665871 SDKHIR Fax (082672) 6001, 6002
Cable Address SHINDAIWA HIROSHIMA

JUN. 19. 1991

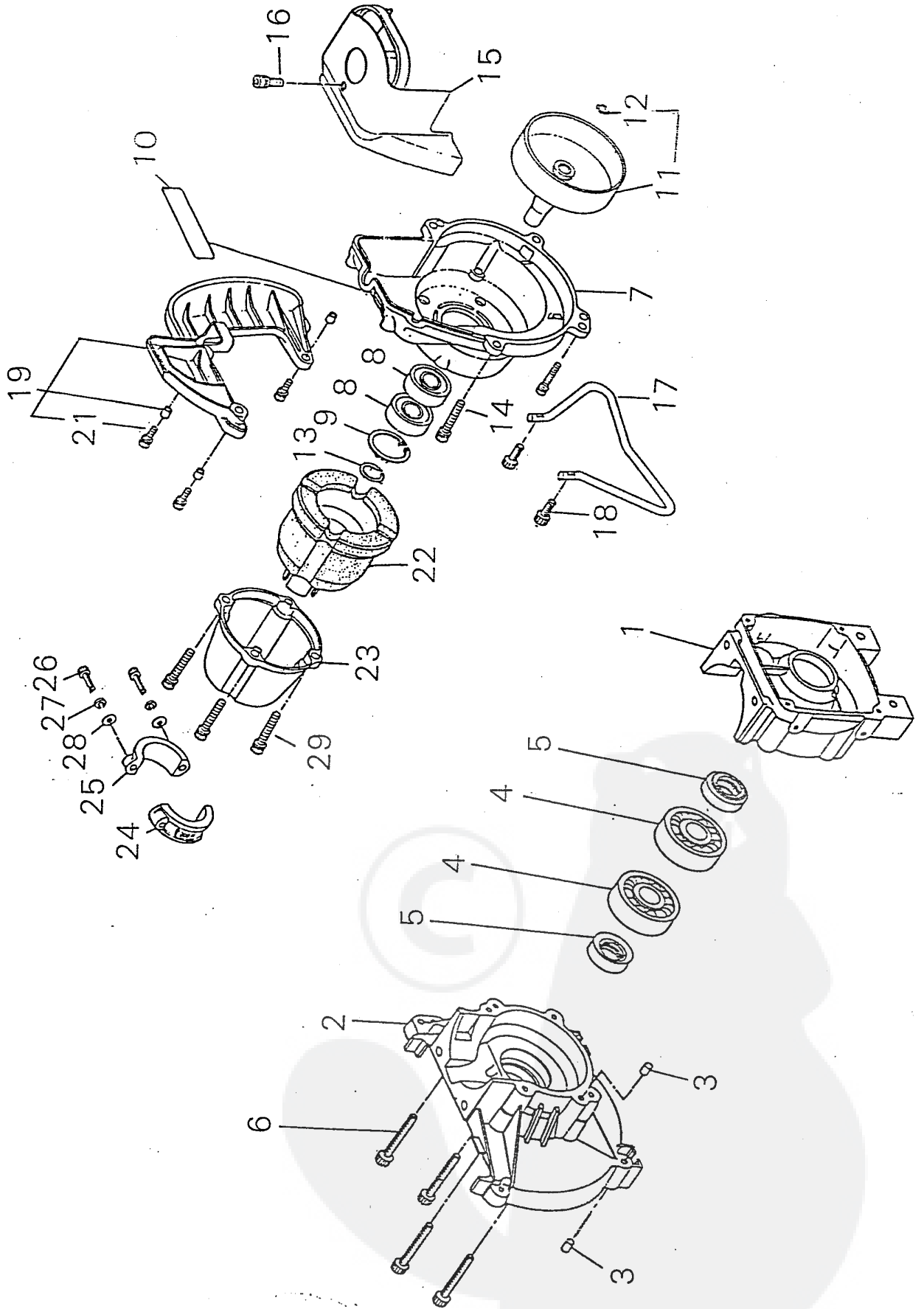


PRICE:(ST)

Ref. No	Part No.	Part Name	Qty	Unit Price	Remarks
1-	1	20011-12111	CYLINDER	1	
	2	20010-12120	GASKET CYLINDER	1	
	3	01020-05250	BOLT	4	
	4	01600-05131	SPRING WASHER	4	
	5	20011-12212	INSULATOR	1	
	6	20011-12220	GASKET	1	
	7	11022-05250	BOLT SPW	2	
	8	20011-12260	NUT	2	
		70016-15003	MUFFLER ASSY	1	
11	20021-15112	• MUFFLER	1		
12	20021-15210	• GASKET MUFFLER	1		
13	70016-15310	• MUFFLER GUARD	1		
14	01020-06250	• BOLT	2		
15	11024-05100	• BOLT SLPW	3		
16	11024-05120	• BOLT SLPW	1		

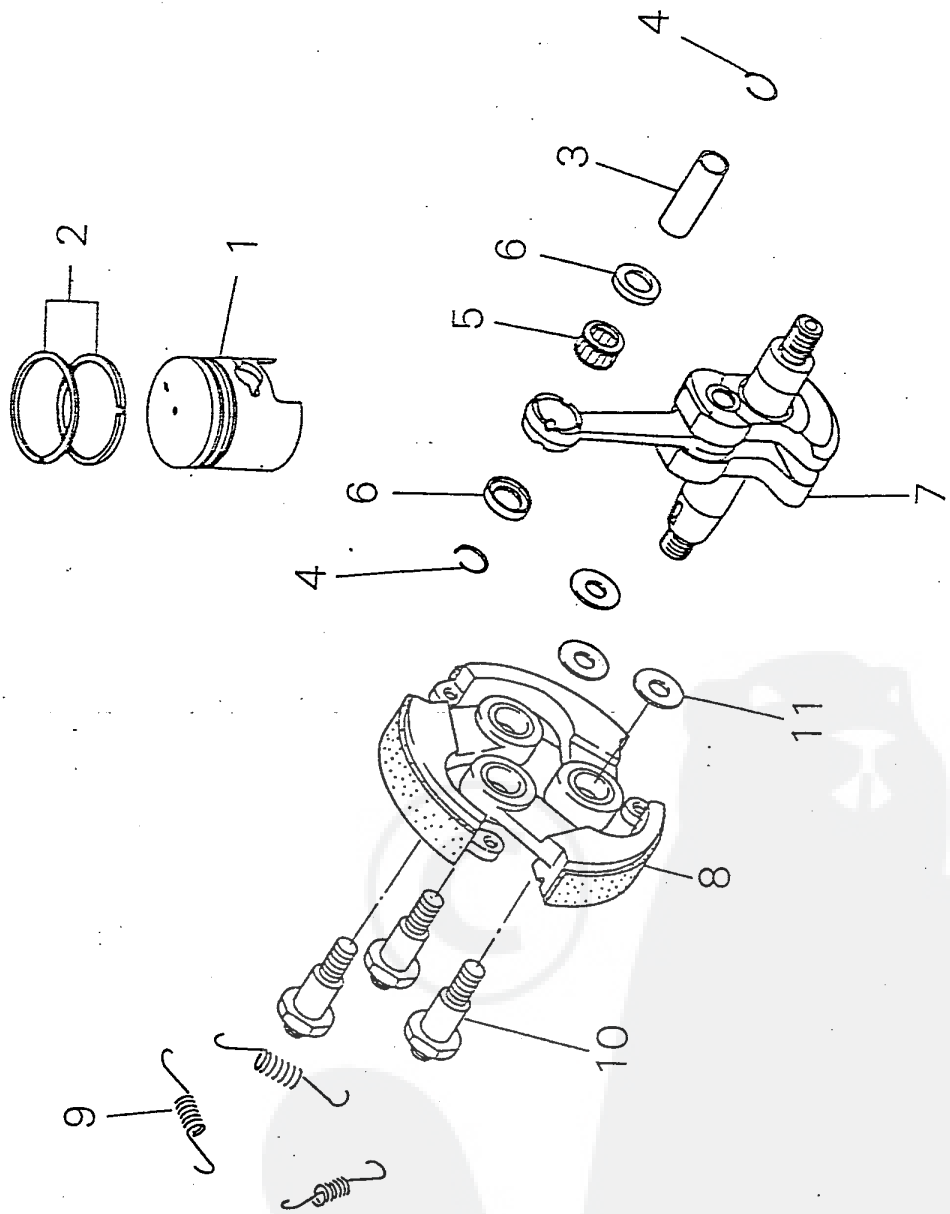
PARTS LIST
SHINDAIWA
(LI38 LIA0380P)

C35/VK



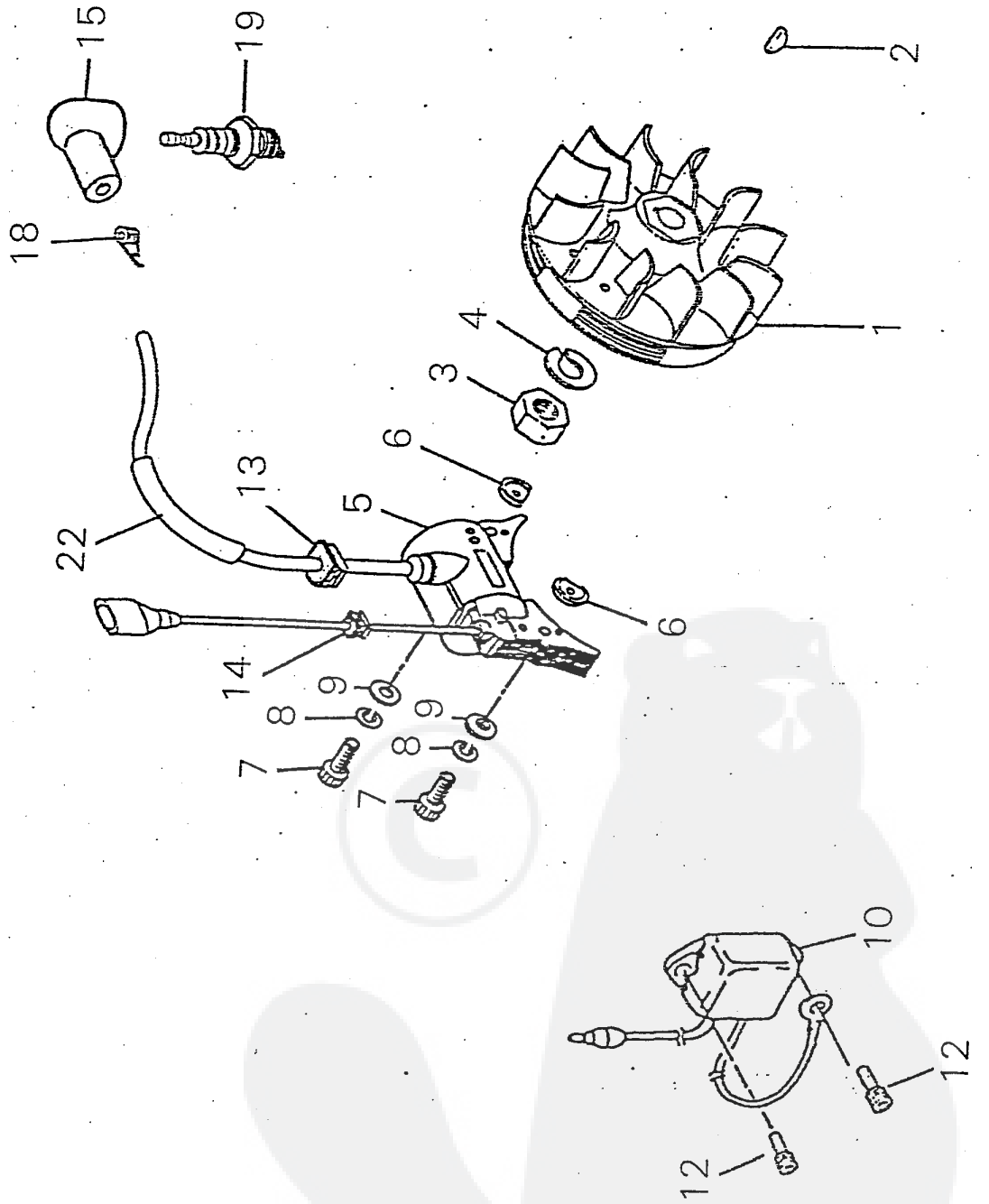
PRICE:(ST)

Ref. No	Part No.	Part Name	Q'ty	Unit Price	Remarks
2-	70012-21000	CRANK CASE ASSY	1		
1	20051-21110	• CRANK CASE S	1		
2	70012-21120	• CRANK CASE M	1		
3	20000-21140	• DAWEL PIN	4		
4	02030-06202	• BEARING	2		
5	20010-21211	• OIL SEAL	2		
6	01020-05300	• BOLT	4		
	70107-31000	FAN COVER ASSY	1		
7	70012-31110	• FAN COVER	1		
8	02006-06002	• BEARING	2		
9	02432-32120	• SNAP RING	1		
10	70107-31150	• NAME PLATE	1		
11	20011-31200	• CLUTCH DRUM SET	1		
12	20011-31220	• SNAP RING	1		
13	20011-31230	• SNAP RING	1		
14	11022-05200	• BOLT SPW	4		
15	70012-32110	CYLINDER COVER	1		
16	11024-05140	BOLT SLPW	1		
17	20011-33111	STAND	1		
18	01020-05120	BOLT	2		
	20011-34100	PROTECTOR ASSY	1		
21	11024-04160	BOLT SLPW	3		
	70012-35100	JOINT ASSY #	1		
22	20011-35110	• JOINT	1		
23	70012-35130	• CAP JOINT	1		
24	20011-35141	• CLAMP A	1		
25	20011-35151	• CLAMP B	1		
26	01020-05250	• BOLT	2		
27	01600-05131	• SPRING WASHER	2		
28	01610-05080	• WASHER	2		
29	11022-05200	• BOLT SPW	4		



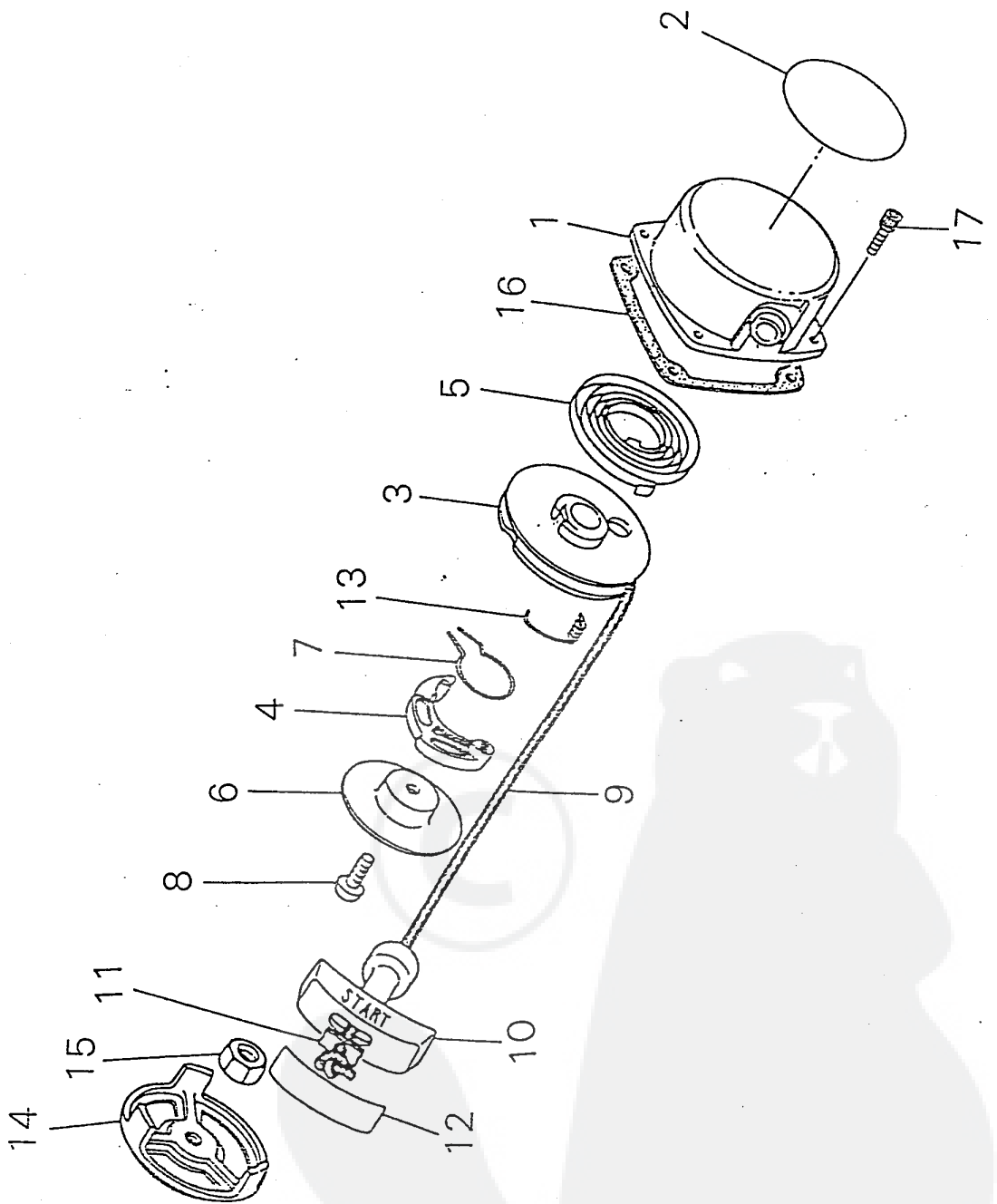
PRICE: (ST)

Ref. No	Part No.	Part Name	Q'ty	Unit Price	Remarks
3- 1	20010-41110	PISTON	1		
2	20010-41210	PISTON RING	2		
3	20010-41310	PISTON PIN	1		
4	22100-41230	SNAP RING	2		
5	20010-41330	NEEDLE BEARING	1		
6	20010-41340	THRUST WASHER	2		
7	20010-42002	CRANK SHAFT ASSY	1		
	20021-51101	CLUTCH SHOE ASSY	1		
8	20021-51110	• CLUTCH SHOE	3		
9	20021-51120	• CLUTCH SPRING	3		
10	20021-51131	• CLUTCH BOLT	3		
11	22100-71430	• WASHER	3		



PRICE:(ST)

Ref. No	Part No.	Part Name	Qty	Unit Price	Remarks
4- 1	20021-71201	ROTOR	1		
2	22100-43210	KEY	1		
3	01511-10061	NUT	1		
4	01600-10251	SPRING WASHER	1		
5	20011-71611	COIL	1		
6	20010-71631	SPACER COIL	2		
7	01020-04260	BOLT	2		
8	01600-04101	SPRING WASHER	2		
9	20010-71650	WASHER	2		
10	72920-71711	UNIT	1		
12	11024-04120	BOLT SPW	2		
13	20011-72110	GROMMET	1		
14	20011-72120	GROMMET	1		
15	22102-72220	PLUG CAP	1		
18	20000-72230	SPRING SPARK PLUG	1		
19	CJ8	SPARK PLAG	1		
22	20011-71660	TUBE	1		

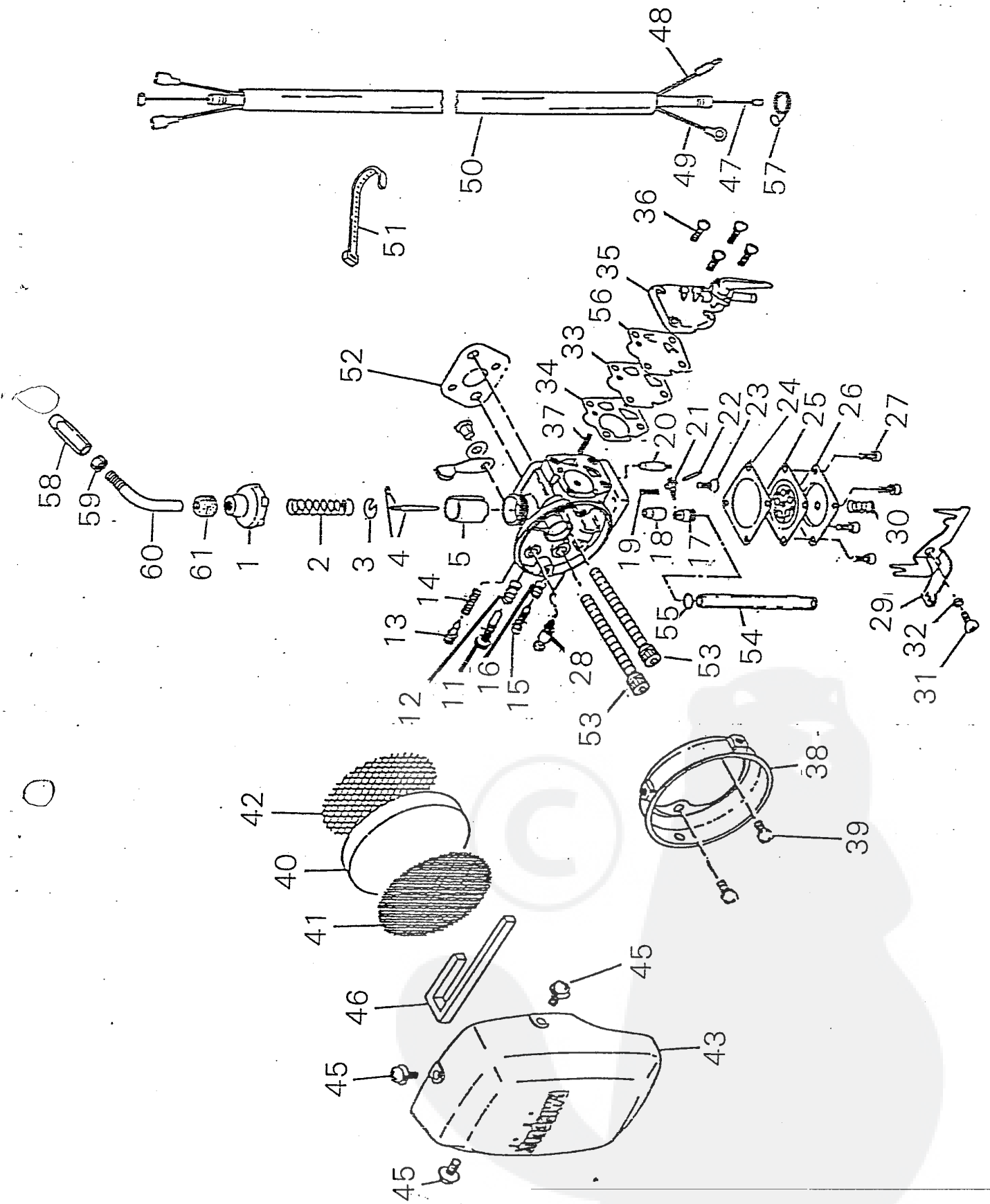


PRICE:(ST)

Ref. No	Part No.	Part Name	Q'ty	Unit Price	Remarks
5-	70012-75000	RECOIL STARTER ASSY #	1		
	70012-75100	• RECOIL STARTER SUB ASSY	1		
1	70012-75110	•• STARTER CASE	1		
2	70005-75240	•• NAME PLATE	1		
3	20000-75120	•• REEL	1		
4	20000-75130	•• RATCHET	1		
5	20000-75140	•• RECOIL SPRING	1		
6	20000-75150	•• PLATE FRICTION	1		
7	20000-75160	•• SPRING FRICTION	1		
8	20000-75170	•• SCREW	1		
9	20000-75180	•• ROPE	1		
10	20010-75190	•• STARTER KNOB	1		
11	20010-75210	•• STOPPER	1		
12	20010-75230	•• TAPE	1		
13	20000-75220	•• RETURN SPRING	1		
14	70000-75230	• STARTER PULLY	1		
15	20000-76210	NUT	1		
16	20010-76110	GASKET RECOIL	1		
17	11022-04160	BOLT SPW	4		

PARTS LIST
SHINDAIWA
(LI38 LIA0380P)

C35/VK



PRICE:(ST)

Ref. No	Part No.	Part Name	Q'ty	Unit Price	Remarks
6-	70107-81000	CARBURETOR ASSY	1		
	70107-81010	• CARBURETOR SUB ASSY	1		
58	20055-81810	•• CABLE ADJUSTER	1		
59	20000-81260	•• LOCK NUT	1		
60	70107-81830	•• ADJUST PIPE	1		
1	20055-81120	•• BODY CAP	1		
61	20055-81130	•• CAP	1		
2	20011-81140	•• SPRING	1		
3	20000-81150	•• SPRING RECEIVE	1		
4	20000-81170	•• JET NEEDLE	1		
5	20011-81182	•• THROTTLE VALVE	1		
11	20000-81310	•• SLOW STOP SCREW	1		
12	20000-81320	•• SPRING	1		
13	20000-81330	•• SLOW AIR SCREW	1		
14	20000-81340	•• SPRING	1		
15	20011-81351	•• ADJUST SCREW	1		
16	20011-81360	•• SPRING	1		
17	20011-81410	•• NEEDLE JET	1		
18	20011-81420	•• HOLDER	1		
19	20011-81430	•• SPRING	1		
20	20000-81441	•• NEEDLE VALVE	1		
21	20011-81450	•• LEVER	1		
22	20011-81460	•• PIN	1		
23	20011-81470	•• SCREW	1		
24	20011-81510	•• GASKET	1		
25	20011-81520	•• DIAPHRAGM	1		
26	20011-81530	•• COVER DIAPHRAGM	1		
27	20000-81540	•• SCREW	4		
28	20011-81550	•• ORVER FLOW VALVE	1		
29	20011-81563	•• TICKLER LEVER	1		
30	20011-81573	•• SPRING	1		
31	20011-81581	•• SCREW	1		
32	20011-81590	•• COLLAR	1		
56	20020-81660	•• PUMP VALVE	1		
33	20011-81621	•• DIAPHRAGM	1		
34	20011-81630	•• GASKET	1		
35	20011-81641	•• PUMP BODY	1		
36	20000-81650	•• SCREW	4		

PARTS LIST
SHINDAIWA
(LI38 LIA0380P)

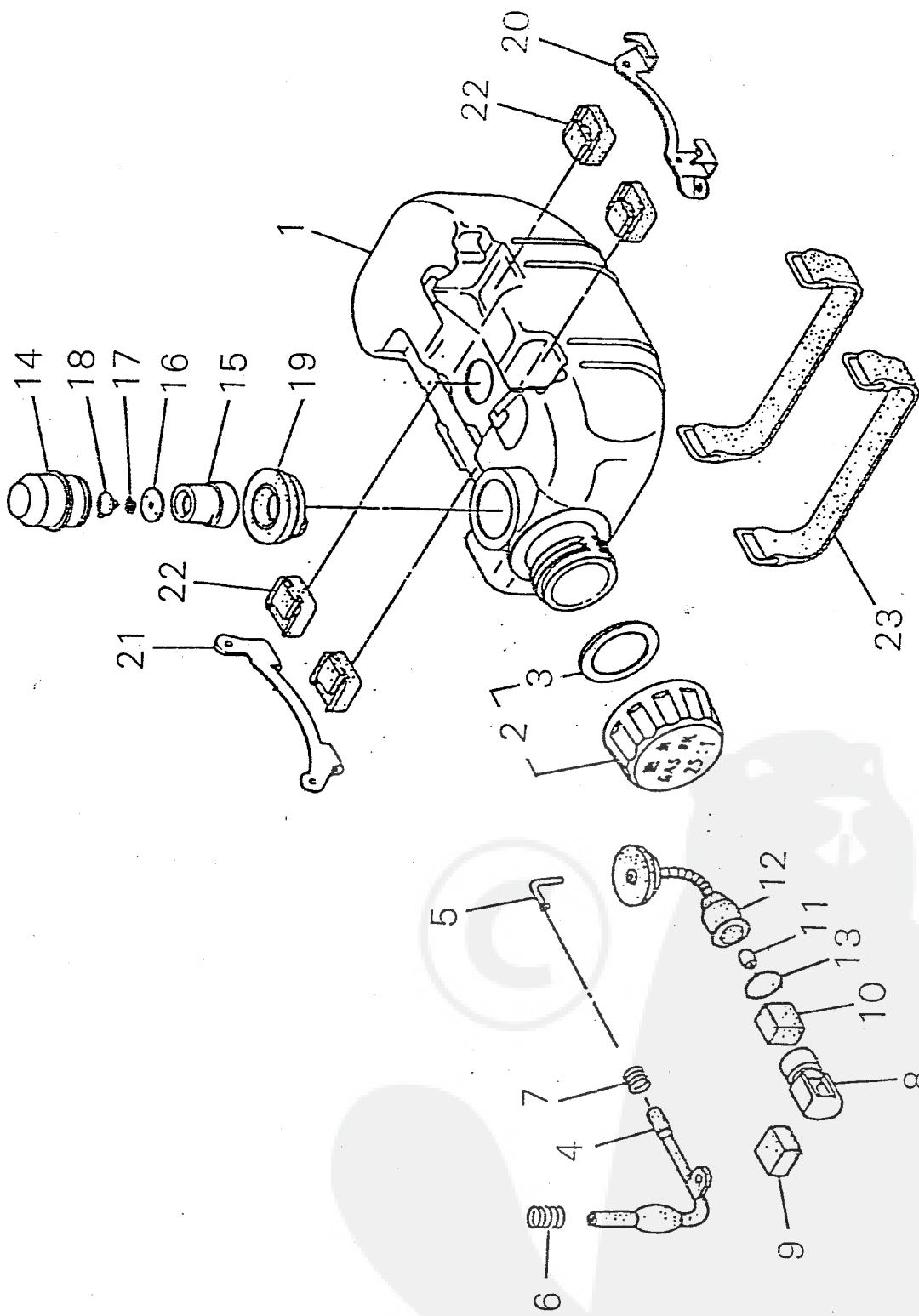
/VK

PRICE:(ST)

Ref. No	Part No.	Part Name	Qty	Unit Price	Remarks
6- 37	20011-81680	· SPRING	1		
	70107-81700	· AIR CLEANER SUB ASSY	1		
38	20010-81711	· CLEANER BODY	1		
39	20000-81730	· SCREW	2		
40	20000-81740	· FILTER	1		
41	20000-81750	· NET A	1		
42	20010-81760	· NET B	1		
43	20010-81771	· CLEANER COVER	1		
45	20000-81735	· SCREW	3		
46	20010-81781	· SPRING NET	1		
	70108-83100	THROTTLE CABLE SUB ASSY	1		
47	70108-83111	· THROTTLE CABLE	1		
48	70108-83120	· CORD RED	1		
49	70108-83130	· CORD BLACK	1		
50	70108-83140	· TUBE	1		
51	20000-83140	· CLAMP	1		
52	20011-83410	GASKET CARBURETOR	1		
53	11022-05500	BOLT SPW	2		
54	20000-83313	PIPE	1		
55	20021-85540	CLIP	1		
	20011-81921	DIAPHRAGM KIT	1		
25	20011-81520	· DIAPHRAGM	1		
33	20011-81621	· DIAPHRAGM	1		
56	20020-81660	· PUMP VALVE	1		
	20011-81910	GASKET KIT	1		
24	20011-81510	· GASKET	1		
34	20011-81630	· GASKET	1		
	20011-81930	JET NEEDLE KIT	1		
4	20000-81170	· JET NEEDLE	1		
17	20011-81410	· NEEDLE JET	1		

PARTS LIST
SHINDAIWA
(LI38 LIA0380P)

C35/VK

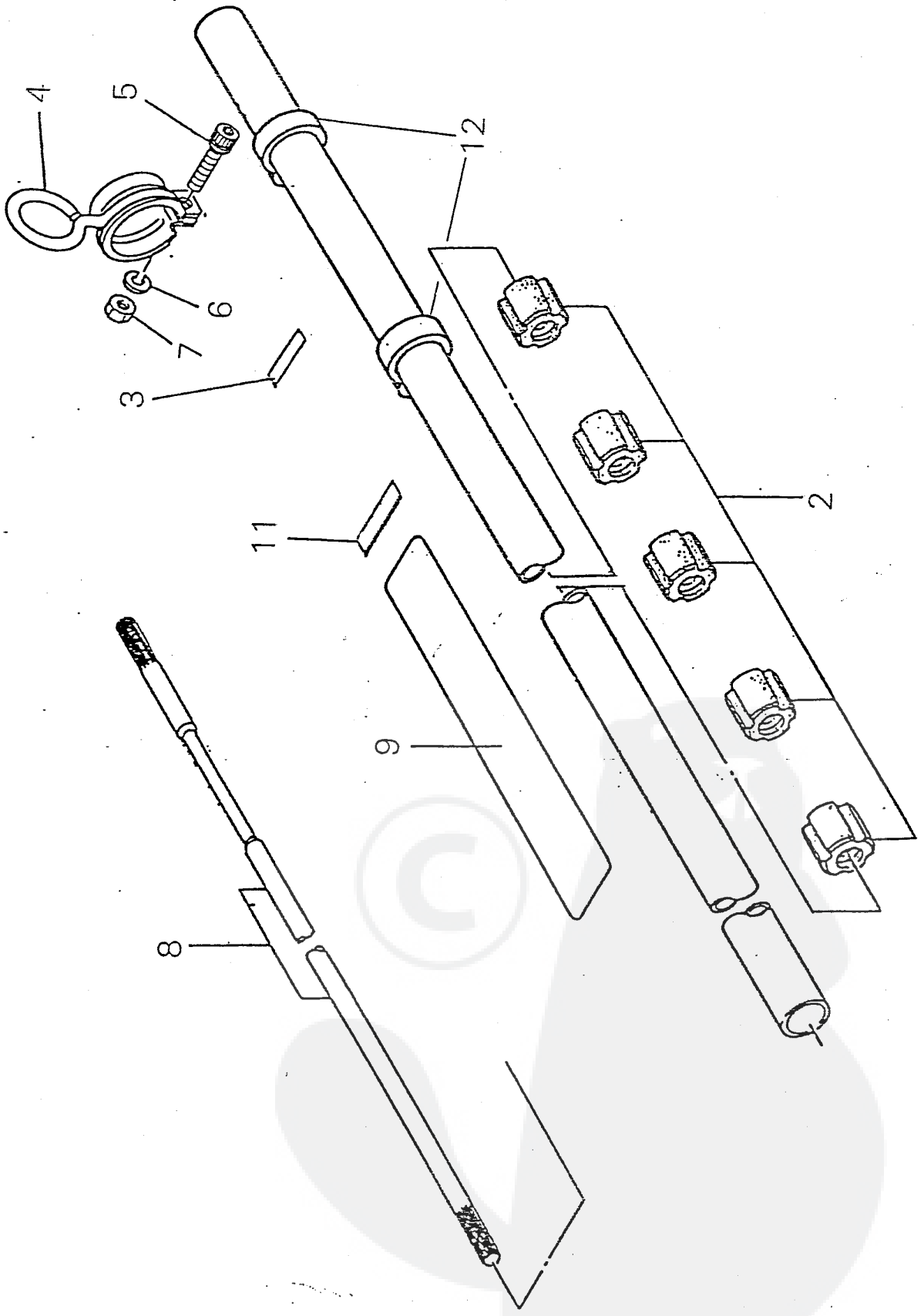


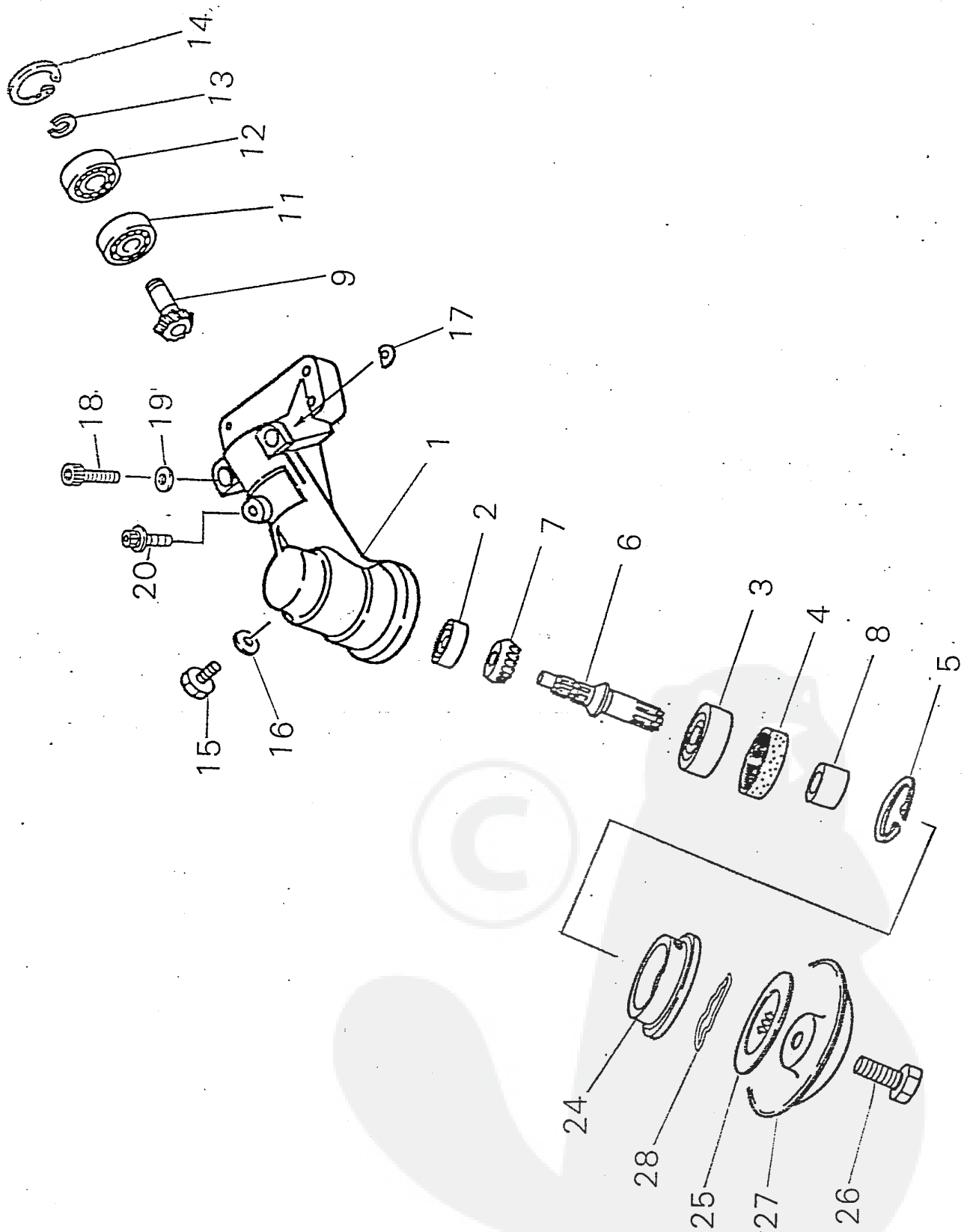
PRICE:(ST)

Ref. No	Part No.	Part Name	Q' ty	Unit Price	Remarks
7-	70050-85000	FUEL TANK ASSY	1		
1	20011-85111	• FUEL TANK	1		
2	70043-85200	• FUEL CAP SUB ASSY	1		
3	20000-85220	•• GASKET FUEL	1		
	20000-85303	• FUEL PIPE SUB ASSY	1		
4	20000-85313	•• FUEL PIPE	1		
5	20000-85321	•• JOINT PIPE	1		
6	20000-85340	•• CLAMP A	1		
7	20000-85350	•• CLAMP B	1		
	20011-85400	• FUEL FILTER SUB ASSY	1		
8	22100-85411	•• WEIGHT FUEL	1		
9	22100-85420	•• FILTER A	1		
10	22100-85431	•• FILTER B	1		
11	20000-85440	•• CHAKE VALVE	1		
12	20011-85450	•• SUCTION PIPE	1		
13	22102-85440	•• CLIP	1		
	20000-85500	• BREATHER SUB ASSY	1		
14	20000-85511	•• CAP BREATHER	1		
15	20000-85521	•• HOLDER VALVE	1		
16	22100-85240	•• RETAINER FUEL	1		
17	22100-85250	•• WASHER FUEL	1		
18	22100-85260	•• VALVE FUEL	1		
19	20000-85579	• GROMMET BREATHER	1		
20	20021-86110	BRACKET S	1		
21	20011-86120	BRACKET M	1		
22	20010-86130	CUSHION	4		
23	20010-86140	BAND	2		

PARTS LIST
SHINDAIWA
(LI38 LIA0380P)

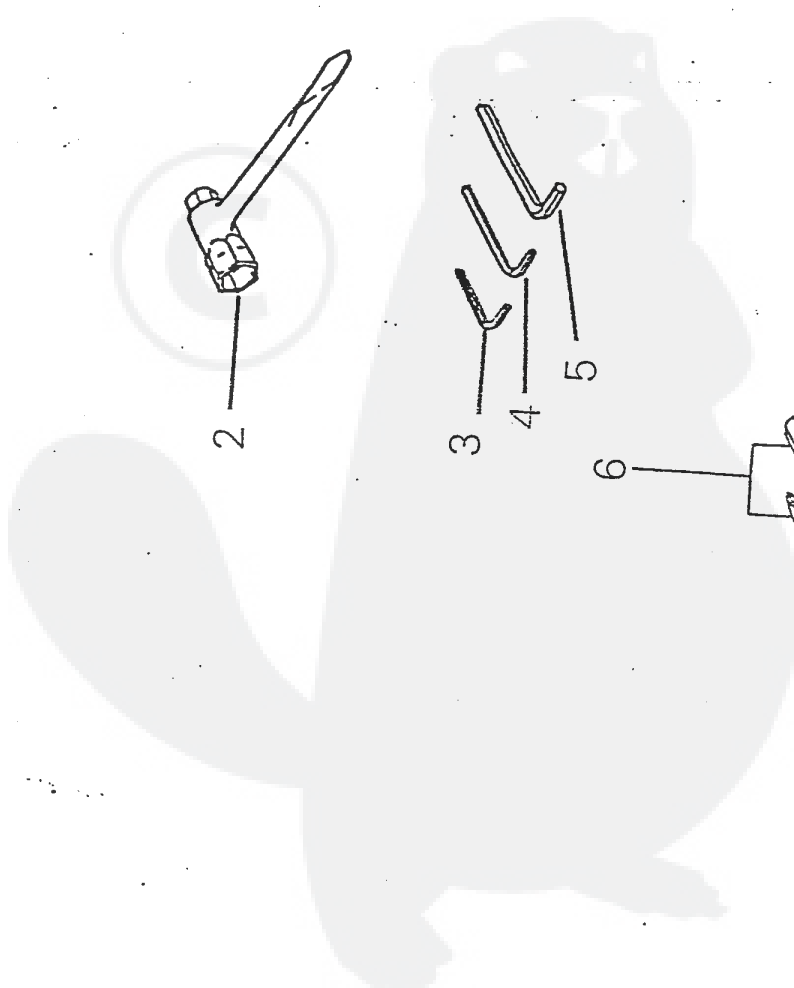
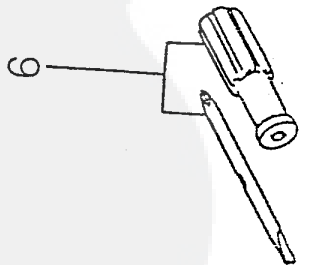
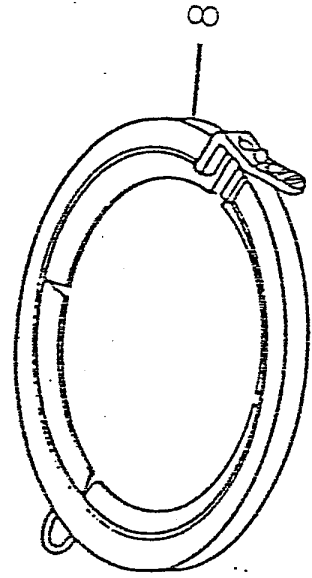
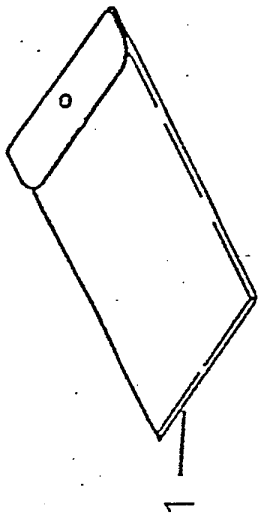
C35/VK





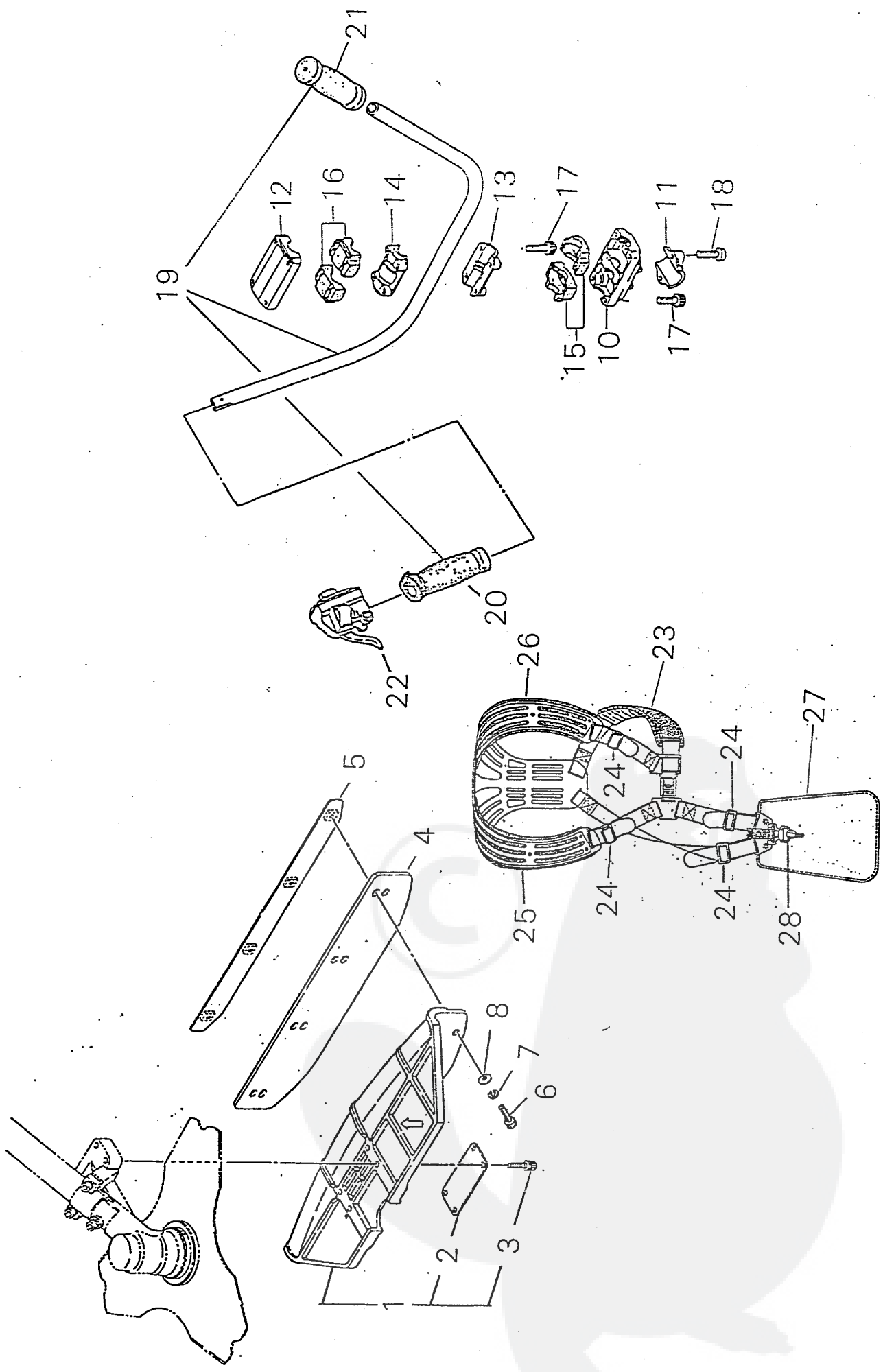
PRICE:(ST)

Ref. No	Part No.	Part Name	Q'ty	Unit Price	Remarks
9-	72446-13001	GEAR CASE ASSY	1		
	72446-13011	• GEAR CASE SUB ASSY	1		
1	72447-13111	•• GEAR CASE	1		
2	02006-06000	•• BEARING	1		
3	02000-06202	•• BEARING	1		
4	22015-13120	•• OIL SEAL	1		
5	02432-35150	•• SNAP RING	1		
6	22015-13210	•• GEAR SHAFT	1		
7	22015-13220	•• BEVEL GEAR	1		
8	22015-13230	•• COLLAR	1		
9	22015-13390	•• PINION SET	1		
11	02000-06001	•• BEARING	1		
12	02002-06001	•• BEARING	1		
13	20000-31140	•• SNAP RING	1		
14	02432-28120	•• SNAP RING	1		
15	22015-13410	•• BOLT	1		
16	22015-13420	•• GASKET	1		
17	22000-13420	•• SHIM	2		
18	11020-05300	•• BOLT SW	2		
19	01610-05080	•• WASHER	2		
20	11022-05120	•• BOLT SPW	1		
24	72447-13240	• HOLDER A	1		
25	22015-13251	• HOLDER B	1		
26	22015-13261	• BOLT	1		
27	72447-13290	• STABILIZER	1		
28	22015-13290	• SLIDE PIN	1		



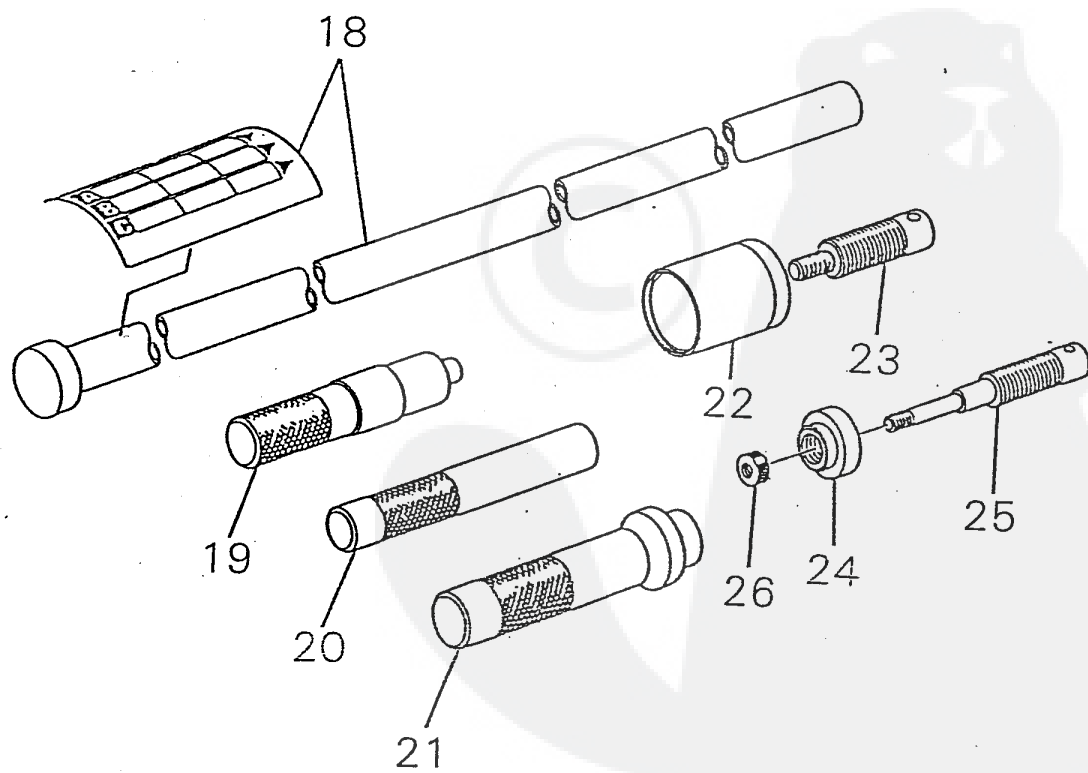
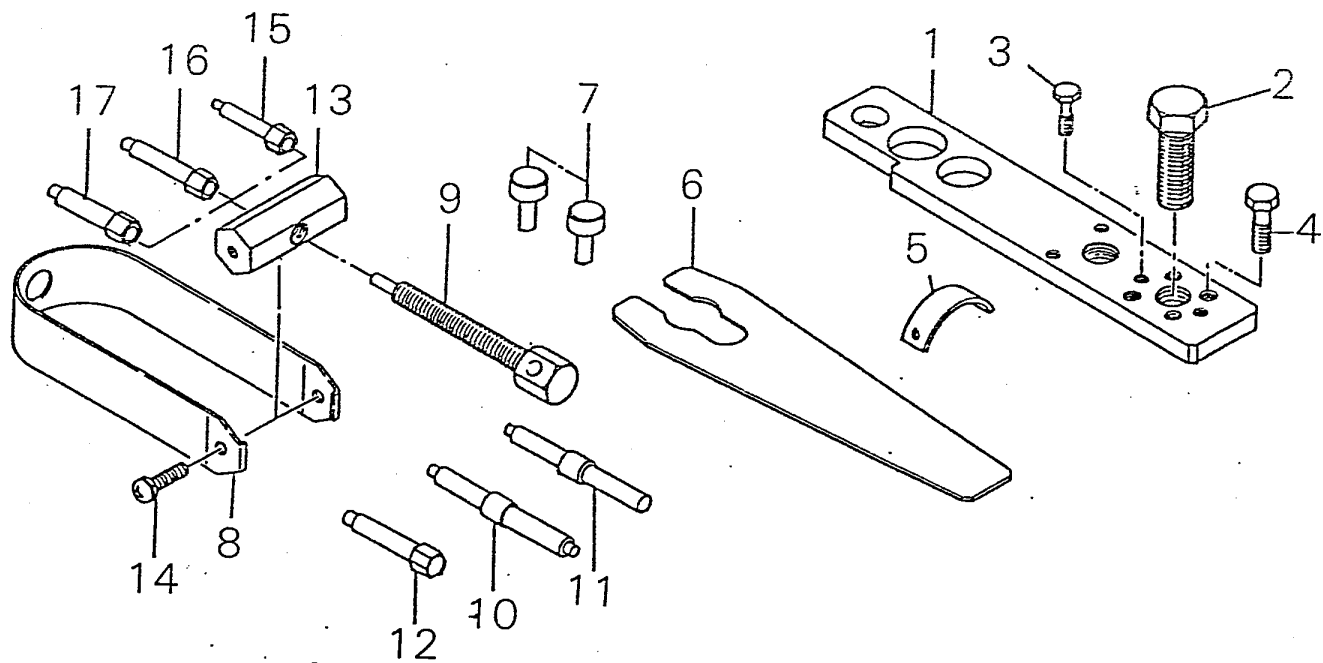
PRICE:(ST)

Ref. No.	Part No.	Part Name	Qty	Unit	Remarks
10-	72447-91000	TOOL SET	1		
1	72444-91110	• TOOL BAG	1		
2	22015-91180	• WRENCH 17X19	1		
3	09026-03001	• HEXA WRENCH	1		
4	09026-04001	• HEXA WRENCH	1		
5	09026-05001	• HEXA WRENCH	1		
6	22100-91150	DRIVER	1		
7	72043-92136	TRIPLE SAW	1		
8	22000-92710	SAW COVER	1		



PRICE:(ST)

Ref. No	Part No.	Part Name	Q'ty	Unit Price	Remarks
11- 1	72447-16900	GUARD SUB ASSY	1		
2	72444-16250	• WASHER	1		
3	11022-05200	• BOLT SPW	4		
	72444-16800	SUB GUARD ASSY	1		
4	72444-16220	• SUB GUARD	1		
5	72444-16230	• BACK PLATE	1		
6	01020-05160	• BOLT	4		
7	01600-05131	• SPRING WASHER	4		
8	01613-05080	• WASHER	4		
	72447-14000	HANDLE ASSY	1		
	72017-14100	• BRACKET COMP	1		
10	72017-14110	•• HANDLE BRACKET	1		
11	72017-14120	•• LOWER CAP	1		
12	72017-14130	•• UPPER CAP	1		
13	22015-14140	•• LOWER CLAMP	1		
14	22015-14150	•• UPPER CLAMP	1		
15	22015-14160	•• LOWER CUSHION	2		
16	22015-14170	•• UPPER CUSHION	2		
17	11022-05250	•• BOLT SPW	8		
18	11210-06250	•• SCREW BUTTON	2		
19	72447-14200	• HANDLE SUB ASSY	1		
20	72447-14220	•• RIGHT GRIP	1		
21	22015-14230	•• LEFT GRIP	1		
22	72447-14300	• LEVER COMP	1		
	72451-17201	HARNESS ASSY	1		
23	22007-17220	• PROTECTOR	1		
24	72451-17230	• BUCKLE	4		
25	72451-17241	• PAD RIGHT	1		
26	72451-17251	• PAD LEFT	1		
27	72451-17261	• PAD	1		
28	72451-17270	• HOOK	1		



PRICE:(ST)

Ref. No	Part No.	Part Name	Q'ty	Unit Price	Remarks
12-	20021-96001	OPTION TOOL SET #	1		
	20000-96104	• PULLER ASSY	1		
1	20000-96114	• LEVER	1		
2	22100-96121	• CENTER BOLT	1		
3	20000-96130	• BOLT	3		
4	20000-96140	• BOLT	2		
5	20000-96210	• AIR GAP GAUGE	1		
6	20000-96411	• ROTOR SPANNER	1		
7	20021-96420	• STOPPER	2		
	20021-96601	• PULLER ASSY	1		
8	20021-96611	• PULLER	1		
9	20021-96621	• BOLT	1		
10	20000-96631	• GUIDE PIN	1		
11	20035-96630	• GUIDE PIN	1		
12	20021-96630	• GUIDE PIN	1		
13	20000-96640	• BOSS	1		
14	01211-06120	• SCREW	2		
15	20021-96650	• PIN ADAPTER	1		
16	20021-96660	• PIN ADAPTER	1		
17	20021-96670	• PIN ADAPTER	1		
	22015-96001	OPTION TOOL SET #	1		
	22000-96101	• ROD BUSHING ASSY	1		
2	22015-96210	• ROD	1		
3	22015-96310	• ROD	1		
4	22015-96410	• ROD	1		
	22015-96500	• PULLER ASSY	1		
5	22015-96510	• HOLDER	1		
6	22015-96520	• BOLT	1		
	22015-96600	• PULLER ASSY	1		
7	22015-96610	• HOLDER A	1		
8	22000-96621	• BOLT	1		
9	22000-96630	• NUT	1		