

shindaiwa

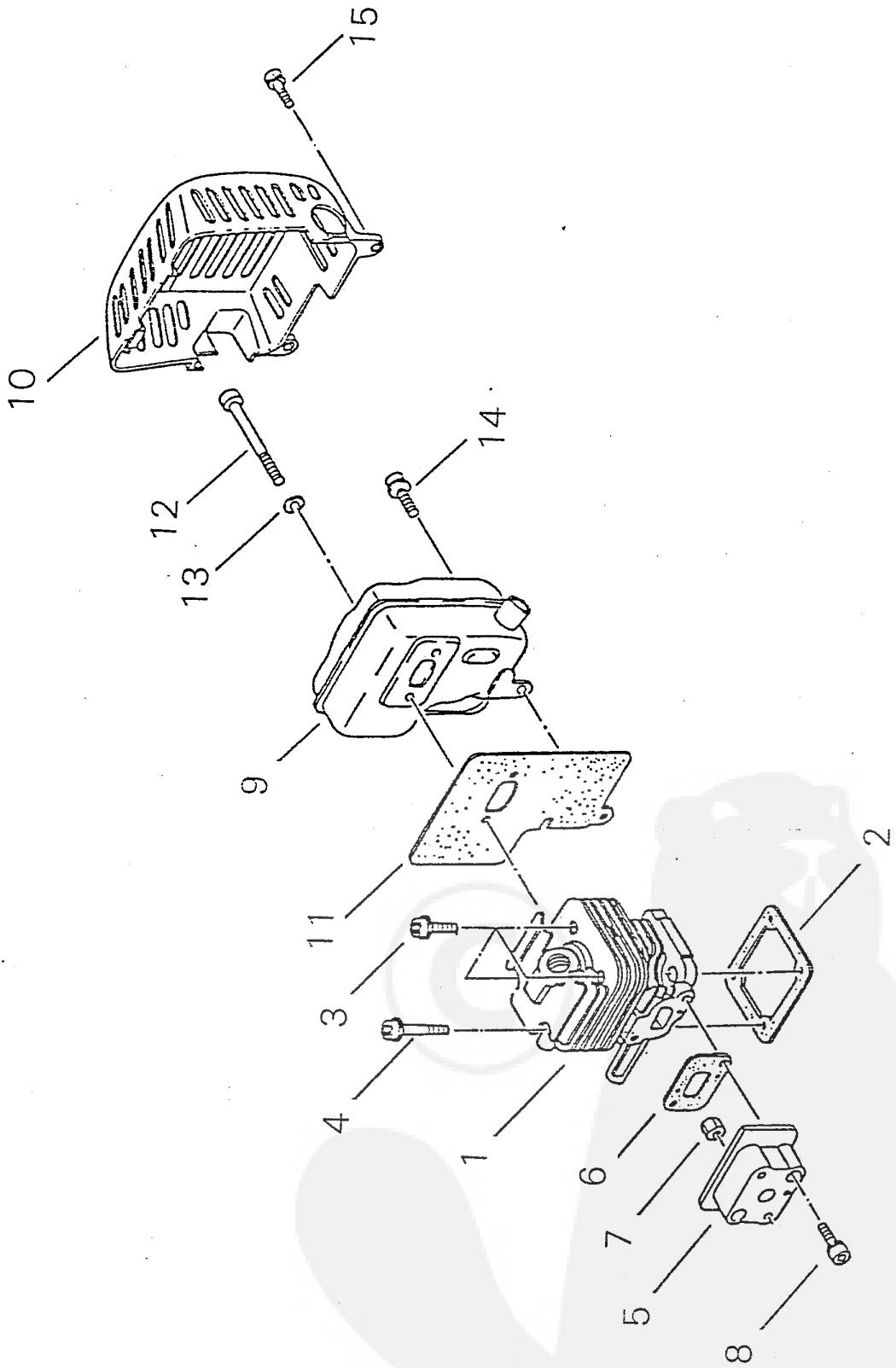
PARTS PRICE LIST

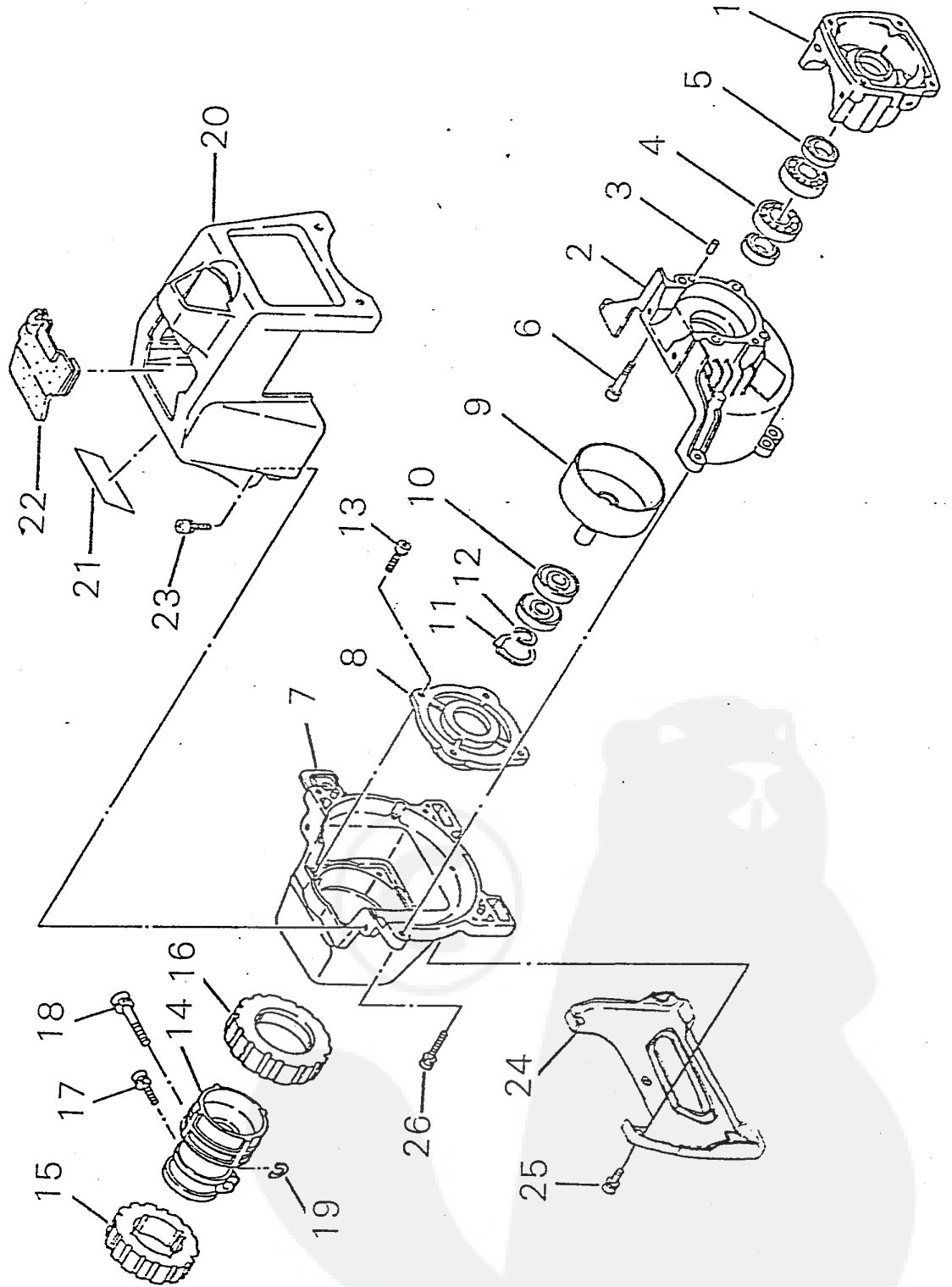
C 2 7

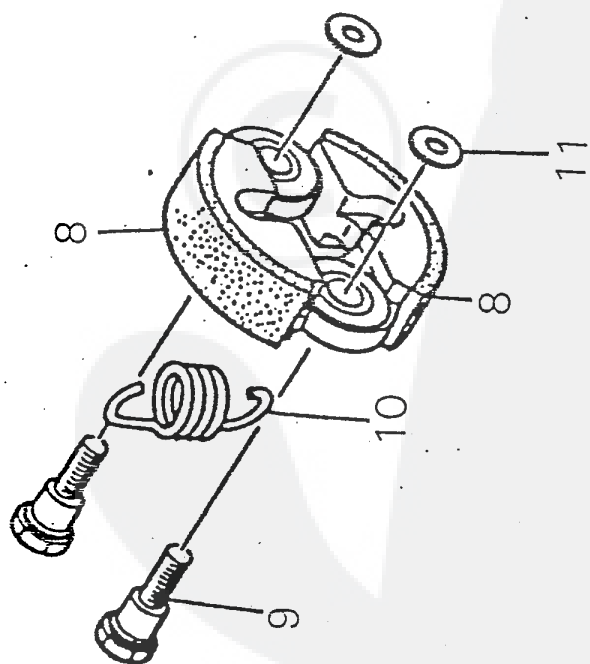
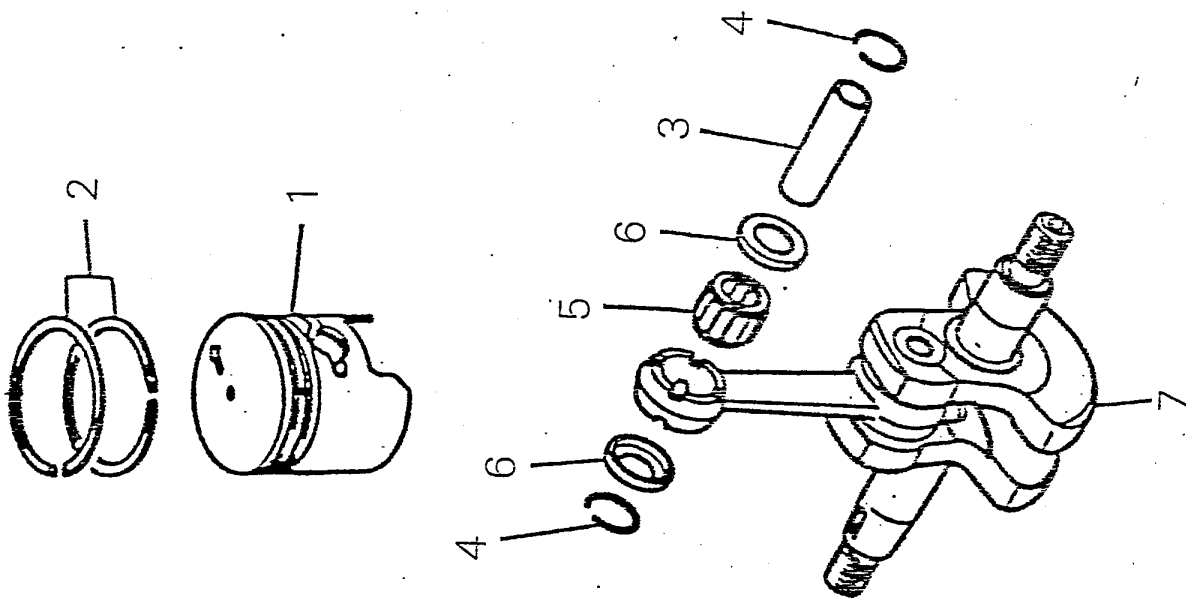
SHIN-DAIWA KOGYO CO. LTD.

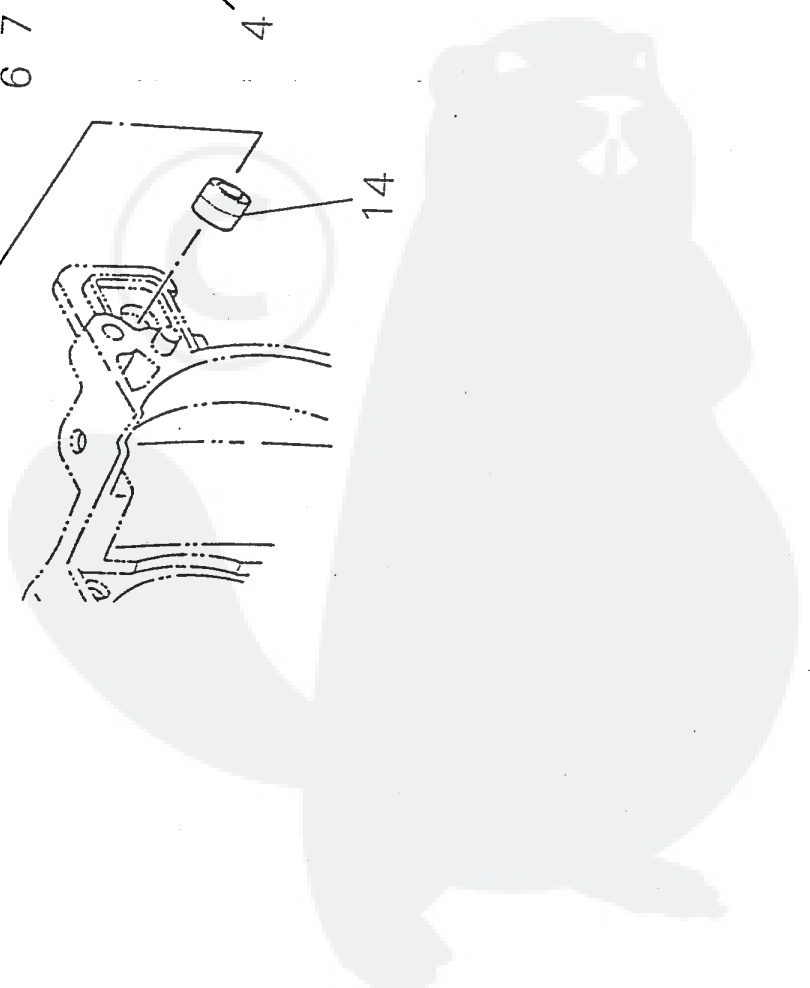
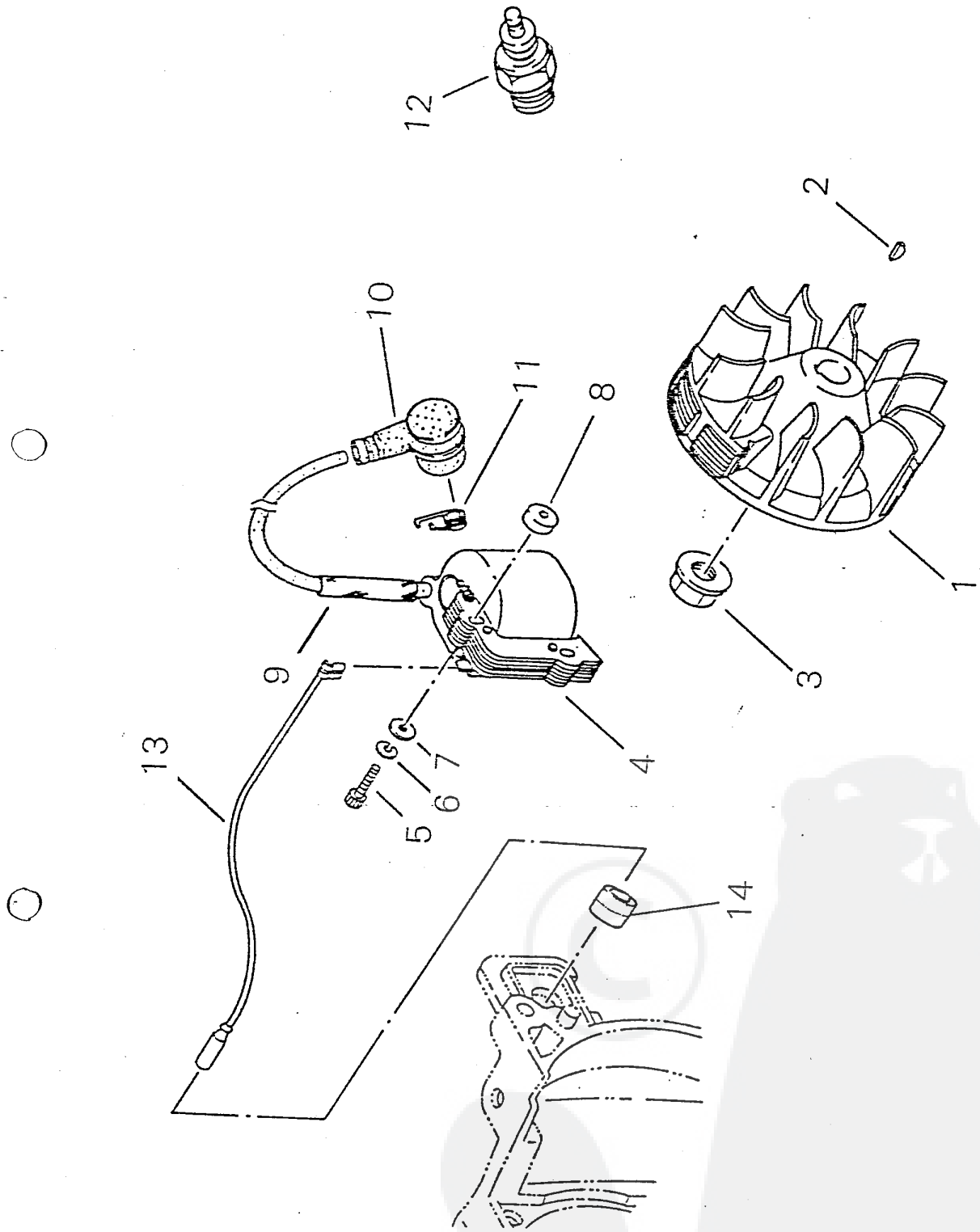
35, Oaza Shin-Ujigami, Chiyoda-cho Yamagata-gun, Hiroshima, 731-14 Japan
Telephone (082672) 6011 Telex 655871 SDKHIR Fax (082672) 6001, 6002
Cable Address SHINDAIWA-HIROSHIMA

JUN. 13. 1991



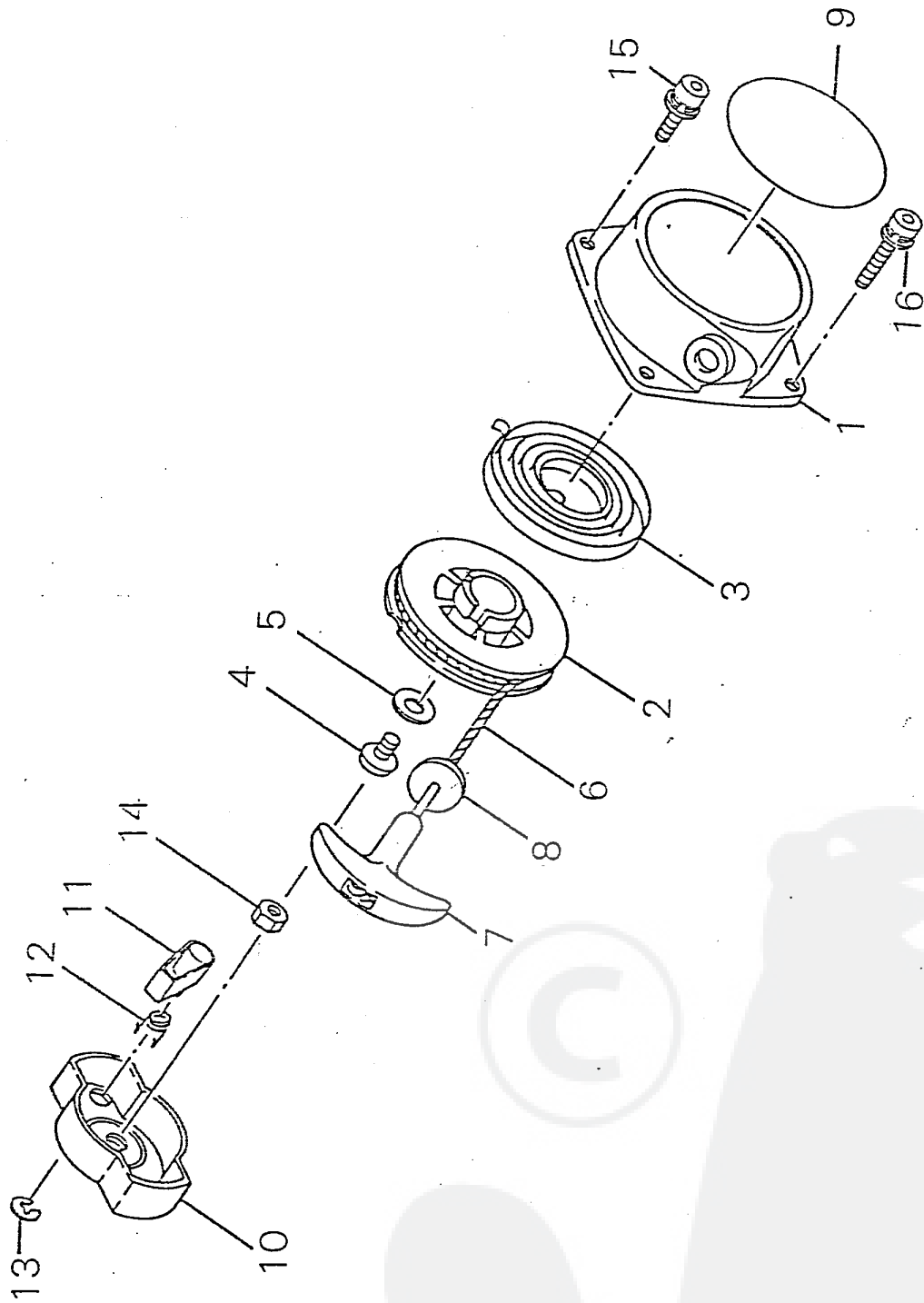


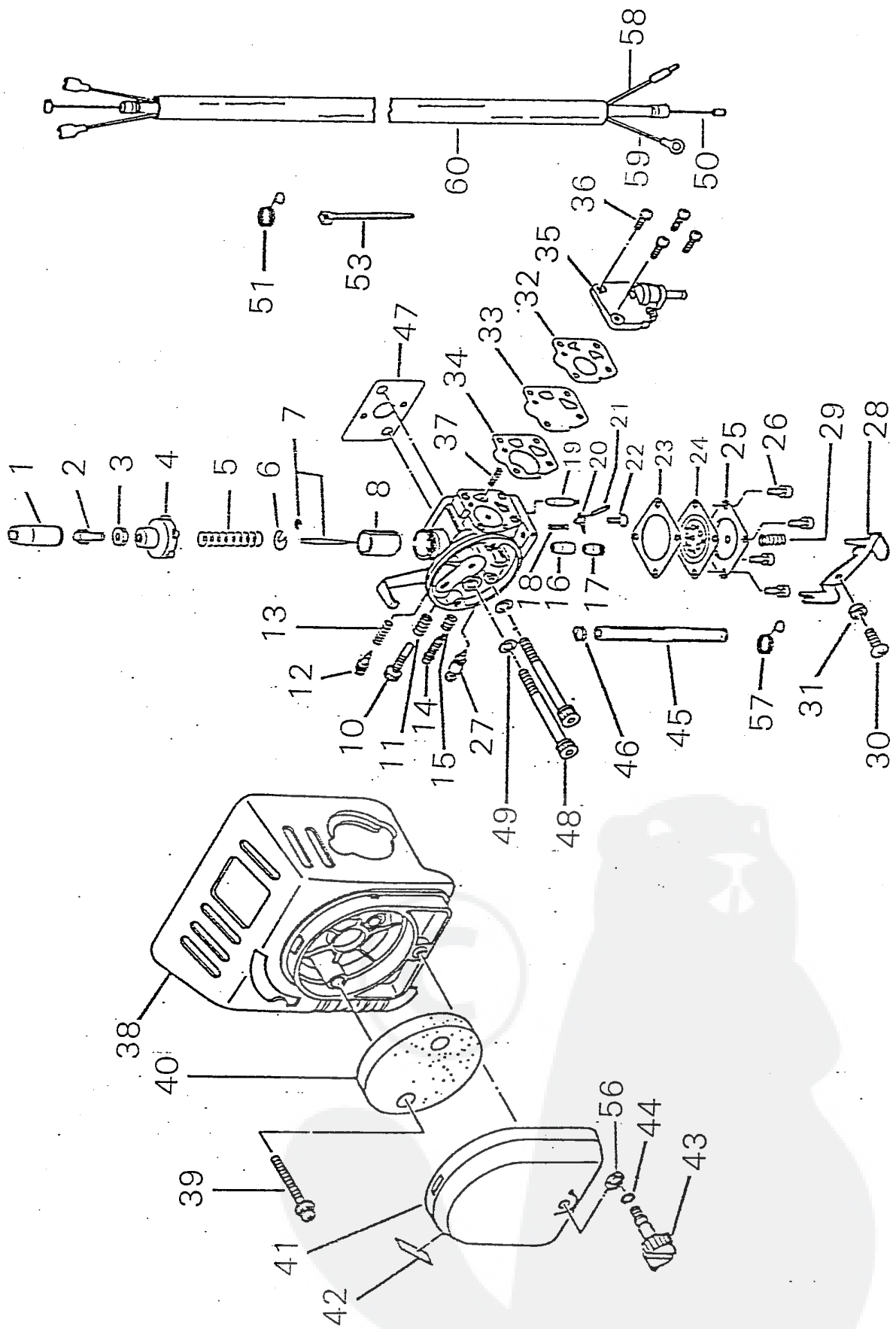




PRICE: (ST)

Ref. No	Part No.	Part Name	Qty	Unit Price	Remarks
4- 1	20024-71201	ROTOR	1		
2	22100-43210	KEY	1		
3	20035-71220	NUT	1		
4	20024-71610	COIL	1		
5	01020-04300	BOLT	2		
6	01600-04101	SPRING WASHER	2		
7	01610-04050	WASHER	2		
8	70030-71620	INSULATOR	2		
9	20024-72111	TUBE	1		
10	20010-72221	PLUG CAP	1		
11	20000-72230	SPRING SPARK PLUG	1		
12	CJ8Y	SPARK PLAG	1		
13	70102-74130	CORD	1		
14	70105-31520	GROMMET	1		





PRICE:(ST)

Ref. No	Part No.	Part Name	Q'ty	Unit Price	Remarks
6-	70102-81000	CARBURETOR ASSY	1		
	20024-81024	* CARBURETOR SUB ASSY	1		
1	72920-81130	** ADJUSTER CAP	1		
2	72920-81140	** CABLE ADJUSTER	1		
3	20000-81260	** LOCK NUT	1		
4	72920-81120	** BODY CAP	1		
5	20011-81140	** SPRING	1		
6	20000-81150	** SPRING RECEIVE	1		
7	20024-81170	** JET NEEDLE	1		
8	20024-81180	** THROTTLE VALVE	1		
10	20000-81310	** SLOW STOP SCREW	1		
11	20000-81320	** SPRING	1		
12	20000-81330	** SLOW AIR SCREW	1		
13	20000-81340	** SPRING	1		
14	20011-81351	** ADJUST SCREW	1		
15	20011-81360	** SPRING	1		
16	20024-81411	** NEEDLE JET	1		
17	20011-81420	** HOLDER	1		
18	20011-81430	** SPRING	1		
19	20000-81441	** NEEDLE VALVE	1		
20	20011-81450	** LEVER	1		
21	20011-81460	** PIN	1		
22	20011-81470	** SCREW	1		
23	20011-81510	** GASKET	1		
24	20024-81520	** DIAPHRAGM	1		
25	20011-81530	** COVER DIAPHRAGM	1		
26	20000-81540	** SCREW	4		
27	20011-81550	** ORVER FLOW VALVE	1		
28	20035-81560	** TICKLER LEVER	1		
29	20011-81572	** SPRING	1		
30	20011-81581	** SCREW	1		
31	20011-81590	** COLLAR	1		
32	20020-81660	** PUMP VALVE	1		
33	20011-81621	** DIAPHRAGM	1		
34	20011-81630	** GASKET	1		
35	20011-81641	** PUMP BODY	1		
36	20000-81650	** SCREW	4		
37	20040-81680	** SPRING	1		

PARTS LIST
SHINDAIWA
(LI38 LIA0380P)

C27/VK

PRICE:(ST)

Ref. No	Part No.	Part Name	Q'ty	Unit Price	Remarks
6-	20024-81701	• CLEANER SUB ASSY	1		
38	20024-81711	•• CLEANER BODY	1		
39	11207-04250	•• SCREW PM SLPW	2		
40	20056-81740	•• FILTER	1		
	20024-81778	•• CLEANER COVER COMP	1		
41	20024-81770	∴ CLEANER COVER	1		
42	19404-00008	∴ LABEL CHORKE	1		
43	20024-81781	∴ KNOB CLEANER	1		
44	22100-82430	∴ O RING	1		
56	20024-81790	∴ COEN WASHER	1		
57	20024-83320	PIPE HOLDER	1		
45	20000-83312	PIPE	1		
46	20020-85540	CLIP	1		
47	20024-83410	GASKET CARBURETOR	1		
48	01020-05650	CAP BOLT	2		
49	01600-05130	SPRING WASHER	2		
	70105-83100	THROTTLE CABLE SUB ASSY	1		
50	20026-83111	• THROTTLE CABLE	1		
	70106-83109	• CORD ASSY	1		
58	70105-83120	•• CORD	1		
59	70105-83130	•• CORD	1		
60	70105-83140	•• TUBE	1		
51	20024-83151	CABLE HOLDER	1		
	20011-81910	GASKET KIT	1		
23	20011-81510	• GASKET	1		
34	20011-81630	• GASKET	1		
	20024-81920	DIAPHRAGM KIT	1		
24	20024-81520	• DIAPHRAGM	1		
33	20011-81621	• DIAPHRAGM	1		
32	20020-81660	• PUMP VALVE	1		
	20024-81931	JET NEEDLE KIT	1		
7	20024-81170	• JET NEEDLE	1		
16	20024-81411	• NEEDLE JET	1		

