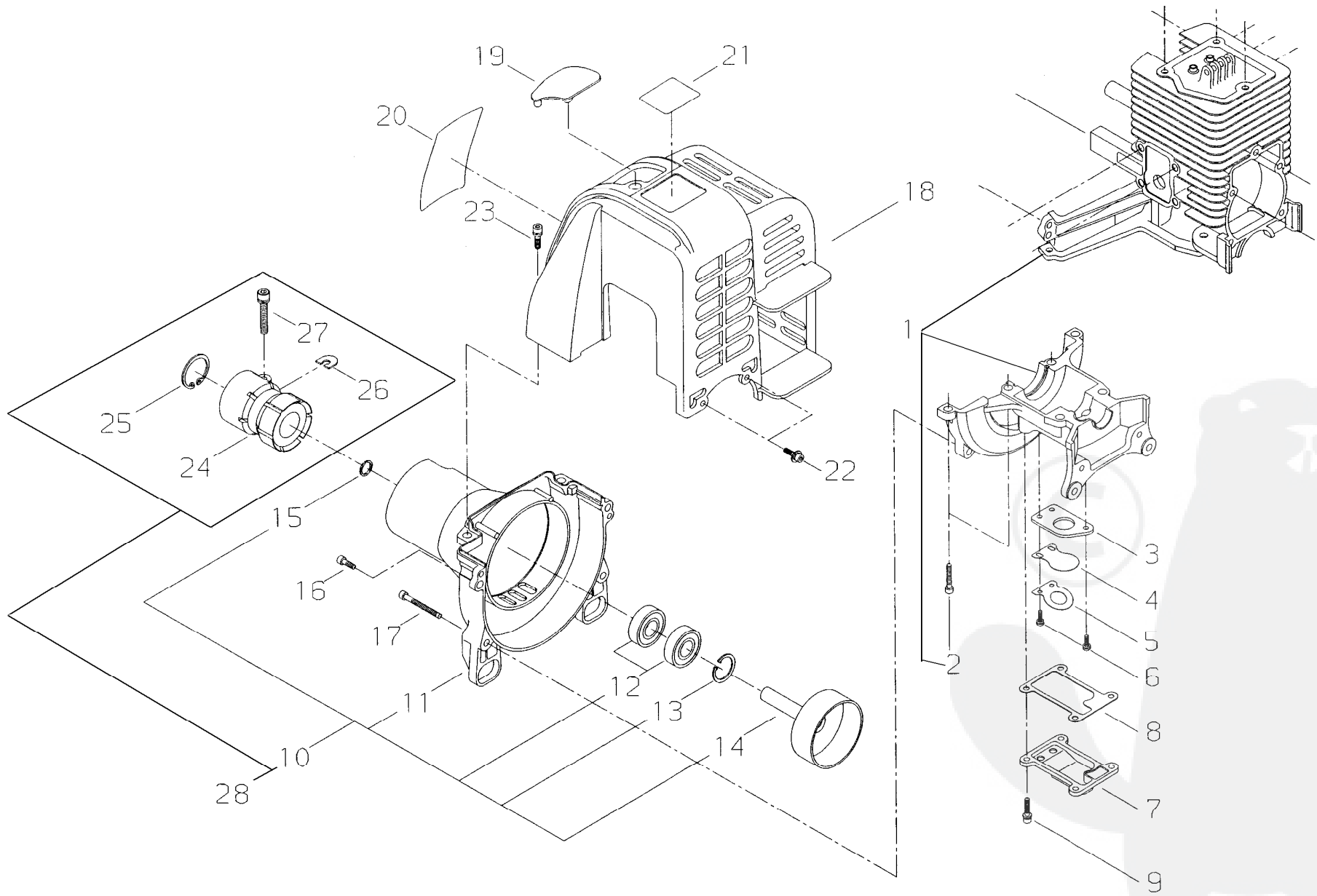
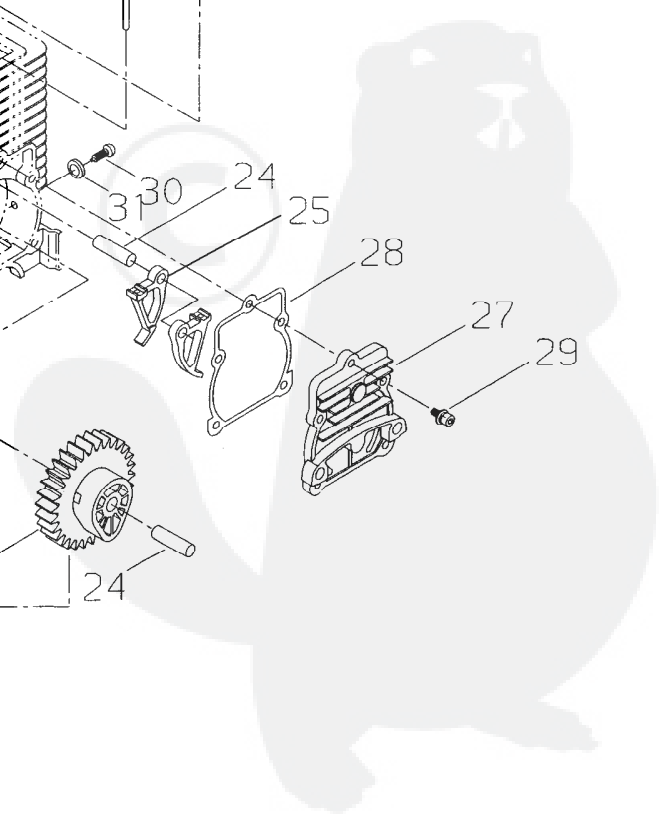
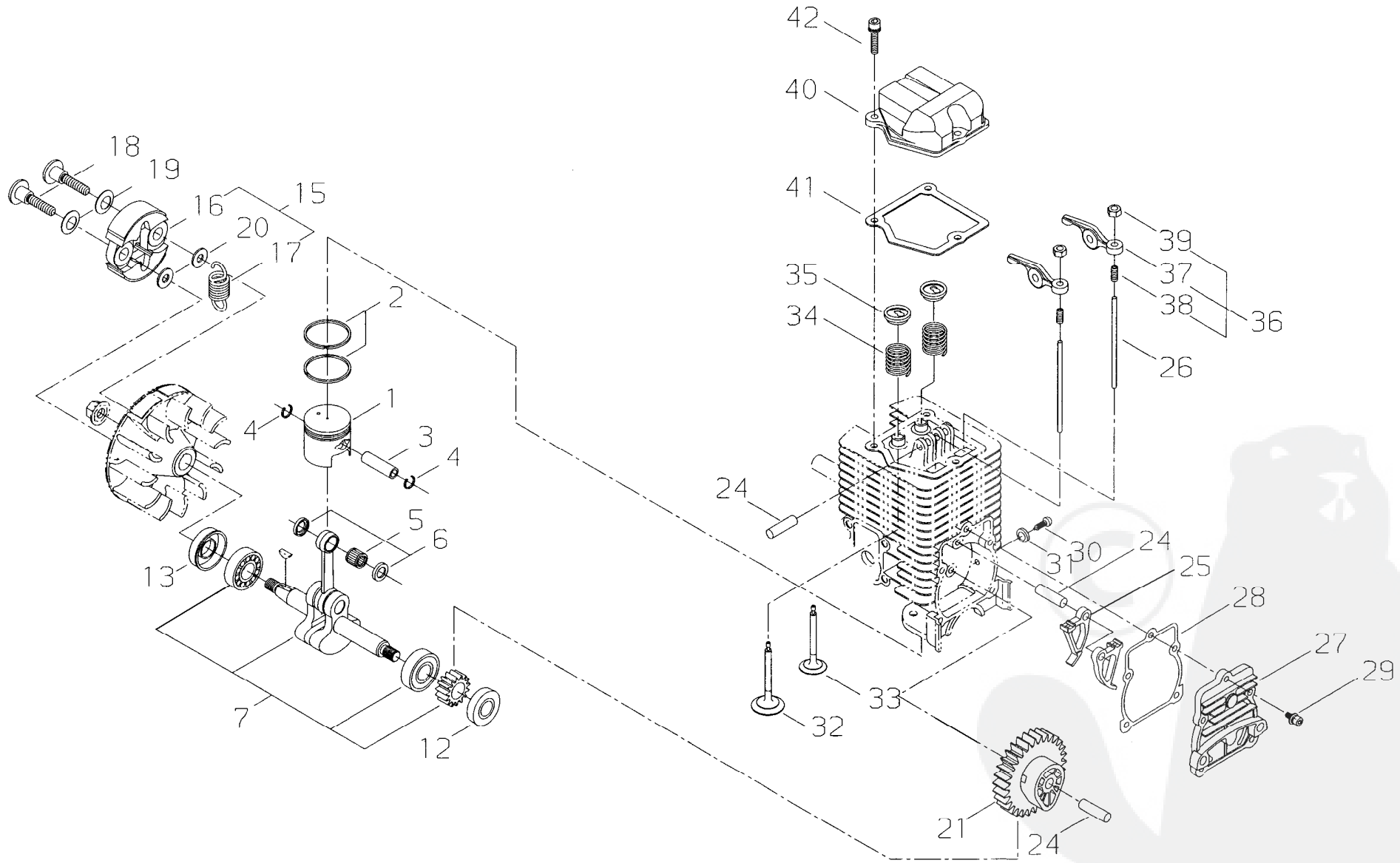


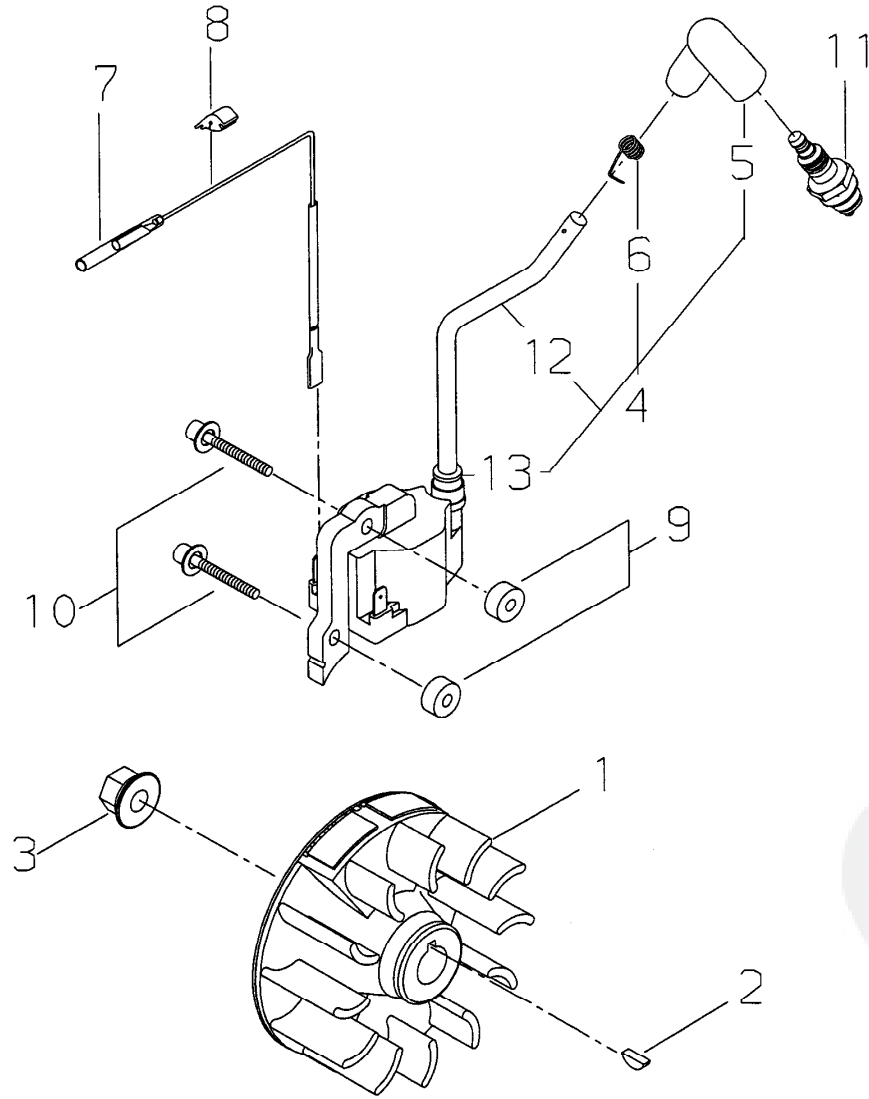
Ref. No	Part No.	Part Name	Q'ty
1- 2	12492-40080	ROLLER	2
3	62902-12310	LEADVALVE	1
	62902-12320	DEFECTORHEATCOMP	1
4	62901-12320	*DEFECTORHEAT	1
5	62901-12220	*GASKET	2
6	14350-01101	LEADWIRE	1
7	62901-83310	BRACKETTHROTTLECABLE	1
8	62902-83310	CABLEADJUSTER	1
9	01501-06048	NUT	1
10	11206-05220	SCREWPMSPW	4
11	62903-15010	MUFFLERASSY	1
12	62902-15110	*MUFFLER	1
14	62902-15160	*EXHAUSTOUTLET	1
15	11204-04060	*SCREWPM	2
16	62901-15210	GASKETMUFFLER	1
17	62901-15310	BOLT	2
18	01020-05160	BOLT	1
19	01610-05080	WASHER	3



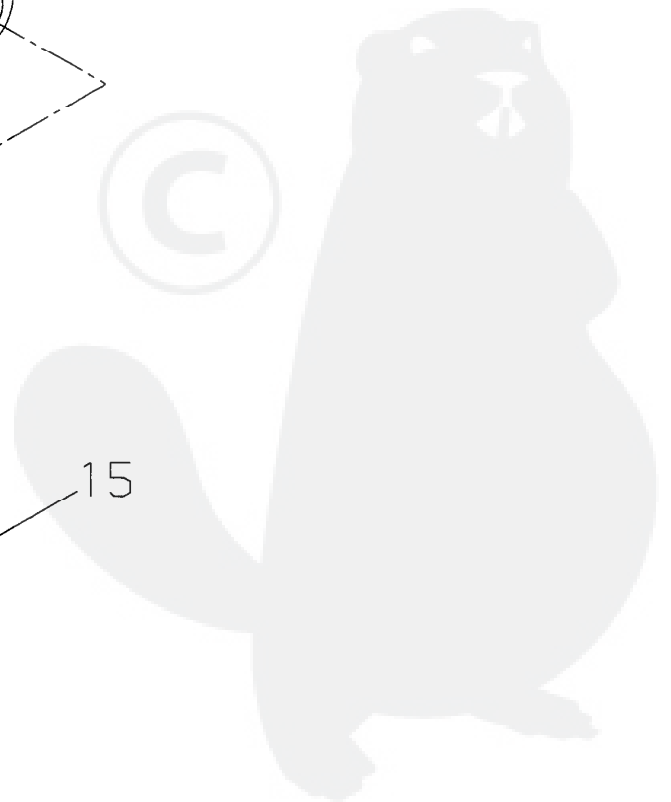
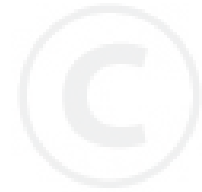
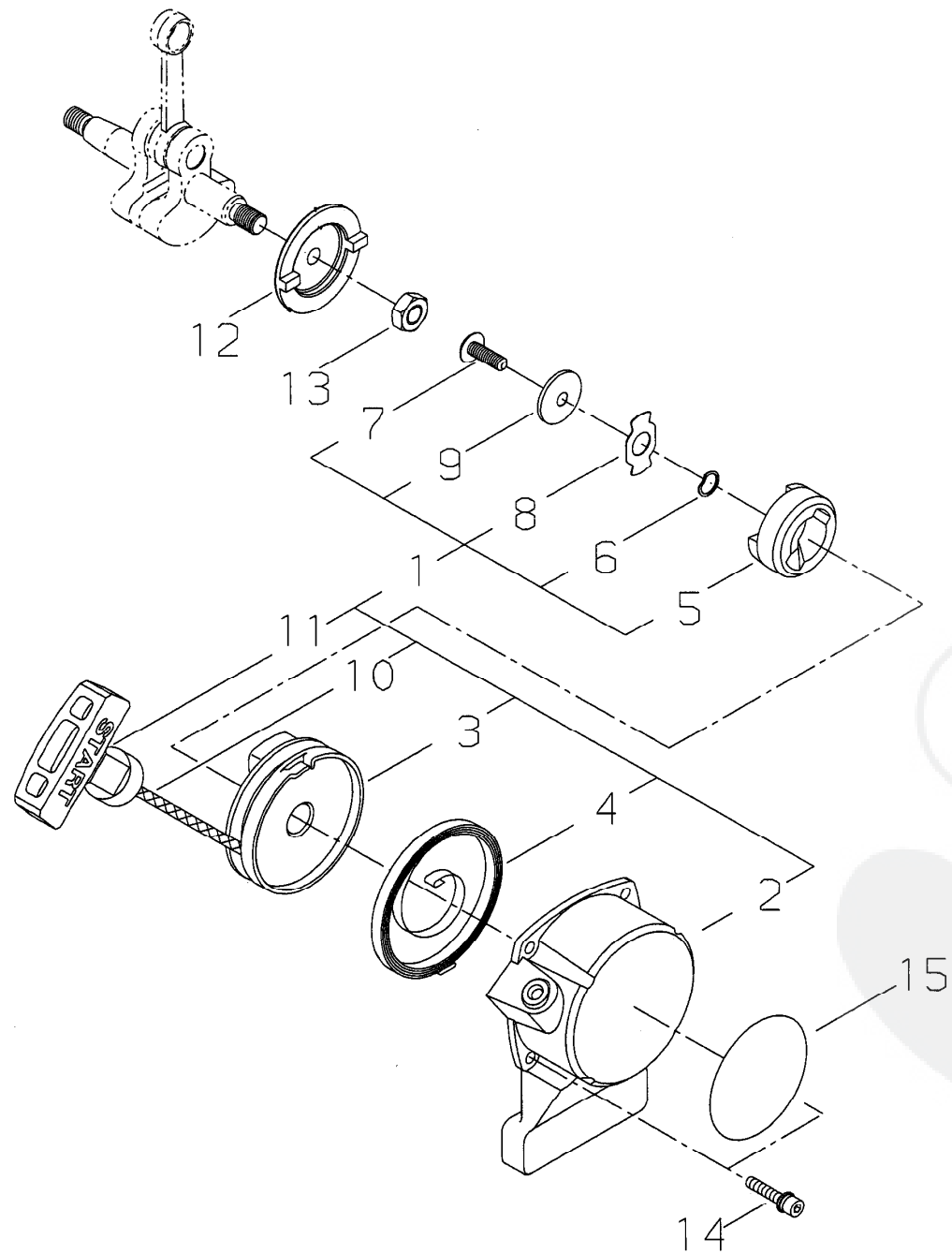
2-1	60902-98010	CYLINDERBLOCKSET	1
2	01020-05160	*BOLT	6
	62902-21310	REEDVALVESET	1
3	62901-21320	*INSULATOR	1
4	72320-83121	*VALVE	1
5	72320-83132	*STOPPER	1
6	01211-03100	*SCREWSW	3
7	62901-21120	COVER	1
8	62901-21130	GASKET	1
9	11022-04120	BOLTSW	4
28	60902-98020	FANCOVERASSY	1
10	62901-31011	*FANCOVERCOMP	1
11	62901-31111	**FANCOVER	1
12	02002-06000	**BEARING	2
13	02432-26120	**SNAPRING	1
14	20087-31211	**CLUTCHDRUM	1
15	22000-13320	**SNAPRING	1
24	20087-31410	*JOINT	1
25	02432-40170	*SNAPRING	1
26	20018-31460	*SHIM	1
27	11020-05220	*BOLTSW	1
16	01020-05160	BOLT	2
17	01020-05350	BOLT	2
18	62901-32111	CYLINDERCOVER	1
19	62901-32311	GROMMET	1
20	19420-00071	LABELTRADE	1
21	62901-91030	LABELTRADE	1
22	11024-04160	BOLTSLPW	2
23	11024-04160	BOLTSLPW	2



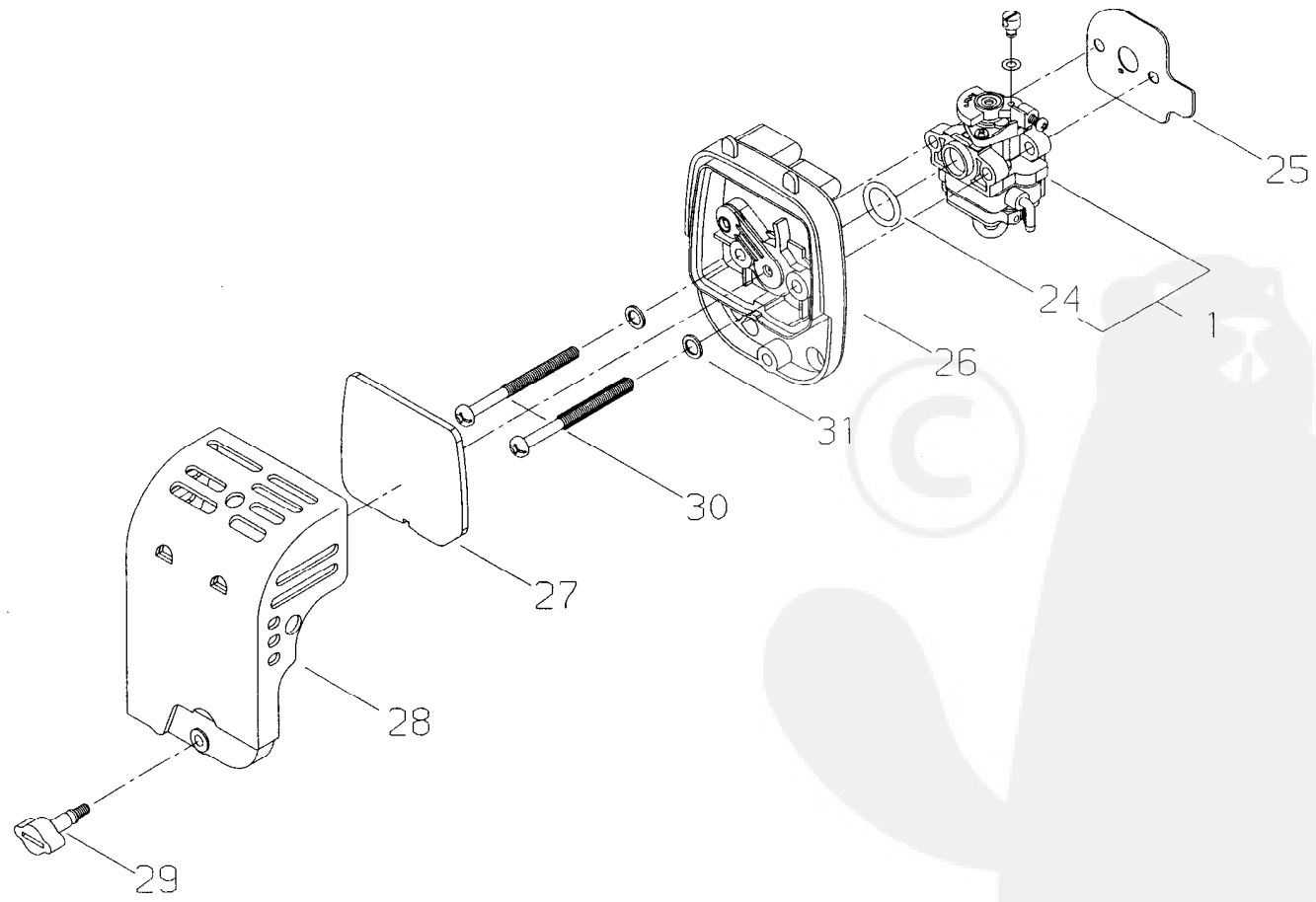
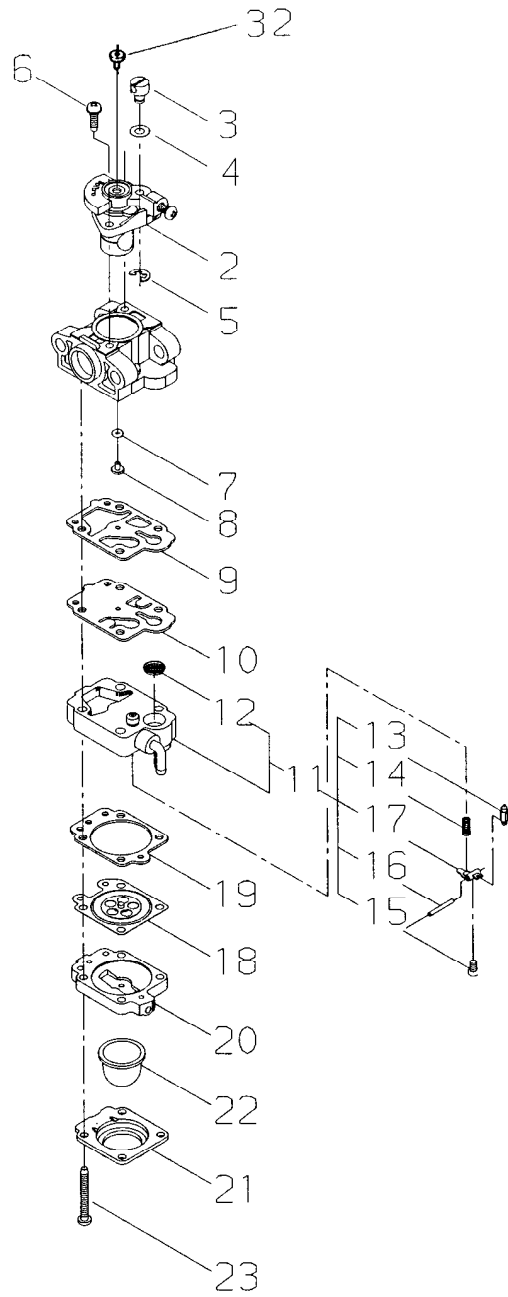
3-	62902-41310	PISTONSET	1
1	62902-41110	*PISTON	1
2	62902-41120	*PISTONRING	2
3	62901-41210	*PISTONPIN	1
4	20000-41320	*SNAPRING	2
5	62901-41230	*NEEDLEBEARING	1
6	37019-41240	*THRUSTWASHER	2
7	62902-42020	CRANKSHAFTCOMP	1
12	62901-42260	OILSEAL	1
13	62901-42270	OILSEAL	1
15	62901-51021	CLUTCHSHOEASSY	1
16	70140-51113	*CLUTCHSHOE	2
17	70140-51220	*CLUTCHSPRING	1
18	20087-51210	BOLT	2
19	20087-51231	SPRINGPLATE	2
20	22100-71430	WASHER	2
21	62902-43310	CAMGEAR	1
24	12492-50290	SHAFT	3
25	62901-43210	CAMFOLLOWER	2
26	62901-43220	PUSHROD	2
27	62901-43330	CAMGEARCOVER	1
28	62901-43240	GASKET	1
29	11022-04140	BOLTSPW	5
30	62901-43310	SCREW	1
31	15401-10028	COLLAR	1
32	62902-44110	INTAKEVALVE	1
33	62902-44120	EXHAUSTVALVE	1
34	62901-44130	VALVESPRING	2
35	62901-44140	RETAINER	2
36	62901-44010	ROCKERARMSSY	2
37	62901-44210	*ROCKERARM	2
38	62901-44220	*ADJUSTMENTSCREW	2
39	62901-44230	*NUT	2
40	62901-44240	ROCKERARMCOVER	1
41	62901-44250	GASKET	1
42	11022-04140	BOLTSPW	3



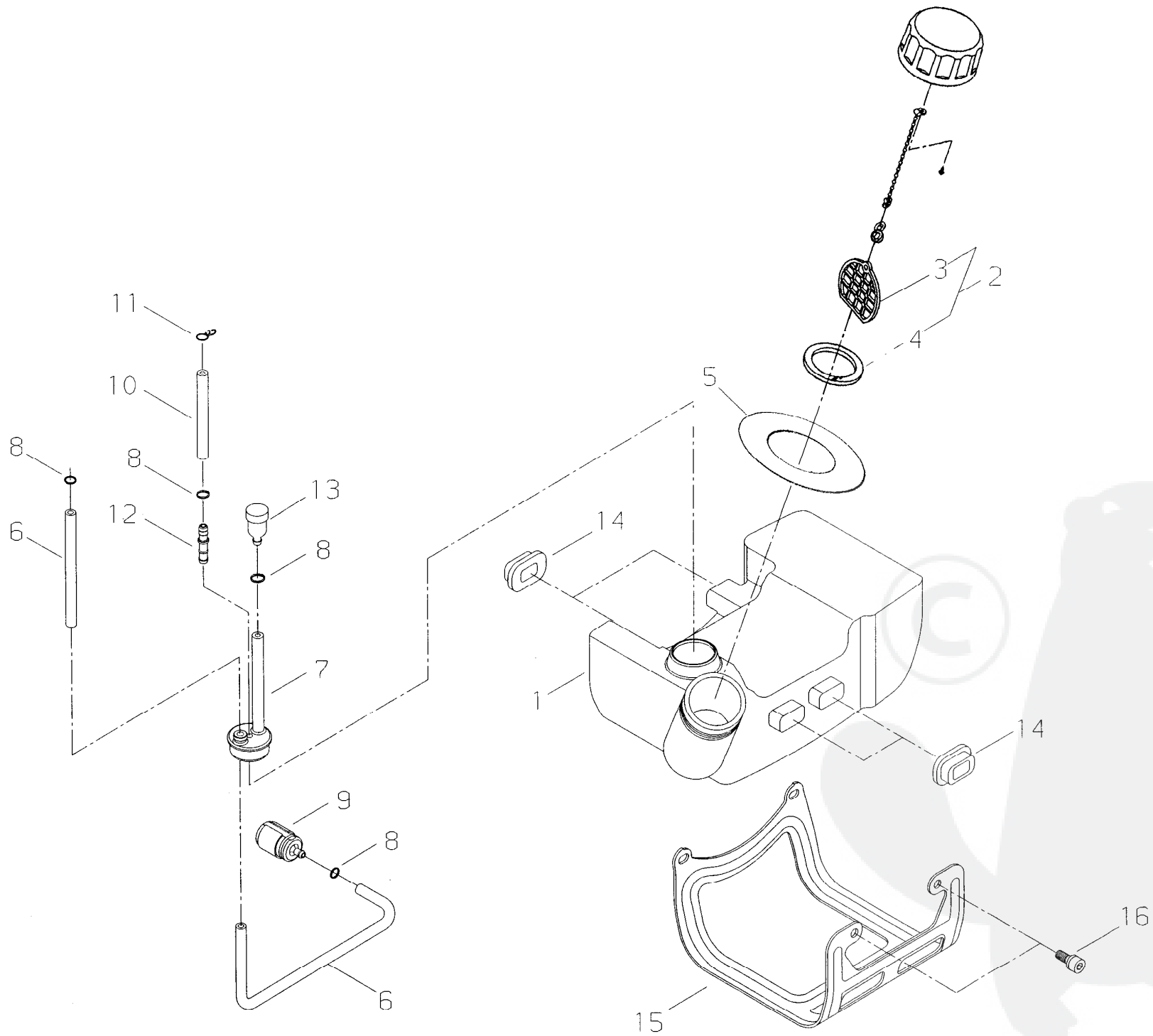
4-1	20016-71200	ROTOR	1
2	02403-03100	KEY	1
3	20035-71220	NUT	1
4	62902-71310	COILASSY	1
5	62901-71250	*PLUGCAP	1
6	22154-72230	*SPRINGPLUG	1
12	62901-71220	*CORD	1
13	20077-71630	*CAP	1
7	14350-01700	LEADWIRE	1
8	62901-71310	GROMMET	1
9	70030-71620	INSULATOR	2
10	11024-04261	BOLTSLPW	2
11	RZ7C	SPARKPLUG	1



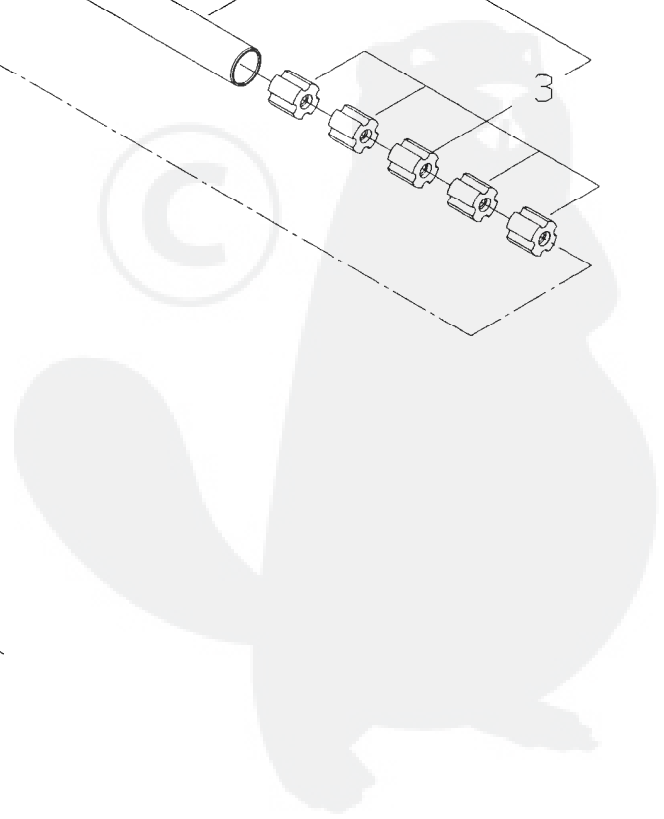
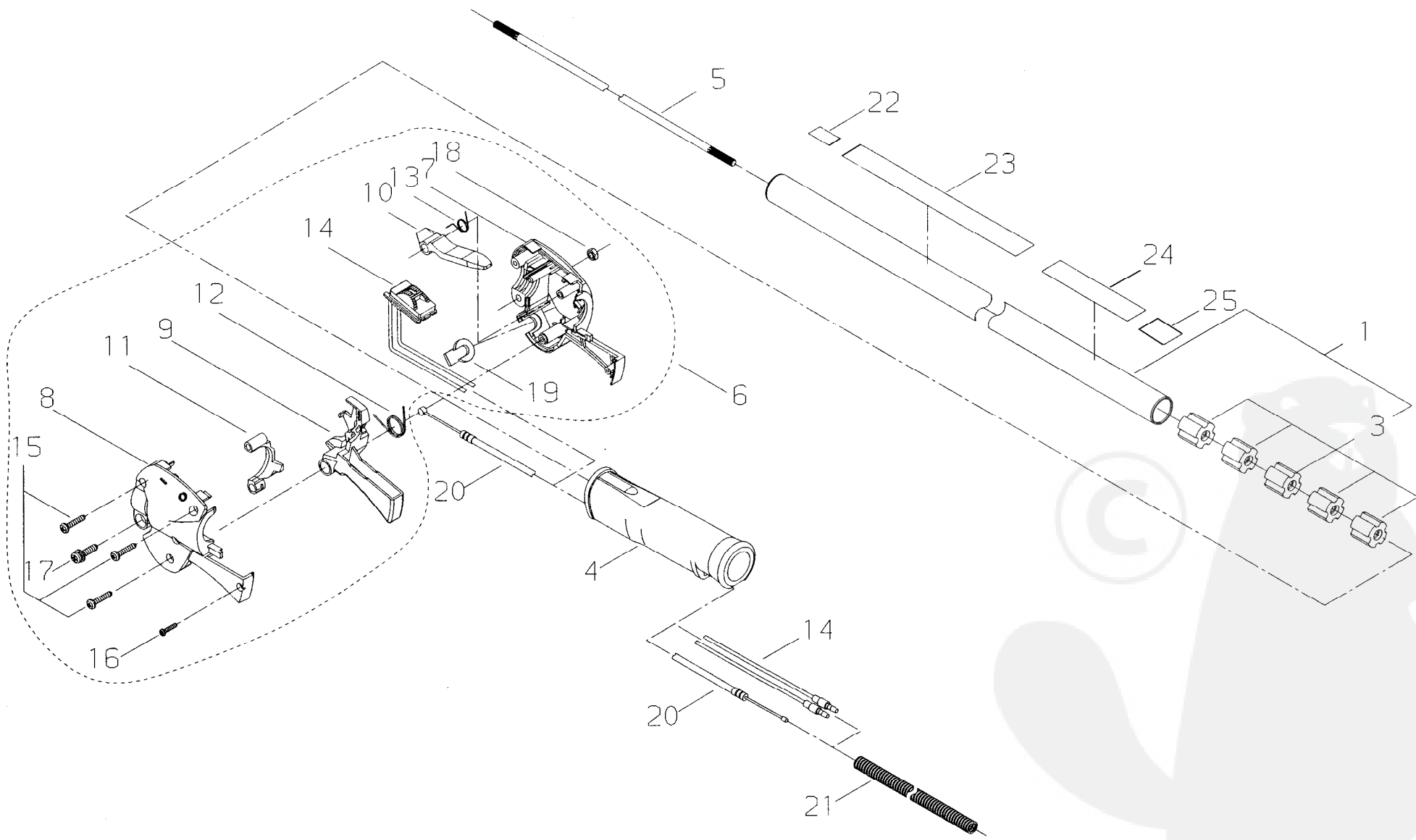
5- 1	62901-75012	RECOILSTARTERASSY	1
2	62901-75111	*STARTERCASE	1
3	62901-75120	*REEL	1
4	70064-75130	*RECOILSPRING	1
5	62901-75310	*DOG	1
6	70064-75150	*WAVEWASHER	1
7	72933-75160	*SCREW	1
8	72933-75170	*RETAINER	1
9	72933-75180	*WASHER	1
10	32004-75140	*ROPE	1
11	32004-75150	*KNOB	1
12	70064-75310	STARTERPULLEY	1
13	01511-08051	NUT	1
14	11024-04160	BOLTSLPW	2
15	19420-00070	NAMEPLATE	1



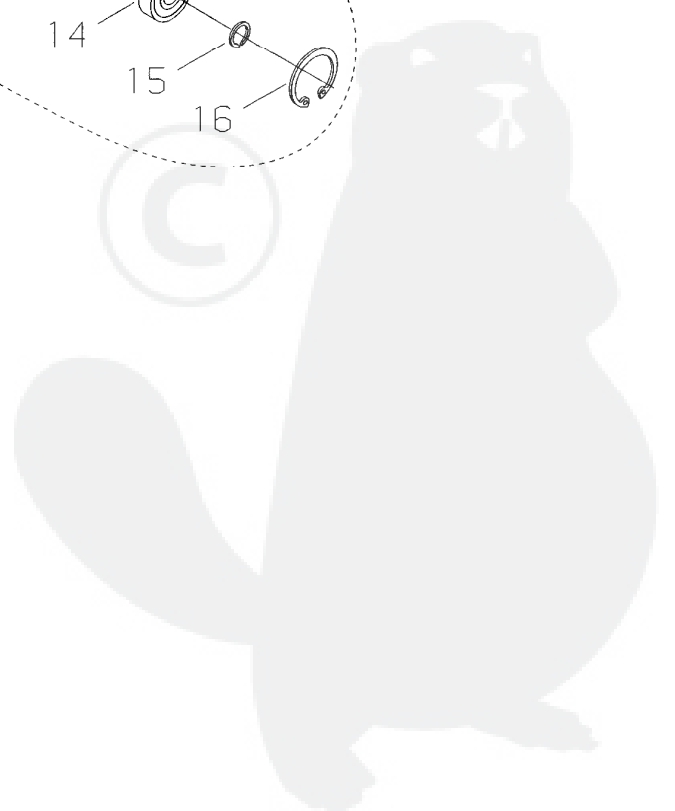
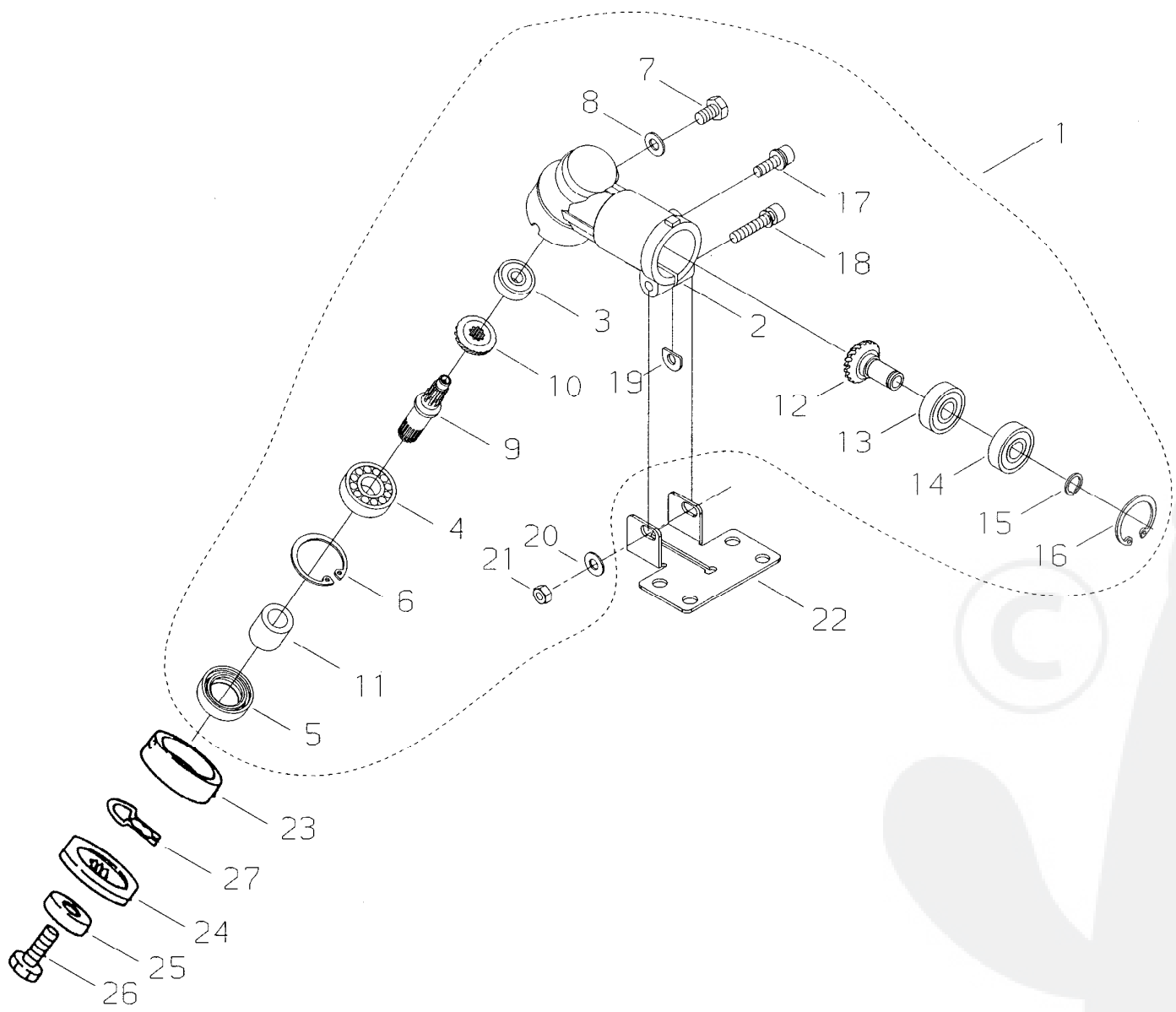
6-1	62903-81010	CABURETORASSY	1
2	62901-81320	*VALVE	1
32	22154-81270	*PLUG	1
3	72933-81450	*SWIVEL	1
4	20089-81185	*WASHER	1
5	20036-81195	*ERING	1
6	70064-81290	*SCREW	1
7	70097-81220	*ORING	1
8	62901-81340	*MAINJET	1
9	70097-81310	*GASKETPUMP	1
10	70097-81320	*DIAPHRAGM	1
11	37013-81350	*PUMPBODYASSY	1
12	70030-81380	**SCREEN	1
13	20036-81440	**NEEDLEVALVE	1
14	72933-81270	**SPRING	1
15	20016-81450	**SCREW	1
16	22100-81250	**PIN	1
17	22100-81230	**LEVER	1
18	37013-81310	*DIAPHRAGM	1
19	20016-81280	*GASKET	1
20	20016-81420	*PUMPBASECOMP	1
21	20016-81510	*PUMPCOVER	1
22	20036-81670	*PRIMERPUMP	1
23	20016-81140	*SCREW	4
24	20016-81250	*ORING	1
25	62901-81211	GASKET	1
26	62901-82011	AIRFILTERBASEASSY	1
27	62902-82120	FILTER	1
	62902-82030	CLEANERCOVERASSY	1
28	62901-82131	*CLEANERCOVER	1
29	62901-82330	*KNOBAIRFILTERCOVER	1
30	11203-05608	SCREWPM5W	2
31	01613-05080	WASHER	2
	60902-98030	GASKETSET	1
9	70097-81310	*GASKETPUMP	1
10	70097-81320	*DIAPHRAGM	1
12	70030-81380	*SCREEN	1
18	37013-81310	*DIAPHRAGM	1
19	20016-81280	*GASKET	1
	60902-98040	VALVESET	1
7	70097-81220	*ORING	1
8	62902-81310	*MAINJET	1
13	20036-81440	*NEEDLEVALVE	1
14	72933-81270	*SPRING	1
15	20016-81450	*SCREW	1
16	22100-81250	*PIN	1
17	22100-81230	*LEVER	1



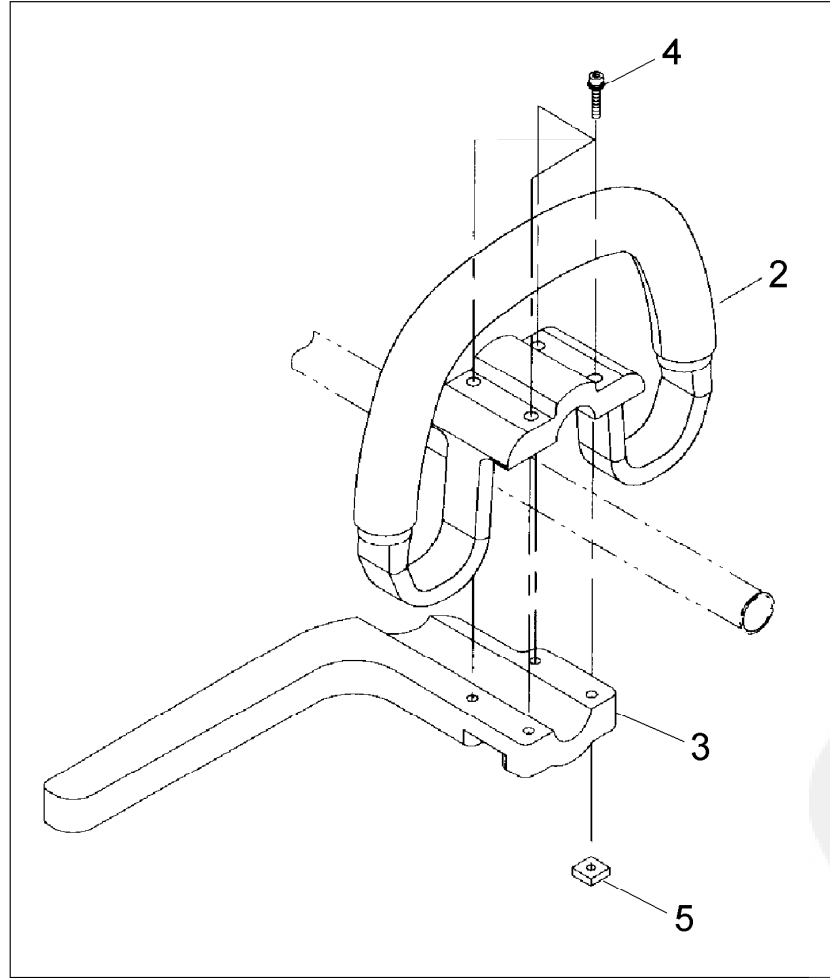
7-	62903-85011	FUELTANKASSY	1
1	62901-85110	*FUELTANK	1
2	70168-85201	*FUELCAPASSY	1
3	70168-85210	**FUELCAP	1
4	20000-85221	**GASKET	1
5	19500-02000	*PLATECAUTION	1
6	62901-85310	*FUELPIPE	1
7	20144-85350	*GROMMET	1
8	20020-85540	*CLIP	4
9	20016-85400	*FUELFILTER	1
10	20112-85360	*PIPE	1
11	37013-85310	*CLIP	1
12	72933-85620	*JOINT	1
13	22197-33960	*VALVE	1
14	62901-85220	TANKCUSHION	4
15	70135-86130	TANKGUARD	1
16	01020-05080	BOLT	2



8- 1	63901-62010	OUTERPIPECOMP	1
3	22035-12120	*BUSH	5
4	63901-62140	GRIP	1
5	22070-12410	MAINSHAFT	1
6	63901-62312	THROTTLELEVERASSY	1
7	63901-62321	*BODYRIGHT	1
8	63901-62332	*BODYLEFT	1
9	63901-62341	*LEVER	1
10	63901-62351	*LOCKLEVER	1
11	63901-62361	*HOLDER	1
12	63880-65350	*COILSPRING	1
13	63901-62370	*COILSPRING	1
14	63901-62380	*SWITCH	1
15	63880-65360	*SCREWTAPPING	3
16	63901-62390	*SCREWTAPPING	1
17	63901-62410	*SCREWSPW	1
18	01501-05030	*NUT	1
19	63880-65411	*PLUG	1
20	63901-62173	THROTTLECABLE	1
21	63901-62440	TUBE	1
22	19402-00236	LABELCAUTION	1
23	19420-00072	LABELTRADE	1
24	19402-00090	LABELCAUTION	1
25	19404-00033	LABELDECIBEL	1

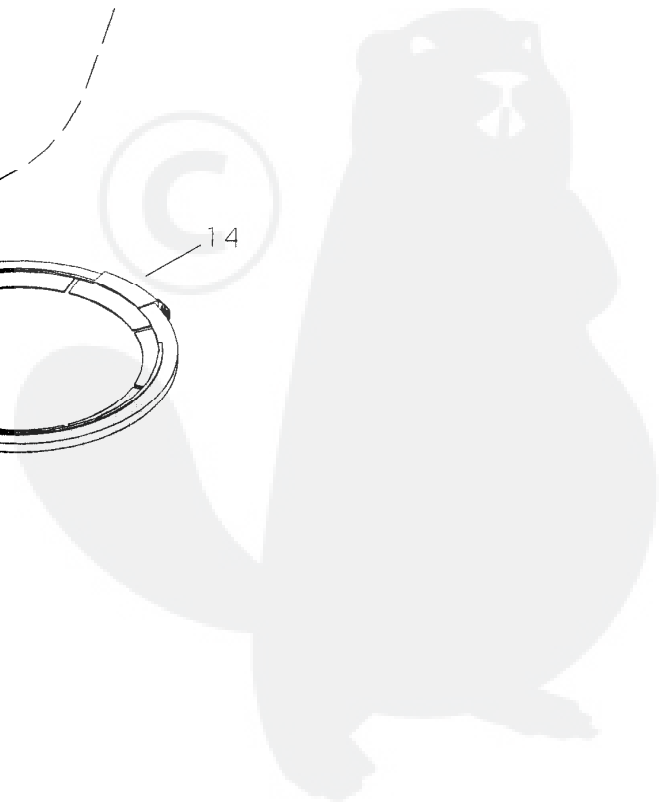
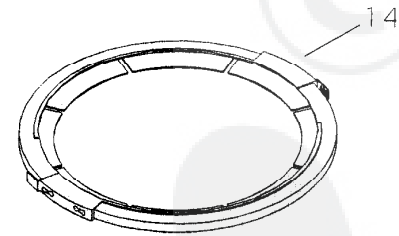
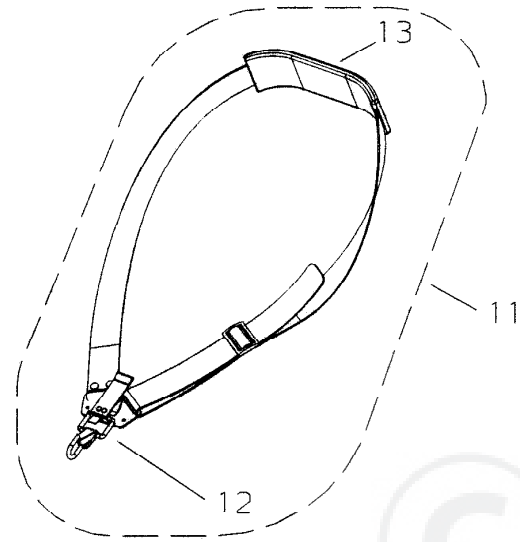
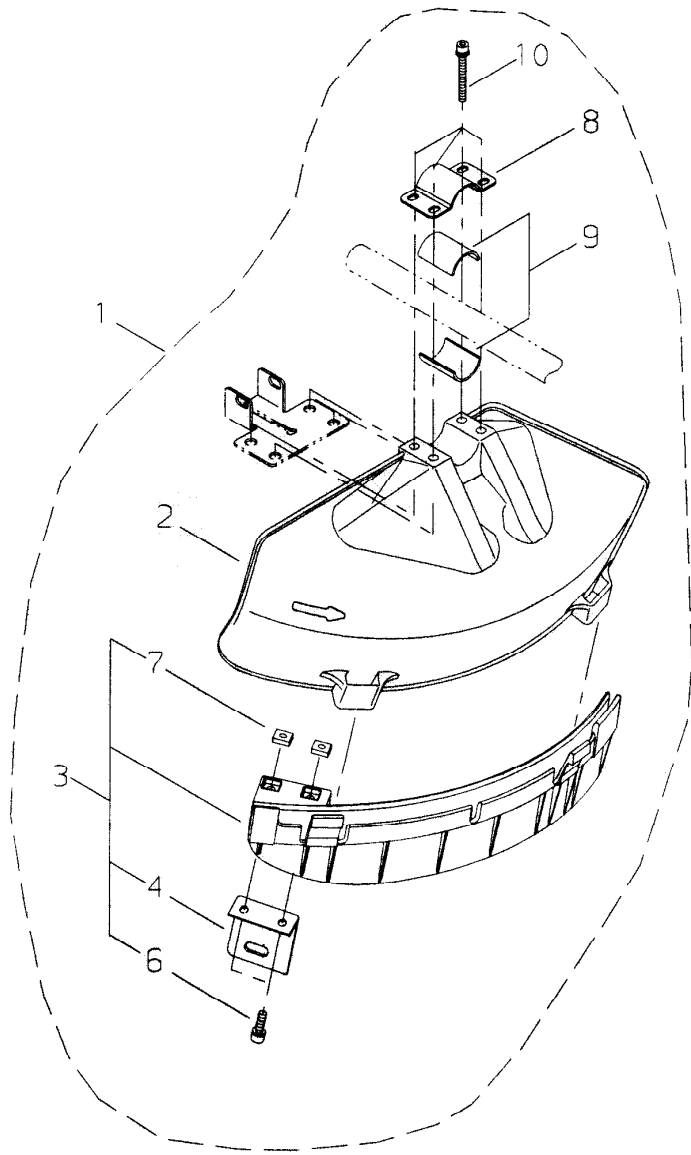


9- 1	63901-63022	GEARCASESUBASSY	1
2	22035-13113	*GEARCASE	1
3	02006-00626	*BEARING	1
4	02000-06000	*BEARING	1
5	22035-13140	*OILSEAL	1
6	02432-26120	*SNAPRING	1
7	01014-06100	*BOLT	1
8	22000-13410	*GASKET	1
9	37013-63130	*GEARSHAFT	1
10	22035-13220	*BEVELGEAR	1
11	22035-13230	*COLLAR	1
12	22035-13391	*PINIONSET	1
13	02000-00608	*BEARING	1
14	02002-00608	*BEARING	1
15	22035-13340	*SNAPRING	1
16	02432-22100	*SNAPRING	1
17	11022-05160	*BOLTSPW	1
18	11023-05250	*BOLT SW	1
19	22000-13420	*SHIM	1
20	01613-05080	WASHER	1
21	01500-05041	NUT	1
22	72480-16130	LOWERCLAMP	1
23	22035-13242	HOLDERA	1
24	65011-63171	HOLDER	1
25	37013-63311	BOLTGUARD	1
26	22035-13271	BOLT	1
27	22410-13530	SLIDECLIP	1

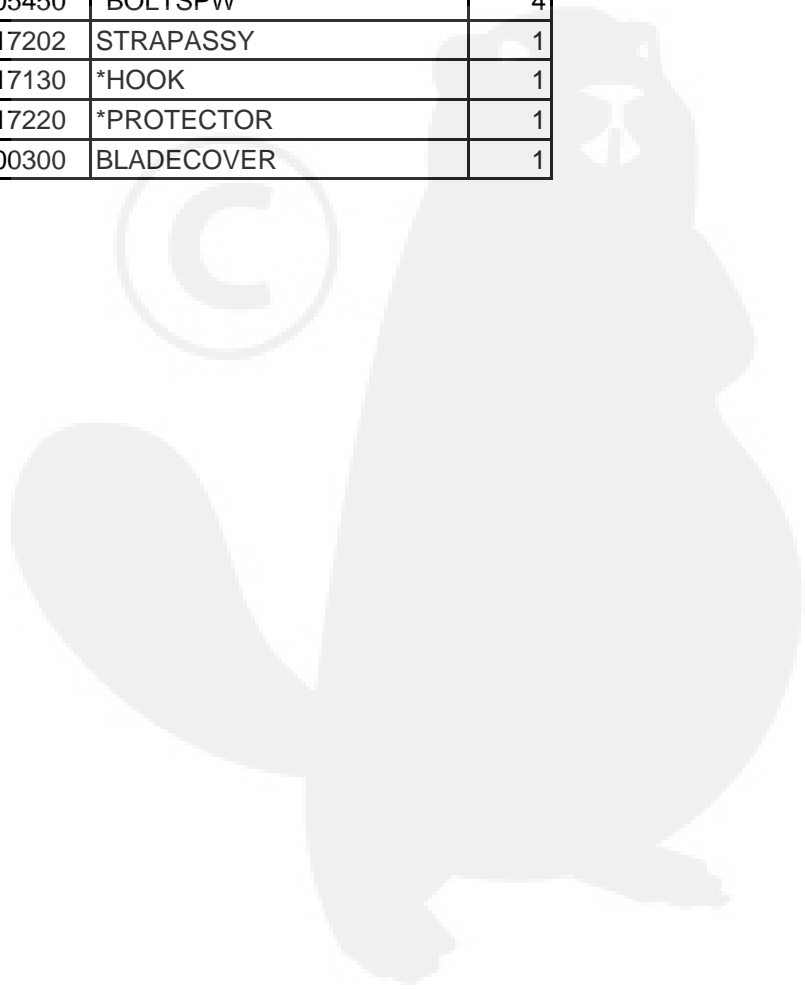


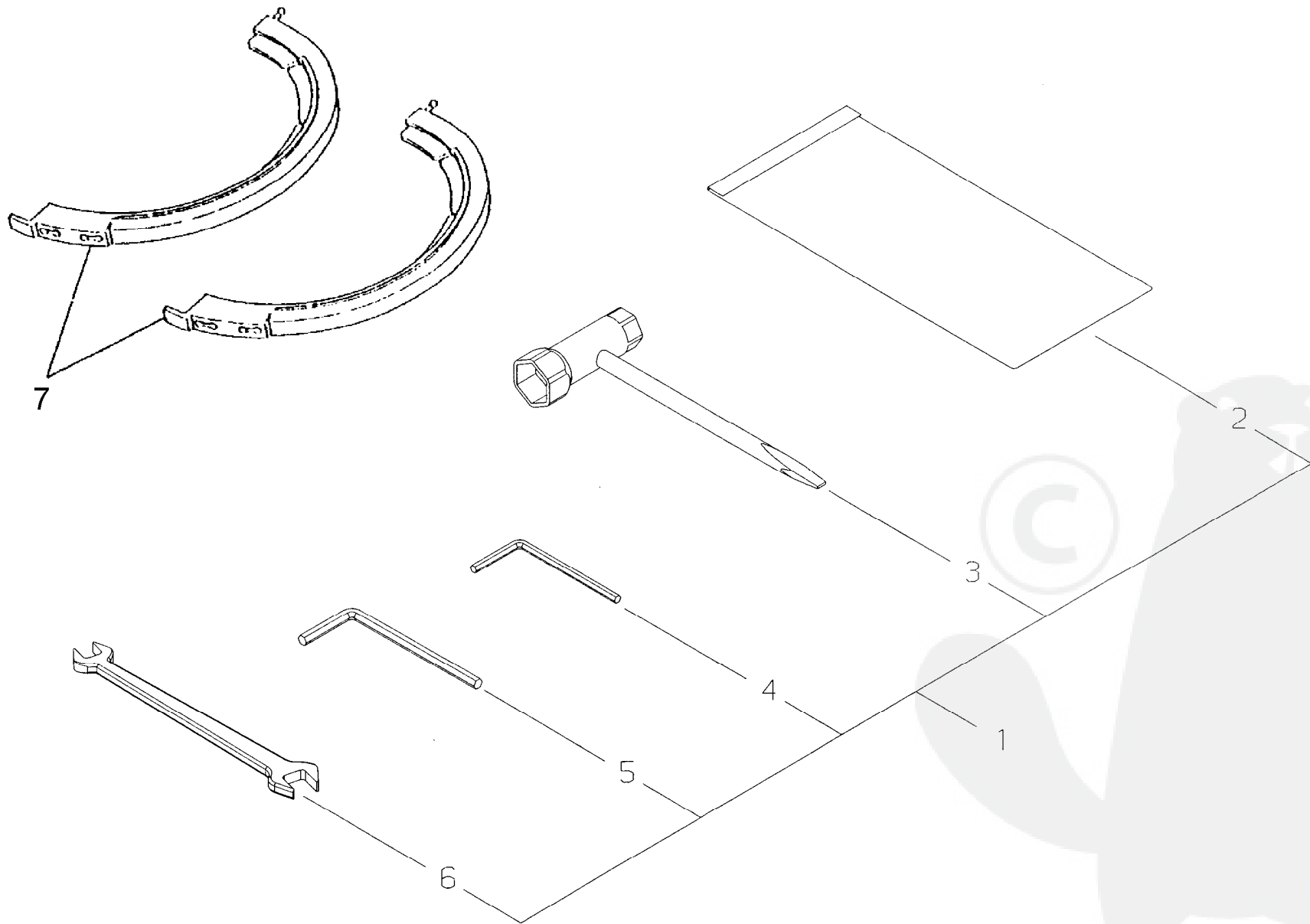
10- 1	65011-64010	HANDLEASSY	1
2	62901-64112	*HANDLE	1
3	65011-64120	*BARRIER	1
4	11022-05350	*BOLTSPW	4
5	22420-16120	*NUT	4



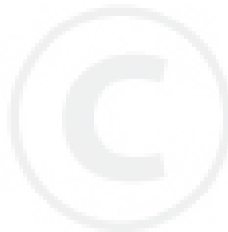


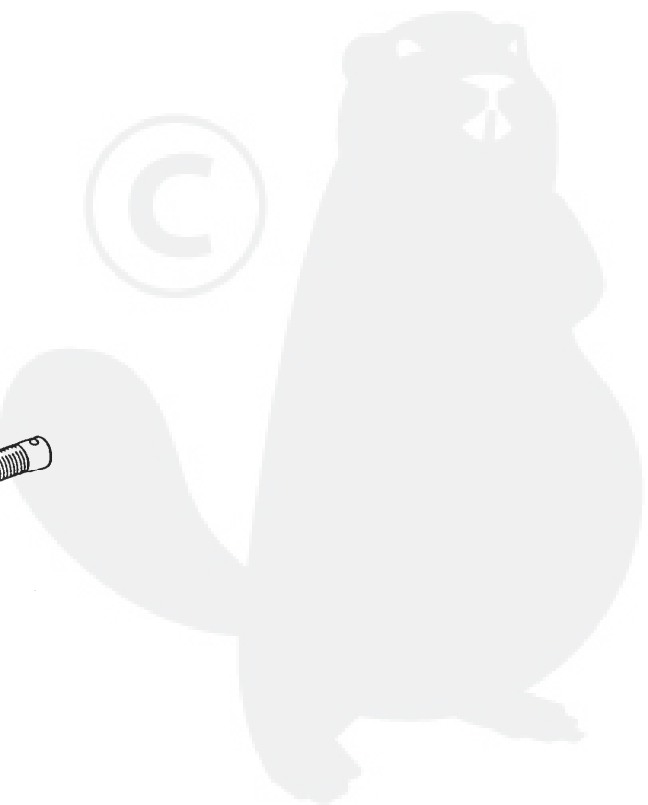
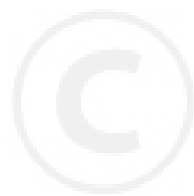
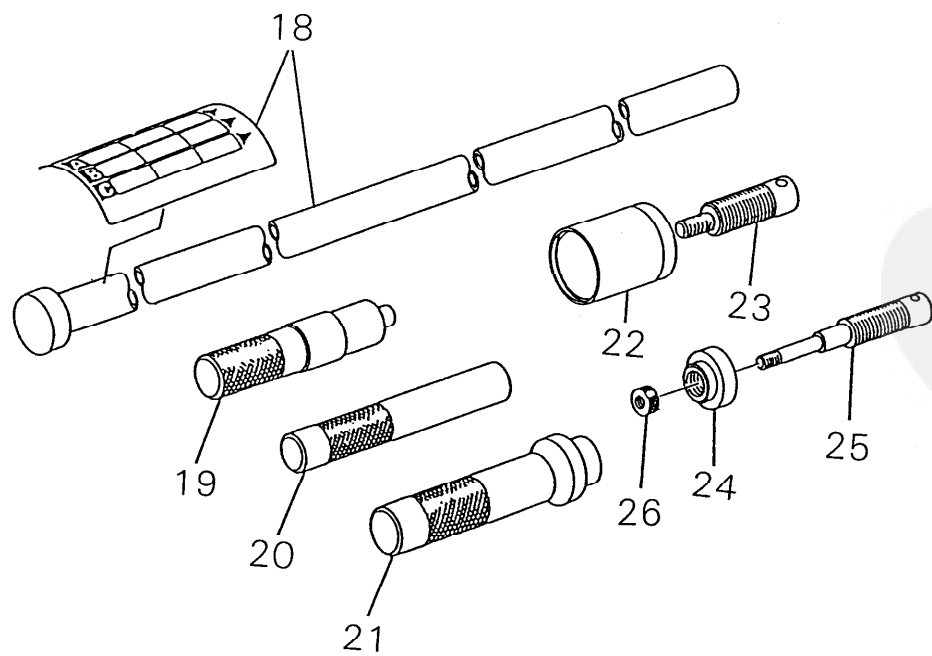
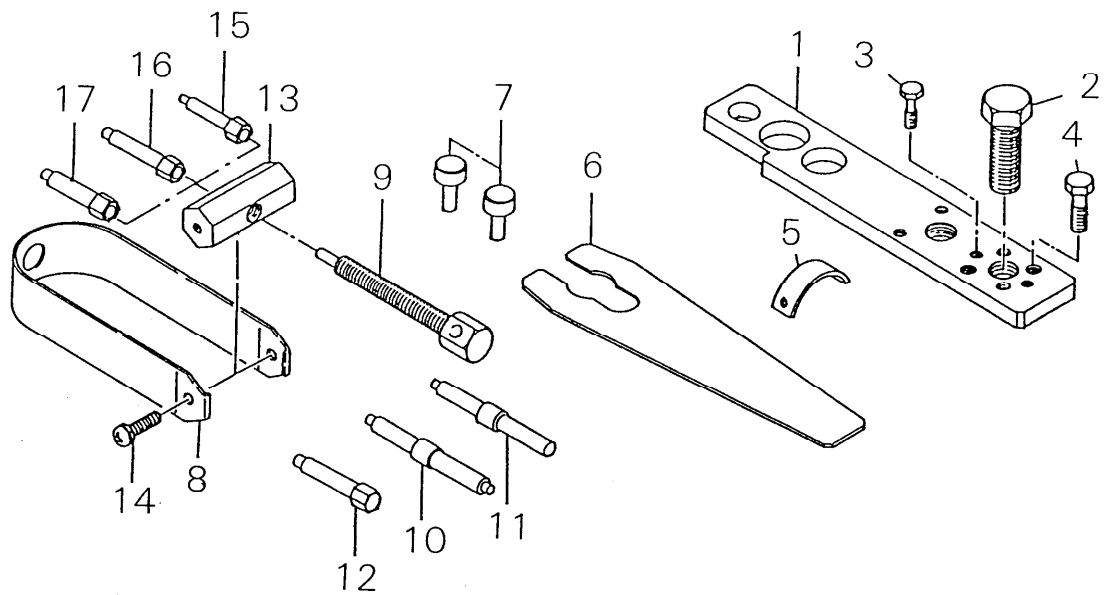
11- 1	62903-66320	GUARDSET	1
2	62903-66110	*GUARD	1
3	62903-66330	*SUBGUARDASSY	1
4	72480-16121	**CUTTER	1
6	11020-05160	**BOLTSW	2
7	22420-16120	**NUT	2
8	72480-16210	*UPPERCLAMP	1
9	72480-16220	*SPACER	1
10	11022-05450	*BOLTSPW	4
11	22421-17202	STRAPASSY	1
12	22421-17130	*HOOK	1
13	22007-17220	*PROTECTOR	1
14	19601-00300	BLADECOVER	1





12- 1	62901-92010	TOOLSET	1
2	19639-01401	*POLYBAG	1
3	22580-91180	*PLUGWRENCH	1
4	09026-03001	*HEXAWRENCH	1
5	09026-04001	*HEXAWRENCH	1
6	22000-91120	*SPANNER	1
7	19601-00300	BLADECOVER	1





13-	20000-96104	PULLERASSY	1
1	20000-96114	*LEVER	1
2	22100-96121	*CENTERBOLT	1
3	20000-96130	*BOLT	3
4	20000-96140	*BOLT	2
5	20000-96210	AIRGAPGAUGE	1
6	20000-96411	ROTORSPANNER	1
7	20021-96420	STOPPER	2
	20021-96601	PULLERASSY	1
8	20021-96611	*PULLER	1
9	20021-96621	*BOLT	1
10	20000-96631	*GUIDEPIN	1
11	20035-96630	*GUIDEPIN	1
12	20021-96630	*GUIDEPIN	1
13	20000-96640	*BOSS	1
14	01211-06120	*SCREWSW	2
15	20021-96650	*PINADAPTER	1
16	20021-96660	*PINADAPTER	1
17	20021-96670	*PINADAPTER	1
18	22000-96101	RODBUSHINGASSY	1
19	22035-96210	ROD626DDU	1
20	22035-96310	ROD608ZZ	1
21	22035-96410	ROD6000	1
	22035-96500	PULLERSUBASSY	1
22	22035-96510	*PULLER	1
23	22035-96520	*BOLT	1
	22035-96600	PULLERSUBASSY	1
24	22035-96610	*HOLDER	1
25	22000-96621	*BOLT	1
26	22000-96630	*NUT	1