

# EB600RT

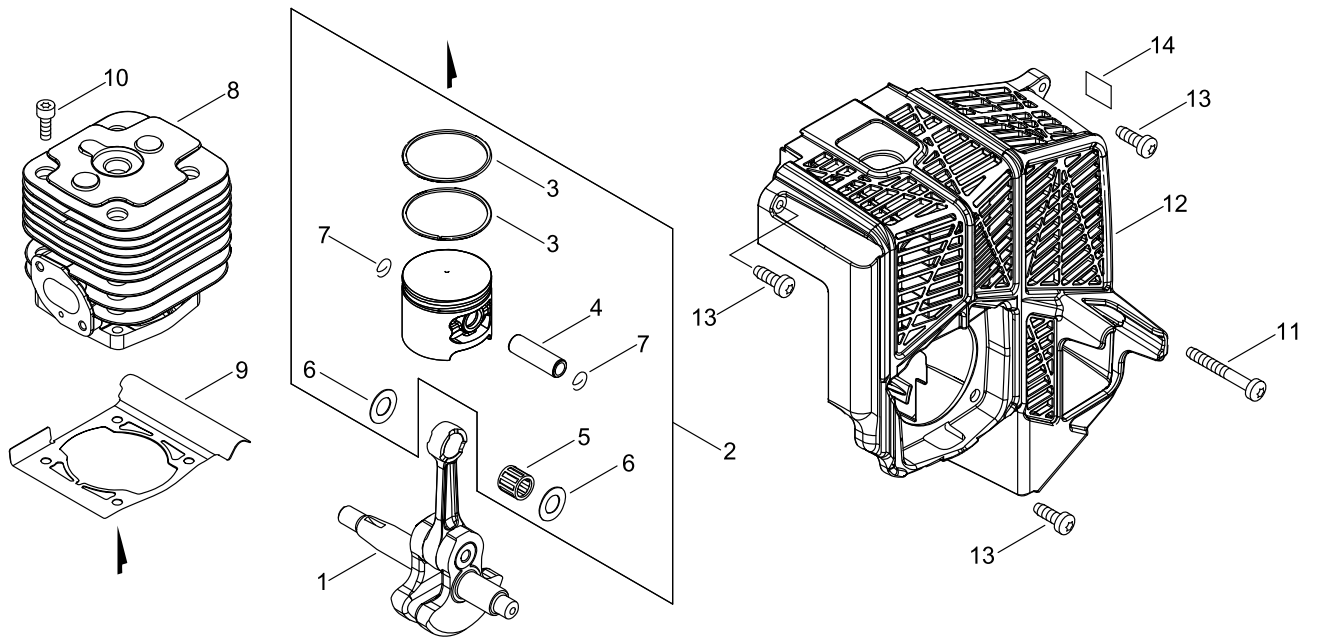
Published:08/08/2016

## TABLE OF CONTENTS

---

CYLINDER, PISTON, CRANKSHAFT.....	1
CRANKCASE .....	3
MAGNETO.....	5
AIR CLEANER, CARBURETOR.....	7
CARBURETOR.....	9
FUEL TANK.....	11
MUFFLER .....	13
RECOIL STARTER, PULLY .....	15
FAN CASE .....	17
BACKPACK HARNESS .....	19
THROTTLE .....	21
PIPE.....	23
ACCESSORIES .....	25

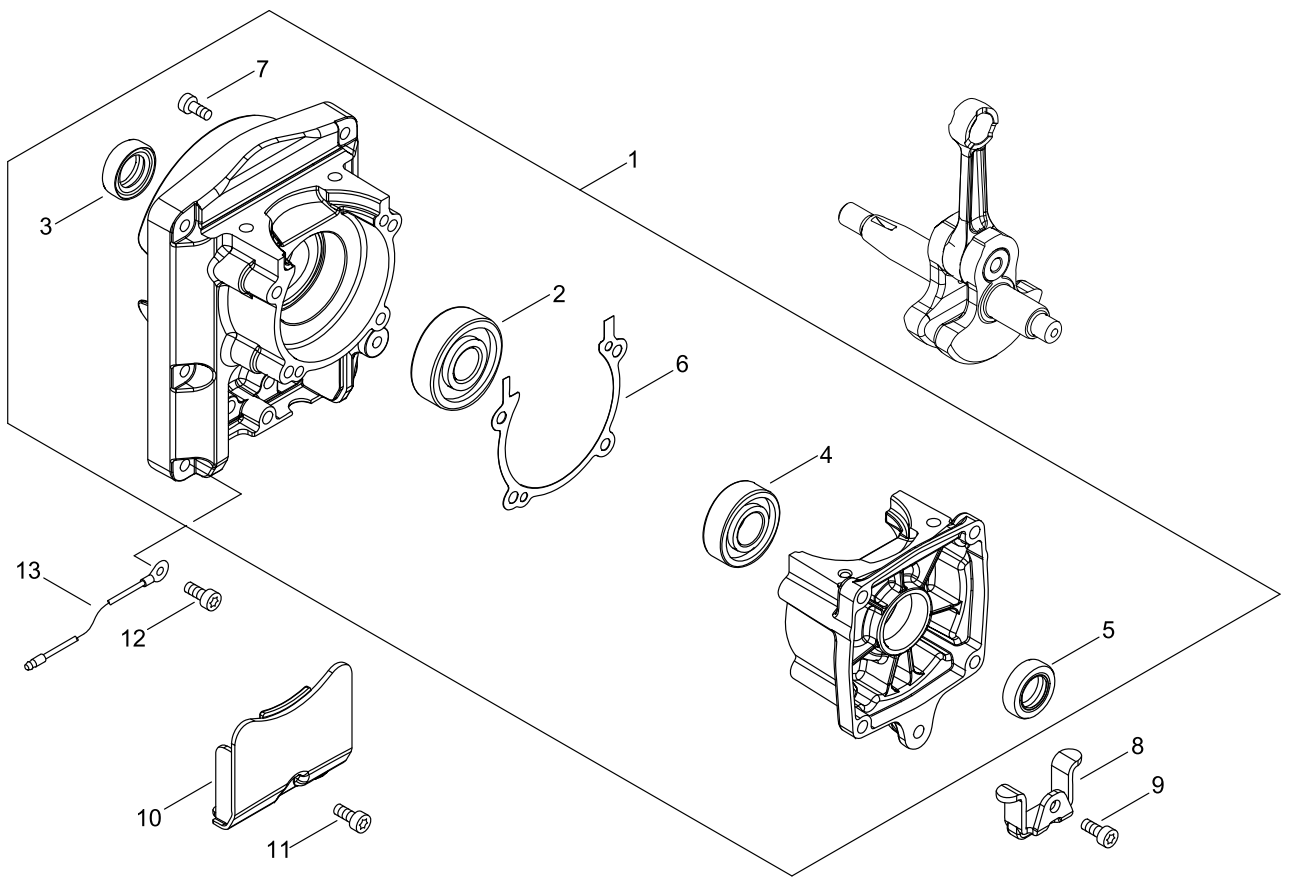
# CYLINDER, PISTON, CRANKSHAFT



## CYLINDER, PISTON, CRANKSHAFT

KEY NO	LV(+)	Part No	Description	Qty	Standard
1		A011-001390	CRANKSHAFT,ASY	1	
2		P021-048140	PISTON KIT	1	
3	+	100011-32330	RING, PISTON	2	
4	+	V608-000000	PIN,ENG 10	1	
5	+	V555-000010	BEARING,NEEDLE 10	1	
6	+	100014-17330	SPACER, PISTON PIN	2	
7	+	V580-000010	RING,END	2	10
8		A130-002250	CYLINDER	1	46 4TW
9		V100-000811	GASKET,CYL	1	T=0.5
10		V805-000210	BOLT, TORX 5	4	TB-5*20 12.9
11		V805-000040	BOLT, TORX 5	1	TT-5*55 DG 10.9
12		A190-001500	COVER,ENGINE	1	
13		V805-000010	BOLT, TORX 5	3	TT-5*20 DG 10.9
14		X505-002310	LABEL,CAUTION	1	HOT CAUTION

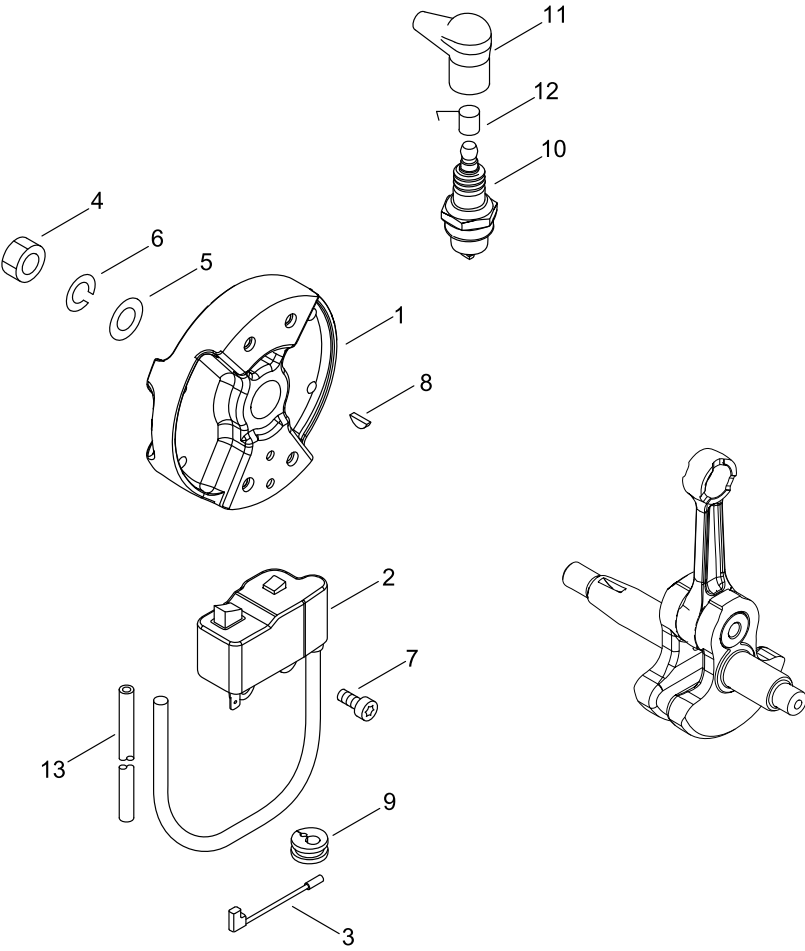
# CRANKCASE



## CRANKCASE

KEY NO	LV(+)	Part No	Description	Qty	Standard
1		P021-048151	CRANKCASE SET	1	
2	+	94000-36302	BALL BEARING 6302 C3	1	
3	+	100213-00310	OILSEAL	1	ISCD 15 25 7
4	+	900810-36202	BEARING, BALL 6202	1	6202/C3
5	+	V508-000100	SEAL,OIL 15	1	ISCD 15*25*7
6	+	V102-000270	GASKET,CRANKCASE	1	T=0.3
7	+	V805-000180	BOLT, TORX 5	4	TB-5*30 12.9
8		V401-000600	CUSHION,5	1	
9		V805-000140	BOLT, TORX 5	1	TB-5*12 10.9
10		A127-000420	COVER,DUST	1	
11		V805-000250	BOLT, TORX 5	1	TB-5*16 12.9
12		V805-000180	BOLT, TORX 5	6	TB-5*30 12.9
13		V485-002770	LEAD	1	

# MAGNETO

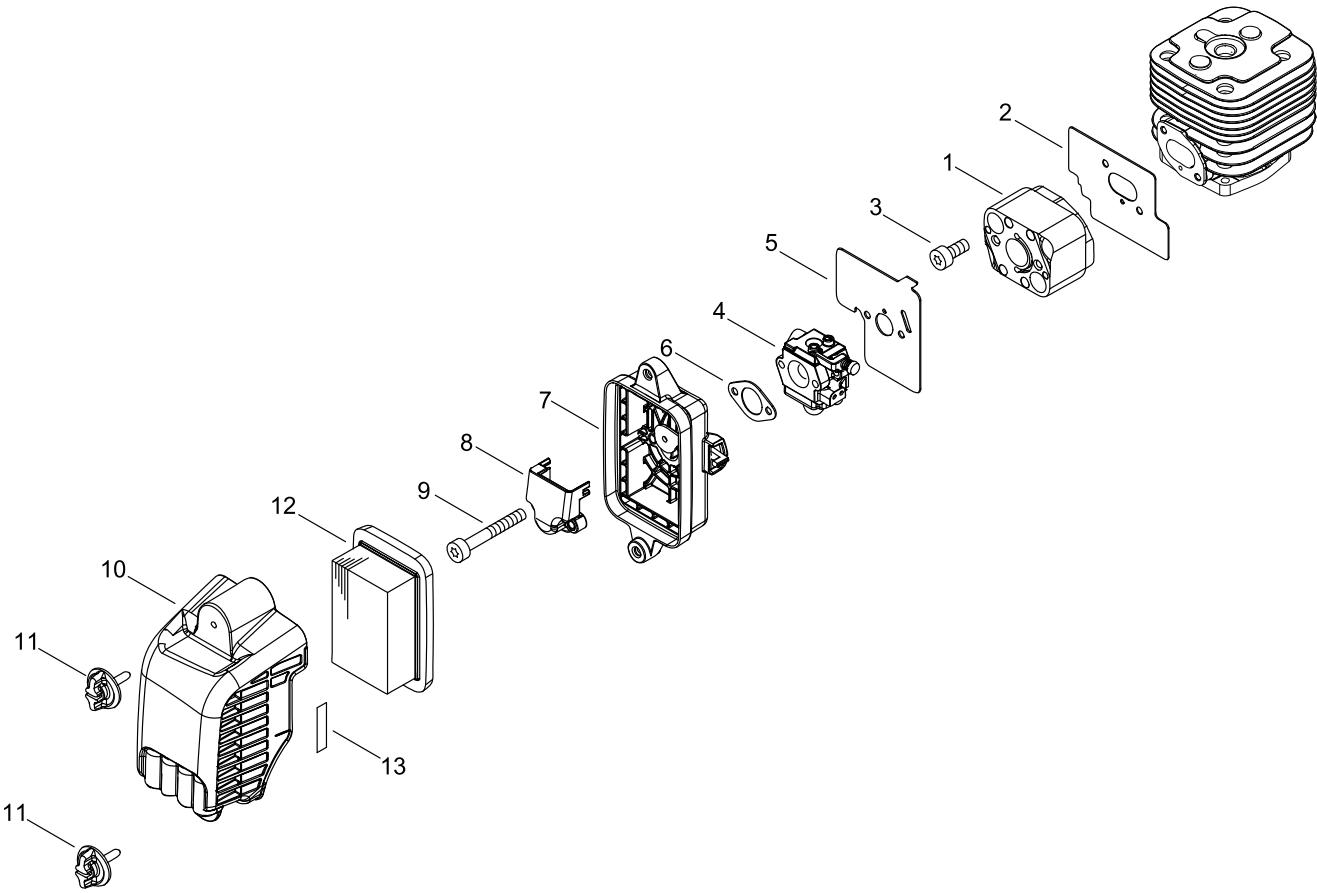


## MAGNETO

KEY NO	LV(+)	Part No	Description	Qty	Standard
1		A409-001270	ROTOR, MAGNETO	1	ID#R10025
2		A411-001620	COIL, IGNITION	1	ID#A10058
3		V485-002780	LEAD	1	L250 CB104
4		900501-00010	NUT 10*1.25	1	10*P1.25
5		900602-00010	WASHER 10(10.5*21*2)	1	10.5*21*2
6		900605-00010	WASHER, SPRING 10	1	10
7		V805-000250	BOLT, TORX 5	2	TB-5*16 12.9
8		900323-03014	KEY WOODRUFF	1	3*14
9		151112-04630	BUSHING	1	
10		A425-000000	SPARKPLUG	1	BPMR8Y
11		159012-03433	CAP, SPARK PLUG	1	
12		159011-03432	COIL, SPARK PLUG	1	
13		V475-008320	TUBE	1	6.3*8*350



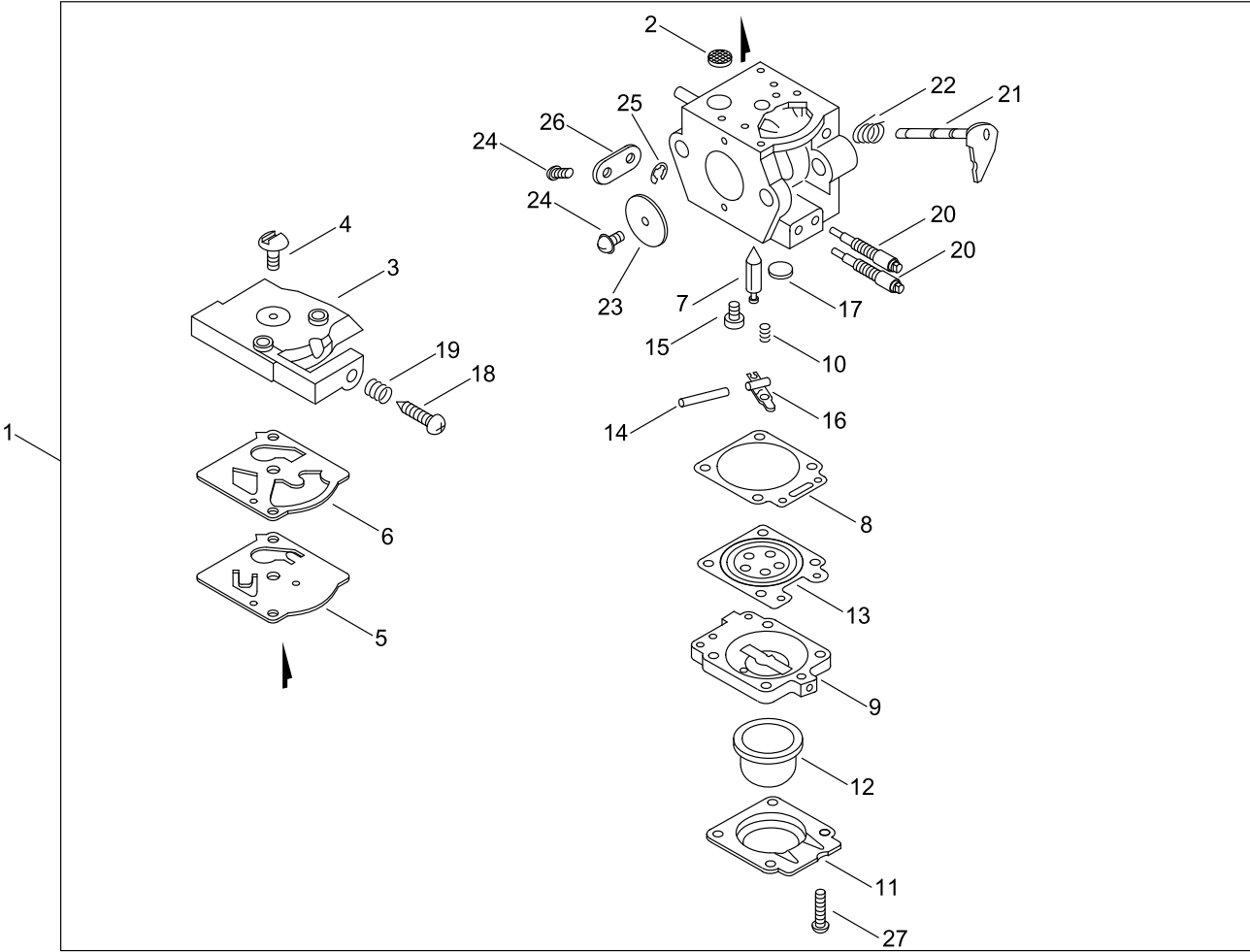
# AIR CLEANER, CARBURETOR



## AIR CLEANER, CARBURETOR

KEY NO	LV(+)	Part No	Description	Qty	Standard
1		A200-001040	INSULATOR, INTAKE	1	
2		V103-001770	GASKET,INTAKE	1	NP4190 T:1.0
3		V805-000220	BOLT, TORX 5	2	TB-5*25 12.9
4		A021-004331	CARBURETOR, DIAPHRAGM	1	WTA-35
5		V103-001780	GASKET,INTAKE	1	NP6630 T:1.0
6		V103-001790	GASKET,INTAKE	1	NP7010 T:1.2
7		P100-001130	CASE,CLEANER	1	
8		A244-000300	PLATE, PREVENT	1	
9		V805-000340	BOLT, TORX 5	2	TB-5*60 10.9
10		A232-001780	LID,CLEANER	1	
11		A235-000390	KNOB,CLEANER LID	2	
12		A226-000032	ELEMENT,AIR FILTER	1	
13		890332-52730	LABEL, CHOKE	1	

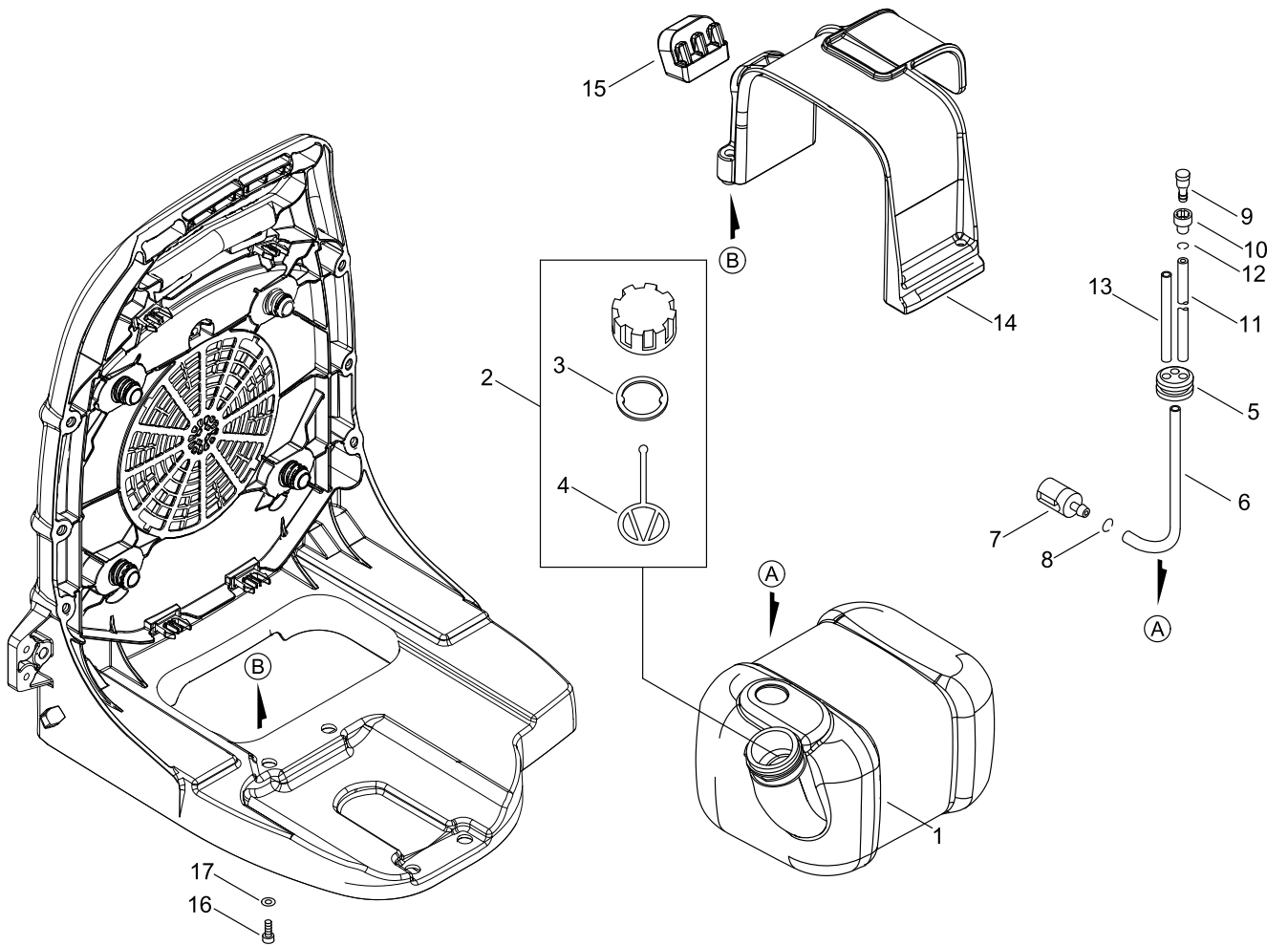
# CARBURETOR



## CARBURETOR

KEY NO	LV(+)	Part No	Description	Qty	Standard
1		A021-004331	CARBURETOR, DIAPHRAGM	1	WTA-35
2	+	123126-10631	SCREEN, INLET	1	
3	+	P003-005960	COVER, FUEL PUMP	1	
4	+	123110-03930	SCREW, PUMP COVER	1	
5	+	123112-15030	DIAPHRAGM, FUEL PUMP	1	
6	+	123125-15030	GASKET, FUEL PUMP	1	
7	+	123137-19830	VALVE, INLET NEEDLE	1	
8	+	P003-003840	GASKET, M. DIAPHRAGM	1	
9	+	123180-46130	BODY, AIR PURGE	1	
10	+	123122-03660	SPRING, METER. LEVER	1	
11	+	123142-05560	COVER, PRIMER PUMP	1	
12	+	123181-40630	PUMP, PRIMER	1	
13	+	P003-001850	DIAPHRAGM, METERING	1	
14	+	123138-03930	PIN, METERING LEVER	1	
15	+	P003-005400	SCREW	1	
16	+	123123-03930	LEVER, METERING	1	
17	+	123146-10631	PLUG, WELCH	1	
18	+	P003-001400	SCREW, IDLE ADJUST	1	
19	+	123133-04260	SPRING, IDLE ADJUST	1	
20	+	P003-005880	NEEDLE	2	
21	+	P003-005530	SHAFT ASY, THROTTLE	1	
22	+	P003-003890	SPRING	1	
23	+	123116-10530	VALVE, THROTTLE	1	
24	+	123114-38830	SCREW	2	
25	+	123127-15030	RING	1	
26	+	P003-003910	THROTTLE, LEVER	1	
27	+	123144-02960	SCREW	4	

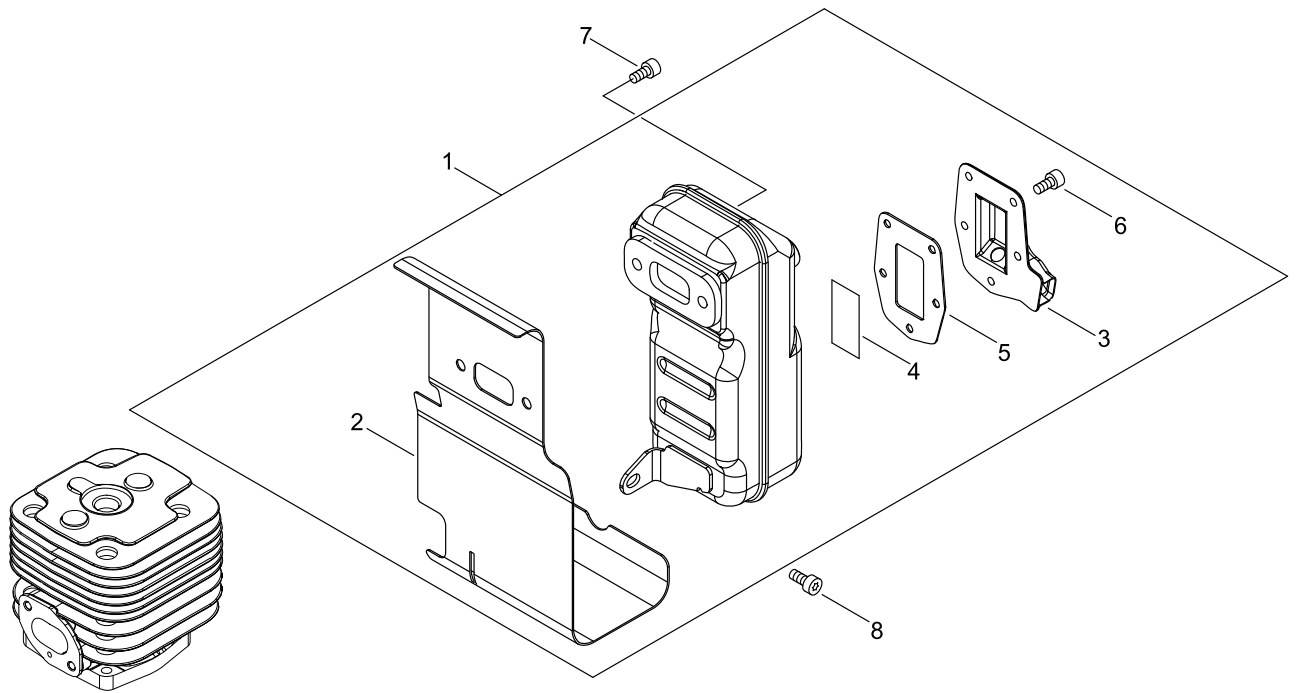
# FUEL TANK



## FUEL TANK

KEY NO	LV(+)	Part No	Description	Qty	Standard
1		A350-000151	TANK,FUEL	1	
2		P021-014060	CAP,FUER ASSY	1	
3	+	131016-55830	GASKET, FUEL CAP	1	
4	+	131051-56030	CLIP, FUEL CAP	1	100L
5		132115-55930	GROMMET, FUEL	1	
6		V471-004790	PIPE	1	3*5*325
7		A369-000440	STRAINER, FUEL	1	125-952
8		V490-001240	CLIP	1	
9		A356-000031	VALVE,CHECK	1	
10		131328-40630	COVER, VENT	1	
11		V471-004780	PIPE	1	3*6*40
12		V490-001230	CLIP	1	
13		V471-004760	PIPE	1	3*6*180
14		A392-000390	BAND, FUEL TANK	1	
15		V420-004620	CUSHION	1	
16		V805-000160	BOLT, TORX 5	4	TB-5*20 10.9
17		613019-07350	WASHER 5.5*16*2T	4	5.5*16*2T

# MUFFLER

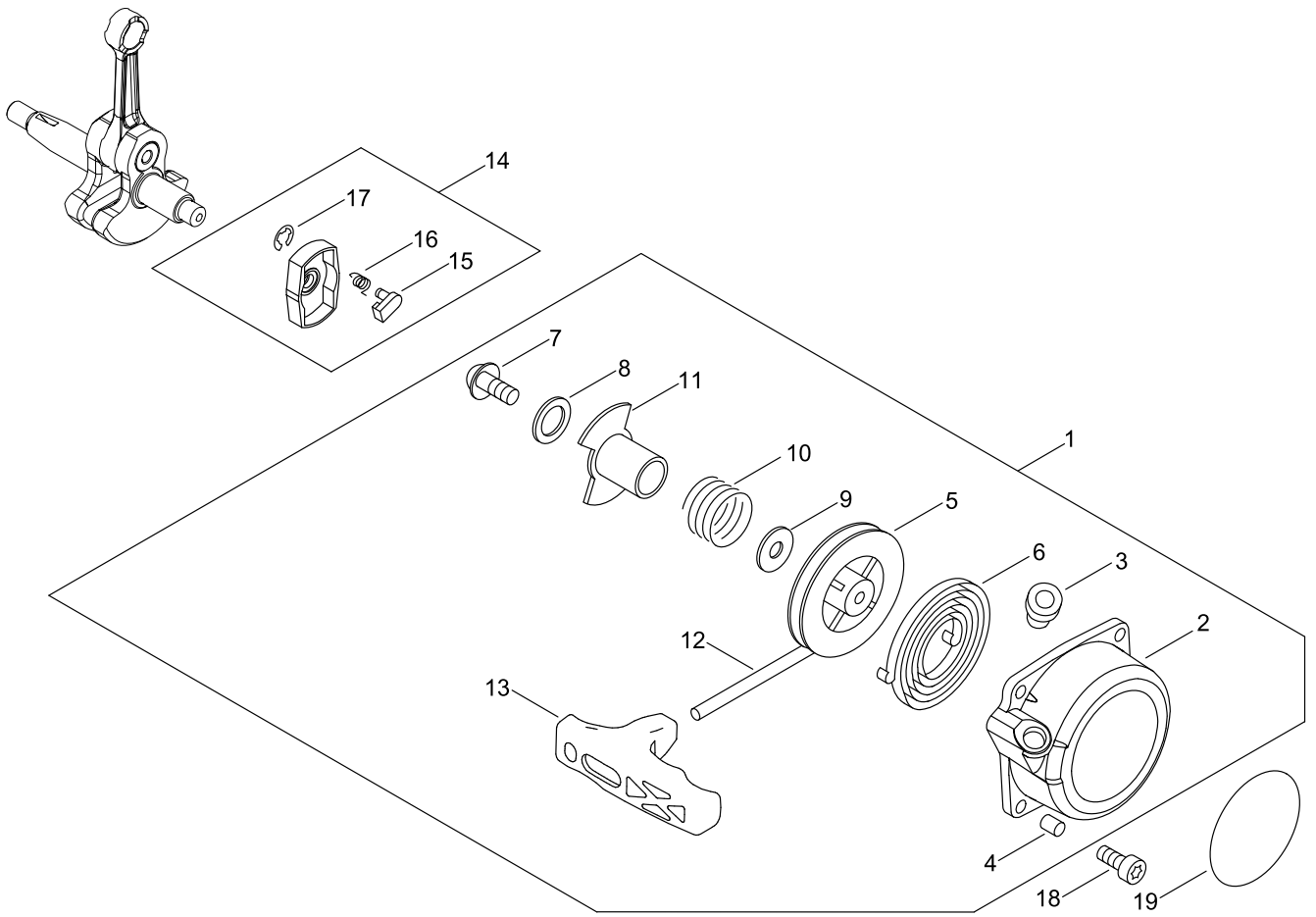


## MUFFLER

KEY NO	LV(+)	Part No	Description	Qty	Standard
1		P021-048161	MUFFLER ASY	1	
2	+	V104-002280	GASKET,EXHAUST	1	T=1.0
3	+	A313-001630	GUIDE, EXHAUST	1	
4	+	145862-06720	SCREEN, MUFFLER	1	
5	+	V104-002220	GASKET,EXHAUST	1	T1.0
6	+	V804-000040	BOLT, TORX 4	5	TB-4*10 10.9
7		900105-06020	BOLT, H.S. 6*20	2	6*20
8		V805-000250	BOLT, TORX 5	1	TB-5*16 12.9



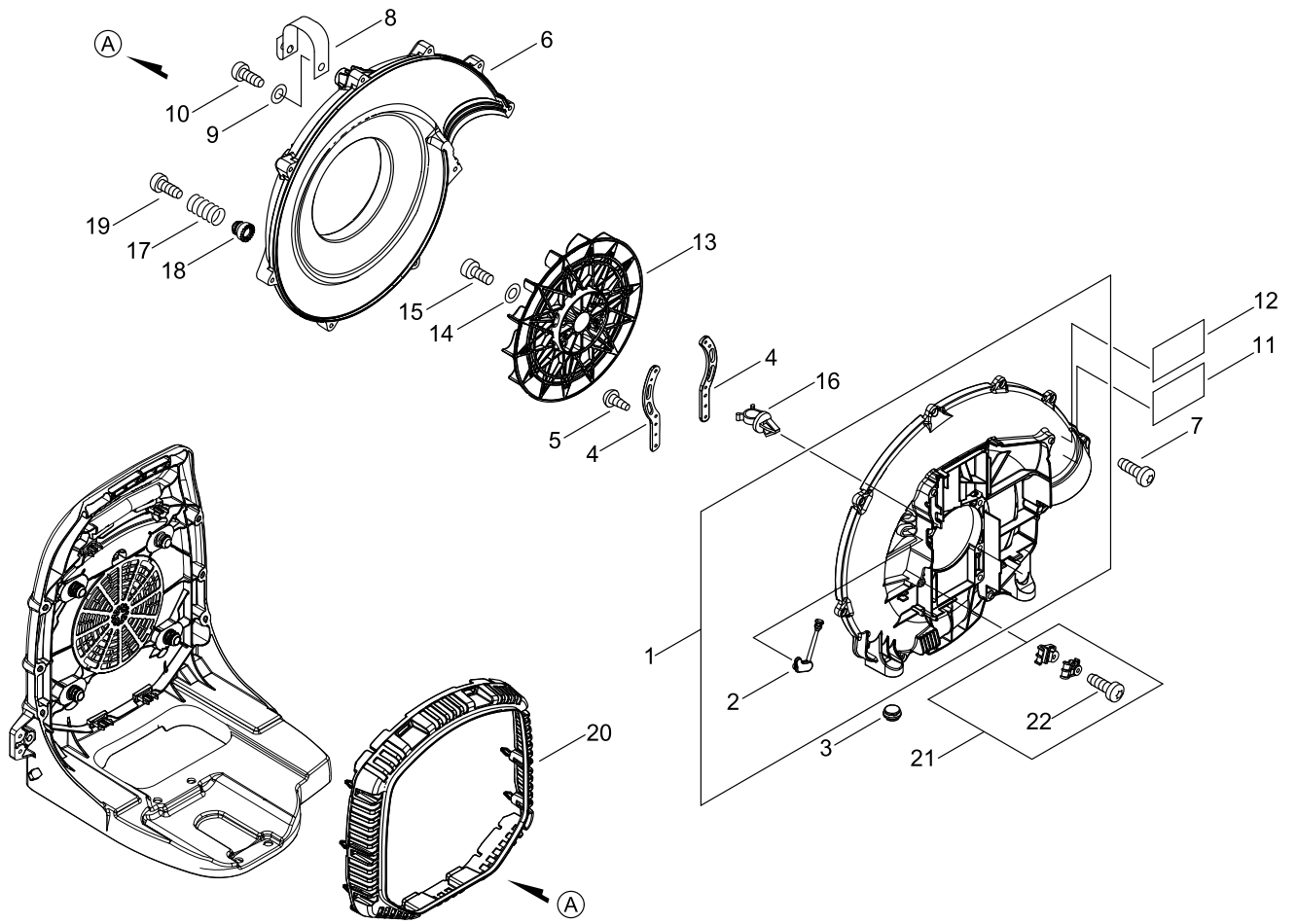
# RECOIL STARTER, PULLY



## RECOIL STARTER, PULLY

KEY NO	LV(+)	Part No	Description	Qty	Standard
1		A051-002981	STARTER,RECOIL ASY	1	
2	+	P022-045270	STARTER CASE	1	
3	+	177227-42030	GUIDE, ROPE	1	
4	+	P022-038560	SPACE, PIPE	1	
5	+	P022-045280	DRUM, STARTER	1	
6	+	P022-036640	SPRING, SPIRAL	1	
7	+	177236-61830	SCREW	1	
8	+	P022-045230	WASHER, THRUST	1	
9	+	P022-045240	WASHER	1	
10	+	P022-045250	SPRING, FRICTION	1	
11	+	P022-010221	PLATE, FRICTION	1	
12	+	P022-045260	ROPE	1	
13	+	P022-045290	GRIP, STARTER	1	
14		A052-000491	PULLEY,ASM STARTER	1	
15	+	P022-036620	PAWL,STARTER	2	
16	+	177234-40630	SPRING, RETURN	2	
17	+	P022-002100	E-RING	2	4
18		V805-000160	BOLT, TORX 5	4	TB-5*20 10.9
19		X562-000050	LABEL,SHINDAIWA	1	

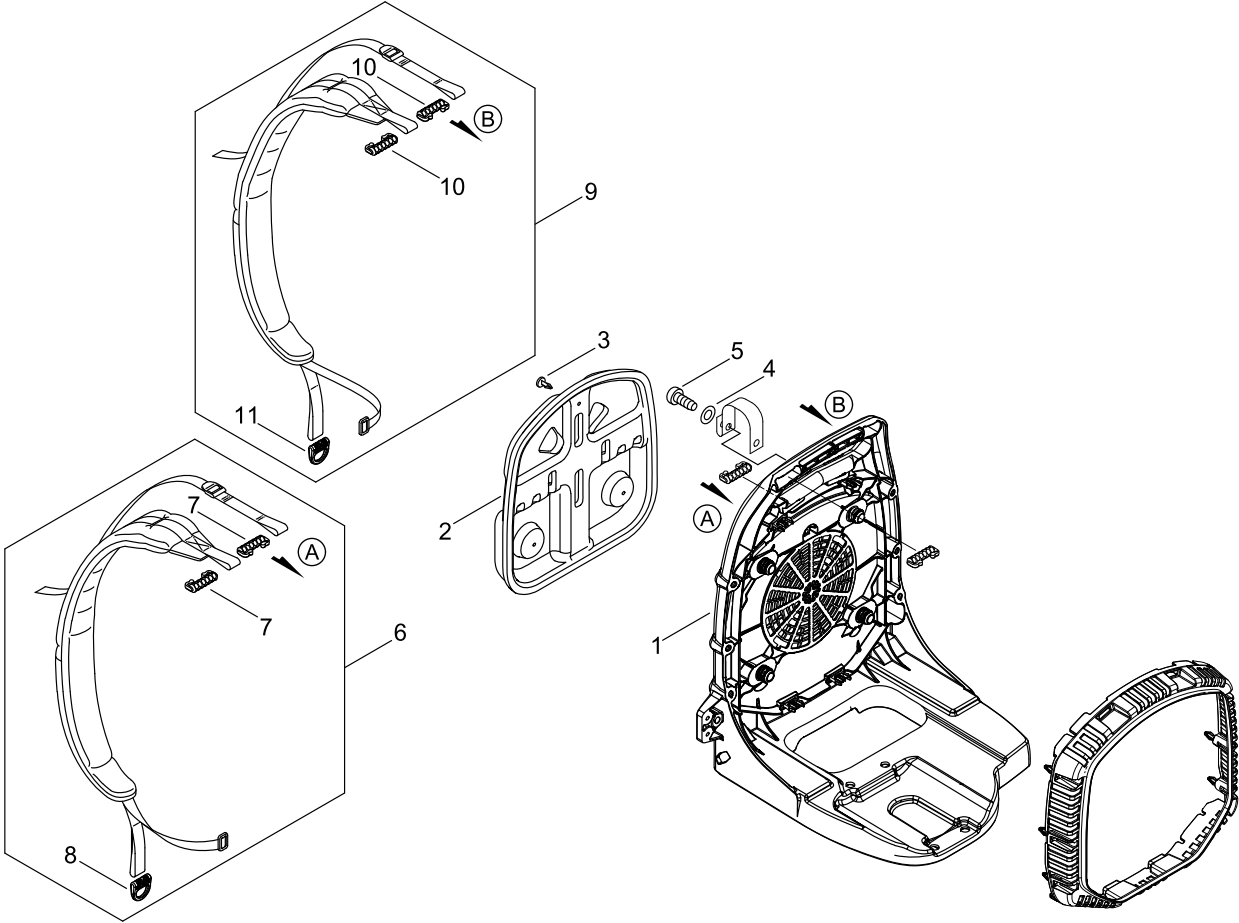
# FAN CASE



## FAN CASE

KEY NO	LV(+)	Part No	Description	Qty	Standard
1		P021-051960	CASE,FAN KIT	1	
2	+	V144-000670	GROMMET	1	
3		V420-000910	CUSHION	2	
4		C632-000250	PLATE, ENG	2	
5		900246-03012	SCREW 3*12	2	3*12
6		E103-001320	CASE,FAN	1	
7		V805-000010	BOLT, TORX 5	8	TT-5*20 DG 10.9
8		C617-000730	STOPPER	1	20*120*T1.2
9		613019-07350	WASHER 5.5*16*2T	1	5.5*16*2T
10		V805-000010	BOLT, TORX 5	1	TT-5*20 DG 10.9
11		X505-007910	LABEL,CAUTION	1	
12		X505-002080	LABEL,CAUTION	1	
13		E100-000270	FAN,BLOWER	1	
14		613019-07350	WASHER 5.5*16*2T	4	5.5*16*2T
15		V805-000180	BOLT, TORX 5	4	TB-5*30 12.9
16		V491-000110	CLIP	1	.308/.433 CABLE
17		V450-000780	SPRING,COMPRESSION	4	2.6-19.4-46.2
18		V456-000330	HOLDER,SPRING	4	
19		V805-000010	BOLT, TORX 5	4	TT-5*20 DG 10.9
20		E104-000250	GRID, BLOWER	1	
21		P021-048170	BRACKET KIT	1	
22	+	V805-000230	BOLT, TORX 5	1	TT-5*25 DG 10.9

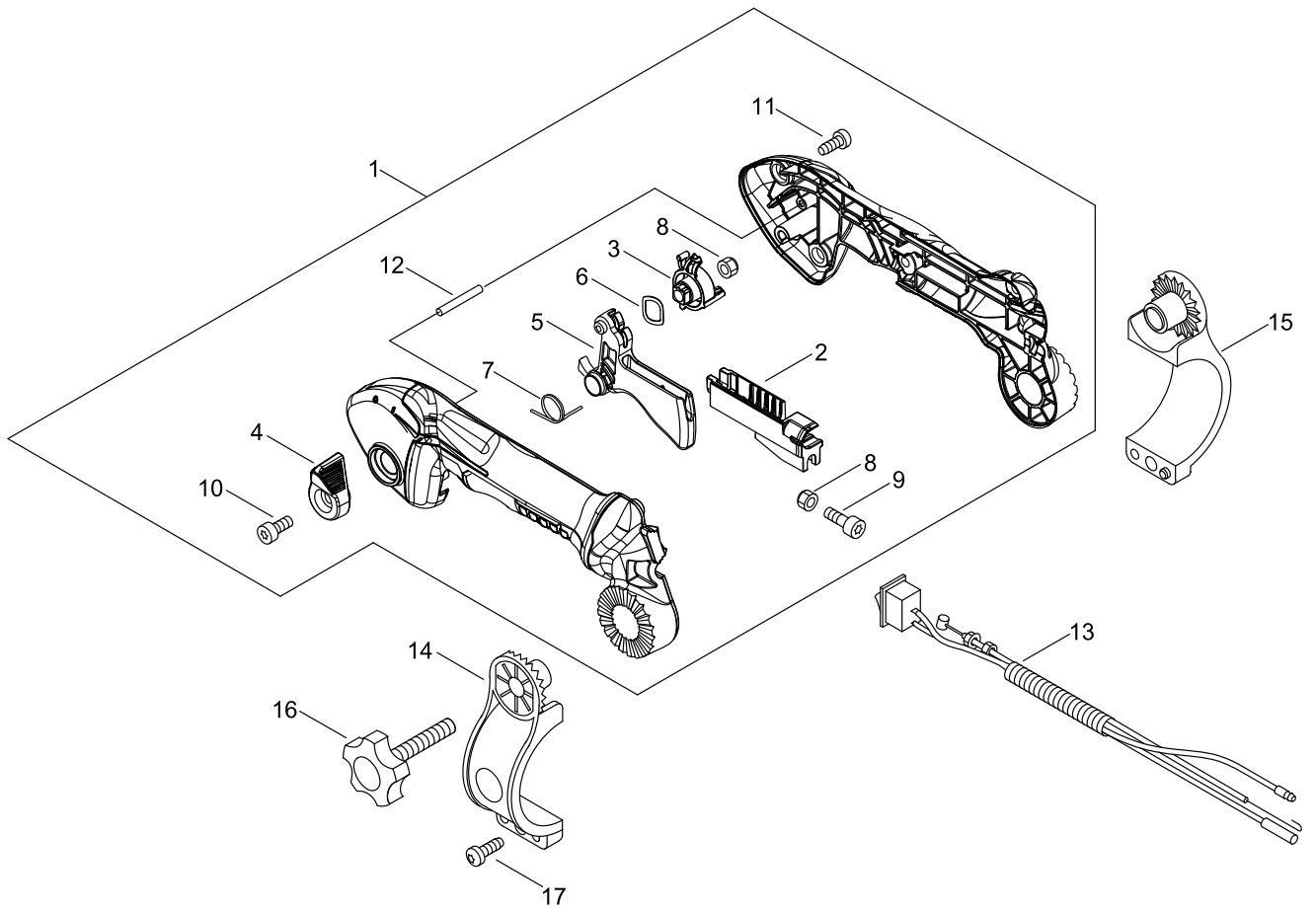
# BACKPACK HARNESS



## BACKPACK HARNESS

KEY NO	LV(+)	Part No	Description	Qty	Standard
1		C620-000480	FRAME, BACKPACK	1	
2		C630-000190	SEAT, BACKPACK	1	PB-765LN
3		V491-000090	CLIP	3	
4		613019-07350	WASHER 5.5*16*2T	1	5.5*16*2T
5		V805-000010	BOLT, TORX 5	1	TT-5*20 DG 10.9
6		P021-051970	HARNESS KIT	1	
7	+	V491-000480	CLIP	2	
8	+	C645-000080	BUCKLE, HARNESS	1	
9		P021-051980	HARNESS KIT	1	
10	+	V491-000480	CLIP	2	
11	+	C645-000080	BUCKLE, HARNESS	1	

# THROTTLE

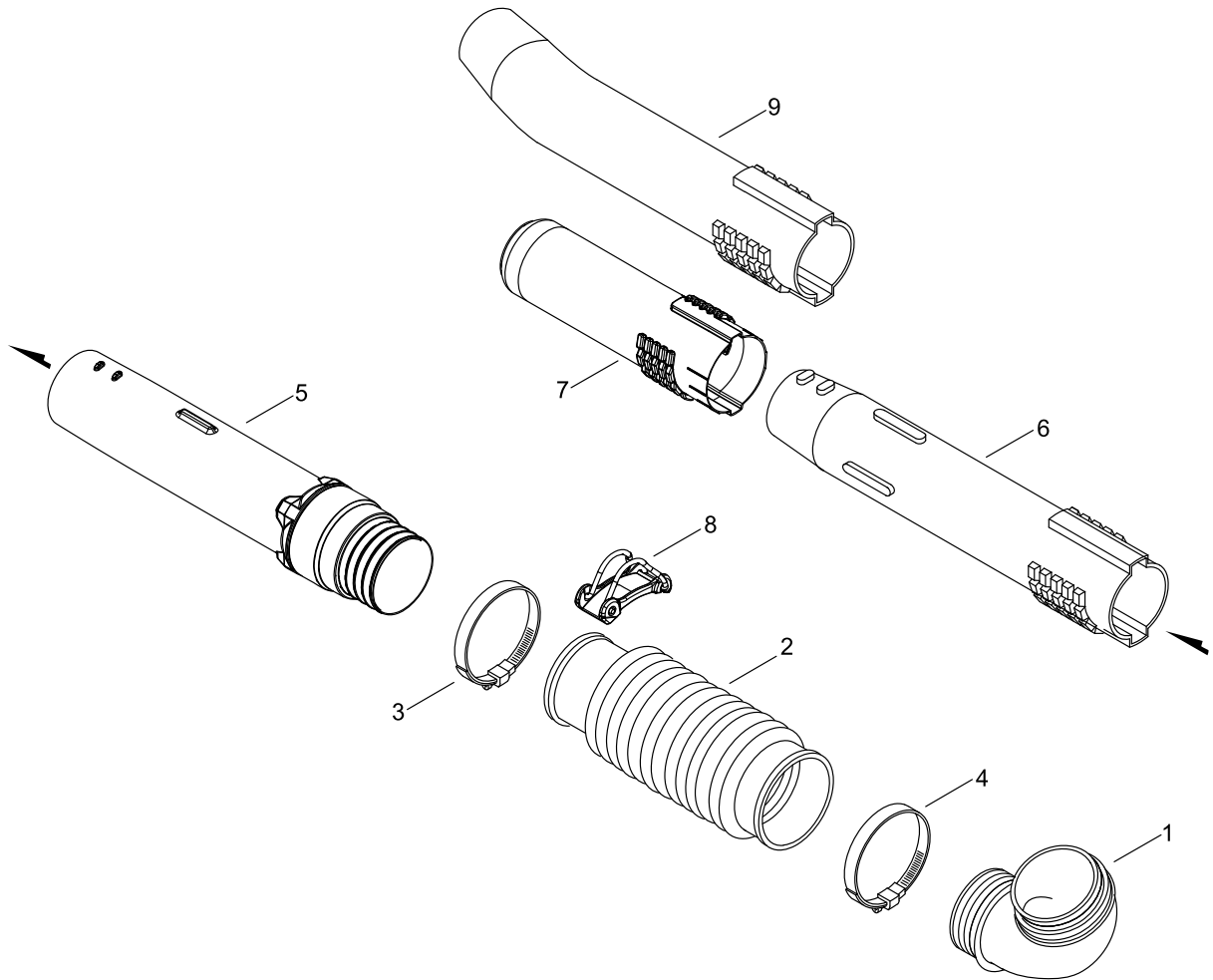


## THROTTLE

KEY NO	LV(+)	Part No	Description	Qty	Standard
1		P021-051990	FRONT HANDLE ASY	1	
2	+	C482-000101	CONNECTOR, CABLE	1	
3	+	C453-000580	LEVER, THROTTLE	1	
4	+	C453-000570	LEVER,THROTTLE	1	
5	+	C450-000931	TRIGGER,THROTTLE	1	
6	+	429752-01850	WASHER, WAVE 12	1	
7	+	V452-001630	SPRING,TORSION	1	SPRING
8	+	900562-50005	LOCKNUT 5	2	5
9	+	V805-000050	BOLT, TORX 5	1	TB-5*30 10.9
10	+	V805-000160	BOLT, TORX 5	1	TB-5*20 10.9
11	+	V805-000000	BOLT, TORX 5	4	TT-5*16 DG 10.9
12	+	V621-000040	PIN,STRAIGHT 3	1	3*32
13		V043-001120	CABLE ASY, CONTROL	1	
14		C405-000231	BRACKET,HANDLE	1	LEFT SIDE
15		C405-000241	BRACKET,HANDLE	1	RIGHT SIDE
16		V299-000630	KNOB,FASTENER	1	BOLT/ V299520010X
17		V805-000010	BOLT, TORX 5	1	TT-5*20 DG 10.9



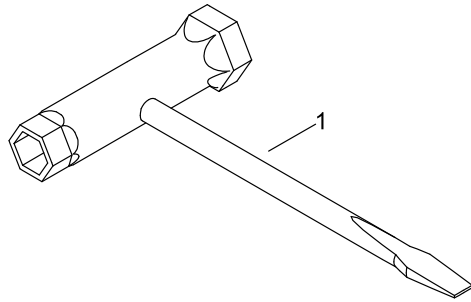
# PIPE



## PIPE

KEY NO	LV(+)	Part No	Description	Qty	Standard
1		E160-000131	PIPE,MAIN	1	
2		E164-000080	PIPE,FLEXIBLE	1	
3		V495-000430	BAND	1	58.7MM / 82.5MM
4		V495-000440	BAND	1	77.8MM /101.6MM
5		E165-000800	PIPE,BLOWER	1	
6		E165-000650	PIPE,BLOWER	1	
7		E165-000790	PIPE,BLOWER	1	
8		C487-000420	HOLDER, CABLE	1	CABLE HOLDER ASM
9		E165-000160	PIPE,BLOWER	1	418MM*65/79MM

# ACCESSORIES



## ACCESSORIES

KEY NO	LV(+)	Part No	Description	Qty	Standard
1		X602-000120	TOOL,WRENCH	1	19-13

# NUMERICAL PARTS INDEX

Part No	Part description	Page	Part No	Part description	Page	Part No	Part description	Page
100011-3-2330	RING, PISTON	2	145862-0-6720	SCREEN, MUFFLER	14	A051-00-2981	STARTER,RECOIL ASY	16
100014-1-7330	SPACER, PISTON PIN	2	151112-0-4630	BUSHING	6	A052-00-0491	PULLEY,ASM STARTER	16
100213-0-0310	OILSEAL	4	159011-0-3432	COIL, SPARK PLUG	6	A127-00-0420	COVER,DUST	4
123110-0-3930	SCREW, PUMP COVER	10	159012-0-3433	CAP, SPARK PLUG	6	A130-00-2250	CYLINDER	2
123112-1-5030	DIAPHRAGM, FUEL PUMP	10	177227-4-2030	GUIDE, ROPE	16	A190-00-1500	COVER,ENGINE	2
123114-3-8830	SCREW	10	177234-4-0630	SPRING, RETURN	16	A200-00-1040	INSULATOR, INTAKE	8
123116-1-0530	VALVE, THROTTLE	10	177236-6-1830	SCREW	16	A226-00-0032	ELEMENT,AIR FILTER	8
123122-0-3660	SPRING, METER. LEVER	10	429752-0-1850	WASHER, WAVE 12	22	A232-00-1780	LID,CLEANER	8
123123-0-3930	LEVER, METERING	10	613019-0-7350	WASHER 5.5*16*2T	12	A235-00-0390	KNOB,CLEANER LID	8
123125-1-5030	GASKET, FUEL PUMP	10	613019-0-7350	WASHER 5.5*16*2T	18	A244-00-0300	PLATE, PREVENT	8
123126-1-0631	SCREEN, INLET	10	613019-0-7350	WASHER 5.5*16*2T	20	A313-00-1630	GUIDE, EXHAUST	14
123127-1-5030	RING	10	890332-5-2730	LABEL, CHOKE	8	A350-00-0151	TANK,FUEL	12
123133-0-4260	SPRING, IDLE ADJUST	10	900105-0-6020	BOLT, H.S. 6*20	14	A356-00-0031	VALVE,CHECK	12
123137-1-9830	VALVE, INLET NEEDLE	10	900246-0-3012	SCREW 3*12	18	A369-00-0440	STRAINER, FUEL	12
123138-0-3930	PIN, METERING LEVER	10	900323-0-3014	KEY WOODRUFF	6	A392-00-0390	BAND, FUEL TANK	12
123142-0-5560	COVER, PRIMER PUMP	10	900501-0-0010	NUT 10*1.25	6	A409-00-1270	ROTOR, MAGNETO	6
123144-0-2960	SCREW	10	900562-5-0005	LOCKNUT 5	22	A411-00-1620	COIL, IGNITION	6
123146-1-0631	PLUG, WELCH	10	900602-0-0010	WASHER 10 (10.5*21*2)	6	A425-00-0000	SPARKPLUG	6
123180-4-6130	BODY, AIR PURGE	10	900605-0-0010	WASHER, SPRING 10	6	C405-00-0231	BRACKET,HANDLE	22
123181-4-0630	PUMP, PRIMER	10	900810-3-6202	BEARING, BALL 6202	4	C405-00-0241	BRACKET,HANDLE	22
131016-5-5830	GASKET, FUEL CAP	12	94000-36-302	BALL BEARING 6302 C3	4	C450-00-0931	TRIGGER, THROTTLE	22
131051-5-6030	CLIP, FUEL CAP	12	A011-00-1390	CRANKSHAFT,ASY	2	C453-00-0570	LEVER,THROTTLE	22
131328-4-0630	COVER, VENT	12	A021-00-4331	CARBURETOR, DIAPHRAGM	8	C453-00-0580	LEVER, THROTTLE	22
132115-5-5930	GROMMET, FUEL	12	A021-00-4331	CARBURETOR, DIAPHRAGM	10	C482-00-0101	CONNECTOR, CABLE	22

# NUMERICAL PARTS INDEX

Part No	Part description	Page	Part No	Part description	Page	Part No	Part description	Page
C487-00-0420	HOLDER, CABLE	24	P021-01-4060	CAP,FUER ASSY	12	V102-00-0270	GASKET, CRANKCASE	4
C617-00-0730	STOPPER	18	P021-04-8140	PISTON KIT	2	V103-00-1770	GASKET,INTAKE	8
C620-00-0480	FRAME, BACKPACK	20	P021-04-8151	CRANKCASE SET	4	V103-00-1780	GASKET,INTAKE	8
C630-00-0190	SEAT, BACKPACK	20	P021-04-8161	MUFFLER ASY	14	V103-00-1790	GASKET,INTAKE	8
C632-00-0250	PLATE, ENG	18	P021-04-8170	BRACKET KIT	18	V104-00-2220	GASKET,EXHAUST	14
C645-00-0080	BUCKLE, HARNESS	20	P021-05-1960	CASE,FAN KIT	18	V104-00-2280	GASKET,EXHAUST	14
E100-00-0270	FAN,BLOWER	18	P021-05-1970	HARNESS KIT	20	V144-00-0670	GROMMET	18
E103-00-1320	CASE,FAN	18	P021-05-1980	HARNESS KIT	20	V299-00-0630	KNOB,FASTENER	22
E104-00-0250	GRID, BLOWER	18	P021-05-1990	FRONT HANDLE ASY	22	V401-00-0600	CUSHION,5	4
E160-00-0131	PIPE,MAIN	24	P022-00-2100	E-RING	16	V420-00-0910	CUSHION	18
E164-00-0080	PIPE,FLEXIBLE	24	P022-01-0221	PLATE, FRICTION	16	V420-00-4620	CUSHION	12
E165-00-0160	PIPE,BLOWER	24	P022-03-6620	PAWL,STARTER	16	V450-00-0780	SPRING, COMPRESSION	18
E165-00-0650	PIPE,BLOWER	24	P022-03-6640	SPRING, SPIRAL	16	V452-00-1630	SPRING,TORSION	22
E165-00-0790	PIPE,BLOWER	24	P022-03-8560	SPACE, PIPE	16	V456-00-0330	HOLDER,SPRING	18
E165-00-0800	PIPE,BLOWER	24	P022-04-5230	WASHER, THRUST	16	V471-00-4760	PIPE	12
P003-00-1400	SCREW, IDLE ADJUST	10	P022-04-5240	WASHER	16	V471-00-4780	PIPE	12
P003-00-1850	DIAPHRAGM, METERING	10	P022-04-5250	SPRING, FRICTION	16	V471-00-4790	PIPE	12
P003-00-3840	GASKET, M. DIAPHRAGM	10	P022-04-5260	ROPE	16	V475-00-8320	TUBE	6
P003-00-3890	SPRING	10	P022-04-5270	STARTER CASE	16	V485-00-2770	LEAD	4
P003-00-3910	THROTTLE, LEVER	10	P022-04-5280	DRUM, STARTER	16	V485-00-2780	LEAD	6
P003-00-5400	SCREW	10	P022-04-5290	GRIP, STARTER	16	V490-00-1230	CLIP	12
P003-00-5530	SHAFT ASY, THROTTLE	10	P100-00-1130	CASE,CLEANER	8	V490-00-1240	CLIP	12
P003-00-5880	NEEDLE	10	V043-00-1120	CABLE ASY, CONTROL	22	V491-00-0090	CLIP	20
P003-00-5960	COVER, FUEL PUMP	10	V100-00-0811	GASKET,CYL	2	V491-00-0110	CLIP	18

## NUMERICAL PARTS INDEX

Part No	Part description	Page	Part No	Part description	Page
V491-00-0480	CLIP	20	V805-00-0230	BOLT, TORX 5	18
V495-00-0430	BAND	24	V805-00-0250	BOLT, TORX 5	4
V495-00-0440	BAND	24	V805-00-0250	BOLT, TORX 5	6
V508-00-0100	SEAL,OIL 15	4	V805-00-0250	BOLT, TORX 5	14
V555-00-0010	BEARING,NEEDLE 10	2	V805-00-0340	BOLT, TORX 5	8
V580-00-0010	RING,END	2	X505-00-2080	LABEL,CAUTION	18
V608-00-0000	PIN,ENG 10	2	X505-00-2310	LABEL,CAUTION	2
V621-00-0040	PIN,STRAIGHT 3	22	X505-00-7910	LABEL,CAUTION	18
V804-00-0040	BOLT, TORX 4	14	X562-00-0050	LABEL,SHINDAIWA	16
V805-00-0000	BOLT, TORX 5	22	X602-00-0120	TOOL,WRENCH	26
V805-00-0010	BOLT, TORX 5	2			
V805-00-0010	BOLT, TORX 5	18			
V805-00-0010	BOLT, TORX 5	20			
V805-00-0010	BOLT, TORX 5	22			
V805-00-0040	BOLT, TORX 5	2			
V805-00-0050	BOLT, TORX 5	22			
V805-00-0140	BOLT, TORX 5	4			
V805-00-0160	BOLT, TORX 5	12			
V805-00-0160	BOLT, TORX 5	16			
V805-00-0160	BOLT, TORX 5	22			
V805-00-0180	BOLT, TORX 5	4			
V805-00-0180	BOLT, TORX 5	18			
V805-00-0210	BOLT, TORX 5	2			
V805-00-0220	BOLT, TORX 5	8			