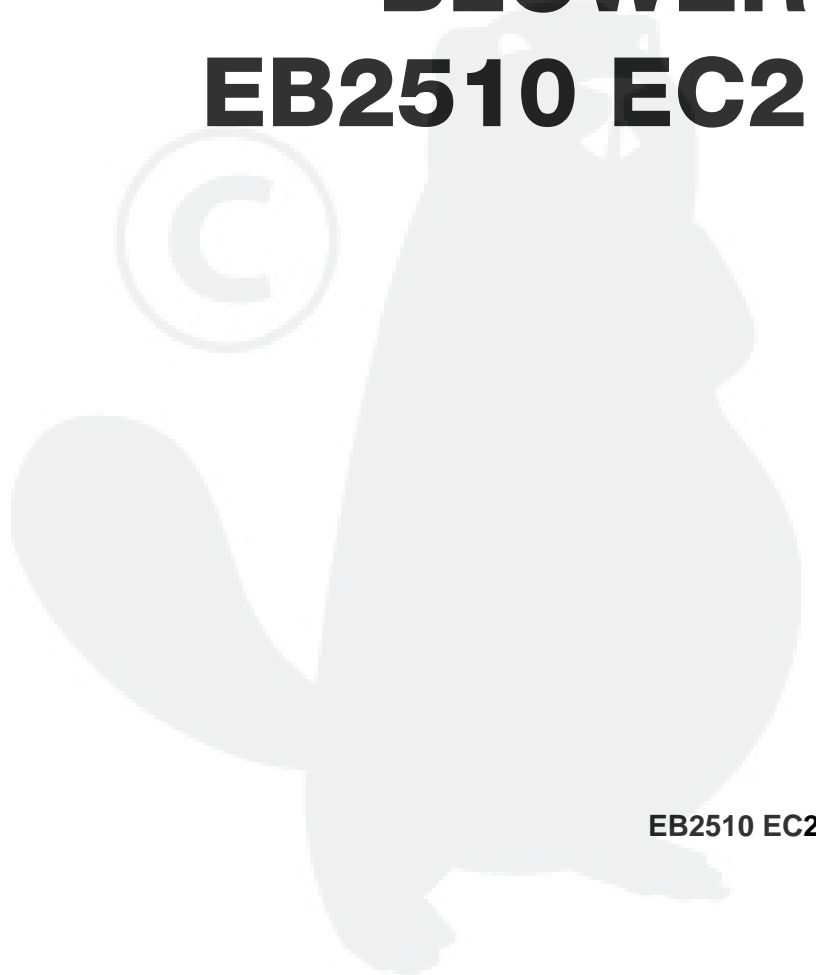


**shindaiwa<sup>®</sup>**

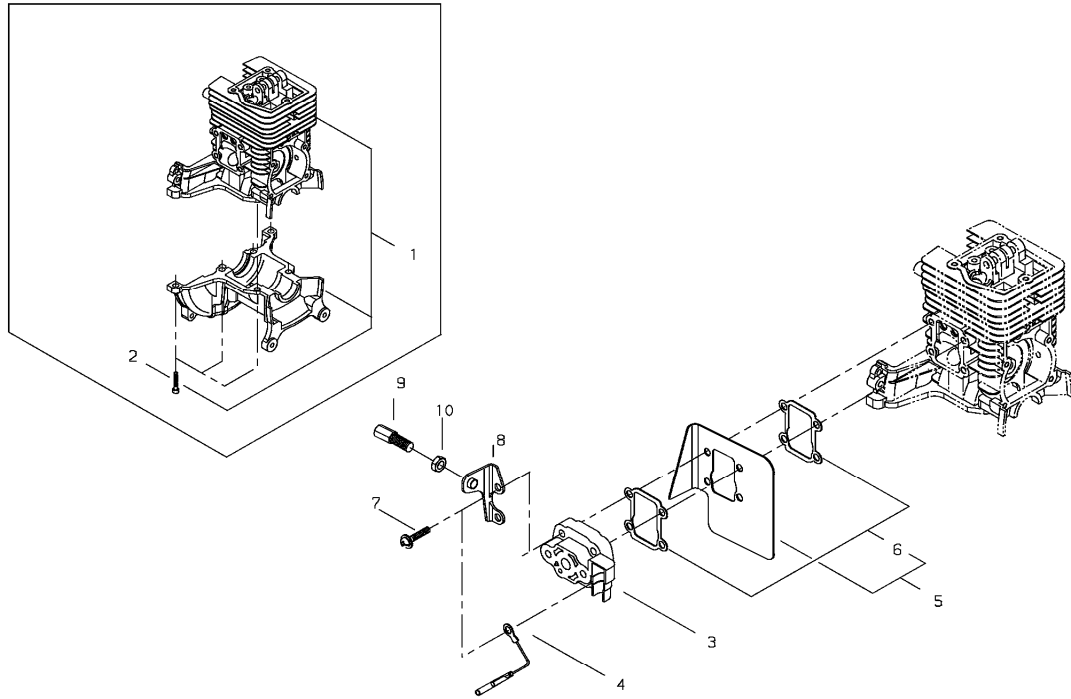
# **PARTS CATALOG**

**BLOWER  
EB2510 EC2**



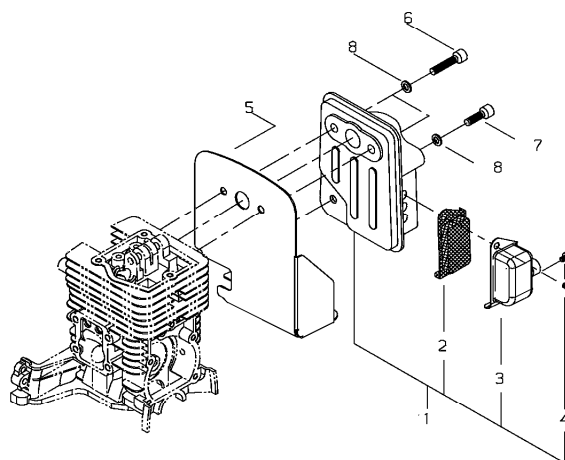
**EB2510 EC2**

1. CYLINDER



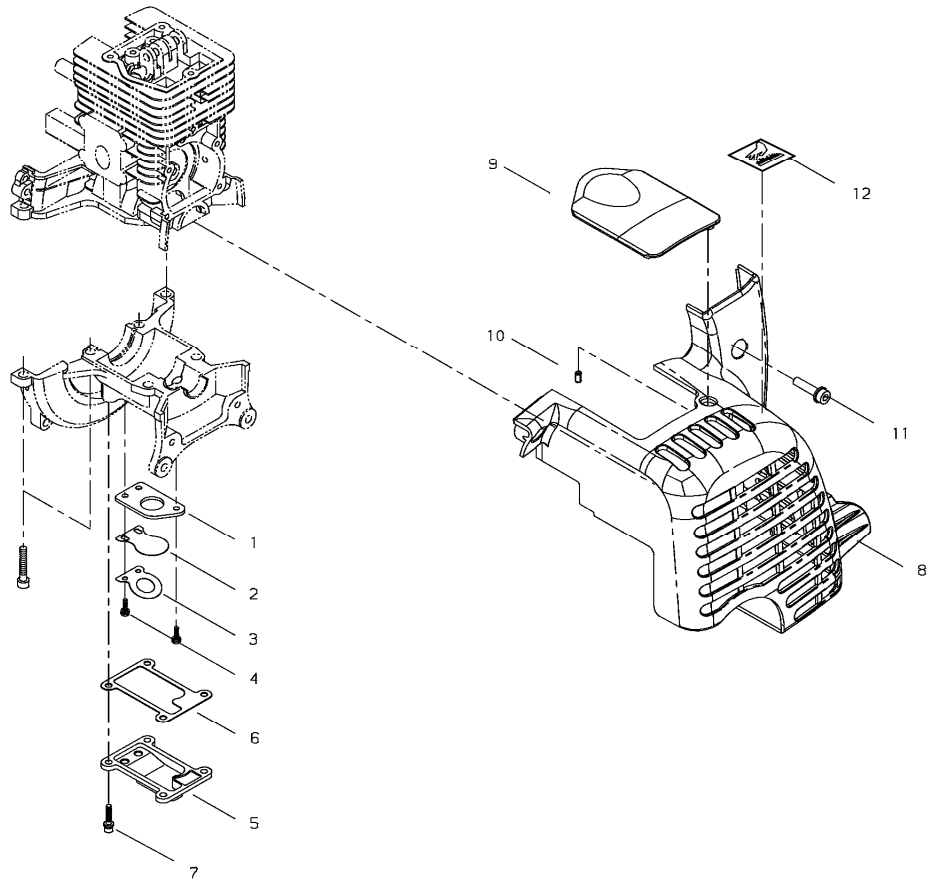
KEY	LV	PART NUMBER	Q'TY	DESCRIPTION	REMARKS	NOTE1	NOTE2
1		60908-98330	1	CYLINDER BLOCK SET			
2	•	01020-05160	6	BOLT	M5*16 BLACK	M5x16	
3		62902-12310	1	REED VALVE			
4		14350-01101	1	LEAD WIRE	L110	L110	
5		68902-12310	1	BAFFLE PLATE COMP			
6	•	62901-12220	2	GASKET			
7		11206-05225	4	SCREW,PM-SPW	M5*22		
8		68902-83310	1	BRACKET			
9		68902-83320	1	CABLE ADJUSTER			
10		01501-06048	1	NUT		M6 MFZN3	

## 2. MUFFLER



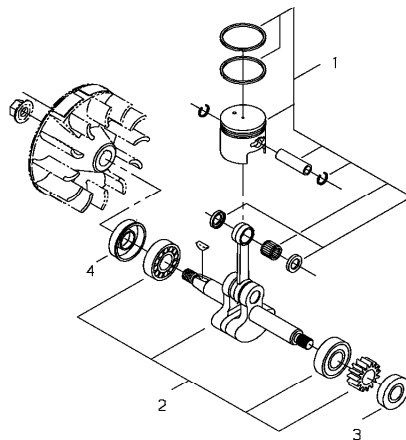
KEY	LV	PART NUMBER	Q'TY	DESCRIPTION	REMARKS	NOTE1	NOTE2
1		68902-15010	1	MUFFLER ASSY			
2	•	62902-15131	1	SCREEN			
3	•	68902-15140	1	TAIL PIPE			
4	•	11204-04060	2	SCREW,PM-SW			
5		68902-15210	1	GASKET			
6		62901-15310	2	BOLT		M5x25	
7		01020-05160	1	BOLT	M5*16 BLACK	M5x16	
8		01610-05080	3	WASHER			

3. ENGINE COVER



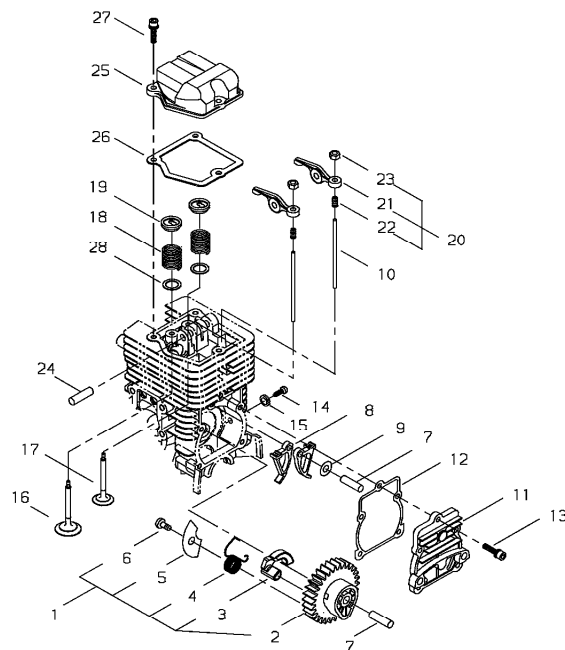
KEY	LV	PART NUMBER	Q'TY	DESCRIPTION	REMARKS	NOTE1	NOTE2
1		62901-21320	1	INSULATOR			
2		72320-83121	1	VALVE			
3		72320-83132	1	STOPPER			
4		01211-03100	3	SCREW-SW	M3*10		
5		62901-21120	1	COVER			
6		62901-21130	1	GASKET			
7		11022-04120	4	BOLT-SPW	M4*12	M4x12	
8		68902-31112	1	ENGINE COVER			
9		68900-31311	1	GROMMET			
10		02427-40085	1	PIN		4x8	
11		70140-31480	3	BOLT PC		M5x20	
12		19402-00205	1	LABEL CAUTION			

## 4. PISTON



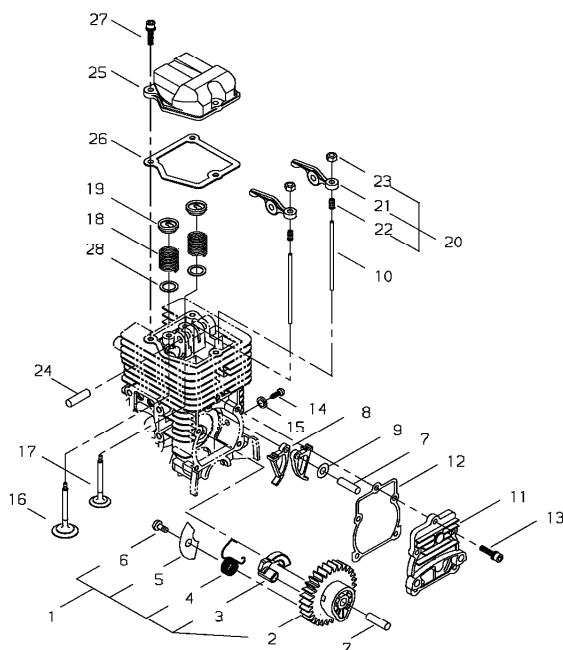
KEY	LV	PART NUMBER	Q'TY	DESCRIPTION	REMARKS	NOTE1	NOTE2
1		62902-41310	1	PISTON SET			
2		62902-42020	1	CRANKSHAFT COMP			
3		62901-42260	1	OIL SEAL			
4		62901-42270	1	OIL SEAL			

## 5. VALVE



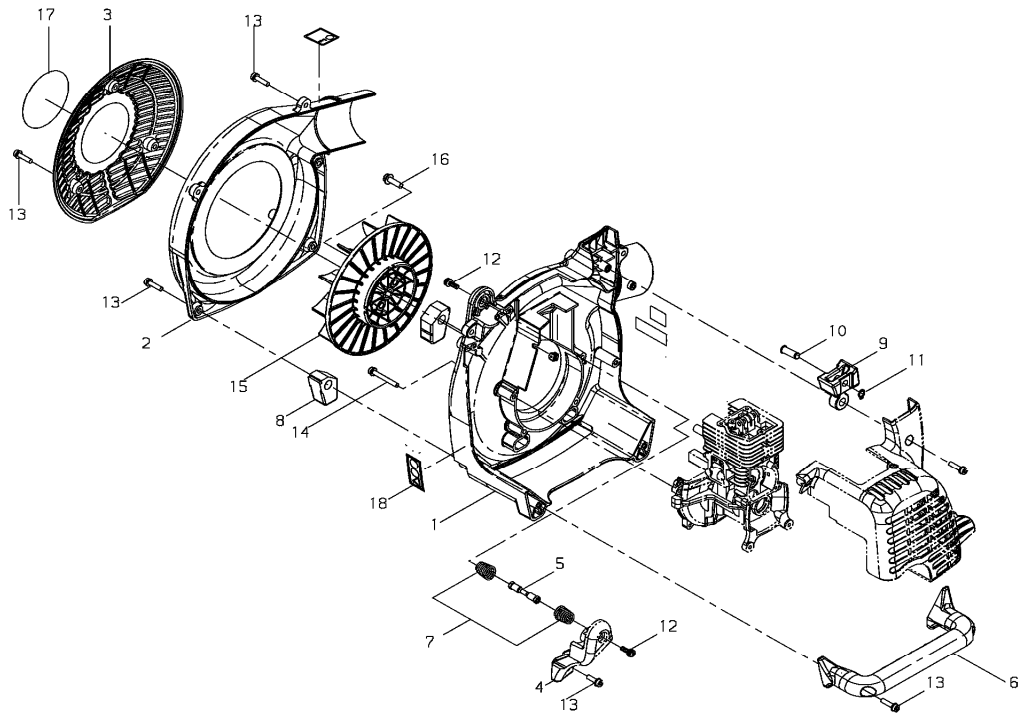
KEY	LV	PART NUMBER	Q'TY	DESCRIPTION	REMARKS	NOTE1	NOTE2
1		62905-43011	1	CAM GEAR ASSY			
2	•	62902-43310	1	CAM GEAR			
3	•	62907-43120	1	WEIGHT			
4	•	17520-08900	1	COIL SPRING			
5	•	62905-43131	1	PLATE			
6	•	01280-04062	1	SCREW, TAPPING			
7		12492-50290	2	ROLLER	5*L29.8	5xL29.8	
8		62907-43210	2	LIFTER			
9		11620-10000	1	WASHER	T0.3	t0.3	
10		62908-43220	2	PUSH ROD			
11		62901-43330	1	CAM GEAR COVER			
12		62901-43240	1	GASKET			
13		11022-04140	5	BOLT-SPW	M4-14	M4x14	
14		62901-43310	1	SCREW			
15		15401-10028	1	COLLAR	5.5,10 T=2		
16		62902-44111	1	INTAKE VALVE			
17		62902-44121	1	EXHAUST VALVE			
18		62901-44130	2	VALVE SPRING			
19		62908-44140	2	RETAINER			
20		62907-44010	2	ROCKER ARM ASSY			
21	•	62901-44210	2	ROCKER ARM			
22	•	62907-44220	2	ADJUST SCREW			
23	•	62901-44231	2	NUT			
24		12492-50310	1	ROLLER	NTN F5*31.8	5xL31.8	
25		62901-44241	1	ROCKER ARM COVER			
26		62901-44250	1	GASKET			

5. VALVE



KEY	LV	PART NUMBER	Q'TY	DESCRIPTION	REMARKS	NOTE1	NOTE2
27		11022-04140	3	BOLT-SPW	M4-14	M4x14	
28		62908-44310	2	PLATE			

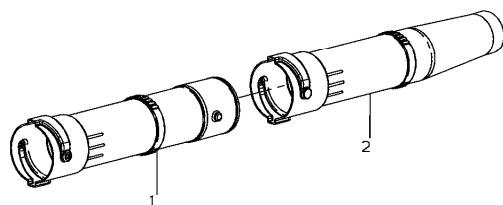
## 6. VOLUT CASE



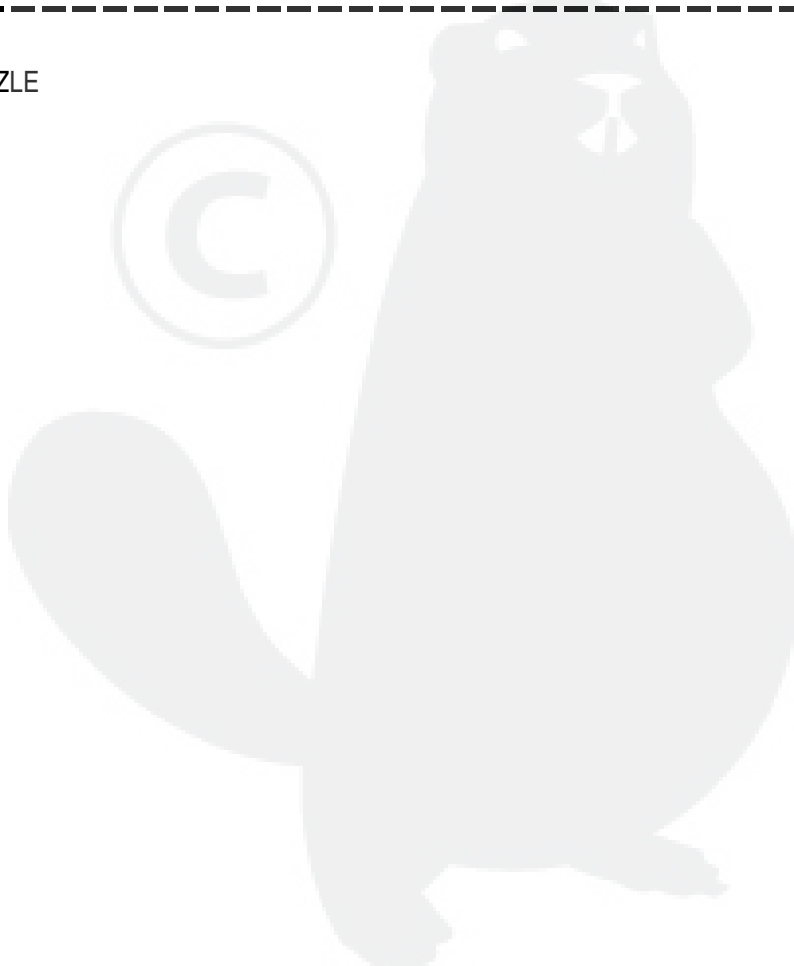
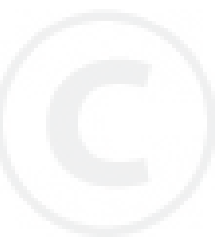
KEY	LV	PART NUMBER	Q'TY	DESCRIPTION	REMARKS	NOTE1	NOTE2
1		68902-61111	1	VOLUTE CASE			
2		68912-61120	1	VOLUTE COVER			
3		68902-61130	1	INTAKE COVER			
4		68902-61310	1	HANDLE COVER			
5		68902-61322	1	NUT			
6		68902-61330	1	HANDLE			
7		17503-18000	2	COIL SPRING		φ18 φ14	
8		72933-61320	2	CUSHION			
9		68902-61343	1	CUSHION			
10		68902-61351	1	PIN			
11		02430-08080	1	SNAP RING		8mm	
12		11260-05163	2	SCREW ADHEISIVE		M5x16	
13		70140-31480	12	BOLT PC		M5x20	
14		11022-05400	4	BOLT SW		M5x40	
15		17343-06000	1	FAN		φ176.5	
16		11022-06200	2	BOLT SPW		M6x20	
17		68902-91320	1	LABEL TRADE			
18		19402-00148	1	LABEL CAUTION			



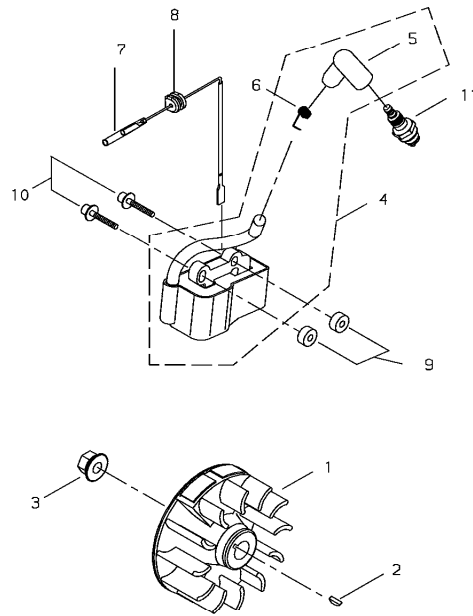
7. PIPE



KEY	LV	PART NUMBER	Q'TY	DESCRIPTION	REMARKS	NOTE1	NOTE2
1		68912-63110	1	PIPE			
2		68912-63120	1	NOZZLE			

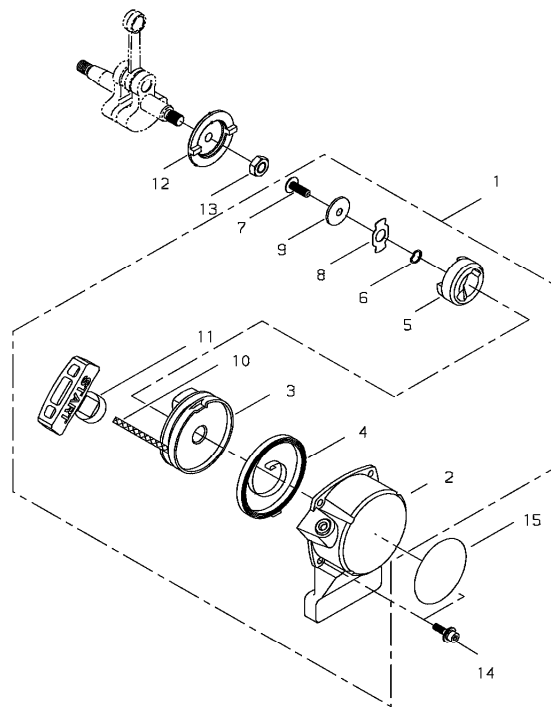


8. MAGNETO



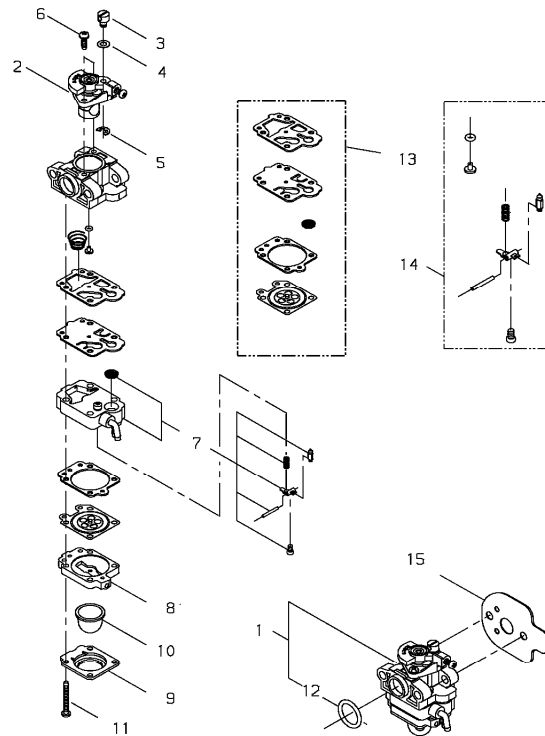
KEY	LV	PART NUMBER	Q'TY	DESCRIPTION	REMARKS	NOTE1	NOTE2
1		68902-71110	1	ROTOR			
2		02403-03100	1	KEY	3*10		
3		20035-71220	1	NUT			
4		68902-71020	1	COIL ASSY			
5	•	62905-71250	1	PLUG CAP			
6	•	62905-71320	1	COIL SPRING			
7		14350-02001	1	LEAD WIRE			
8		20011-72120	1	GROMMET			
9		70030-71620	2	INSULATOR			
10		11024-04265	2	BOLT-SLPW	M4*26	M4x26	
11		13001-10005	1	PLIG	NGK CMR5H	CMR5H	

## 9. RECOIL STARTER



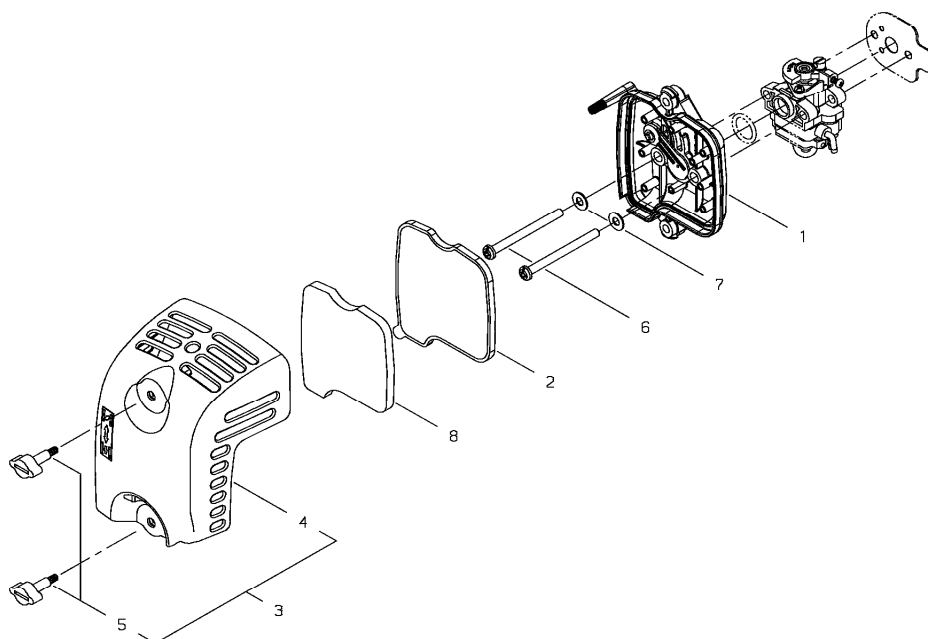
KEY	LV	PART NUMBER	Q'TY	DESCRIPTION	REMARKS	NOTE1	NOTE2
1		62901-75012	1	RECOIL STARTER ASSY			
2	•	62901-75111	1	STARTER CASE			
3	•	62901-75120	1	REEL			
4	•	70064-75130	1	RECOIL SPRING			
5	•	62901-75310	1	DOG			
6	•	70064-75150	1	WAVE WASHER			
7	•	72933-75160	1	SCREW			
8	•	72933-75170	1	RETAINER			
9	•	72933-75180	1	WASHER			
10	•	32004-75140	1	ROPE			
11	•	32004-75150	1	KNOB			
12		70064-75310	1	STARTER PULLEY			
13		01511-08051	1	NUT		M8x1.0	
14		11024-04120	4	BOLT SPW		M4x12	
15		19420-00070	1	LABEL TRADE		shindaiwa	

## 10. CARBURETOR



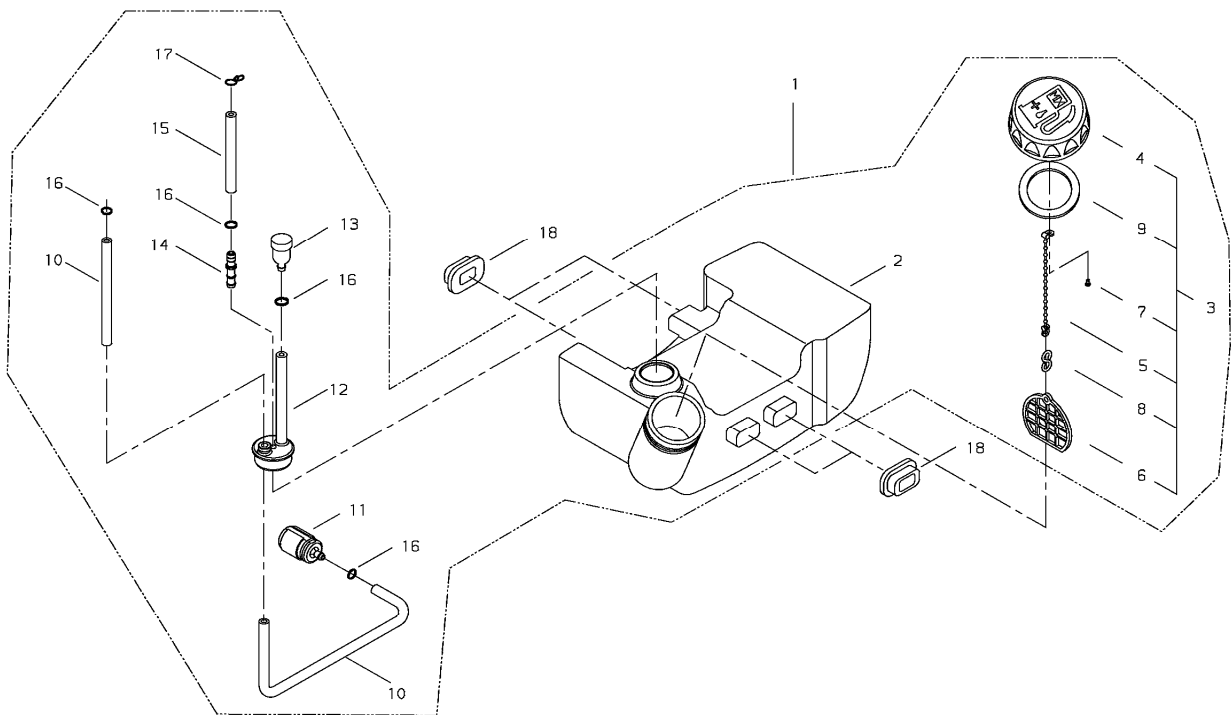
KEY	LV	PART NUMBER	Q'TY	DESCRIPTION	REMARKS	NOTE1	NOTE2
1		68902-81010	1	CARBURETOR ASSY			
2	•	68902-81310	1	VALVE			
3	•	72933-81450	1	SWIVEL			
4	•	20089-81185	1	WASHER			
5	•	20036-81195	1	E RING			
6	•	70064-81290	2	SCREW	M3*10		
7	•	37076-81320	1	PUMP BODY ASSY			
8	•	20016-81420	1	PUMP BASE COMP			
9	•	20016-81510	1	PUMP COVER			
10	•	20036-81670	1	PRIMER PUMP			
11	•	20016-81140	4	SCREW			
12	•	20016-81250	1	O RING			
13	•	68902-98330	1	GASKET-KIT			
14	•	68902-98310	1	VALVE SET			
15		62901-81211	1	GASKET			

## 11. AIR CLEANER



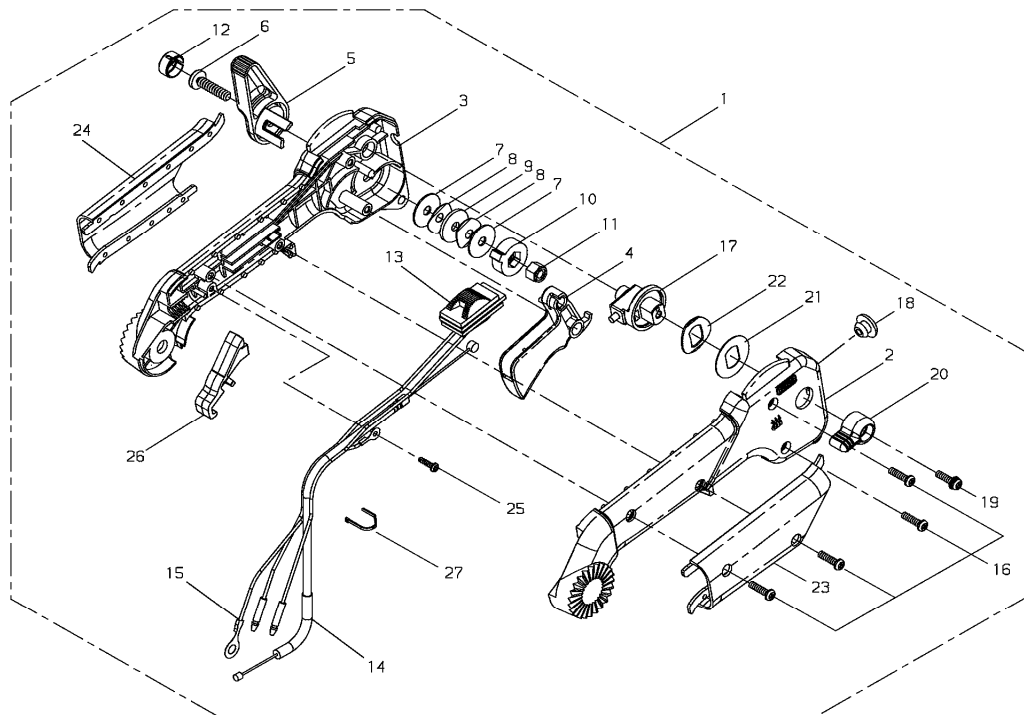
KEY	LV	PART NUMBER	Q'TY	DESCRIPTION	REMARKS	NOTE1	NOTE2
1		68902-82011	1	CLEANER BODY ASSY			
2		62908-82120	1	FILTER			
3		62908-82030	1	CLEANER COVER ASSY			
4	•	62908-82130	1	CLEANER COVER			
5	•	62901-82330	2	KNOB			
6		11203-05605	2	SCREW,PM		M5x60	
7		01613-05080	2	WASHER			
8		62908-82310	1	PREFILTER			

# 12. FUEL TANK



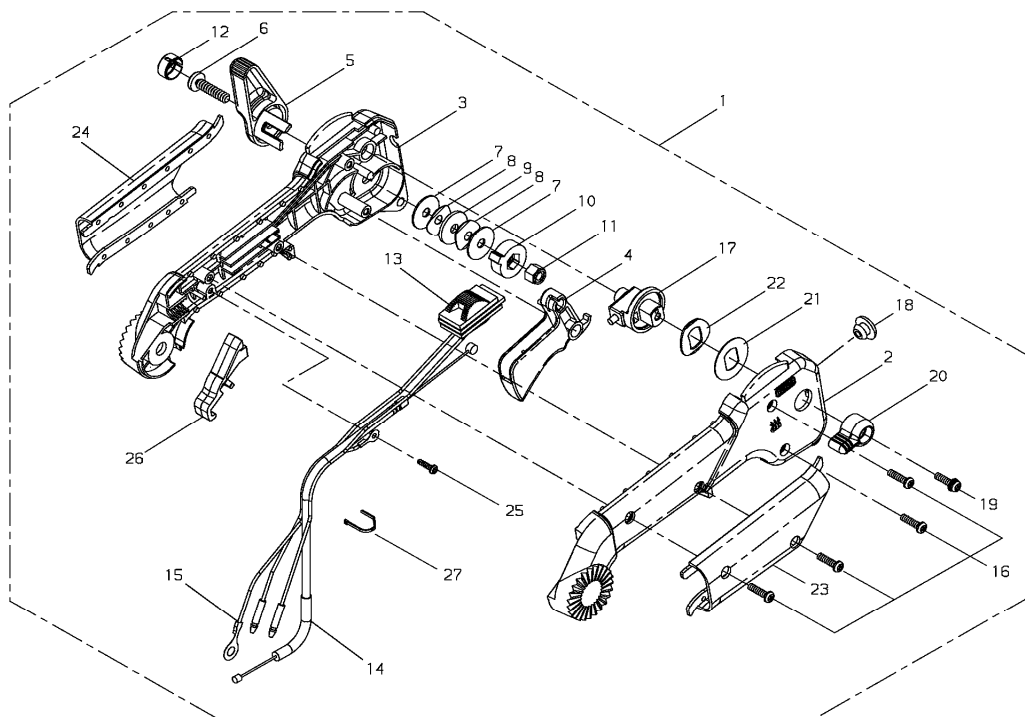
KEY	LV	PART NUMBER	Q'TY	DESCRIPTION	REMARKS	NOTE1	NOTE2
1		68906-85310	1	FUEL TANK ASSY			
2	•	62901-85110	1	FUEL TANK			
3	•	70168-85201	1	FUEL CAP ASSY			
4	• •	70168-85210	1	FUEL CAP			
5	• •	22128-57250	1	CHAIN CAP			
6	• •	22155-21330	1	HOOK			
7	• •	01270-25064	1	SCREW TAPPING			
8	• •	22150-21350	1	CLIP			
9	• •	20000-85221	1	GASKET			
10	•	62901-85310	1	PIPE			
11	•	20016-85400	1	FUEL FILTER			
12	•	20112-85351	1	GROMMET			
13	•	22197-33960	1	VALVE			
14	•	72933-85620	1	JOINT			
15	•	68906-85320	1	PIPE		L50	
16	•	20020-85540	4	CLIP			
17	•	37013-85310	1	CLIP			
18		62901-85220	4	TANK CUSHION			

## 13. THROTTLE LEVER

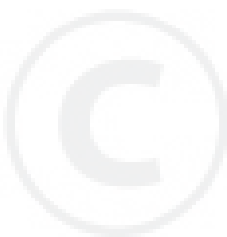


KEY	LV	PART NUMBER	Q'TY	DESCRIPTION	REMARKS	NOTE1	NOTE2
1		68902-84012	1	THROTTLE LEVER ASSY			
2	•	68209-84321	1	BODY RIGHT			
3	•	68209-84331	1	BODY LEFT			
4	•	68209-84340	1	THROTTLE LEVER			
5	•	68209-84350	1	LOCK LEVER			
6	•	68209-84360	1	ADJUST BOLT			
7	•	68209-84370	2	WASHER			
8	•	68209-84380	2	ADJ SPRING			
9	•	68209-84390	1	WASHER			
10	•	68209-84400	1	PLATE			
11	•	68209-84410	1	NYLON NUT			
12	•	68209-84420	1	RUBBER CAP			
13	•	68902-84310	1	SWITCH			
14	•	68902-84320	1	THROTTLE CABLE			
15	•	68902-84330	1	LEAD WIRE			
16	•	68209-84440	4	SCREW			
17	•	68209-84480	1	ADJUSTER ASSY			
18	•	68209-84490	1	PLUG			
19	•	68209-84500	1	SCREW			
20	•	68209-84510	1	SUB LEVER			
21	•	68209-84520	1	WASHER			
22	•	68209-84530	1	ADJ SPRING			
23	•	68209-84541	1	GRIP			
24	•	68209-84551	1	GRIP			
25	•	68209-84561	1	SCREW			
26	•	68902-84340	1	COVER			

# 13. THROTTLE LEVER

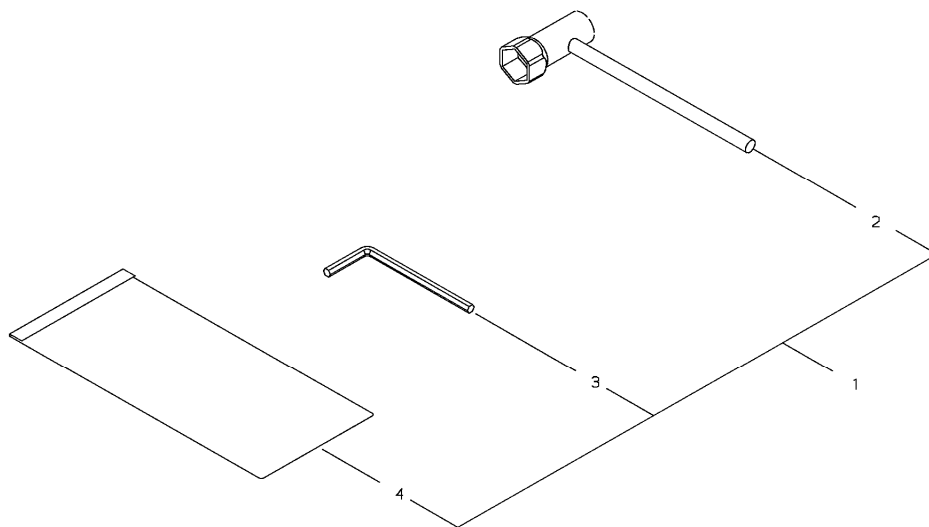


KEY	LV	PART NUMBER	Q'TY	DESCRIPTION	REMARKS	NOTE1	NOTE2
27	•	15210-12306	1	BAND			





## 14. TOOL



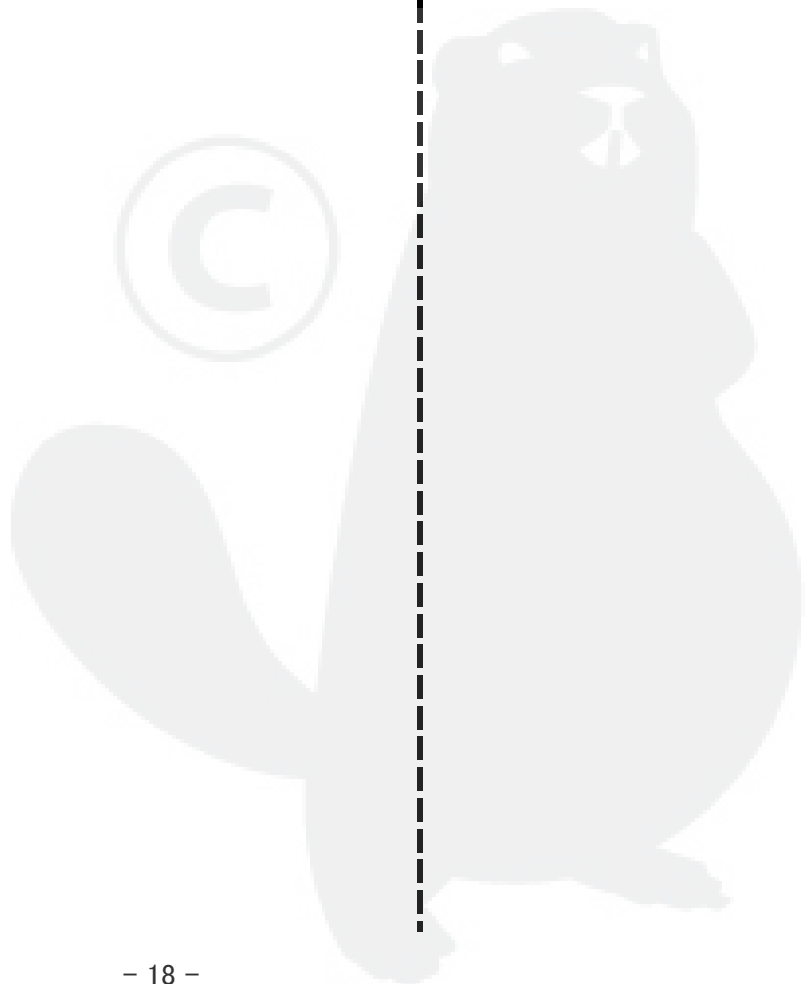
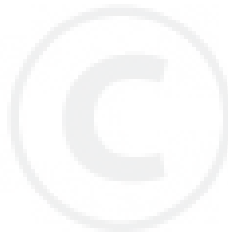
KEY	LV	PART NUMBER	Q'TY	DESCRIPTION	REMARKS	NOTE1	NOTE2
1		68902-92310	1	TOOL SET			
2	•	68902-92320	1	PLUG WRENCH			
3	•	09026-04001	1	HEXA WRENCH	4MM M5㉿	4mm (M5)	
4	•	19639-01400	1	BAG,PACKING	140*200*T0.08		
1		60908-98380	1	SHORT BLOCK			
2		68906-63121	1	NOZZLE			

**Index**

<b>Patrs Number</b>	<b>Key No.</b>	<b>Patrs Number</b>	<b>Key No.</b>	<b>Patrs Number</b>	<b>Key No.</b>
01020-05160	1 - 2	20036-81670	10 - 10	62907-43210	5 - 8
01020-05160	2 - 7	20089-81185	10 - 4	62907-44010	5 - 20
01211-03100	3 - 4	20112-85351	12 - 12	62907-44220	5 - 22
01270-25064	12 - 7	22128-57250	12 - 5	62908-43220	5 - 10
01280-04062	5 - 6	22150-21350	12 - 8	62908-44140	5 - 19
01501-06048	1 - 10	22155-21330	12 - 6	62908-44310	5 - 28
01511-08051	9 - 13	22197-33960	12 - 13	62908-82030	11 - 3
01610-05080	2 - 8	32004-75140	9 - 10	62908-82120	11 - 2
01613-05080	11 - 7	32004-75150	9 - 11	62908-82130	11 - 4
02403-03100	8 - 2	37013-85310	12 - 17	62908-82310	11 - 8
02427-40085	3 - 10	37076-81320	10 - 7	68209-84321	13 - 2
02430-08080	6 - 11	60908-98330	1 - 1	68209-84331	13 - 3
09026-04001	14 - 3	60908-98380	14 - 1	68209-84340	13 - 4
11022-04120	3 - 7	62901-12220	1 - 6	68209-84350	13 - 5
11022-04140	5 - 13	62901-15310	2 - 6	68209-84360	13 - 6
11022-04140	5 - 27	62901-21120	3 - 5	68209-84370	13 - 7
11022-05400	6 - 14	62901-21130	3 - 6	68209-84380	13 - 8
11022-06200	6 - 16	62901-21320	3 - 1	68209-84390	13 - 9
11024-04120	9 - 14	62901-42260	4 - 3	68209-84400	13 - 10
11024-04265	8 - 10	62901-42270	4 - 4	68209-84410	13 - 11
11203-05605	11 - 6	62901-43240	5 - 12	68209-84420	13 - 12
11204-04060	2 - 4	62901-43310	5 - 14	68209-84440	13 - 16
11206-05225	1 - 7	62901-43330	5 - 11	68209-84480	13 - 17
11260-05163	6 - 12	62901-44130	5 - 18	68209-84490	13 - 18
11620-10000	5 - 9	62901-44210	5 - 21	68209-84500	13 - 19
12492-50290	5 - 7	62901-44231	5 - 23	68209-84510	13 - 20
12492-50310	5 - 24	62901-44241	5 - 25	68209-84520	13 - 21
13001-10005	8 - 11	62901-44250	5 - 26	68209-84530	13 - 22
14350-01101	1 - 4	62901-75012	9 - 1	68209-84541	13 - 23
14350-02001	8 - 7	62901-75111	9 - 2	68209-84551	13 - 24
15210-12306	13 - 27	62901-75120	9 - 3	68209-84561	13 - 25
15401-10028	5 - 15	62901-75310	9 - 5	68900-31311	3 - 9
17343-06000	6 - 15	62901-81211	10 - 15	68902-12310	1 - 5
17503-18000	6 - 7	62901-82330	11 - 5	68902-15010	2 - 1
17520-08900	5 - 4	62901-85110	12 - 2	68902-15140	2 - 3
19402-00148	6 - 18	62901-85220	12 - 18	68902-15210	2 - 5
19402-00205	3 - 12	62901-85310	12 - 10	68902-31112	3 - 8
19420-00070	9 - 15	62902-12310	1 - 3	68902-61111	6 - 1
19639-01400	14 - 4	62902-15131	2 - 2	68902-61130	6 - 3
20000-85221	12 - 9	62902-41310	4 - 1	68902-61310	6 - 4
20011-72120	8 - 8	62902-42020	4 - 2	68902-61322	6 - 5
20016-81140	10 - 11	62902-43310	5 - 2	68902-61330	6 - 6
20016-81250	10 - 12	62902-44111	5 - 16	68902-61343	6 - 9
20016-81420	10 - 8	62902-44121	5 - 17	68902-61351	6 - 10
20016-81510	10 - 9	62905-43011	5 - 1	68902-71020	8 - 4
20016-85400	12 - 11	62905-43131	5 - 5	68902-71110	8 - 1
20020-85540	12 - 16	62905-71250	8 - 5	68902-81010	10 - 1
20035-71220	8 - 3	62905-71320	8 - 6	68902-81310	10 - 2
20036-81195	10 - 5	62907-43120	5 - 3	68902-82011	11 - 1

**Index**

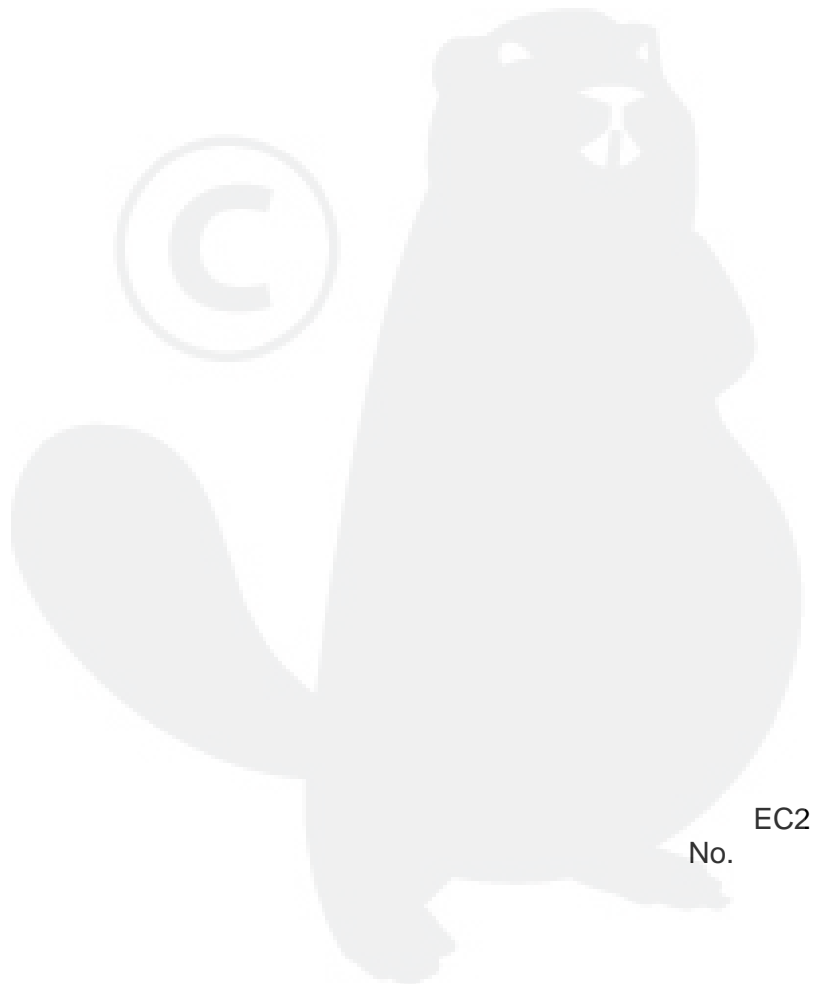
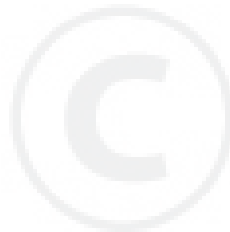
<b>Patrs Number</b>	<b>Key No.</b>	<b>Patrs Number</b>	<b>Key No.</b>	<b>Patrs Number</b>	<b>Key No.</b>
68902-83310	1 - 8				
68902-83320	1 - 9				
68902-84012	13 - 1				
68902-84310	13 - 13				
68902-84320	13 - 14				
68902-84330	13 - 15				
68902-84340	13 - 26				
68902-91320	6 - 17				
68902-92310	14 - 1				
68902-92320	14 - 2				
68902-98310	10 - 14				
68902-98330	10 - 13				
68906-63121	14 - 2				
68906-85310	12 - 1				
68906-85320	12 - 15				
68912-61120	6 - 2				
68912-63110	7 - 1				
68912-63120	7 - 2				
70030-71620	8 - 9				
70064-75130	9 - 4				
70064-75150	9 - 6				
70064-75310	9 - 12				
70064-81290	10 - 6				
70140-31480	3 - 11				
70140-31480	6 - 13				
70168-85201	12 - 3				
70168-85210	12 - 4				
72320-83121	3 - 2				
72320-83132	3 - 3				
72933-61320	6 - 8				
72933-75160	9 - 7				
72933-75170	9 - 8				
72933-75180	9 - 9				
72933-81450	10 - 3				
72933-85620	12 - 14				



# YAMABIKO CORPORATION

7-2 SUEHIROCHO 1-CHOME, OHME, TOKYO 198-8760, JAPAN  
PHONE: 81-428-32-6118. FAX: 81-428-32-6145.

**shindaiwa<sup>®</sup>**



EC2  
No.