

Shindaiwa Illustrated Parts List

EB240 CE Blower

CYLINDER / MUFFLER	2
CRANKCASE	3
VOLUTE / THROTTLE LEVER	4
ROTOR / COIL ASSEMBLY	5
CARBURETOR / CLEANER	6
RECOIL STARTER	7
FUEL TANK	8
PISTON / CRANKSHAFT	9
TOOL SET	9

www.shindaiwa.com

11975 SW Herman Road

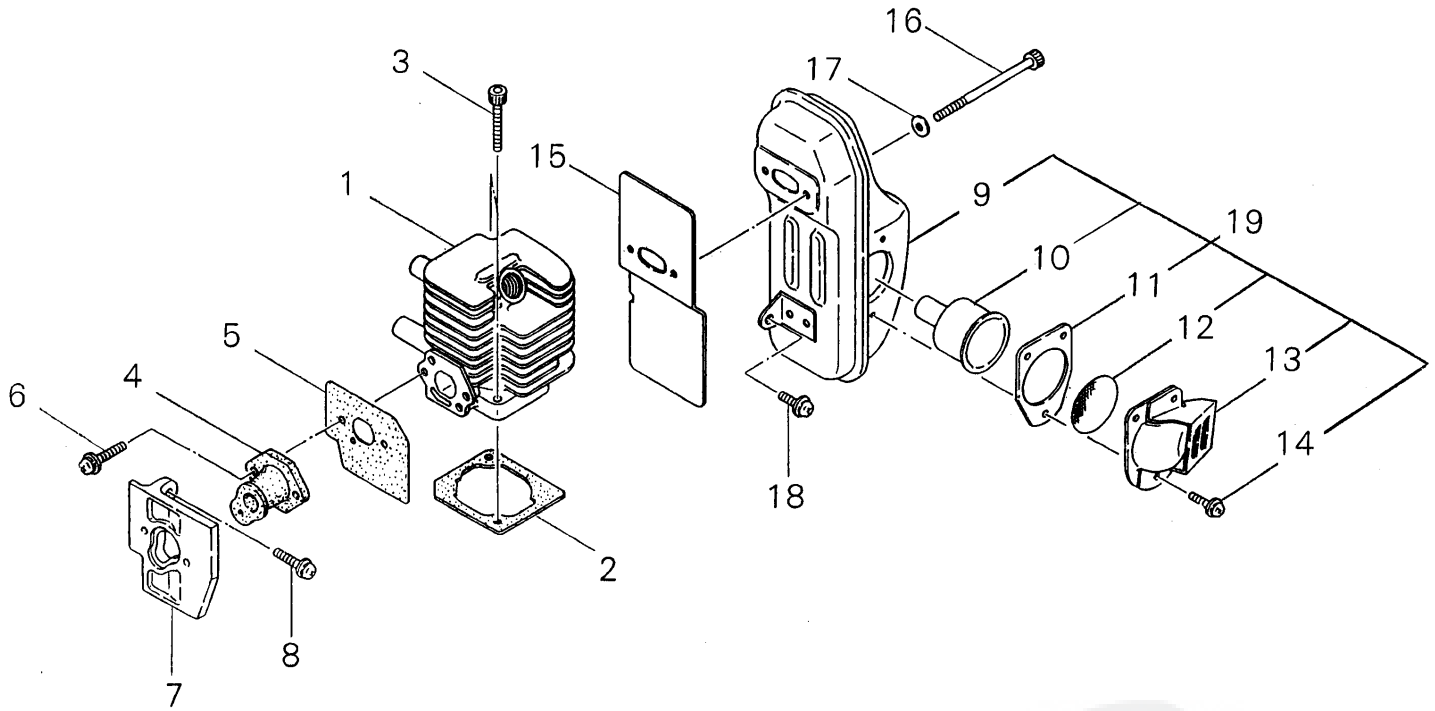
Tualatin, Oregon 97062, U.S.A.

1 + 503.692.3070 • fax 1 + 503.692.6696 •

shindaiwa

CYLINDER / MUFFLER

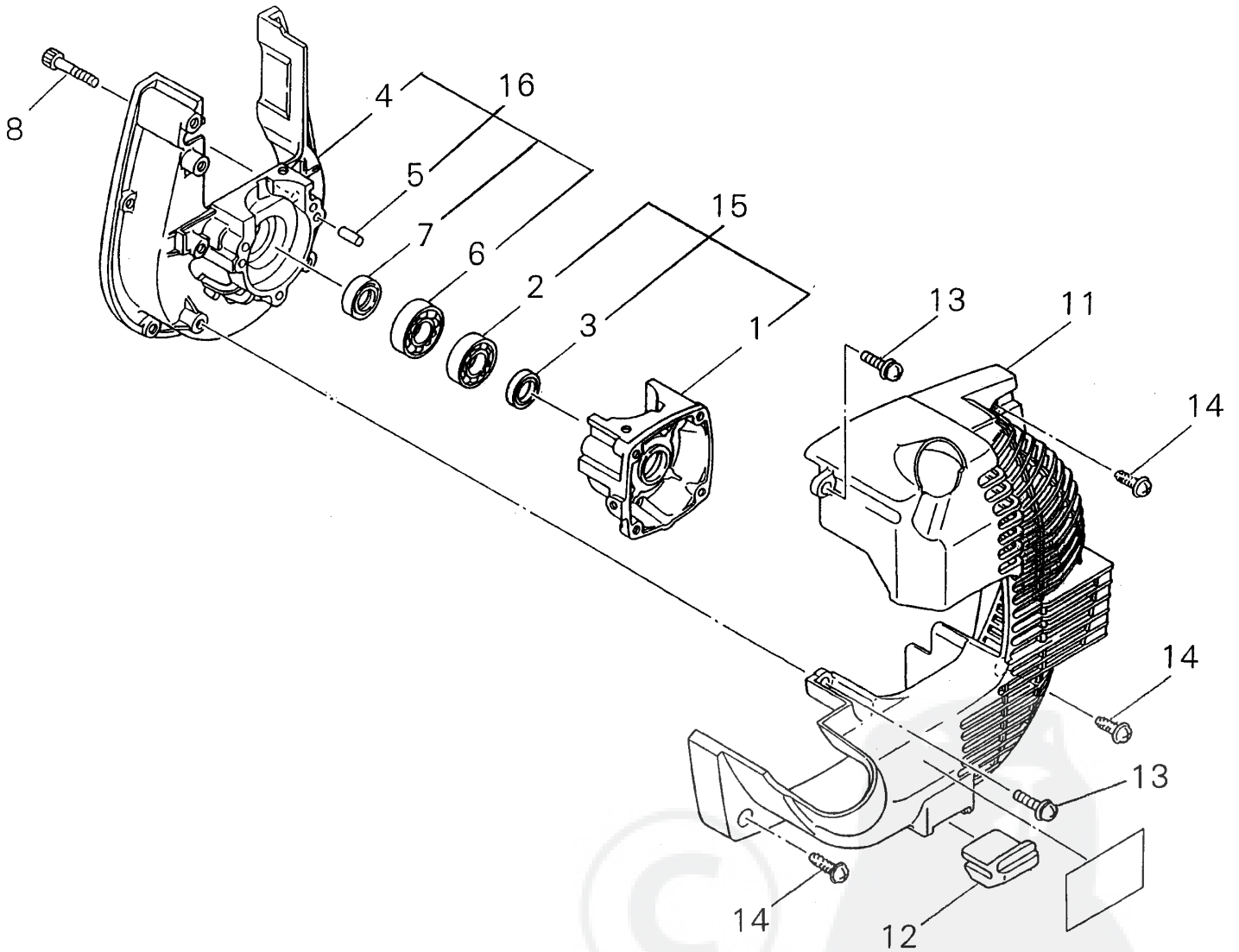
ILLUSTRATION 1 - REV 11/02



Ref. No	Part No.	Part Name	Q'ty
1-1	72934-12111	CYLINDER	1
2	20870-12120	GASKET	1
3	01020-05200	BOLT	2
4	72933-12211	BOOT	1
5	72933-12220	GASKET	1
6	11207-05160	SCREW PMSLPW	2
7	72933-12310	HOLDER	1
8	11207-05160	SCREW PMSLPW	2
19	72933-15100	MUFFLER ASSEMBLY	1
9	72933-15110	*MUFFLER	1
10	72933-15120	*CHAMBER	1
11	72933-15131	*GASKET	1
12	72933-15140	*SPARK ARRESTER	1
13	72933-15150	*GUIDE PLATE	1
14	11206-04100	*SCREW PM	3
15	68234-15210	GASKET	1
16	01020-05550	BOLT	2
17	01610-05080	WASHER	2
18	11207-05160	SCREW PMSLPW	1

CRANKCASE

ILLUSTRATION 2 - REV 11/02

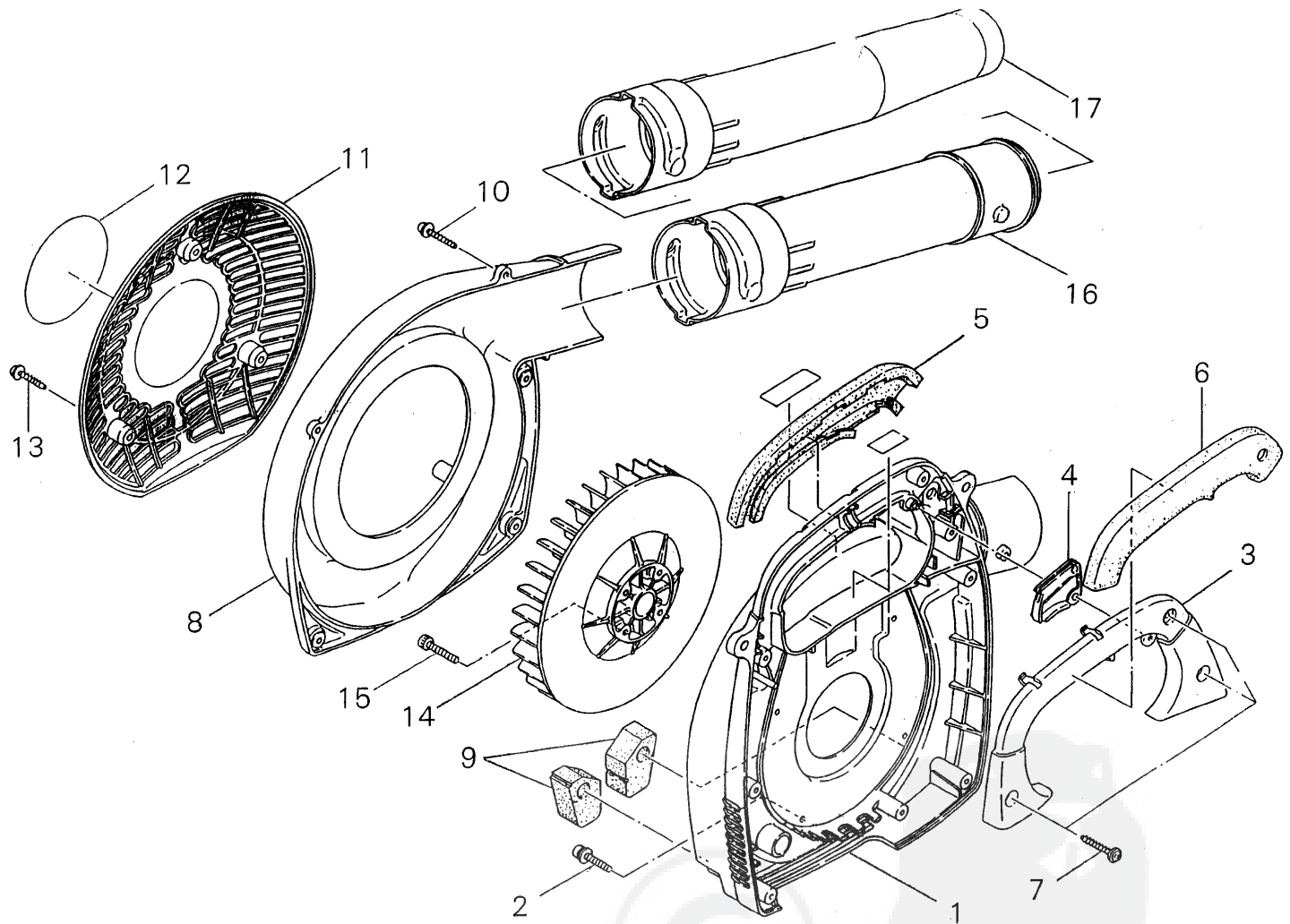


Ref. No	Part No.	Part Name	Q'ty
2-15	20035-21100	CRANKCASE S COMP	1
1	20036-21111	*CRANKCASES	1
2	12900-60010	*BEARING	1
3	22150-21250	*OIL SEAL	1
16	72933-21200	CRANKCASE M COMP	1
4	72933-21210	*CRANKCASE M	1
5	12492-40080	*ROLLER	2
6	02030-06201	*BEARING	1
7	20000-21211	*OIL SEAL	1
8	01020-05250	BOLT	3
11	72933-31111	ENGINE COVER	1
12	72933-31121	CUSHION	1
13	11207-05160	SCREW PMSLPW	2
14	22160-32220	SCREW PC	3

* Denotes item is part of an assembly ** Denotes item is part of a sub-assembly

VOLUTE / THROTTLE LEVER

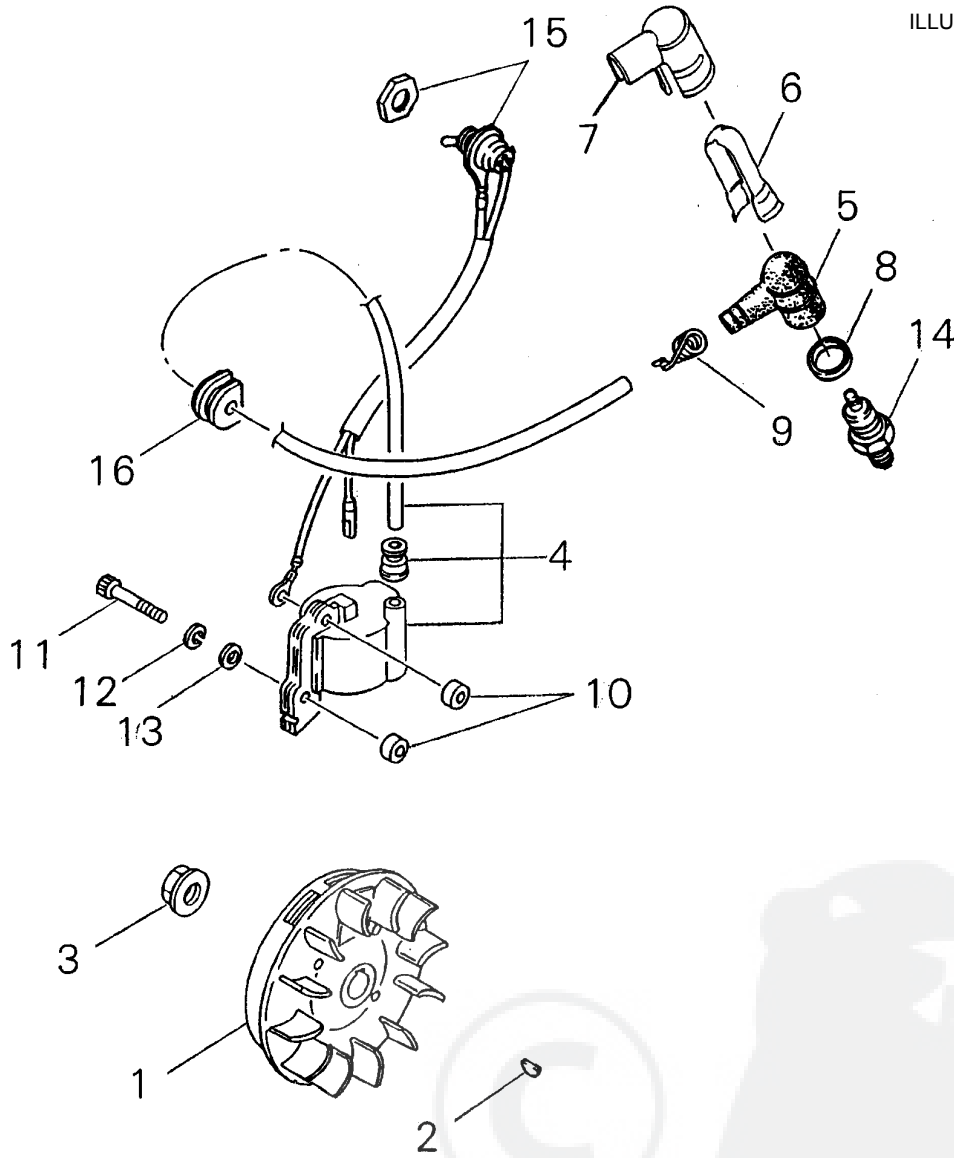
ILLUSTRATION 4 - REV 11/02



Ref. No	Part No.	Part Name	Q'ty
4-1	72934-61110	VOLUTE CASE	1
2	11207-05160	SCREW PMSLPW	4
3	72933-61121	HANDLE COVER	1
4	72933-61210	THROTTLE LEVER	1
5	72933-61231	GRIP	1
6	72933-61241	GRIP	1
7	22160-32210	SCREW PC	3
8	72933-61310	VOLUTE COVER	1
9	72933-61320	CUSHION	2
10	22160-32210	SCREW PC	5
11	72933-61411	INTAKE COVER	1
12	72933-61421	LABEL TRADE	1
13	22160-32210	SCREW PC	3
14	72933-62110	FAN	1
15	01020-05200	BOLT	4
16	72933-63110	PIPE	1
17	72933-63122	NOZZLE	1

ROTOR / COIL ASSEMBLY

ILLUSTRATION 5 - REV 11/02

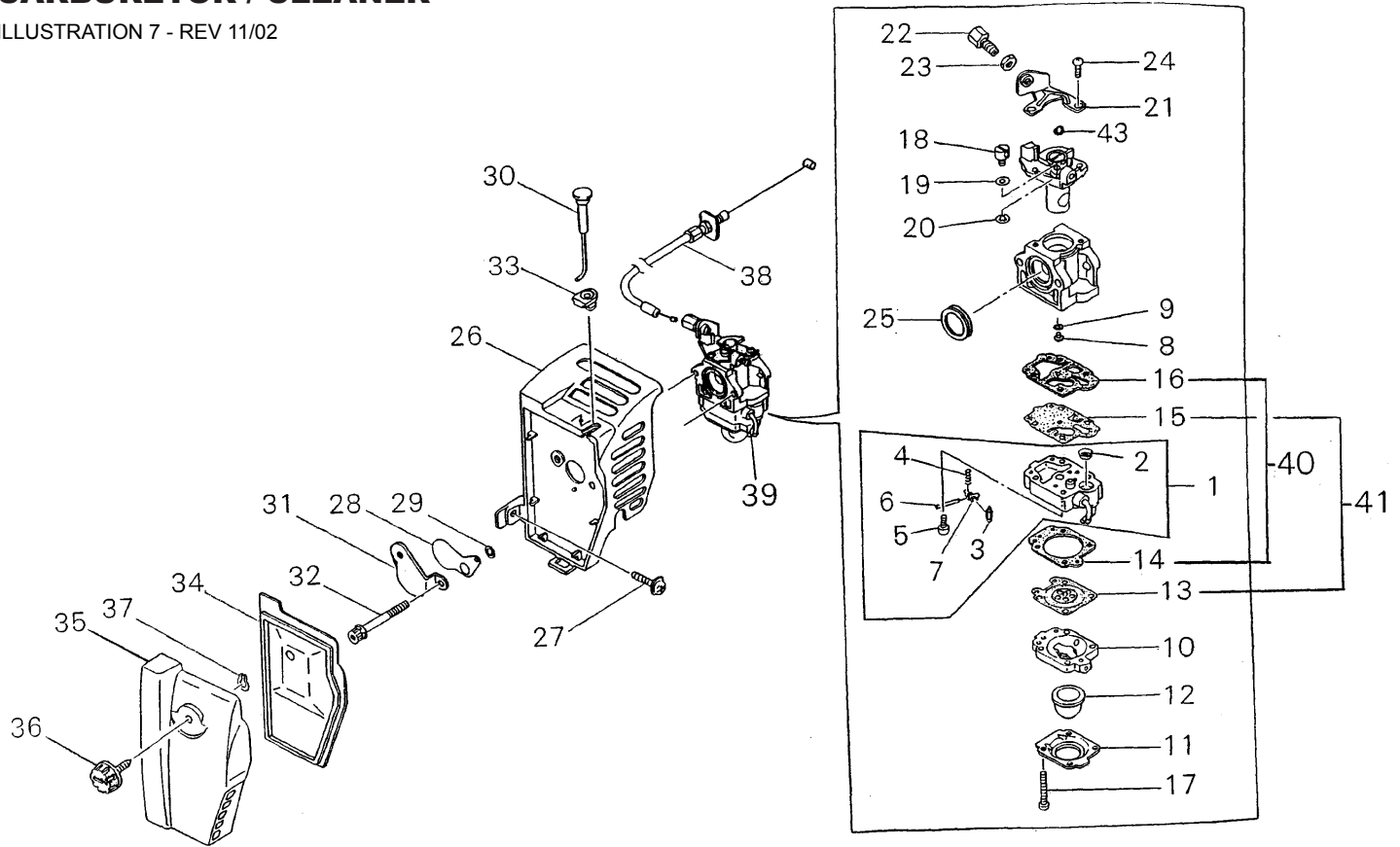


Ref. No	Part No.	Part Name	Q'ty
5-1	72933-71200	ROTOR	1
2	02403-03100	KEY	1
3	20035-71220	NUT	1
4	72933-71600	COIL ASSEMBLY	1
5	20010-72221	PLUG CAP	1
6	70180-72260	SHIELD	1
7	20000-72241	PLUG CAP COVER	1
8	20000-72250	COVER BAND	1
9	20000-72230	SPRING SPARKPLUG	1
10	70030-71620	INSULATOR	2
11	01020-04260	BOLT	2
12	01600-04101	SPRING WASHER	2
13	20010-71650	WASHER	1
14	13000-13406	SPARKPLUG BMR6A	1
15	72933-74110	SWITCH	1
16	20011-72110	GROMMET	1

* Denotes item is part of an assembly ** Denotes item is part of a sub-assembly

CARBURETOR / CLEANER

ILLUSTRATION 7 - REV 11/02

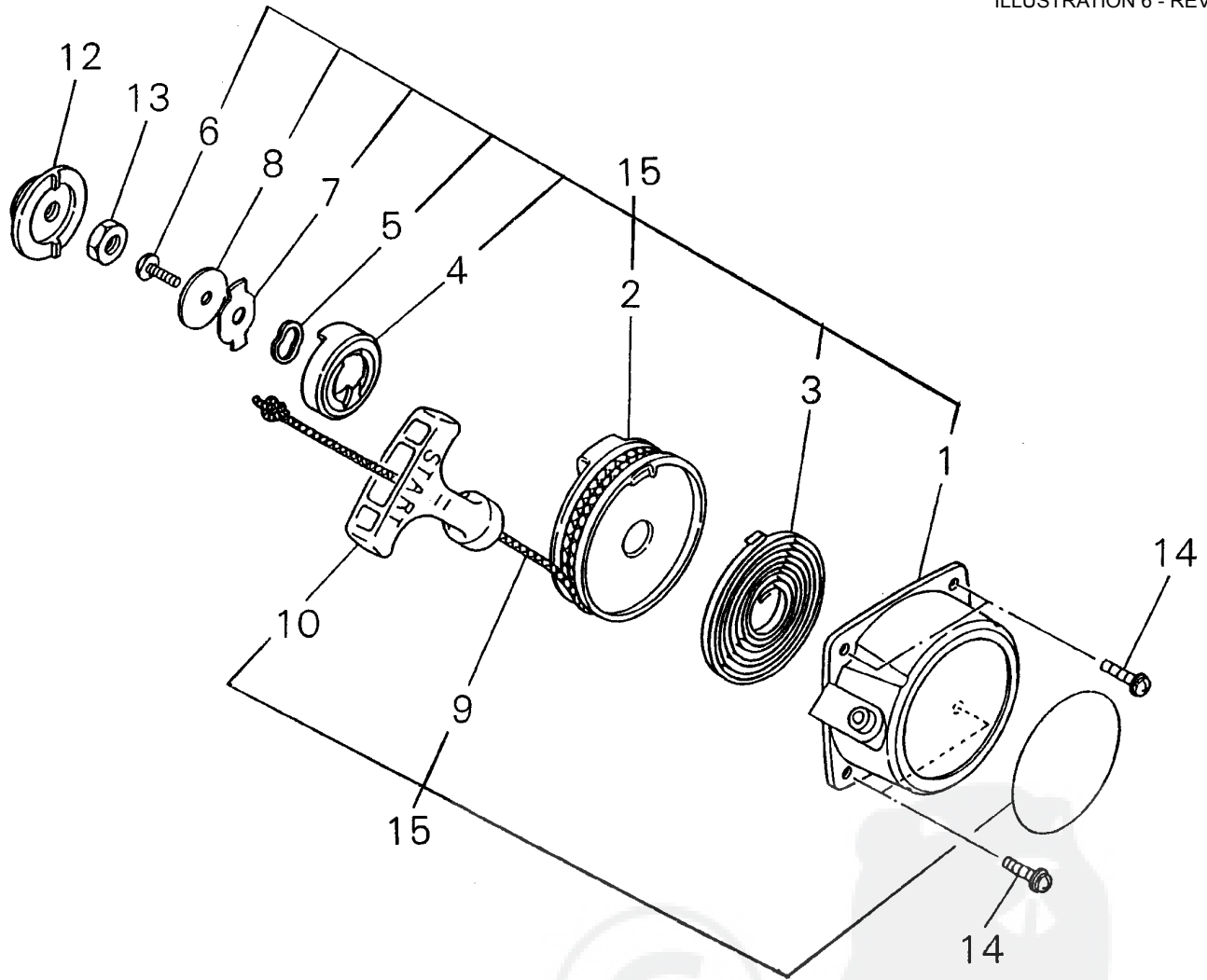


Ref. No	Part No.	Part Name	Q'ty
7-39	72934-81001	CARBURETOR ASSEMBLY	1
1	72933-81411	*PUMP BODY ASSEMBLY	1
2	70030-81380	**SCREEN	1
3	20036-81440	**NEEDLE VALVE	1
4	72933-81270	**SPRING	1
5	20016-81450	**SCREW	1
6	22100-81250	**PIN	1
7	22100-81230	**LEVER	1
8	72934-81231	*MAIN JET	1
9	70097-81220	*O-RING	1
10	20016-81420	*PUMP BASE COMP	1
11	20016-81510	*PUMP COVER	1
12	20036-81670	*PRIMER PUMP	1
13	22100-81260	*DIAPHRAGM ASSEMBLY	1
14	20016-81280	*GASKET	1
15	70097-81320	*DIAPHRAGM	1
16	70097-81310	*GASKET PUMP	1
17	20016-81140	*SCREW	4
43	20870-81230	*BALL	1
18	72933-81450	*SWIVEL	1
19	20089-81185	*WASHER	1
20	20036-81195	*E-RING	1
21	20089-81130	*BRACKET	1

Ref. No	Part No.	Part Name	Q'ty
22	20089-81110	*CABLE ADJUSTER	1
23	20036-81120	*NUT	1
24	70097-81290	*SCREW	2
25	72933-81250	*RING GASKET	1
26	72934-82111	CLEANER BODY	1
27	22160-32210	SCREW PC	1
28	72933-82130	CHOKE PLATE	1
29	22100-82110	WASHER CARBURETOR	1
30	72933-82140	CHOKE ROD	1
31	72933-82150	BACKPLATE	1
32	11022-05450	BOLT SPW	2
33	72933-82180	GROMMET	1
34	72933-82210	FILTER	1
35	72933-82230	CLEANER COVER	1
36	70064-32130	SCREW	1
37	02439-05080	GRIP RING	1
38	72934-83110	THROTTLE CABLE	1
40	20016-81910	GASKET KIT	1
14	20016-81280	*GASKET	1
16	70097-81310	*GASKET PUMP	1
41	70097-81920	DIAPHRAGM KIT	1
13	22100-81260	*DIAPHRAGM ASSEMBLY	1
15	70097-81320	*DIAPHRAGM	1

RECOIL STARTER

ILLUSTRATION 6 - REV 11/02



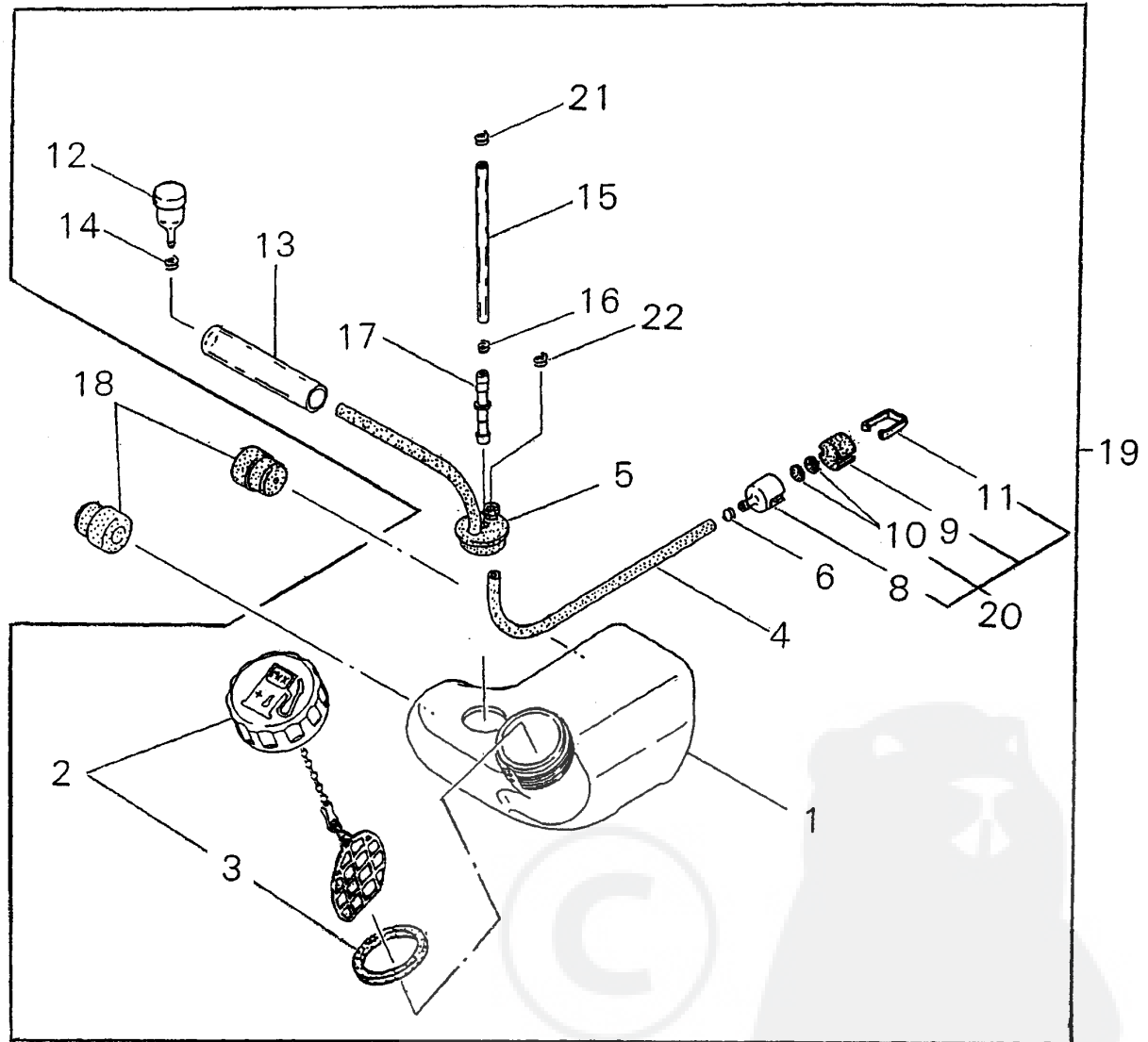
Ref. No	Part No.	Part Name	Q'ty
6-15	72933-75101	RECOIL STARTER SUB ASSEMBLY	1
1	70064-75110	*STARTER CASE	1
1	20064-75110	*STARTER CASE	1
1	70064-75110	*STARTER CASE	1
2	72933-75120	*REEL	1
2	20064-75120	*REEL	1
2	72933-75120	*REEL	1
3	70064-75130	*RECOIL SPRING	1
3	20140-75130	*SPRING	1
3	70064-75130	*RECOIL SPRING	1
4	72933-75140	*DOG	1
4	20140-75140	*DOG	1
4	72933-75140	*DOG	1
5	70064-75150	*WAVE WASHER	1
5	20140-75150	*BRAKE SPRING	1
5	70064-75150	*WAVE WASHER	1
6	72933-75160	*SCREW	1

Ref. No	Part No.	Part Name	Q'ty
6	20140-75160	*SCREW	1
6	72933-75160	*SCREW	1
7	72933-75170	*RETAINER	1
7	20140-75170	*RETAINER	1
7	72933-75170	*RETAINER	1
8	72933-75180	*WASHER	1
8	20140-75180	*WASHER	1
8	72933-75180	*WASHER	1
9	70064-75190	*ROPE	1
9	32004-75140	*ROPE	1
9	70064-75190	*ROPE	1
10	32004-75150	*KNOB	1
10	72933-75210	*HANDLE	1
11	70117-75311	*NAMEPLATE	1
12	70064-75310	STARTER PULLEY	1
13	01511-08051	NUT	1
14	11207-04120	SCREW PMSLPW	4

* Denotes item is part of an assembly ** Denotes item is part of a sub-assembly

FUEL TANK

ILLUSTRATION 8 - REV 11/02

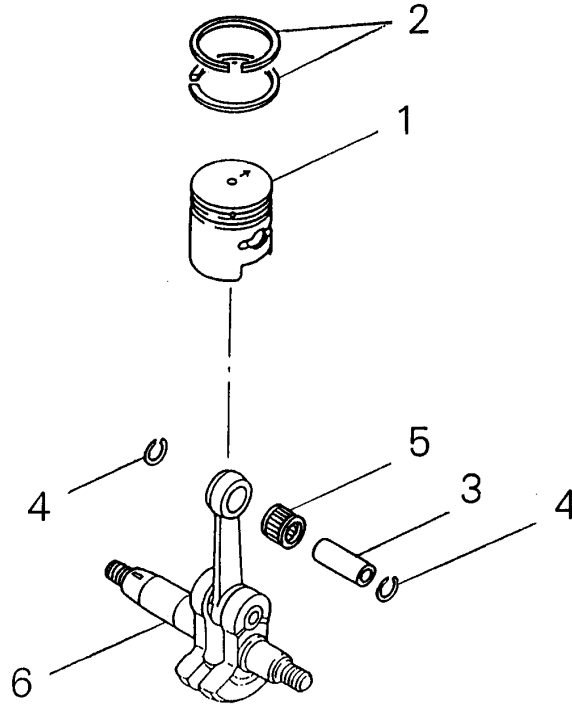


Ref. No	Part No.	Part Name	Q'ty
8-19	68204-85013	FUEL TANK ASSEMBLY	1
1	72933-85110	*FUEL TANK	1
2	68204-85020	*FUEL CAP ASSEMBLY	1
3	20000-85221	**GASKET	1
4	72933-85310	*PIPE	1
5	72933-85350	*GROMMET	1
6	20020-85540	*CLIP	1
20	70030-85401	*FUEL FILTER COMP	1
8	70030-85411	**WEIGHT FUEL	1
9	70030-85420	**FILTER A	1

Ref. No	Part No.	Part Name	Q'ty
10	70030-85431	**FILTER B	2
11	70030-85440	**CLIP FILTER	1
12	20035-85522	*VALVE	1
13	72933-85530	*PIPE	1
14	20020-85540	*CLIP	1
15	72933-85611	*PIPE	1
16	20020-85540	*CLIP	1
17	72933-85620	*JOINT	1
18	72933-86110	CUSHION	2
22	20020-85540	CLIP	1
21	37013-85310	CLIP	1

PISTON / CRANKSHAFT

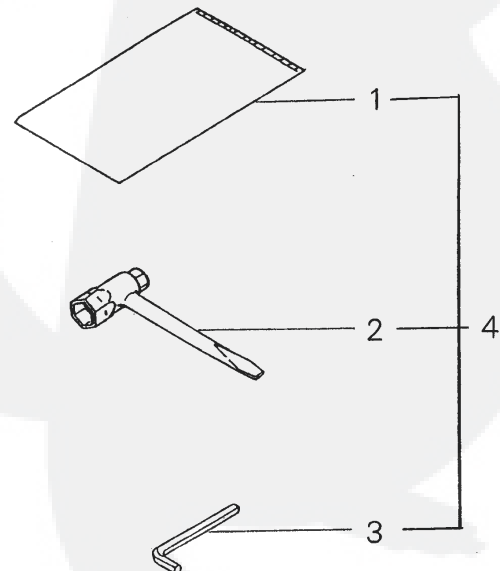
ILLUSTRATION 3 - REV 11/02



Ref. No	Part No.	Part Name	Q'ty
3- 1	72933-41111	PISTON	1
2	72933-41210	PISTON RING	2
3	72933-41310	PISTON PIN	1
4	70030-41320	SNAP RING	2
5	72933-41330	NEEDLE BEARING	1
6	72933-42001	CRANKSHAFT ASSEMBLY	1

TOOL SET

ILLUSTRATION 9 - REV 11/02



Ref. No	Part No.	Part Name	Q'ty
9- 4	72490-91000	TOOLSET	1
1	19639-01100	*POLYBAG	1
2	22000-91181	*PLUG WRENCH	1
3	09026-04001	*HEX A WRENCH	1

* Denotes item is part of an assembly ** Denotes item is part of a sub-assembly



shindaiwa

www.shindaiwa.com

11975 SW Herman Road, Tualatin, Oregon 97062, U.S.A.

1 + 503.692.3070 • fax 1 + 503.692.6696 •

Item #xxxx Effective 11/02