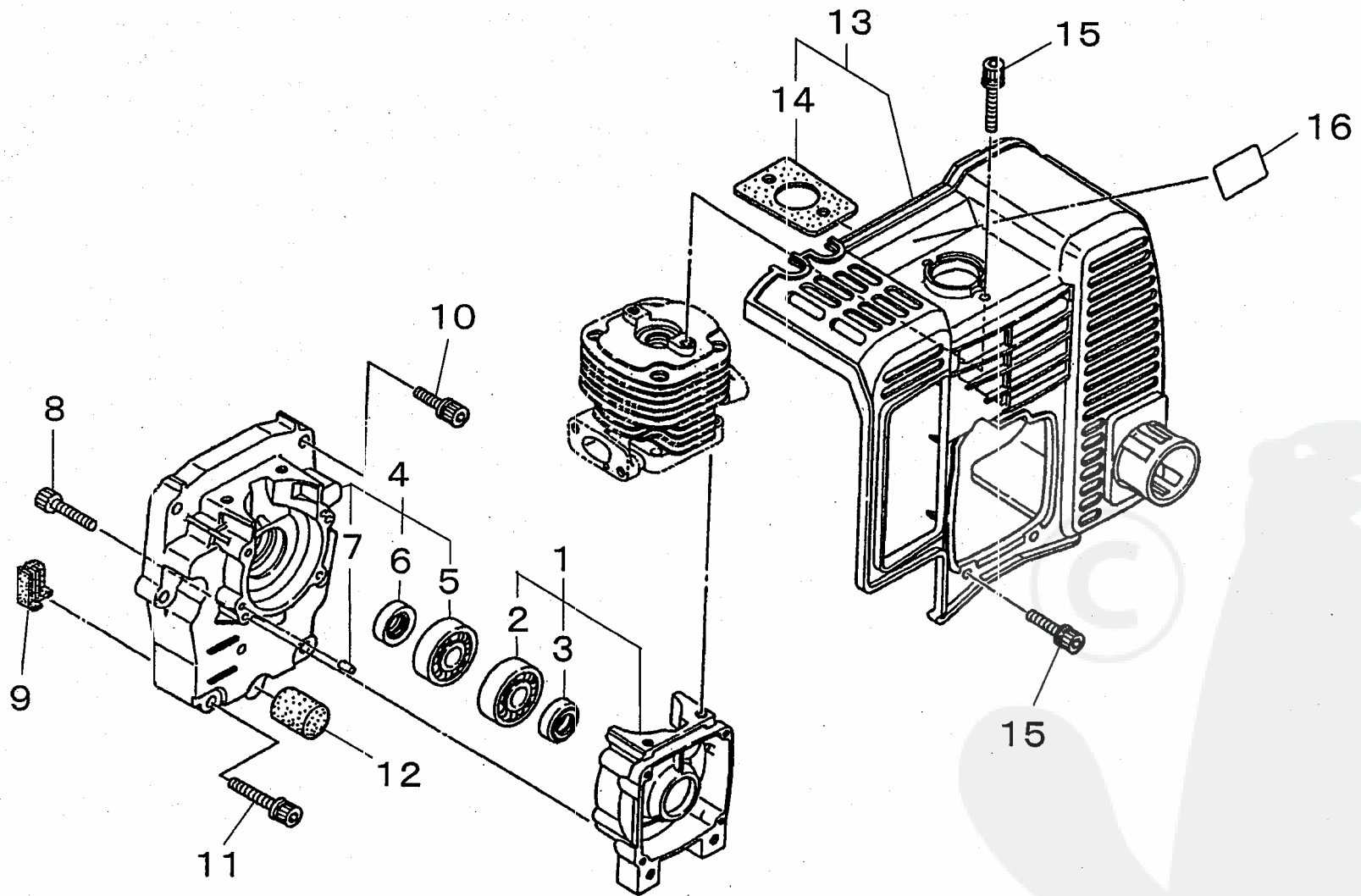


PRICE: (¥)

Ref. No.	Part No.	Part Name	Qty	Unit Price	Remarks
1- 1	72935-12111	CYLINDER	1		
2	72935-12120	GASKET	1		
3	11060-05253	BOLT ADHESIVE	4		
4	68200-12210	INSULATOR	1		
5	20011-12260	NUT	2		
6	72935-12221	GASKET	1		
7	22160-31150	BOLT SW	2		
8	68200-15010	MUFFLER ASSY	1		
9	70029-15120	• ARESTER	1		
10	68200-15140	• TAIL PIPE	1		
11	70029-15140	• GASKET PIPE	1		
12	11206-04120	• SCREW PM SPW	3		
13	72935-15211	GASKET	1		
14	01020-06700	BOLT	2		
15	01610-06080	WASHER	2		
16	11024-05120	BOLT SLPW	1		

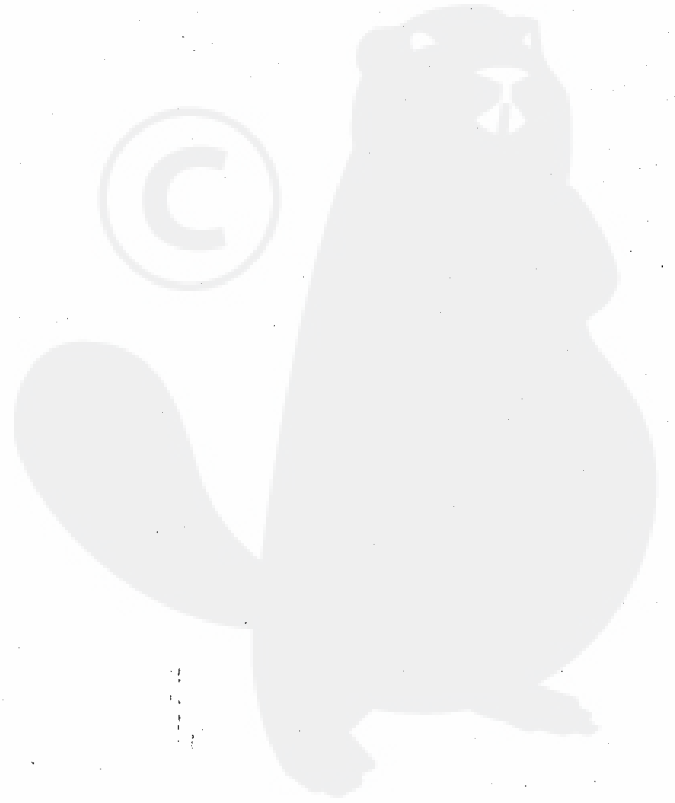
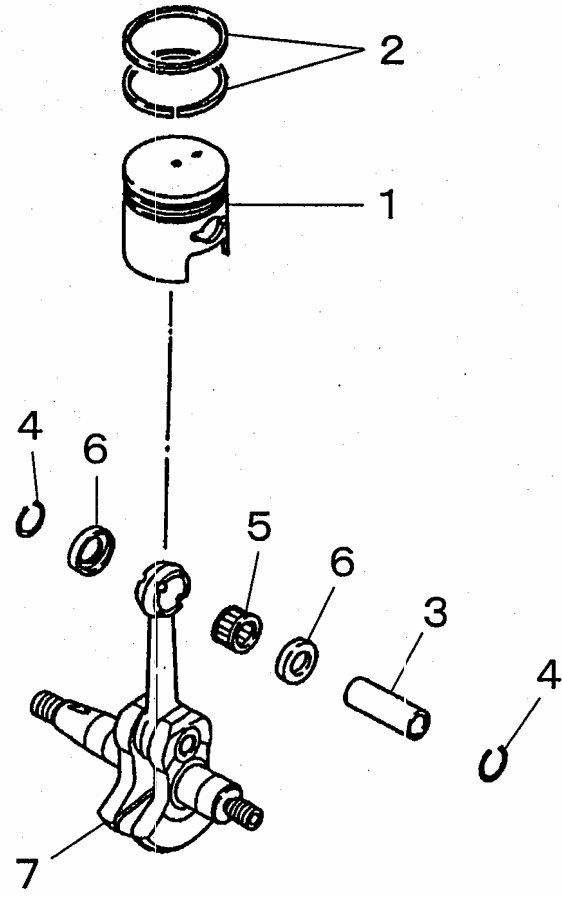
PARTS LIST
SHINDAIWA
(L138 LIA0380P)

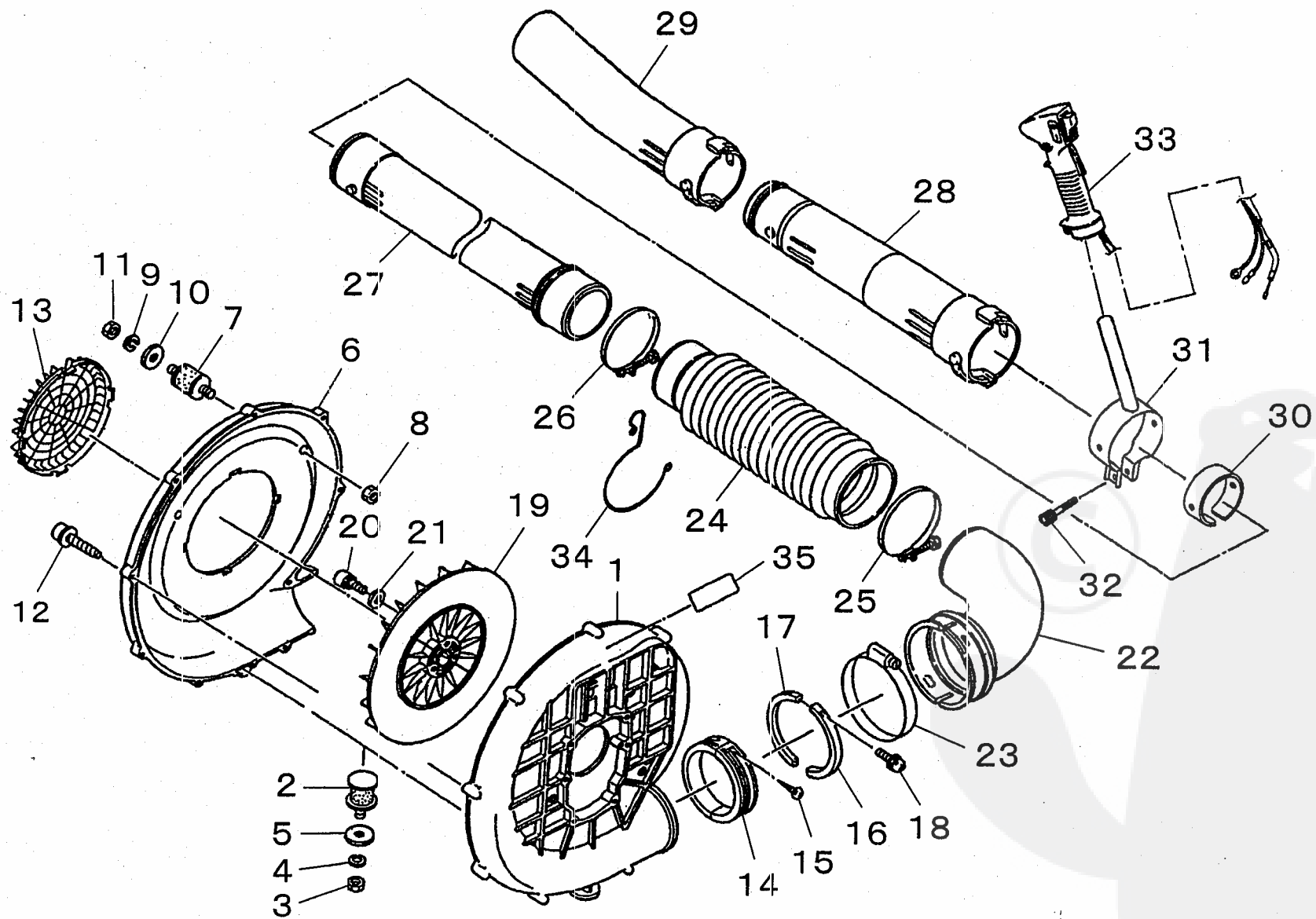
EB500/CE



PRICE: (¥)

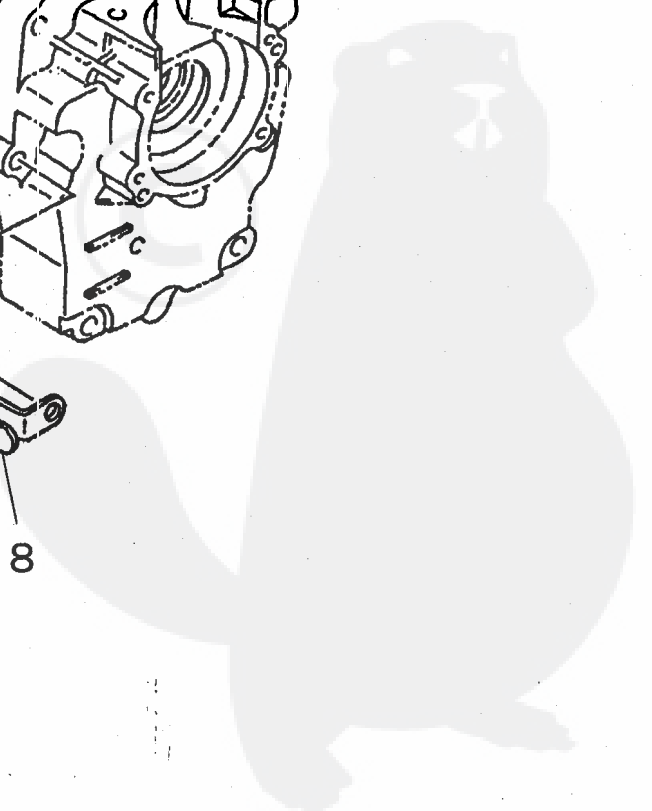
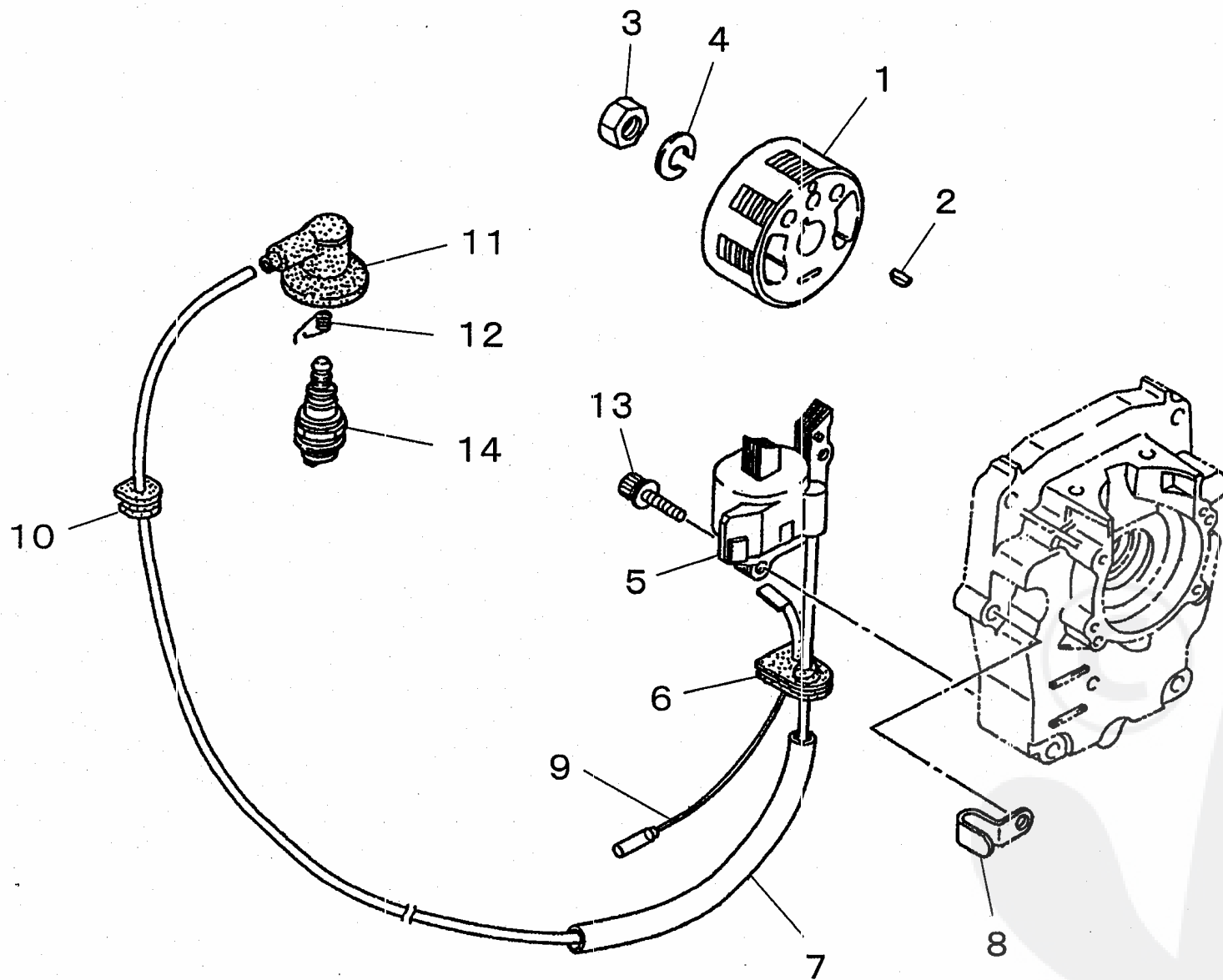
Ref. No	Part No.	Part Name	Qty	Unit Price	Remarks
2-	1	72935-21101	CRANK CASE S COMP	1	
	2	02030-06202	• BEARING	1	
	3	20010-21211	• OIL SEAL	1	
	4	72935-21200	CASE M COMP	1	
	5	02030-06202	• BEARING	1	
	6	20010-21211	• OIL SEAL	1	
	7	12492-50100	• ROLLER	2	
	8	11060-05300	BOLT ADHESIVE	4	
	9	72935-21220	SEAL	1	
	10	11060-06300	BOLT ADHESIVE	4	
	11	11060-06450	BOLT ADHESIVE	2	
	12	72935-21230	CUSHION	1	
	13	72935-31112	ENGINE COVER	1	
	14	20028-32130	GASKET COVER	1	
	15	11060-05162	BOLT ADHESIVE	4	
	16	19402-00148	LABEL CAUTION	1	





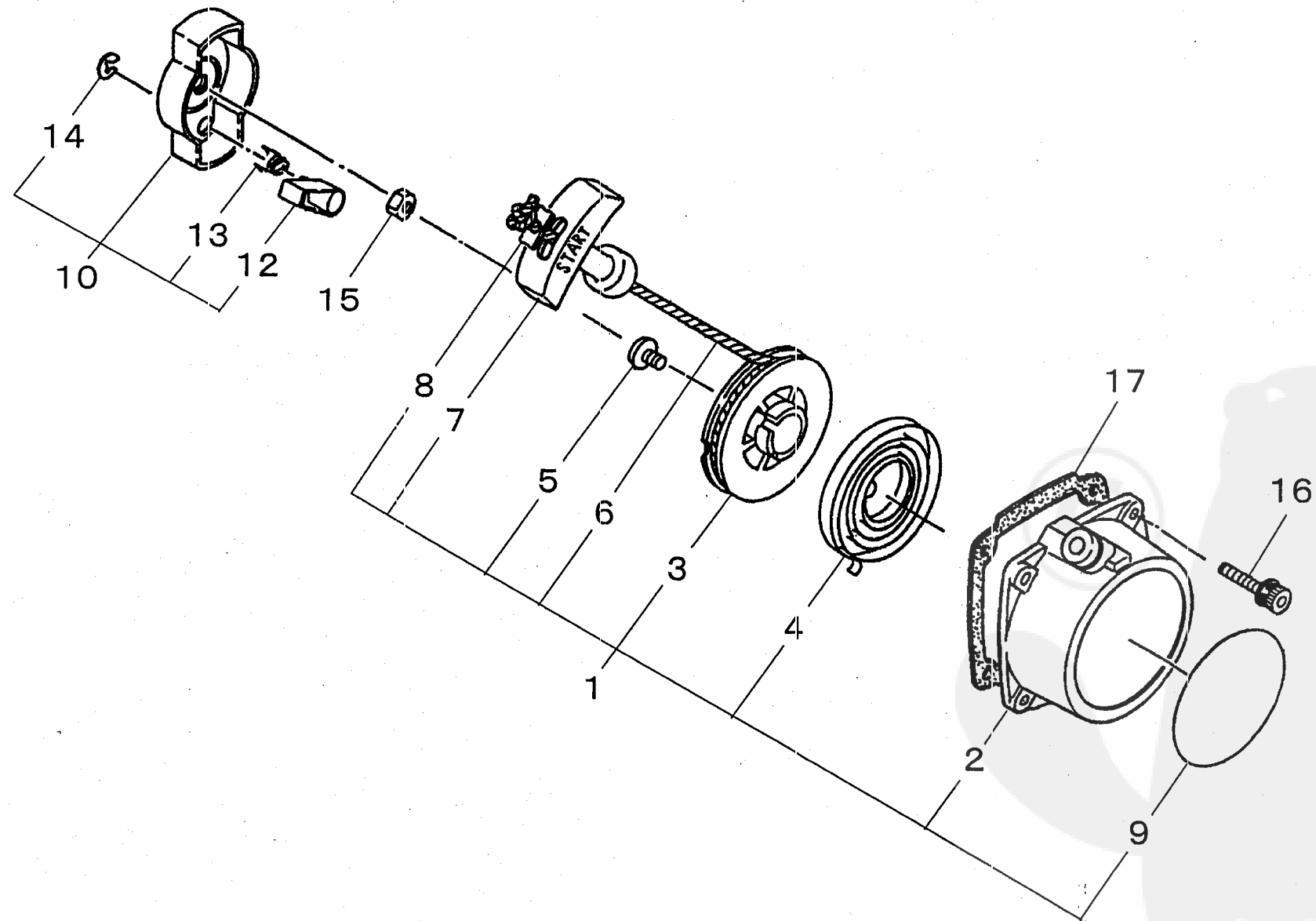
PRICE: (¥)

Ref. No.	Part No.	Part Name	Q'ty	Remarks
4- 1	72935-61111	VOLUTE CASE	1	
2	72935-61120	CUSHION	1	
3	01500-06051	NUT	1	
4	01600-06151	SPRING WASHER	1	
5	15401-10016	COLLAR	1	
6	72935-61211	VOLUTE COVER	1	
7	72935-61220	CUSHION	2	
8	01500-05041	NUT	2	
9	01600-05131	SPRING WASHER	2	
10	22104-31620	WASHER	2	
11	01500-05041	NUT	2	
12	72935-61230	BOLT TAPPING	9	
13	72935-61310	INTAKE COVER	1	
14	72935-61410	SLEEVE	1	
15	11270-03202	SCREW TAPPING	1	
16	72935-61420	RING	1	
17	72935-61430	RING	1	
18	11203-03250	SCREW PM	2	
19	68200-62112	FAN	1	
20	11060-06251	BOLT ADHESIVE	3	
21	01612-00600	WASHER	3	
22	72935-63110	BEND PIPE	1	
23	72935-63120	CLAMP	1	
24	72935-63210	FLEXIBLE PIPE	1	
25	72935-63221	CLAMP	1	
26	72935-63231	CLAMP	1	
27	72935-63311	JOINT PIPE	1	
28	72935-63340	PIPE	1	
29	72935-63331	NOZZLE	1	
30	68205-84320	CUSHION	1	
31	68208-84380	HANDLE	1	
32	01020-06250	BOLT	1	
33	68205-84010	THROTTLE LEVER	1	
34	68208-84410	CLAMP	1	
35	68205-91011	LABEL NAME	1	



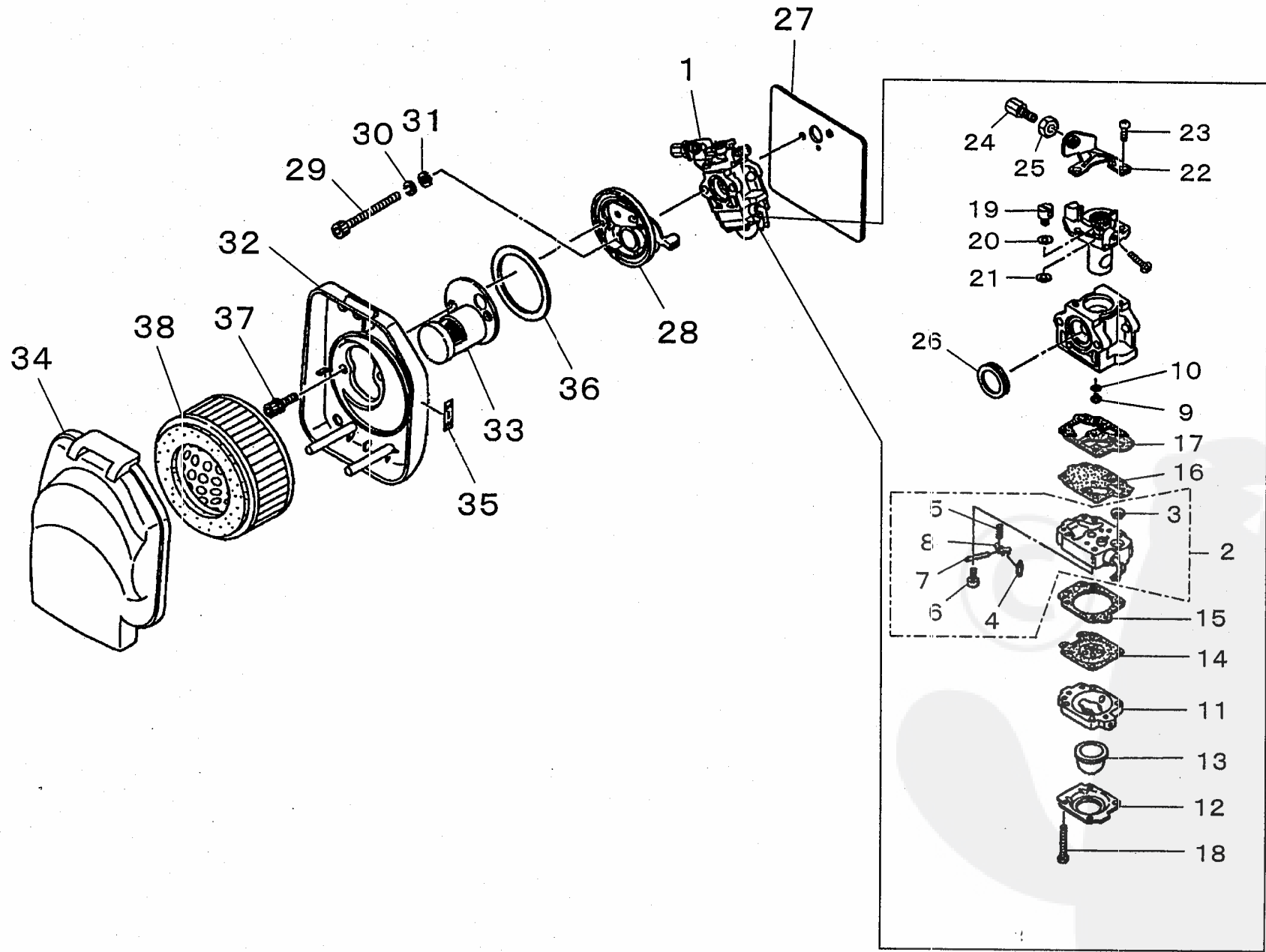
PRICE: (¥)

Ref. No.	Part No.	Part Name	Q' ty	Unit Price	Remarks
5-	1	72935-71200	ROTOR	1	
	2	02403-03100	KEY	1	
	3	01511-10061	NUT	1	
	4	01600-10251	SPRING WASHER	1	
	5	72935-71600	COIL	1	
	6	70029-72110	GROMMET	1	
	7	20016-71660	TUBE	1	
	8	72935-72140	CORD CLIP	1	
	9	14352-01600	LEAD WIRE	1	
	10	20011-72110	GROMMET	1	
	11	20024-72220	PLUG CAP	1	
	12	20000-72230	SPRING SPARK PLUG	1	
	13	11060-05201	SCREW ADHESIVE	2	
	14	13000-13406	SPARK PLUG BMR6A	1	



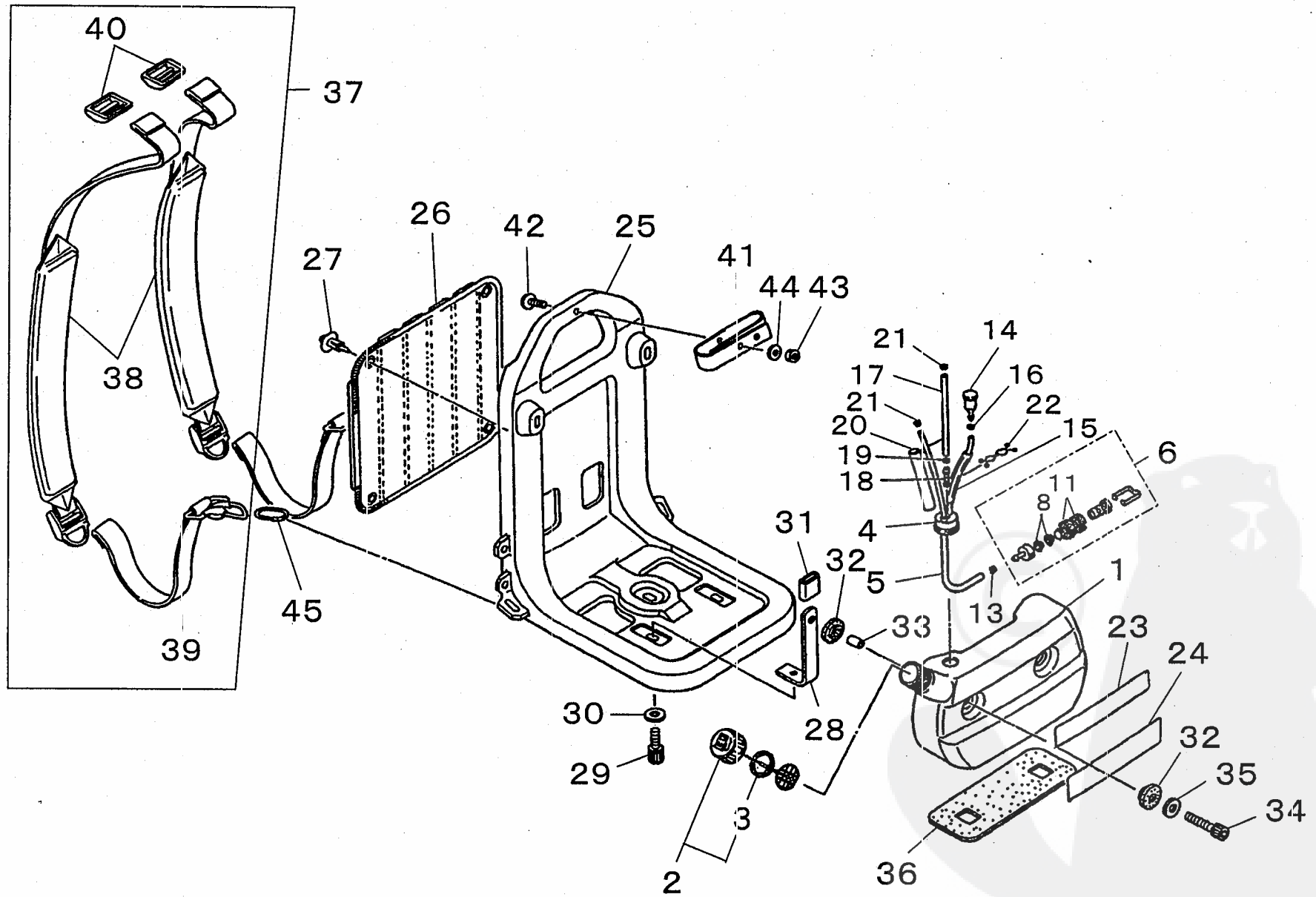
PRICE: (¥)

Ref. No	Part No.	Part Name	Qty	Unit Price	Remarks
6- 1	72935-75101	RECOIL STARTER SUB ASSY	1		
2	72935-75111	• STARTER CASE	1		
3	70131-75120	• REEL	1		
4	20024-75130	• RECOIL SPRING	1		
5	72935-75170	• SCREW TAPPING	1		
6	20020-75180	• ROPE	1		
7	20010-75190	• STARTER KNOB	1		
8	20010-75210	• STOPPER	1		
9	19420-00027	• LABEL TRADE	1		
10	72935-75200	STARTER PULLY ASSY	1		
12	20024-75220	• RATCHET	1		
13	72935-75230	• RETURN SPRING	1		
14	20024-75240	• E RING	1		
15	72935-75310	NUT	1		
16	11060-04160	BOLT ADHESIVE	4		
17	20020-76110	GASKET STARTER	1		



PRICE: (¥)

Ref. No	Part No.	Part Name	Q'ty	Unit Price	Remarks
7- 1	68205-81010	CARBURETOR ASSY	1		
2	72933-81411	* PUMP BODY ASSY	1		
3	70030-81380	** SCREEN	1		
4	20036-81440	** NEEDLE VALVE	1		
5	72933-81270	** SPRING	1		
6	20016-81450	** SCREW	1		
7	22100-81250	** PIN	1		
8	22100-81230	** LEVER	1		
9	72935-81250	* MAIN JET	1		
10	70097-81220	* O RING	1		
11	20016-81420	* PUMP BASE COMP	1		
12	20016-81510	* PUMP COVER	1		
13	20036-81670	* PRIMER PUMP	1		
14	22100-81260	* DIAPHRAGM ASSY	1		
15	20016-81280	* GASKET	1		
16	70097-81320	* DIAPHRAGM	1		
17	70097-81310	* GASKET PUMP	1		
18	20016-81140	* SCREW	4		
19	72933-81450	* SWIVEL	1		
20	20089-81185	* WASHER	1		
21	20036-81195	* E RING	1		
22	20089-81130	* BRACKET	1		
23	70097-81290	* SCREW	2		
24	20089-81110	* CABLE ADJUSTER	1		
25	20036-81120	NUT	1		
26	72933-81250	RING GASKET	1		
27	72935-81711	GASKET CABURETOR	2		
28	72935-81501	CHOKE COMP	1		
29	01020-05600	BOLT	2		
30	01600-05131	SPRING WASHER	2		
31	01610-05080	WASHER	2		
32	72935-82111	CLEANER BODY	1		
33	72935-82130	PIPE	1		
34	72935-82120	CLEANER COVER	1		
35	19404-00008	LABEL CHOKE	1		
36	72935-82210	GASKET	1		
37	11024-04140	BOLT SPW	2		
38	72935-82310	FILTER	1		



PRICE: (¥)

Ref. No.	Part No.	Part Name	Q'ty	Unit Price	Remarks
8- 1	72935-85111	FUEL TANK	1		
2	68204-85020	FUEL CAP ASSY	1		
3	20000-85221	• GASKET	1		
4	72933-85350	GROMMET	1		
5	72935-85311	PIPE	1		
6	22115-85401	FUEL FILTER SUB ASSY	1		
8	22118-85460	• SCREEN	2		
11	22128-85421	• FILTER	2		
13	20020-85540	CLIP	1		
14	20035-85522	VALVE	1		
15	72935-85530	PIPE	1		
16	20020-85540	CLIP	1		
17	72935-85512	PIPE	1		
18	72933-85620	JOINT	1		
19	20020-85540	CLIP	1		
20	72935-85540	PIPE	1		
21	20021-85540	CLIP	2		
22	72935-85550	CLIP	1		
23	68200-91031	LABEL TRADE	1		
24	19420-00042	LABEL TRADE	1		
25	72935-86111	FRAME	1		
26	72935-86120	PAD	1		
27	72935-86130	CLIP	4		
28	72935-86411	BRACKET	2		
29	11020-06200	BOLT SW	2		
30	15401-10016	COLLAR	2		
31	72935-86440	CUSHION	2		
32	72935-86421	CUSHION	4		
33	17901-06150	COLLAR	2		
34	11020-06250	BOLT SW	2		
35	15401-20004	COLLAR	2		
36	72935-86431	CUSHION	1		
37	72935-87100	BAND ASSY	2		
38	72935-87111	• BAND	2		
39	72935-87120	• BAND	2		
40	72451-17230	• BUCKLE	2		
41	72935-87210	BAND	1		
42	01215-06300	SCREW	1		

