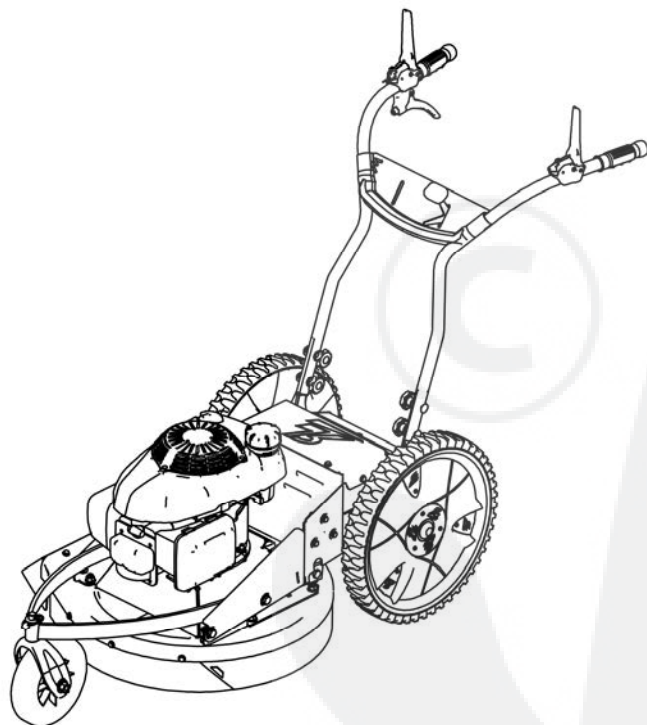
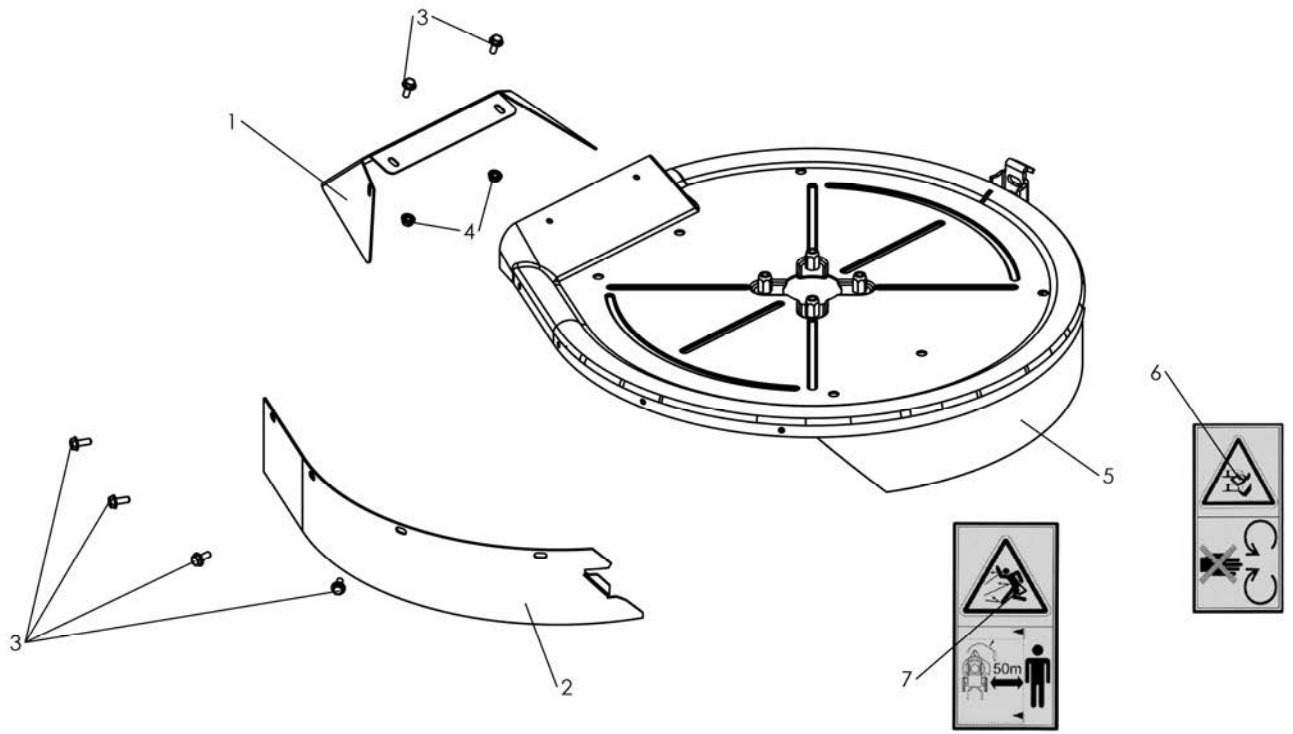


# Pièces de rechange

# Spare parts list

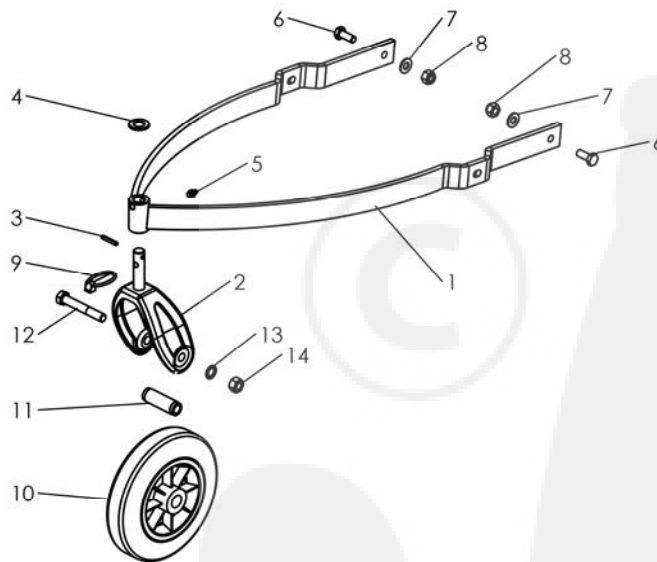
**4100\*\*06\*\***





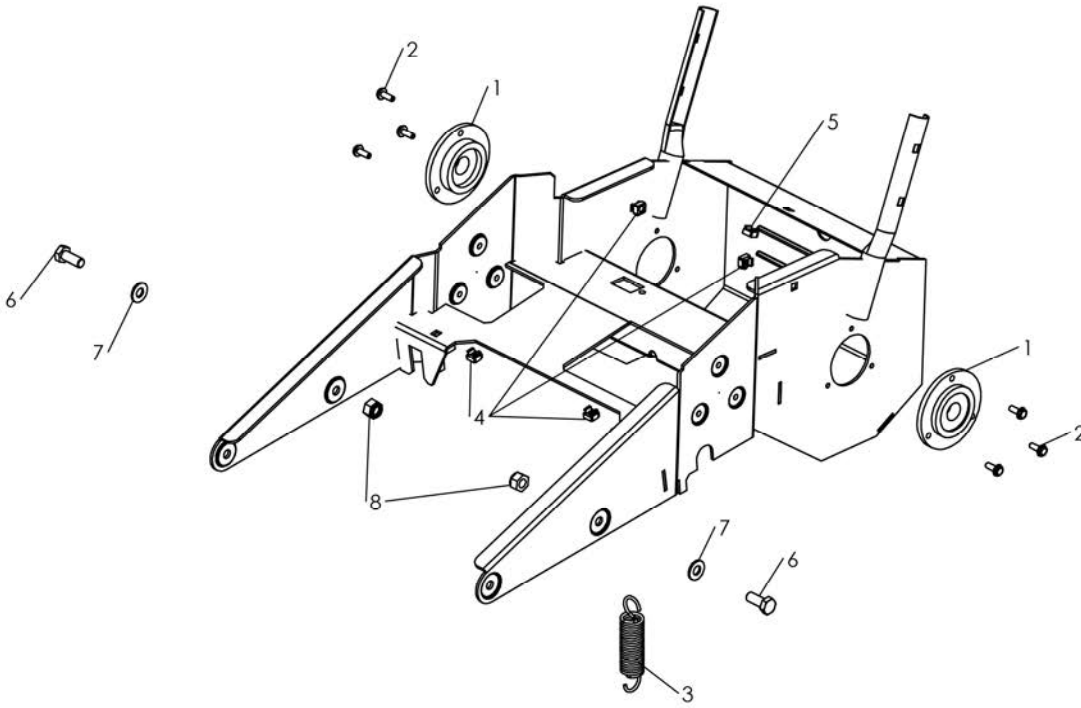
Rep N°	Ref.	Désignation	Description	Qté
1	4102023907	ENDAINEUR JAUNE	Yellow Side Deflector	1
2	4102023908	JUPE AVANT JAUNE	Yellow Front Deflector	1
3	0300010609	VIS H 6x16 Z EMB CR DIN 6921	SCREW HM 6X16 Z NOTCHED SHOULDER	6
4	0300260601	ECROU HM 6 ZEMB CR DIN 6923	NUT H M6 Z NOTCHED SHOULDER	6
5	4102063901	COUPELLE RL2006 JAUNE RAL 1021	Yellow RAL 1021 Blade guard RL 2006	1
6	0503040022	AUTOCOL "DANGER" MAINS PIEDS	STICKER DANGER HANDS FEET	1
7	0503040033	DANGER AIREL EJECTION	STICKER DANGER EJECTION	1

41\_COUPELLE\_RL2006



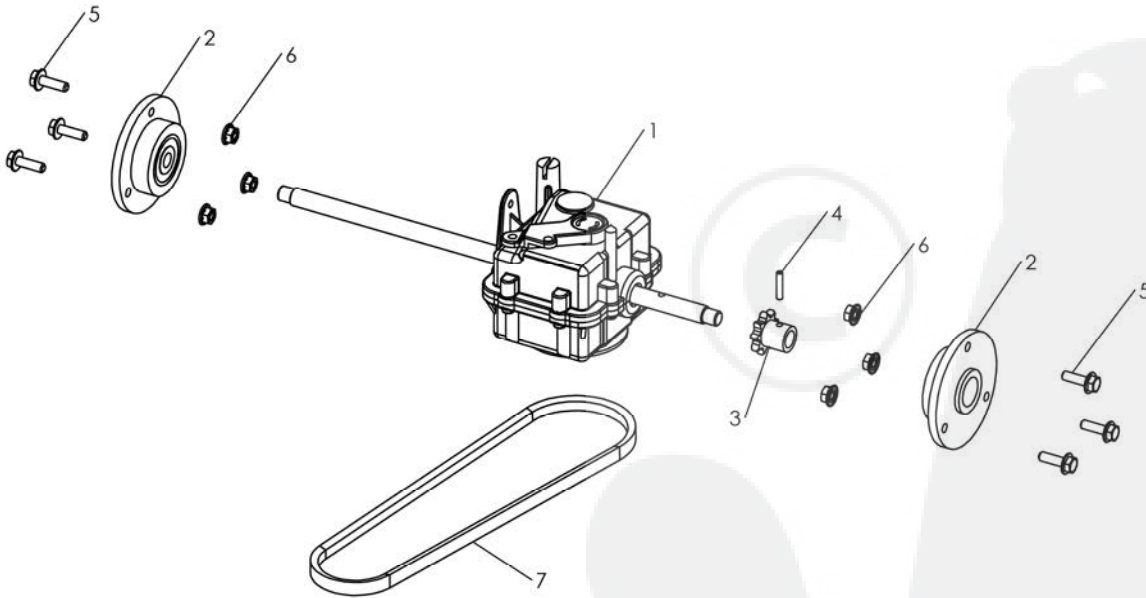
Rep N°	Ref.	Désignation	Description	Qté
1	4102023727	SUPPORT RJ NOIR GIVRE	black wheel support	1
2	4102043709	CHAPE RJ NOIRE	black wheel case	1
3	0301090005	GOUP ELASTIQUE Ø5x30 ISO 8752	Cotter-pin Ø5x30 ISO 8752	1
4	4102040102	RONDELLE Ø30x17x2.5 EZ	Washer Ø30x17x2.5	1
5	0301000012	GRAISSEUR M6x100	Greaser M6x100	1
6	0300011008	VIS H 10 X25 Z DIN 933/8/8	SCREW H M10x25 Z	2
7	0300401002	RONDELLE PLATE M 10X22X2 Z NFE 27611	PLATE WASHER M 10X22X2 Z NFE 27611	2
8	0300211001	ECROU FREIN M 10 Z DIN 985/8	BLOCKING NUT M 10 Z	2
9	0301010009	GOUPILLE CLIPS 8X42 ZING	Cotter-pin	1
10	0309000046	ROUE D=200 MOYEU=20 L=60 6162002010	Wheel Ø200 Hub=20 L=60	1
11	0302020081	ENTR. 20X12.5x61.5 xPOM	PLASTIC SPACER 20x12.5x61.5	1
12	0300011206	VIS H M 12x80/30 Z ISO 4014 CL 6.8	SCREW H M 12X80/30 Z ISO4014	1
13	0300441201	RONDELLE EVENTAIL 12 Z	EXTERNAL TOOTH LOCK WASHER 12	1
14	0300201202	ECROU H.U. M 12 Z DIN 934-8	NUT HM 12Z	1

41\_BRAS RJ\_RL2006



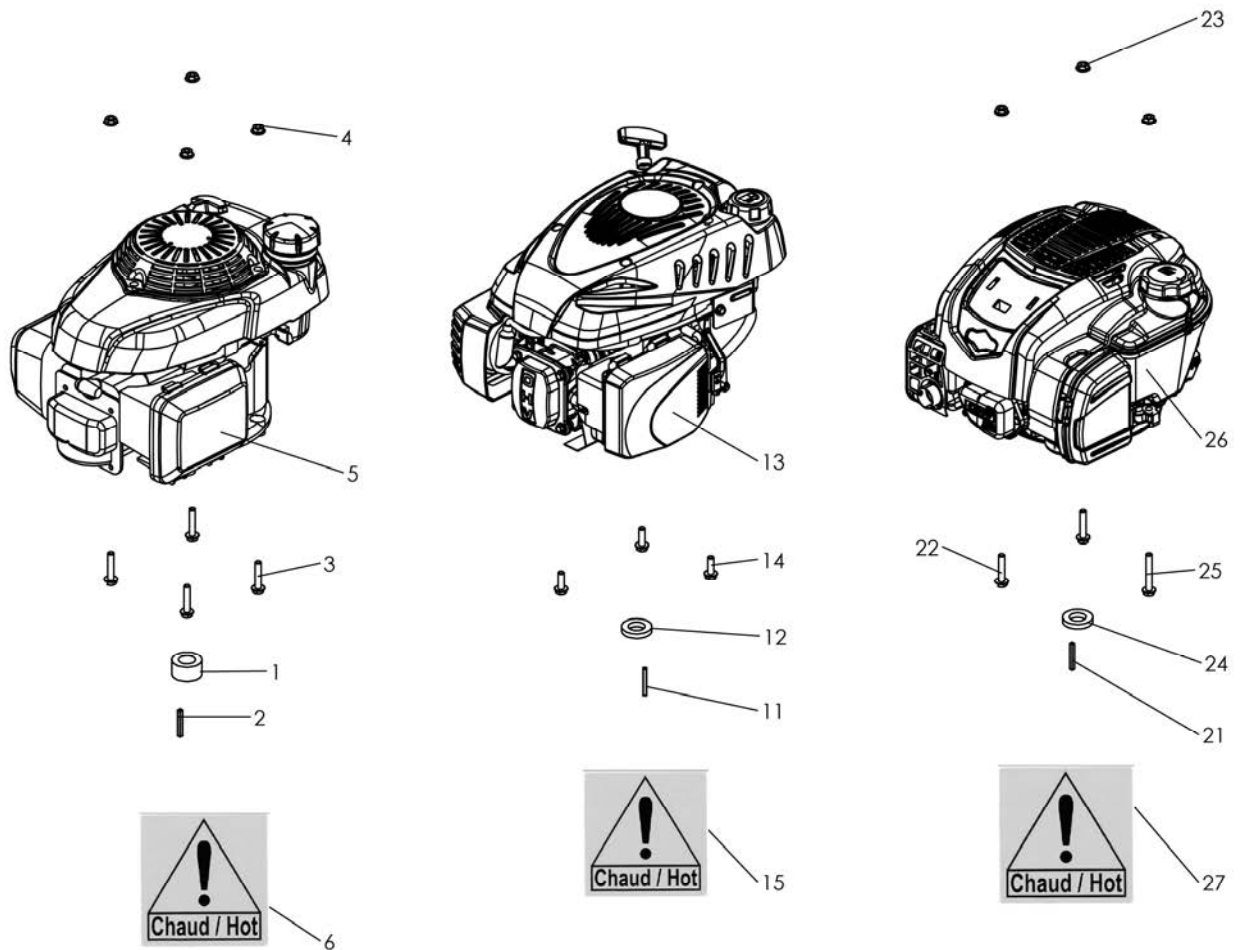
Rep N°	Ref.	Désignation	Description	Qté
1	0340030013	PALIER ARBRE ROUE DIAM 20	WHEEL FLANGE BEARING Ø20	2
2	0300090602	VIS AUTOTAR TH A EMB 6 X 16 Z	Screw HM6x16 z Self-tapping	6
3	0305010009	RESSORT TR RELEVAGE E51 35/10	High adjustment spring	1
4	0300230603	ECROU RAPID M6 C. 4806 C	NUT RAPID M6 C 4806C	4
5	0300230602	ECROU RAPID M 6 C 4806B	NUT RAPID M6 C 4806B	1
6	0300011008	VIS H 10 X25 Z DIN 933/8/8	SCREW H M10x25 Z	2
7	0300401002	RONDELLE PLATE M 10X22X2 Z NFE 27611	PLATE WASHER M 10X22X2 Z NFE 27611	2
8	0300211001	ECROU FREIN M 10 Z DIN 985/8	BLOCKING NUT M 10 Z	2
9	4102063701	CHASSIS RL2006 NOIR GIVRE	Black Frame RL2006	1

41\_CHASSIS ARRIERE\_RL2006



Rep N°	Ref.	Désignation	Description	Qté
1	0306040012	REDUCTEUR x DEB ECO V2-06 x Type 4002	Reduction gearbox 4002 brushcutter	1
2	0340030012	PALIER ARBRE INTERMEDIAIRE xDEB ECOx	Countershaft bearing Ø10 Deb	2
3	0306050028	PIGNON 9 DENTS 9.525 alés 12mm	Sprocket 9 teeth 9.525 x 5.3	1
4	0301020001	GOUPILLE HBK 4x20 ISO 8748ST	Pin Ø4x20 HBK	1
5	0300010610	VIS H 6x20 Z EMB CR DIN 6921	Screw HM 6x20 Z notched shoulder	6
6	0300260601	ECROU HM 6 ZEMB CR DIN 6923	NUT H M6 Z NOTCHED SHOULDER	6
7	0306030048	COURROIE 6207MC x DEB ECO V2	Fanbelt 6207 MC Gates	1

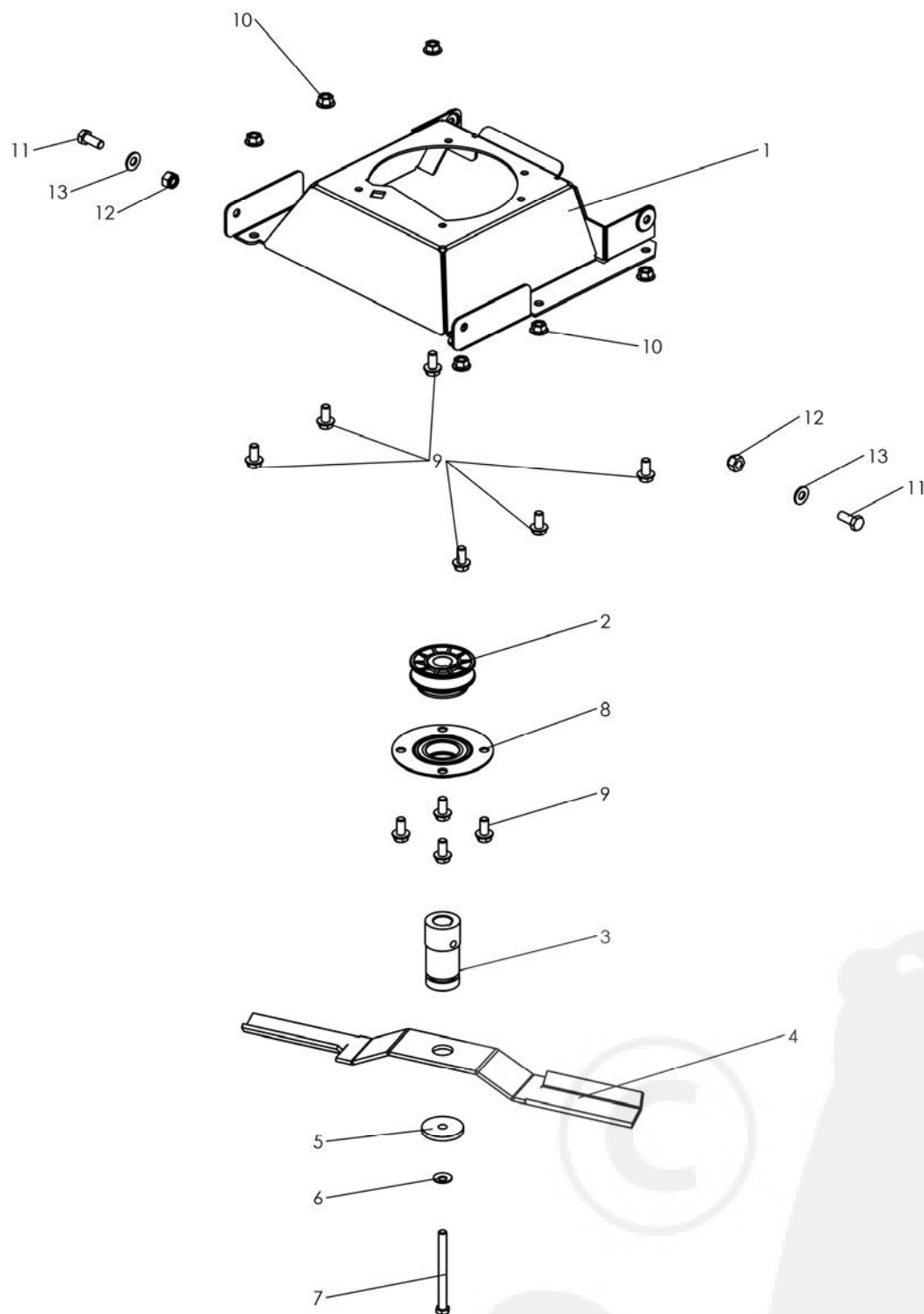
41\_TRANSMISSION\_RL2006



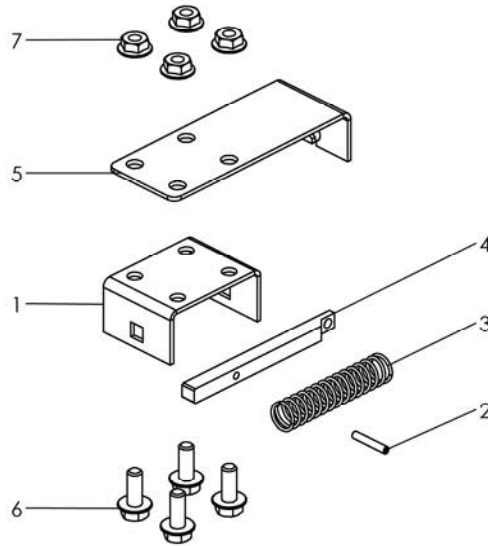
Rep N°	Ref.	Désignation	Description	HONDA/Quantité
1	0302020045	ENTRETOISE 40x22x22 Moteur GCV E51ProV2	Spacer 40 x 22 x 22 (GCV)	1
2	0301040001	CLAVETTE 4.76X4.76X 40 BTS DRO TOL h 9 - XC 48	KEY 4.76X4.76X40 DRO TOL h 9 - XC 48	1
3	0300010817	VIS H 8x40 Z EMB CR DIN 6921	SCREW H M8 X 40	4
4	0300260801	ECROU HM 8 ZEMB CR DIN 6923-8	NUT H M8 Z NOTCHED SHOULDER	4
5	0330011027 GCV190	HONDA GCV190 NOIR A1-P7-SD	Black Honda GCV190 A1-P7-SD	1
6	0503040044	ETIQUETTE CHAUD/HOT	STICKER HOT	1

Rep N°	Ref.	Désignation	Description	RATO/Quantité
11	0301040001	CLAVETTE 4.76X4.76X 40 BTS DRO TOL h 9 - XC 48	KEY 4.76X4.76X40 DRO TOL h 9 - XC 48	1
12	0302020197	ENTRETOISE 40x22x6.8 Moteur R170 - BS	Spacer 40x22x6.8 Engine R170 - BS	1
13	0330091005	RATO RV170 VOLANT LEGER	RATO RV170	1
14	0300010838	VIS H 8x25 Z EMB CR DIN 6921 CL 6.8	SCREW H 8x25 Z DIN 6921 NOTCHED SHOULDER CL 6.8	3
15	0503040044	ETIQUETTE CHAUD/HOT	STICKER HOT	1

Rep N°	Ref.	Désignation	Description	BRIGGS/Quantité
21	0301040001	CLAVETTE 4.76X4.76X 40 BTS DRO TOL h 9 - XC 48	KEY 4.76X4.76X40 DRO TOL h 9 - XC 48	1
22	0300010817	VIS H 8x40 Z EMB CR DIN 6921	SCREW H M8 X 40	2
23	0300260801	ECROU HM 8 ZEMB CR DIN 6923-8	NUT H M8 Z NOTCHED SHOULDER	3
24	0302020197	ENTRETOISE 40x22x6.8 Moteur R170 - BS	Spacer 40x22x6.8 Engine R170 - BS	1
25	0300010837	VIS H 8x55 Z EMB CR DIN 6921 CL 6.8 FILETAGE PARTIEL	SCREW H 8x55 Z DIN 6921 NOTCHED SHOULDER CL 6.8	1
26	0330021018	BRIGGS 675 SERIES VERTICAL	Engine BRIGGS 675 SERIES	1
26	0330021035	MOTEUR BS 850 SERIES I/C IS	ENGINE BS 850 SERIES I/C IS	1
27	0503040044	ETIQUETTE CHAUD/HOT	STICKER HOT	1

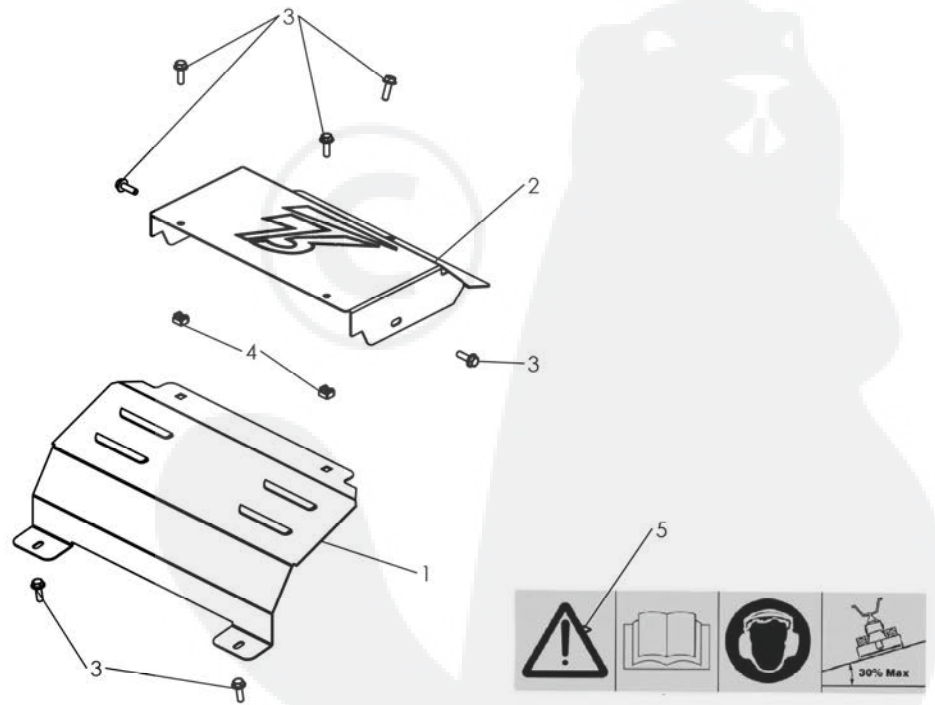


Rep N°	Ref.	Désignation	Description	Qté
1	4102063702	PLATINE MOT RL2006 NOIRE GIVRE	black engine support RL2006	1
2	0306060014	POULIE MOTEUR VARIATRICE D22.2 FLASQUE MOBILE ALU	VARIATION MOTOR PULLEY Ø22.2	1
3	0302030114	MOYEU DE LAME RL2006	Blade hub RL2006	1
4	0320020017	LAME COUDEE L=53	Blade L=53	1
5	0302020161	RONDELLE DE BLOCAGE	Lock washer	1
6	0300431001	RONDELLE CONTACT 10 BIC NFE 25-511	Elastic washer 10 Bic	1
7	0300060309	VIS 3/8 TH24 UNF LG 105 Z	Screw 3/8 TH24 UNF Lg70	1
8	4101020013	TROISIEME PALIER ASS	Blade guard hub	1
9	0300011027	VIS H 10x20 Z EMB CR DIN 6921 CL 6.8	SCREW H 10x20 Z DIN 6921 NOTCHED SHOULDER CL 6.8	10
10	0300261001	ECROU HM 10 ZEMB CR DIN 6923	Nut H M10 notched shoulder	6
11	0300011008	VIS H 10 X25 Z DIN 933/8/8	SCREW H M10x25 Z	2
12	0300211001	ECROU FREIN M 10 Z DIN 985/8	BLOCKING NUT M 10 Z	2
13	0300401002	RONDELLE PLATE M 10X22X2 Z NFE 27611	PLATE WASHER M 10X22X2 Z NFE 27611	2



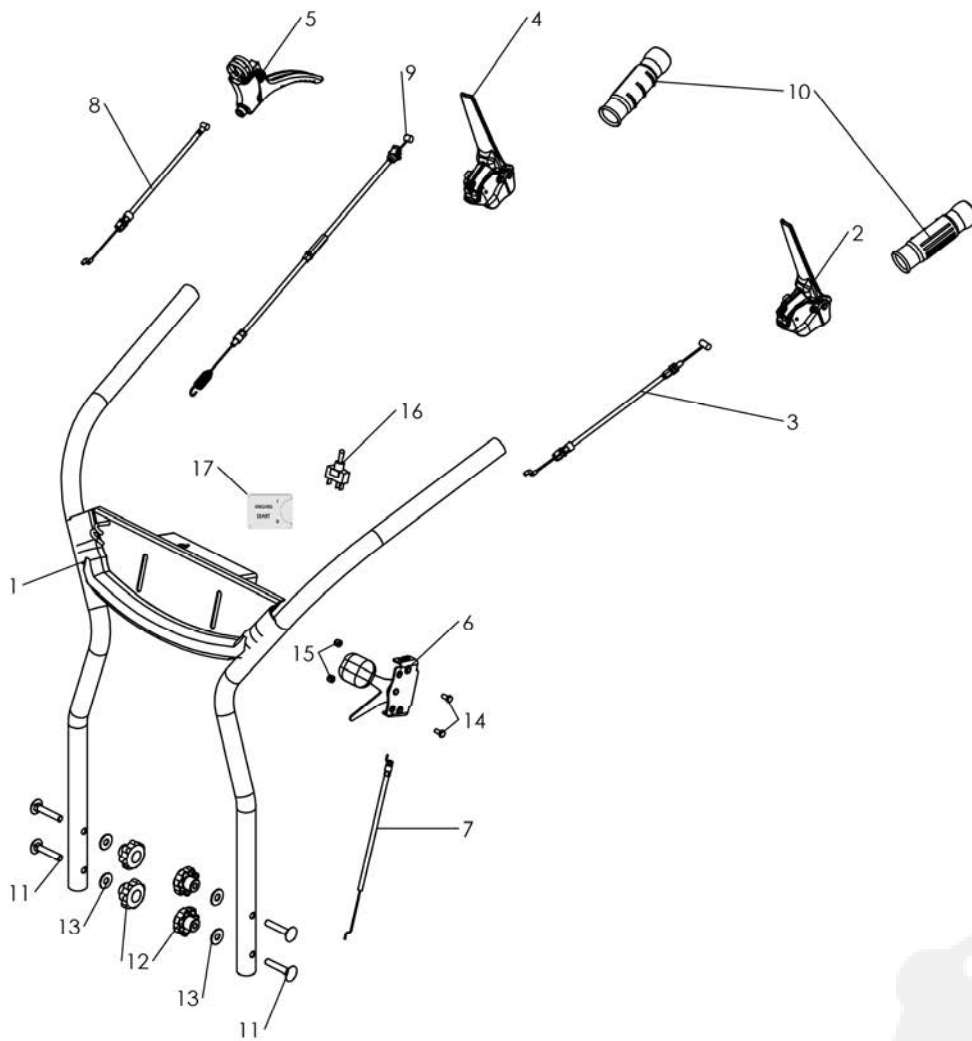
Rep N°	Ref.	Désignation	Description	Qté
1	4002000102	SUPP AXE RELEVAGE xE51-03xBICHx	Locking pin support	1
2	0301020002	GOUPILLE HBK 4x24	Cotter-pin 4x24 HBK	1
3	0305020001	RESSORT CP 13,4x75 16/10	Locking spring	1
4	0302010030	AXE RELEVAGE xE51-03xBICHx	Locking pin	1
5	4102040101	SUPP VERR RELEVAG XTREM RL2008	Support locking raising	1
6	0300010816	VIS H 8x20 Z EMB CR	SCREW H M8X20 Z NOTCHED SHOULDER CL 8.8	4
7	0300260801	ECROU HM 8 ZEMB CR DIN 6923-8	NUT H M8 Z NOTCHED SHOULDER	4

41\_FONCTION AXE DE RELEVAGE\_RL2006

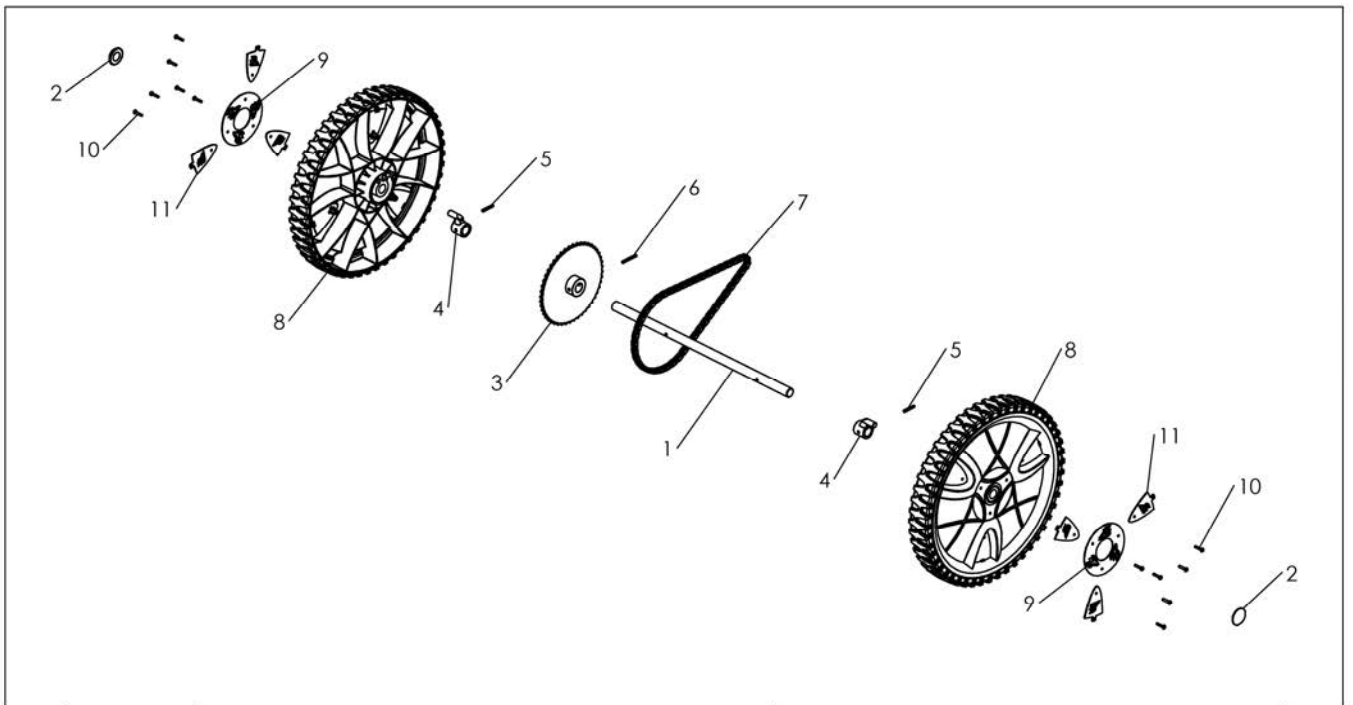


Rep N°	Ref.	Désignation	Description	Qté
1	4102063703	CAPOT CENTRAL RL2006 NOIR GIVRE	Black Central carter RL2006	1
2	4102063902	CAPOT ARR RL2006 JAUNE	Rear yellow carter RL2006	1
3	0300010610	VIS H 6x20 Z EMB CR DIN 6921	Screw HM 6x20 notched shoulder	7
4	0300230602	ECROU RAPID M 6 C 4806B	NUT RAPID M6 C 4806B	2
5	0500000029	ETIG CONSIGNE SECURITE (LIVRE)	STICKER SECURITY	1

41\_CAPOT\_RL2006



Rep N°	Ref.	Désignation	Description	Qté
1	4102023711	GUIDON INCLINABLE NOIR GIVRE	Ajustable black handlebar	1
2	0307010075	LEVIER FREIN MOT LASC05R02T.FM Course20 Guidon25 Logo STOP	Engine braking Handle stroke 20	1
3	0308050020	CABLE FREIN MOT LG1140 CF52.5 MANETTE LASC EMB CLIP +REGL M6	Engine Braking cable Lenght 1140 stroke 52.5	1
4	0307010064	LEVIER EMBR MAV LASC C30 Ø25	CLUTCH LEVER Ø25	1
5	0307010077	LEVIER REG HT LABO7B01+TEMPO LABO7B01.RH	LEVER LABO7B01.RH Handlebar D20mm	1
6	0307020026	POIGNEE ACCELERATEUR	throttle handle	1
7	0308080006	CABLE DE GAZ	Throttle cable	1
8	0308030012	CABLE REGL HAUTEUR COUPELLE	Height setting cable	1
9	0308020081	CABLE EMBR RL2006 LG1200 CF119	Clutch cable lenght 1200 stroke 119	1
10	0307020027	POIGNEE D=25	Handle Ø25	2
11	0300080803	VIS TRCC M8x45 ZN DIN 603 Mu	Screw TRCC M8x45 ZN	4
12	0300800006	BOUTON BRUMAIRE M8	TIGHTENING HANDLE M8	4
13	0300400803	RONDELLE LARGE M8 8x22x1.5 Z	FENDER WASHER 8x22x1.5 ZN	4
14	0300010504	VIS H M5x10 CL8.8 ZN ISO 4017	SCREW H M5x10 CL8.8 ZN	2
15	0300210501	ECROU FREIN M 5 Z DIN 985/8	Blocking nut M5 Z	2
16	0350070004	FAISCEAU DEMARREUR ELECTRIQUE + Bouton Mom/Off	Engine start electrical beam	1
17	0503000099	ETIQ. SWITCH BRIGGS INSTART DIM 40x30mm IMPR NOIR FD BLANC	STICKER SWITCH BRIGGS INSTART	1



Rep N°	Ref.	Désignation	Description	Qté
1	0302010200	ARBRE ROUE RL2006	Wheel shaft Deb RL2006	1
2	0300702001	ENJOLIVEUR DIAM 20 CAB 20/38	Trim stopper Ø20	2
3	0306050029	PIGNON 60 DENTS 9.525 alés 20mm	Pinion 60 teeth 9.525 x 5.3	1
4	0302030014	MOYEU ROUE INTERIEUR xE51x	Wheel hub E51	2
5	0301020004	GOUPILLE HBK 5x30 ISO 8748ST	Pin Ø5x30 HBK	2
6	0301020005	GOUPILLE HBK 5x40	Pin Ø5x40 HBK	1
7	0306020049	CHAINE ISO 06B-1 pas 9.525mm	Chain ISO 06B-1 pitch 9.525	1
8	0340030070	ROUE F1502 DIAM 420 NOIR RAL 9005	Black Ral 9005 Wheel Ø420	2
9	4102063903	ENJOLIVEUR RL	Trim RL	2
10	0300090403	VIS TORX WN 1452 K40x20	Screw WN 1452 K40x20 Torx	12
11	4102063904	INSERT PERSONNALISATION RL LASER	Customized Insert RL Laser	6

41\_ROUES\_RL2006

