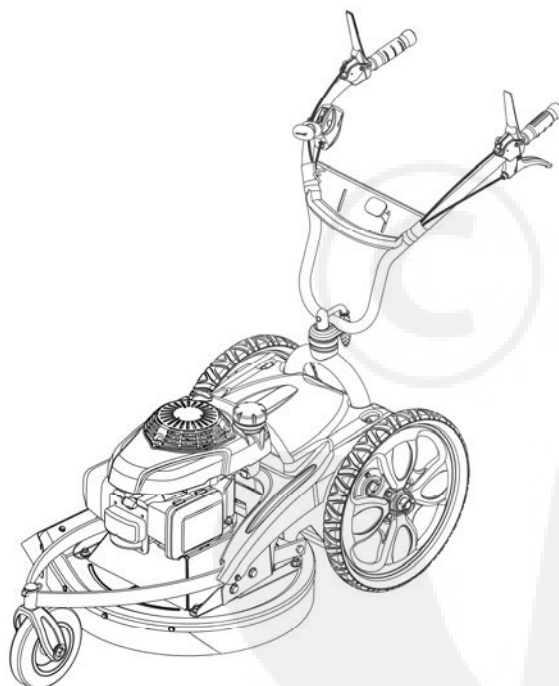
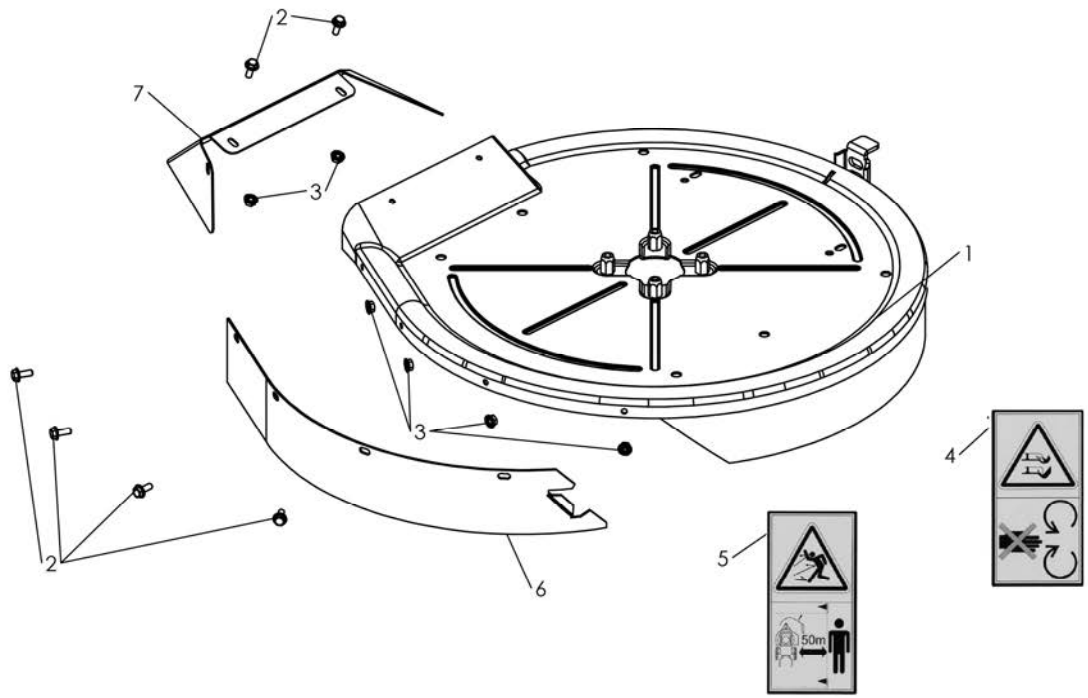


Pièces de rechange

Spare parts list

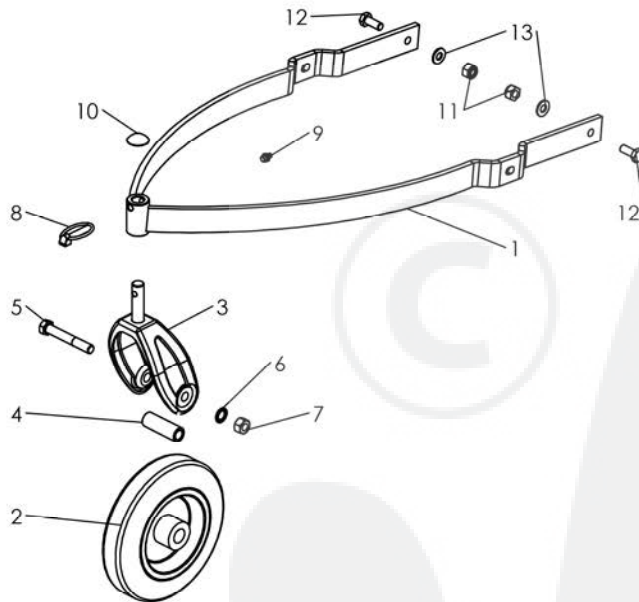
410007****





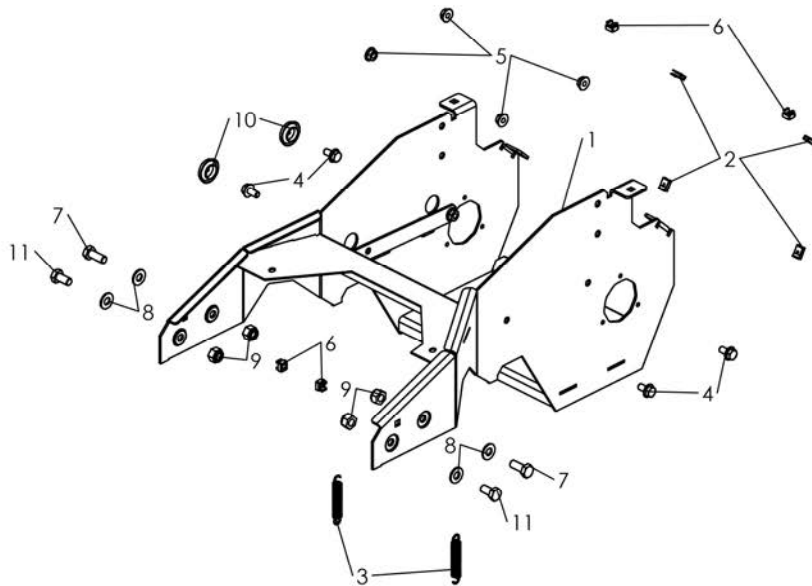
| Rep N° | Ref. | Désignation | Description | Qté |
|--------|------------|------------------------------|----------------------------------|-----|
| 1 | 4102073901 | COUPELLE RL2008 V2 JAUNE | Yellow Blade guard RL2008 V2 | 1 |
| 2 | 0300010609 | VIS H 6x16 Z EMB CR DIN 6921 | SCREW HM 6X16 Z NOTCHED SHOULDER | 6 |
| 3 | 0300260601 | ECROU HM 6 ZEMB CR DIN 6923 | NUT H M6 Z NOTCHED SHOULDER | 6 |
| 4 | 0503040022 | AUTOCOL "DANGER" MAINS PIEDS | STICKER DANGER HANDS FEET | 1 |
| 5 | 0503040033 | DANGER AIREL EJECTION | STICKER DANGER EJECTION | 1 |
| 6 | 4102043904 | JUPE AVANT JAUNE | YELLOW FRONT DEFLECTOR | 1 |
| 7 | 4102043903 | ENDAINEUR JAUNE | YELLOW SIDE DEFLECTOR | 1 |

41_COUPELLE_RL2008_Défaul;



| Rep N° | Ref. | Désignation | Description | Qté |
|--------|------------|--------------------------------------|------------------------------------|-----|
| 1 | 4102023727 | SUPPORT RJ NOIR GIVRE | black wheel support | 1 |
| 2 | 0309000045 | ROUE D=200 FASQUE TOLE | WHEEL Ø200 | 1 |
| 3 | 4102023703 | CHAPE RJ NOIRE | BLACK WHEEL CASE | 1 |
| 4 | 0302020124 | ENTRETOISE COURTE ACIER | SHORT SPACER | 1 |
| 5 | 0300011206 | VIS H M 12x80/30 Z ISO 4014 CL 6.8 | SCREW H M 12X80/30 Z ISO4014 | 1 |
| 6 | 0300441201 | RONDELLE EVENTAIL 12 Z | EXTERNAL TOOTH LOCK WASHER 12 | 1 |
| 7 | 0300201201 | ECROU M12 | NUT M12 | 1 |
| 8 | 0301010009 | GOUPILLE CLIPS 8X42 ZING | Cotter-pin | 1 |
| 9 | 0301000012 | GRAISSEUR M6x100 | Greaser M6x100 | 1 |
| 10 | 0300701601 | CALOTTE AUTO BLOQUANTE 16x30 6201630 | TRIM STOPPER 16x30 | 1 |
| 11 | 0300211001 | ECROU FREIN M 10 Z DIN 985/8 | BLOCKING NUT M 10 Z | 2 |
| 12 | 0300011008 | VIS H 10 X25 Z DIN 933/8/8 | SCREW H M10x25 Z | 2 |
| 13 | 0300401002 | RONDELLE PLATE M 10X22X2 Z NFE 27611 | PLATE WASHER M 10X22X2 Z NFE 27611 | 2 |

41_BRAS RJ_RL2008_Défaul;



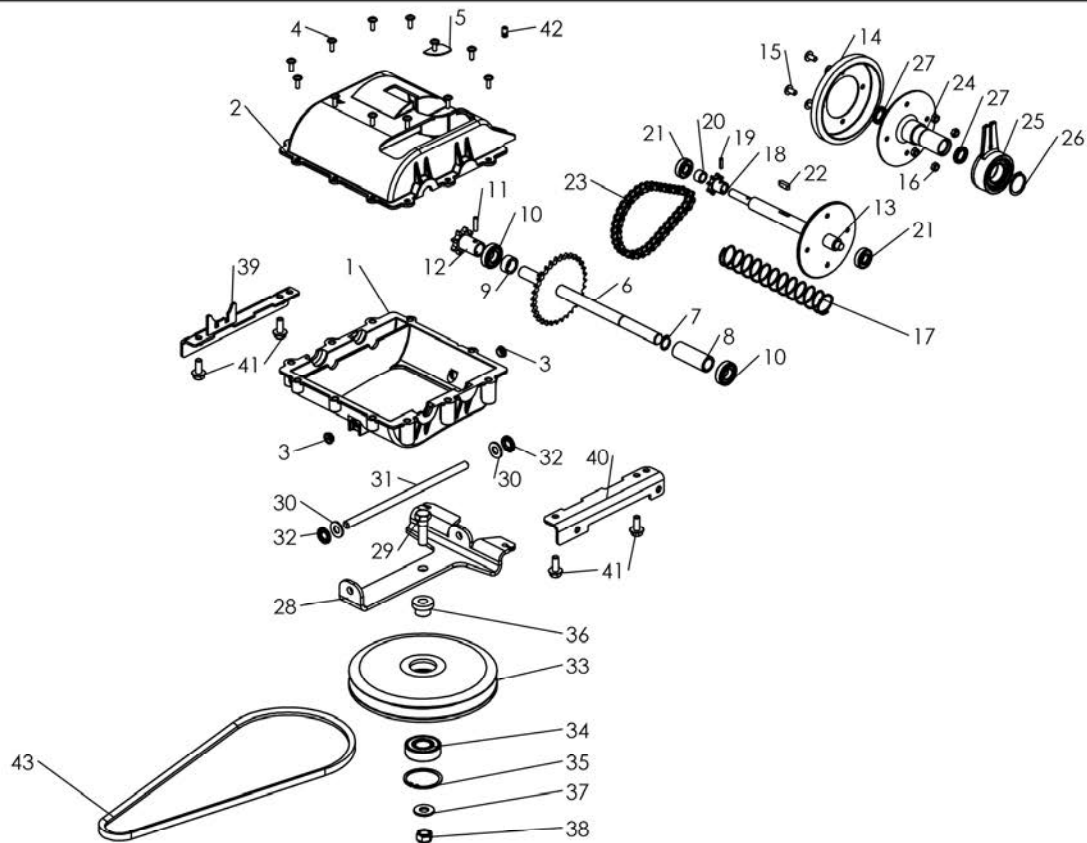
| Rep N° | Ref. | Désignation Parts list | Description | Qté |
|--------|------------|--|---|-----|
| 1 | 4102073702 | CHASSIS RL2008 NOIR GIVRE | BLACK FRAME RL2008 | 1 |
| 2 | 0301050001 | CLIPS PRESTOLE Z/VIS 4.2 EP 4 | CLIPS 4.2 | 4 |
| 3 | 0305010004 | RESSORT TR 12.2x75.2 18/10 GAL | EXTENSION SPRING 12.2x75.2 | 2 |
| 4 | 0300010815 | VIS H 8x16 Z EMB CR DIN 6921 CL 6.8 | SCREW H M8X16 Z NOTCHED SHOULDER CL 6.8 | 4 |
| 5 | 0300260801 | ECROU HM 8 ZEMB CR DIN 6923-8 | NUT H M8 Z NOTCHED SHOULDER | 5 |
| 6 | K300230602 | ECROU RAPID M6 C 4806 C | NUT RAPID M6 C 4806C | 4 |
| 7 | 0300011008 | VIS H 10 X25 Z DIN 933/8/8 | SCREW H M10x25 Z | 2 |
| 8 | 0300401002 | RONDELLE PLATE M 10X22X2 Z NFE 27611 | PLATE WASHER M 10X22X2 Z NFE 27611 | 4 |
| 9 | 0300211001 | ECROU FREIN M 10 Z DIN 985/8 | BLOCKING NUT M 10 Z | 4 |
| 10 | 0341000138 | BOUCHONS ETANCHEITE GPN 915 Ø25-27 ep tôle 0,5-3mm | CAP Ø25-27 | 2 |
| 11 | 0300011012 | VIS H 6/8 10 X 20 Z DIN933/6.8 | Screw H M10x20 z | 2 |

41_CHASSIS ARRIERE_RL2008 _ Version lisse:

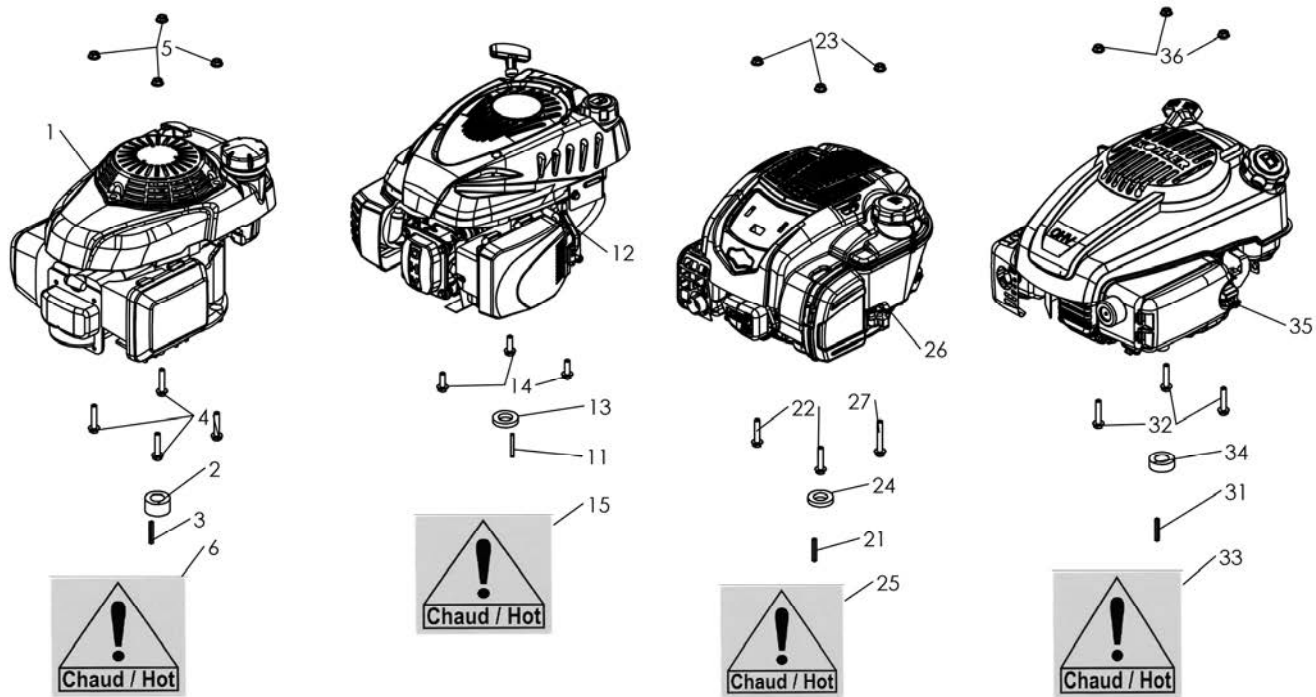


| Rep N° | Ref. | Désignation | Description | Qté |
|--------|------------|-------------------------------------|---|-----|
| 1 | 0300801202 | POIGNEE SERRAGE M12x125 | Handlebar tightening lever | 1 |
| 2 | 0300010838 | VIS H 8x25 Z EMB CR DIN 6921 CL 6.8 | SCREW H 8x25 Z DIN 6921 NOTCHED SHOULDER CL 6.8 | 4 |
| 3 | 0300210802 | ECROU FREIN M 8 Z DIN 985/8 | BLOCKING NUT HM 8 Z DIN 985/8 | 4 |
| 4 | 0300480801 | RONDELLE NORDLOCK M8 NL8 | NORDLOCK WASHER | 4 |
| 5 | 0303000013 | PIECE INTERM E51ProV2 | Handlebar detent quadrant | 1 |
| 6 | 4102073704 | POTENCE RL2008 V2 NOIR GIVREE | STEM RL2008 | 1 |

41_POTENCE_RL2008 _ Défaut:



| Rep N° | Ref. | Désignation | Description | Qté |
|--------|------------|--|--|-----|
| 1 | 0340030041 | CARTER INFERIEUR TRANSMISSION MODULAIRE | Modular transmission inferior case | 1 |
| 2 | 0340030042 | CARTER SUPERIEUR TRANSMISSION MODULAIRE | MODULAR TRANSMISSION SUPERIOR CASE | 1 |
| 3 | 0306010036 | BAGUE IGUS MCM 10-03 | IGUS RING MCM 10-03 | 2 |
| 4 | 0300080505 | VIS MX TCBL TORX M5X16 Z | SCREW TORX M5x16 | 12 |
| 5 | 0304000276 | PLATINE CABLE TRANS MOD | CABLE PLATE | 1 |
| 6 | 0302010102 | ARBRE SORTIE TRANS MOD | Output shaft | 1 |
| 7 | 0301070023 | CIRCLIPS EXT. DE 15 | EXTERNAL RETAINING RING 15 | 1 |
| 8 | 0302020100 | ENTR. 22x15x56.7 N | SPACER 22X15X56.7 | 1 |
| 9 | 0302020099 | ENTRETOISE 22x15x10.6 | SPACER 22x15x10.6 | 1 |
| 10 | 0306010005 | ROULEMENT 6002 2RS | BEARING BALL 6002 2RS | 2 |
| 11 | 0301020015 | GOUPILLE HBK 5X20 ISO 8748ST | PIN Ø5x20 | 1 |
| 12 | 0306050038 | PIGNON 8 DENTS PAS 12.7 L37 | Sprocket 8 teeth pitch 12.7 lenght 37 | 1 |
| 13 | 0302010100 | ARBRE VARIATION TRANS MOD | Speed variation shaft | 1 |
| 14 | 0306060030 | RONDELLE DE FRICTION SURMOULEE | OVERMOLDED FRICTION WASHER | 1 |
| 15 | 0300110606 | VIS-WN7380/2-010.9-TX30-M6X12 (A2K) Vis Torks a embase | Screw Torx M6x12 | 4 |
| 16 | 0300210602 | ECROU FREIN M 6 Z DIN 985-8 | BLOCKING NUT M 6 Z | 4 |
| 17 | 0305020014 | RESSORT VARIATION VITESSE TRANSMISSION MODULAIRE | LOCKING SPRING | 1 |
| 18 | 0306050035 | PIGNON 8 DENTS PAS 9.525 | SPROCKET 8 TEETH PITCH 9.525 | 1 |
| 19 | 0301020011 | GOUPILLE HBK 4x14 ISO 8748ST | PIN Ø4x14 HBK | 1 |
| 20 | 0302020097 | ENTRETOISE 15x10.2x10 | SPACER 15x10.2x10 | 1 |
| 21 | 0306010034 | ROULEMENT 6000 2RS 10x26x8 | 6000 2RS BALL BEARING 10X26X8 | 2 |
| 22 | 0301040022 | CLAVETTE 5x5x18 BTS ROND DIN 6885 FORME A | KEY 5x5x18 DIN 6885 A | 1 |
| 23 | 0306020024 | CHAINE ISO 06B-1 PAS 9.525 38 MAILLONS RSF | CHAIN ISO 06B-1 PITCH 9.525 38 CHAIN LINKS | 1 |
| 24 | 0302010101 | MOYEU MAV TRANS MOD | FORWARD HUB | 1 |
| 25 | 0340030043 | FOURCHETTE TRANSMISSION MODULAIRE | Modular transmission shift fork | 1 |
| 26 | 0301070011 | CIRCLIPS EXT. DE 25 | EXTERNAL RETAINING RING 25 | 1 |
| 27 | 0343020004 | JOINT A LEVRE 17X23X4/5 NBR TYPE WPK | Lip seal 17x23x4/5 NBR type WPK | 2 |
| 28 | 0304000298 | BALANCIER TRANS MOD KD1103 | WALKING BEAM MOD TRANS KD1103 | 1 |
| 29 | 0300011203 | VIS H 12 X 40 Z DIN 933/8.8 | Screw HM 12x40z | 1 |
| 30 | 0300401002 | RONDELLE PLATE M 10X22X2 Z NFE 27611 | PLATE WASHER M 10X22X2 Z NFE 27611 | 2 |
| 31 | 0302010103 | AXE BALANCIER TRANSMISSION MODULAIRE | WALKING BEAM AXLE | 1 |
| 32 | 0300461001 | RONDELLE STARLOCK Ø10 | Starlock washer Ø10 | 2 |
| 33 | 0303010002 | POULIE OSCILLANTE TRANS MOD | OSCILLATING PULLEY | 1 |
| 34 | 0306010035 | ROULEMENT 6204 DDU EMQV1 | 6204 DDU EMQV1 Ball-Bearing | 1 |
| 35 | 0301070006 | CIRCLIP INTERIEUR 47 DIN472-47 | INTERNAL RETAINING RING 47 DIN472-47 | 1 |
| 36 | 0302010104 | AXE DE POULIE OSCILLANTE TRANSMISSION MODULAIRE | Oscillating pulley axle | 1 |
| 37 | 0300401201 | RONDELLE PLATE M 12X27X2.5 Z NFE 25513 | PLATE WASHER M 12X27X2.5 Z NFE 25513 | 1 |
| 38 | 0300211201 | ECROU FREIN M 12 Z DIN 985/8 | BLOCKING NUT M 12 Z | 1 |
| 39 | KE02050201 | SUPPORT DROIT TRANS MOD SOUDE ZN | RIGHT SUPPORT TRANS MOD | 1 |
| 40 | KE02050202 | SUPPORT GAUCHE TRANS. MOD. PLIE ZN | LEFT SUPPORT TRANS MOD | 1 |
| 41 | 0300010816 | VIS H 8x20 Z EMB CR | SCREW H M8X20 Z NOTCHED SHOULDER CL 8.8 | 4 |
| 42 | 0308020049 | CABLE MAR LG40 CF100 BOITIER MODULAIRE | CLUTCH CABLE LENGHT 40MM STROKE 100MM | 1 |
| 43 | 0306030055 | COURROIE 6220MC AVX10 x 1000Lα | Belt AVX10 x 1000Lα BELT AVX10 x 1000Lα | 1 |

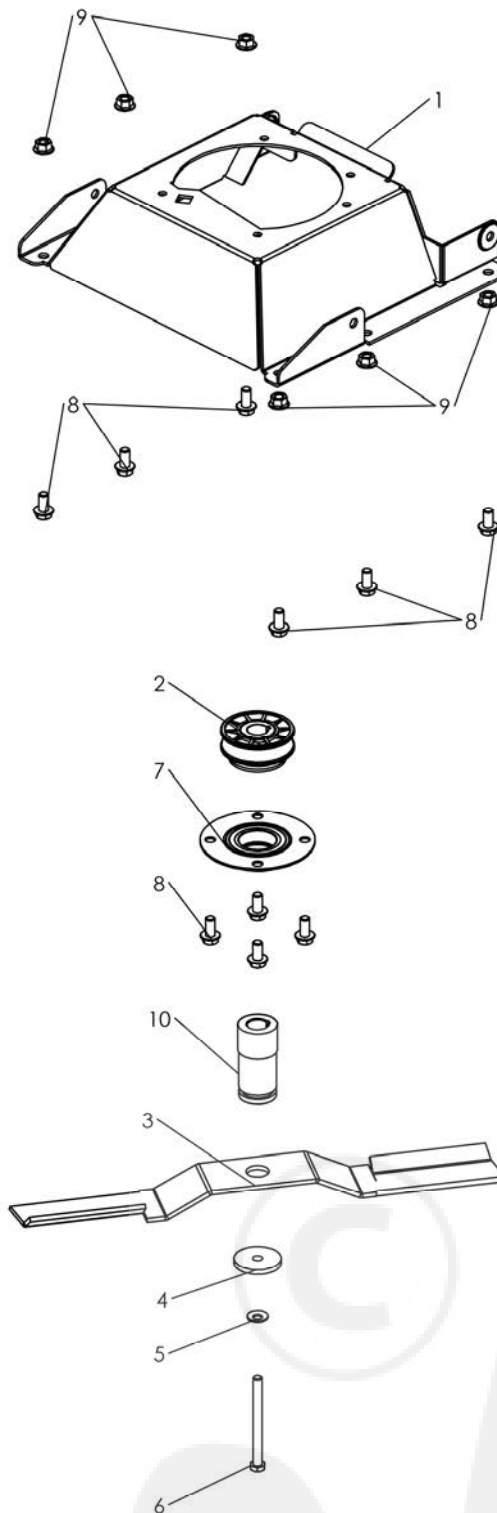


| Rep N° | Ref. | Désignation | Description | HONDA GCV 190/Quantité |
|--------|------------|--|--------------------------------------|------------------------|
| 1 | 0330011027 | HONDA GCV190 NOIR A1-P7-SD | Black Honda GCV190 A1-P7-SD | 1 |
| 2 | 0302020045 | ENTRETOISE 40x22x22 Moteur GCV E51ProV2 | Spacer 40 x 22 x 22 (GCV) | 1 |
| 3 | 0301040001 | CLAVETTE 4.76X4.76X 40 BTS DRO TOL h 9 - XC 48 | KEY 4.76X4.76X40 DRO TOL h 9 - XC 48 | 1 |
| 4 | 0300010817 | VIS H 8x40 Z EMB CR DIN 6921 | SCREW H M8 X 40 | 4 |
| 5 | 0300260801 | ECROU HM 8 ZEMB CR DIN 6923-8 | NUT H M8 Z NOTCHED SHOULDER | 4 |
| 6 | 0503040044 | ETIQUETTE CHAUD/HOT | STICKER HOT | 1 |

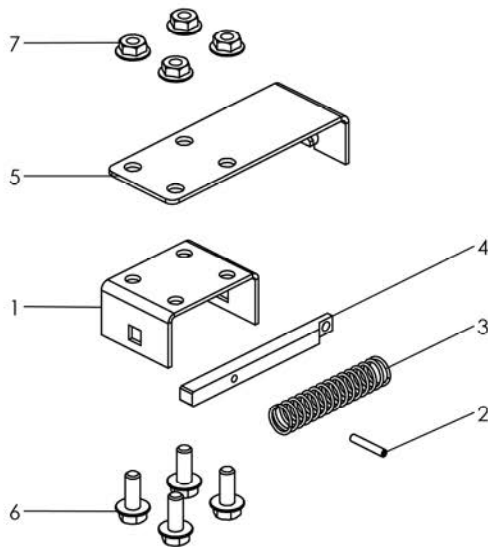
| Rep N° | Ref. | Désignation | Description | RATO RV170/Quantité |
|--------|------------|--|---|---------------------|
| 11 | 0301040001 | CLAVETTE 4.76X4.76X 40 BTS DRO TOL h 9 - XC 48 | KEY 4.76X4.76X40 DRO TOL h 9 - XC 48 | 1 |
| 12 | 0330091005 | RATO RV170 VOLANT LEGER | RATO RV170 | 1 |
| 13 | 0302020197 | ENTRETOISE 40x22x6.8 Moteur R170 - BS | Spacer 40x22x6.8 Engine R170 - BS | 1 |
| 14 | 0300010838 | VIS H 8x25 Z EMB CR DIN 6921 CL 6.8 | SCREW H 8x25 Z DIN 6921 NOTCHED SHOULDER CL 6.8 | 3 |
| 15 | 0503040044 | ETIQUETTE CHAUD/HOT | STICKER HOT | 1 |

| Rep N° | Ref. | Désignation | Description | BRIGGS 675 SERIES/Quantité |
|--------|------------|--|---|----------------------------|
| 21 | 0301040001 | CLAVETTE 4.76X4.76X 40 BTS DRO TOL h 9 - XC 48 | KEY 4.76X4.76X40 DRO TOL h 9 - XC 48 | 1 |
| 22 | 0300010817 | VIS H 8x40 Z EMB CR DIN 6921 | SCREW H M8 X 40 | 2 |
| 23 | 0300260801 | ECROU HM 8 ZEMB CR DIN 6923-8 | NUT H M8 Z NOTCHED SHOULDER | 3 |
| 24 | 0302020197 | ENTRETOISE 40x22x6.8 Moteur R170 - BS | Spacer 40x22x6.8 Engine R170 - BS | 1 |
| 25 | 0503040044 | ETIQUETTE CHAUD/HOT | STICKER HOT | 1 |
| 26 | 0330021018 | BRIGGS 675 SERIES VERTICAL | Engine BRIGGS 675 SERIES | 1 |
| 27 | 0300010837 | VIS H 8x55 Z EMB CR DIN 6921 CL 6.8 FILETAGE PARTIEL | SCREW H 8x55 Z DIN 6921 NOTCHED SHOULDER CL 6.8 | 1 |

| Rep N° | Ref. | Désignation | Description | KOHLER XT775 /Quantité |
|--------|------------|--|--------------------------------------|------------------------|
| 31 | 0301040001 | CLAVETTE 4.76X4.76X 40 BTS DRO TOL h 9 - XC 48 | KEY 4.76X4.76X40 DRO TOL h 9 - XC 48 | 1 |
| 32 | 0300010817 | VIS H 8x40 Z EMB CR DIN 6921 | SCREW H M8 X 40 | 3 |
| 33 | 0503040044 | ETIQUETTE CHAUD/HOT | STICKER HOT | 1 |
| 34 | 0302020198 | ENTRETOISE 40x22x14 Moteur Kohler | SPACER 40x22x14 KOHLER | 1 |
| 35 | 0330101002 | MOTEUR KOHLER XT-775 | MOTOR KOHLER XT-775 | 1 |
| 36 | 0300260801 | ECROU HM 8 ZEMB CR DIN 6923-8 | NUT H M8 Z NOTCHED SHOULDER | 3 |

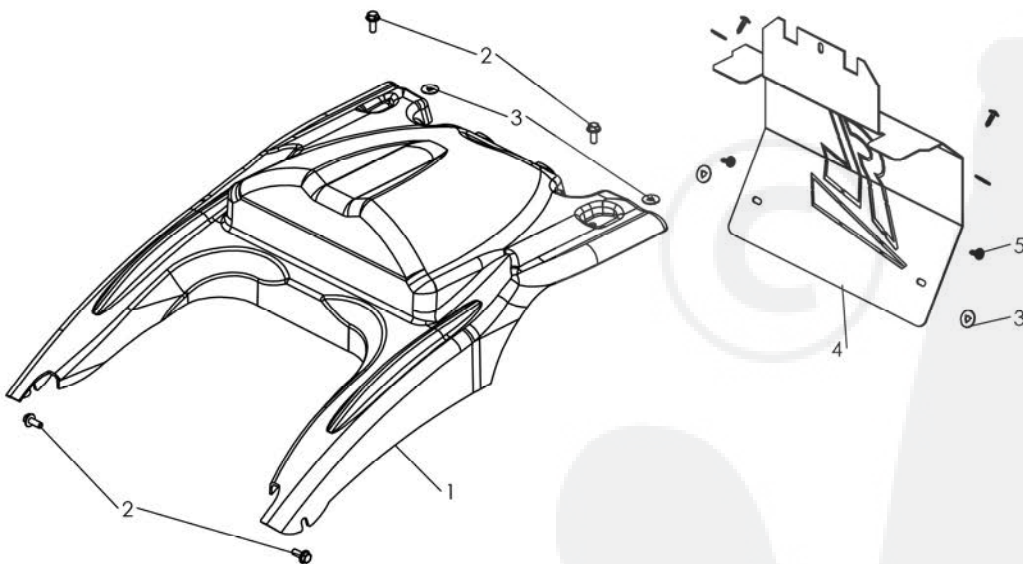


| Rep N° | Ref. | Désignation | Description | Qté |
|--------|------------|---|--|-----|
| 1 | 4102073701 | PLATINE MOTEUR SOUDEE NOIR | BLACK ENGINE SUPPORT | 1 |
| 2 | 0306060014 | POULIE MOTEUR VARIATRICE D22.2 FLASQUE MOBILE ALU | VARIATION MOTOR PULLEY Ø22.2 | 1 |
| 3 | 0320020017 | LAME COUDEE L=53 | Blade L=53 | 1 |
| 4 | 0302020161 | RONDELLE DE BLOCAGE | Lock washer | 1 |
| 5 | 0300431001 | RONDELLE CONTACT 10 BIC NFE 25-511 | Elastic washer 10 Bic | 1 |
| 6 | 0300060309 | VIS 3/8 TH24 UNF LG 105 Z | Screw 3/8 TH24 UNF Lg70 | 1 |
| 7 | 4101020013 | TROISIEME PALIER ASS | Blade guard hub | 1 |
| 8 | 0300011027 | VIS H 10x20 Z EMB CR DIN 6921 CL 6.8 | SCREW H 10x20 Z DIN 6921 NOTCHED SHOULDER CL 6.8 | 10 |
| 9 | 0300261001 | ECROU HM 10 ZEMB CR DIN 6923 | Nut H M10 notched shoulder | 6 |
| 10 | 0302030114 | MOYEU DE LAME RL2006 | Blade hub RL2006 | 1 |



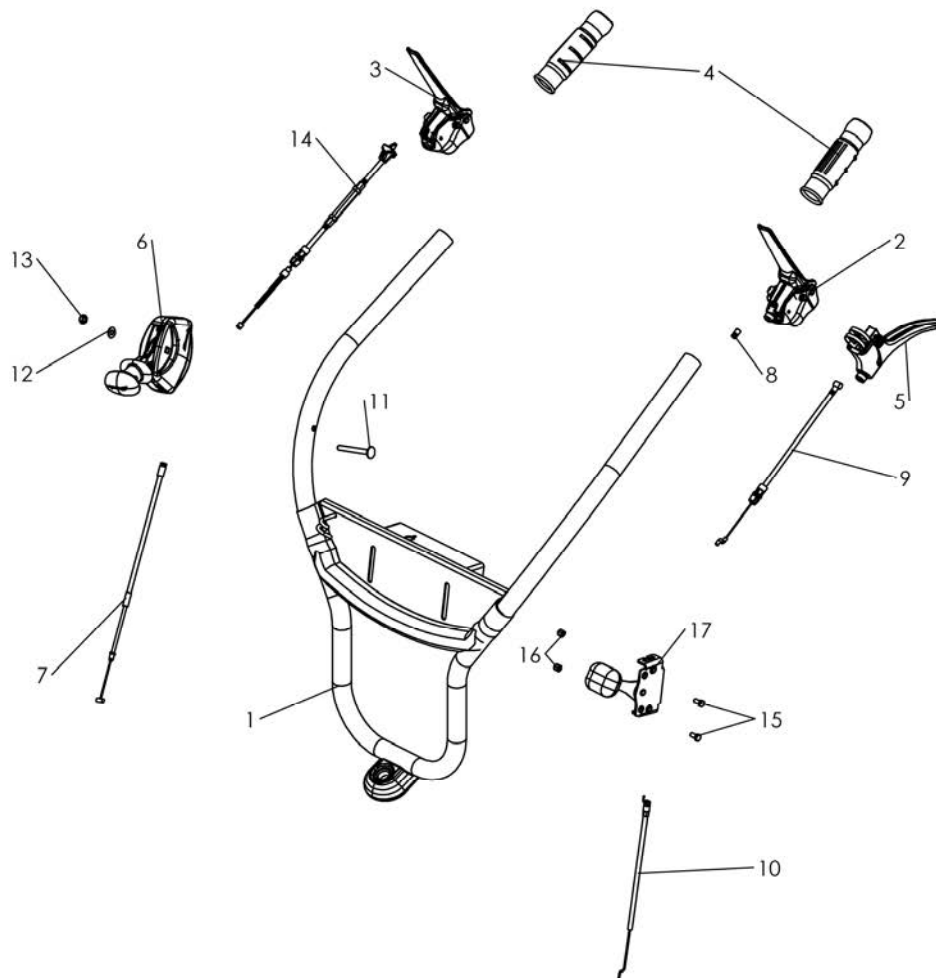
| Rep N° | Ref. | Désignation | Description | Qté |
|--------|------------|--------------------------------|---|-----|
| 1 | 4002000102 | SUPP AXE RELEVAGExE51-03xBICHx | Locking pin support | 1 |
| 2 | 0301020002 | GOUPILLE HBK 4x24 | Cotter-pin 4x24 HBK | 1 |
| 3 | 0305020001 | RESSORT CP 13,4x75 16/10 | Locking spring | 1 |
| 4 | 0302010030 | AXE RELEVAGE xE51-03xBICHx | Locking pin | 1 |
| 5 | 4102040101 | SUPP VERR RELEVAG XTREM RL2008 | Support locking raising | 1 |
| 6 | 0300010816 | VIS H 8x20 Z EMB CR | SCREW H M8X20 Z NOTCHED SHOULDER CL 8.8 | 4 |
| 7 | 0300260801 | ECROU HM 8 ZEMB CR DIN 6923-8 | NUT H M8 Z NOTCHED SHOULDER | 4 |

41_FONCTION AXE DE RELEVAGE_RL2006

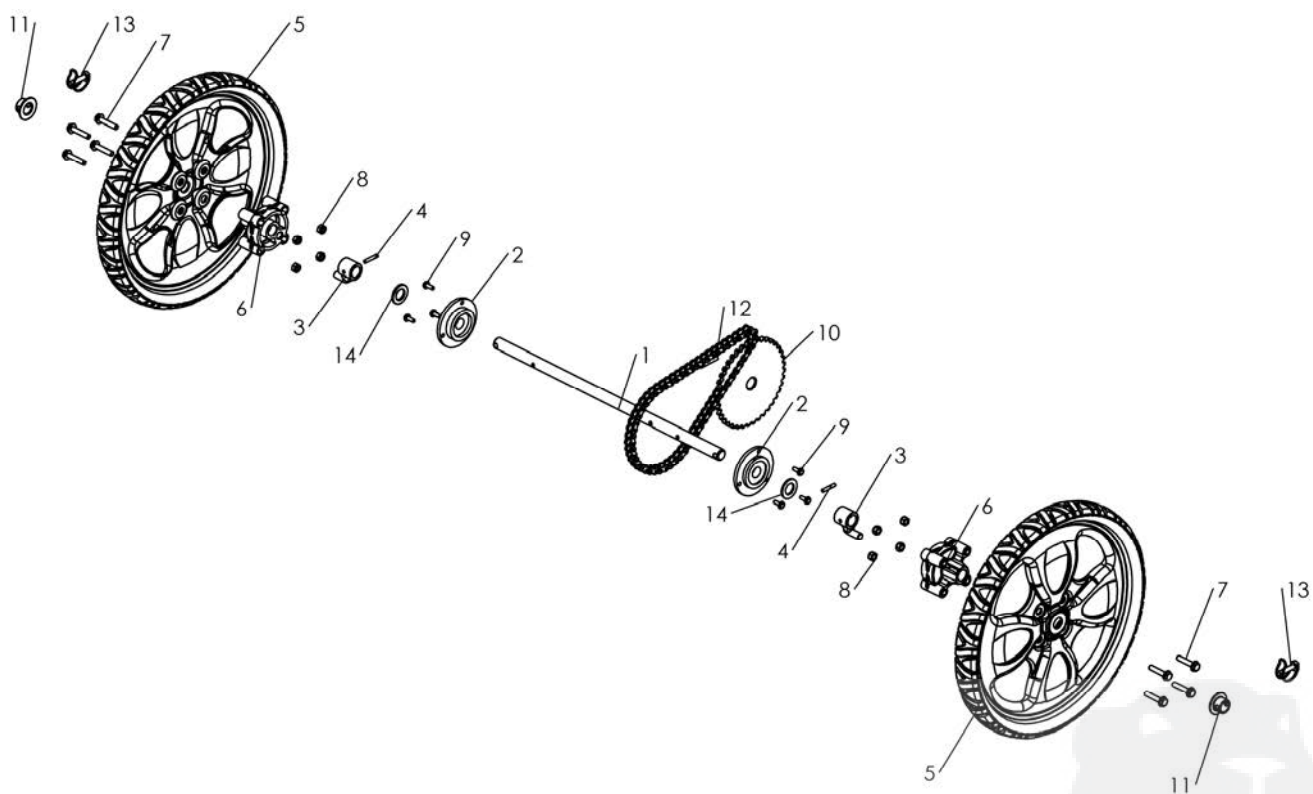


| Rep N° | Ref. | Désignation | Description | Qté |
|--------|------------|--|--------------------------------------|-----|
| 1 | 0340410001 | CAPOT JAUNE | YELLOW CARTER | 1 |
| 2 | 0300010609 | VIS H 6x16 Z EMB CR DIN 6921 | SCREW HM 6X16 Z NOTCHED SHOULD | 4 |
| 3 | 0300470501 | RONDELLE NOIR PA6.6 QUICKLOCK SERIE60 | BLACK PA6.6 WASHER QUICKLOCK SERIE60 | 6 |
| 4 | 4102043902 | CAPOT ARRIERE | REAR CARTER | 1 |
| 5 | 0300080405 | VIS TOLE TETE POELIER D11 POZI Cr 4.2X16 Z | SCREW POZI 4.2X16Z | 4 |

41_CAPO_TL2008 _ Défaut:



| Rep N° | Ref. | Désignation | Description | Qté |
|--------|------------|--|---|-----|
| 1 | 4102073704 | GUIDON PERCE NOIR GIVRE | BLACK HANDLEBAR | 1 |
| 2 | 0307010051 | POIGNEE 207108 MONTEE AVEC CAB | Handle with cable | 1 |
| 3 | 0307010064 | LEVIER EMBR MAV LASC C30 Ø25 | CLUTCH LEVER Ø25 | 1 |
| 4 | 0307020027 | POIGNEE D=25 | Handle Ø25 | 2 |
| 5 | 0307010066 | LEVIER REG HT LAB D7B01+TEMPO LABC7B01.RH | LEVER LAB D25 STROKE 30 Handlebar D25mm | 1 |
| 6 | 0307020021 | MANETTE VAR. VITESSE x LGK07FK40 | Speed transition lever LGK07FK40 | 1 |
| 7 | 0308010018 | CABLE VARIATION VITESSE LG GAINE 870 C45 COUDE | VARIATION SPEED CABLE LENGHT 870 | 1 |
| 8 | 0308050012 | CABLE FREIN MOTEUR 1354/55 (manette LASC) | ENGINE BRAKE CABLE 1354/55 (LASC lever) | 1 |
| 9 | 0308030012 | CABLE REGL HAUTEUR COUPELLE | Height setting cable | 1 |
| 10 | 0308080006 | CABLE DE GAZ | Throttle cable | 1 |
| 11 | 0300080605 | VIS TRCC 6 X 55/20 Z Din603 | Screw TRCC M6x55 z | 1 |
| 12 | 0300400602 | RONDELLE PLATE M 6X14X1.2 Z | PLATE WASHER M 6X14X1.2 Z NFEN 25513 | 1 |
| 13 | 0300210602 | ECROU FREIN M 6 Z DIN 985-8 | BLOCKING NUT M 6 Z | 1 |
| 14 | 0308020071 | CABLE EMBR MAV LG1080 CF125 | CLUTCH CABLE LENGHT 1080 STROK 125 | 1 |
| 15 | 0300010504 | VIS H M5x10 CL8.8 ZN ISO 4017 | SCREW H M5x10 CL8.8 ZN | 2 |
| 16 | 0300210501 | ECROU FREIN M 5 Z DIN 985/8 | Blocking nuf M5 Z | 2 |
| 17 | 0307020026 | POIGNEE ACCELERATEUR | Throttle handle | 1 |



| Rep N° | Ref. | Désignation | Description | Qté |
|--------|------------|----------------------------------|-------------------------------|-----|
| 1 | 0302010171 | ARBRE DE ROUE | WHEEL SHAFT | 1 |
| 2 | 0340030013 | PALIER ARBRE ROUE DIAM 20 | WHEEL FLANGE BEARING Ø20 | 2 |
| 3 | 0302030014 | MOYEU ROUE INTERIEUR xE51x | Wheel hub E51 | 2 |
| 4 | 0301020004 | GOUPILLE HBK 5x30 ISO 8748ST | Pin Ø5x30 HBK | 2 |
| 5 | 4101020008 | ROUE NOIRE GIVREE ASSEMBLEE | BLACK WHEEL | 2 |
| 6 | 0340030050 | MOYEU DE ROUE D1001 NOIR RAL9005 | Black RAL9005 D1001 wheel hub | 2 |
| 7 | 0300010817 | VIS H 8x40 Z EMB CR DIN 6921 | SCREW H M8 X 40 | 8 |
| 8 | 0300210802 | ECROU FREIN M 8 Z DIN 985/8 | BLOCKING NUT HM 8 Z DIN 985/8 | 8 |
| 9 | 0300090602 | VIS AUTOTAR TH A EMB 6 X 16 Z | Screw HM6x16 z Self-tapping | 6 |
| 10 | 0306050090 | PIGNON 40dts PAS 12.7 | PINION 40 TEETH | 1 |
| 11 | 0302020196 | BAGUE ARRET ROUE | RING STOP WHEEL | 2 |
| 12 | 0301020014 | GOUPILLE HBK 6x40 ISO 8748ST | COTTER-PIN 6X40 HBK | 1 |
| 13 | 0301010013 | GOUPILLE CLIPS 8 x 36 | CLIP PIN D8 x 36 | 2 |
| 14 | 0300402001 | RONDELLE PLATE 21x36x3z | WASHER 21x36x3z | 2 |
| 15 | 0306020044 | CHAINE OUV. ISO 08B 12.7mm | CHAIN 08B 12.7 | 1 |