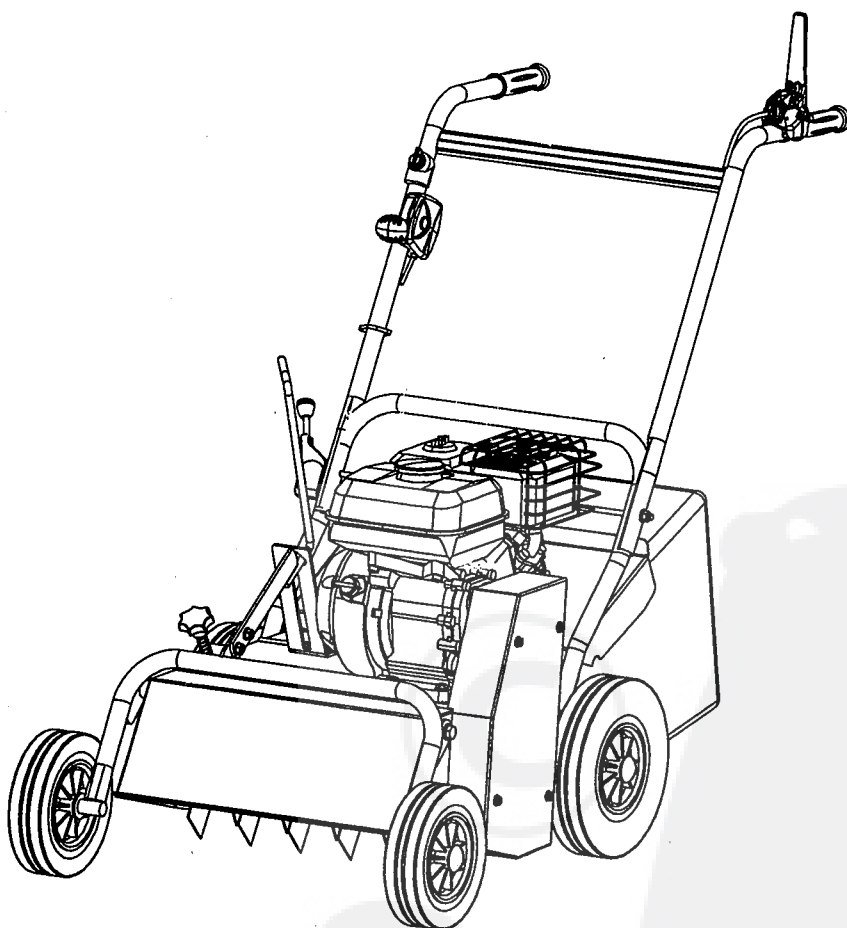
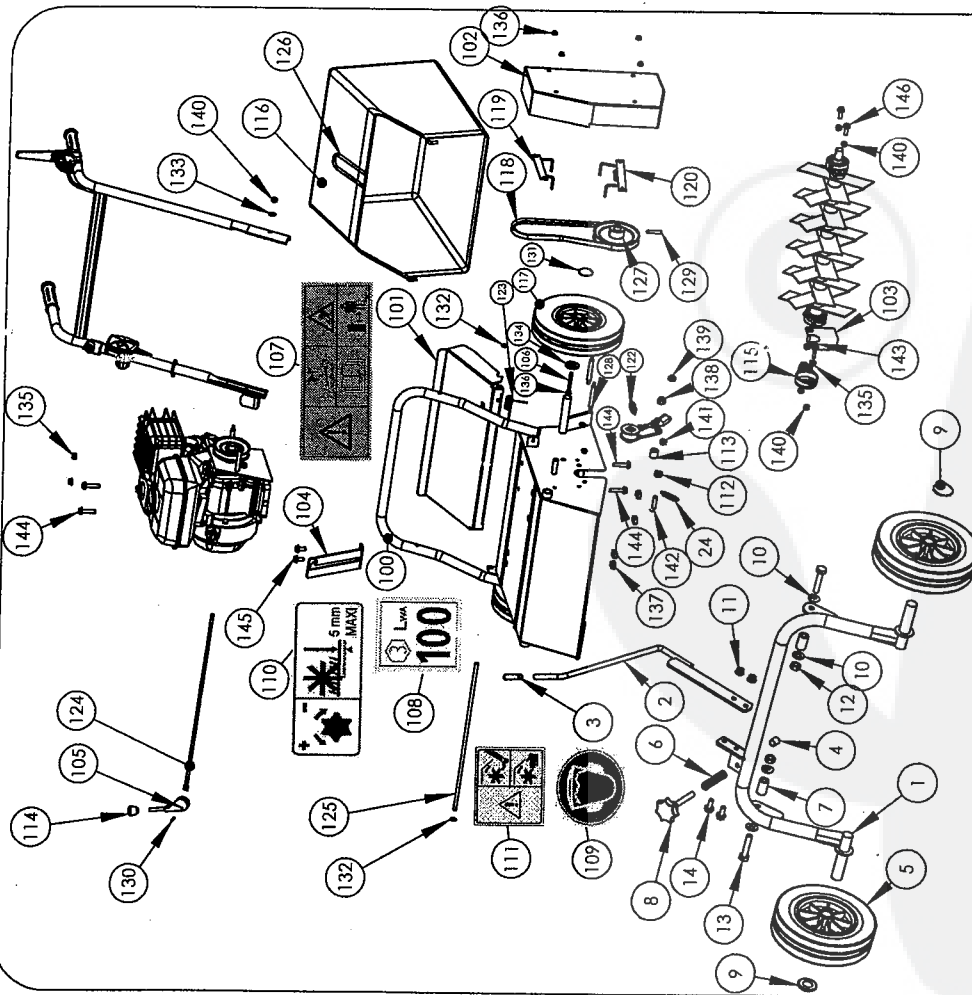


Pièces de rechange Spare parts list

SCARIF 40

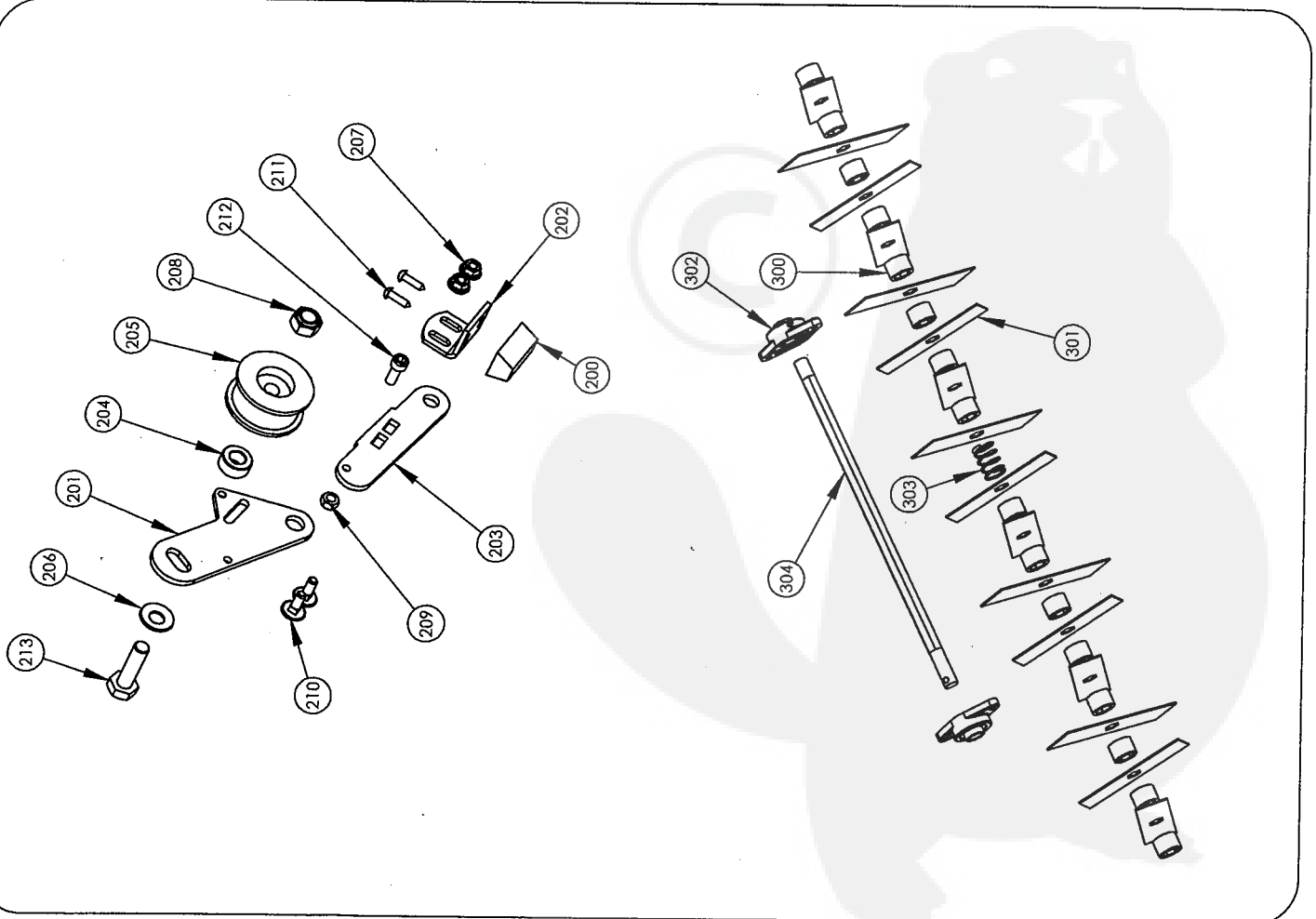


SCARIFICATEUR
SCARIFIER



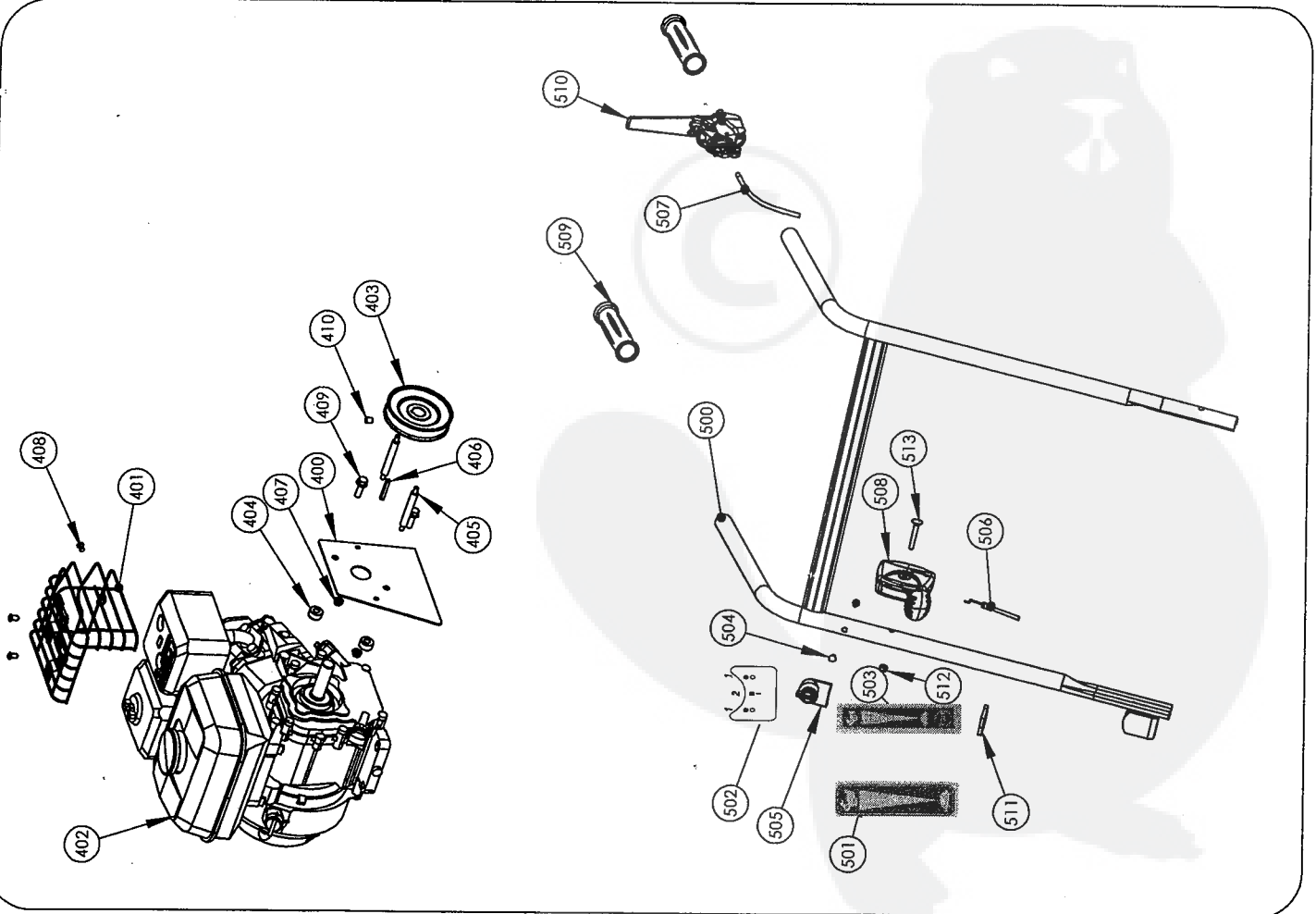
Rep N°	Ref.	Désignation	Description	Qté
1	K02011603	TRAIN AVANT SCARIF 40 SOUDE NOIR	BLACK FRONT AXLE	1
1	K02011101	TRAIN AVANT SCARIF 40 SOUDE GRIS CLAIR	LIGHT GRAY FRONT AXLE	1
1	K02011201	TRAIN AVANT SCARIF 40 SOUDE GRIS FONCE	DARK GRAY FRONT AXLE	1
2	K02010202	LEVER DE RELEVAGE SCARIF SOUDE	LIFT HANDLE	2
3	K341000012	EMBOUT PLASTIQUE DIAMETRE 9 x 50	END PIECE LENGTH : 50	1
4	K341000006	EMBOUT ROND ENVELOPPANT	WHEEL DIAM 200	1
5	K309000011	ROUE DIAM 200	WHEEL DIAM 200	2
6	K305020005	RESSORT POIGNEE REGLAGE HAUT	SPRING	1
7	K302020017	ENTRETOISE ARTICULATION	ROUND SPACER	2
8	K300801001	MOLETTE REGLAGE HAUT. M10	HEIGHT LEVEL ADJUSTMENT	1
9	K300702001	ENJOLIVEUR Ø20	TRIM STOPPER	2
10	K300431001	RONDELLE CONTACT M 10	WASHER M10	4
11	K300260801	ECROU H M8 EMB CR	NUT H M8 NOTCHED SHOULDER	2
12	K300201001	ECROU HU M10	NUT HU M10	2
13	K300011012	VIS TH 10 x 50 ZN	SCREW TH 10 X 50 ZN	2
14	K300010802	VIS EMB CR 8 x 20	SCREW H NOTCHED SHOULDER 8 X 20	2

Rep N°	Ref.	Désignation	Description	Qté
100	K02013602	CARTER SCARIF SOUDE BLEU	BLUE SCARIF CARTER	1
100	K02012101	CARTER SCARIF SOUDE VERT	GREEN SCARIF CARTER	1
100	K02010702	CARTER SCARIF SOUDE ROUGE RAL 3000	RED RAL 3000 SCARIF CARTER	1
100	K02010602	CARTER SCARIF SOUDE ROUGE RAL 3002	RED RAL 3002 SCARIF CARTER	1
100	K02012602	CARTER SCARIF SOUDE ORANGE	ORANGE SCARIF CARTER	1
101	K02011604	VOILET NOIR	BLACK BACK SHUTTER	1
102	K02011601	CAPOT COURROIE SCARIF NOIR	BLACK BELT CARTER SCARIF	1
103	K02010402	PROTECTION CARTER SCARIF ZN NOIR	BLACK PROTECTIVE CARTER	1
104	K02010204	SELECTEUR HAUTEUR SCARIF ZN	WORK LEVEL SELECTION TOOL	1
105	K02010203	LEVIER VERROUILLAGE MANCHERON SCARIF ZN	HANDLEBAR LOCKING LEVER	1
106	KC04010022	VIS BIELETTE EMBRAYAGE	CLUTCH SCREW	1
107	K503000029	AUTOCOLLANT PRECAUTION D'EMPLOI	STICKER "CAUTION OF USE"	1
108	K503000019	AUTOCOLLANT 100 D.B.A.	STICKER 100 D.B.A.	1
109	K503000012	AUTOCOLLANT CASQUE	STICKER "EARMUFF"	1
110	K503000008	AUTOCOLLANT REGLAGE HAUTEUR DE COUPE	STICKER "HEIGHT ADJUSTMENT"	1
111	K503000007	AUTOCOLLANT DANGER SECTIONNEMENT	STICKER "DANGER"	1
112	K341000010	ENTRETOISE PLASTIQUE FREIN SCARIF	ROUND SPACER FOR BRAKES	1
113	K341000009	ENTRETOISE LEVIER EMBRAYAGE SCARIF	ROUND SPACER	1
114	K341000002	BOULE PLASTIQUE NOIR DIAM 8	END PIECE Ø 8	1
115	K340000044	CACHE PALIER	BEARING COVER	1
116	K320070001	PANIER SCARIFICATEUR	BAG	1
117	K309000012	ROUE DIAM 250	WHEEL DIAM 250	2
118	K306030028	COURROIE LA33	BELT LA33	1
119	K305030009	PLAQUE DE DEBRAYAGE SUPERIEURE SCARIF	UPPER DECLUTCHING PLATE	1
120	K305030006	PLAQUE DE DEBRAYAGE INFERIEURE	LOWER DECLUTCHING PLATE	1
24	K305010011	RESSORT RAPPEL LEVIER EMBRAYAGE	SPRING	1
122	K305010006	RESSORT DE RAPPEL	SPRING	1
123	K305010004	RESSORT DE VOILET	SPRING FOR BACK SHUTTER	1
124	K305000017	TIGE FILETEE VEROUILLAGE MANCHERON SCARIF 40	HANDLEBAR LOCKING AXLE	1
125	K305000003	AXE DE FIXATION VOILET SCARIFICATEUR	AXLE OF BACK SHUTTER	1
126	K305000002	ARMATURE PANIER SCARIF NOIR	BAG SKELETON	1
127	K303020011	POULIE ROTOR SCARIF 40	ROTOR'S PULLEY	1
128	K302010022	AXE EPAULE FIXATION CAPOT	CARTER INSTALLATION AXLE	2
129	K301020005	GOUPILE ROULEE 8 X 40	COITER PIN 8x40 H8K	1
130	K301020003	GOUPILE H8K 4 X 16	COITER PIN 4x16 H8K	1
131	K300702001	ENJOLIVEUR Ø20	TRIM STOPPER	2
132	K300460801	RONDELLE STARLOCK DIAM 8	WASHER STARLOCK DIAM 8	2
133	K300430801	RONDELLE CONTACT M8	WASHER M8	1
134	K300402001	RONDELLE PLATE 20 X 36 X 3	PLATE WASHER 20 X 36 X 3	1
135	K300260801	ECROU H M8 EMB CR	NUT H M8 NOTCHED SHOULDER	2
136	K300260601	ECROU H M6 2 EMB CR	NUT H M6 2 NOTCHED SHOULDER	4
137	K300230802	ECROU "RAPID" DE 8 C-4808 B	NUT RAPID M8 C 4808B	8
138	K300211201	ECROU FREIN M12	NUT BRAKE M10	4
139	K300211001	ECROU FREIN M10	BLOCKING NUT M10	1
140	K300210801	ECROU FREIN M8	BLOCKING NUT M8	1
141	K300201001	ECROU HU M10	NUT HU M10	5
142	K300011010	VIS HM 10 x 35	SCREW HM 10 x 35	1
143	K300010831	VIS HM 8x35 EMB CR	SCREW HM 8x35 notched shoulder	1
144	K300010803	VIS H EMB CR 8 x 40	SCREW H NOTCHED SHOULDER 8 X 40	2
145	K300010802	VIS EMB CR 8 x 20	SCREW H NOTCHED SHOULDER 8 X 20	4
146	K300010801	VIS H EMB CR 8 x 25	SCREW H NOTCHED SHOULDER 8 X 25	2



Rep N°	Ref.	Désignation	Description	Qté
2/0	K104010016	FREIN ROTOR SCARIF	ROTOR'S BRAKE	1
201	K102010208	LEVIER EMBRAYAGE SCARIF ZN	CLUTCH LEVER	1
202	K102010207	EQUERRE FIXATION COURROIE DE FREIN PLIEE	FIXING BRAKE CARPENTER'S SQUARE	1
203	K102010206	LEVIER FIXATION FREIN SCARIF TARAUDE	FIXING BRAKE PLATE	1
204	K341000013	ENTRETOISE 10.5 x 20 x 9	ROUND SPACER 10.5 x 20 x 9	1
205	K306010001	GALET EMBRAYAGE	CLUTCH PULLEY	1
206	K300431001	RONDELLE CONTACT M 10	WASHER M10	1
207	K300260601	ECROU H M6 Z EMB CR	NUT H M6 Z NOTCHED SHOULDER	2
208	K300211001	ECROU FREIN M10	BILOCKING NUT M10	1
209	K300200602	ECROU HU M6	NUT HU M6	1
210	K300080601	VIS TRCC 6 x 16	SCREW TRCC 6 x 16	2
211	K300070401	VIS TOLE TCL POZ 4.2 x 15.9 ZN	SCREW POZI DRIVE 4.2 x 15.9	2
212	K300020604	VIS CHC 6 x 16	SCREW CHC M6 x 16	2
213	K300011010	VIS HM 10 x 35	SCREW HM 10 x 35	1

Rep N°	Ref.	Désignation	Description	Qté
300	K340000038	ENTRETOISE PLAST HEXA 22.7 x 35.75 X 25	SPACER H 22.7 x 35.75 x 25	16
301	K320020002	COUTEAUX FIXES SCARIFICATEUR	KNIFE	16
302	K306010011	PALIER FONTE DIAM=20	SELF ALIGNING BEARING UNIT	2
303	K305020006	RESSORT ROTOR	ROTOR SPRING	1
304	K302010005	ARBRE ROTOR COUTEAUX FIXES SCARIF 40	ROTOR AXLE	1



Rep N°	Ref.	Désignation	Description	Qté
400	K102011602	TOILE PROTECTION FOUILLE MOTEUR SCARIF NOIR	CARTER FOR ENGINES PULLEY	1
401	K330030201	GRILLE ECHAPEMENT EP	EXHAUST GRILL EP	1
401	K330010201	GRILLE ECHAP GX120/GX160	EXHAUST GRILL GX120/GX160	1
402	K330030104	MOTEUR SUBARU EP 1.6 *	SUBARU EP 1.6 ENGINE *	1
403	K330010105	MOTEUR HONDA GX120 *	HONDA GX120 ENGINE *	1
403	K303020010	FOUILLE MOTEUR	ENGINES PULLEY	1
404	K302020034	ENTRETOISE TOILE PROTECTION SCARIF	ROUND SPACER	1
405	K302010022	AXE EPAULE FIXATION CAPOT	CARTER INSTALLATION AXLE	2
406	K301040002	CLAVETTE B.DROIT 4.76 x 4.76 x 37	KEY 4.76 X 4.76 X 37	2
407	K300240601	ECROU H M6 Z EMB CR	NUT H M6 Z NOTCHED SHOULDER	1
408	K300070601	VIS TOILE TCI POZ 4.2 x 15.9 ZN	SCREW TCI POZ 4.2 X 15.9 ZN	2
409	K300040506	VIS TH EMB CR 5/16 LG 25 8.8 UNC	SCREW TH 5/16 X 25 NOTCHED SHOULDER	3
410	K300040802	VIS STHC 8 X 10 BOUT CUVETTE	SCREW TH 8 X 10	2

* Le service après-vente moteur : S'adresser au réseau motoriste concerné.

* Obvious guarantee : Contact the motorist sales network

Rep N°	Ref.	Désignation	Description	Qté
500	K102011102	MANCHERON SCARIF 40 SOUDE GRIS CLAIR	LIGHT GRAY HANDLEBAR	1
500	K102011202	MANCHERON SCARIF 40 SOUDE GRIS FONCE	DARK GRAY HANDLEBAR	1
500	K102011605	MANCHERON SCARIF 40 SOUDE NOIR	BLACK HANDLEBAR	1
501	K5030000037-	ETIQUETTE GAZ (SANS STOP SANS STARTER)	STICKER THROTTLE (WITH STARTER)	1
502	K5030000032-	AUTO COLLANT SWITCH	SWITCH STICKER	1
503	K5030000031-	AUTO COLLANT ACCELERATEUR STOP SANS STARTER	STICKER "ENGINE SPEED VARIATION" WITHOUT STARTER	1
504	K341000011	OBTURATEUR 10 x 7 x 6.5	CAP 10 X 7 X 6.5	2
505	K330010203	SWITCH MOTEUR HONDA	SWITCH HONDA ENGINE	1
506	K308040012	CABLE COMMANDE DES GAZ	THROTTLE CABLE	1
507	K308020009-	CABLE EMBRAYAGE	CLUTCH CABLE	1
508	K307020010	POIGNEE GAZ	THROTTLE LEVER	1
509	K307020005	LEVIER EMBRAYAGE	CLUTCH LEVER	2
510	K307010018	COLLIER PLASTIQUE	COLLAR	1
511	K301060001	COLLIER PLASTIQUE NOIR	BLACK COLLAR	4
512	K300210601	ECROU FREIN H M6	BLOCKING NUT M6	4
513	K300080603	BOULON TRCC 6 x 45	SCREW TRCC 6 X 45	1