

GR481, 531, 532 PARTS

Fig. 1

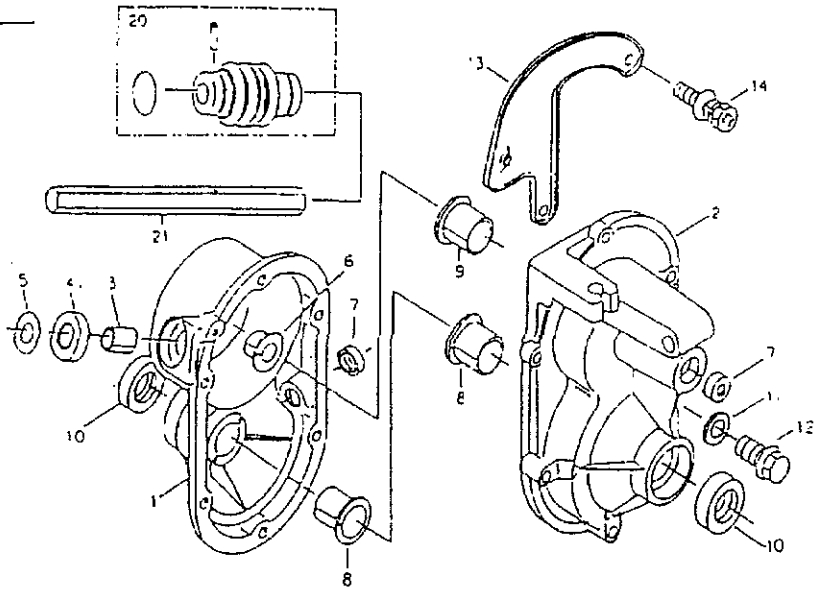


Fig. 3

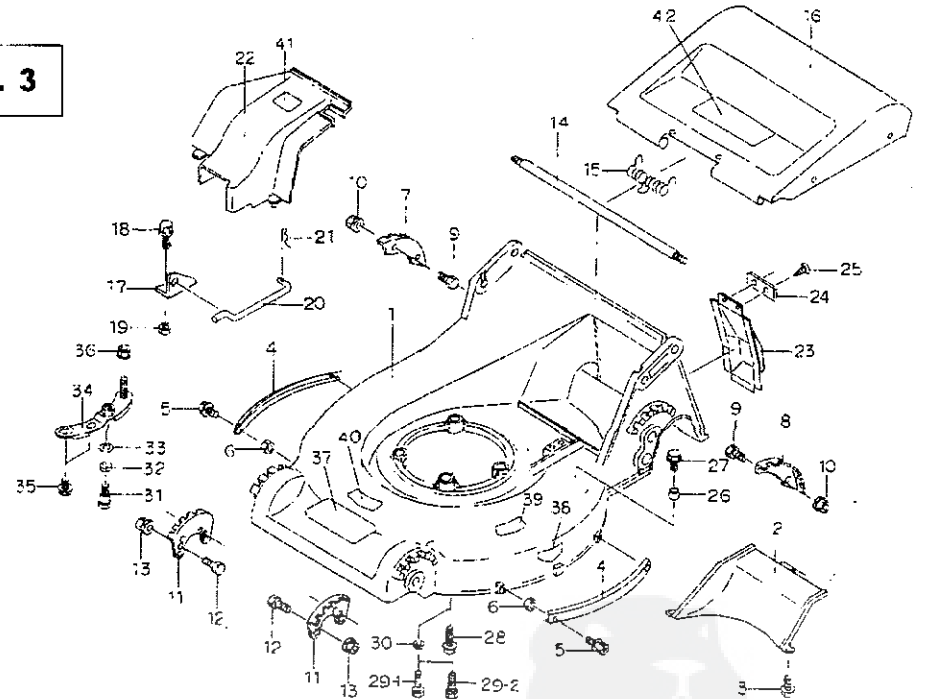


Fig. 2

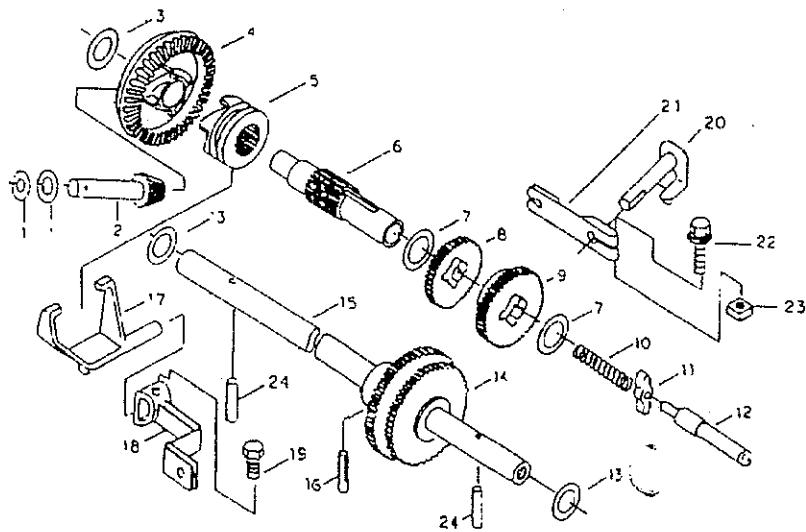


Fig. 4 (GR481, 531)

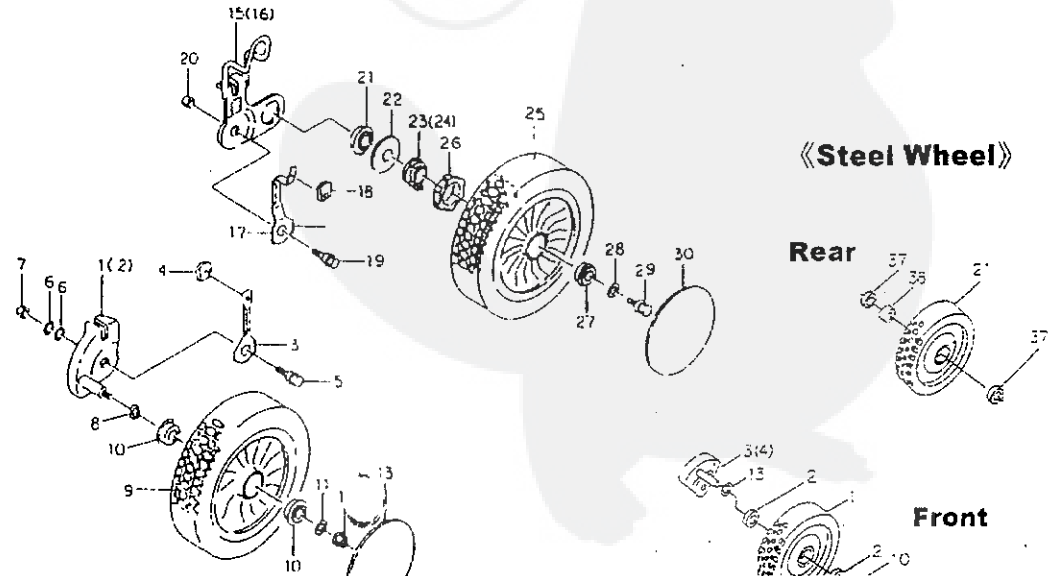


Fig 1 (GR532)

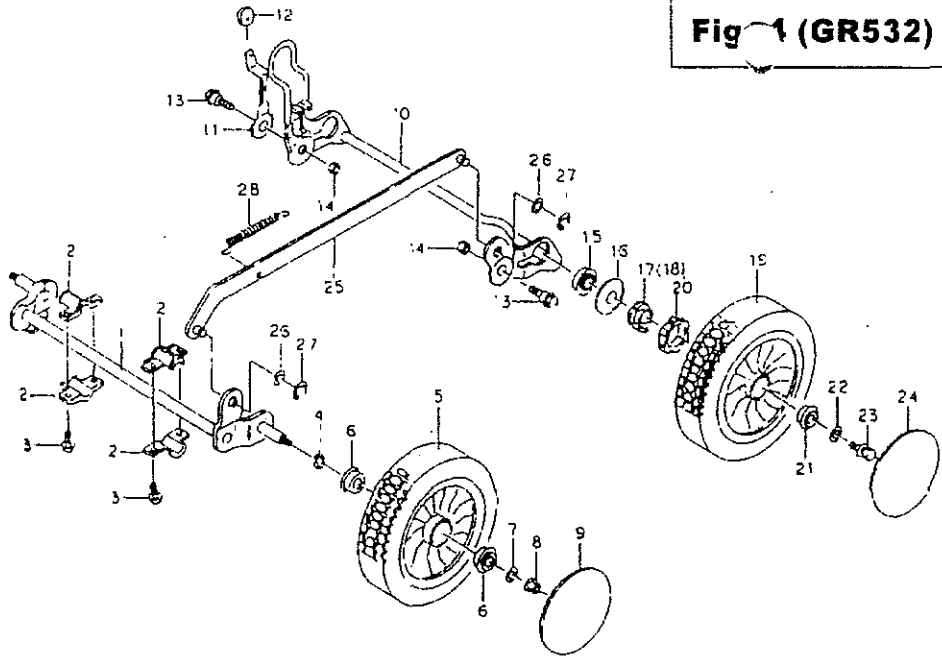


Fig. 6

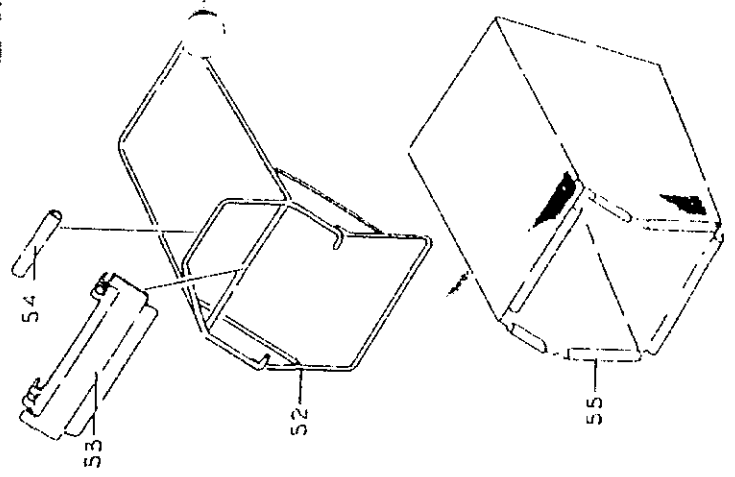


Fig. 5

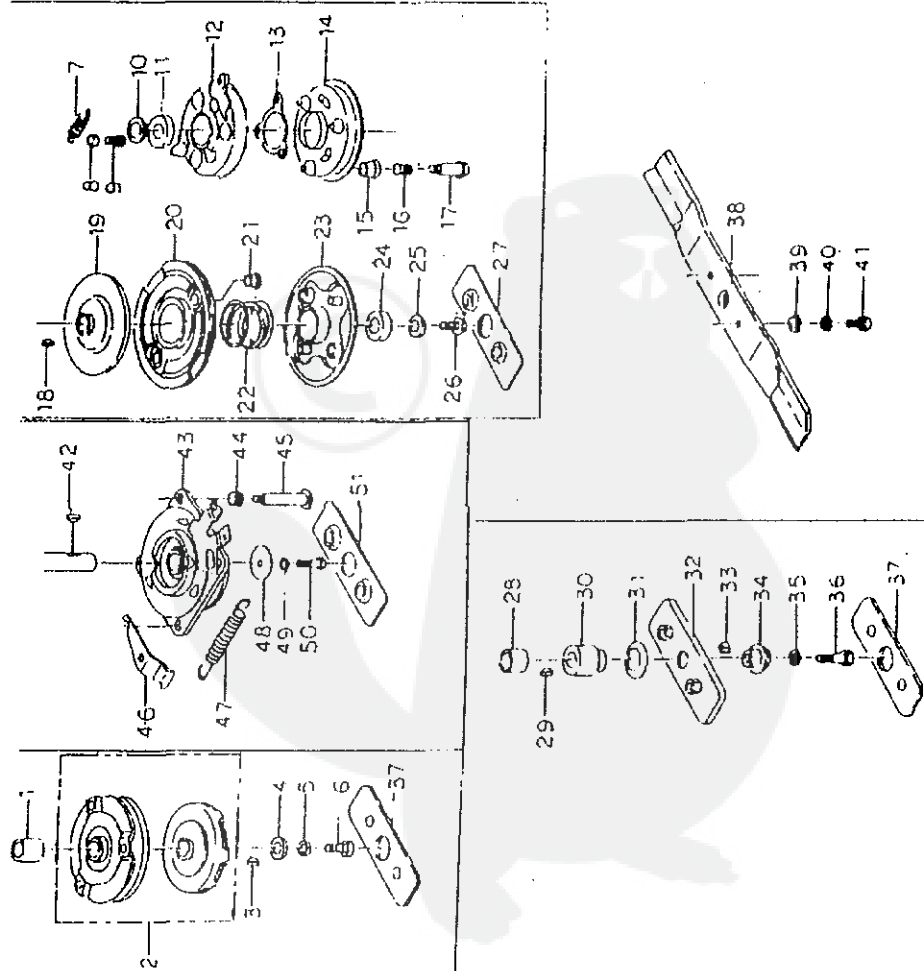
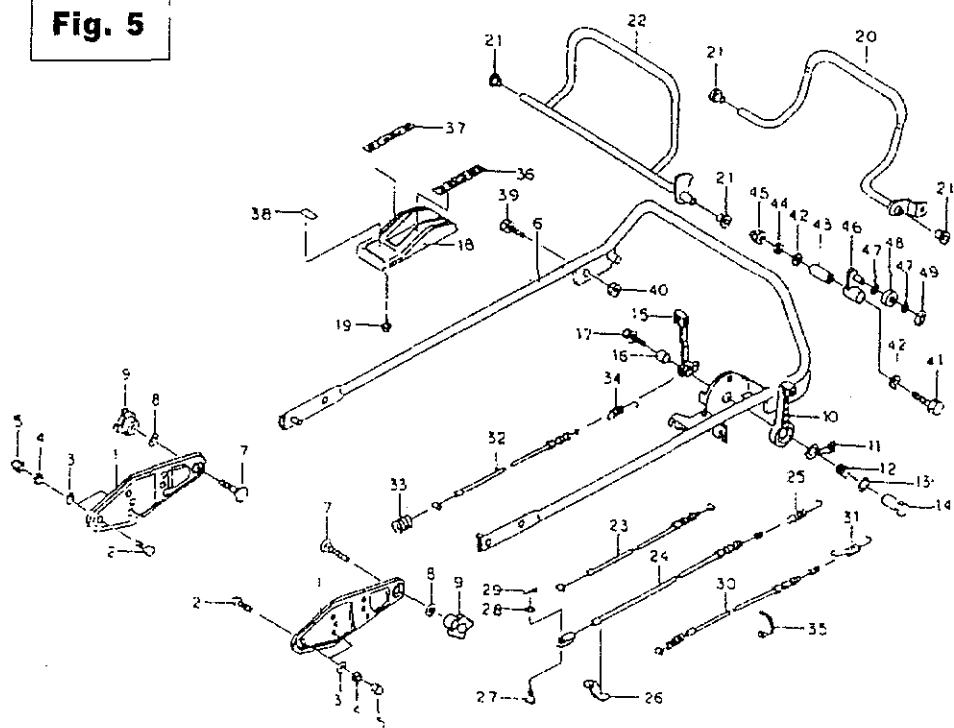


Fig. 1 Gear Case

| Ref. | Parts No. | Quantity | | | | | | Remarks |
|------|----------------|----------|---|-----|---|-----|---|---------|
| | | 481 | | 531 | | 532 | | |
| | | C | D | C | D | C | D | |
| 1 | 80-1020-100-00 | 1 | 1 | 1 | 1 | 1 | 1 | |
| 2 | 80-1020-101-00 | 1 | 1 | 1 | 1 | 1 | 1 | |
| 3 | 80-1020-103-00 | 1 | 1 | 1 | 1 | 1 | 1 | |
| 4 | 89-3512-010150 | 1 | 1 | 1 | 1 | 1 | 1 | |
| 5 | 89-5121-102007 | 1 | 1 | 1 | 1 | 1 | 1 | |
| 6 | 83-1210-352-00 | 1 | 1 | 1 | 1 | 1 | 1 | |
| 7 | 89-3511-012100 | 1 | 1 | 1 | 1 | 1 | 1 | |
| 8 | 89-5131-081404 | 2 | 2 | 2 | 2 | 2 | 2 | |
| 9 | 89-3511-015150 | 2 | 2 | 2 | 2 | 2 | 2 | |
| 10 | 89-3511-016150 | 1 | 1 | 1 | 1 | 1 | 1 | |
| 11 | 89-5121-152507 | 2 | 2 | 2 | 2 | 2 | 2 | |
| 12 | 83-1020-349-00 | 1 | 1 | 1 | 1 | 1 | 1 | |
| 13 | 89-1254-100143 | 1 | 1 | 1 | 1 | 1 | 1 | |
| 14 | 80-1020-198-10 | 1 | 1 | 1 | 1 | 1 | 1 | |
| 20 | 89-1144-060223 | 6 | 6 | 6 | 6 | 6 | 6 | |
| 21 | 80-1020-515-00 | 2 | 2 | 2 | 2 | 2 | 2 | |
| | 80-1020-522-10 | 1 | 1 | 1 | 1 | 1 | 1 | FC150V |
| | 80-1020-525-00 | 1 | 1 | 1 | 1 | 1 | 1 | GXV120 |
| | 80-1020-526-00 | 1 | 1 | 1 | 1 | 1 | 1 | GXV160 |

Fig. 2 Gear Case (Inside, Outside)

| Ref. | Parts No. | Quantity | | | | | |
|------|----------------|----------|---|---|---|---|---|
| | | C | D | C | D | C | D |
| 1 | 83-1020-351-00 | 2 | 2 | 2 | 2 | 2 | 2 |
| 2,4 | 80-1020-115-10 | 1 | 1 | 1 | 1 | 1 | 1 |
| 2 | 80-1020-116-10 | 1 | 1 | 1 | 1 | 1 | 1 |
| 3 | 83-1020-355-00 | 1 | 1 | 1 | 1 | 1 | 1 |
| 4 | 80-1020-117-10 | 1 | 1 | 1 | 1 | 1 | 1 |
| 5 | 80-1020-119-10 | 1 | 1 | 1 | 1 | 1 | 1 |
| 6 | 80-1020-118-20 | 1 | 1 | 1 | 1 | 1 | 1 |
| 7 | 83-1020-363-00 | 2 | 2 | 2 | 2 | 2 | 2 |
| 8~9 | 80-1020-125-10 | 1 | 1 | 1 | 1 | 1 | 1 |
| 8 | 80-1020-123-10 | 1 | 1 | 1 | 1 | 1 | 1 |
| 9 | 80-1020-121-10 | 1 | 1 | 1 | 1 | 1 | 1 |
| 10 | 80-1020-161-00 | 1 | 1 | 1 | 1 | 1 | 1 |
| 11 | 80-1020-108-00 | 1 | 1 | 1 | 1 | 1 | 1 |
| 12 | 83-1020-107-00 | 1 | 1 | 1 | 1 | 1 | 1 |
| 13 | 83-1020-361-00 | 2 | 2 | 2 | 2 | 2 | 2 |
| 14 | 80-1020-148-30 | 1 | 1 | 1 | 1 | 1 | 1 |
| 15 | 80-1020-146-00 | 1 | 1 | 1 | 1 | 1 | 1 |
| 16 | 83-1020-157-00 | 1 | 1 | 1 | 1 | 1 | 1 |
| 17 | 80-1020-113-00 | 1 | 1 | 1 | 1 | 1 | 1 |
| 18 | 80-1020-153-10 | 1 | 1 | 1 | 1 | 1 | 1 |
| 19 | 89-1113-060123 | 1 | 1 | 1 | 1 | 1 | 1 |
| 20 | 80-1020-106-00 | 1 | 1 | 1 | 1 | 1 | 1 |
| 21 | 80-1020-193-10 | 1 | 1 | 1 | 1 | 1 | 1 |
| 22 | 89-1144-060253 | 1 | 1 | 1 | 1 | 1 | 1 |
| 23 | 83-1020-198-00 | 1 | 1 | 1 | 1 | 1 | 1 |
| 24 | 89-2142-050250 | 2 | 2 | 2 | 2 | 2 | 2 |

Fig. 3 Safety Cover

| Ref. | Parts No. | Quantity | | | | | |
|------|----------------|----------|---|---|---|---|---|
| | | C | D | C | D | C | D |
| 1 | 80-1010-731-00 | 1 | 1 | | | | |
| | 80-1022-731-00 | | | 1 | 1 | 1 | 1 |
| 2 | 80-1010-714-00 | 1 | 1 | | | | |
| | 80-1022-714-00 | | | 1 | 1 | 1 | 1 |
| 3 | 83-1020-143-00 | 3 | 3 | | | | |
| | 83-1020-148-00 | | | 3 | 3 | 3 | 3 |
| 4 | 80-1010-741-00 | 2 | 2 | | | | |
| 5 | 89-1133-060163 | 4 | 4 | | | | |
| 6 | 89-1511-060043 | 4 | 4 | | | | |
| 7 | 80-1022-748-00 | | | 1 | 1 | 1 | 1 |
| 8 | 80-1022-747-00 | | | 1 | 1 | | |
| 9 | 89-1113-060143 | | | 4 | 4 | 2 | 2 |
| 10 | 89-1541-060003 | | | 4 | 4 | 2 | 2 |
| 11 | 80-1022-745-00 | | | 2 | 2 | | |
| 12 | 89-1113-060143 | | | 4 | 4 | | |
| 13 | 89-1541-060003 | | | 4 | 4 | | |
| 14 | 80-1020-207-10 | 1 | 1 | 1 | 1 | 1 | 1 |
| 15 | 80-1020-753-00 | 1 | 1 | 1 | 1 | 1 | 1 |
| 16 | 80-1022-751-00 | 1 | 1 | 1 | 1 | 1 | 1 |
| 17 | 80-1020-705-30 | 1 | 1 | 1 | 1 | 1 | 1 |
| 18 | 89-1132-080253 | 2 | 2 | 2 | 2 | 2 | 2 |
| 19 | 89-1511-080043 | 2 | 2 | 2 | 2 | 2 | 2 |
| 20 | 80-1020-707-20 | 1 | 1 | 1 | 1 | 1 | 1 |
| 21 | 89-2131-080002 | 1 | 1 | 1 | 1 | 1 | 1 |
| 22 | 80-1020-733-00 | 1 | 1 | | | | |
| | 80-1022-733-00 | | | 1 | 1 | 1 | 1 |
| | 80-1022-734-00 | | | 1 | 1 | 1 | 1 |
| 23 | 80-1020-735-00 | 1 | 1 | | | | |
| 24 | 80-1020-736-00 | 1 | 1 | | | | |

Fig. 3 Safety Cover

| Ref. | Parts No. | Quantity | | | | | | Remarks |
|------|----------------|----------|---|-----|---|-----|---|---------------|
| | | 481 | | 531 | | 532 | | |
| | | C | D | C | D | C | D | |
| 25 | 89-1162-050163 | 2 | 2 | | | | | |
| 26 | 80-1024-952-00 | | | | | 1 | 1 | |
| 27 | 83-1515-148-00 | | | | | 1 | 1 | |
| 28 | 89-1133-100503 | 3 | 3 | 3 | 3 | 3 | 3 | FC150V |
| 29-1 | 83-1020-116-00 | 2 | 2 | 2 | 2 | 2 | 2 | GXV120-GXV160 |
| 29-2 | 83-1022-116-00 | | | 1 | 1 | 1 | 1 | GXV160 *1 |
| 30 | 89-1750-080003 | 2 | 2 | 2 | 2 | 2 | 2 | GXV120-GXV160 |
| 31 | 80-1010-789-00 | 1 | 1 | 1 | 1 | 1 | 1 | GXV120-GXV160 |
| 32 | 89-1750-100003 | 1 | 1 | 1 | 1 | 1 | 1 | GXV120-GXV160 |
| 33 | 89-1711-100003 | 1 | 1 | 1 | 1 | 1 | 1 | GXV120-GXV160 |
| 34 | 80-1020-721-00 | 1 | 1 | 1 | 1 | 1 | 1 | GXV120-GXV160 |
| 35 | 83-1020-148-00 | 2 | 2 | 2 | 2 | 2 | 2 | GXV120-GXV160 |
| 36 | 83-1310-191-00 | 1 | 1 | 1 | 1 | 1 | 1 | GXV120-GXV160 |
| 37 | 80-1020-902-00 | 1 | 1 | 1 | 1 | 1 | 1 | |
| 38 | 80-1020-926-00 | 2 | 2 | | | | | |
| | 80-1020-927-00 | | | 2 | 2 | 2 | 2 | |
| 39 | 80-1020-907-00 | 1 | 1 | 1 | 1 | 1 | 1 | |
| 40 | 80-1020-928-00 | 1 | 1 | 1 | 1 | 1 | 1 | |
| 41 | 80-1022-909-00 | 1 | 1 | 1 | 1 | 1 | 1 | |
| 42 | 80-1020-929-00 | 1 | 1 | 1 | 1 | 1 | 1 | |

Fig. 4 Front Wheel - Rear Wheel (GR481-531)

| Ref. | Parts No. | Quantity | | | | | | Remarks |
|-------|----------------|----------|---|---|---|---|---|----------------|
| | | C | D | C | D | C | D | |
| 1 | 80-1021-404-10 | 1 | 1 | 1 | 1 | | | |
| 2 | 80-1021-405-10 | 1 | 1 | 1 | 1 | | | |
| 3 | 80-1020-424-10 | 2 | 2 | | | | | |
| | 80-1022-424-00 | | | 2 | 2 | | | |
| 4 | 80-1020-426-10 | 2 | 2 | 2 | 2 | | | |
| 5 | 80-1020-406-10 | 2 | 2 | 2 | 2 | | | |
| 6 | 83-1020-395-00 | | | | | | | for Adjustment |
| 7 | 89-1551-080003 | 2 | 2 | 2 | 2 | | | |
| 8 | 83-1022-369-00 | 2 | 2 | 2 | 2 | | | |
| 9~10 | 80-1022-421-00 | 2 | 2 | 2 | 2 | | | |
| 9 | 80-1022-407-00 | 2 | 2 | 2 | 2 | | | |
| 10 | 80-1022-431-00 | 4 | 4 | 4 | 4 | | | |
| 11 | 89-1713-080003 | 2 | 2 | 2 | 2 | | | |
| 12 | 89-1541-080003 | 2 | 2 | 2 | 2 | | | |
| 13 | 80-1022-441-00 | 2 | 2 | 2 | 2 | | | |
| 15 | 80-1020-414-20 | 1 | 1 | | | | | |
| | 80-1022-414-00 | | | 1 | 1 | | | |
| 16 | 80-1020-415-20 | 1 | 1 | | | | | |
| | 80-1022-415-00 | | | 1 | 1 | | | |
| 17 | 80-1022-425-00 | 2 | 2 | 2 | 2 | | | |
| 18 | 80-1020-426-10 | 2 | 2 | 2 | 2 | | | |
| 19 | 80-1020-406-10 | 2 | 2 | 2 | 2 | | | |
| 20 | 89-1551-080003 | 2 | 2 | 2 | 2 | | | |
| 21 | 83-1020-987-00 | 2 | 2 | 2 | 2 | | | |
| 22 | 80-1020-433-00 | 2 | 2 | 2 | 2 | | | |
| 23 | 80-1020-458-00 | 1 | 1 | 1 | 1 | | | |
| 24 | 80-1020-459-00 | 1 | 1 | 1 | 1 | | | |
| 25~27 | 80-1022-422-00 | 2 | 2 | 2 | 2 | | | |
| 25 | 80-1022-408-00 | 2 | 2 | 2 | 2 | | | |
| 26 | 80-1020-409-00 | 2 | 2 | 2 | 2 | | | |
| 27 | 80-1022-432-00 | 2 | 2 | 2 | 2 | | | |
| 28 | 89-1713-080003 | 2 | 2 | 2 | 2 | | | |
| 29 | 89-1132-080203 | 2 | 2 | 2 | 2 | | | |
| 30 | 80-1022-441-00 | 2 | 2 | 2 | 2 | | | |

Steel wheel

| Ref. | Parts No. | Quantity | | | | | | Remarks |
|-------|----------------|----------|---|---|---|---|---|-----------------|
| | | C | D | C | D | C | D | |
| 1~2 | 80-1020-481-00 | | | 2 | 2 | | | |
| 1 | 80-1020-483-00 | | | 2 | 2 | | | |
| 2 | 89-3115-062024 | | | 4 | 4 | | | |
| 3 | 80-1020-404-10 | | | 1 | 1 | | | |
| 4 | 80-1020-405-10 | | | 1 | 1 | | | |
| 10 | 83-1415-344-00 | | | 2 | 2 | | | |
| 11 | 89-1132-080203 | | | 2 | 2 | | | |
| 13 | 83-1020-361-00 | | | 2 | 2 | | | |
| 21~38 | 80-1020-482-00 | | | 2 | 2 | | | Ref. 21, 37, 38 |
| 21 | 80-1020-484-00 | | | 2 | 2 | | | |
| 37 | 89-3115-062024 | | | 4 | 4 | | | |
| 38 | 80-1020-486-00 | | | 2 | 2 | | | |

Fig. 4 Front Wheel - Rear Wheel (GR532)

| Ref. | Parts No. | Quantity | | | | | |
|------|----------------|----------|---|---|---|---|---|
| | | C | D | C | D | C | D |
| 1 | 80-1023-405-00 | | | | | 1 | 1 |
| 2 | 80-1023-742-00 | | | | | 4 | 4 |
| 3 | 83-1020-148-00 | | | | | 4 | 4 |
| 4 | 83-1022-369-00 | | | | | 2 | 2 |
| 5~6 | 80-1022-421-00 | | | | | 2 | 2 |
| 5 | 80-1022-407-00 | | | | | 2 | 2 |

Fig. 4 Front Wheel - Rear Wheel (GR532)

| Ref. | Parts No. | Quantity | | | | | | Remarks |
|-------|----------------|----------|---|-----|---|-----|---|---------|
| | | 481 | | 531 | | 532 | | |
| | | C | D | C | D | C | D | |
| 6 | 80-1022-431-00 | | | | | 4 | 4 | |
| 7 | 89-1713-080003 | | | | | 2 | 2 | |
| 8 | 89-1541-080003 | | | | | 2 | 2 | |
| 9 | 80-1022-441-00 | | | | | 2 | 2 | |
| 10 | 80-1023-415-00 | | | | | 1 | 1 | |
| 11 | 80-1022-425-00 | | | | | 1 | 1 | |
| 12 | 80-1020-426-10 | | | | | 1 | 1 | |
| 13 | 80-1020-406-10 | | | | | 2 | 2 | |
| 14 | 89-1551-080003 | | | | | 2 | 2 | |
| 15 | 83-1020-987-00 | | | | | 2 | 2 | |
| 16 | 80-1020-433-00 | | | | | 2 | 2 | |
| 17 | 80-1020-458-00 | | | | | 1 | 1 | |
| 18 | 80-1020-459-00 | | | | | 1 | 1 | |
| 19~21 | 80-1022-422-00 | | | | | 2 | 2 | |
| 19 | 80-1022-408-00 | | | | | 2 | 2 | |
| 20 | 80-1020-409-00 | | | | | 2 | 2 | |
| 21 | 80-1022-432-00 | | | | | 2 | 2 | |
| 22 | 89-1713-080003 | | | | | 2 | 2 | |
| 23 | 89-1132-080203 | | | | | 2 | 2 | |
| 24 | 80-1022-441-00 | | | | | 2 | 2 | |
| 25 | 80-1023-416-00 | | | | | 1 | 1 | |
| 26 | 89-1713-100003 | | | | | 2 | 2 | |
| 27 | 89-2521-000083 | | | | | 2 | 2 | |
| 28 | 80-1023-417-00 | | | | | 1 | 1 | |

Fig. 5 Handle

| | | | | | | | | |
|----|----------------|---|---|---|---|---|---|---------------|
| 1 | 80-1022-201-00 | 2 | 2 | 2 | 2 | 2 | 2 | |
| 2 | 89-1113-080253 | 2 | 2 | 2 | 2 | 2 | 2 | |
| 3 | 89-1711-080003 | 4 | 4 | 4 | 4 | 4 | 4 | |
| 4 | 89-1750-080003 | 4 | 4 | 4 | 4 | 4 | 4 | |
| 5 | 89-1571-080043 | 4 | 4 | 4 | 4 | 4 | 4 | |
| 6 | 80-1022-211-00 | | 1 | | 1 | | 1 | |
| | 80-1022-224-00 | 1 | | 1 | | 1 | | |
| 7 | 89-1412-080403 | 2 | 2 | 2 | 2 | 2 | 2 | |
| 8 | 89-1711-080003 | 2 | 2 | 2 | 2 | 2 | 2 | |
| 9 | 80-1020-228-10 | 2 | 2 | 2 | 2 | 2 | 2 | |
| 10 | 80-1020-261-00 | 1 | 1 | 1 | 1 | 1 | 1 | FC150V |
| | 80-1020-265-00 | 1 | 1 | 1 | 1 | 1 | 1 | GXV120-GXV160 |
| 11 | 80-1020-264-00 | 1 | 1 | 1 | 1 | 1 | 1 | |
| 12 | 80-1020-263-00 | 1 | 1 | 1 | 1 | 1 | 1 | |
| 13 | 89-1711-120003 | 1 | 1 | 1 | 1 | 1 | 1 | |
| 14 | 80-1020-262-00 | 1 | 1 | 1 | 1 | 1 | 1 | |
| 15 | 80-1020-260-00 | 1 | 1 | 1 | 1 | 1 | 1 | |
| 16 | 80-1020-270-00 | 1 | 1 | 1 | 1 | 1 | 1 | |
| 17 | 89-1133-080303 | 1 | 1 | 1 | 1 | 1 | 1 | |
| 18 | 80-1020-231-00 | 1 | 1 | 1 | 1 | 1 | 1 | |
| 19 | 89-1161-050123 | 2 | 2 | 2 | 2 | 2 | 2 | |
| 20 | 80-1022-242-00 | 1 | 1 | 1 | 1 | 1 | 1 | |
| 21 | 80-1020-243-00 | 4 | 4 | 4 | 4 | 4 | 4 | |
| 22 | 80-1022-252-00 | 2 | 2 | 2 | 2 | 2 | 2 | |
| 23 | 83-1024-952-00 | 1 | 1 | 1 | 1 | 1 | 1 | FC150V |
| | 83-1022-955-10 | 1 | 1 | 1 | 1 | 1 | 1 | GXV120-GXV160 |
| 24 | 83-1024-945-00 | 1 | 1 | 1 | 1 | 1 | 1 | |
| | 83-1022-958-00 | 1 | 1 | 1 | 1 | 1 | 1 | FC150V |
| 25 | 80-1021-968-10 | 1 | 1 | 1 | 1 | 1 | 1 | |
| 26 | 80-1010-717-00 | | 1 | | 1 | | 1 | |
| 27 | 89-2181-060162 | | 1 | | 1 | | 1 | |
| 28 | 89-1711-060002 | | 1 | | 1 | | 1 | |
| 29 | 89-2120-200152 | | 1 | | 1 | | 1 | |
| 30 | 83-1024-932-00 | 1 | 1 | 1 | 1 | 1 | 1 | |
| 31 | 80-1022-966-10 | 1 | 1 | 1 | 1 | 1 | 1 | |
| 32 | 83-1024-936-00 | 1 | 1 | 1 | 1 | 1 | 1 | |
| 33 | 80-1020-969-00 | 1 | 1 | 1 | 1 | 1 | 1 | |
| 34 | 80-1020-967-00 | 1 | 1 | 1 | 1 | 1 | 1 | |
| 35 | 83-1415-718-00 | 2 | 2 | 2 | 2 | 2 | 2 | |
| 36 | 80-1020-911-00 | 1 | 1 | 1 | 1 | 1 | 1 | FC150V |
| | 80-1020-913-00 | 1 | 1 | 1 | 1 | 1 | 1 | GXV120-GXV160 |
| 37 | 80-1020-912-00 | 1 | 1 | 1 | 1 | 1 | 1 | |
| 38 | 80-1020-903-00 | 1 | 1 | 1 | 1 | 1 | 1 | |
| 39 | 89-1113-080303 | 1 | 1 | 1 | 1 | 1 | 1 | |
| 40 | 89-1511-080043 | 1 | 1 | 1 | 1 | 1 | 1 | |
| 41 | 80-1113-080503 | 1 | 1 | 1 | 1 | 1 | 1 | |
| 42 | 89-1713-080003 | 2 | 2 | 2 | 2 | 2 | 2 | |
| 43 | 80-1022-254-00 | 1 | 1 | 1 | 1 | 1 | 1 | |
| 44 | 89-1750-080003 | 1 | 1 | 1 | 1 | 1 | 1 | |
| 45 | 80-1571-080043 | 1 | 1 | 1 | 1 | 1 | 1 | |
| 46 | 80-1021-252-00 | 1 | 1 | 1 | 1 | 1 | 1 | |

Fig. 5 Handle

| Ref. | Parts No. | Quantity | | | | | | Remarks |
|------|----------------|----------|---|-----|---|-----|---|-----------------|
| | | 481 | | 531 | | 532 | | |
| | | C | D | C | D | C | D | |
| 47 | 83-1020-395-00 | 2 | 2 | 2 | 2 | 2 | 2 | |
| 48 | 80-1021-253-00 | 1 | 1 | 1 | 1 | 1 | 1 | with Bush 08.07 |
| 49 | 83-1021-195-00 | 1 | 1 | 1 | 1 | 1 | 1 | |

Fig. 6 Blade and Bag

| | | | | | | | | | |
|----|----------------|---|---|---|---|---|---|---|---------------|
| 1 | 80-1020-944-00 | | | | | | | 1 | FC150V, Note1 |
| 2 | 80-1020-943-00 | | | | | | | 1 | FC150V, Note1 |
| 3 | 80-1020-892-00 | | | | | | | 1 | FC150V |
| 4 | 83-1610-321-00 | | | | | | | 1 | FC150V, Note1 |
| 5 | 89-1750-100003 | | | | | | | 1 | FC150V |
| 6 | 83-1020-118-00 | | | | | | | 1 | FC150V |
| 7 | 80-1020-971-00 | | 2 | | 2 | | | 2 | GXV120-GXV160 |
| 8 | 80-1020-972-00 | | 2 | | 2 | | | 2 | GXV120-GXV160 |
| 9 | 83-1020-148-00 | | 2 | | 2 | | | 2 | GXV120-GXV160 |
| 10 | 80-1020-874-00 | | 1 | | 1 | | | 1 | GXV120-GXV160 |
| 11 | 80-1020-875-00 | | 1 | | 1 | | | 1 | GXV120-GXV160 |
| 12 | 80-1020-876-00 | | 1 | | 1 | | | 1 | GXV120-GXV160 |
| 13 | 80-1020-877-00 | | 1 | | 1 | | | 1 | GXV120-GXV160 |
| 14 | 80-1020-878-00 | | 1 | | 1 | | | 1 | GXV120-GXV160 |
| 15 | 80-1020-879-00 | | 3 | | 3 | | | 3 | GXV120-GXV160 |
| 16 | 80-1020-881-00 | | 3 | | 3 | | | 3 | GXV120-GXV160 |
| 17 | 80-1020-882-00 | | 3 | | 3 | | | 3 | GXV120-GXV160 |
| 18 | 80-1020-892-00 | | 1 | | 1 | | | 1 | GXV120-GXV160 |
| 19 | 80-1020-883-00 | | 1 | | 1 | | | 1 | GXV120-GXV160 |
| 20 | 80-1020-884-00 | | 1 | | 1 | | | 1 | GXV120-GXV160 |
| 21 | 80-1020-885-00 | | 2 | | 2 | | | 2 | GXV120-GXV160 |
| 22 | 80-1020-886-00 | | 1 | | 1 | | | 1 | GXV120-GXV160 |
| 23 | 80-1020-887-00 | | 1 | | 1 | | | 1 | GXV120-GXV160 |
| 24 | 80-1020-888-00 | | 1 | | 1 | | | 1 | GXV120-GXV160 |
| 25 | 83-1020-323-00 | | 1 | | 1 | | | 1 | GXV120-GXV160 |
| 26 | 89-1254-100252 | | 1 | | 1 | | | 1 | GXV120-GXV160 |
| 27 | 80-1022-843-00 | | 1 | | 1 | | | 1 | GXV120-GXV160 |
| 28 | 80-1020-808-00 | | | 1 | | | 1 | | FC150V |
| | 80-1020-816-00 | | | 1 | | | 1 | | GXV120-GXV160 |
| 29 | 80-1020-892-00 | | 1 | | 1 | | | 1 | FC150V |
| 30 | 80-1020-833-00 | | | 1 | | | 1 | | FC150V |
| | 80-1020-837-00 | | | 1 | | | 1 | | GXV120-GXV160 |
| 31 | 89-1852-280001 | | | 1 | | | 1 | | FC150V |
| 32 | 80-1020-807-10 | | | 1 | | | 1 | | FC150V |
| 33 | 89-2151-040150 | | | 1 | | | 1 | | GXV120-GXV160 |
| | 89-2151-040090 | | | 1 | | | 1 | | FC150V |
| 34 | 80-1020-835-00 | | | 1 | | | 1 | | GXV120-GXV160 |
| | 80-1020-836-00 | | | 1 | | | 1 | | FC150V |
| 35 | 89-1750-100003 | | | 1 | | | 1 | | GXV120-GXV160 |
| 36 | 83-1020-115-00 | | | 1 | | | 1 | | FC150V |
| | 89-1254-100402 | | | 1 | | | 1 | | GXV120-GXV160 |
| 37 | 80-1022-845-00 | | 1 | | 1 | | 1 | | FC150V, Note1 |
| | 80-1022-845-00 | | | 1 | | | 1 | | GXV120-GXV160 |
| 38 | 80-1010-821-10 | | 1 | | | | | | |
| 38 | 80-1020-821-10 | | | 1 | | 1 | 1 | 1 | |
| 39 | 89-1711-100003 | 2 | 2 | 2 | 2 | 2 | 2 | 2 | FC150V |
| | 89-1711-100003 | 2 | 2 | 2 | 2 | 2 | 2 | 2 | GXV120-GXV160 |
| 40 | 89-1750-100003 | 2 | 2 | 2 | 2 | 2 | 2 | 2 | FC150V |
| | 89-1750-100003 | 2 | 2 | 2 | 2 | 2 | 2 | 2 | GXV120-GXV160 |
| 41 | 89-1113-100253 | | 2 | | 2 | | | 2 | FC150V, Note1 |
| | 89-1113-100303 | | 2 | | 2 | | | 2 | FC150V, Note2 |
| | 89-1113-100253 | 2 | | 2 | | | 2 | | |
| | 89-1254-100252 | | 2 | | 2 | | | 2 | GXV120-GXV160 |
| 42 | 80-1020-892-00 | | 1 | | 1 | | | 1 | FC150V, Note2 |
| 43 | 80-1020-943-10 | | 1 | | 1 | | | 1 | FC150V, Note2 |
| 44 | 80-1020-958-00 | | 4 | | 4 | | | 4 | FC150V, Note2 |
| 45 | 80-1020-959-00 | | 4 | | 4 | | | 4 | FC150V, Note2 |
| 46 | 80-1020-719-00 | | 1 | | 1 | | | 1 | FC150V, Note2 |
| 47 | 80-1020-965-00 | | 1 | | 1 | | | 1 | FC150V |
| 48 | 80-1020-945-10 | | 1 | | 1 | | | 1 | FC150V, Note2 |
| 49 | 89-1750-100003 | | 1 | | 1 | | | 1 | FC150V |
| 50 | 83-1020-119-00 | | 1 | | 1 | | | 1 | FC150V |
| 51 | 80-1022-843-00 | | 1 | | 1 | | | 1 | FC150V, Note2 |
| 52 | 80-1022-851-00 | | 1 | | 1 | | 1 | 1 | |
| 53 | 80-1022-854-00 | | 1 | | 1 | | 1 | 1 | |
| 54 | 80-1020-854-00 | | 1 | | 1 | | 1 | 1 | |
| 55 | 80-1022-853-00 | | 1 | | 1 | | 1 | 1 | |

* 1 GR532, 531 No. VH01M00393~

Note1 GR532D No. ~VE96F00031

Note2 GR532D No. VE97A00032~