

# Parts catalogue

# BUSH CUTTER

## (EXPORT MODEL)

SH61.71  
SH61H, SH71H

MODEL	CODE
SH61.SH61H	0257-
SH71.SH71H	0258-

### CONTENTS

Fig. 1 HANDLE .....	1
Fig. 2 FRAME .....	5
Fig. 3 ENGINE PARTS .....	7
Fig. 4 FRONT WHEEL .....	7
Fig. 5 TRANSMISSION OUTSIDE .....	9
Fig. 6 TRANSMISSION .....	11
Fig. 7 KNIFE COVER .....	15
Fig. 8 REAR WHEEL.....	19

## OREC CO.,LTD

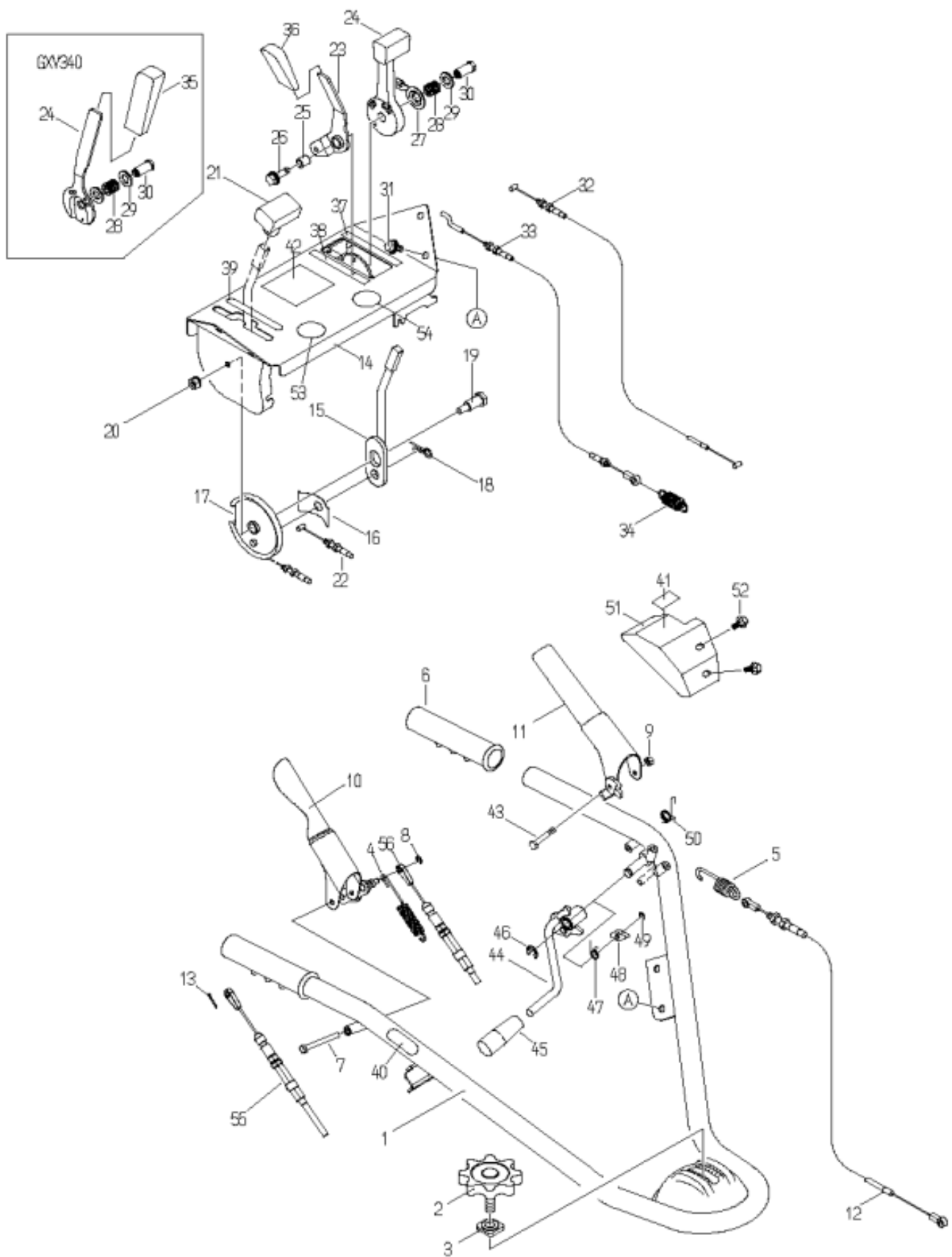
*Update : March 2012*



**FIG. 1 Handle**

Ref.	Parts No.	Parts Name	Quantity					Remarks
			SH61	SH61H	SH71H			
			KCO	KCO	KCO	OBH	OBH11W	
			FJ180V			GXV340		
1	0257-10110	Handle	1	1	1	1	1	
2	80-1516-108-00	Knob Bolt M12*30	1	1	1	1	1	
3	0013-10300	Handle Fixing Washer	1	1	1	1	1	
4	0211-20600	Brake Spring	1	1	1	1	1	
5	80-1417-966-00	Clutch Spring	1	1	1	1	1	
6	83-1560-414-00	Handle Grip 27	2	2	2	2	2	
7	89-1113-060552	Hexagonal Bolt (8T) M6*55	1	1	1	1	1	
8	89-2521-000050	E Type Ring 5	4	4	4	4	4	
9	89-1551-060002	Hexagonal U Nut M6	2	2	2	2	2	
10	0220-10200	Driving Clutch Lever	1	1	1	1	1	
11	80-1417-251-20	Blade Clutch Lever CMP	1	1	1	1	1	
12	0220-70210	Knife Clutch Wire	1	1	1	1	1	
13	89-2120-200152	Split Pin 2*15	1	1	1	1	1	
14	80-1417-223-00	Control Panel CMP	1	1	1	1	1	
15	80-1417-263-00	Change Lever	1	1	1	1	1	
16	80-1310-268-00	Non Flap Spring	1	1	1	1	1	
17	80-1417-266-10	Wire Guide B	1	1	1	1	1	
18	89-2131-120002	Snap Pin 12	1	1	1	1	1	
19	80-1210-267-00	Wire Guide Axle	1	1	1	1	1	
20	89-1543-080002	Mini Hexagonal Nut (SW) M8	1	1	1	1	1	
21	83-1417-435-00	Lever Grip (Red)	1	1	1	1	1	
22	0257-70400	Change Wire	2	2	2	2	2	
23	80-1484-273-10	Differential Lock Lever	1	1	1	1	1	
24	80-1020-261-00	Throttle Lever (K)	1	1	1			
	80-1437-261-00	Throttle Lever (GXV270)				1	1	
25	80-1020-270-00	Inner Collar	1	1	1	1	1	
26	89-1239-080302	Mini Hexagonal Bolt (PWSW) M8*30	1	1	1	1	1	
27	80-1020-264-00	Control Washer	1	1	1			
28	80-1020-263-00	Control Lever Shaft Spring	1	1	1	1	1	
29	89-1711-120003	Flat Washer 12	1	1	1	1	1	
30	80-1020-262-00	Control Lever Shaft	1	1	1	1	1	
31	89-1233-080162	Mini Hexagonal Bolt (PWSW) M8*16	4	4	4	4	4	
32	0257-70600	Throttle Wire (FJ180V)	1	1	1			
	83-1437-952-10	Throttle Wire (GXV270)				1	1	
33	0257-70200	Differential Lock Wire	1	1	1	1	1	
34	80-1417-155-00	Spring	1	1	1	1	1	
35	80-1484-262-00	Arm Grip (Red)				1	1	
36	80-1515-262-00	Arm Grip (Black)	1	1	1	1	1	
37	80-1020-911-10	Throttle Label (K)	1	1	1	1	1	
38	80-1417-906-10	Label, Differential Lock	1	1	1	1	1	
39	80-1417-911-10	Label (Change)	1	1	1	1	1	
40	80-1417-914-10	Label, Driving	1	1	1	1	1	
41	80-1417-918-10	Label, Cutting	1	1	1	1	1	
42	0257-71100	Label SH61H		1				
	0257-71300	Label SH61	1					
	0258-71100	Label SH71H			1	1	1	
43	89-1113-060552	Hexagonal Bolt (8T) M6*55	1	1	1	1	1	
44	0231-25200	Blade Tension Lever	1	1	1	1	1	
45	80-1417-255-00	Lever Grip (Red) 10	1	1	1	1	1	
46	89-2521-000100	E Type Ring 10	1	1	1	1	1	
47	80-1417-972-20	Spring for Stopper Return	1	1	1	1	1	

# Fig. 1 HANDLE

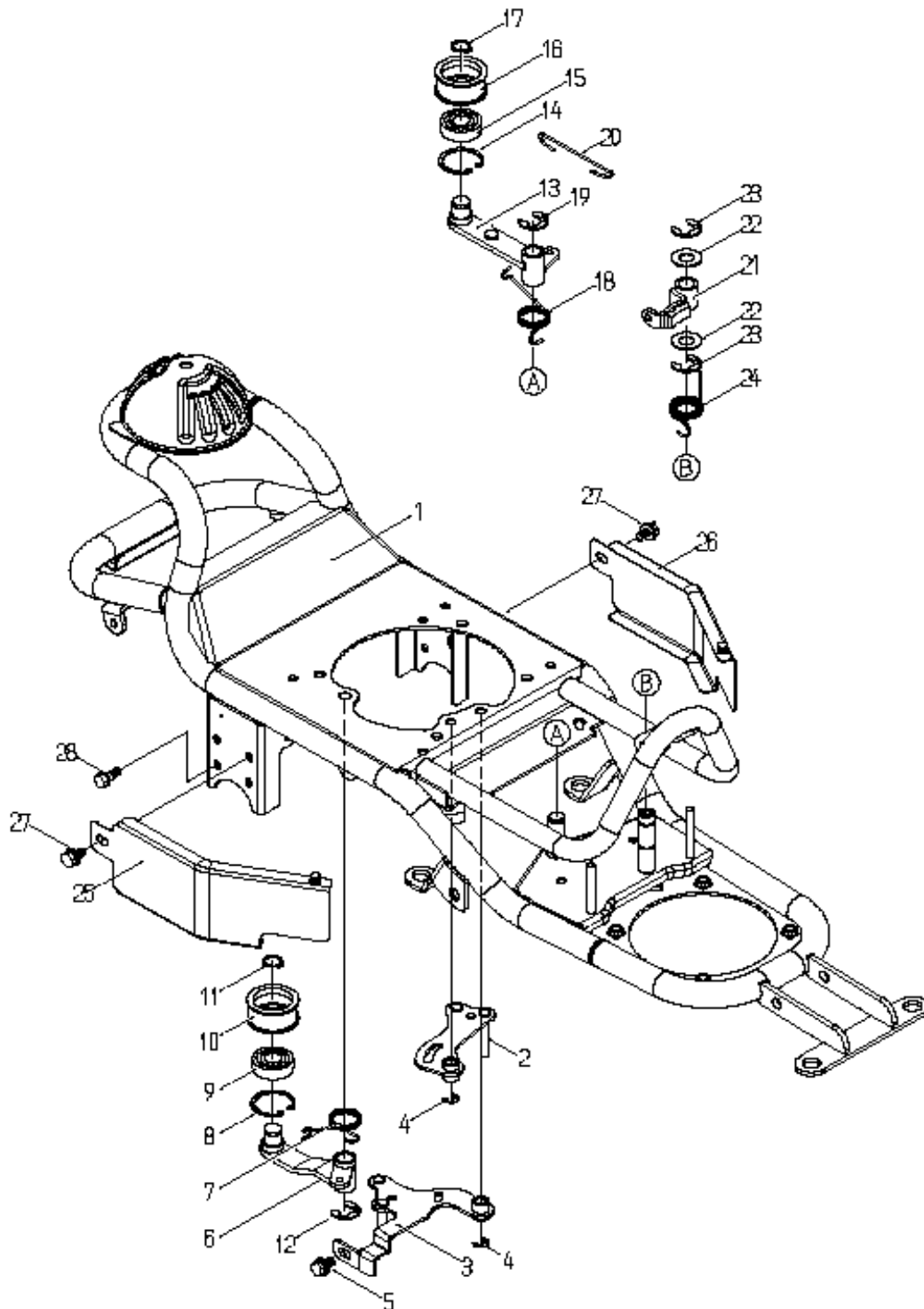


**FIG. 1 Handle**

Ref.	Parts No.	Parts Name	Quantity					Remarks
			SH61	SH61H	SH71H			
			KCO	KCO	KCO	OBH	OBH11W	
			FJ180V			GXV340		
48	80-1417-253-00	Stopper	1	1	1	1	1	
49	89-2521-000050	E Type Ring 5	1	1	1	1	1	
50	80-1417-973-10	Blade Clutch Lever Return Spring	1	1	1	1	1	
51	0220-10300	Upper Cover	1	1	1	1	1	
52	89-1137-060122	Hexagonal Bolt (PW) M6*12	1	1	1	1	1	
53	0215-83200	Label, Protection Equipment	1	1	1	1	1	
54	0223-72910	Attention Mark for Slope	1	1	1	1	1	
55	0220-70300	Brake Wire	1	1	1	1	1	
56	0220-70100	Driving Clutch Wire	1	1	1	1	1	



Fig. 2 FRAME



**FIG. 2 Frame**

Ref.	Parts No.	Parts Name	Quantity					Remarks
			SH61	SH61H	SH71H			
			KCO	KCO	KCO	OBH	OBH11W	
			FJ180V			GXV340		
1	0257-20100	Frame CMP	1	1	1	1	1	
2	0257-41300	Engine Belt Stopper A	1					
	0257-40300	Engine Belt Stopper A		1	1	1	1	
3	0257-41500	Engine Belt Stopper B	1					
	0257-40500	Engine Belt Stopper B		1	1	1	1	
4	89-2521-000080	E Type Ring 8	2	2	2	2	2	
5	89-1233-080162	Mini Hexagonal Bolt (PWSW) M8*16	1	1	1	1	1	
6	0231-54200	Tension Arm	1	1	1	1	1	
7	80-1417-552-00	Return Spring	1	1	1	1	1	
8	89-2512-000400	Snap Ring (R40)	1	1	1	1	1	
9	89-3115-062034	Bearing 6203 2RS	1	1	1	1	1	
10	83-1032-765-00	Tension Pulley	1	1	1	1	1	
11	89-2511-000170	Snap Ring (S17)	1	1	1	1	1	
12	89-2521-000150	E Type Ring 15	1	1	1	1	1	
13	0231-54600	Knife Tension Arm	1	1	1	1	1	
14	89-2512-000400	Snap Ring (R40)	1	1	1	1	1	
15	89-3115-062034	Bearing 6203 2RS	1	1	1	1	1	
16	83-1032-765-00	Tension Pulley	1	1	1	1	1	
17	89-2511-000170	Snap Ring (S17)	1	1	1	1	1	
18	80-1417-568-10	Return Spring	1	1	1	1	1	
19	89-2521-000150	E Type Ring 15	1	1	1	1	1	
20	0257-41100	Brake Rod	1	1	1	1	1	
21	0231-37100	Knife Brake	1	1	1	1	1	
22	83-1020-363-00	Thrust Washer 16*24*1.0	2	2	2	2	2	
23	89-2521-000150	E Type Ring 15	2	2	2	2	2	
24	80-1417-373-00	Return Spring	1	1	1	1	1	
25	0257-60100	Engine Pulley Cover (Right)	1	1	1	1	1	
26	0257-60300	Engine Pulley Cover (Left)	1	1	1	1	1	
27	89-1233-080162	Mini Hexagonal Bolt (PWSW) M8*16	2	2	2	2	2	
28	89-1235-080162	Mini Hexagonal Bolt (SW) M8*16	4	4	4	4	4	
29	89-1750-080002	Spring Washer 8	4	4	4	4	4	





**FIG. 3 Engine Parts (KAWASAKI FJ180V)**

Ref.	Parts No.	Parts Name	Quantity					Remarks
			SH61	SH61H	SH71H			
			KCO	KCO	KCO	OBH	OBH11W	
FJ180V			GXV340					
1-a	0257-40100	Engine Pulley		1	1			
1-b	80-1417-514-20	Engine Pulley	1					
2	80-1417-516-10	Pulley Collar (L12.5)	1	1	1			
3	89-2160-040160	Woodruff Key 4*16*6.5	1	1	1			
4	83-1610-321-00	Washer 10*36*4.5	1	1	1			
5	89-1750-100002	Spring Washer 10	1	1	1			
6	83-1020-118-00	Hexagonal Bolt 3/8-24*32UNF (K)	1	1	1			
7	89-1213-100222	Mini Hexagonal Bolt (8T) M10*22	4	4	4			
8	89-1750-100002	Spring Washer 10	4	4	4			
9	Engine Parts	Sticker for Engine	1	1	1			

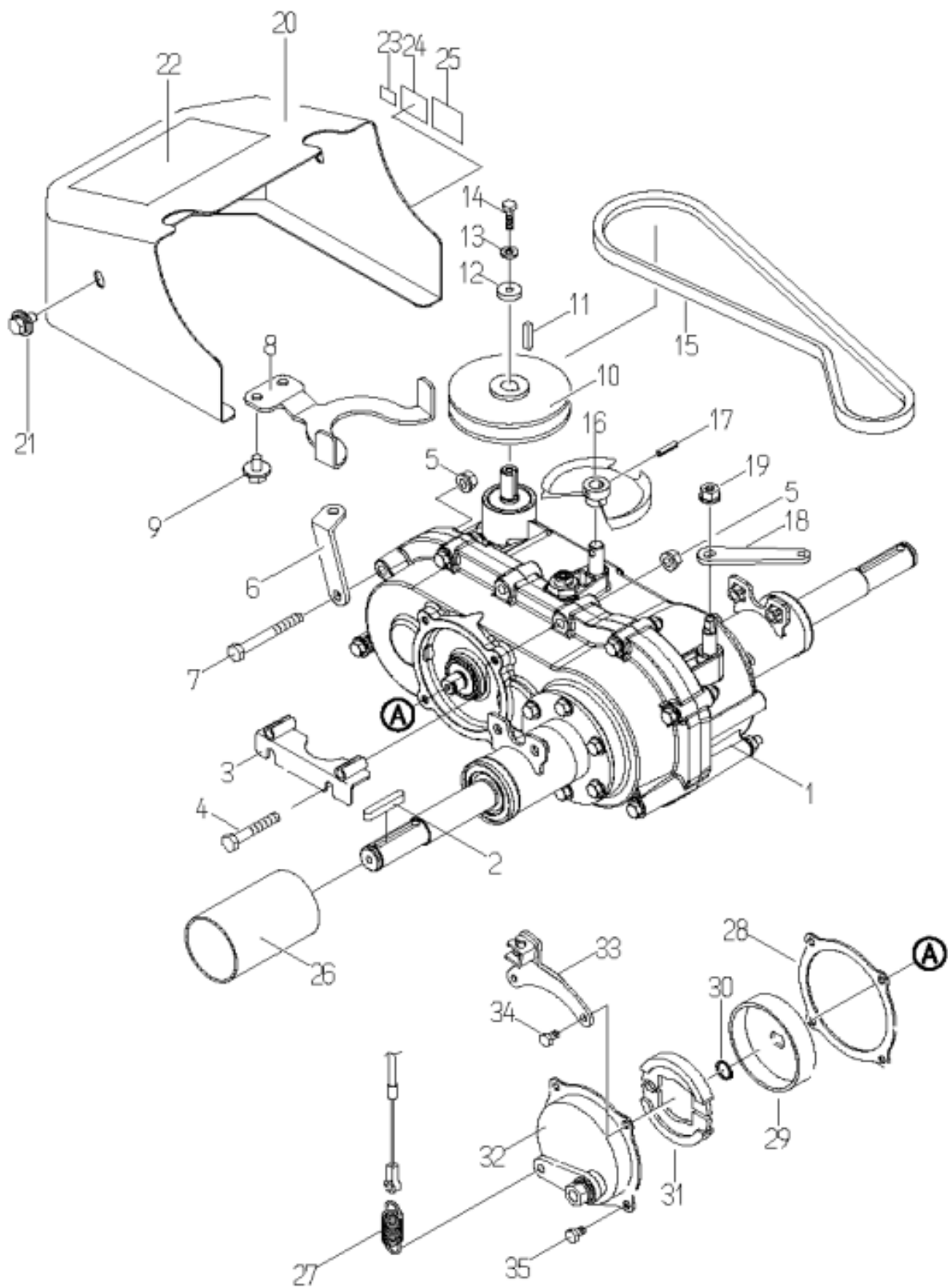
**FIG. 3 Engine Parts (HONDA GXV340)**

1	0258-40100	Engine Pulley				1	1
2	80-1437-516-10	Pulley Collar (L23)				1	1
3	83-1437-205-00	Key 1/4 inch *40				1	1
4	80-1330-515-10	Pulley Collar (L13)				1	1
5	83-1482-319-00	Washer 11*36*4.5				1	1
6	89-1750-120002	Spring Washer 12				1	1
7	83-1437-115-00	Hexagonal Bolt (8T) UNF7/16*35				1	1
8	83-1482-116-00	Hexagonal Bolt UNF5/16-24*25				2	2
9	89-1750-080002	Spring Washer 8				2	2
10	89-1113-080402	Hexagonal Bolt (8T) M8*40				2	2
11	89-1750-080002	Spring Washer 8				2	2
12	89-1511-080042	Hexagonal Nut M8				2	2
13	0214-72100	Label, Caution for Engine etc				1	1

**FIG. 4 Front Wheel**

1	0258-60410	Front Wheel Arm	1	1	1	1	1
2	0258-60510	Front Wheel Fork	1	1	1	1	1
3	89-3370-051105	Thrust Bearing 51105	1	1	1	1	1
4	83-1783-376-00	Thrust Washer 25*34*1.0	1	1	1	1	1
5	0256-60700	Dust Cover	1	1	1	1	1
6	89-1750-140002	Spring Washer 14	1	1	1	1	1
7	84-1783-791-00	Grease Nipple Bolt M14	1	1	1	1	1
8	83-1415-975-00	Grease Nipple M6	1	1	1	1	1
9	0258-70300	Front Wheel	1	1	1	1	1
10	89-1213-080802	Mini Hexagonal Bolt (8T) M8*80	1	1	1	1	1
11	89-1711-080002	Flat Washer 8	2	2	2	2	2
12	89-1561-080002	Mini Hexagonal U Nut M8	1	1	1	1	1
13	0258-70200	pipe pin 8	1	1	1	1	1
14	0231-74200	Receiver for Adjusting Bolt (R)	1	1	1	1	1
15	0212-74300	Cutting Height Adjustment Bolt	1	1	1	1	1
16	89-1511-160042	Hexagonal Nut M16	1	1	1	1	1
17	0212-74100	Receiver for Adjusting Bolt (L)	1	1	1	1	1
18	89-1111-120652	Hexagonal Bolt M12*65	2	2	2	2	2
19	89-1551-120002	Hexagonal U Nut M12	3	3	3	3	3
20	89-1111-120902	Hexagonal Bolt M12*90	1	1	1	1	1
21	0231-74300	Cutting Height Adjustment Collar	1	1	1	1	1

# Fig. 5 TRANSMISSION OUTSIDE

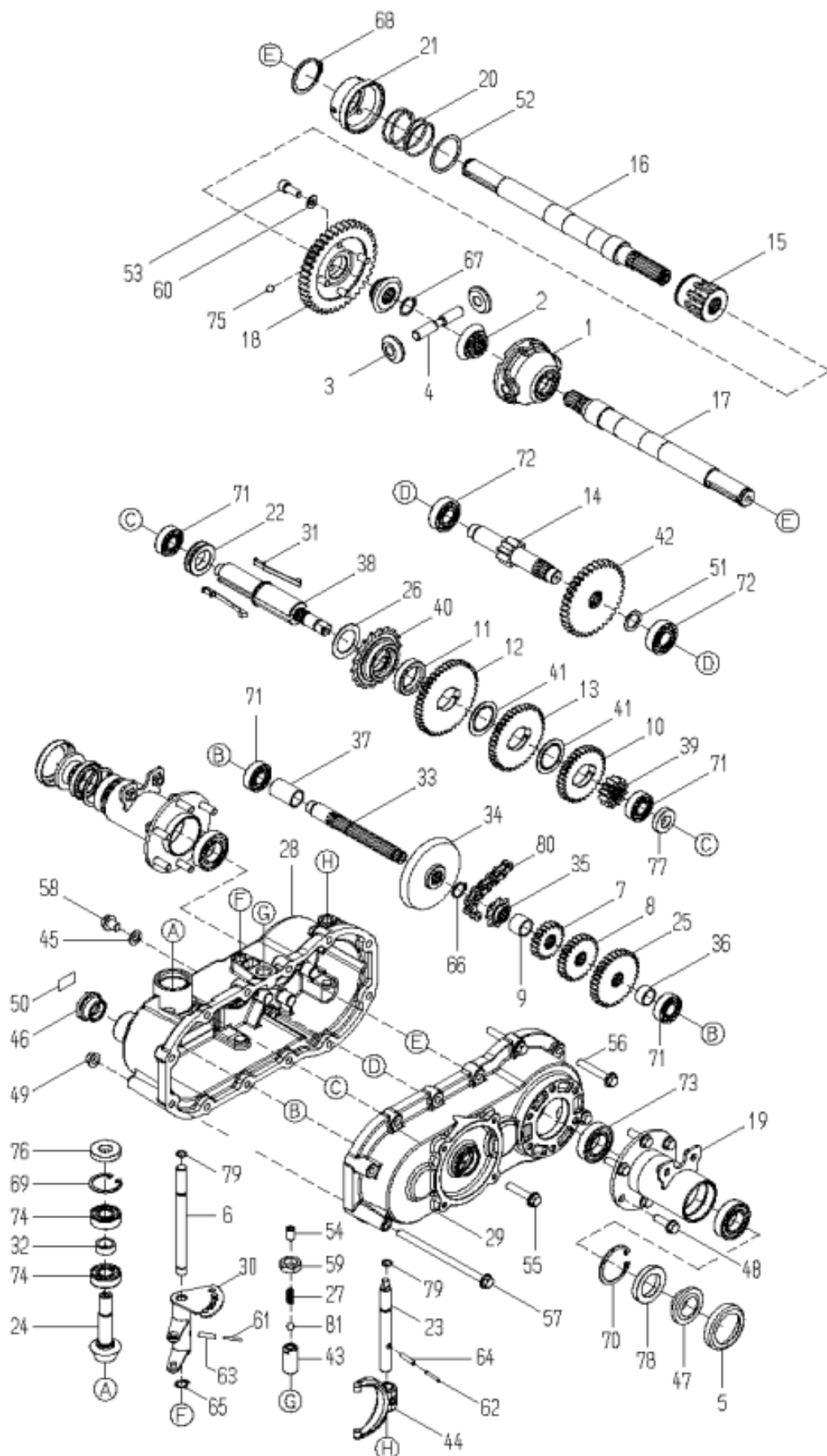


**FIG. 5 Transmission Outside**

Ref.	Parts No.	Parts Name	Quantity					Remarks
			SH61	SH61H	SH71H			
			KCO	KCO	KCO	OBH	OBH11W	
			FJ180V			GXV340		
1	80-1417-100-20	Transmission Case Assy	1	1	1	1	1	*1)
2	89-2150-070500	Key 7*50 (round)	2	2	2	2	2	
3	80-1417-195-00	Receiver for Change Wire	1	1	1	1	1	*1)
4	89-1251-080502	Flange Mini Hexagonal Bolt M8*50	2	2	2	2	2	*1)
5	83-1484-255-00	Lock Nut ZUF M8	12	12	12	12	12	
6	80-1417-198-00	Transmission Arm	1	1	1	1	1	
7	89-1251-080702	Flange Mini Hexagonal Bolt M8*70	1	1	1	1	1	
8	80-1417-527-10	Driving Belt Stopper	1	1	1	1	1	
9	89-1233-080162	Mini Hexagonal Bolt (PWSW) M8*16	3	3	3	3	3	
10	80-1417-521-10	Transmission Pulley	1	1	1	1	1	
11	89-2151-050250	Key 5*25 (half round)	1	1	1	1	1	
12	83-1482-311-00	Washer 6.5*22*3.2	1	1	1	1	1	
13	89-1750-060002	Spring Washer 6	1	1	1	1	1	
14	89-1113-060202	Hexagonal Bolt (8T) M6*20	1	1	1	1	1	
15	89-6122-003600	V Belt LA-36	1	1	1	1	1	
16	80-1417-191-00	Wire Guard A	1	1	1	1	1	
17	89-2111-050020	Spring Pin 5*20	1	1	1	1	1	
18	80-1417-153-00	Differential Lock Arm	1	1	1	1	1	
19	89-1543-080002	Mini Hexagonal Nut (SW) M8	1	1	1	1	1	
20	80-1417-504-10	Transmission Pulley Cover	1	1	1	1	1	
21	89-1233-080162	Mini Hexagonal Bolt (PWSW) M8*16	2	2	2	2	2	
22	0223-76100	Label, Caution (Large)	2	2	2	2	2	
23	80-1010-933-00	Label, CE	1	1	1	1	1	
24	80-1020-932-00	Label, Noise 100db	1	1	1	1	1	
25	Not for sale	Serial Number	1	1	1	1	1	
26	80-1417-411-00	Axle Cover Pipe	2	2				
	<a href="#">80-1437-441-00</a>	<a href="#">Axle Cover Pipe</a>			2	2	2	
27	80-1614-315-00	Return Spring	1	1	1	1	1	
28	0207-04100	Brake Cover PK (PA-7)	1	1	1	1	1	*1)
29	80-1030-282-00	Brake Drum (PA-7)	1	1	1	1	1	*1)
30	89-2511-000150	Snap Ring (S15)	1	1	1	1	1	*1)
31	0244-88100	Brake Shoe Set (PA-7)	1	1	1	1	1	*1)
32	80-1030-271-00	Brake Cap Assy	1	1	1	1	1	*1)
33	85-1417-291-10	Receiver for Brake Wire	1	1	1	1	1	*1)
34	83-1035-148-00	Tapping Bolt M6*18	2	2	2	2	2	*1)
35	83-1020-148-00	Tapping Bolt M6*14	2	2	2	2	2	*1)

\*1) : Set code is 80-1417-100-20, which include 3), 4) and 28) ~ 35).

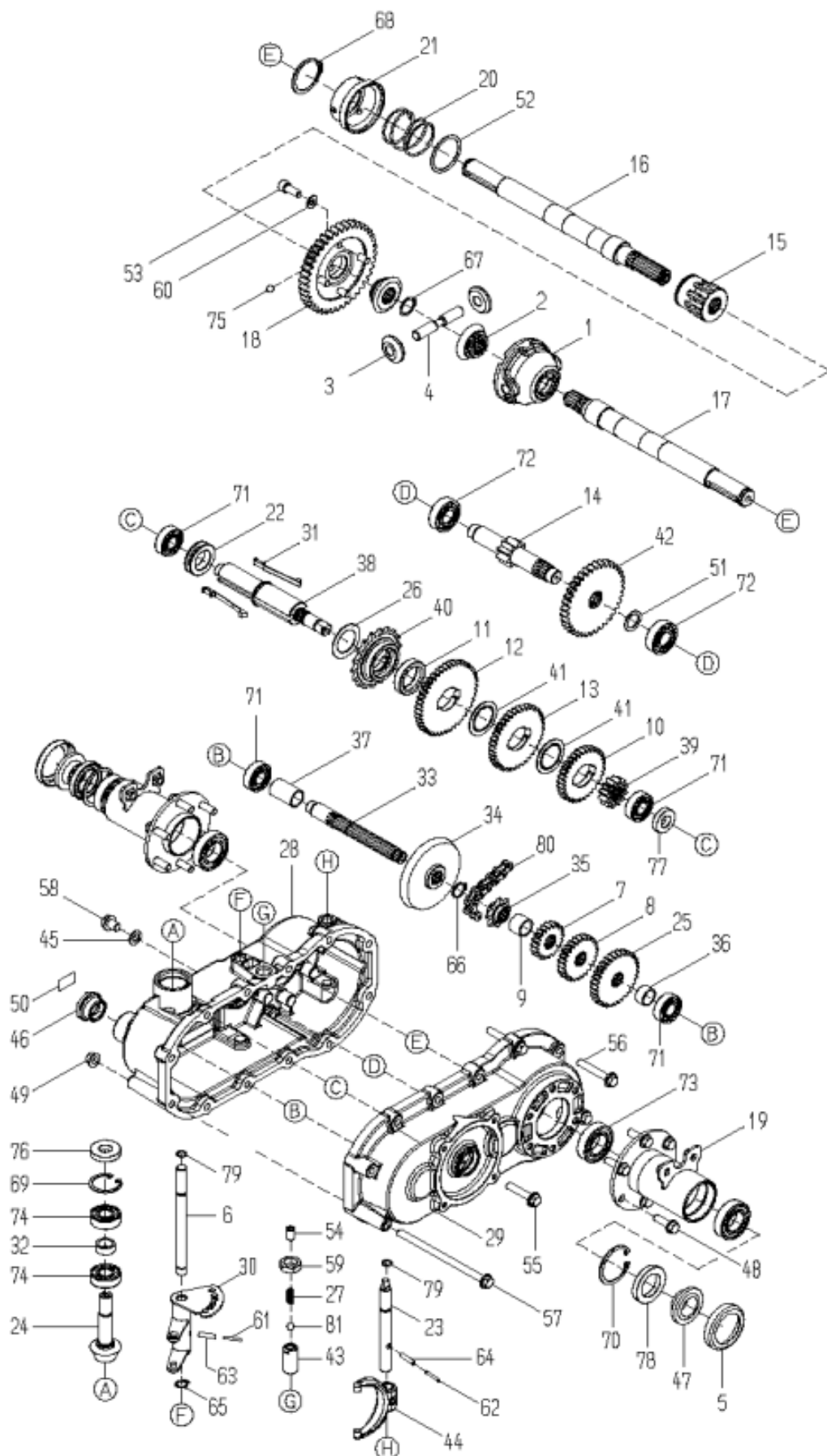
# Fig. 6 TRANSMISSION



**FIG. 6 Transmission**

Ref.	Parts No.	Parts Name	Quantity					Remarks
			SH61	SH61H	SH71H			
			KCO	KCO	KCO	OBH	OBH11W	
			FJ180V			GXV340		
1	80-1260-151-00	Differential Lock Case	1	1	1	1	1	
2	80-1260-152-00	Differential Gear 14T	2	2	2	2	2	
3	80-1260-153-00	Pinion 10T Gear	2	2	2	2	2	
4	80-1260-155-10	Differential Pinion Shaft	1	1	1	1	1	
5	80-1415-411-00	Dust Cover	2	2	2	2	2	
6	80-1417-110-00	Shift Fork Axle	1	1	1	1	1	
7	80-1417-123-00	B Axle Gear 20T	1	1	1	1	1	
8	80-1417-124-00	B Axle Gear 26T	1	1	1	1	1	
9	80-1417-129-00	Collar 18*22*16.5	1	1	1	1	1	
10	80-1417-135-00	C Axle Gear 33T	1	1	1	1	1	
11	80-1417-136-00	C Axle Collar	1	1	1	1	1	
12	80-1417-137-00	C Axle Gear 45T	1	1	1	1	1	
13	80-1417-138-00	C Axle Gear 39T	1	1	1	1	1	
14	80-1417-142-00	D Axle	1	1	1	1	1	
15	80-1417-143-10	Differential Lock Shaft	1	1	1	1	1	
16	0257-00100	Axle (Left) CMP	1	1	1	1	1	
17	0257-00200	Axle (Right) CMP	1	1	1	1	1	
18	80-1417-148-00	Axle 40T Gear	1	1	1	1	1	
19	80-1417-156-00	Axle BB Case CMP	2	2	2	2	2	
20	80-1417-162-00	Differential Lock Spring	1	1	1	1	1	
21	80-1425-143-00	Differential Lock Cone	1	1	1	1	1	
22	80-1481-111-00	Shift Key Holder	1	1	1	1	1	
23	80-1481-116-00	Differential Lock Fork Axle	1	1	1	1	1	
24	80-1481-118-00	A Axle 15T	1	1	1	1	1	
25	80-1481-125-00	B Axle Gear 33T	1	1	1	1	1	
26	80-1481-139-00	C Axle Thrust Washer 29*40*1.0	1	1	1	1	1	
27	80-1481-160-00	Pushing Spring 1.0	1	1	1	1	1	
28	80-1482-101-10	Transmission Case (Left)	1	1	1	1	1	
29	80-1482-103-00	Transmission Case (Right)	1	1	1	1	1	
30	80-1482-108-00	Shift Fork	1	1	1	1	1	
31	80-1482-113-00	Shift Key	2	2	2	2	2	
32	80-1482-119-00	A Axle Collar 9	1	1	1	1	1	
33	80-1482-122-00	B Axle	1	1	1	1	1	
34	80-1482-127-00	Bevel Gear 45T	1	1	1	1	1	
35	80-1482-128-00	B Axle Sprocket 8T	1	1	1	1	1	
36	80-1482-130-00	Collar 18*22*11	1	1	1	1	1	
37	80-1482-131-00	Collar 18*22*34	1	1	1	1	1	
38	80-1482-132-10	C Axle	1	1	1	1	1	
39	80-1482-133-00	C Axle Gear 12T	1	1	1	1	1	
40	80-1482-138-00	Sprocket 18T	1	1	1	1	1	
41	80-1482-139-00	C Axle Thrust Washer 29*44*1.0	2	2	2	2	2	
42	80-1482-144-00	D Axle Gear 36T	1	1	1	1	1	
43	80-1482-162-00	Screw for Adjusting Notch	1	1	1	1	1	
44	80-1830-113-00	Differential Lock Fork	1	1	1	1	1	
45	83-1020-349-00	Copper Packing 10.5*18*1.6	1	1	1	1	1	
46	83-1032-689-00	Oil Gauge KMS28A	1	1	1	1	1	
47	83-1415-663-00	Oil Seal AP 30.47.7	2	2	2	2	2	
48	83-1482-143-00	Tapping Bolt M8*25	12	12	12	12	12	
49	83-1484-255-00	Lock Nut ZUF M8	9	9	9	9	9	
50	83-1712-923-00	Label, Oil Quantity 1.6 L	1	1	1	1	1	
51	83-1830-368-00	Thrust Washer 18*26*1.0	1	1	1	1	1	

# Fig. 6 TRANSMISSION

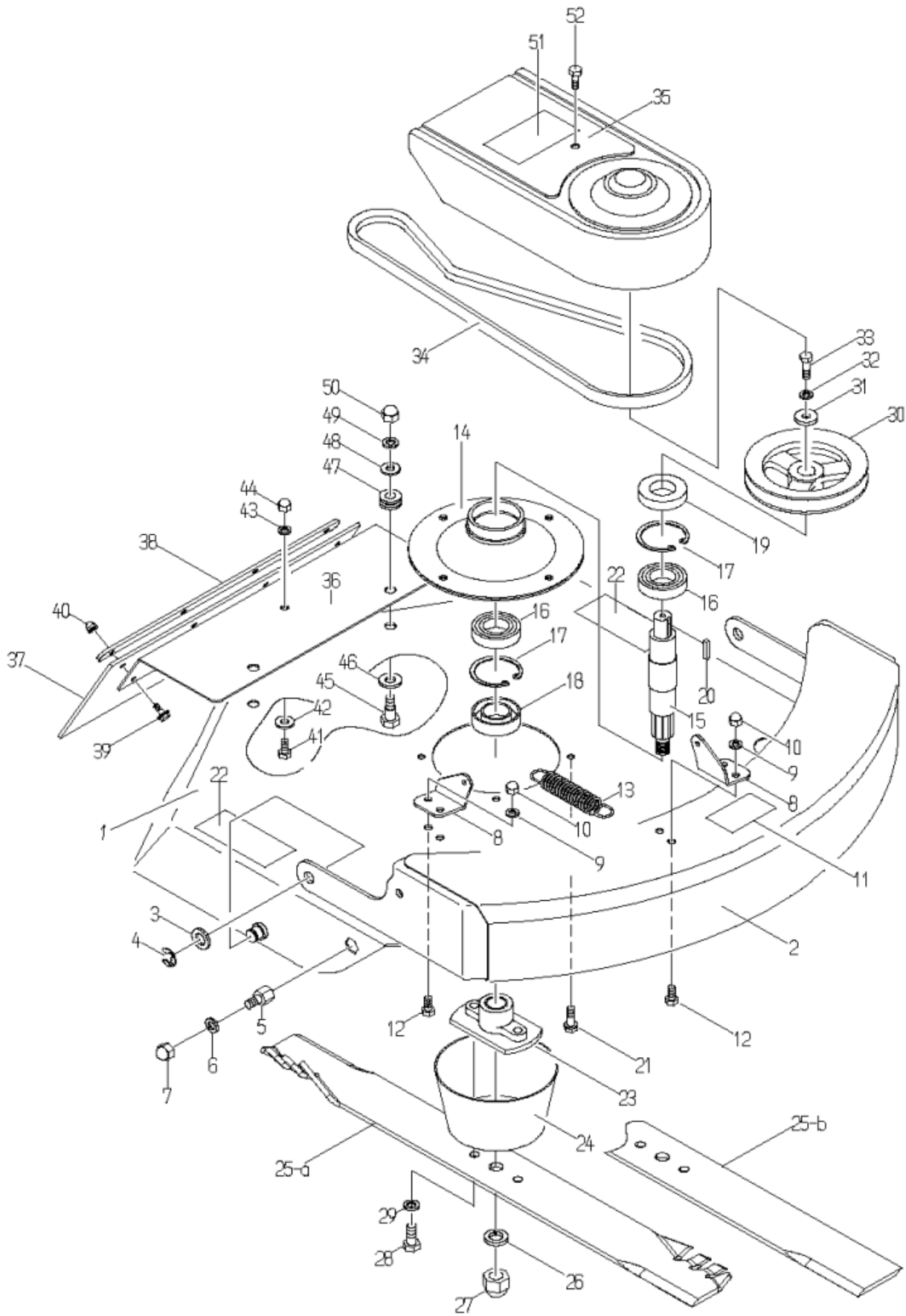




**FIG. 6 Transmission**

Ref.	Parts No.	Parts Name	Quantity					Remarks
			SH61	SH61H	SH71H			
			KCO	KCO	KCO	OBH	OBH11W	
			FJ180V			GXV340		
52	83-1830-382-00	Thrust Washer 40*48*1.0	1	1	1	1	1	
53	83-1981-149-00	Hexagonal Bolt with Hole M8*20	4	4	4	4	4	
54	89-1172-100165	Hexagonal Hole Screw M10*16	1	1	1	1	1	
55	89-1251-080403	Flange Mini Hexagonal Bolt M8*40	1	1	1	1	1	
56	89-1251-080503	Flange Mini Hexagonal Bolt M8*50	7	7	7	7	7	
57	89-1251-081403	Flange Mini Hexagonal Bolt M8*140	2	2	2	2	2	
58	89-1252-100123	Flange Mini Hexagonal Bolt M10*12 (slender)	1	1	1	1	1	
59	89-1514-160042	Hexagonal Nut (3 sorts) M16 (slender)	1	1	1	1	1	
60	89-1750-080002	Spring Washer 8	4	4	4	4	4	
61	89-2120-300252	Split Pin 3*25	1	1	1	1	1	
62	89-2111-030022	Spring Pin 3*22	1	1	1	1	1	
63	89-2111-050022	Spring Pin 5*22	1	1	1	1	1	
64	89-2111-050022	Spring Pin 5*22	1	1	1	1	1	
65	89-2511-000120	Snap Ring (S12)	1	1	1	1	1	
66	89-2511-000170	Snap Ring (S17)	1	1	1	1	1	
67	89-2511-000200	Snap Ring (S20)	1	1	1	1	1	
68	89-2511-000400	Snap Ring (S40)	1	1	1	1	1	
69	89-2512-000350	Snap Ring (R35)	1	1	1	1	1	
70	89-2512-000470	Snap Ring (R47)	2	2	2	2	2	
71	89-3111-062024	Bearing 6202	4	4	4	4	4	
72	89-3111-062034	Bearing 6203	2	2	2	2	2	
73	89-3115-060054	Bearing 6005 2RS	4	4	4	4	4	
74	89-3115-062024	Bearing 6202 2RS	2	2	2	2	2	
75	89-3410-075000	Steel Ball 7.5	3	3	3	3	3	
76	89-5111-153507	Oil Seal AD 15.35.7	1	1	1	1	1	
77	89-5121-153007	Oil Seal UE 15.30.7	1	1	1	1	1	
78	89-5121-304707	Oil Seal UE 30.47.7	2	2	2	2	2	
79	89-5221-009000	O Ring P9	2	2	2	2	2	
80	89-6513-420024	Chain #420-24L	1	1	1	1	1	
81	89-3410-080000	Steel Ball 8.0	1	1	1	1	1	

**Fig. 7 KNIFE COVER**

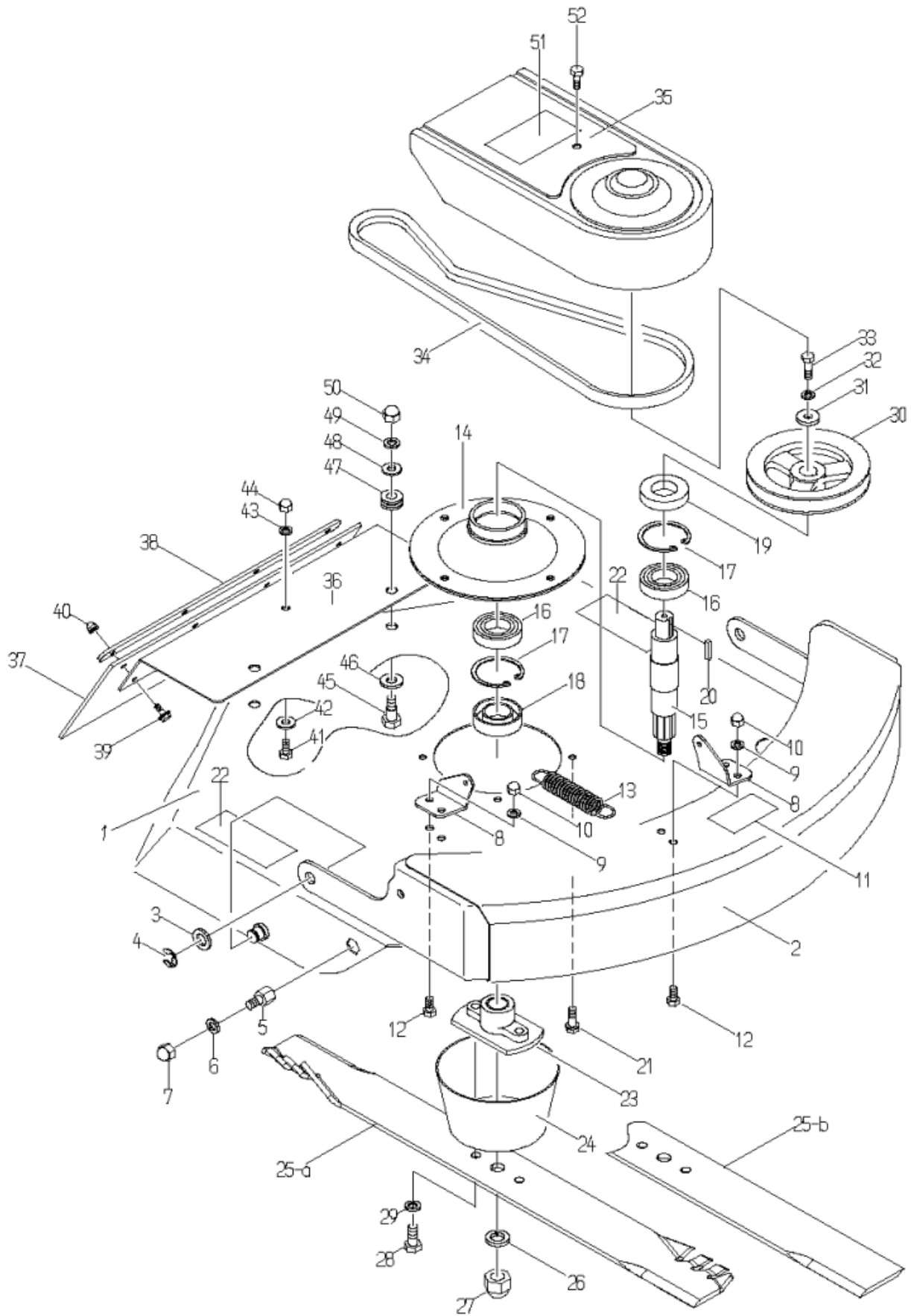




**FIG. 7 Knife Cover**

Ref.	Parts No.	Parts Name	Quantity					Remarks
			SH61	SH61H	SH71H			
			KCO	KCO	KCO	OBH	OBH11W	
			FJ180V			GXV340		
1	0231-73100	Knife Cover CMP	1	1				
	0232-73100	Knife Cover CMP			1	1	1	
2	80-1417-733-00	Front Guard CMP	1	1				
	80-1437-733-00	Front Guard CMP			1	1	1	
3	83-1630-342-00	Washer 16*26*2.3	2	2	2	2	2	
4	89-2521-000120	E Type Ring 12	2	2	2	2	2	
5	80-1417-736-00	Bolt for Fixing Front Guard	2	2	2	2	2	
6	89-1750-100002	Spring Washer 10	2	2	2	2	2	
7	89-1671-100042	Mini Cap Nut M10	2	2	2	2	2	
8	80-1020-705-30	Lock Arm Bracket A	2	2	2	2	2	
9	89-1750-080002	Spring Washer 8	4	4	4	4	4	
10	89-1671-080042	Mini Cap Nut M8	4	4	4	4	4	
11	0203-71100	Label, Main (Shuttle Mower)	4	4	4	4	4	
12	89-1213-080162	Mini Hexagonal Bolt (8T) M8*16	4	4	4	4	4	
13	80-1417-735-00	Spring	1	1	1	1	1	
14	80-1417-601-00	Knife BB Case	1	1	1	1	1	
15	0231-64100	Knife Axle	1	1	1	1	1	
16	89-3115-060064	Bearing 6006 2RS	2	2	2	2	2	
17	89-2512-000550	Snap Ring (R55)	2	2	2	2	2	
18	0297-08000	Oil Seal 35.55.16 (with AP)	1	1	1	1	1	
19	89-5121-305512	Oil Seal UE 30.55.12	1	1	1	1	1	
20	89-2151-050250	Key 5*25 (half round)	1	1	1	1	1	
21	89-1236-080252	Mini Hexagonal Bolt (PWSW) M8*25	4	4	4	4	4	
22	80-1488-926-10	Label, Caution for Knife	4	4	4	4	4	
23	84-1763-833-00	Knife Bracket	1	1	1	1	1	
24	80-1415-836-00	Knife Neck Guard	1	1	1	1	1	
25-a	0257-70800	Mulching Knife 60		1				
	0258-70400	Mulching Knife 70			1	1	1	
25-b	80-1415-821-00	Bar Knife	1					
	80-1445-821-00	Bar Knife SH70						
26	89-1750-160002	Spring Washer 16	1	1	1	1	1	
27	83-1732-175-00	Bag Nut M16 (Lock)	1	1	1	1	1	
28	89-1213-100252	Mini Hexagonal Bolt (8T) M10*25	2	2	2	2	2	
29	89-1750-100002	Spring Washer 10	2	2	2	2	2	
30	80-1415-571-10	Knife Pulley	1	1	1	1	1	
31	80-1020-312-00	Washer 8*30*3.2	1	1	1	1	1	
32	89-1750-080002	Spring Washer 8	1	1	1	1	1	
33	89-1253-080252	Flange Mini Hexagonal Bolt (8T) M8*25	1	1	1	1	1	
34	89-6123-004301	V Belt LBR-43	1					
	89-6123-004501	V Belt SBR-45		1	1	1	1	
35	0257-60500	Knife Pulley Cover	1	1	1	1	1	
36	0231-75100	Rear Guard	1	1				
	0232-75100	Rear Guard			1	1		
	0258-60100	Rear Guard					1	
37	80-1417-781-10	Rear Flapper	1	1				
	80-1437-781-10	Rear Flapper			1	1		
	0258-60300	Rear Flapper					1	

**Fig. 7 KNIFE COVER**

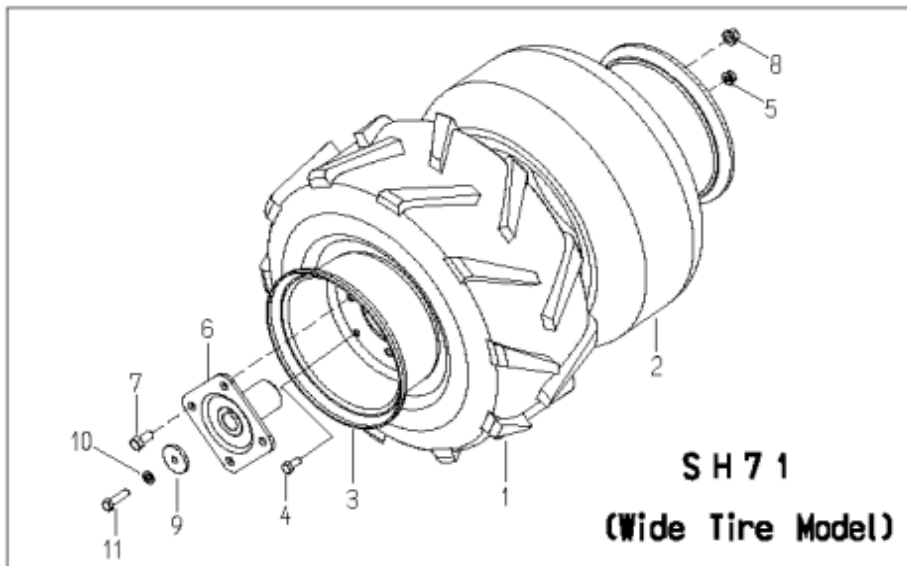
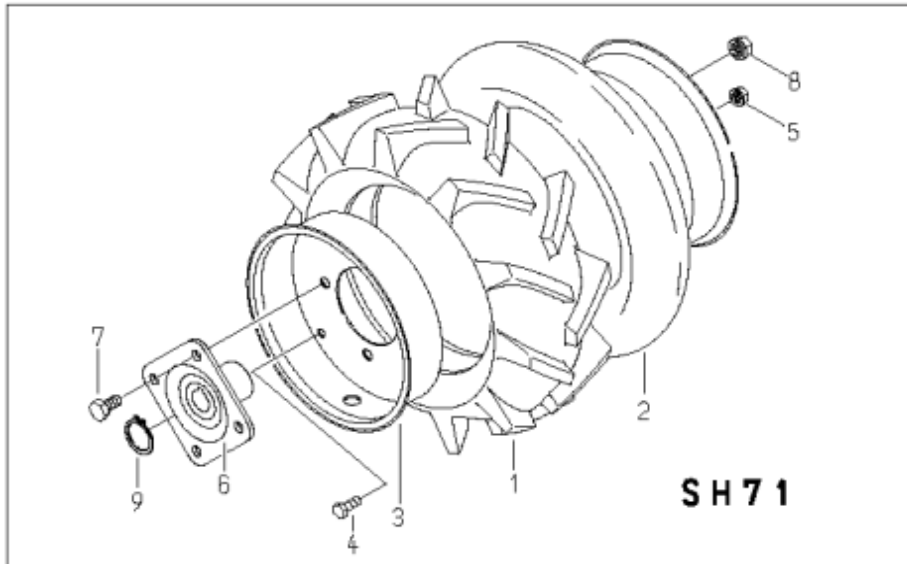
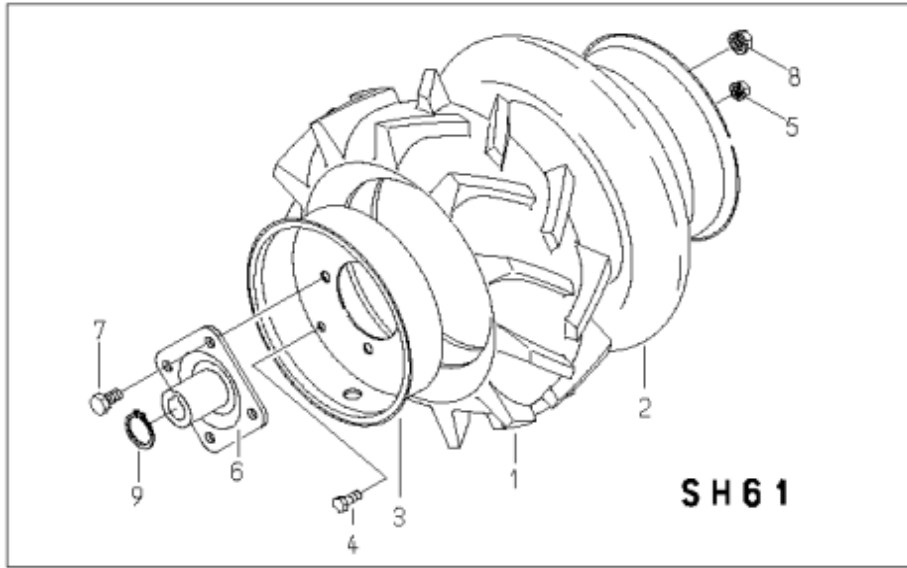


**FIG. 7 Knife Cover**

Ref.	Parts No.	Parts Name	Quantity					Remarks
			SH61	SH61H	SH71H			
			KCO	KCO	KCO	OBH	OBH11W	
			FJ180V			GXV340		
38	80-1417-785-10	Supporter for Flapper	1	1				
	80-1437-785-10	Supporter for Flapper			1	1		
	0258-60200	Supporter for Flapper					1	
39	89-1137-060152	Hexagonal Bolt (PW) M6*15	4	4	4	4	4	
40	89-1581-060042	Flange Cap Nut M6	4	4	4	4	4	
41	89-1253-080162	Flange Mini Hexagonal Bolt (8T) M8*16	1	1	1	1	1	
42	89-1714-080002	Flat Washer 8	1	1	1	1	1	
43	89-1750-080002	Spring Washer 8	1	1	1	1	1	
44	89-1671-080042	Mini Cap Nut M8	1	1	1	1	1	
45	80-1450-709-00	Bolt for Attaching Stay	4	4	4	4	4	
46	89-1714-120002	Flat Washer 12	4	4	4	4	4	
47	80-1450-719-00	Grommet	4	4	4	4	4	
48	89-1714-100002	Flat Washer 10	4	4	4	4	4	
49	89-1750-100002	Spring Washer 10	4	4	4	4	4	
50	89-1671-100042	Mini Cap Nut M10	4	4	4	4	4	
51	80-1488-928-10	Label, Caution for Belt Involving	1	1	1	1	1	
52	89-1236-080162	Mini Hexagonal Bolt (PWSW) M8*16	1	1	1	1	1	



# Fig. 8 REAR WHEEL



**FIG. 8 Rear Wheel (SH61)**

Ref.	Parts No.	Parts Name	Quantity					Remarks
			SH61	SH61H	SH71H			
			KCO	KCO	KCO	OBH	OBH11W	
FJ180V			GXV340					
1 ~ 8	0257-30000	Tire Assy (Left)	1	1				
	0257-31000	Tire Assy (Righth)	1	1				
1 ~ 5	80-1711-411-00	Tire Assy (Left) 400-7	1	1				
	80-1711-412-00	Tire Assy (Right) 400-7	1	1				
1	80-1711-401-00	Tire (400-7)	2	2				
2	80-1711-404-00	Tire Tube (400-7)	2	2				
3	80-1711-407-00	Wheel Assy (400-7)	2	2				
4	89-1111-080202	Hexagonal Bolt M8*20	8	8				
5	89-1543-080002	Mini Hexagonal Nut (SW) M8	8	8				
6	80-1565-413-10	Wheel Boss	2	2				
7	89-1111-100202	Hexagonal Bolt M10*20	8	8				
8	89-1541-080002	Hexagonal Nut (SW) M8	8	8				
9	89-2511-000220	Snap Ring (S22)	2	2				

**FIG. 8 Rear Wheel (SH71)**

Ref.	Parts No.	Parts Name	Quantity					Remarks
			SH61	SH61H	SH71H			
			KCO	KCO	KCO	OBH	OBH11W	
FJ180V			GXV340					
1 ~ 5	80-1711-411-00	Tire Assy (Left) 400-7			1	1		
	80-1711-412-00	Tire Assy (Right) 400-7			1	1		
1	80-1711-401-00	Tire (400-7)			2	2		
2	80-1711-404-00	Tire Tube (400-7)			2	2		
3	80-1711-407-00	Wheel Assy (400-7)			2	2		
4	89-1111-080202	Hexagonal Bolt M8*20			8	8		
5	89-1543-080002	Mini Hexagonal Nut (SW) M8			8	8		
6	80-1437-413-10	Wheel Boss			2	2		
7	89-1111-100202	Hexagonal Bolt M10*20			8	8		
8	89-1541-080002	Hexagonal Nut (SW) M8			8	8		
9	89-2511-000220	Snap Ring (S22)			2	2		

**FIG. 8 Rear Wheel (SH71 Wide Tire Model)**

Ref.	Parts No.	Parts Name	Quantity					Remarks
			SH61	SH61H	SH71H			
			KCO	KCO	KCO	OBH	OBH11W	
FJ180V			GXV340					
1 ~ 8	0258-31100	Tire Assy (Left)					1	
	0258-31200	Tire Assy (Righth)					1	
1 ~ 5	80-1761-411-00	Tire Assy (Left) 16*7.00-8					1	
	80-1761-412-00	Tire Assy (Righth) 16*7.00-8					1	
1	80-1751-401-00	Tire 16*700*8					2	
2	80-1751-404-00	Tire Tube 16*700*8					2	
3	80-1751-407-00	Wheel Assy 16*700*8					2	
4	89-1111-080202	Hexagonal Bolt M8*20					8	
5	89-1541-080002	Hexagonal Nut (SW) M8					8	
6	0258-30100	Wheel Boss					2	
7	89-1211-100202	Mini Hexagonal Bolt M10*20					8	
8	89-1543-100002	Mini Hexagonal Nut (SW) M10					8	
9	83-1565-315-00	Washer 8*36*4.5					2	
10	89-1750-080002	Spring Washer 8					2	
11	83-1984-114-10	Bolt M8*35					2	