

Masport®

EXPORT ROTARY MOWERS

SERIES 21

Part Number
467789

Model
Contractor ST SPV 3'n1

Engine
B&S Series 850

Month and Year of First Manufacture - Dec 2016

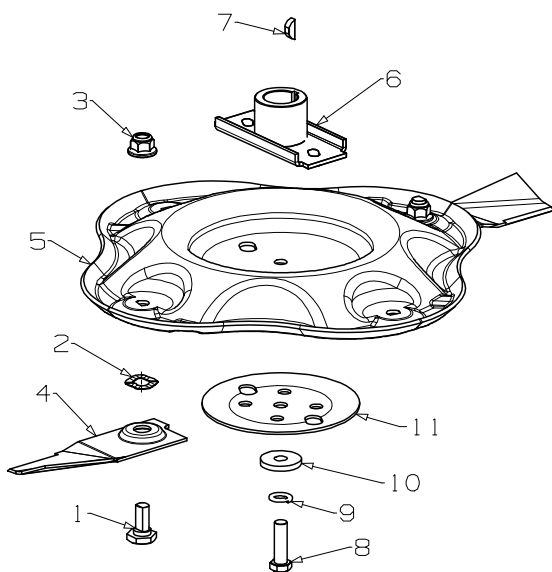
Starting Serial Number - 8113103



Issue A.1
ECN 03516
Mar 2017 PB
REF # 767789S



540mm Blade Assembly - Wavy



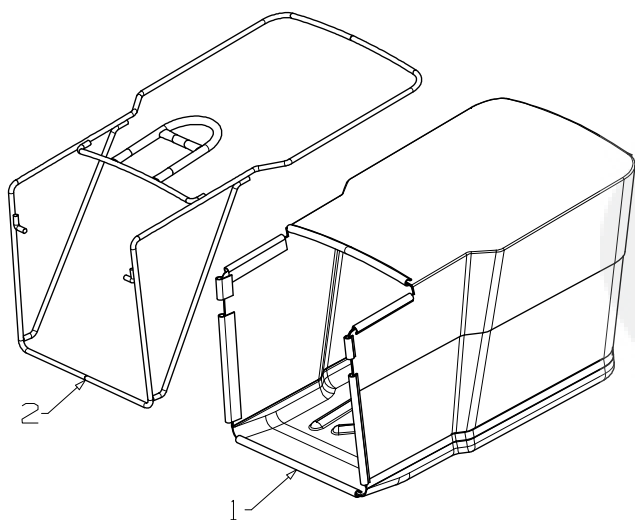
Item	Part No	Description	Qty
1	581707	Bolt- Pivot M10x22	2
2	580693	Washer, Wavy 13.4 x 24.2	2
3	503672	Nut, Flange Nyloc M10	2
4	579749	Blade, Quick Cut - 540mm	2
5	783314	KIT- Disc Blade- Wavy (Includes items 8, 9, 10 & 11)	1
6	031640	Driver Assy-Blade - 25mm	1
7	503363	Key, Woodruff - 5/8"x3/16"x1/4"	1
8	503543	Bolt;Hex NF 3/8" x 1.5 NYG8	1
9	500204	Washer, Spring 3/8"	1
10	503855	Washer, Flat 9.75 x 30 x 4.0	1
11	567332	Plate- Stiffener, Disc Blade Assy	1

Blade & Bolt Sets

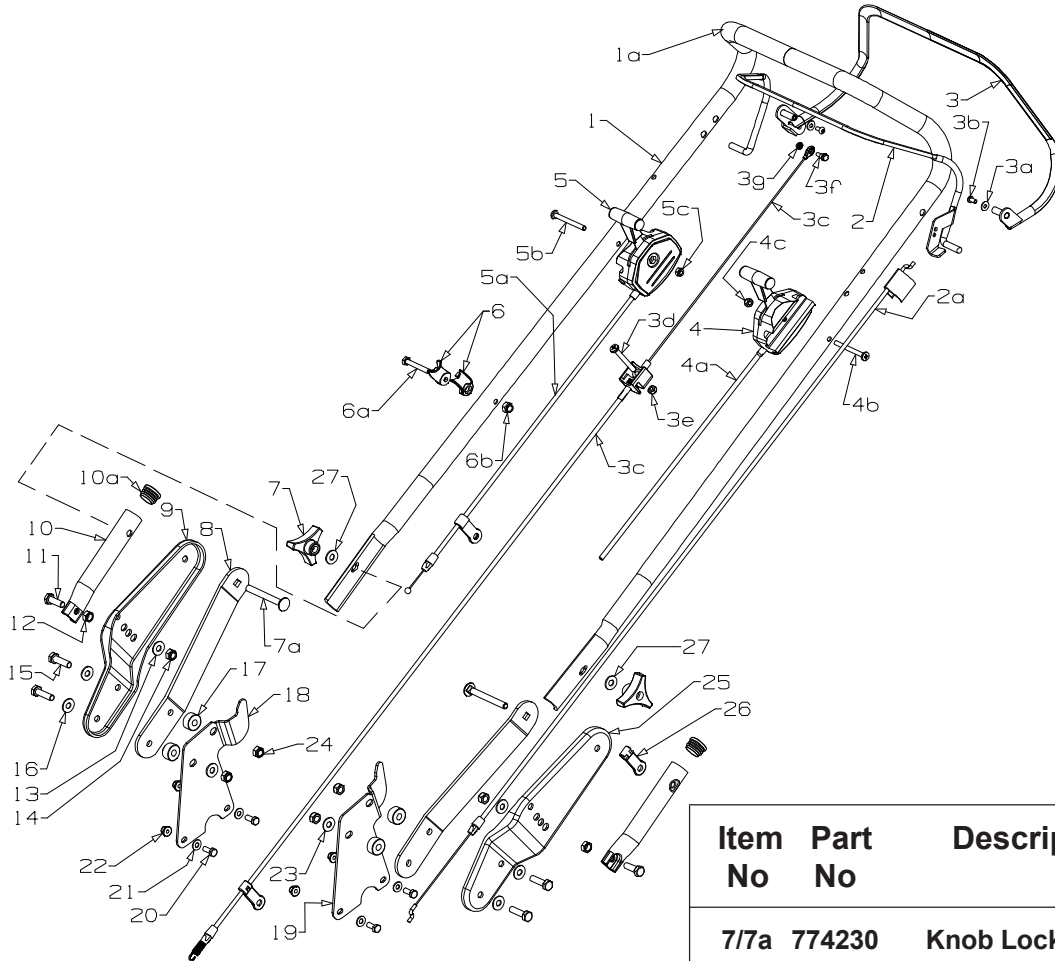
- 783690 **Bolt Set (2)**
 Includes Items: 1, 2, 3
- 779749 **Blade-Quick Cut (2) 540mm**
 Includes Items: 2 x 1, 2, 3, 4

Included in the Owners Manual bag,
 1 x 779749 Blade-Quick Cut, 540 (2 per pack)

764318 Catcher Assembly - Bag, Contractor (Includes items 1 & 2)



Item	Part No	Description	Qty
1	564318	Bag Assy - Contractor	1
2	564312	Frame Assy Contractor	1



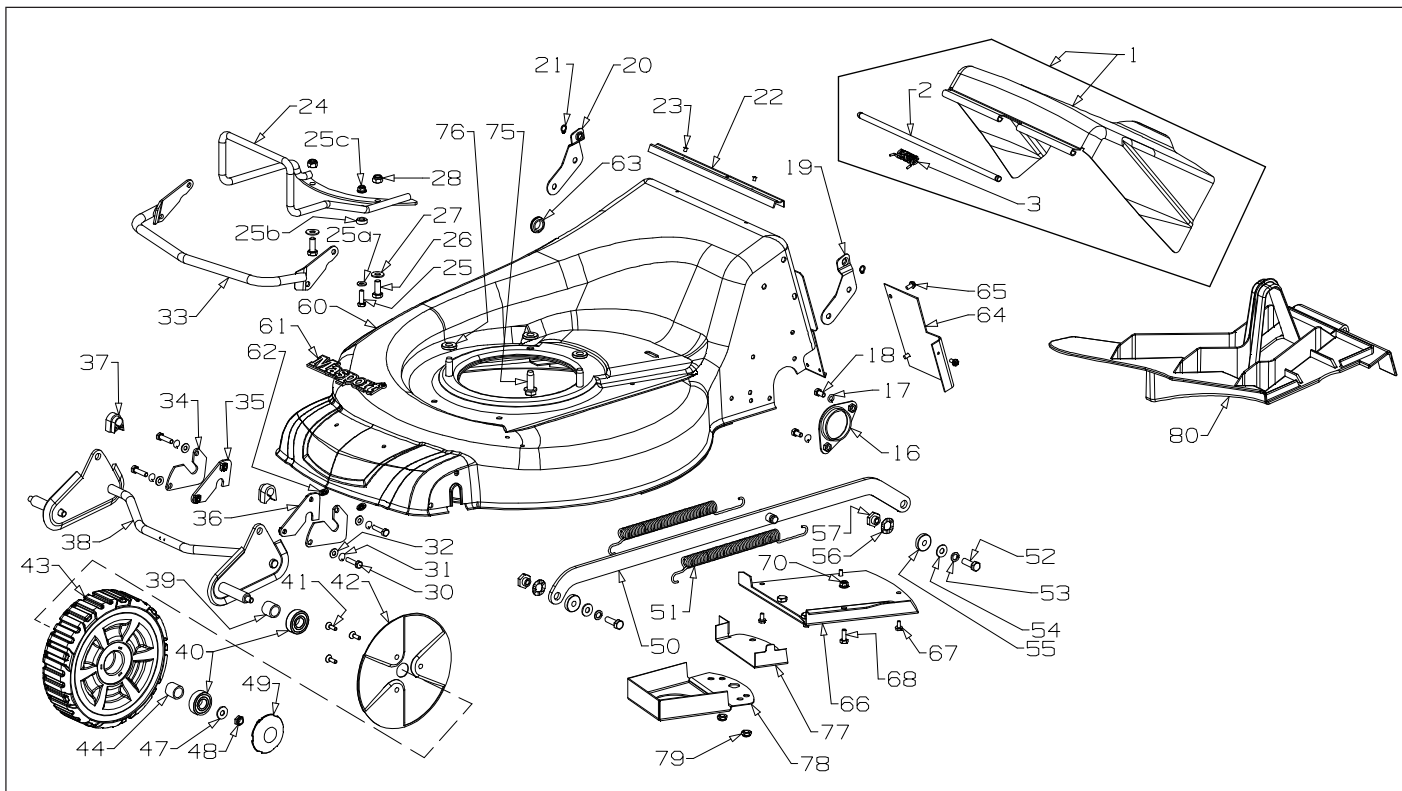
Item No	Part No	Description	Qty
1/1a	774496	Handle & Sleeve,Cont, SPV Blk	1
2	974365	Bail Arm Assy, OPC Con Blk	1
2a	574676	Cable- Engine OPC P/On 540	1
3	964336	Bail Arm Assy, SP RH Blk	1
3a	500848	Washer, Flat 3/16 x 0.5 x .039	2
3b	502115	Screw, Set M5 x 10 Btn/Hd	2
3c	564339	Cable-Clutch,ThumbWheel G/Box	1
3d	502181	Screw, Pan M6 x 50	1
3e	501764	Nut, M6 Hex Nyloc x 6mm Thick	1
3f	502237	Bolt, M5 Hex Fl/Hd Shouldered	1
3g	502238	Nut, M5 Hex Nyloc x 5mm Thick	1
4/4a	583460	Control-Throttle, -VE L/H CH"IT"	1
4b	502198	*Screw, Pan M6 x 60	1
4c	501764	*Nut, M6 Hex Nyloc x 6mm Thick	1
5	574272	Control- Speed x 3 SP UPT HNDL	1
5a	574299	Cable- Control x 3 SPV Contractor	1
5b	502198	Screw, Pan M6 x 60	1
5c	501764	Nut, M6 Hex Nyloc x 6mm Thick	1
6	782546	Comfort Start Kit	1
6a	503558	*Screw, Set M6 x 45	1
6b	501764	*Nut, M6 Hex Nyloc x 6mm Thick	1
7/7a	774230	Knob Lock Assembly (2 per)	1
7	574230	*Knob- Plastic, M8 Insert	2
7a	502177	*Bolt, Carriage M8 x 75	2
8	574128	Brace- Handle Bkt Adj, Con	2
9	964082	Bracket- Handle Adjustable, RH	1
10	974129	Handle- Lower, Stub S21 Stl Blk	2
10a	572270	Plug- 25.4 mm Black Plastic	2
11	501598	Screw, Set M8 x 25	2
12	501602	Nut, M8 Hex	2
13	501606	Washer, Flat 8 x 19 x 1.6	2
14	501793	Nut, M8 Hex Nyloc 8mm thick	2
15	501685	Screw, Set M8 x 30 Hex	4
16	501606	Washer, Flat 8 x 19 x 1.6	4
17	574134	Spacer- Pulley, 8.5 x 19 x 4	4
18	574140	Bracket- Catcher Mount, RH	1
19	574139	Bracket- Catcher Mount, LH	1
20	501702	Screw, Set M6 x 16 Hex	4
21	501703	Washer, Flat 6 x 14 x 1.2	4
22	503973	Nut, M6 Hex Nyloc Flanged	4
23	501606	Washer, Flat 8 x 19 x 1.6	2
24	501793	Nut, M8 Hex Nyloc 8mm thick	4
25	964083	Bracket- Handle Adjustable, LH	1
26	581527	Retainer- Clutch Cable, Handle	1
27	501606	Washer, Flat 8 x 19 x 1.6	2

When ordering PLEASE QUOTE PART NUMBER & Description, NOT Illustration No.
Determine right or left hand side from standing in operating position (standing at handle).

Bold Text = Assemblies, Bulleted Text * = Items included in the Assemblies & may not be available as a spares item.



S21 Contractor ST SPV 3n1

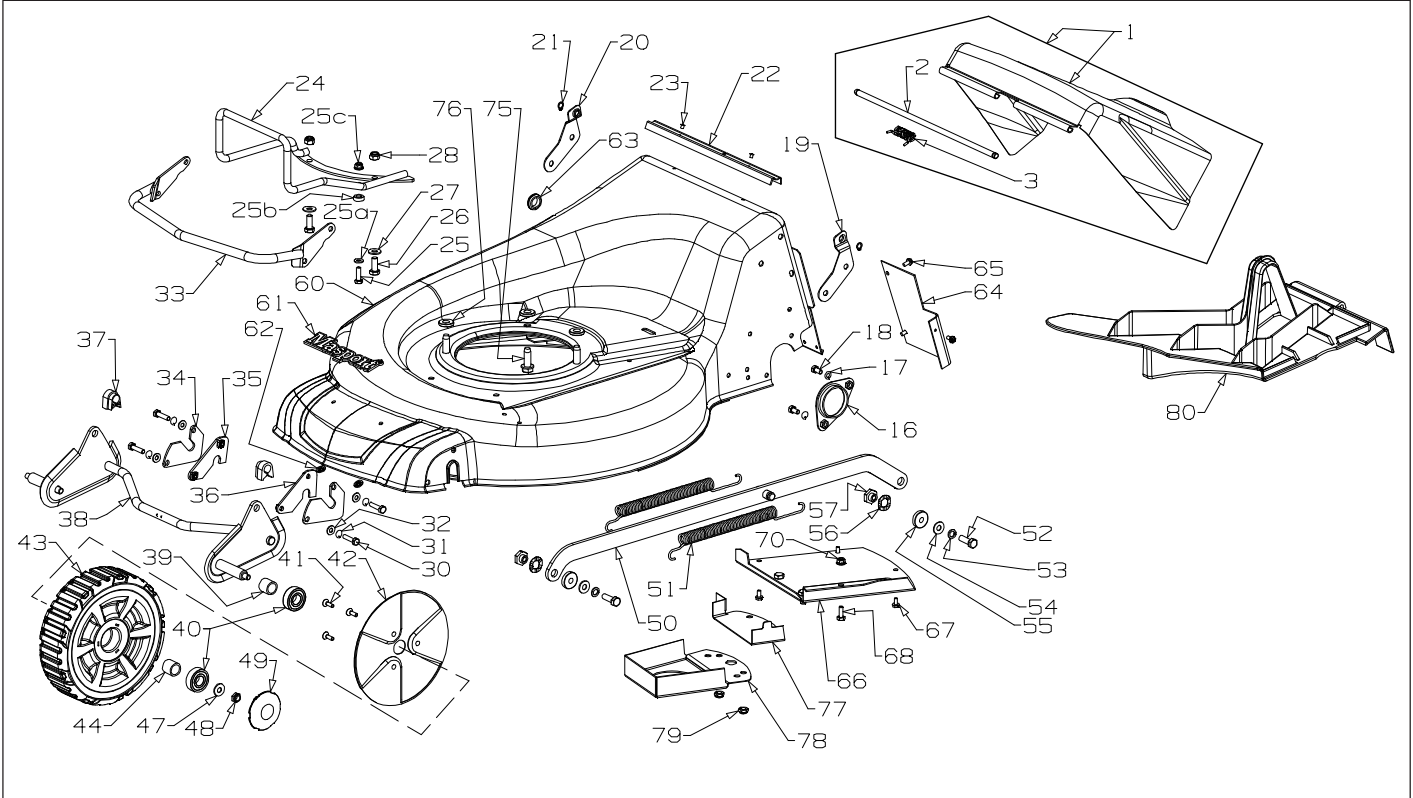


Item No	Part No	Description	Qty	Item No	Part No	Description	Qty
1	764454	Flap Assy- Steel, Contractor	1	37	580668	Bush- Pivot, Axle	2
2	764480	*Wire- Flap Pivot 325x8 CCL	1	38	567640	Axle Assy- Front, Contractor	1
3	583343	*Spring- Flap, 19/21 ALI	1	39	564039	Spacer- Wheel O/D19 x 18L	2
16	581178	Retainer- Axle, Rear	2	40	567564	Bearing- Wheel, 6202-2RS	4
17	500201	Washer, SPG 6	4	41	502267	Screw, Csk M5 x 12 Allen Head	6
18	501959	Screw, Set M6 x 12 Hex	4	42	574426	Cover- Inner Wheel, Front	2
19	579209	Bracket - Flap, LH 19"	1	43	764670 Wheel Assy- 200 x 58mm Cont	2	
20	579210	Bracket - Flap, RH 19"	1			(Includes 1 x 564039 & 2 x 567564 per wheel)	
21	502219	Circlip, 08 Ext DIN 471	2	44	564039	Spacer- Wheel O/D19 x 18L	2
22	579211	Seal Flap Dust	1	47	501606	Washer, Flat 8 x 19 x 1.6	2
23	581369	Rivet Pop 4.0x3.2	2	48	503831	Nut, M8 Hex Nyloc 6mm thick	2
24	974518	Guard- Bumper, Assy	1	49	567637	Hub- Cap, Contractor	2
25	501600	Screw, Set M6 x 20 Hex	1	50	574131	Rod- Connecting, 21" Cntr HC	1
25a	501703	Washer, Flt 6x14x1.2	1	51	569035	Spring- Counter Balance	2
25b	569334	Spacer- Wear Plate 19" x 6mm	1	52	501598	Screw, Set M8 x 25 Hex	2
25c	503973	Nut, M6 Hex Nyloc Flanged	1	53	503747	Washer, SPG 8	2
26	502106	Screw, Set M8 x 16 Hex	2	54	501606	Washer, Flat 8 x 19 x 1.6	2
27	501606	Washer, Flat 8 x 19 x 1.6	2	55	583448	Spacer	2
28	501793	Nut, M8 Hex Nyloc 8mm Thick	2	56	580693	Washer, Wavy 13.4x24.4x .51	2
30	501963	Screw, Set M6 x 25	4	57	574208	Nut- Pivot, Con-Rod	2
31	500201	Washer, SPG 6	4	60	774274	HSG-StIT 21" XFQ SPV M/VPR	1
32	501703	Washer, Flt 6x14x1.2	4	61	581240	*Nameplate- MASPORT	1
33	974110	Guard- Bumper, Assy	1	62	503150	*Clip- Starlock, 5 dia	2
34	574120	Plate- Retainer, Axle Fr/Inner	2	63	502179	*Grommet- Clutch Cable, 20x16	1
35	574122	Plate- Retainer, Axle Fr/RH	1	64	574249	*Tunnel- G/Box Cover 21" Stl	1
36	574121	Plate- Retainer, Axle Fr/LH	1	65	503630	*Screw, S/T 10x.4 Typ B	3

When ordering PLEASE QUOTE PART NUMBER & Description, NOT Illustration No.

Determine right or left hand side from standing in operating position (standing at handle).

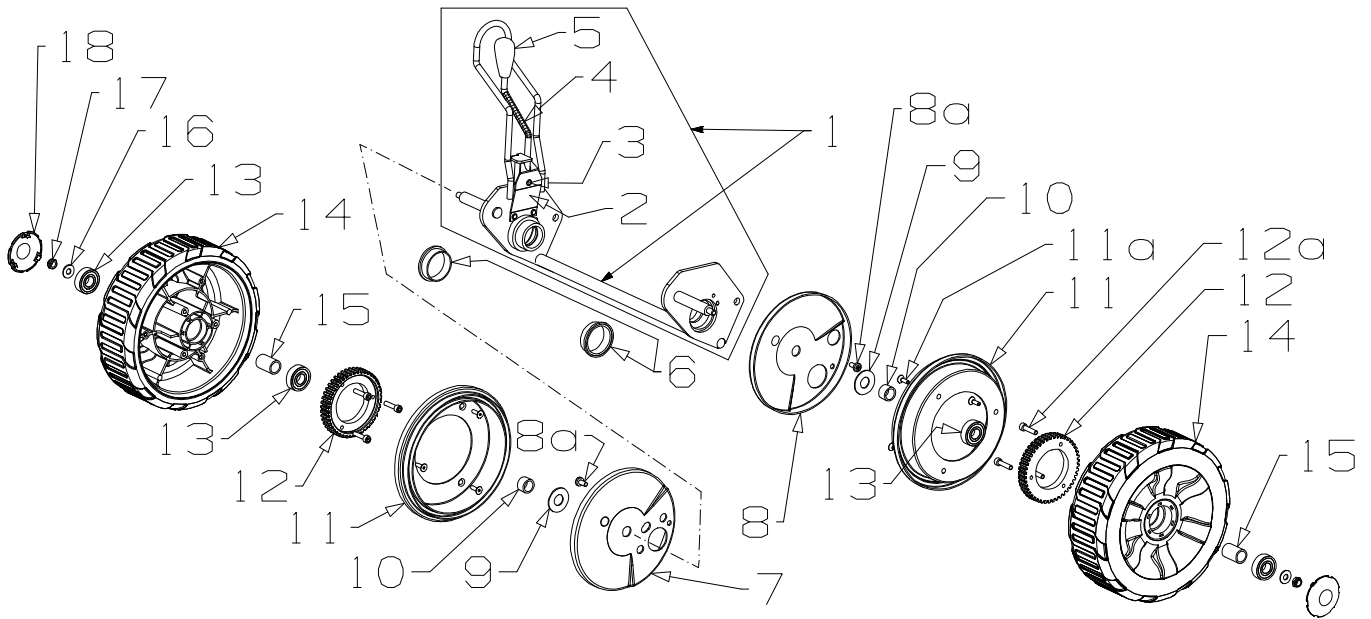
Bold Text = Assemblies, Bulleted Text * = Items included in the Assemblies & may not be available as a spares item.



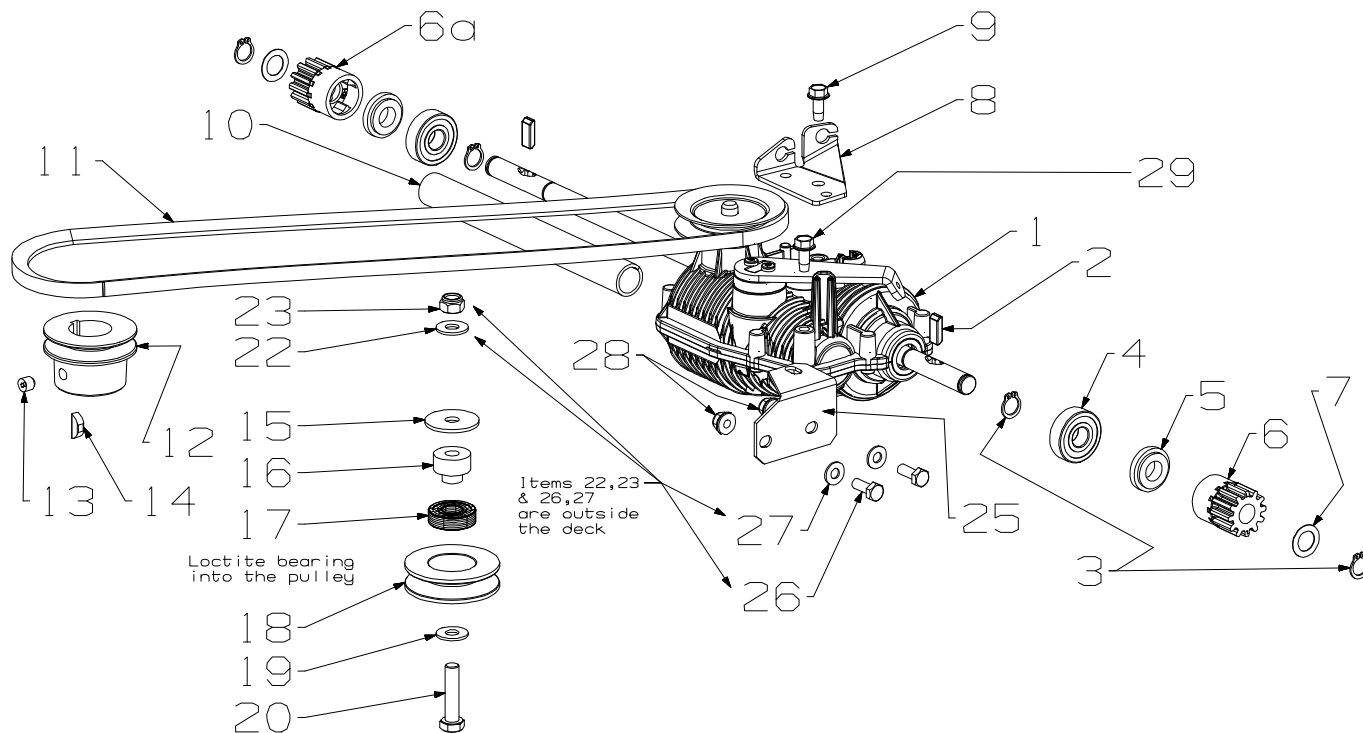
Item No	Part No	Description	Qty	Item No	Part No	Description	Qty
66	964018	Cover- Belt, 21" ST Syncro	1	78	567412	Cover- Belt, SPV 21" Syncro	1
67	503630	Screw, S/T 10x.4 Typ B	3	79	503831	Nut, M8 Hex Nyloc 6mm thick	2
68	501702	Screw, Set M6 x 16 Hex	1	80	773389	Insert- Mulching, 21" Assy	1
70	503973	Nut, M6 Hex Nyloc Flanged	1				
75	580453	Screw, S/T 3/8" x 1-1/8" UNC	3				
76	503419	Washer, Flt, 10 x 23 x 3.0	3				
77	567413	Cover- Belt, SPV Ext Syncro	1				

NOT ILLUSTRATED

503054	Tie- Nylon Cable, Black	3	Items as below are in the Owner's Manual Bag						
569324	Owner Manual	1							
571100	Decal, "Power Drive"	1					574634	Instruct, Handle Knob Replace	1
573198	Decal, HSG "Self Propelled"	1					502274	Bolt, Carriage M8 x 55	2
574267	Instruct, Sheet	1					503747	Washer, SPG 8	2
574263	Decal, HSG S21 900 Contractor	1					501606	Washer, Flat 8 x 19 x 1.6	3
574649	Certificate of Conformity	1					503526	Nut, M6 Dome	2
582049	Decal, Flap Caution	1							
582062	Decal, Height Combo	1							



Item No	Part No	Description	Qty	Item No	Part No	Description	Qty
1	774103	Axle Assy- Rear, SP Cont HC ST	1	10	567649	Spacer- Wheel, O/D20 x 13L	2
2	580649	*Spring- Leaf	1	11	567612	Seal- Wheel, Con	2
3	503373	*Rivet- Flat Head 3/16" x 27/64"	3	11a	502267	Screw, C/Sink M5 x 12 Allen Hd	6
4	574106	*Rod- Height Select, Cont	1	12	571272	Gear- Driving, Cont 45 teeth	2
5	581729	*Knob- Height Lever, Adj	1	12a	503962	Screw, Cap M6 x 25	6
6	580091	Bush- Pivot, Rear Axle	2	13	567564	Bearing- Wheel, 6202-2RS	4
7	574233	Cover- Dust, RH Con	1	14	767559	Wheel Assy- 235 x 75mm Cont	2
8	574232	Cover- Dust, LH Con	1	(Includes 2 x 567564 & 1 x 567639 per wheel)			
8a	503591	Screw, Pan M6 x 12	2	15	567639	Spacer- Wheel, Length 30mm	2
9	502017	Washer, Flat 16 x 32 x 1.6	2	16	501606	Washer, Flat 8 x 19 x 1.6	2
				17	503831	Nut, M8 Hex Nyloc x 6mm thick	2
				18	567637	Hub Cap, Contractor	2



Item No	Part No	Description	Qty	Item No	Part No	Description	Qty
1	564087	Gearbox- 3 Speed, MG512 21"	1	15	572199	Washer, Flat 8 x 32 x 2.0	1
2	581092	Pawl, Pinion 950 SP	2	16	574273	Spacer- Idler, SPV M8	1
3	503759	Circlip, 12 EXT DIN 471	4	17	503901	Bearing- Ball, 12x28x8 6001-2RSH	1
4	501213	Bearing, 12x32x10 6201 2RS	2	18	573383	Pulley- V, Idler	1
5	581093	Cap, Pinion 950 SP Plastic	2	19	501606	Washer, Flat 8 x 19 x 1.6	1
6	569178	Pinion, LH 12 Teeth	1	20	501716	Screw, Set M8 x 35 Hex	1
6a	569179	Pinion, RH 12 Teeth	1	22	501606	Washer, Flat 8 x 19 x 1.6	1
7	503102	Washer, Flat 12x20x0.4	2	23	501793	Nut, M8 Hex Nyloc 8mm thick	1
8	564249	Bracket- Cable Mount	1	25	567557	Bracket- G/Box Mount, Con	1
9	501599	Screw; S/Tapping 1/4" x 5/8"	1	26	501702	Screw, Set M6x16 Hex	2
10	574319	Sleeve, Rear Axle 3 Speed	1	27	501703	Washer, Flat 6 x 14 x 1.2	2
11	564358	Belt-V TR-PWRV10x875 Gat Notch	1	28	503973	Nut, M6 Nyloc Flange	2
12	574237	Pulley- Eng 25b x 55d x 28h	1	29	501599	Screw; S/Tapping 1/4" x 5/8"	1
13	503386	Screw, Grub M8 x 8	1				
14	503363	Key, Woodruff 5/8x3/16x1/4	1				

When ordering PLEASE QUOTE PART NUMBER & Description, NOT Illustration No.

Determine right or left hand side from standing in operating position (standing at handle).

Bold Text = Assemblies, **Bulleted Text** * = Items included in the Assemblies & may not be available as a spares item.