

# MORRISON

## EUROPEAN ROTARY MOWERS

### SERIES 18 - OPC

	<u>Part number</u>	<u>Model</u>	<u>Engine</u>
MORRISON	469995	500AL NVA CO	B & S Series 650

Month and Year of First Manufacture - Feb 2011  
SERIAL NUMBER FROM - 7409950

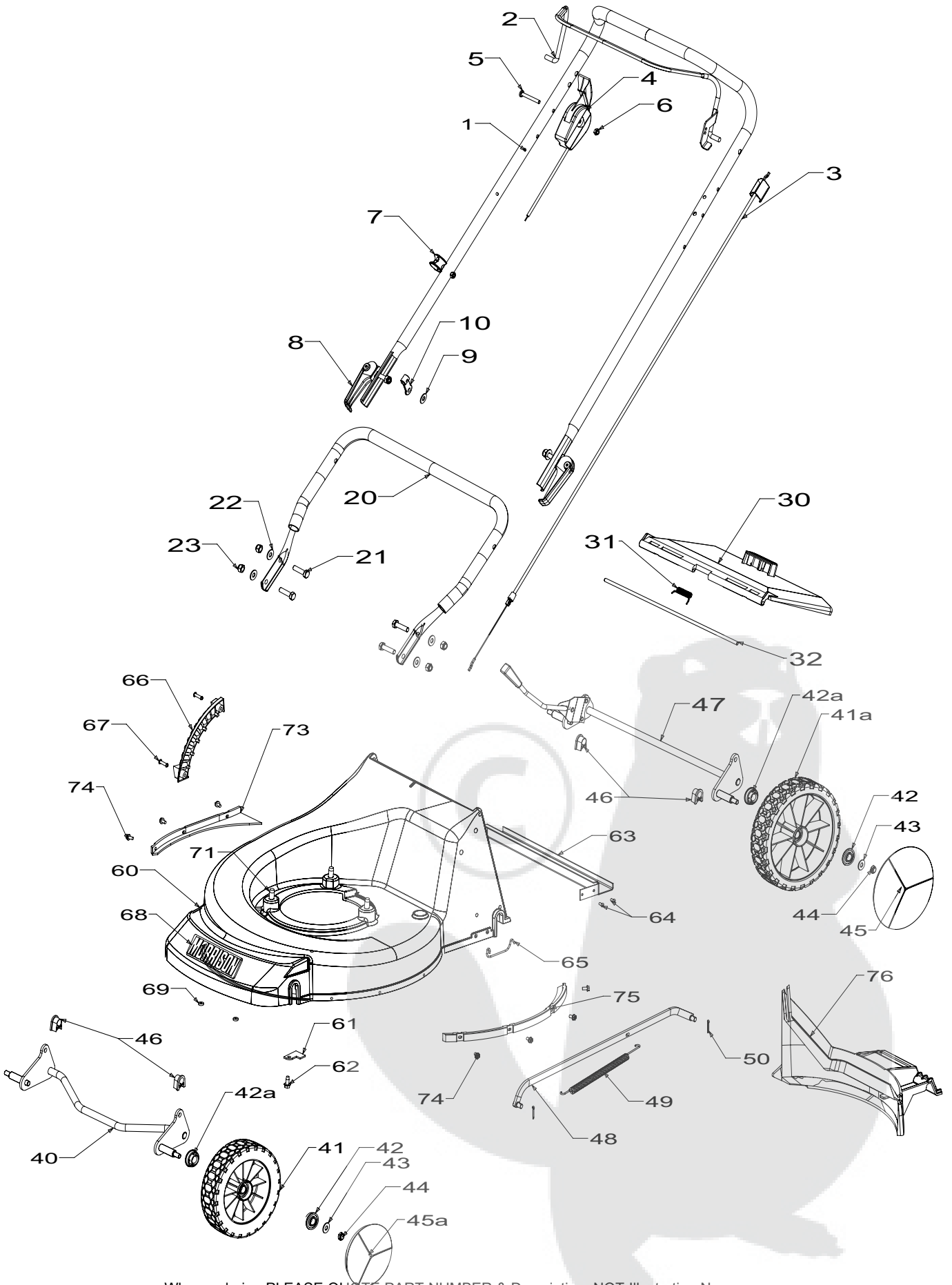




Powered by:  
500 AL : B & S Series 650

# MORRISON

Issue B  
Sept 2011 BH  
REF # 769995S



When ordering PLEASE QUOTE PART NUMBER & Description, NOT Illustration No.  
Determine right or left hand side from standing in operating position (standing at handle)



Powered by:  
500 AL : B & S Series 650

# MORRISON

Issue B  
Sept 2011 BH  
REF # 769995S

Item No	Part No	Description	Qty	Item No	Part No	Description	Qty
1	781265	<b>Handle &amp; Sleeve- Upper, OPC</b>	1	66	580025	Quadrant, Height Selector	1
2	981740	Bail Arm Assy, OPC Flatnd	1	67	503660	Rivet- Pop 4.8x9.0	2
3	581656	Cable- Engine, OPC Push On	1	68	581330	Nameplate- Morrison	1
4	583458	Control- Throttle Assy, Wescon	1	69	503150	Clip- Starlock, 5Dia	2
5	503604	Screw, Pan M6x45 Poz ZP	1	71	580453	Screw,S/T 3/8x1-1/8 UNC TRIBLK	3
6	501764	Nut, M6 Nylocx 6 Thck	1	73	581525	*Deflector - Air, R/H	1
7	703856	<b>Comfort Start Kit</b>	1	74	503630	*Screw, S/T 10x.4 TYP B	7
8	980456	<b>Cam Lock Assy</b>	2	75	581524	*Deflector - Air L/H	1
9	501606	Washer, Flat 8x19x1.6	2	76	583105	Insert Mulching Ali	1
10	581527	Retainer- Clutch Cable	1				
		__==__				<b>NOT ILLUSTRATED</b>	
20	981257	Handle- Lower, "U"	1	569160		Owners Manual	1
21	501598	Screw, Set M8x25 Hex	4	580778		Stop- Rope	1
22	501606	Washer, Flat 8x19x1.6	4	503054		Tie- Nylon, Cable	2
23	501793	Nut, M8 Hex Nyloc 8 Thck	4				
		__==__					
30	782200	<b>Flap Assy, Plastic 18"</b>	1				
31	581528	Spring, Flap	1				
32	781743	Wire- Flap, Pivot 6x352	1				
		__==__					
40	583593	Axle Assy, Front 175mm Thrd	1				
41	580790	<b>Wheel Assy- 175mm BB MK6</b>	2				
		<b>incl item 42 &amp; 42a</b>					
41a	580791	<b>Wheel Assy- 200mm BB MK6</b>	2				
		<b>incl item 42 &amp; 42a</b>					
42	551212	*Bearing- Wheel, Ball Type	4				
42a	579694	*Bearing Wheel Plastic	4				
43	501606	Washer, Flat 8x19x1.6	4				
44	503831	Nut, M8 Hex Nyloc 6 Thck	4				
45	580794	Hub Cap, 200 mm DIA MK6	2				
45a	580793	Hub Cap, 150mm DIA MK6	2				
46	580030	Bush- Pivot, Axle	4				
47	969399	<b>Axle Assy- Rear,18 " ALI</b>	1				
48	573895	Rod Assy, Connecting 175mm Pin	1				
49	581463	Spring, Counter Balance	1				
50	501056	Pin, Cotter 2.3D x 16	2				
		__==__					
60	769727	<b>Housing Assy- Ali 18" FS Red</b>	1				
		<b>incl items 61 - 64 &amp; 73 - 75</b>					
61	980564	*Plate- Retainer, Front Axle	2				
62	501599	*Screw, S/T 1/4x5/8 Hex	2				
63	583267	*Brace- Rear	1				
64	503226	*Rivet- Pop 4.0x7.9	4				
65	580225	Retainer, Axle Rear	2				

When ordering PLEASE QUOTE PART NUMBER & Description, NOT Illustration No.  
Determine right or left hand side from standing in operating position (standing at handle)

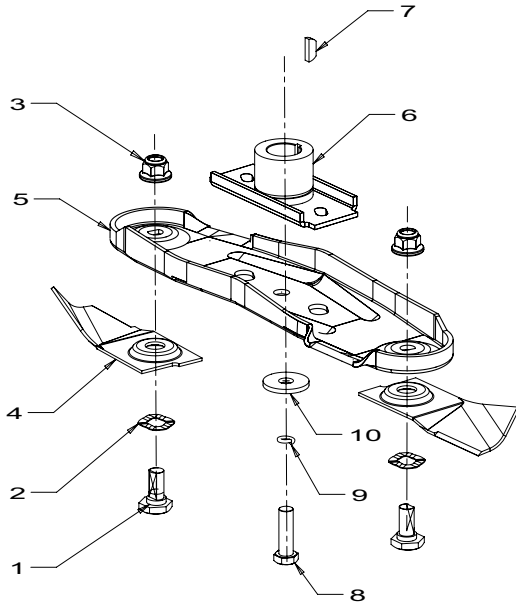


Powered by:  
500 AL : B & S Series 650

# MORRISON

Issue B  
Sept 2011 BH  
REF # 769995S

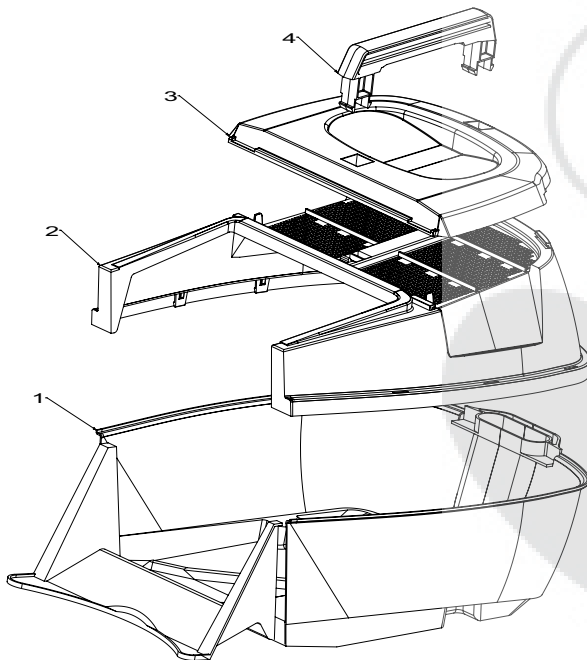
## 460mm Bar Blade Assembly



Item	Part No	Description	Qty
1	581707	Bolt Pivot M10 x 22 STL	2
2	580693	Washer Wavy	2
3	503672	Nut, M10 Hex Nyloc Flange	2
4	980658	Blade 460 mm	2
5	980653	Carrier Blade,Black	1
6	031640	Driver Assy Blade 25mm	1
7	503363	Key W/Ruff 5/8x3/16x1/4	1
8	581610	Screw; SET NF 3/8x1.25	1
9	500204	Washer SPG 3/8	1
10	503667	Washer, FLT 9.75x30 x3.0	1

**Also available in Blade Pack**  
767156 **Blade Swing Back 460(2per) MOR 1**

## Catcher Assembly Plastic



Item	Part No	Description	Qty
1	579118	Catcher- Bottom, 18"	1
2	579117	Catcher- Top, 18"	1
3	580674	Catcher- Lid, 18"	1
4	580673	Catcher- Handle	1