

MORRISON

EUROPEAN ROTARY MOWERS

SERIES 18 - OPC

	<u>Part number</u>	<u>Model</u>	<u>Engine</u>
MORRISON	469994	Novara 300 ST CO	B & S Series 500

Month and Year of First Manufacture - Feb 2011
SERIAL NUMBER FROM - 7409950

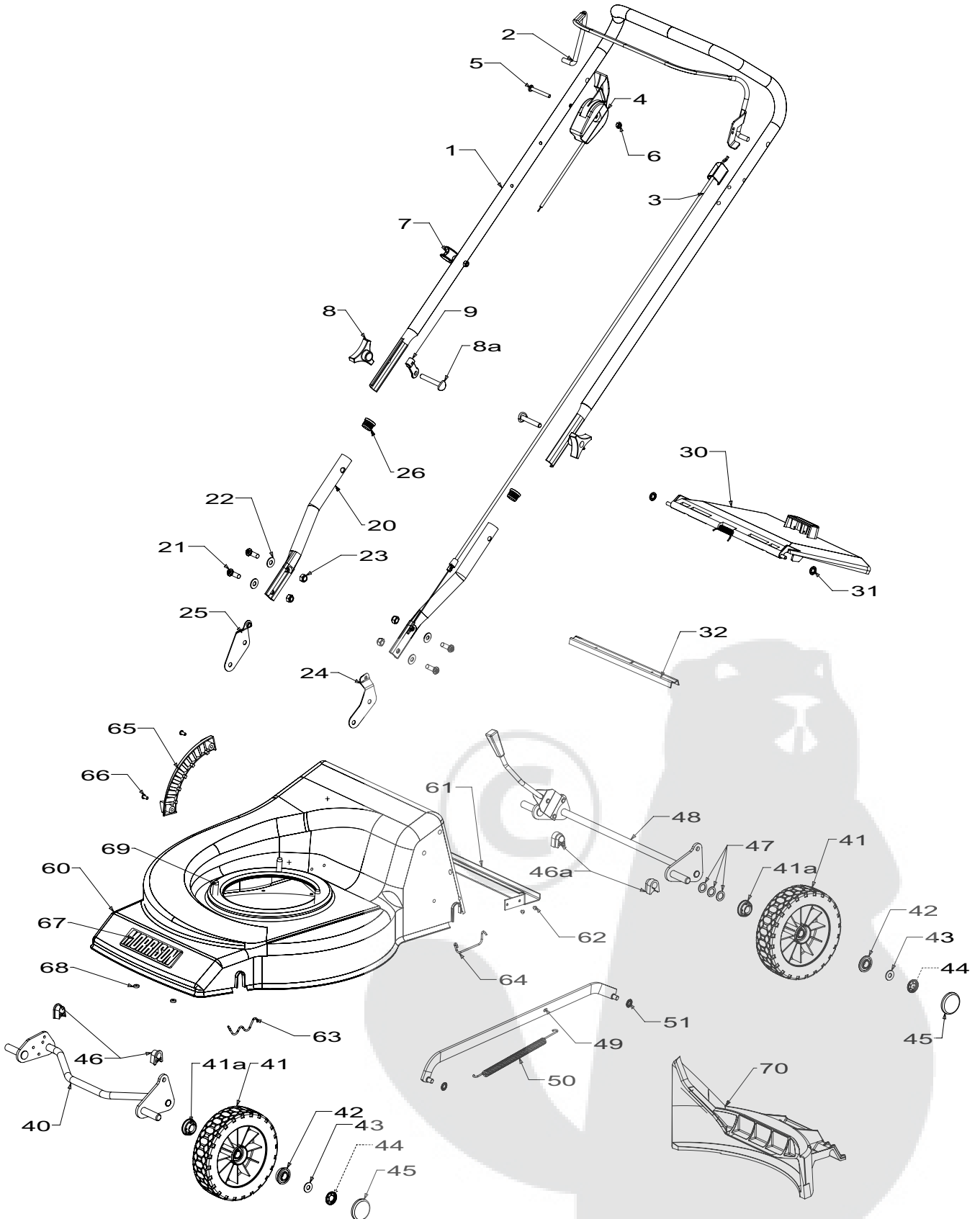




Powered by:
Novara 300 ST : Briggs & Stratton Series 500

MORRISON

Issue B
Sept 2011 BH
REF # 769994S



When ordering PLEASE QUOTE PART NUMBER & Description, NOT Illustration No.
Determine right or left hand side from standing in operating position (standing at handle)



Powered by:
Novara 300 ST : Briggs & Stratton Series 500

MORRISON

Issue B
Sept 2011 BH
REF # 769994S

Item No	Part No	Description	Qty	Item No	Part No	Description	Qty
1	781265	Handle Assy-Upper, Upt, OPC	1			incl items 61 - 62	
2	981740	Bail Arm Assy, OPC Flatnd	1	61	583267	*Brace- Rear	1
3	581656	Cable- Engine, OPC Push	1	62	581369	*Rivet- Pop 4.0x3.2 S/S	4
4	583458	Control Assy-Throttle, Wescon	1	63	529674	Retainer-Axle W, Front	2
5	503604	Screw, Pan M6 x 45	1	64	579292	Retainer-Axle, Rear	2
6	501764	Nut, Nyloc M6	1	65	580025	Quadrant- Height Selector	1
7	703856	Comfort Start Kit, 40mm	1	66	503660	Rivet- Pop 4.8x9.0	2
8	574230	Knob Plastic M8 Insert	2	67	581330	Nameplate- Morrison	1
8a	574218	Bolt, SPH m 8x 53x35	2	68	503150	Clip- Starlock, 5Dia	2
9	581527	Retainer Cable- Handle	1	69	580453	Screw, S/T 3/ 8" x 1 1/8"	3
		__==__		70	583173	Insert- Mulching, 18"	1
20	980692	Handle-Lower, Stub	2			__==__	
21	503643	Screw, Set M8x25 BTN/HD	4			NOT ILLUSTRATED	
22	501606	Washer, Flat 8x19x1.6	4				
23	501793	Nut, Nyloc M8	4				
24	579297	Bracket- Flap, LH	1	503054		Tie- Nylon, Cable	4
25	579298	Bracket- Flap, RH	1	580778		Stop- Rope	1
26	503319	Plug- 22mm Plastic	2	569160		Owners Manual	1
		__==__					
30	783612	Flap Assy- Plastic	1				
31	503574	Clip- Starlock, 6 Dia	2				
32	583151	Dust Seal- Flap	1				
		__==__					
40	581269	Axle-Front, 175mm	1				
41	580790	Wheel Assy- 175mm	4				
		incl item 41a and 42					
41a	579694	*Bearing Wheel Plastic	4				
42	551212	*Bearing- Wheel	4				
43	501606	Washer, Flat 8x19x1.6	4				
44	503236	Clip Stalock, 1/2"	4				
45	581000	Hub Cap, Button MK6	4				
46	580030	Bush-Pivot, Front Axle	2				
46a	580668	Bush-Pivot, Rear Axle	2				
47	503301	Washer, Flt 1/2x3/4x18G	3				
48	969241	Axle Assy- Rear, Complete	1				
49	972288	Rod Assy-Connecting, 150mm	1				
50	581463	Spring-Counter Balance	1				
51	501365	Clip-Starlock, 5/16"	4				
		__==__					
60	769728	Housing Assy- Stl 18" ODS FS	1				

Bold Text = Assemblies
Bulleted Text = Items included in Assemblies

When ordering PLEASE QUOTE PART NUMBER & Description, NOT Illustration No.
Determine right or left hand side from standing in operating position (standing at handle)

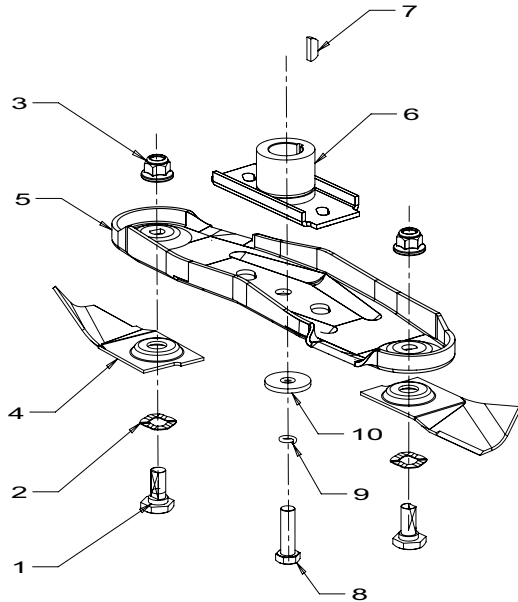


Powered by:
Novara 300 ST : Briggs & Stratton Series 500

MORRISON

Issue B
Sept 2011 BH
REF # 769994S

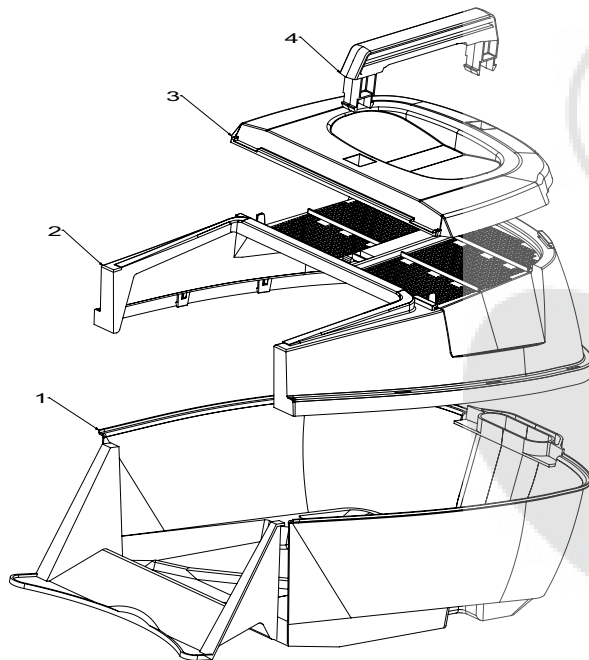
460mm Bar Blade Assembly



Item	Part No	Description	Qty
1	581707	Bolt Pivot M10 x 22 STL	2
2	580693	Washer Wavy	2
3	503672	Nut, M10 Hex Nyloc Flange	2
4	980658	Blade, 460 mm	2
5	980653	Carrier Blade,	1
6	014173	Driver Assy Blade 7/8	1
7	500636	Key W/Ruff 5/8x5/32x1/4	1
8	581610	Screw; SET NF 3/8x1.25	1
9	500204	Washer SPG 3/8	1
10	503667	Washer, FLT 9.75x30 x3.0	1

Also Available in Blade Pack;
767156 **Blade Swing Back,460(2per)MOR 1**

Catcher Assembly Plastic



Item	Part No	Description	Qty
1	579118	Catcher- Bottom, 18"	1
2	579117	Catcher- Top, 18"	1
3	580674	Catcher- Lid, 18"	1
4	580673	Catcher- Handle	1