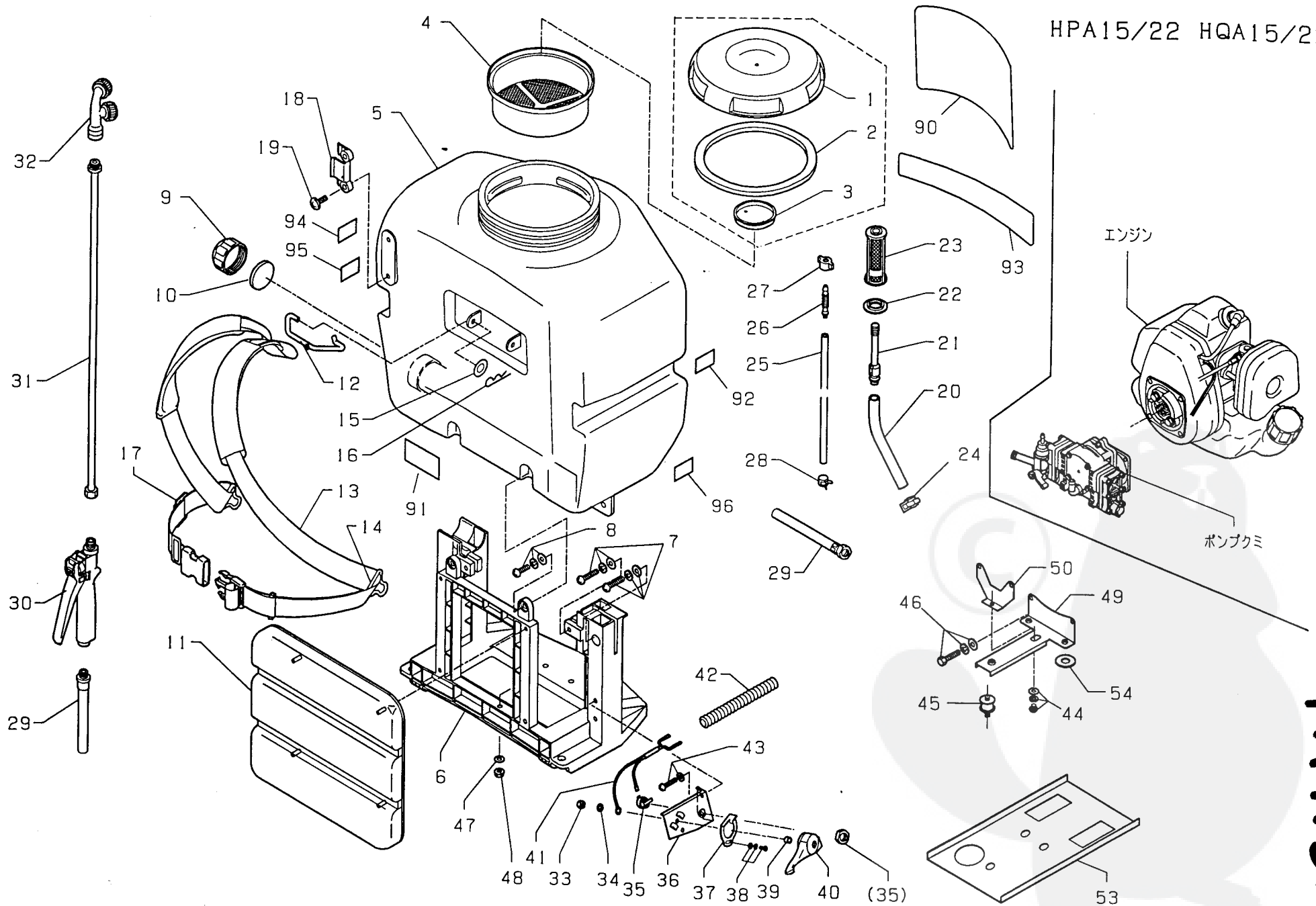


HPA15/22 HQA15/22

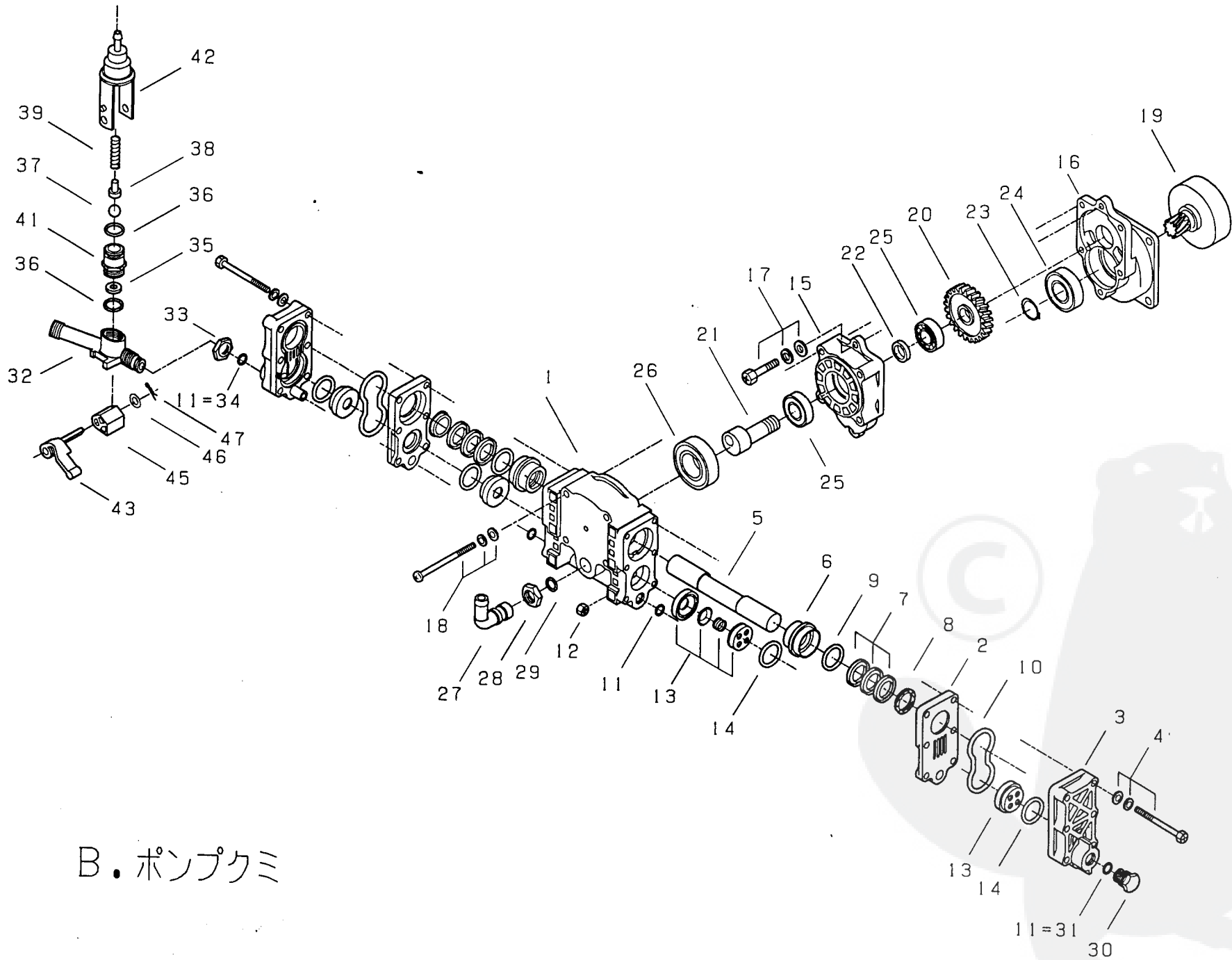


HPH22

# HPH 22

[HPS15/22M1(HPH15/22) W/O PUMP]

REF.	CODE NO.	NAME	QTY
1-3	166-875-0	CAP ASS'Y	1
1	166-874-4	CAP	1
2	166-633-7	CAP APCKING	1
3	166-633-8	INNER CAP	1
4	290-004-0	FILTER	1
5	165-485-6	CHEMICAL TANK ASS'Y 15 L	1
5	165-525-5	CHEMICAL TANK ASS'Y 22 L	1
6	165-485-7	FRAME ASS'Y	1
7	002-850-0	SCREW	4
8	002-842-0	SCREW	2
9	166-557-7	DRAIN CAP	1
10	521-803-0	DRAIN CAP PACKING	1
11	165-485-9	CUSHION	1
12	520-801-0	STRAP HANGER	1
13	166-432-3	BELT ASS'Y	1
14	165-578-1	STRAP HANGER	2
15	003-222-0	WASHER-STAY (M6)	1
16	008-405-0	R-PIN	1
17	166-879-6	STOPPER	1
18	165-354-4	NOZZLE HOLDER	1
19	165-354-5	SCREW	2
20	165-851-4	SUCTION HOSE	1
21	165-486-9	COUPLING	1
22	165-487-0	WASHER	1
23	165-487-2	1665512 STRAYNER	1
24	165-487-3	CRAMP	1
25	165-851-5	OVERFLOW HOSE	1
26	165-487-7	COUPLING	1
27	165-487-8	NUT	1
28	165-251-0	CRAMP	1
29	168-034-9	SPRAY HOSE ASS'Y	1
30	520-929-0	LEVER COCK	1
31	165-355-5	LANCE	1
32	005-334-0	NOZZLE	1
33	003-008-0	NUT (M5)	1
34	003-277-0	SPRING WASHER	1
35	088-803-0	STOP SWITCH	1
36	165-527-5	THROTTLE LEVER BASE	1
37	165-525-1	STOPPER	1
38	002-802-0	SCREW	1
39	521-812-0	SPACER	1
40	099-038-0	THROTTLE LEVER	1
41	165-488-6	CODE ASS'Y	1
42	165-488-5	TUBE	1
43	002-441-0	SCREW (M6 X 10)	2
44	002-842-0	SCREW (M6 X 12)	1
45	165-538-1	ENGINE DAMPER	3
46	001-806-0	BOLT (M6 X 20)	4
47	003-222-0	WASHER-STAY (M6)	3
48	003-152-0	NUT	3
49	165-486-1	ENGINE BASE	1
50	165-486-0	ENGINE BASE	1
51	166-916-7	LABEL	1
52	166-955-2	LABEL	1
52	166-955-3	LABEL	1



B. ポンプクミ

HPH22

*Lie of the act.*

[HPH/HQA PUMP ASS'Y]

NO.	CODE NO.	NAME	QTY
	165-791-2	PUMP ASS'Y	1
1	165-787-2	CRANK CASE	1
2	165-787-3	HOUSING	2
3	165-787-4	DISCHARGE HOUSING	2
4	165-787-5	1869822 SCREW	12
5	166-908-3	PLUNGER	1
6	165-788-0	PACKING ADAPTOR	2
7	165-788-1	V-PACKING	6
8	165-067-4	PACKING ADAPTOR	2
9	165-788-2	O-RING	2
10	165-788-3	O-RING	2
11	003-350-1	O-RING	2
12	003-008-3	NUT	12
13	165-788-4	VALVE ASS'Y	4
14	165-788-9	O-RING	4
15	165-789-0	GEAR CASE	1
16	165-789-1	CLUTCH CASE	1
17	002-832-0	SCREW	2
18	165-789-2	SCREW	4
19	165-789-3	CLUTCH DRUM	1
20	165-789-4	GEAR	1
21	165-789-5	CAM	1
22	165-789-6	COLLAR	1
23	008-206-0	STOP RING	1
24	165-789-7	BEARING	1
25	004-551-0	BEARING	2
26	165-102-4	BEARING	1
27	165-789-8	SUCTION COUPLING	1
28	168-038-1	NUT	1
29	003-360-0	O-RING	1
30	165-789-9	BOLT	1
32	165-790-0	REGULATING CASE	1
33	168-038-1	NUT	1
35	165-790-2	REGULATING VALVE SEAT	1
36	003-369-1	O-RING	2
37	166-336-4	REGULATING VALVE	1
38	165-790-3	REGULATING SPINDLE	1
39	165-790-4	REGULATING SPRING	1
41	165-790-6	REGULATING VALVE GUIDE	1
42	165-790-7	REGULATING SPRING CASE	1
43	165-790-8	SWITCHING LEVER	1
45	165-791-0	CAM	1
46	003-222-0	WASHER	1
47	008-405-0	R-PIN	1