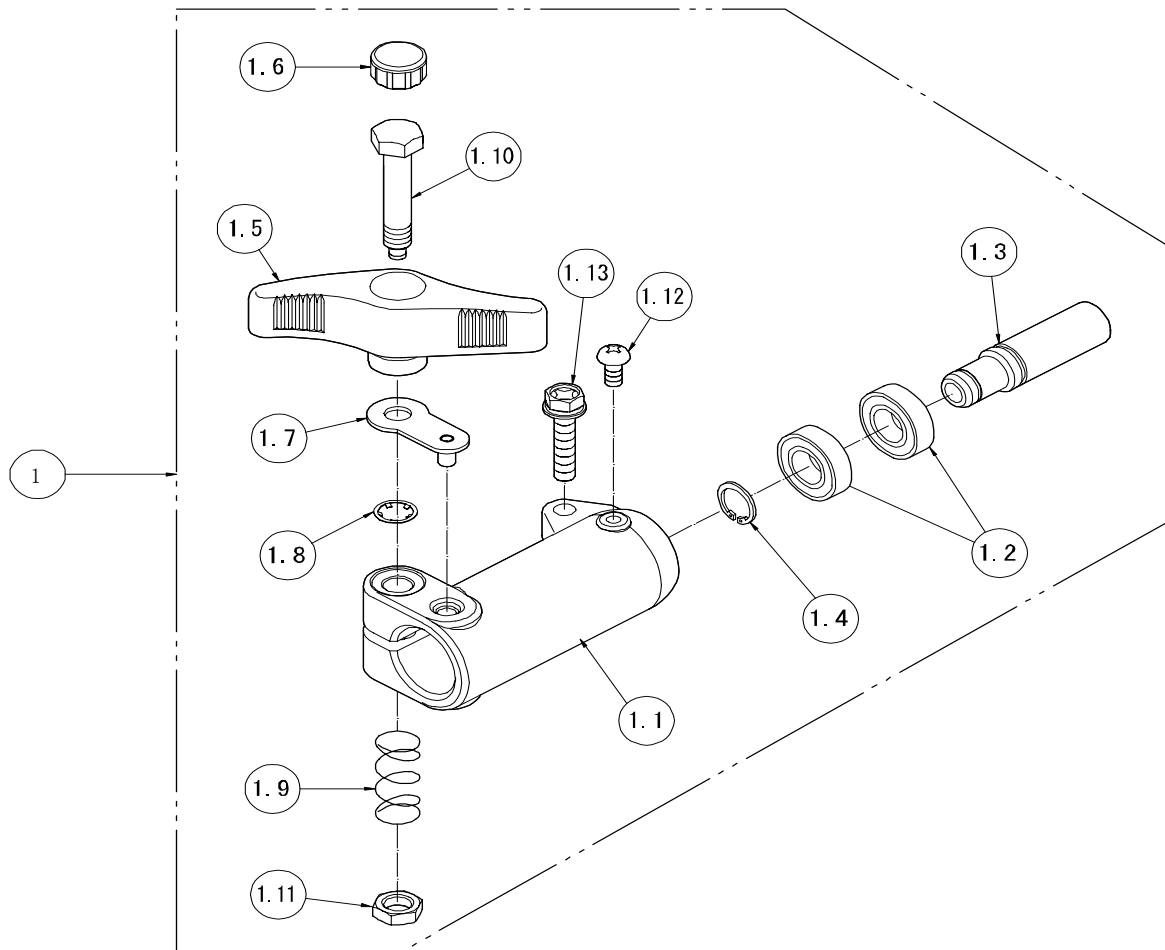
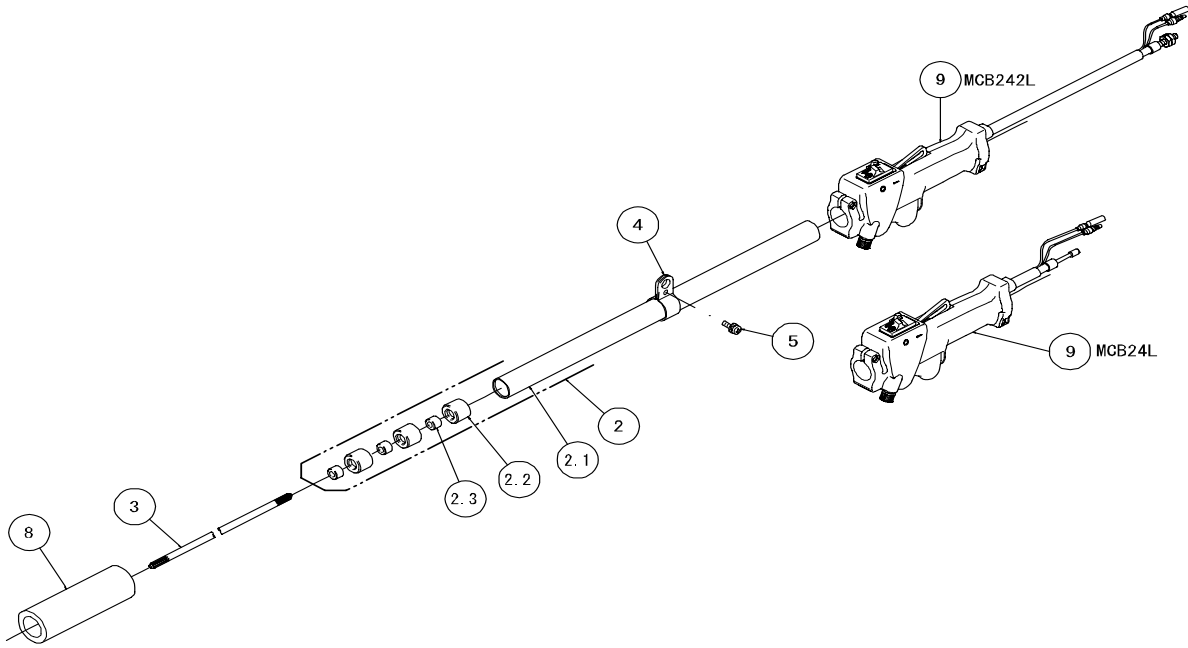


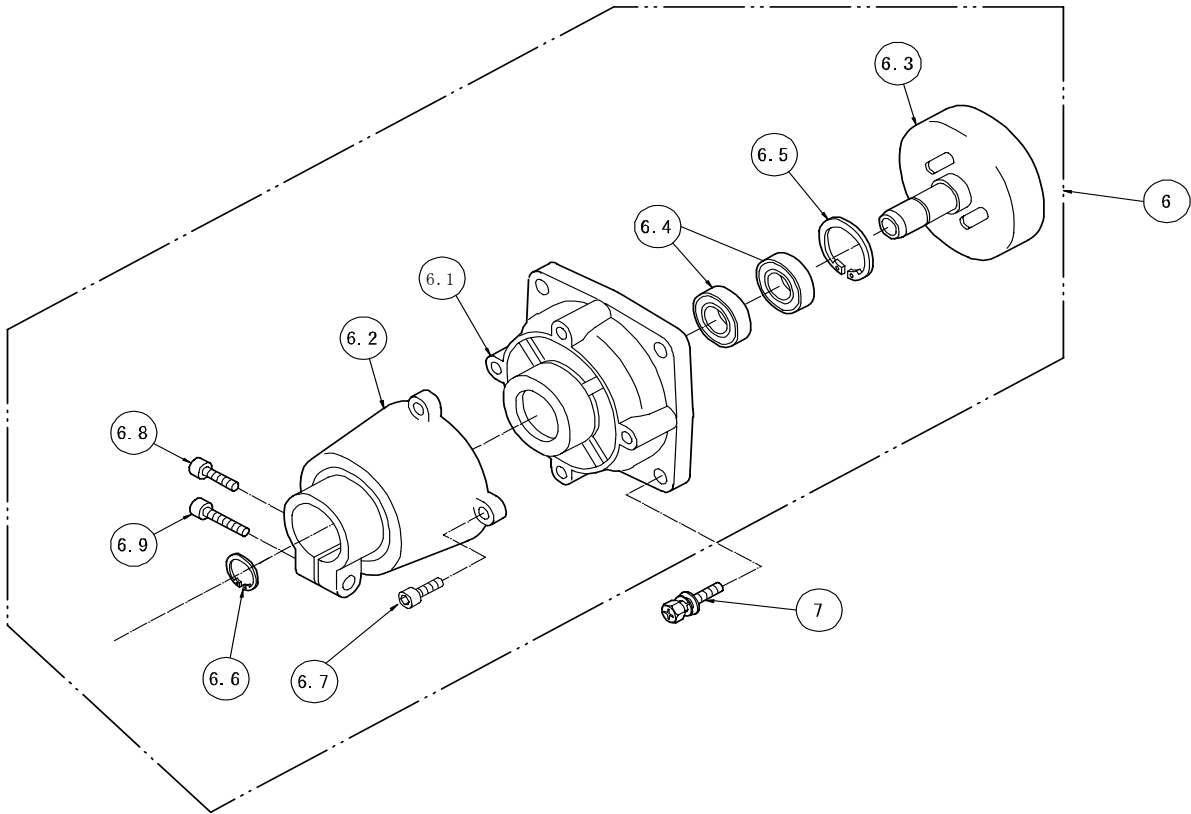
REF No.	CODE	NAME	QTY	
			MCB24L	MCB242L
1	800202926	CONNECTOR ASS'Y	1	1
2	800202932	DRIVE SHAFT HOUSING ASS'Y	1	1
3	801694337	DRIVE SHAFT	1	1
4	800200000	HANGER STRAP STEM	1	1
5	800200001	SCREW	1	1
6	800200544	CLUTCH CASE ASS'Y	1	1
7	800200011	BOLT	4	4
8	800201090	GRIP	1	1
9	801685470	THROTTLE LEVER ASS'Y	1	
	801695882	THROTTLE LEVER ASS'Y		1
10	800201168	LABEL	1	1
11	800200019	LABEL	1	1
13	801667186	HARNESS ASSY	1	1
14	801688381	EYE PROTECTOR	1	1
15	800200023	SPANNER	1	1
16	800200022	SPANNER	1	1
17	801689042	SPANNER	1	1
18	800200113	SPANNER		1
19	800200111	CORD ASS'Y		1
20	800200034	SCREW		1
21	800200025	BAG	1	1
22	800200026	BAG	1	1



REF No.	CODE	NAME	QTY	
			MCB24L	MCB242L
1	800202926	CONNECTOR ASS'Y	1	1
1,1	800200797	CONNECTOR	1	1
1,2	800202927	BEARING	2	2
1,3	800203616	CONNECTOR ASS'Y	1	1
1.4	800200540	STOP RING	1	1
1.5	800200796	KNOB	1	1
1.6	800202852	CAP	1	1
1.7	800202976	KNOB PIN	1	1
1.8	801694339	STOP RING	1	1
1.9	800202930	SPRING	1	1
1.10	800202931	BOLT	1	1
1.11	801676323	NUT	1	1
1.13	800200034	SCREW	1	1
1.14	800200035	BOLT	1	1



REF No.	CODE	NAME	QTY	
			MCB24L	MCB242L
2	800202932	DRIVE SHAFT HOUSING ASS'Y	1	1
2.1	800202933	DRIVE SHAFT HOUSING	1	1
2.2	801675694	METAL CUSHION	3	3
2.3	801675695	OIL METAL	3	3
3	801694337	DRIVE SHAFT	1	1
4	800200000	HANGER STRAP STEM	1	1
5	800200001	SCREW	1	1
8	800201090	GRIP	1	1
9	801685470	THROTTLE LEVER ASS'Y	1	
	801695882	THROTTLE LEVER ASS'Y		1



REF No.	CODE	NAME	QTY	
			MCB24L	MCB242L
6	800200544	CLUTCH CASE ASS' Y	1	1
6.1	800200497	CLUTCH CASE	1	1
6.2	800200501	CLUTCH CASE ASS' Y	1	1
6.3	800200538	CLUTCH DRUM	1	1
6.4	801676309	BEARING	2	2
6.5	800200539	STOP RING	1	1
6.6	800200540	STOP RING	1	1
6.7	800200541	CAP BOLT	4	4
6.8	800200542	CAP BOLT	1	1
6.9	800200543	CAP BOLT	1	1
7	800200011	BOLT	4	4