

REPAIR PARTS MANUAL
MODEL NO. LZ145H97RBK (96061029900)
Lawn Tractor

LAZER[®]

HOW TO USE THIS MANUAL

This manual is designed to provide the customer with a means to identify the parts on his/her tractor when ordering repair parts. The illustrations may or may not represent the actual assemblies; therefore, it is not recommended to use this manual as a guide to assemble or disassemble the tractor. Some hardware and parts are drawn larger in order to more readily identify them.

Each tractor has its own model number.

The model number for your tractor can be found on the fender under the seat.

When ordering parts, always give the following information:

- Product - “Tractor”
- Model Number - “LZ145H97RBK (96061029900)”
- Part Number
- Part Description

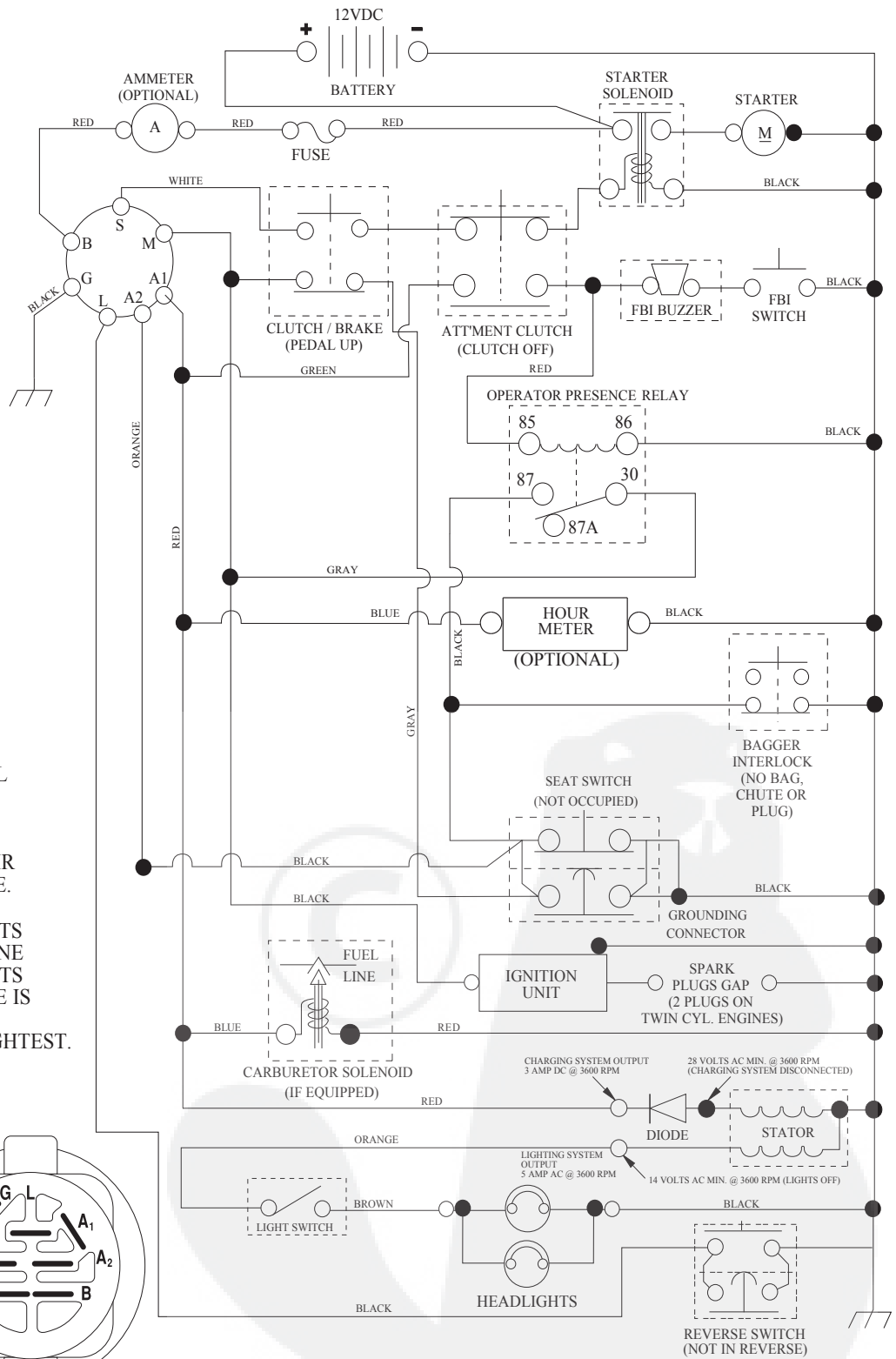
TABLE OF CONTENTS

SCHEMATIC	3
ELECTRICAL.....	4-5
CHASSIS AND ENCLOSURES.....	6-7
DRIVE.....	8-9
STEERING ASSEMBLY.....	10-11
SEAT	12
DECALS.....	13
ENGINE.....	14-15
MOWER	16-17
BAGGER.....	18-19
MOWER LIFT.....	20
WARRANTY	BACK COVER

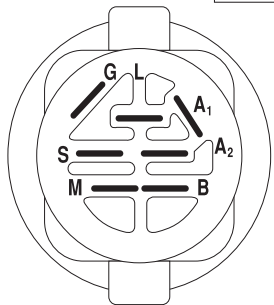
REPAIR PARTS

TRACTOR- -MODEL NO. LZ145H97RBK (96061029900), PRODUCT NO. 960 61 02-99 SCHEMATIC

SCH08



NOTE
YOUR TRACTOR IS EQUIPPED WITH A SPECIAL ALTERNATOR SYSTEM. THE LIGHTS ARE NOT CONNECTED TO THE BATTERY, BUT HAVE THEIR OWN ELECTRICAL SOURCE. BECAUSE OF THIS, THE BRIGHTNESS OF THE LIGHTS WILL CHANGE WITH ENGINE SPEED. AT IDLE THE LIGHTS WILL DIM. AS THE ENGINE IS SPEEDED UP, THE LIGHTS WILL BECOME THEIR BRIGHTEST.

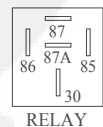


IGNITION SWITCH

POSITION	CIRCUIT	"MAKE"
OFF	M+G+A1	
RUN/OVERRIDE	B+A1	
RUN	B+A1	L+A2
START	B + S + A1	

WIRING INSULATED CLIPS
NOTE: IF WIRING INSULATED CLIPS WERE REMOVED FOR SERVICING OF UNIT, THEY SHOULD BE RE-INSTALLED TO PROPERLY SECURE YOUR WIRING.

REMOVABLE CONNECTIONS
NON-REMOVABLE CONNECTIONS



REPAIR PARTS

TRACTOR- -MODEL NO. LZ145H97RBK (96061029900), PRODUCT NO. 960 61 02-99
ELECTRICAL

KEY NO.	PART NO.	DESCRIPTION
1	532 16 34-65	Battery
2	874 76 04-12	Bolt Hex Hd. 1/4-20 unc x 3/4
16	532 17 61-38	Switch Interlock
21	532 18 37-59	Harness Asm. Light w/4152J
22	532 00 41-52	Bulb Light #1156
24	532 42 12-99	Cable Starter 6 Ga. 11" Red
25	532 16 59-87	Cable Battery CRD 56" Red
26	532 17 51-58	Fuse
27	873 51 04-00	Nut Keps Hex 1/4-20 unc
28	532 12 77-25	Cable Ground 6 Ga. 18" Black
29	532 19 27-49	Switch Seat
30	532 19 33-50	Switch Ignition
33	532 41 19-35	Key/Chain
34	532 11 07-12	Switch Light/Reset B/B/Red
40	532 19 74-36	Harness Ignition
41	871 11 04-08	Bolt Flk. Fin. Hex 1/4-20 unc x 1/2
42	532 13 15-63	Cover Terminal Red
43	532 19 25-07	Solenoid
48	532 14 08-44	Adapter Ammeter Rectangular
58	532 16 94-19	Buzzer CRD
59	532 18 03-79	Switch FBI CRD
66	817 49 06-08	Screw Thdrol. 3/8-16 x 1/2 Ty-Tt
79	532 17 52-42	Socket Asm. Bulb
81	532 10 97-48	Relay Asm.
92	532 19 66-15	Harness Pigtail Console ROS
93	532 19 25-40	Screw Plastite 10-14 x 2.0
94	532 19 18-34	Module Reverse ROS

NOTE: All component dimensions given in U.S. inches.
1 inch = 25.4 mm.

REPAIR PARTS

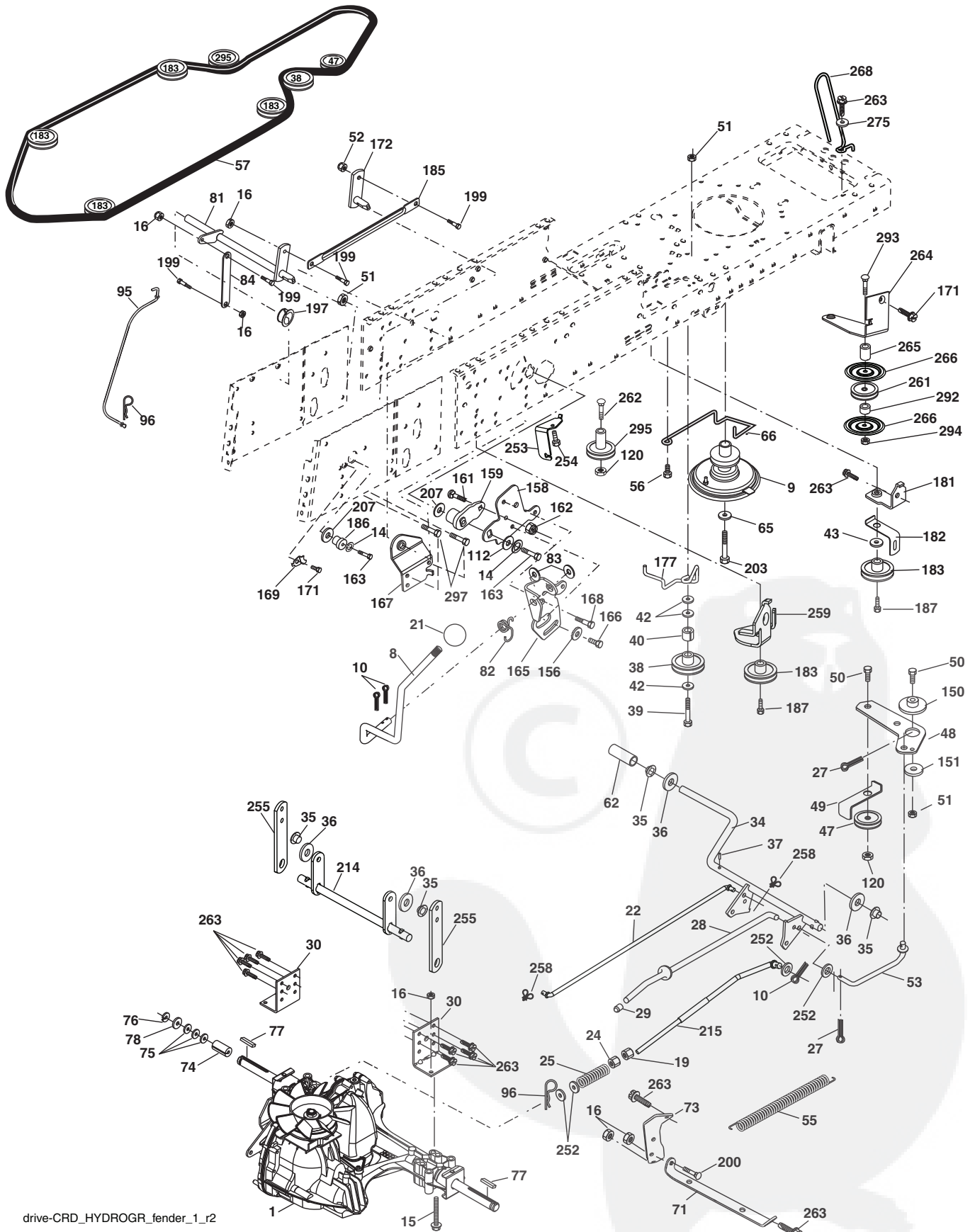
TRACTOR- -MODEL NO. LZ145H97RBK (96061029900), PRODUCT NO. 960 61 02-99
CHASSIS AND ENCLOSURES

KEY NO.	PART NO.	DESCRIPTION	KEY NO.	PART NO.	DESCRIPTION
1	532 17 46-20	Chassis	163	532 18 03-83	Bracket Exten. Chassis RH CRD
2	532 18 03-84	Drawbar	164	532 16 56-05	Support Battery CRD
3	817 06 06-12	Screw 3/8-16 x 3/4	165	532 18 13-56	Cover Battery
5	532 15 52-72	Bumper Hood/Dash	170	532 19 94-88	Backplate CRD
6	532 18 44-19	Saddle	171	872 14 06-20	Bolt Rdhd. Sqnk. 3/8-16 x 2-1/2 Gr. 5
8	532 12 64-71	Clip Insulator 13/32 Mtg. Hole	172	819 13 20-16	Washer 13/32 x 1-1/4 x 16 Ga.
9	532 19 46-88	Dash	173	873 51 06-00	Nut, Keps Hex 3/8-16 unc
10	872 14 06-08	Bolt, Carriage 3/8-16 x 3/4	175	532 18 82-03	Door Trap
11	532 17 49-96	Panel, Dash, LH	179	532 18 82-02	Rod Pivot FBI CRD
13	532 18 69-52	Panel, Asm. Dash RH	184	532 17 46-62	Bracket Actuator Bagger CRD
15	874 18 05-12	Screw, Machine, Truss Head 5/16-18 unc x 3/4	185	532 18 11-01	Knob Rod Brake Parking
16	873 51 05-00	Nut	186	532 16 07-93	Latch Asm. Mulch/Bagger
17	532 18 67-07	Hood	187	532 12 50-04	Nut Weld
18	532 18 49-21	Bumper Hood	188	819 06 12-16	Washer #10
24	874 78 06-16	Bolt	189	810 07 10-00	Washer Lock #10
25	819 13 13-12	Washer 13/32 x 13/16 x 12 Ga.	190	871 08 10-10	Screw Pan Hd. Phillip 10-24 x 5/8
26	873 80 06-00	Nut	198	532 16 89-37	Nut, Push
28	532 18 38-26	Grille/Lens Asm. (Includes #'s 29 and 212)	205	817 49 06-08	Screw Thdrol. 3/8-16 x 1/2
29	532 18 98-37	Lens, Grille	207	817 67 05-08	Screw Thdrol. 5/16-18 x 1/2
30	532 19 73-44	Fender	208	817 67 06-08	Screw Thdrol. 3/8-16 x 1/2
31	532 16 51-56	Bracket, Fender Support	209	817 00 06-12	Screw Hex Wsh. Thdrol. 3/8-16
33	532 18 11-93	Footrest, LH	212	532 18 38-23	Insert Lens Reflective
34	532 18 11-94	Footrest, RH	256	532 18 13-61	Cover Fender Rack
35	872 11 06-06	Bolt	265	532 18 57-04	Seal RH Side Bagger
37	817 49 05-08	Screw Thdrol. 5/16-18 x 1/2 TYT	266	532 18 57-03	Seal LH Side Bagger
38	532 18 17-48	Bracket Asm. Pivot Mower Rear	278	532 41 63-58	Screw #10 x 0.750
39	532 40 78-07	Bracket Pivot	--	532 00 54-79	Plug
69	532 14 24-32	Screw Hx. Wsh. Hi-Lo 1/4-1/2			
89	532 19 73-66	Console CRD Auto			
145	532 40 91-67	Rod Pivot/Hood			
162	532 18 03-82	Bracket Exten. Chassis LH CRD			

NOTE: All component dimensions given in U.S. inches.
1 inch = 25.4 mm.

REPAIR PARTS

TRACTOR- -MODEL NO. LZ145H97RBK (96061029900), PRODUCT NO. 960 61 02-99
DRIVE



drive-CRD_HYDROGR_fender_1_r2

REPAIR PARTS

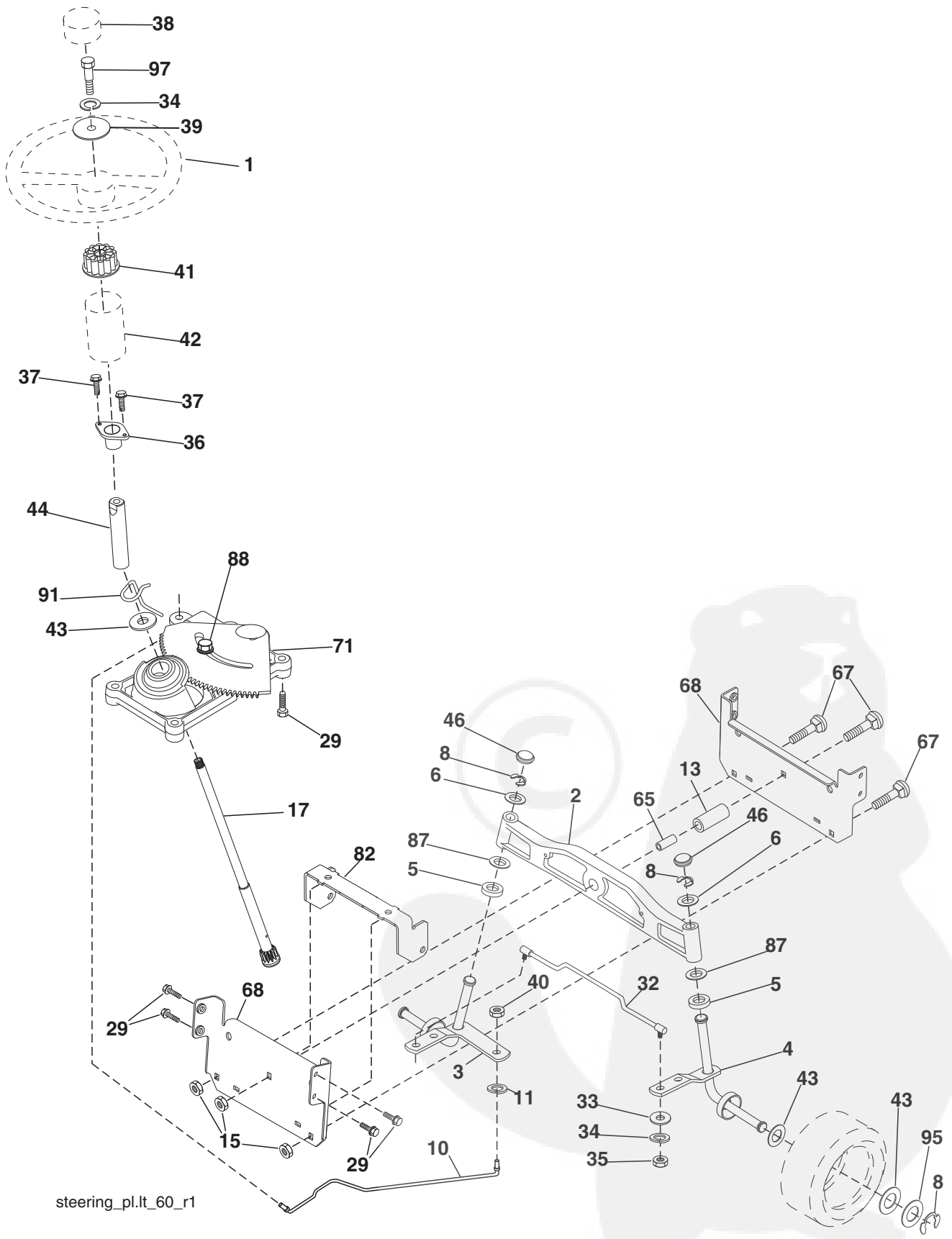
TRACTOR- -MODEL NO. LZ145H97RBK (96061029900), PRODUCT NO. 960 61 02-99
DRIVE

KEY NO.	PART NO.	DESCRIPTION	KEY NO.	PART NO.	DESCRIPTION
1	-----	Transaxle Hydro Gear 321-0510	150	532 16 58-50	Bushing, Bellcrank Grnd. Dr.
8	532 19 27-06	Rod, Shift Fender	151	819 13 32-10	Washer 13/32 x 2 x 10 Ga.
9	532 40 85-79	Clutch Asm. Noram	156	532 16 60-02	Washer Srrted. 5/16 ID x 1.125
10	876 02 04-16	Pin, Cotter 1/8 x 1	158	532 16 55-89	Bracket Shift Mount
14	810 04 04-00	Washer, Lock Hvy. Helical	159	532 18 39-00	Hub Shift
15	874 49 05-44	Bolt Hex FGHD 5/16-18 x Gr. 5	161	872 14 04-06	Bolt Rdhd. Sqnk. 1/4-20 x 3/4 Gr. 5
16	873 80 05-00	Nut Lock Hex w/Ins. 5/16-18 unc	162	873 68 04-00	Nut Crownlock 1/4-20 unc
19	873 80 06-00	Nut Lock Hex w/Ins. 3/8-16 unc	163	874 78 04-16	Bolt Hex Fin. 1/4-20 unc x 1 Gr. 5
21	532 13 05-64	Knob	165	532 16 56-23	Bracket Pivot Lever
22	532 17 56-07	Rod, Brake	166	817 49 05-10	Screw 5/16-18 x 5/8
24	873 35 06-00	Nut	167	532 16 55-88	Bracket Support Shift CRD
25	532 19 20-36	Spring, Rod, Brake	168	532 16 54-92	Bolt Shoulder 5/16-18 x .561
27	876 02 04-12	Pin, Cotter 1/8 x 3/4	169	532 16 55-80	Plate Fastening Lt.
28	532 17 57-65	Rod, Parking Brake	171	817 49 06-08	Screw Thdrol. 3/8-16 x 1/2 Ty-Tt
29	532 07 16-73	Cap, Parking Brake	172	532 17 02-71	Shaft Asm. Shifter Frt. CRD
30	532 16 95-92	Bracket, Mfg. Transaxle	177	532 16 59-32	Keeper Flat Idler 3.06" CRD
34	532 17 55-78	Shaft, Asm. Pedal Foot CRD	181	532 18 02-11	Bracket Idler Ground Drive CRD
35	532 12 01-83	Bearing, Nylon	182	532 18 26-82	Keeper Belt 2.5" OD V-Idler CRD
36	819 21 16-16	Washer 21/32 x 1 x 16 Ga.	183	532 19 95-34	Pulley V-Idler CRD
37	532 12 49-63	Pin, Roll 3/16 x 1"	185	532 17 00-08	Link Shift
38	532 16 59-36	Pulley Flat Composite 3.06"	186	532 16 56-14	Hub Tapered Round CRD
39	874 76 06-44	Bolt Fin. Hex 3/8-16 unc x 2-3/4	187	817 58 05-20	Screw Thdrol. 5/16-18 x 1.25
40	532 12 49-65	Spacer, Split 395 x 59 Bzp.	197	532 16 96-13	Nyliner Snap-In 5/8
42	819 13 13-12	Washer 13/32 x 13/16 x 12 Ga.	199	532 16 96-12	Bolt Shoulder 5/16-18 unc
43	819 11 10-12	Washer 11/32 x 5/8 x 12 Ga.	200	872 14 05-08	Bolt Rdhd. Sqnk. 5/16-18 x 1
47	532 12 77-83	Pulley, Idler, V Groove Plastic	203	871 17 07-80	Bolt Hex 7/16-20 x 5
48	532 15 44-07	Bellcrank Clutch Grnd. Drv.	207	532 16 98-45	Washer Nylon Rear
49	532 12 32-05	Retainer, Belt Style Spring	214	532 17 56-09	Shaft Asm. Brake
50	872 11 06-12	Bolt 3/8-16 x 1-1/2 Gr. 5	215	532 17 56-52	Rod Brake Hydro
51	873 68 06-00	Nut, Crownlock 3/8-16 unc	252	819 13 16-16	Washer 13/32 x 1 x 16 Ga.
52	873 68 05-00	Nut Crownlock 5/16-18	253	532 17 50-28	Bracket Cable Chassis
53	532 19 96-52	Link, Clutch 7.66	254	817 00 06-16	Screw 3/8-16 x 1
55	532 10 57-09	Spring, Return, Clutch	255	532 17 56-08	Brace Shaft Brake Mtg.
56	817 06 06-20	Screw 3/8-16 x 1-1/4	258	532 17 80-62	Clip Retainer
57	532 17 01-40	V-Belt Kev 112" 0650 CRD	259	532 18 02-12	Bracket Pulley
62	532 12 48-72	Cover, Pedal	261	532 13 14-94	Pulley Idler
65	810 04 07-00	Washer	262	872 11 06-22	Bolt Rdhd. 3/8-16 unc x 2-3/4 Gr. 5
66	532 15 47-78	Keeper, Belt Engine F-Proof	263	817 00 06-12	Screw 3/8-16 x 3/4
71	532 16 91-83	Strap, Torque, LH	264	532 43 11-74	Bracket Idler
73	532 16 91-82	Strap, Torque, RH	265	532 40 46-07	Spacer Idler Chassis
74	532 13 70-57	Spacer, Split	266	532 18 20-61	Shield Idler Mower
75	532 12 17-49	Washer 25/32 x 1-1/4 x 16 Ga.	268	532 18 24-02	Guard Muffler
76	812 00 00-01	Ring, E	275	819 13 16-14	Washer 13/32 x 1 x 14 Ga.
77	532 12 35-83	Key, Square	292	532 40 02-71	Spacer Noram
78	532 12 17-48	Washer 25/32 x 1-5/8 x 16 Ga.	293	872 14 06-28	Bolt Rdhd. Sqnk. 3/8-16 x 3-1/2
81	532 17 00-06	Asm, Shaft, Cross Rear	294	532 19 70-33	Nut Jam
82	532 16 57-11	Spring, Torsion	295	532 17 91-14	Pulley Idler Composite
83	819 17 12-16	Washer 17/32 x 3/4 x 16 Ga.	297	817 49 06-10	Screw Hx wsh 3/8-16 x 5/8
84	532 17 00-07	Link, Transaxle			
95	532 17 00-15	Control Asm. Bypass Hydro			
96	532 12 47-88	Spring, Retainer 1"			
112	819 09 12-10	Washer 9/32 x 3/4 x 10 Ga.			
120	873 90 06-00	Nut Lock Flg. 3/8-16 unc			

NOTE: All component dimensions given in U.S. inches
1 inch = 25.4 mm

REPAIR PARTS

TRACTOR- -MODEL NO. LZ145H97RBK (96061029900), PRODUCT NO. 960 61 02-99
STEERING ASSEMBLY



steering_pl.lt_60_r1

REPAIR PARTS

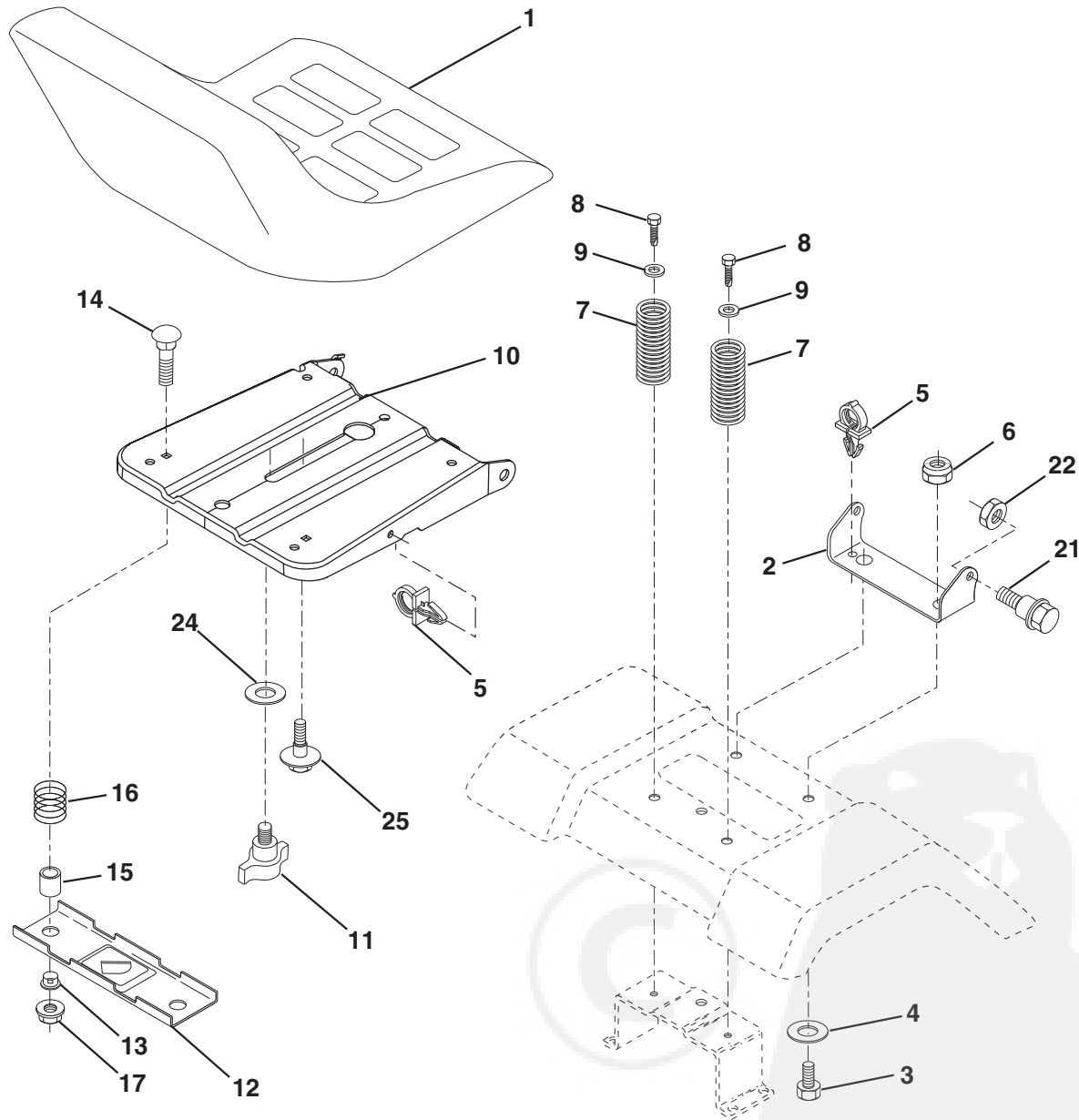
TRACTOR- -MODEL NO. LZ145H97RBK (96061029900), PRODUCT NO. 960 61 02-99
STEERING ASSEMBLY

KEY NO.	PART NO.	DESCRIPTION
1	532 42 41-46	Steering Wheel
2	532 18 47-06	Front Axle Assembly
3	532 16 98-40	Spindle Assembly, LH
4	532 16 98-39	Spindle Assembly, RH
5	532 12 49-31	Bearing, Race, Thrust, Hardened
6	532 12 17-48	Washer 25/32 x 1-5/8 x 16 Ga.
8	812 00 00-29	Ring, Clip
10	532 17 51-21	Link, Drag
11	810 04 06-00	Washer, Lock
13	532 13 65-18	Spacer Axle
15	532 14 52-12	Nut Hex Flange Lock
17	532 19 07-53	Shaft Assembly, Steering
29	817 00 06-12	Screw 3/8-16 x 3/4
32	532 17 01-62	Rod, Tie
33	819 11 12-16	Washer 11/32 x 3/4 x 16 Ga.
34	810 04 05-00	Washer Lock Hvy. Hlcl. Spr. 5/16
35	873 54 05-00	Crownlock Nut 5/16-24 unf
36	532 15 50-99	Bushing, Steering
37	532 15 29-27	Screw TT #10-32 x 5 x 3/8 Flange
38	532 42 46-91	Cap Wheel Steering
39	819 11 38-12	Washer 11/32 ID x 2-3/8 OD x 12 Ga.
40	873 54 06-00	Nut Crownlock 3/8-24
41	532 18 67-37	Adaptor, Steering Wheel
42	532 16 96-33	Boot, Steering Dash P/L Mtl.
43	532 12 17-49	Washer 25/32 x 1-1/4 x 16 Ga.
44	532 19 07-52	Extension Steering
46	532 12 12-32	Cap, Spindle
65	532 41 47-36	Spacer Axle
67	872 11 06-18	Bolt Rdhd. Sq. 3/8-16 x 2-1/4
68	532 16 98-27	Brace Axle
71	532 17 51-46	Steering Asm.
82	532 19 99-78	Bracket Susp. Chassis Front
87	532 17 39-66	Washer Flat .781 x 1-1/2 x .14
88	532 17 51-18	Bolt Shoulder 7/16-20 unc
91	532 17 55-53	Clip Steering
95	532 18 89-67	Washer Hardened
97	532 42 89-82	Bolt Fin Hx 5/16-18 x 4

NOTE: All component dimensions given in U.S. inches.
1 inch = 25.4 mm.

REPAIR PARTS

TRACTOR- -MODEL NO. LZ145H97RBK (96061029900), PRODUCT NO. 960 61 02-99
SEAT ASSEMBLY



seat_lt.knob_13

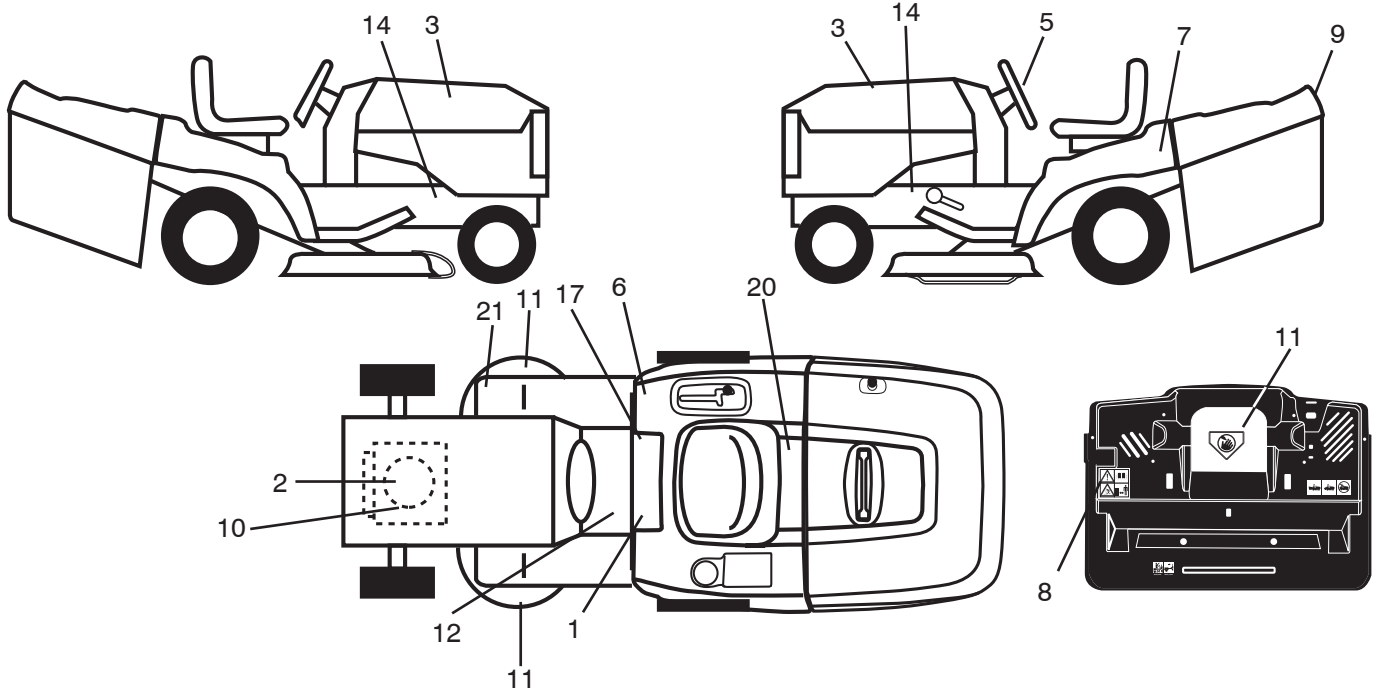
KEY NO.	PART NO.	DESCRIPTION
1	532 40 10-42	Seat
2	532 14 05-51	Bracket Pnt. Pivot Fender
3	871 11 06-16	Bolt Fin. Hex 3/8-16 x 1
4	819 13 16-10	Washer Flat 13/32 x 1 x 10 Ga.
5	532 14 50-06	Clip Push In Hinged
6	873 80 06-00	Nut Lock Hex w/Ins. 3/8-16
7	532 12 41-81	Spring Seat Cprsn. 2 250 Blk. Zi.
8	817 00 06-16	Screw 3/8-16 x 1.5
9	819 13 16-14	Washer 13/32 x 1 x 14 Ga.
10	532 19 55-30	Pan Pnt. Seat (Blk.)
11	532 16 63-69	Knob Seat
12	532 17 46-48	Bracket Pnt. Mounting Switch
13	532 12 12-48	Bushing Snap Blk. Nyl. 50 Id.

KEY NO.	PART NO.	DESCRIPTION
14	872 05 04-12	Bolt Rdhd. Sht. Nk. 1/4-20 x 1-1/2
15	532 13 43-00	Spacer Split
16	532 12 12-50	Spring Cprsn.
17	532 12 39-76	Nut Lock 1/4 Lge. Fig. Gr. 5 Zinc
21	532 17 18-52	Bolt Shoulder 5/16-18 unc-2A
22	873 80 05-00	Nut Hex Lock w/Ins. 5/16-18
24	819 17 19-12	Washer 17/32 x 1-3/16 x 12 Ga.
25	532 12 70-18	Bolt Shoulder 5/16-18 x 62

NOTE: All component dimensions given in U.S. inches.
1 inch = 25.4 mm

REPAIR PARTS

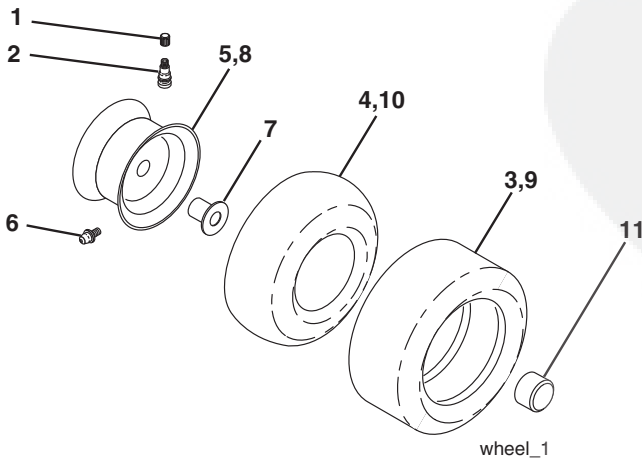
TRACTOR- -MODEL NO. LZ145H97RBK (96061029900), PRODUCT NO. 960 61 02-99
DECALS



KEY NO.	PART NO.	DESCRIPTION
1	532 40 03-89	Decal, Warning Syms. CE
2	532 43 10-94	Decal, Hp. Engine
3	532 43 34-28	Decal, Hood RH/LH
5	532 43 35-14	Decal, Wheel Steering
6	532 18 04-32	Decal, 100 DBA
7	532 14 50-05	Decal, Bat. Dan./Poi.
8	532 18 04-35	Decal, Rear Plate
9	532 43 35-13	Decal, Fender
10	532 19 68-41	Decal, Warning Eng. Syms.
11	532 18 21-66	Decal, Mower Cutfinger Symbol
12	532 15 97-37	Decal, Brake/Clutch Symbol Lt.

KEY NO.	PART NO.	DESCRIPTION
14	532 15 97-36	Decal, Chassis Hot Muffler
17	532 14 08-37	Decal, Saddle Brake Parking
20	532 16 69-60	Decal, Bypass Fender CRD
21	532 16 62-86	Decal, Hex Belt Sch. 92 CRD
--	532 13 83-11	Decal, Lift Handle
--	532 18 10-90	Pad Footrest RH
--	532 18 10-91	Pad Footrest LH
--	532 43 27-43	Manual Operator's (Euro)
--	532 43 33-28	Manual Parts

WHEELS & TIRES

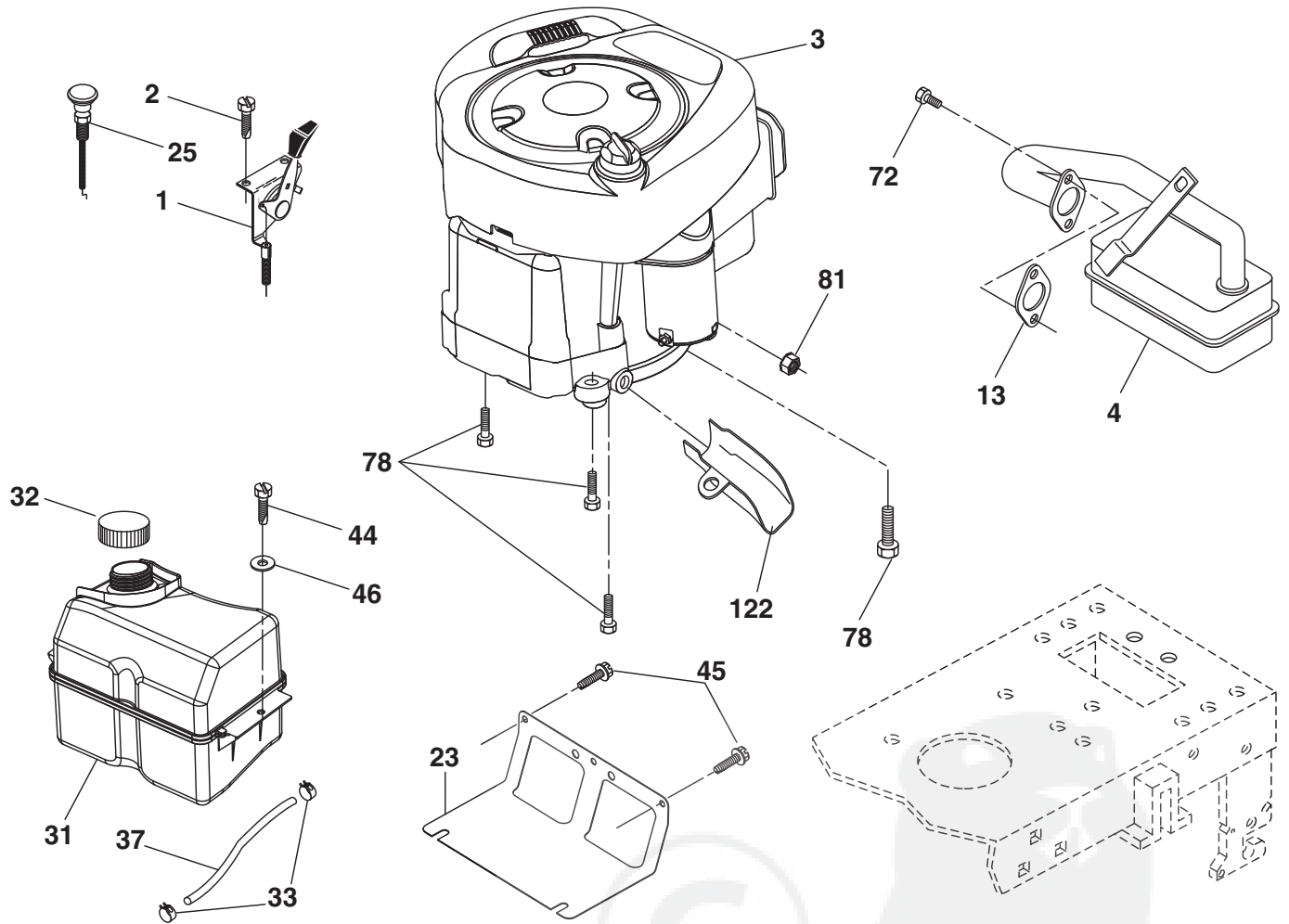


KEY NO.	PART NO.	DESCRIPTION
1	532 05 91-92	Cap Valve Tire
2	532 06 51-39	Stem Valve
3	532 10 62-22	Tire F Ts 15 x 6 0 - 6 Service
4	532 05 99-04	Tube Inner Front #35060
5	532 18 33-37	Rim Asm. 6" Front White Service
6	532 12 49-57	Fitting Grease
7	532 12 49-59	Bearing Flange
8	532 18 33-38	Rim Asm. 8" Rear White Service
9	532 12 20-82	Tire R Ts 20 x 10-8 Service
10	532 12 49-26	Tube Rear 9 5 x 8 Service
11	532 17 50-39	Cap Axle Blk. 1 50 x 1 00
--	532 14 43-34	Sealant, Tire (10 oz. Tube)

NOTE: All component dimensions given in U.S. inches
1 inch = 25.4 mm

REPAIR PARTS

TRACTOR- -MODEL NO. LZ145H97RBK (96061029900), PRODUCT NO. 960 61 02-99
ENGINE



29

OPTIONAL EQUIPMENT

Spark Arrester

engine-CRD_bs_20

REPAIR PARTS

TRACTOR- -MODEL NO. LZ145H97RBK (96061029900), PRODUCT NO. 960 61 02-99
ENGINE

KEY NO.	PART NO.	DESCRIPTION
1	532 17 05-51	Control Throt./Ck.
2	817 72 04-08	Screw Hex Thd. Cut. 1/4-20 x 1/2
3	-----	Engine B&S Model 31A507-1391-B1
4	532 13 73-52	Muffler
13	532 16 52-91	Gasket Muffler
23	532 16 98-37	Shield Brn./Dbr. Guard
25	532 19 06-95	Control Choke
29	532 13 71-80	Kit Spark Arrester (Flat Scrn.)
31	532 40 75-51	Tank Fuel 2.00
32	532 43 02-20	Cap Asm. Fuel Top
33	532 12 34-87	Clamp Hose Blk.
37	532 13 70-40	Line Fuel
44	817 67 04-12	Screw Hex Wsh. Thdrol. 1/4-20 x 3/4
45	817 00 06-12	Screw Hex Wsh. Thdrol. 3/8-16 x 3/4
46	819 09 14-16	Washer 9/32 x 7/8 x 16 Ga.
72	532 19 23-34	Screw Socket Head 5/16-18 x .75
78	817 06 06-20	Screw 3/8-16 x 1/4
81	873 51 04-00	Nut Keps Hex 1/4-20 unc
122	532 42 19-22	Extension Drain Oil

NOTE: All component dimensions given in U.S. inches
1 inch = 25.4 mm

Engine Power Rating Information

The gross power rating for individual gas engine models is labeled in accordance with SAE (Society of Automotive Engineers) code J1940 (Small Engine Power & Torque Rating Procedure), and rating performance has been obtained and corrected in accordance with SAE J1995 (Revision 2002-05). Torque values are derived at 3060 RPM; horsepower values are derived at 3600 RPM. Actual gross engine power will be lower and is affected by, among other things, ambient operating conditions and engine-to-engine variability. Given both the wide array of products on which engines are placed and the variety of environmental issues applicable to operating the equipment, the gas engine will not develop the rated gross power when used in a given piece of power equipment (actual "on-site" or net power). This difference is due to a variety of factors including, but not limited to, accessories (air cleaner, exhaust, charging, cooling, carburetor, fuel pump, etc.), application limitations, ambient operating conditions (temperature, humidity, altitude), and engine-to-engine variability. Due to manufacturing and capacity limitations, Briggs & Stratton may substitute an engine of higher rated power for this Series engine.

REPAIR PARTS

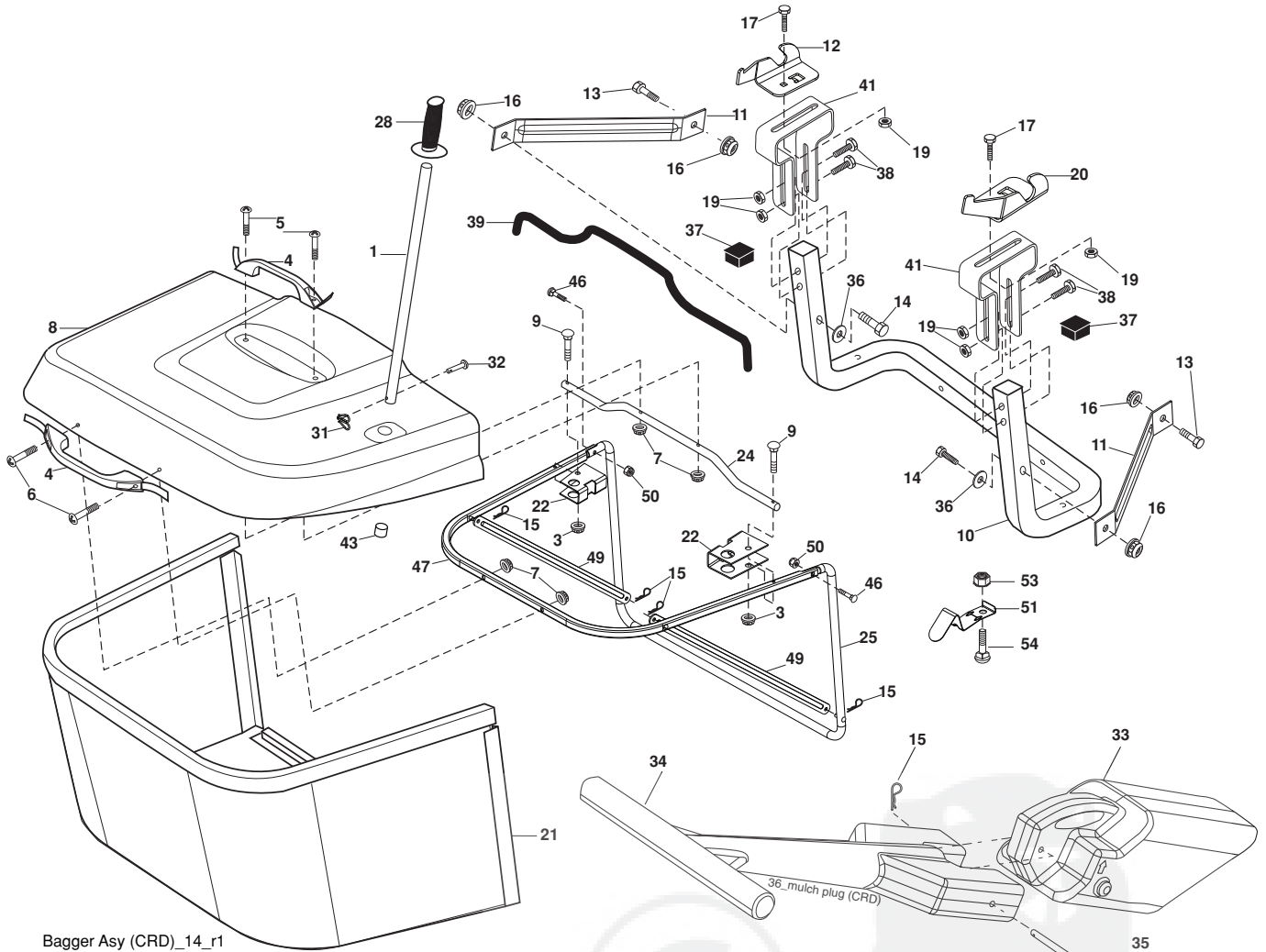
TRACTOR- -MODEL NO. LZ145H97RBK (96061029900), PRODUCT NO. 960 61 02-99
MOWER

KEY NO.	PART NO.	DESCRIPTION	KEY NO.	PART NO.	DESCRIPTION
1	532 42 91-21	Housing Asm. Mower	67	532 10 69-32	Knob
3	532 43 18-64	Bracket Asm. S-Bar Chass	68	532 42 95-32	Belt, Drive
5	532 12 46-70	Retainer Spring	69	532 16 54-82	Shaft Asm w/Lwr Brg RH Thd
6	532 16 55-57	Bar Sway	84	532 15 60-85	Keeper Belt Idler
8	532 18 17-12	Bolt 3/8-24 x 1.25 Gr. 8 Patched	116	532 19 34-06	Bolt Shoulder
9	810 03 06-00	Washer Lock Hvy 3/8 Unplated	117	532 17 48-73	Wheel Gauge
10	532 14 02-96	Washer Hard Blade Mower Vented	119	819 13 20-12	Washer 13/32 x 1-1/4 x 12 Ga.
11	532 42 79-84	Blade 3-1 LH	124	872 11 06-12	Bolt Carr Sh 3/8-16 x 1-1/2 Gr. 5
13	532 13 76-45	Shaft Asm. w/Lower Bearing	131	532 16 56-61	Chute Bagger
14	532 12 87-74	Housing Mandrel Vented (Machd)	152	532 17 60-74	Cable Clutch CRD
15	532 11 04-85	Bearing Ball Mandrel	158	817 72 04-08	Screw Thd. Cut 1/4-20 x 1/2
16	532 42 79-85	Blade 3-1 RH	185	532 18 82-34	Head Asm. Cable Clutch
17	872 14 06-10	Bolt Carriage 3/8-16 x 1-1/4	260	817 67 06-08	Screw 3/8-16 x 1/2
19	532 13 28-27	Bolt Shoulder 5/16-18 Thd Form	298	817 49 06-28	Screw 3/8-16 x 1-3/4
20	532 18 17-13	Bolt 3/8-24 x 1.25 Gr. 8 Ptch Lhthd	306	532 42 30-62	Palnut 1/4"
22	532 43 11-69	Bracket Idler Sprt	--	532 18 18-57	Mandrel Assembly (Includes housing, shaft assembly, and bearing only - pulley/nut/washer and blade bolt/washers not included)
27	532 42 79-81	Bracket Asm. Susp. Rear RH	--	532 18 18-58	Mandrel Asm CRD LH Threads SVC
30	532 17 39-84	Screw Thd Rolling	--	532 43 15-80	Replacement Mower, Complete (Std. Deck - Order separately gauge wheel components key nos. 116-119)
31	532 18 76-90	Washer Spacer Mower Vented			
32	532 15 35-32	Mandrel Pulleys			
33	532 40 02-34	Nut Flg Top Lock			
36	532 14 67-63	Pulley Idler V-Groove Dim 4.25			
40	873 68 06-00	Nut Crownlock 3/8-16 unc			
41	873 90 06-00	Nut Lock Flg. 3/8-16 unc			
44	532 43 11-70	Cover Mandrel LH			
45	532 42 91-66	Cover Mandrel RH			
46	532 13 77-29	Screw Thd Roll 1/4-20 x 5/8			
55	532 19 94-98	Arm Idler			
56	532 16 57-23	Spacer Retainer Mower			
61	532 19 94-86	Spring Tension Belt			

NOTE: All component dimensions given in U.S. inches
1 inch = 25.4 mm

REPAIR PARTS

TRACTOR- -MODEL NO. LZ145H97RBK (96061029900), PRODUCT NO. 960 61 02-99
BAGGER



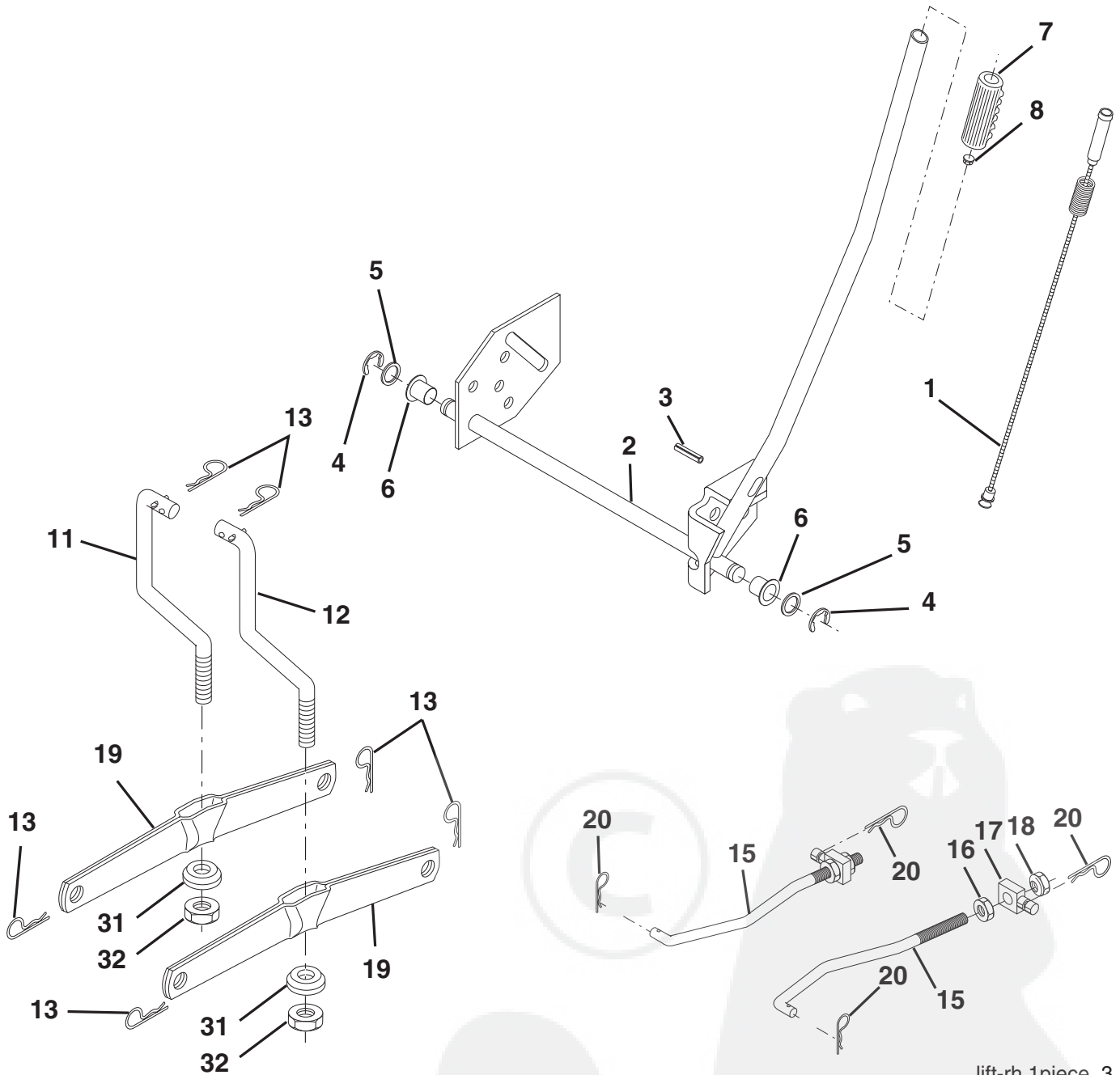
Bagger Asy (CRD)_14_r1

KEY NO.	PART NO.	DESCRIPTION	KEY NO.	PART NO.	DESCRIPTION
1	532 42 86-10	Tube Handle Bagger CRD	31	532 16 94-84	Retainer Clip
3	532 12 39-76	Nut Lock 1/4 Lge. Flg. Gr. 5 Zinc	32	532 12 68-75	Rivet Rd. Hd. Drilled 3/8 Dia
4	532 16 99-16	Handle Bagger w/Lvrs. Blk. CRD	33	532 42 86-83	Plug Mulch 97
5	874 98 10-24	Screw Pan Head #10-24 x 1.50 Blk.	34	532 16 55-70	Handle Mulcher
6	874 98 10-32	Screw Pan Hd.	35	532 16 55-72	Pin Mulcher
7	873 40 10-00	Nut Wiz Lock Hex Serr./Hd. 10-24	36	819 13 20-12	Washer 13/32 x 1-1/4 x 12 Ga.
8	532 18 13-54	Cover Bagger	37	532 17 54-01	Plug Support Bagger CRD
9	872 14 04-18	Bolt Carriage 1/4-20 x 2.25d x Gr. 5	38	872 01 05-20	Bolt 5/16-18 x 2-1/2
10	532 18 12-82	Tube Support Bagger CRD	39	532 41 62-57	Seal
11	532 16 57-19	Bracket Support Upper Bag CRD	41	532 43 27-55	Bracket Bagger SD Electric CRD
12	532 18 88-48	Bracket Pivot LH	43	532 17 40-83	Plug Tubing End
13	874 76 06-12	Bolt 3/8-16 unc x 3/4	46	872 11 05-10	Bolt Carr. 5/16-18 x 1-1/4 Gr. 5
14	874 52 06-36	Bolt Fin. Hex 3/8-16 x 2-1/4 Gr. 5	47	532 19 37-04	Tube Upper Bagger
15	532 12 46-70	Retainer Spring	49	532 19 33-05	Bar Spreader Bagger
16	873 90 06-00	Nut Lock Flg. 3/8-16 unc	50	873 80 05-00	Nut Lock Hex w/Ins. 5/16-18 unc
17	872 14 05-06	Bolt Rdhd. Sht. Sqnk. 5/16 -18 unc x 3/4	51	532 19 99-03	Latch Spring Bagger
19	873 90 05-00	Nut Lock Hex Flange 5/16-18	53	873 51 04-00	Nut Keps Hex 1/4-20 unc
20	532 18 88-47	Bracket Pivot RH	54	872 14 04-06	Bolt Rdhd. Sqnk. 1/4-20 x 3/4 Gr. 5
21	532 40 61-80	Bag Asm. CRD			
22	532 16 57-81	Bracket Side Bagger CRD			
24	532 16 57-83	Tube Pivot Bagger CRD			
25	532 19 37-05	Tube Front Bagger			
28	532 16 57-87	Grip Handle			

NOTE: All component dimensions given in U.S. inches
1 inch = 25.4 mm

REPAIR PARTS

TRACTOR- -MODEL NO. LZ145H97RBK (96061029900), PRODUCT NO. 960 61 02-99
MOWER LIFT



lift-rh.1piece_3

KEY NO.	PART NO.	DESCRIPTION
1	532 40 50-07	Plunger Asm. Lift Lever
2	532 19 80-70	Shaft Asm. Lift
3	532 18 88-22	Pin Groove
4	812 00 00-02	E Ring #5133-62
5	819 21 16-21	Washer 21/32 x 1 x 21 Ga.
6	532 12 01-83	Bearing Nylon
7	532 10 94-13	Grip Handle Bicycle
8	532 12 45-26	Button Plunger
11	532 13 98-65	Link Asm. Lift LH
12	532 13 98-66	Link Asm. Lift RH
13	532 12 46-70	Retainer Spring

KEY NO.	PART NO.	DESCRIPTION
15	532 17 32-88	Link Front
16	873 35 08-00	Nut Jam Hex 1/2-13 unc
17	532 17 56-89	Trunnion Blk. Zinc
18	873 80 08-00	Nut Lock w/Wsh. 1/2-13 unc
19	532 13 98-68	Arm Suspension Mower
20	532 19 42-09	Retainer Spring
31	532 16 98-65	Bearing, Pvt. Lift.
32	873 54 06-00	Nut Crownlock 3/8-24

NOTE: All component dimensions given in U.S. inches
1 inch = 25.4 mm

GARANTIE LIMITÉE

Le Fabricant garantit son produit à l'acheteur initial comme exempt de tout défaut de matière et de fabrication. Pendant un (1) an, à compter de la date d'achat de la part de l'acheteur initial, nous réparerons ou remplacerons à notre choix, gratuitement, toute pièce, sur laquelle nous estimerons qu'il existe un défaut de matière ou de fabrication. Cette garantie est soumise aux limitations suivants et exceptions:

1. Cette garantie ne couvre pas le moteur, la transmission/composants de transmission, la batterie (sauf comme mentionnée ci-dessous) ou les pièces détachées. Veuillez-vous consulter la garantie applicable du fabricant des articles.
2. L'acheteur est responsable de coût du transport de tous les équipements actionnés par moteur ou les accessoires. L'acheteur est responsable de coût aussi du transport de toutes les pièces (couvertes par cette garantie) soumiées pour remplacement à moins que Electrolux Home Products demande à l'acheteur de renvoyer les pièces.
3. Garantie de la batterie: Pour les produits équipés d'une batterie, nous remplacerons, gratuitement, toute batterie estimée défectueuse pendant les quatre-vingt-dix (90) jours initiaux suivant l'achat. Après quatre-vingt-dix (90) jours, nous échangerons la batterie, le coût pour vous être 1/12 du prix d'une nouvelle batterie pour chaque mois complet à compter de la date d'achat initial. La batterie doit être entretenue selon les directives données dans la documentation appropriée.
4. La période de garantie applicable aux produits proposés en location ou à des fins commerciales est limitée à quarante-cinq (90) jours à compter de la date d'achat initial.
5. Cette garantie ne s'applique qu'aux produits correctement assemblés, réglés, utilisés et entretenus conformément aux instructions données dans la documentation appropriée. Cette garantie ne s'applique pas aux produits qui ont été modifié, utilisés incorrectement, abusés, mal assemblés, mal installés ou endommagés lors de la livraison ou usage normal.
6. Exclusions: Les courroies, lames, moyeux de lames, usage normal, réglages normaux, quincaillerie ordinaire, et entretien normal sont exclus de cette garantie.
7. En cas de problème entrant dans le cadre de cette garantie, veuillez contacter votre point de vente, en indiquant le numéro du modèle, le numéro de série, la date d'achat de votre machine. Cette garantie ne s'applique pas aux dommages accidentels. Toutes garanties implicites sont limitées aux mêmes périodes de temps. Ou contactez:

E.M. Services
54 Rue Lambrechts
92400 Courbevoie - France
Telephone: (1) 46678078
Fax: (1) 46678095

CETTE GARANTIE NE S'APPLIQUE PAS AUX DOMMAGES ACCIDENTELS. TOUTES GARANTIES IMPLICITES SONT LIMITÉES AUX MEMES PERIODES DE TEMPS.



LAZER®