

REPAIR PARTS MANUAL
MODEL NO. 274260
Lawn Tractor

22.0 hk BLS 42" hydro

2006

CRAFTSMAN®

HOW TO USE THIS MANUAL

This manual is designed to provide the customer with a means to identify the parts on his/her tractor when ordering repair parts. The illustrations may or may not represent the actual assemblies; therefore, it is not recommended to use this manual as a guide to assemble or disassemble the tractor. Some hardware and parts are drawn larger in order to more readily identify them.

Each tractor has its own model number.

The model number for your tractor can be found on the fender under the seat.

When ordering parts, always give the following information:

- Product - "Tractor"
- Model Number - "274260"
- Part Number
- Part Description

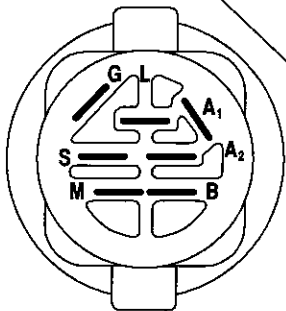
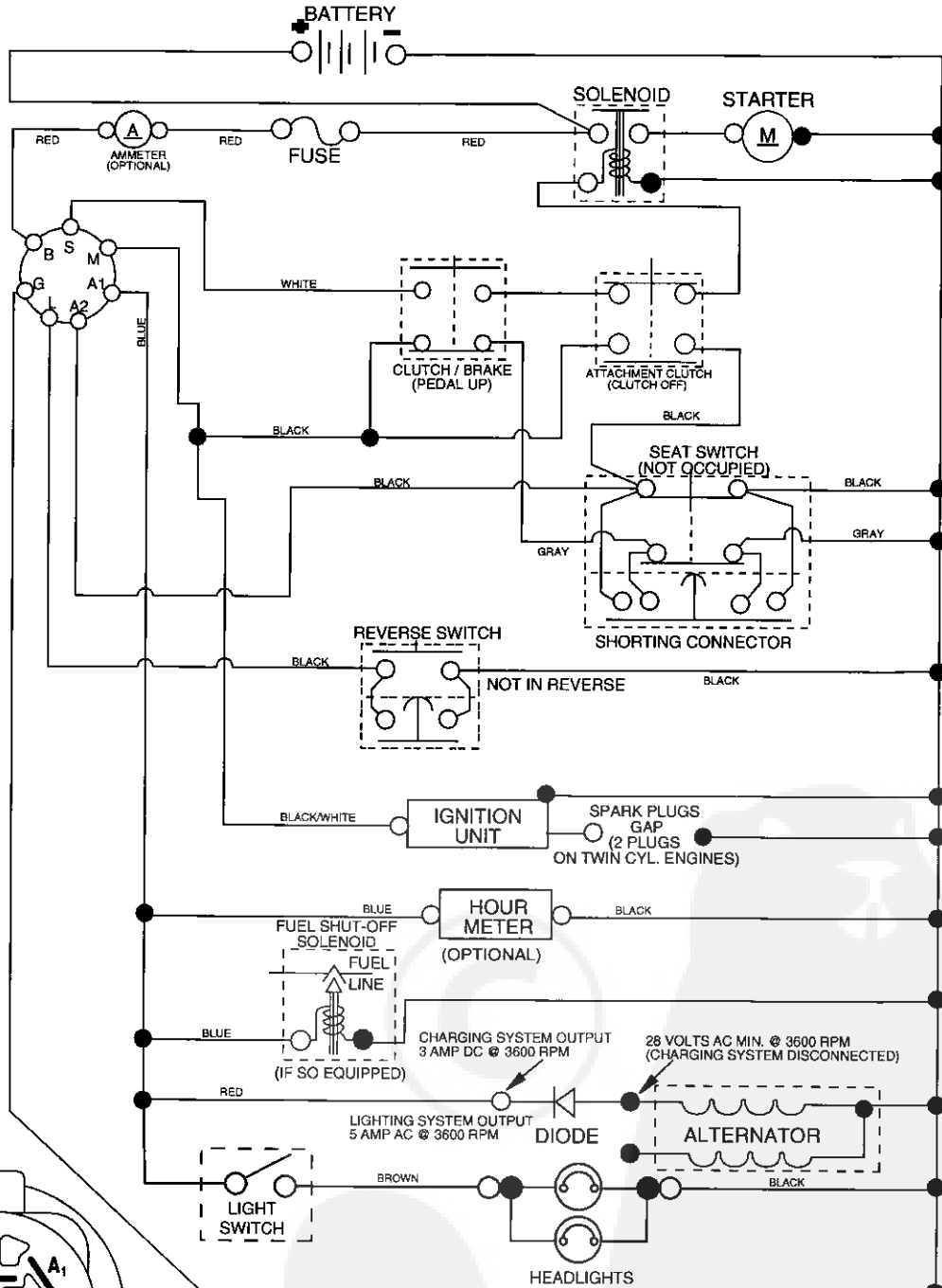
TABLE OF CONTENTS

SCHEMATIC	3
ELECTRICAL.....	4-5
DRIVE.....	6-7
MOWER DECK	8-9
ENGINE.....	10
SEAT	11
DECALS.....	12
MOWER LIFT.....	13
STEERING	14
CHASSIS.....	15
TRANSAXLE.....	16-17
ENGINE BREAKDOWN.....	18-22
WARRANTY.....	23

TRACTOR- -MODEL NO. 917. 274260

SCHEMATIC

03059_197428



IGNITION SWITCH

POSITION	CIRCUIT "MAKE"
OFF	M+G+A1
RUN/OVERRIDE	B+A1
RUN	B+A1 L+A2
START	B + S + A1

03059

NOTE

YOUR TRACTOR IS EQUIPPED WITH A SPECIAL ALTERNATOR SYSTEM. THE LIGHTS ARE NOT CONNECTED TO THE BATTERY, BUT HAVE THEIR OWN ELECTRICAL SOURCE. BECAUSE OF THIS, THE BRIGHTNESS OF THE LIGHTS WILL CHANGE WITH ENGINE SPEED. AT IDLE THE LIGHTS WILL DIM. AS THE ENGINE IS SPEEDED UP, THE LIGHTS WILL BECOME THEIR BRIGHTEST.

●
NON-REMOVABLE CONNECTIONS

○
REMOVABLE CONNECTIONS

WIRING INSULATED CLIPS

NOTE: IF WIRING INSULATED CLIPS WERE REMOVED FOR SERVICING OF UNIT, THEY SHOULD BE REPLACED TO PROPERLY SECURE YOUR WIRING.

REPAIR PARTS

TRACTOR- -MODEL NO. 917. 274260

ELECTRICAL

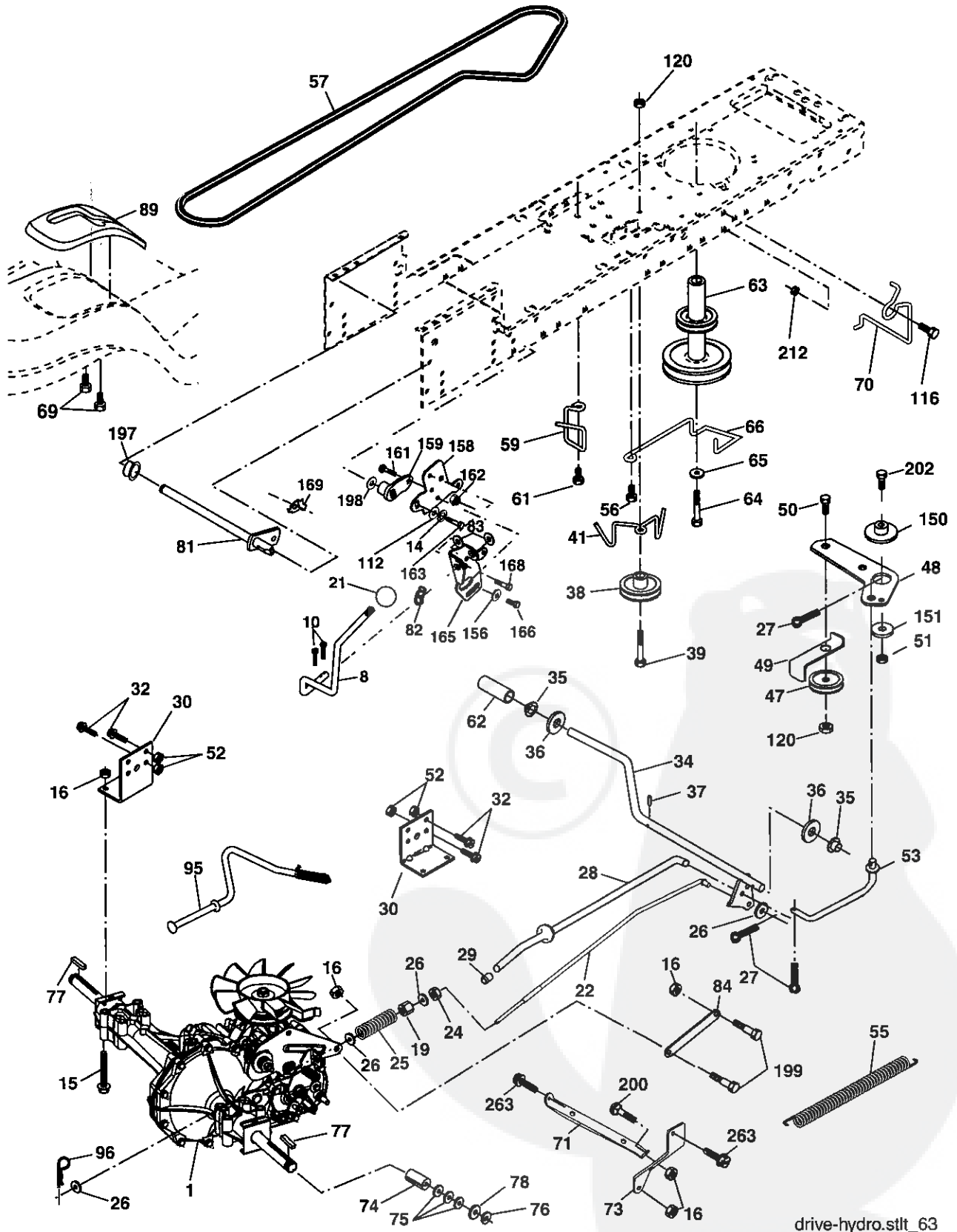
KEY NO.	PART NO.	DESCRIPTION
1	144927	Battery
2	74760412	Bolt Hex Hd 1/4-20 unc x 3/4
8	7603J	Battery Tray
10	145211	Bolt Battery 1/4-20 x 7.5
11	150109	Holddown Battery
12	145769	Nut Push 1/4"
16	176138	Switch, Interlock
21	175688	Harness Asm Light W/4152j
22	4152J	Bulb Light #1156
24	8860R	Cable Battery
25	146148	Cable Battery
26	175158	Fuse
27	73510400	Nut Keps Hex 1/4-20 Unc
28	145491	Cable Ground 6 Ga. 12" black
29	192749	Switch Seat
30	193350	Switch Ign
33	140403	Key Ign
34	110712X	Switch Light
40	197441	Harness Ign
41	17720408	Screw 1/4-20 x 1/2
42	131563	Cover Terminal Red
43	192507	Solenoid
45	121433X	Ammeter
52	141940	Protection Wire Loop
55	17490508	Screw 5/16-18 x 1/2
79	175242	Socket Asm Bulb
92	196615	Harness Pigtail Console ROS
93	192540	Screw Plastic 10-14 x 2.0
94	191834	Module Reverse ROS

NOTE: All component dimensions given in U.S. inches
1 inch = 25.4 mm

REPAIR PARTS

TRACTOR- -MODEL NO. 917. 274260

DRIVE



drive-hydro.stlt_63

REPAIR PARTS

TRACTOR- -MODEL NO. 917. 274260

DRIVE

KEY NO.	PART NO.	DESCRIPTION	KEY NO.	PART NO.	DESCRIPTION
1	-----	Transmission (See Breakdown) Hydro Gear Model 314-0510	69	142432	Screw Hex Wsh Hi-Lo 1/4 x 1/2 unc
8	192502	Rod, Shift	70	180218	Guide, Belt, Mower Drive RH
10	STD561210	Pin, Cotter 1/8 x 1	71	169183	Strap, Torque, Lh
14	STD551125	Washer Lock 1/4	73	169182	Strap, Torque, Rh
15	74490544	Bolt Hex Flghd 5/16-18 Gr. 5	74	137057	Spacer, Axle
16	73800500	Nut, Lock Hex w/lns 5/16-18 unc	75	121749X	Washer 25/32 x 1-1/4 x 16 Ga.
19	73800600	Nut Lock Hex w/lns 3/8-16	76	12000001	Ring, E
21	130564	Knob	77	123583X	Key, Square
22	169498	Rod, Brake	78	121748X	Washer 25/32 x 1-5/8 x 16 Ga.
24	73350600	Nut	81	165596	Shaft Asm Cross
25	106888X	Spring, Rod, Brake	82	165711	Spring, Torsion
26	19131316	Washer 13/32 x 13/16 x 16 Ga.	83	19171216	Washer 17/32 x 3/4 x 16 Ga.
27	STD561210	Pin, Cotter 1/8 x 3/4	84	169594	Link Transaxle
28	175765	Rod, Parking Brake	89	192387X428	Console, Shift
29	124236X	Cap, Parking Brake	95	170201	Control Asm Bypass Hydro
30	169592	Bracket, Transmission	96	STD624003	Spring, Retainer 1"
32	74760512	Bolt Hex 5/16-18 unc x 3/4	112	19091210	Washer 9/32 x 3/4 x 10 Ga.
34	175578	Shaft, Foot Pedal	116	72140608	Bolt Rdhd Sq Neck 3/8-16 x 1
35	120183X	Bearing, Nylon	120	73900600	Nut Lock Flg 3/8-16
36	19211616	Washer	150	175456	Spacer Retainer
37	1572H	Pin, Roll	151	19133210	Washer 13/32 x 2 x 10
38	179114	Pulley, Composite	156	166002	Washer 5/16 x 1.0 x 1.25
39	72110622	Bolt Rdhd 3/8-16 unc x 2-3/4 Gr. 5	158	165589	Bracket Shift Mount
41	175556	Keeper, Belt, Idler	159	183900	Hub Shift
47	127783	Pulley, Idler, V-Belt	161	72140406	Bolt Rdhd Sqnk 1/4-20 x 3/4 Gr. 5
48	154407	Bellcrank Clutch Grnd Drustl	162	73680400	Nut Crownlock 1/4-20 unc
49	123205X	Retainer, Belt	163	74780416	Bolt Hex Fin 1/4-20 x 1
50	72110612	Bolt	165	165623	Bracket Pivot Lever
51	STD541437	Nut Crownlock 3/8-16 unc	166	17490510	Screw 5/16-18 x 5/8
52	STD541431	Nut Crownlock 5/16-18	168	165492	Bolt Shoulder 5/16-18 x .561
53	199652	Link, Clutch	169	165580	Plate Fastener Cross Shaft
55	105709X	Spring, Return, Clutch	197	169613	Nyliner Snap-In
56	17060620	Screw 3/8-16 x 1 1/4	198	169593	Washer Nyliner
57	140294	V-Belt, Drive	199	169612	Bolt Shoulder 5/16-18 unc
59	169691	Keeper, Belt, Center	200	72140508	Bolt RdHd Sqnk 5/16-18 unc x 1
61	17120614	Screw 3/8-16 x .875	202	72110614	Bolt Carr. Sh 3/8-16 x 1-3/4 Gr. 5
62	123533X	Cover, Pedal	212	145212	Nut Hex Flange Lock
63	180219	Pulley, Engine	263	17000612	Screw 3/8-16 x 3/4
64	173937	Bolt Hex 7/16-20 x 4 Gr. 5-1.5 Thr			
65	10040700	Washer			
66	154778	Keeper, Belt Engine Hydro			

NOTE: All component dimensions given in U.S. inches
1 inch = 25.4 mm

REPAIR PARTS

TRACTOR- -MODEL NO. 917. 274260

MOWER

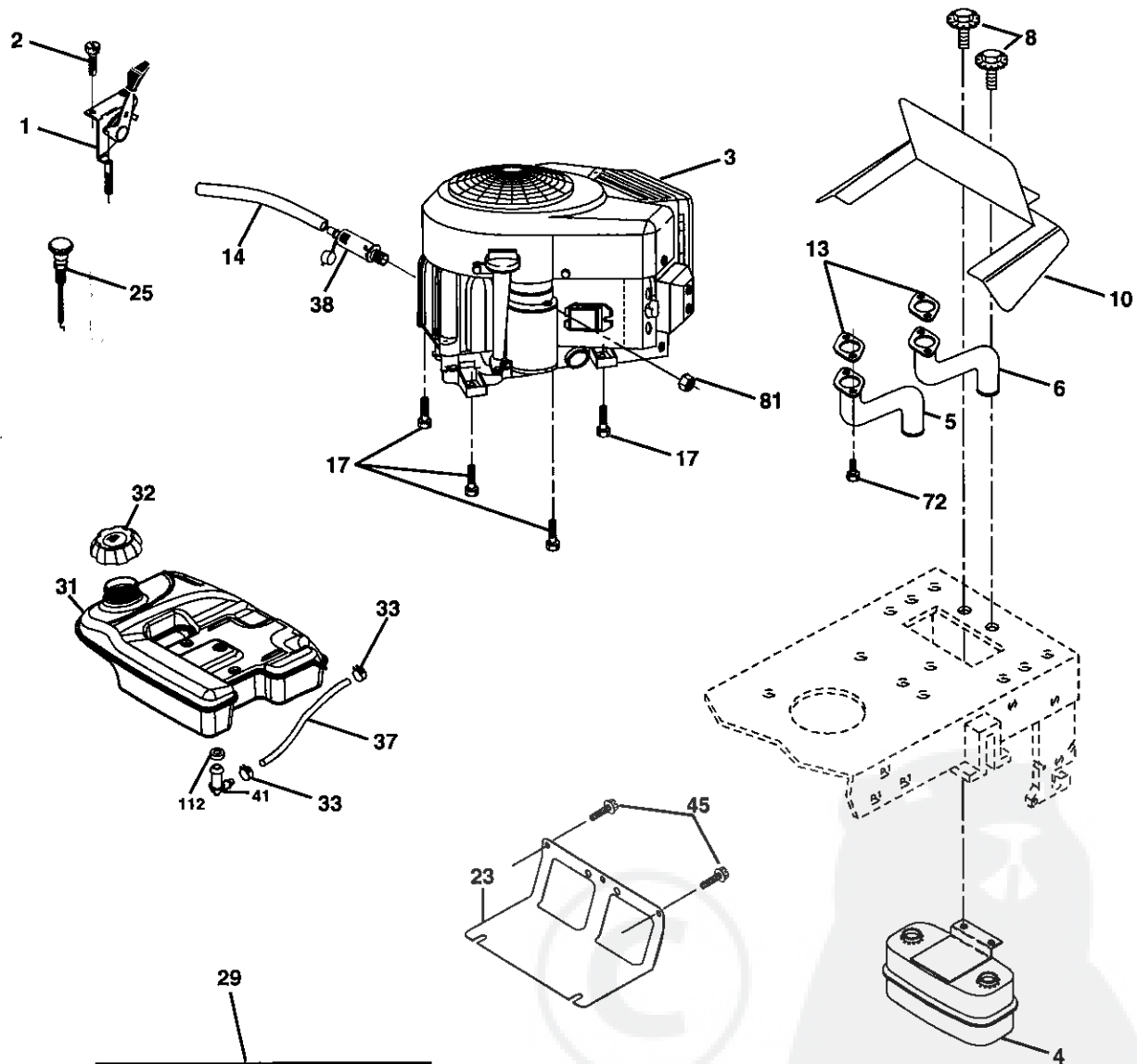
KEY NO.	PART NO.	DESCRIPTION	KEY NO.	PART NO.	DESCRIPTION
1	182032	Mower Deck Assembly, 42"	68	180215	V-Belt
2	STD533107	Bolt	92	73800600	Nut Lock 3/8-16 UNC
3	138017	Bracket Assembly, Sway Bar, Front	101	193107	Mulching Cover
4	165460	Bracket Sway Bar 38/42" Deck	102	71081010	Screw Phillips 10-24 x 5/8
5	STD624008	Retainer Spring	103	19061216	Washer #10
6	178024	Bar Sway Deck	104	10071000	Washer Lock #10
8	850857	Bolt, Hex 3/8-24 x 1.25 Gr. 8	105	160793	Latch Asm.
9	STD551137	Washer, Lock	106	2029J	Nut Weld
10	140296	Washer, Hardened (The following baldes are available)	113	17000510	Bolt 5/16-18
11	134149	Blade, 42" Mulching Std (For mulching mowers only)	116	4898H	Bolt Shoulder
13	137645	Shaft Assembly, Mandrel, Vented	117	188606	Wheel Guage
14	128774	Housing, Mandrel, Vented	118	73930600	Nut Lock 3/8-16 UNC
15	110485X	Bearing, Ball, Mandrel	119	19121414	Washer 3/8 x 7/8 x 14
16	174493	Stripper, Vented Mower Deck	129	19131312	Washer 13/32 x 13/16 x 12Ga.
18	72140505	Bolt, Carriage 5/16-18 x 5/8	130	74780616	Bolt Fin Hex 3/8-16 UNC x 1 Gr.5
19	132827	Bolt, Shoulder	131	72140608	Bolt 3/8-16 UNC x 1
20	159770	Baffle, Vortex	134	156941	Pin Head Rivet
21	STD541431	Nut Crownlock 5/16-18 unc	135	159765	Bracket Asm Wheel Ga Rear LH
23	177563	Bracket, Deflector	136	155986	Bar Adjusting Guage Wheel
24	105304X	Cap, Sleeve	138	159763	Bracket Asm Wheel Ga Rear RH
25	123713X	Spring, Torsion, Deflector	139	159767	Bracket Asm Wheel Ga Front RH
26	110452X	Nut, Push	140	159768	Bracket Asm Wheel Ga Front LH
27	130968X428	Shield, Deflector	142	165890	Arm Spring Brake Mower
28	19111016	Washer 11/32 x 5/8 x 16 Ga.	143	157109	Bracket Arm Idler 42"
29	131491	Rod, Hinge	144	158634	Keeper Belt 42" Clutch Cable
30	173984	Screw Thdrol Washer Head	145	165888	Pulley Idler Flat
31	187690	Washer, Spacer	146	171977	Bolt Carriage Idler
32	153535	Pulley, Mandrel	147	179748	Spring Extension
33	178342	Nut, Toplock, Flanged	148	169022	Spring Return Idler
34	72110612	Bolt Carr. Sh. 3/8-16 x 1-1/2 Gr. 5	149	165898	Retainer Spring Yellow Zinc
36	131494	Pulley, Idler, Flat	150	19091210	Washer 9/32 x 3/4 x 10 Ga.
40	73900600	Nut Lock 3/8-16 unc	152	181555	Cable Clutch 42 In
44	140088	Guard, Mandrel, L.H.	159	72140614	Bolt Rdhd Sqn 3/8-16 unc x 3/4
45	STD624003	Retainer	183	194208	Pin Cotter 5/16 Bowtie Lock
46	137729	Screw, Thd. Roll 1/4-20 x 5/8	184	19131410	Washer 13/13 x7/8 x 10 Ga.
48	133944	Washer, Hardened	185	188234	Head Asm Cable Clutch
52	139888	Bolt, Shoulder 5/16-18 unc	--	130794	Mandrel Assembly (Includes Housing, Shaft and Shaft Hardware Only - Pulley Not Included)
53	184907	Arm Assembly, Pad, Brake	--	187694	Replacement Mower, Complete
54	178515	Washer, Hardened			
55	155046	Arm, Idler			
56	165723	Spacer, Retainer			
59	141043	Guard, TUV Idler			

NOTE: All component dimensions given in U.S. inches
1 inch = 25.4 mm

REPAIR PARTS

TRACTOR- -MODEL NO. 917. 274260

ENGINE



OPTIONAL EQUIPMENT
Spark Arrester

engine-bs intek-twin_39

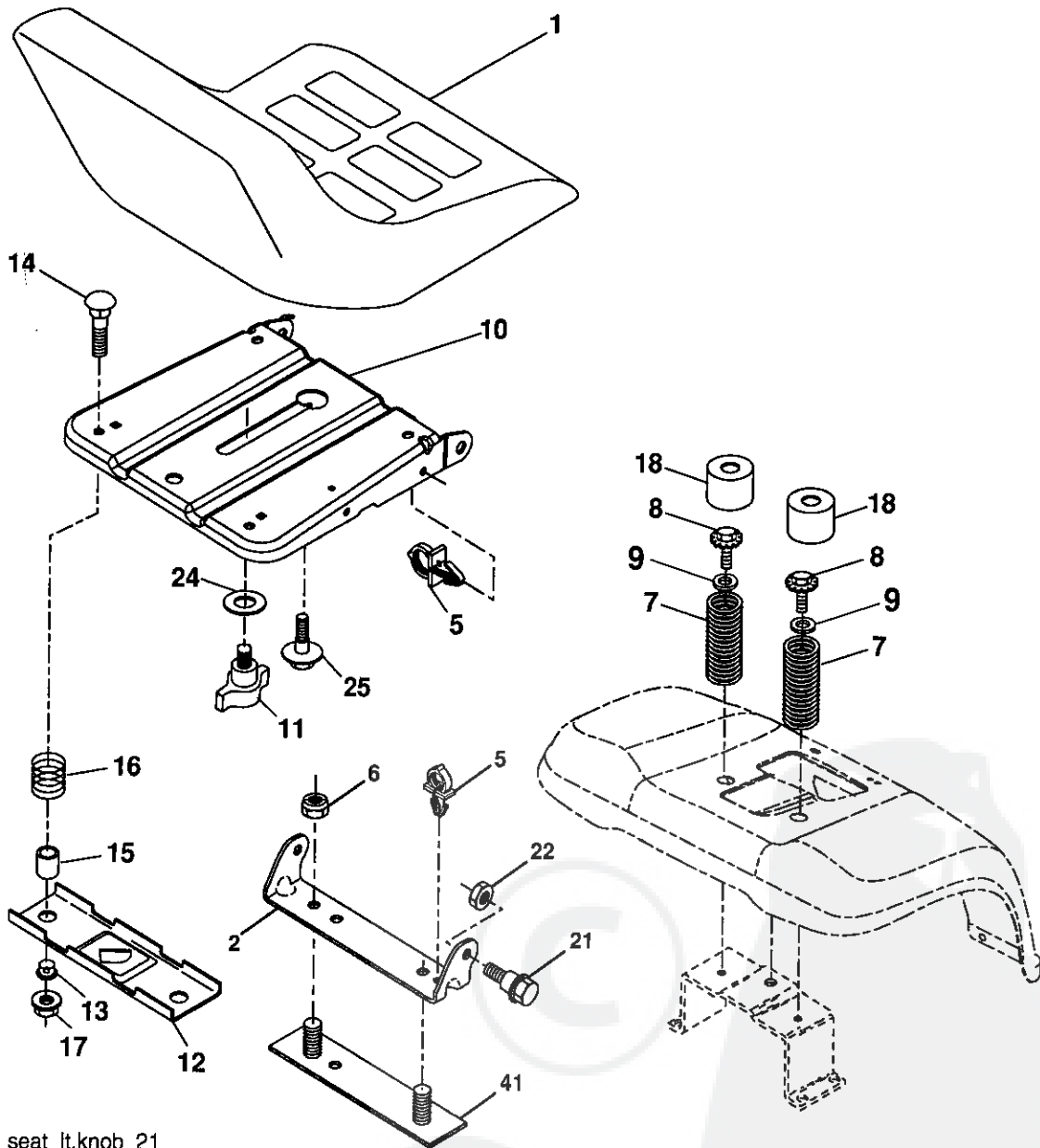
KEY NO.	PART NO.	DESCRIPTION	KEY NO.	PART NO.	DESCRIPTION
1	175437X505	Control, Throttle/Choke	29	137180	Arrestor, Spark
2	191611	Screw, Hex Head, Thread Cutting 1/4-20 x 1/2	31	179022	Tank, Fuel
3	-----	Engine, Briggs Model 441777- 0651-B1	32	179124X428	Cap Assembly, Fuel Sear, Vented
4	149723	Muffler	33	123487X	Clamp, Hose
5	159955	Exhaust Tube RH	37	8543R	Fuel Line
6	160589	Exhaust Tube LH	38	181654	Plug Drain Oil Easy
8	171877	Bolt 5/16-18 UNC x 3/4 w/Sems	41	139277	Stem Tank Fuel
10	162797	Shield, Browning	45	1700612	Screw Hxwsh Thdr 3/8-16 x 3/4
13	165391	Gasket	72	183906	Screw Socket Head 5/16-18 x 1
14	148456	Tube Drain Oil Easy	81	73510400	Nut Keps Hex 1/4-20
17	17060624	Screw 3/8-16 x 1-1/4	112	3645J	Bushing
23	169837	Shield Brn/Dbr Guard			
25	187767X505	Control Choke			

NOTE: All component dimensions given in U.S. inches 1 inch = 25.4 mm

REPAIR PARTS

TRACTOR- -MODEL NO. 917. 274260

SEAT ASSEMBLY



seat_lt.knob_21

KEY NO.	PART NO.	DESCRIPTION
1	188714	Seat
2	140551	Bracket Pnt Pivot Seat (blk)
5	145006	Clip Push In Hinged
6	STD541437	Nut Hex Lock w/Ins 3/8-16 unc
7	124181X	Spring Seat Cprsn 2 250 Blk Zi
8	17000616	Screw 3/8-16 x 1
9	19131614	Washer 13/32 x 1 x 14 Ga.
10	195530	Pan Pnt Seat (blk)
11	166369	Knob Seat Adj Wingnut
12	174648	Bracket Pnt Mounting Switch
13	121248X	Bushing Snap Blk Nyl 50 Id
14	72050412	Bolt Rdhd Sht Nk 1/4-20 x 1-1/2

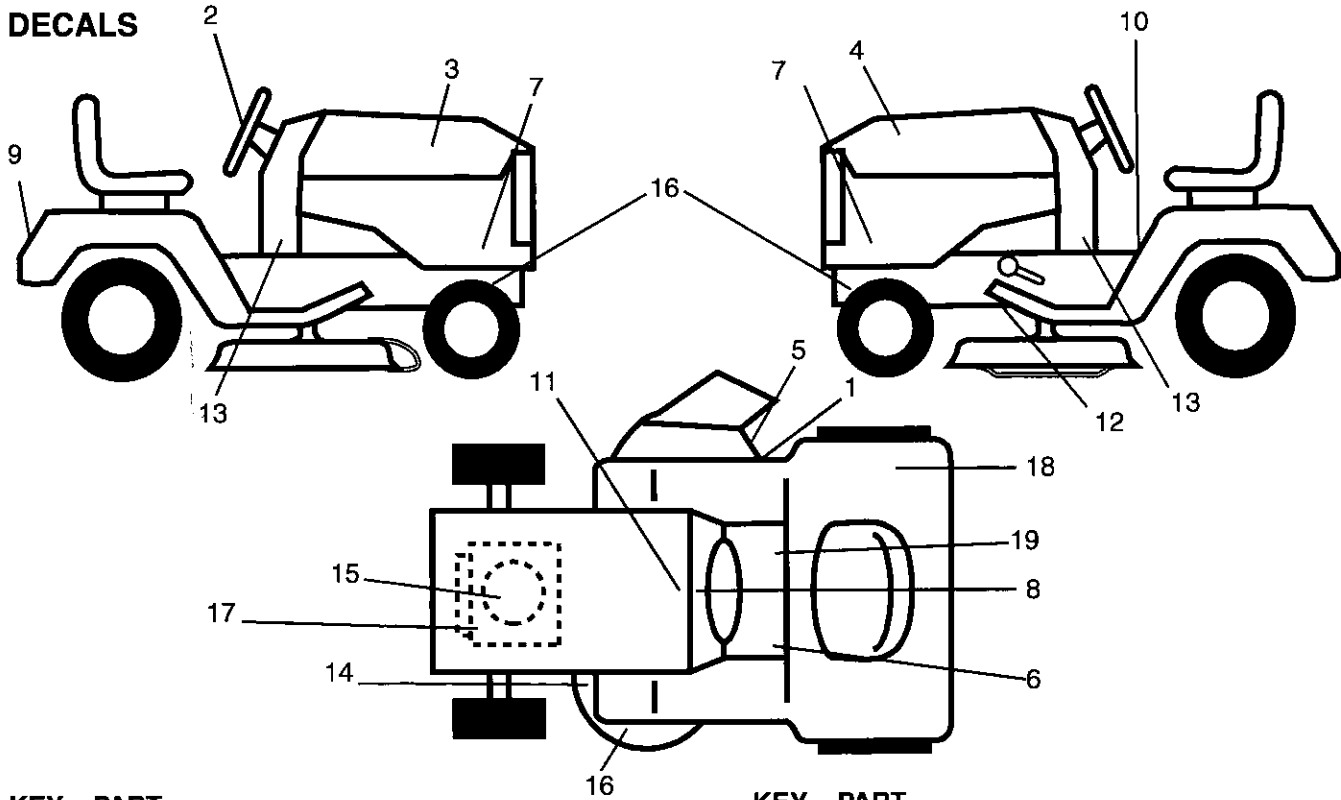
KEY NO.	PART NO.	DESCRIPTION
15	121249X	Spacer Split
16	123740	Spring Cprsn
17	123976X	Nut Lock 1/4 Lge Flg Gr. 5 Zinc
18	124238X	Cap Spring
21	171852	Bolt Shoulder 5/16-18 unc-2A
22	STD541431	Nut Hex Lock w/Ins 5/16-18
24	19171912	Washer 17/32 x 1-3/16 x 12 Ga.
25	127018X	Bolt Shoulder 5/16-18 x .62
41	140675	Strap Asm Fender

NOTE: All component dimensions given in U.S. inches
1 inch = 25.4 mm

REPAIR PARTS

TRACTOR- -MODEL NO. 917. 274260

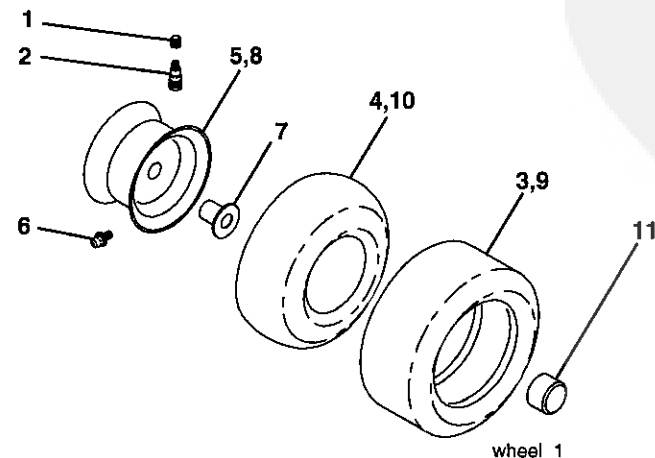
DECALS



KEY NO.	PART NO.	DESCRIPTION
1	196357	Decal, Warning
2	164065	Decal, Steering Wheel
3	194023	Decal, Hood, R.H.
4	194024	Decal, Hood, L.H.
5	182166	Decal, Cut Finger
6	159737	Decal, Brake Clutch
7	404777	Decal, Hood Side
8	196347	Decal, Dash
9	403259	Decal, Fender, Craftsman
10	400389	Decal, Fender Danger
11	145005	Decal, Battery Dngr/Psn Eng
12	197490	Decal, V-Belt Drive Schematic
13	404752	Decal, Dash Panel
14	160396	Decal, V-Belt Schematic
15	196841	Decal, Engine Warn/Sym

KEY NO.	PART NO.	DESCRIPTION
16	159736	Decal, Hot Muffler
17	404807	Decal, Engine HP
18	180432	Decal, Fender DB/CE
19	140837	Decal, Parking Brake
--	138311	Decal, Lift Handle
--	166960	Decal, By-Pass
--	162598	Decal Load Limit
--	184310X428	Pad, Footrest LH STLT
--	184311X428	Pad, Footrest RH STLT
--	404877	Manual, Operator's Euro
--	404878	Manual, Operator's Scan
--	404879	Manual, Operator's Eblc
--	404880	Manual, Operator's Baltic
--	404881	Manual, Parts

WHEELS & TIRES



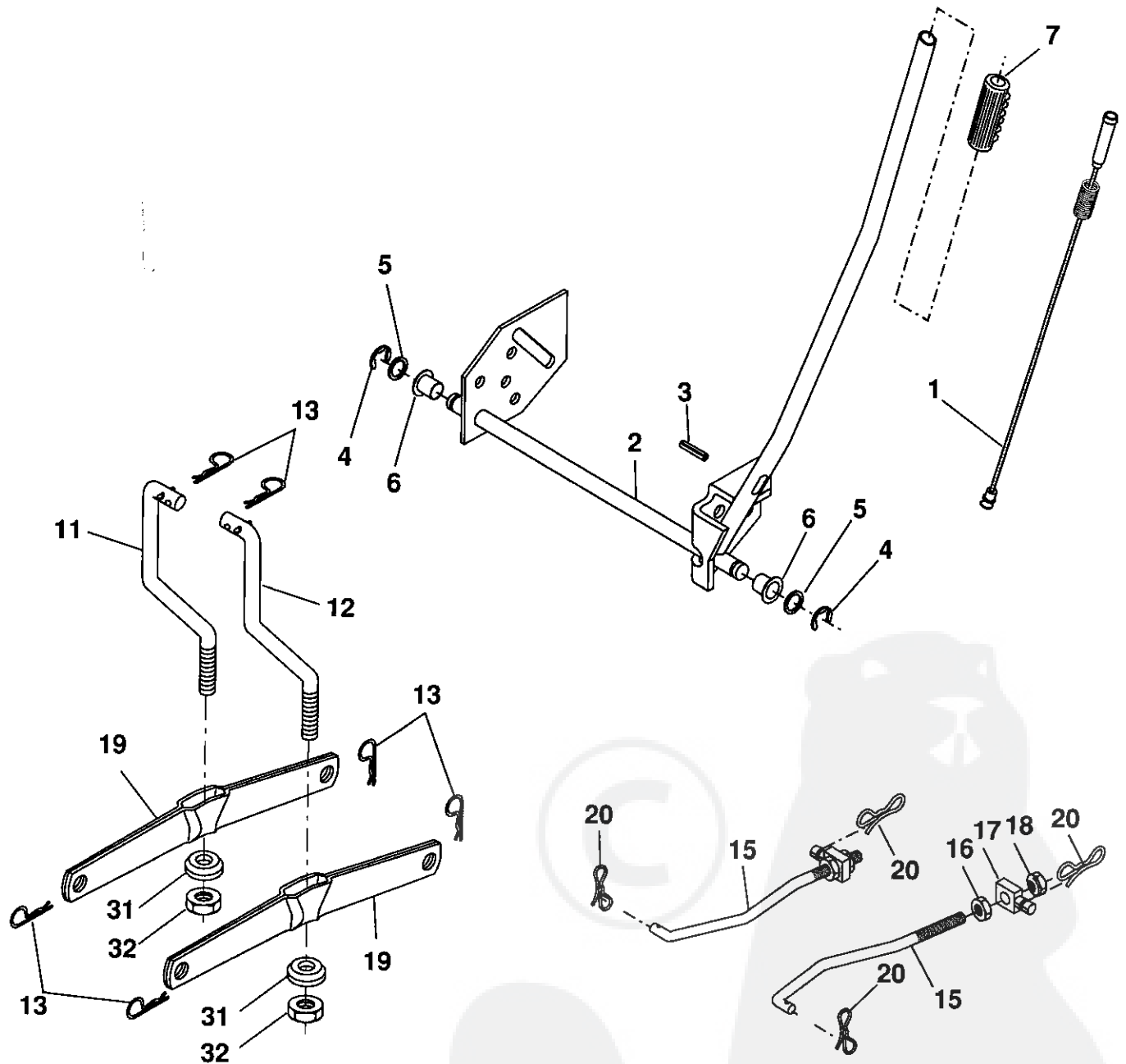
KEY NO.	PART NO.	DESCRIPTION
1	59192	Cap Value Tire
2	65139	Stem Value
3	106222X	Tire F Ts 15 x 6.0 - 6 Service
4	59904	Tube Inner Front #35060
5	106732X643	Rim Asm 6" front Service
6	278H	Fitting Grease
7	9040H	Bearing Flange
8	106108X643	Rim Asm 8" rear Service
9	122082X	Tire R Ts 20 x 10-8 Service
10	7152J	Tube Rear 9.5 x 8 Service
11	104757X643	Cap Axle Blk 1.50 x 1.00
--	144334	Sealant, Tire (10 oz. tube)

NOTE: All component dimensions given in U.S. inches
1 inch = 25.4 mm

REPAIR PARTS

TRACTOR- -MODEL NO. 917. 274260

MOWER LIFT



lift-rh.1piece_26

KEY NO.	PART NO.	DESCRIPTION
1	197980	Plunger Asm.
2	198070	Shaft Asm. Lift
3	188822	Pin Groove
4	12000002	E Ring #5133-62
5	19211621	Washer 21/32 x 1 x 21 Ga.
6	120183X	Bearing Nylon
7	175830	Grip Handle
11	139865	Link Asm Lift L.H.
12	139866	Link Asm Lift R.H.
13	STD624008	Retainer Spring

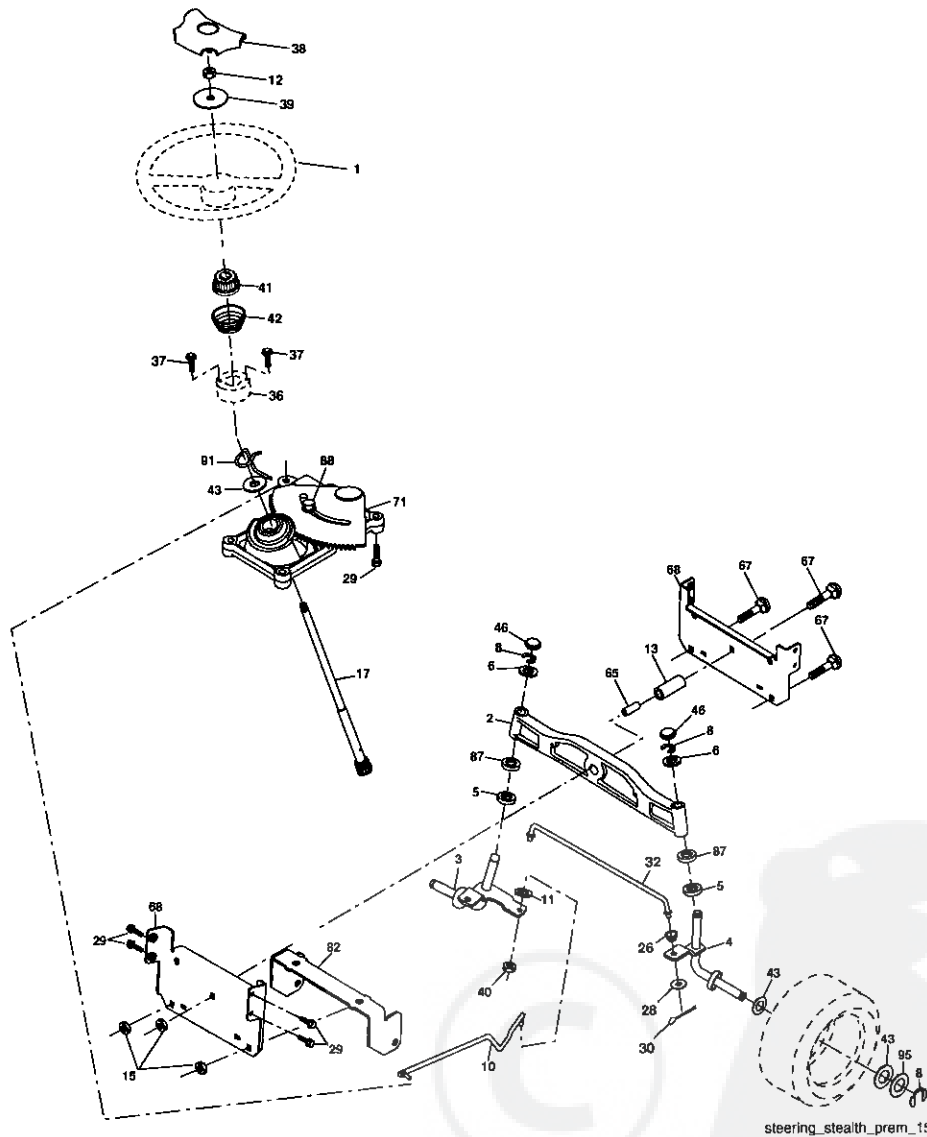
KEY NO.	PART NO.	DESCRIPTION
15	173288	Link Front
16	73350800	Nut Jam Hex 1/2-13 unc
17	175689	Trunnion Blk Zinc
18	73800800	Nut Lock w/Wsh 1/2-13 unc
19	139868	Arm Suspension Mower
20	194209	Pin Cotter 7/16 Bow Tie Lock
31	169865	Bearing, Pvt. Lift
32	73540600	Nut Crownlock 3/8-24

NOTE: All component dimensions given in U.S. inches
1 inch = 25.4 mm

REPAIR PARTS

TRACTOR- -MODEL NO. 917. 274260

STEERING ASSEMBLY



steering_stealth_prem_15

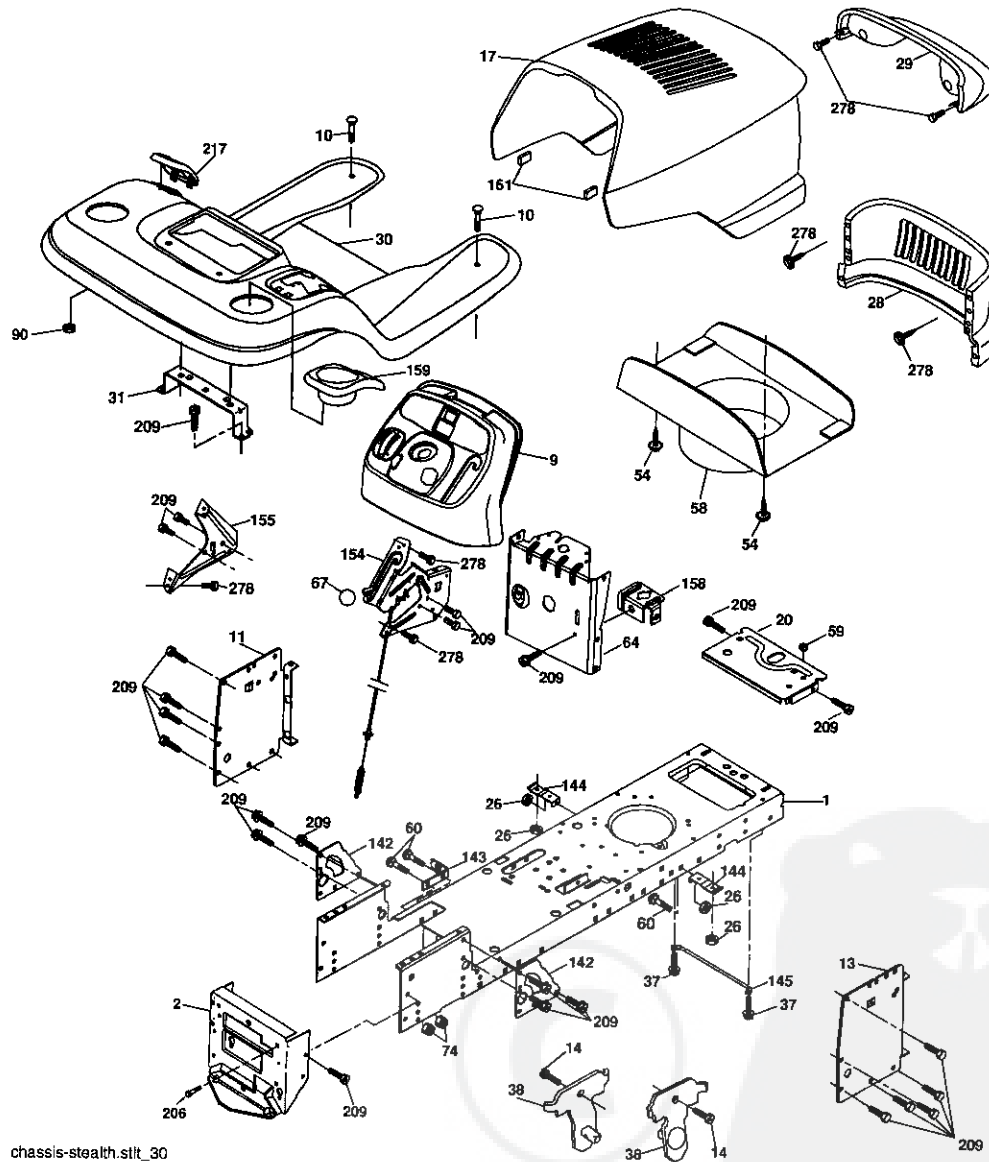
KEY NO.	PART NO.	DESCRIPTION	KEY NO.	PART NO.	DESCRIPTION
1	186093X428	Steering Wheel	36	155105	Bushing, Steering
2	184706	Axle Assembly	37	152927	Screw
3	169840	Spindle Assembly, L.H.	38	186095X428	Insert, Steering Wheel
4	169839	Spindle Assembly, R.H.	39	19183812	Washer 9/16 x 2-3/8 12Ga.
5	6266H	Washer Thrust	40	73540600	Nut Crownlock 3/8-24
6	121748X	Washer 25/32 x 1-5/8 x 16 Ga.	41	186737	Adaptor, Steering Wheel
7	19272016	Washer 27/32 x 1-1/4 x 16 Ga.	42	163888X428	Boot, Steering Shaft
8	12000029	Ring, Klip	43	121749X	Washer 25/32 x 1-1/4 x 16 Ga.
9	3366R	Bearing Col.	46	184946X505	Cap, Spindle
10	175121	Draglink	65	160367	Spacer Brace Axle
11	STD551137	Washer, Lock	67	72110618	Bolt RDHD Sqnk 3/8-16 x 2-1/4
12	73940800	Nut Hex Jam Toplock 1/5-20 UNF	68	169827	Axle, Brace
13	136518	Spacer Bearing Axle Front	71	175146	Steering Asm.
15	145212	Nut, Hex Flange Lock	82	199978	Bracket Susp. Chassis Front
17	177883	Shaft, Steering	87	173966	Washer Flat
26	126847X	Bushing, Link, Drag	88	175118	Bolt Shoulder 7/16-20 unc
28	19131416	Washer 13/32 x 7/8 x 16 Ga.	91	175553	Clip Steering
29	17000612	Screw 3/8-16 x 3/4	95	188967	Washer Hardened
30	STD561210	Pin Cotter			
32	192757	Rod, Tie			

NOTE: All component dimensions given in U.S. inches 1 inch = 25.4 mm

REPAIR PARTS

TRACTOR- -MODEL NO. 917. 274260

CHASSIS AND ENCLOSURES



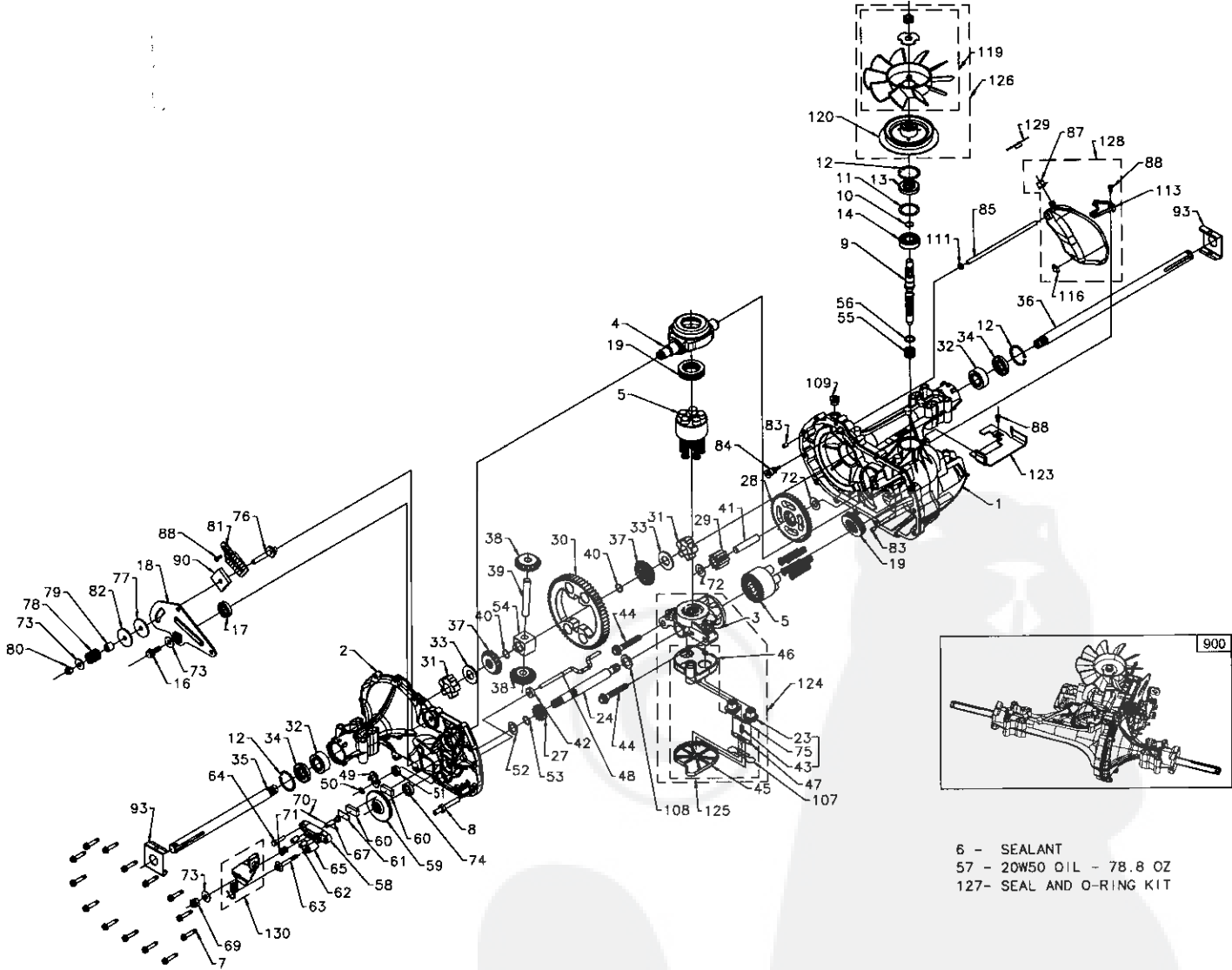
chassis-stealth.stlt_30

KEY NO.	PART NO.	DESCRIPTION	KEY NO.	PART NO.	DESCRIPTION
1	174619	Chassis	60	STD533707	Bolt Rdhd Sqnk 3/8-16 unc x 3/4
2	176554	Drawbar	64	174997	Dash Lower
9	193611X428	Dash	67	106932X	Knob
10	72140608	Bolt RDHD SQNK 3/8-16 x 1	74	STD541437	Nut Crownlock 3/8-16 unc
11	167203	Panel, Dash, LH	90	124346X	Nut
13	188702X010	Panel, Dash, RH	142	175702	Plate Reinforcement
14	17490608	Screw Thdrol 3/8-16 x 1/2	143	186689	Bracket Swaybar Chassis
17	175260X615	Hood Assembly	144	175582	Bracket Footrest
20	162026	Plate Battery	145	156524	Rod Pivot Chassis/Hood
26	STD541437	Locknut, Hex, with Insert 3/8-16 unc	154	192413	Clutch Asm Bracket
28	174515X615	Grille	155	161900	Bracket Dash Lh
29	161840	Lens Bar	158	162037	Parking Brake Bkrt
30	192395X615	Fender/Footrest	159	191120X428	Cupholder
31	139976	Bracket, Fender/Support	161	164655	Bumper
37	17490508	Screw, Thdrol. 5/16-18 x 1/2 TYT	206	170165	Bolt Shoulder 5/16-18
38	175710	Bracket Asm Pivot Mower Rear	209	17000612	Screw Hexwsh Thdr 3/8-16 x 3/4
54	192512	Screw Wshd Hex 10-32 x 5/8	217	179132X428	Console Fuel Window
58	175351	Duct Hood	278	191611	Screw 10 x 3/4 Single Lead Hex
59	187495	Bushing			

REPAIR PARTS

TRACTOR- -MODEL NO. 917. 274260

HYDROTRANSAXLE - MODEL NUMBER 314-0510



REPAIR PARTS

TRACTOR- -MODEL NO. 917. 274260

HYDRO TRANSAXLE - MODEL NUMBER 314-0510

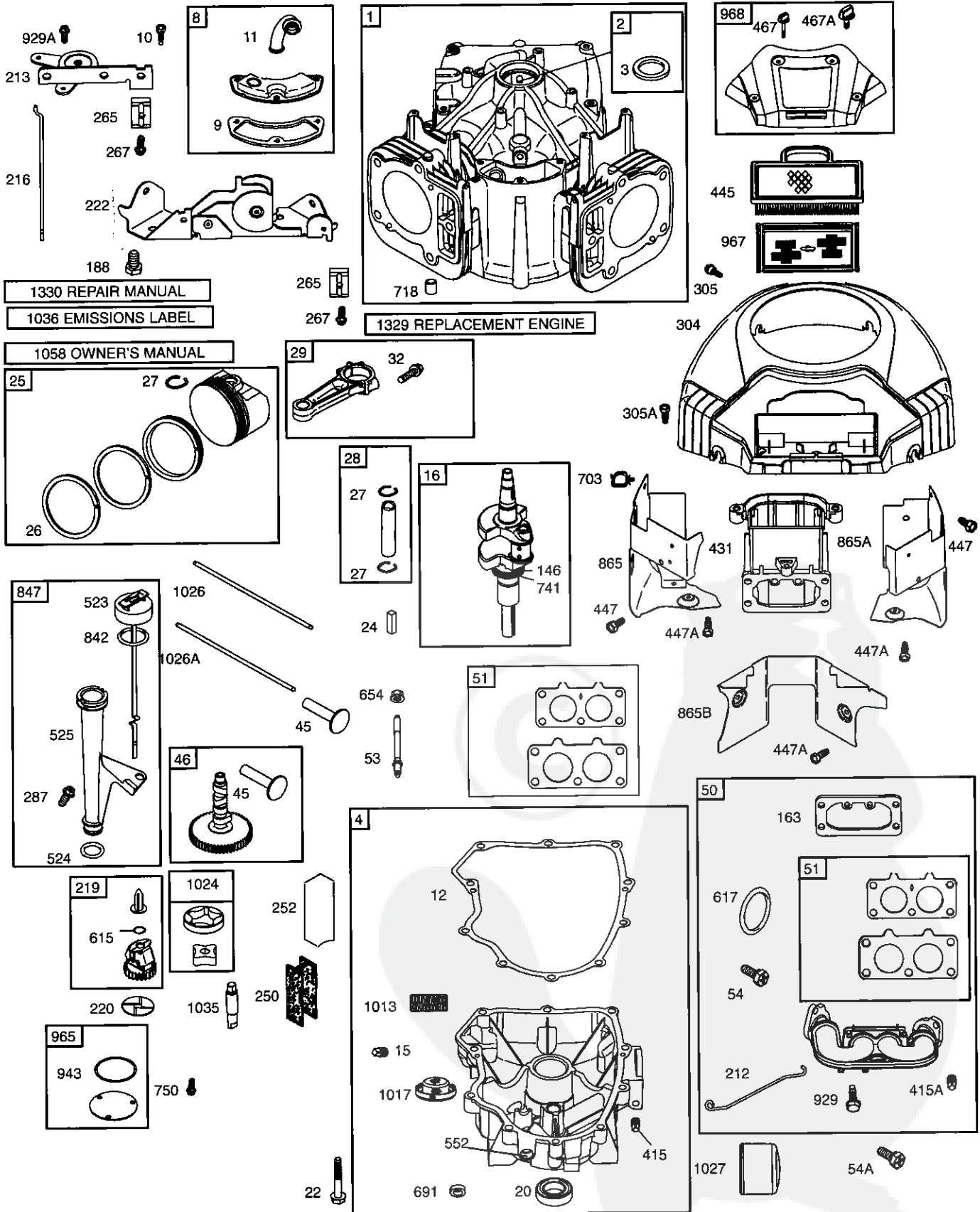
KEY PART NO.	PART NO.	DESCRIPTION	KEY PART NO.	PART NO.	DESCRIPTION
1	170351	Kit, Main Housing	71	170417	Brake Spring
		Main Housing, Machined	72	170418	Washer (310-0750)
		Bushing .865 X .985 X .790	73	142884	Washer, Flat
2	170352	Kit, Side Housing	74	170419	Seal, Oil
		Side Housing, Machined	75	170420	Ass'y Check Plug
		Bushing .865 X .985 X .790	76	170421	Bolt, Stud 5/16-24
		Bushing .624 X .719 X .562	77	170422	Puck, Friction
3	170353	Kit, Center Section	78	142969	Spring
		Center Section, Machined	79	142980	Spacer
		Bushing .707 X .788 X .591	80	150778	Nut, Nylon Insert Hex Lock 5/16-24
4	170354	Swashplate, Trunnion Machined	81	170423	Wedge, Friction
5	169898	Kit, Cylinder Block (10cc)	82	170424	Clip, Washer
		Block - Cylinder	83	161168	Pin
		Piston	84	170425	Fitting, 5/16 X Sae 5/32 Tube
		Spring, Compression	85	170426	Hose, Expansion Tank
		Washer Thrust	87	173160	Cap, Vent
6	178322	Sealant Tube	88	178334	Bolt, Self Tapping (BDR)
7	170356	Hexflange Screw 1/4-20 X 1.25	90	170430	Puck, Inner Wedge
8	170357	Stud, 5/16-24 Hex Double End	93	170431	Spring Clip, Housing
9	170358	Shaft, Input	107	170432	Deflector
10	170359	Retaining Ring	108	170433	Washer, Motor Shaft .71ID X 1.15OD X .03 Thick
11	170360	Spacer			
12	169870	Retaining Ring	109	170434	Plug, Straight Thread 9/16-18
13	170361	Seal, Lip .67 X 1.58 X .276	111	170435	O-ring .7 X .301 ID
14	173158	Bearing, Ball 6203 (BDR)	113	170437	Bracket, Support Expansion Tank
16	170362	Hex Flange Head Screw 1/4-20 X 1.25	119	191031	Kit, Fan - Washer - Nut
17	170363	Seal, Lip 18 X 32 X 7			Fan, 7 In
18	170364	Arm, Control			Hex Lock Nut 1/2-20 (Nylon Insert)
19	173159	Bearing, Thrust (10cc)			Washer, Or Slotted, .53 X 1.63 X .06
23	170365	Check Plug Assembly	120	188312	Pulley
24	170366	Shaft Motor	123	178800	Belt Keeper
27	170367	Gear, Pinion, 13t	124	170444	Kit, Center Section Filter Bypass
28	170368	10t / 48t Gear			Center Section Machining
29	170369	Gear, 10t Jackshaft			Base Filter W/ Poppet
30	170370	60t Bullgear			Check Plug Assembly, .027 Washer
31	170371	Sleeve Bearing .75 X 1.75 X .625			Check Plug Assembly, Washer
32	170389	Sleeve Bearing (Outboard) .75 X 1.575 X .625			Spring, Bypass
33	142991	Washer			Actuator, Bypass
34	170390	Lip Seal, Axle Shaft			Deflector
35	170391	Shaft, Axle (Keyed, R.h.)			Bottom, Filter
36	170392	Shaft, Axle (Keyed, L.h.)			Bushing, .707 X .788 X .591
37	150792	Gear, Splined Diff. (210-1000 & 310-0750)	125	170445	Kit, Filter
38	150793	Gear, Miter Diff. (210-1000 & 310-0750)			Bottom, Filter
39	150809	Differential Shaft (310-0750)			Spring, Bypass
40	170393	Retaining Ring			Actuator, Bypass
41	170394	Pin, Jackshaft			Deflector
42	170395	Magnet, Ring			Base, Filter W/ Poppet
43	170396	Spring, Bypass	126	191028	Kit, Fan/pulley
44	150797	Bolt 3/8-24 X 2-1/2			Hex Jam 1/20-20 (Nylon Inset)
45	170397	Filter			Washer, OD Slotted, .53 X 1.63 X .06
46	170398	Base, Filter			Fan, 7 In
47	170399	Actuator, Bypass			Pulley
48	170400	Rod, Bypass Actuator	127	170447	Kit, Seal
49	170401	Arm, Bypass			Lip Seal .67 X 1.58 X .276
50	170402	Retaining Ring .25 External			Lip Seal 18 X 32 X 7
51	170403	Seal, Lip .741 X .25 X .25			Lip Seal .706 X 1.584 X .25
52	170404	Washer, Flat 0.050" (210-1000)			Lip Seal .741 X .250 X .250 Tc
53	170405	Retaining Ring			Oil Seal .625 X 1.0 X .25
54	170406	Bearing, Center Block			O-ring .07 X .301 ID
55	142977	Spring, Helical Compression	128	173165	Kit, Expansion Tank
56	142978	Washer, Block Thrust			Tank, Expansion
57	----	20W-50 Oil			Cap, Vent
58	142929	Kit, Brake Yoke			Bolt, Self Tapping 10-32 X 1/2
59	170408	Rotor, Brake			Bracket, Support Expansion Tank
60	142883	Brake Puck			Silicon Sponge 1/2 X 1/2 X 3/16
61	142882	Brake Puck Plate	129	191032	Cap, Expansion Tank Shipping
62	170409	Pin, Brake Actuating	130	186352	Kit, Brake Arm And Spring
63	170410	Hfhcs 1/4-20 X 2 W/patch, Special Flange			Arm, Brake
64	142892	Bolt, Nylok			Spring, Brake Arm Bias
65	170411	Spacer, Brake Torsion Spring			Instruction Sheet
67	170413	Bolt, Square Head - Brake	900	166768	Transaxle
69	170415	Nut, Castle 5/16-24			
70	170416	Pin, Cotter 3/32x3/4			

NOTE: All component dimensions given in U.S. inches
1 inch = 25.4 mm

REPAIR PARTS

TRACTOR- -MODEL NO. 917. 274260

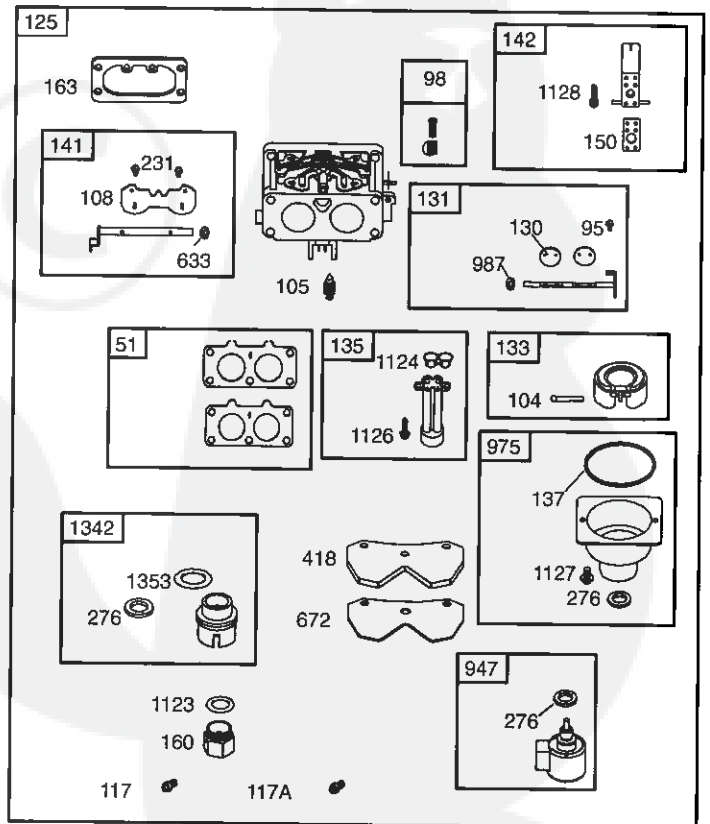
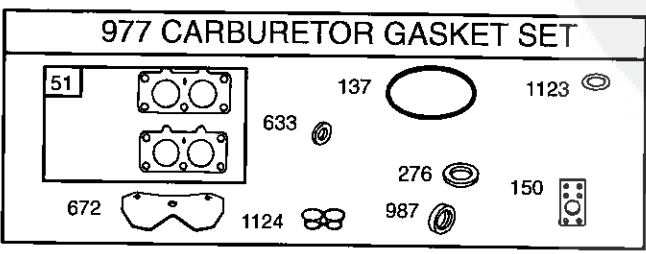
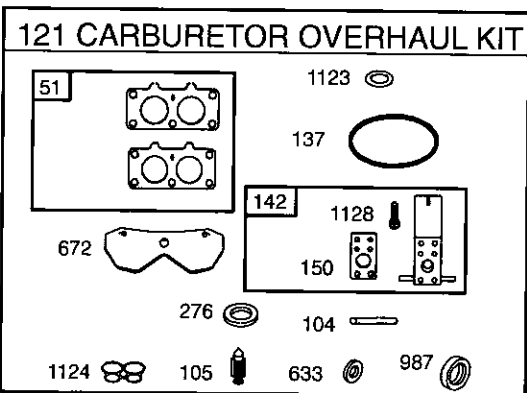
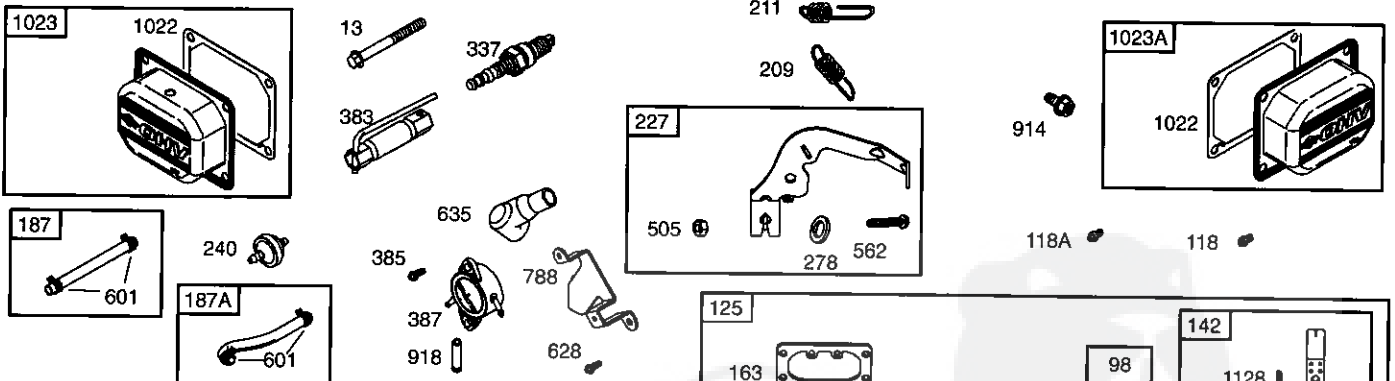
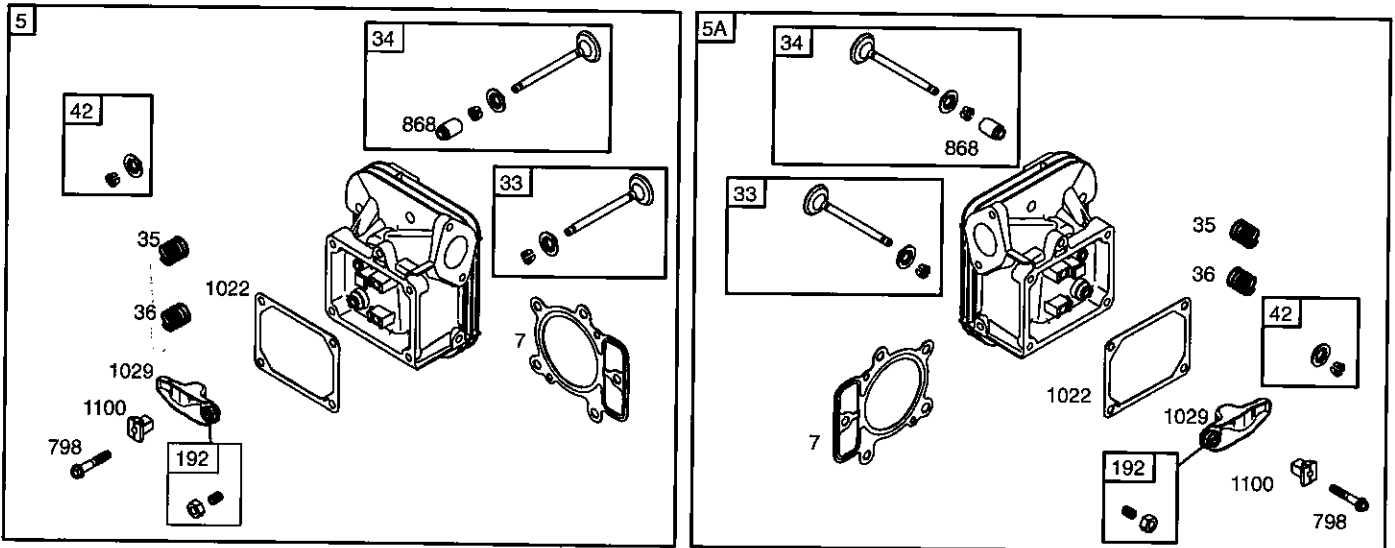
BRIGGS & STRATTON ENGINE - - MODEL NUMBER 441777, TYPE NUMBER 0651-B1



REPAIR PARTS

TRACTOR- -MODEL NO. 917. 274260

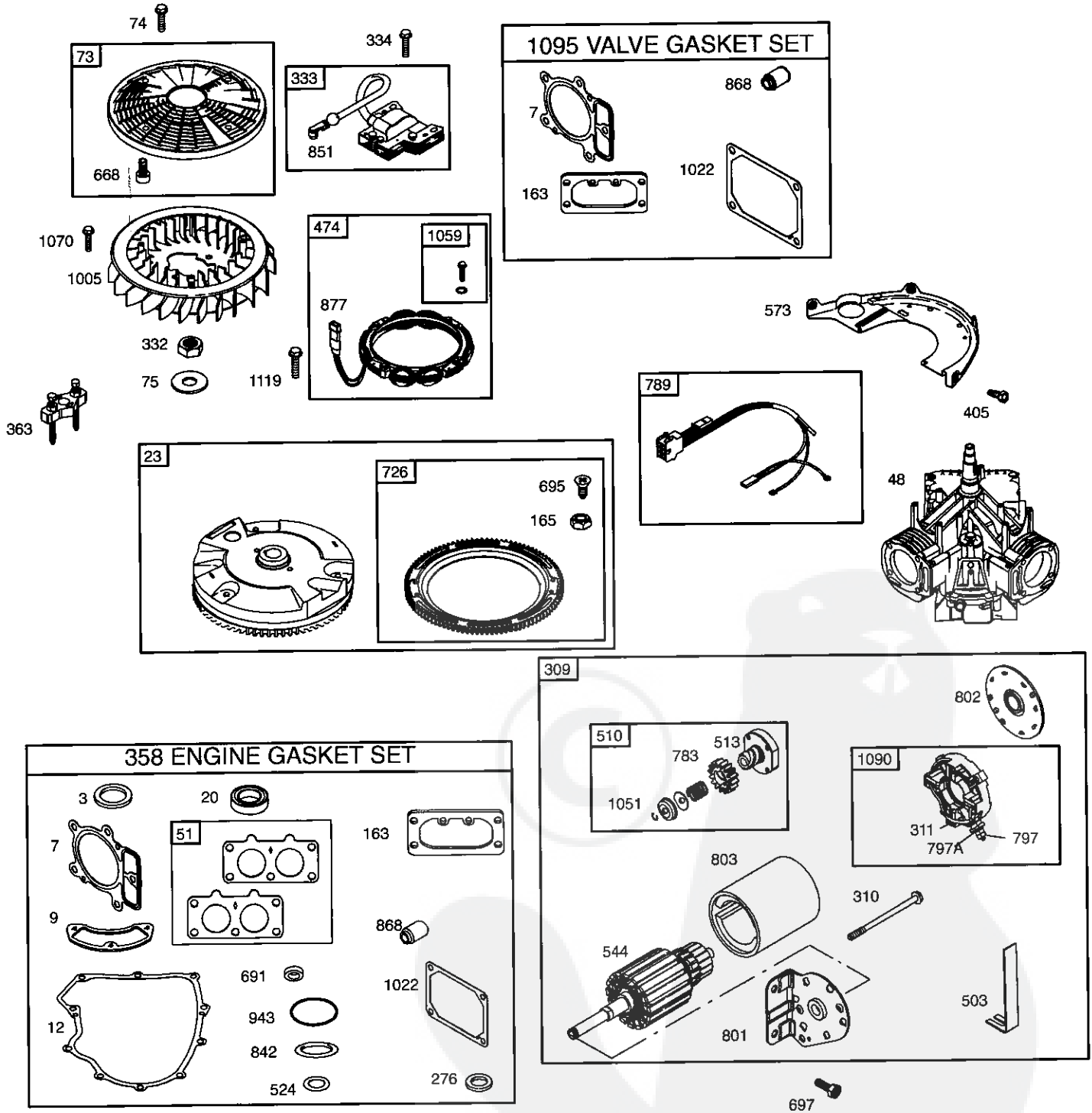
BRIGGS & STRATTON ENGINE - - MODEL NUMBER 441777, TYPE NUMBER 0651-B1



REPAIR PARTS

TRACTOR- -MODEL NO. 917. 274260

BRIGGS & STRATTON ENGINE - - MODEL NUMBER 441777, TYPE NUMBER 0651-B1



REPAIR PARTS

TRACTOR- -MODEL NO. 917. 274260

BRIGGS & STRATTON ENGINE - - MODEL NUMBER 441777, TYPE NUMBER 0651-B1

KEY NO.	PART NO.	DESCRIPTION	KEY NO.	PART NO.	DESCRIPTION
1	699753	Cylinder Assembly	130	690993	Valve-Throttle
2	499585	Kit-Bushing/Seal (Magneto Side)	131	499805	Kit-Throttle Shaft
3	391086s	• Seal-Oil (Magneto Side)	133	699724	Float-Carburetor
4	699747	Sump-Engine	135	699729	Tube-Fuel Transfer
5	693998	Head-Cylinder (Cylinder 1)	137	690994	Ø Gasket-Float Bowl
5A	693999	Head-Cylinder (Cylinder 2)	141	699722	Kit-Choke Shaft
7	693997	•+ Gasket-Cylinder Head	142	699726	Nozzle-Carburetor
8	792185	Breather Assembly	146	690979	Key-Timing
9	690937	• Gasket-Breather	150	690995	Gasket-Nozzle
10	691108	Screw (Breather Assembly)	160	699727	Retainer-Solenoid
11	792184	Tube-Breather	163	691001	Gasket-Air Cleaner
12	697227	• Gasket-Crankcase	165	693148	Nut (Ring Gear)
13	791130	Screw (Cylinder Head)	187	791766	Line-Fuel (Cut to Required Length)
15	690946	Plug-Oil Drain	187A	791801	Line-Fuel (Molded)
16	699700	Crankshaft	188	691108	Screw (Control Bracket)
20	690947	• Seal-Oil (PTO Side)	192	690083	Adjuster-Rocker Arm
22	694966	Screw (Engine Sump)	209	697674	Spring-Governor
23	691054	Flywheel	211	691019	Spring-Governed Idle
24	222698s	Key-Flywheel	212	695238	Link-Throttle
25	792117	Piston Assembly (Standard)	213	691021	Bracket-Choke Control
25	792144	Piston Assembly (.020" Oversize)	216	691022	Link-Choke
26	792026	Ring Set-Piston (Standard)	219	698231	Gear-Governor
26	792073	Ring Set-Piston (.020" Oversize)	220	690412	Washer (Governor Lever)
27	690975	Lock-Piston Pin	222	698757	Bracket-Control
28	690229	Pin-Piston	227	792492	Lever-Governor Control
29	699699	Rod-Connecting	231	690718	Screw (Choke Valve)
32	690976	Screw (Connecting Rod)	240	691035	Filter-Fuel
33	499596	Valve-Exhaust	250	690957	Retainer-Breather
34	697464	Valve-Intake	252	690956	Collector-Oil
35	690963	Spring-Valve (Intake)	265	691024	Clamp-Casing
36	690963	Spring-Valve (Exhaust)	267	695134	Screw (Casing Clamp)
42	499586	Keeper-Valve	276	690997	Ø+ Washer-Sealing
45	690977	Tappet-Valve	287	691108	Screw (Dipstick Tube)
46	790562	Camshaft	304	790688	Housing-Blower
48	698172	Short Block	305	691005	Screw (Blower Housing)
50	695241	Manifold-Intake	305A	790690	Screw (Blower Housing)
51	791677	• Ø‡ Gasket-Intake	309	497595	Motor-Starter
53	690951	Stud (Carburetor)	310	690323	Bolt-Starter Motor
54	699816	Screw (Intake Manifold)	311	497608	Brush Set
54A	695239	Screw (Intake Manifold)	332	691059	Nut (Flywheel)
73	499439	Screen-Rotating	333	691060	Armature-Magneto
74	698425	Screw (Rotating Screen)	334	691061	Screw (Magneto Armature)
75	691056	Washer (Flywheel)	337	691043	Plug-Spark
95	690718	Screw (Throttle Valve)			
98	699721	Kit-Idle Speed			
104	694918	Ø Pin-Float Hinge			
105	698537	Ø Valve-Float Needle			
108	699723	Valve-Choke			
117	699732	Jet-Main (Standard)			
117A	699733	Jet-Main (Standard)			
118	699733	Jet-Main (High Altitude)(Left)			
118A	699458	Jet-Main (High Altitude)(Right)			
121	699734	Kit-Carburetor Overhaul			
125	699709	Carburetor			
127	698810	Plug-Welch			

- Included in Engine Gasket Set, Key. No. 358
- Ø Included in Carburetor Overhaul Kit, Key. No. 121
- ‡ Included in Carburetor Gasket Set, Key. No. 977
- + Included in Valve Gasket Set, Key. No. 1095

NOTE: All component dimensions given in U.S. inches 1 inch = 25.4 mm

REPAIR PARTS

TRACTOR- -MODEL NO. 917. 274260

BRIGGS & STRATTON ENGINE - - MODEL NUMBER 441777, TYPE NUMBER 0651-B1

KEY NO.	PART NO.	DESCRIPTION	KEY NO.	PART NO.	DESCRIPTION
358	694012	Set-Engine Gasket	842	691031	• Seal-Dipstick/Tube
363	19203	Flywheel Puller	847	499602	Dipstick/Tube Assembly
383	19374	Wrench-Spark Plug	851	493880s	Terminal-Spark Plug
385	691108	Screw (Fuel Pump)	865	691012	Cover-Air Guide
387	808656	Pump-Fuel	865A	691014	Cover-Air Guide
404	690442	Washer (Governor Crank)	865B	691015	Cover-Air Guide
405	697820	Screw (Back Plate)	868	690968	*+ Seal-Valve
415	690283	Plug (Crankcase Cover/Sump)	877	393456	Wire/Connector-Alternator
415A	690283	Plug (Intake Manifold)	914	691127	Screw (Rocker Cover)
418	690999	Plate-Carburetor	918	694000	Hose-Vacuum
431	790816	Elbow-Intake	929	691003	Screw (Choke Control Bracket)
445	499486s	Filter-Air Cleaner Cartridge	943	690589	• Seal-O Ring (Oil Pump Cover)
447	691003	Screw (Air Guide Cover)	947	699728	Solenoid-Fuel
447A	691108	Screw (Air Guide Cover)	965	499613	Cover-Oil Pump
467	691008	Knob-Air Cleaner	967	273638s	Filter-Pre Cleaner
467	790697	Knob-Air Cleaner	968	790689	Cover-Air Cleaner
474	696459	Alternator	975	499810	Bowl-Float
503	691532	Strap-Ground	977	699735	Gasket Set-Carburetor
505	691029	Nut (Governor Control Lever)	987	691000	Ø Seal-Throttle Shaft
510	696541	Drive-Starter	1005	790698	Fan-Flywheel
513	692024	Clutch-Drive	1013	690954	Nipple-Oil Filter
523	691036	Dipstick	1017	690770	Screen-Oil Pump
524	691032	• Seal-Dipstick Tube	1022	690971	*+ Gasket-Rocker Cover
525	691037	Tube-Dipstick	1023	499599	Cover-Rocker (Cylinder 1)
544	692034	Armature-Starter	1023A	499600	Cover-Rocker (Cylinder 2)
552	690552	Bushing-Governor Crank	1024	499054	Pump-Oil
552A	690553	Bushing-Governor Crank	1026	690981	Rod-Push (Steel)
562	690311	Bolt (Governor Control Lever)	1026A	690982	Rod-Push (Aluminum)
573	790444	Plate-Back	1027	492932s	Filter-Oil
601	691038	Clamp-Hose	1029	690972	Arm-Rocker
615	698290	Retainer-Governor Shaft	1035	691042	Shaft-Pump
616	691045	Crank-Governor	1036	792019	Label-Emissions
617	697891	Seal-O Ring (Intake Manifold)	1051	691265	Ring-Retaining
628	691108	Screw (Fuel Pump Bracket)	1058	276245	Owner's Manual
633	690998	Ø Seal-Choke/Throttle Shaft	1059	698516	Kit-Screw/Washer
635	66538s	Boot-Spark Plug	1070	690372	Screw (Flywheel Fan)
654	690958	Nut (Carburetor)	1090	691293	Retainer-Brush
668	691215	Spacer	1095	699735	Kit-Valve Overhaul
672	690234	Gasket-Carburetor Plate	1100	791959	Pivot-Rocker Arm
691	790574	• Seal-Governor Shaft	1119	691183	Screw (Alternator)
695	693149	Screw (Ring Gear)	1123	699725	Seal-O Ring (Solenoid Retainer)
697	690372	Screw (Drive Cap)	1124	690988	Seal-O Ring (Fuel Transfer Tube)
703	691010	Clip	1126	690991	Screw (Fuel Transfer Tube)
718	690959	Pin-Locating	1127	690992	Screw (Float Bowl)
726	499612	Gear-Ring	1128	690990	Screw (Carburetor Nozzle)
741	690980	Gear-Timing	1329	441777-0025	Replacement Engine (Transfer the speed limiter control assembly to the replacement engine. Transfer the governor spring to the replacement engine).
742	690328	Retainer-E Ring			Repair Manual
750	696999	Screw (Oil Pump Cover)	1330	273521	Extension-Fuel Transfer Tube
783	695708	Gear-Pinion	1342	699731	
788	691039	Bracket-Fuel Pump			
789	698330	Harness-Wiring			
797	691029	Nut (Brush Retainer)			
797A	693167	Nut (Brush Retainer)			
798	697890	Screw (Rocker Arm)			
801	691283	Cap-Drive			
802	691286	Cap-End			
803	--- ----	Housing-Starter (Service with complete Starter Motor 497595)			

NOTE: All component dimensions given in U.S. inches 1 inch = 25.4 mm

LIMITED WARRANTY ON CRAFTSMAN TRACTOR AND BATTERY

2-YEAR ON TRACTOR

When used and maintained according to the operator's manual instructions, if this tractor fails due to a defect in material or workmanship within two years from the date of purchase, call 1-800-4-MY-HOME® to arrange for free repair.

During the first 30 days of purchase, there will be no charge to service the product in your home. For your convenience, in-home warranty service will still be available after the first 30 days of purchase, but a trip charge will apply. This charge will be waived if you transport the product to an authorized Craftsman drop-off location. For the nearest authorized location, call 1-800-4-MY-HOME®.

Tractor warranty coverage does not include:

- Expendable items which become worn during normal use, including but not limited to blades, spark plugs, air cleaners, belts, and oil filters.
- Standard maintenance servicing, oil changes, or tune-ups.
- Tire replacement or repair caused by punctures from outside objects, such as nails, thorns, stumps, or glass.
- Repairs necessary because of operator abuse, including but not limited to damage caused by towing objects beyond the capability of the tractor, impacting objects that bend the frame or crankshaft, or over-speeding the engine.
- Repairs necessary because of operator negligence, including but not limited to electrical and mechanical damage caused by improper storage, failure to use the proper grade and amount of engine oil, failure to keep the deck clear of flammable debris, or failure to maintain the equipment according to the instructions contained in the operator's manual.
- Engine (fuel system) cleaning or repairs necessary because of fuel determined to be contaminated or oxidized (stale). In general, fuel should be used within 30 days of its purchase date.
- Normal deterioration and wear of the exterior finishes, or product label replacement.
- The tractor battery, which is covered for only 90 days as stated below.

90-DAYS ON BATTERY

For ninety (90) days from the date of purchase, if the battery included with this tractor is defective in material or workmanship (our testing proves it will not hold a charge), it will be replaced free of charge.

During the first 30 days of purchase, there will be no charges to replace the battery in your home. For your convenience, in-home warranty service will still be available after the first 30 days of purchase, but a trip charge will apply. This charge will be waived if you transport the battery to an authorized Craftsman drop-off location. For the nearest authorized location, call 1-800-4-MY-HOME®.

All tractor and battery warranty coverage is void if this product is used for commercial or rental purposes.

This warranty applies only while this product is within the United States.

This warranty gives you specific legal rights, and you may also have other rights, which vary, from state to state.

Sears, Roebuck and Co., Dept. 817WA, Hoffman Estates, IL 60179



CRAFTSMAN®