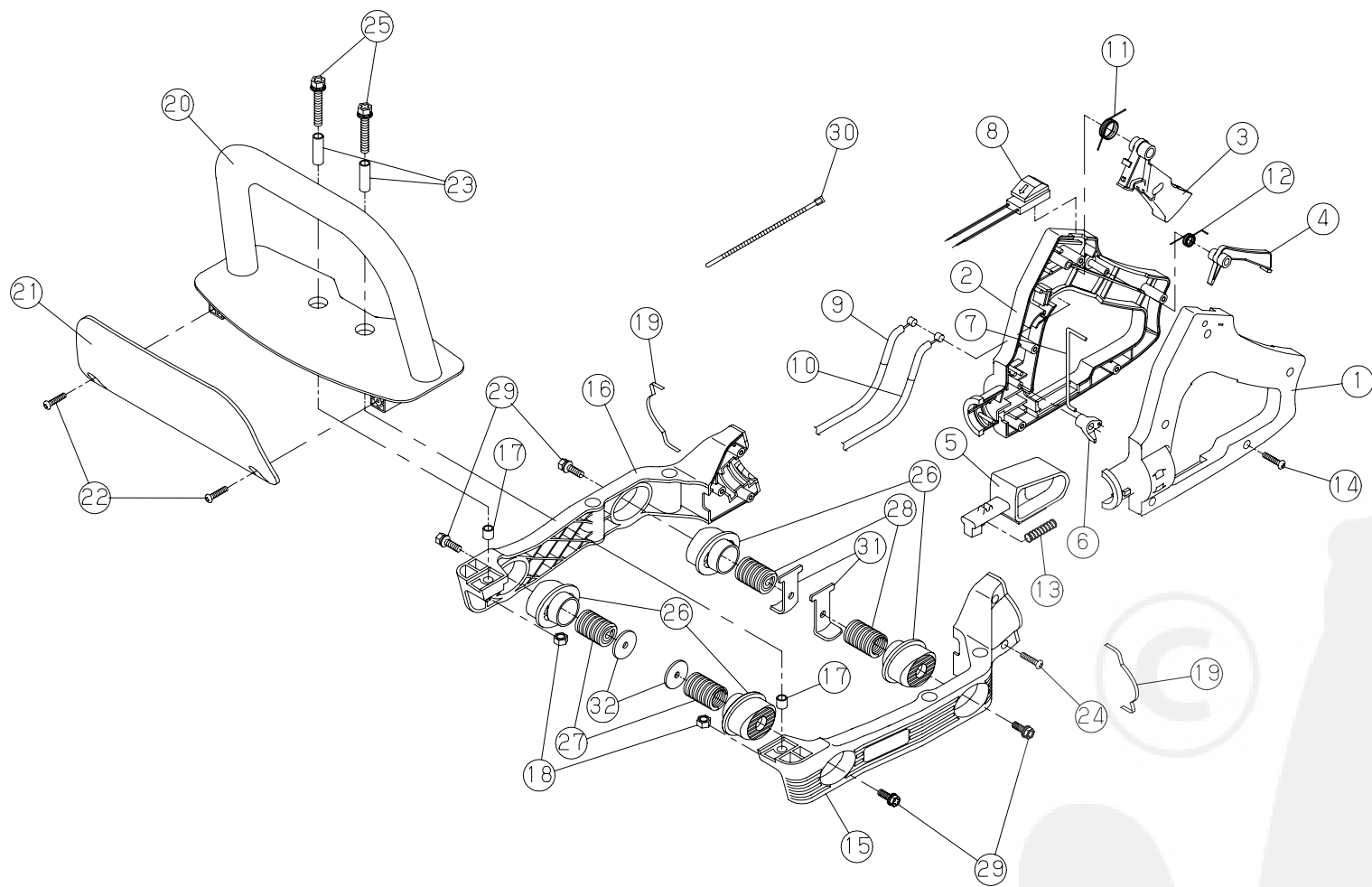


得意先	仕向先	基本仕様
マルナカ	欧州	E8F-600
得意先型式名称	得意先品番	落合型式品番
		TE8F0603D10

MODEL : HEDGE TRIMMER MODEL HFX600DT-DELUXE/HFX750DT-DELUXE

REF.NO.	PARTS CODE	DESCRIPTION	QUANTITY / 1 UNIT
EXPLODED-VIEWS NO.1 FRAME AND BLADE PART			
1	TE1-A041000	CLUTCH CASE	1
2	K054-050160	UPSET P2 M5X16	4
3	TE5-A005000	CRANKCASE UPPER	1
4	136-141	CLUTCH DRUM	1
5	TE1-A042000	PINION GEAR R	1
6	TE1-A045000	ROD SLIDE PLATE	2
7	K354-060010	DEEP GROVE BALL BEARING UU 6001	1
8	K353-006080	DEEP BALL BEARING ZZ 608	3
9	R055-000100	GREASE NIPPLE	1
10	K010-030050	PAN SMALL SCREW M3X5	4
11	TE5-A006000	CRANKCASE LOWER	1
12	TE1-A043000	CRANKGEAR ASSY	1
13	TE1-A044000	ROD	2
14	A286-112004	FELT	1
15	TE1-A046000	RETAINER PLATE 600mm FOR HFX600DT-DELUXE	1
	TE1-A056000	RETAINER PLATE 750mm FOR HFX750DT-DELUXE	1
16	TE4-B330600	BLADE 600mm FOR HFX600DT-DELUXE	2
	TE4-B330700	BLADE 750mm FOR HFX750DT-DELUXE	2
17	A287-110002	PLATE GUARD	1
18	A325-103004	CENTER REST	1
19	K283-026000	C SHAPE SNAP STW 26	1
20	K054-050160	UPSET P2 M5X16	6
21	A040-002009	BRADE SLIDE SCREW L=19	3
22	G040-005000	BRADE SLIDE SCREW L=26	1
23	K164-060000	U SCREW NUT M6	4
24	008-250	BRADE SLIDE WASHER	4
25	K055-05016W	UPSET P3 M5X16(WITH BOND)	1
26-28	TE1-A047000	BRAKE BAND R COMP.	1 SET
INCL.	TE1-A047010	BRAKE LEVER R	1
	TE1-A048000	BRAKE BAND R ASSY	1
	K274-04014W	SPRING PIN 4.0X14	1
29	K012-040100	TRUSS SMALL SCREW M4X10	1
30	TE1-A049000	ADJUST BOLT	1
31	TE1-A055000	SMALL HEXAGON NUT M6	2
32	G001-000180	SPRING 1.0 10 33	1
33	A028-002039	BLADE COVER 600mm FOR HFX600DT-DELUXE	1
	G028-207354	BLADE COVER 750mm FOR HFX750DT-DELUXE	1
34	TE1-A059000	FRONT STOPPER	1



得意先	仕向先	基本仕様
マルナカ	欧州	E8F-600
得意先型式名称	得意先品番	落合型式品番
		TE8F0603D10

EXPLODED-VIEWS NO.2 REAR HANDLE PART			
1	TE2-1007010	REAR HANDLE L	1
2	TE2-1007020	REAR HANDLE R	1
3	TE2-1007030	THROTTLE LEVER	1
4	TE2-1007040	SAFETY LEVER	1
5	TE2-1007050	LOCK LEVER	1
6	TE2-1007070	LOCK PIN STOPPER	1
7	TE2-1007060	ROD	1
8	G014-222004	SLIDE SW ASSY 433	1
9	G010-000350	THROTTLE CABLE	1
10	G010-000380	BRAKE CABLE	1
11	G003-000030	TORSION SPRING 1.0 14	1
12	G003-000040	TORSION SPRING 0.9 8.4	1
13	A002-050004	COMPRESSION SPRING	1
14	K110-401602	PAN TAPPING 2 4.0X16	5
15	TE2-5002010	VIBRATION INSULATION FLAME L	1
16	TE2-5003010	VIBRATION INSULATION FLAME R	1
17	K232-060080	SPACER	2
18	K164-060000	U SCREW NUT M6	2
19	G052-000990	LINE SEAL	2
20	TE2-3003010	FRONT HANDLE	1
21	TE2-3003020	PROTECTOR	1
22	K113-401602	TRUSS TAPPING 2 4.0X16	2
23	K232-060250	SPACER	2
24	K110-401602	PAN TAPPING 2 4.0X16	3
25	K055-060420	UPSET P3 M6X42	2
26	TE2-5012000	VIBRATION INSULATION DAMPER	4
27	G002-000230	COMPRESSION SPRING 2.6 20 29	2
28	G002-000240	COMPRESSION SPRING 2.6 20 31	2
29	K055-05016W	UPSET P3 M5X16(WITH BOND)	4
30	R035-002000	BANDING BAND(V-100)	1
31	TE1-A058000	REAR STOPPER	2
32	G018-000160	WASHER 5.2 24 2.0	2