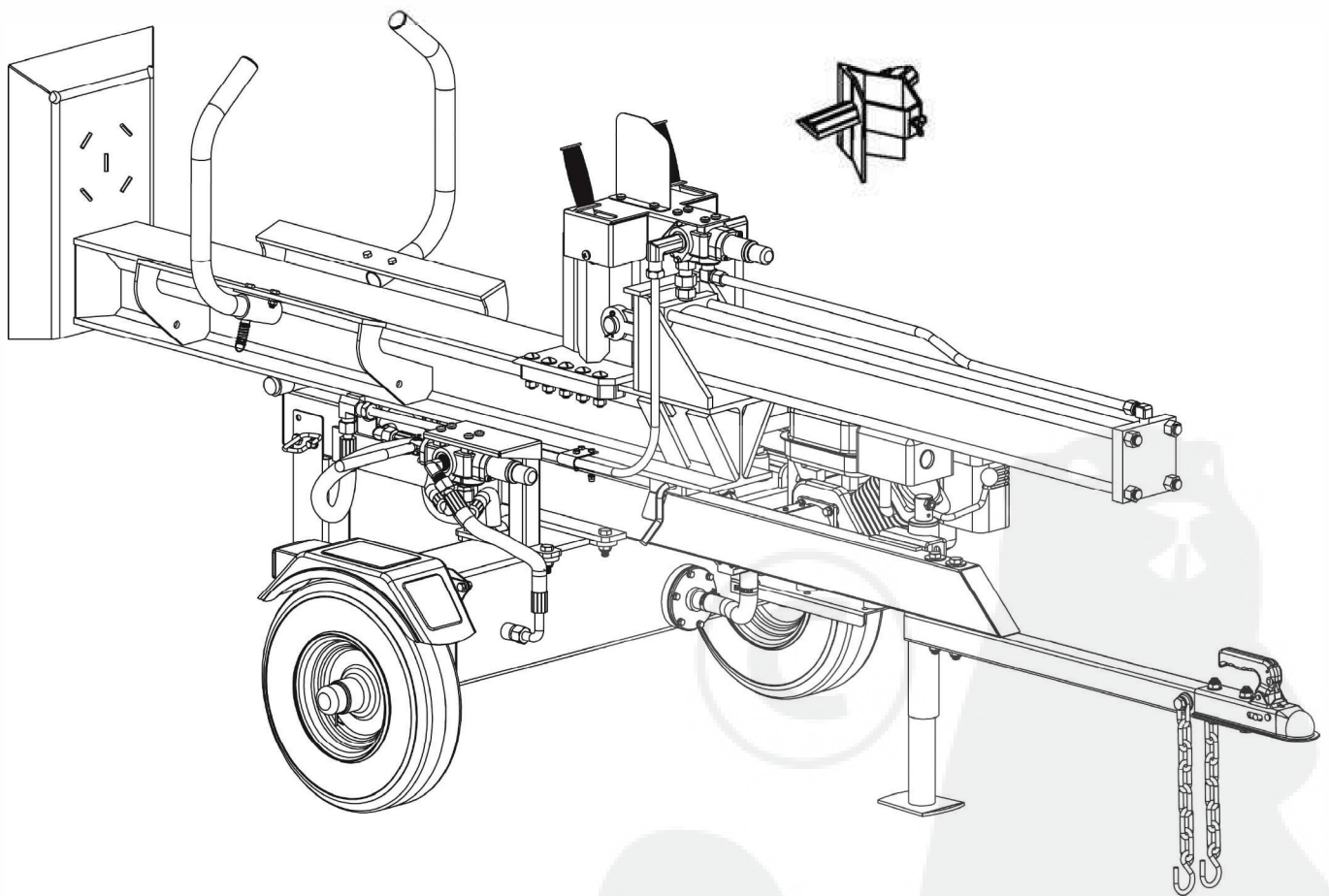


20TON LOG SPLITTER

Log Splitter: Outdoor product that splits wood logs for use as fuel in a fireplace or a woodstove.



• •

• •

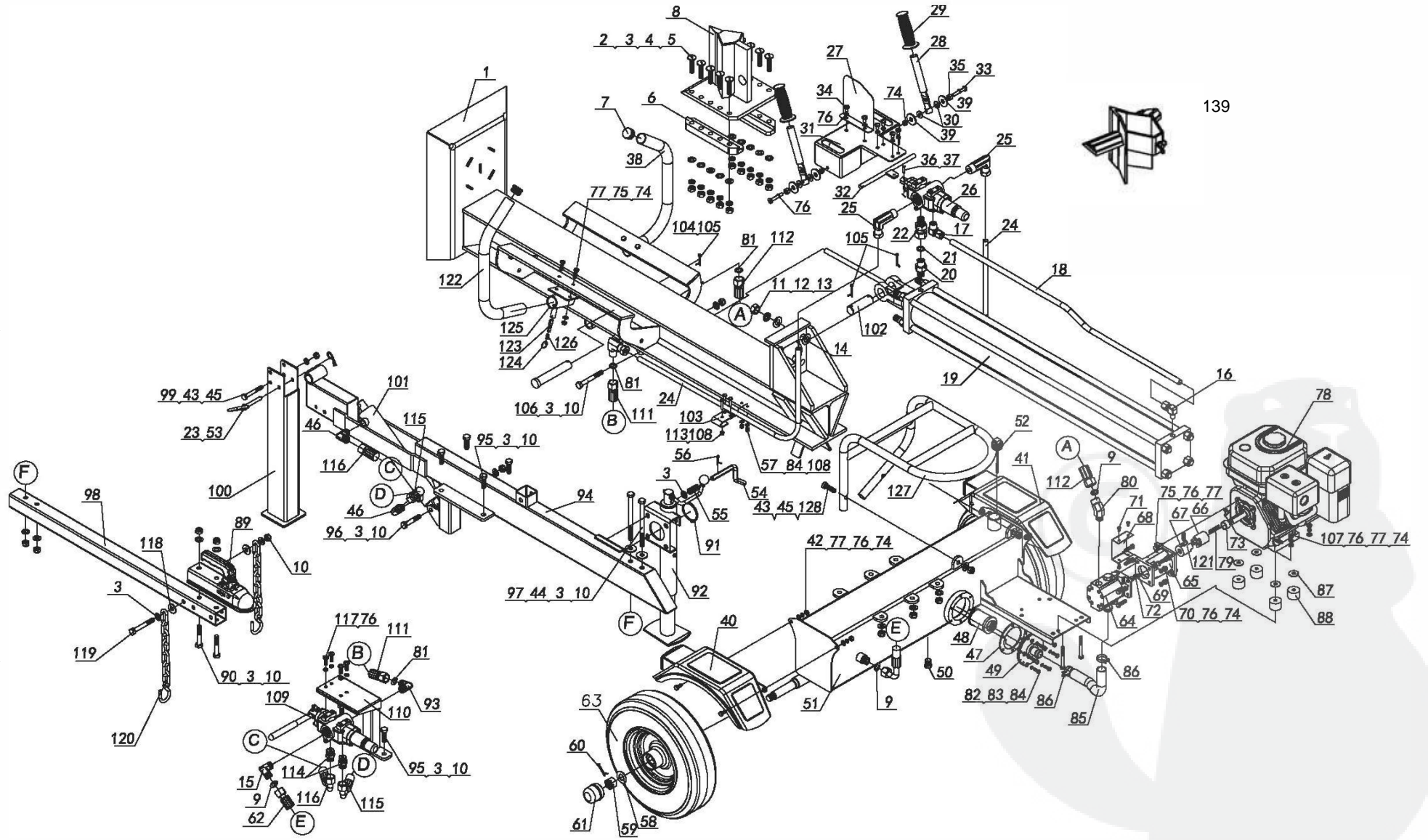
A

WARNING

Read this manual.

Serious injury or death can result if safety instructions are not followed.

©AW N
en
f
W
J
D.
en
O
J



Ref.No.	Drawina No.	Description	Qty
1	LSE20-01000	Beam	1
2	919904-12055-DX12.9	Screw M12x55	10
3	9301-12000-DX	Flat Washer 012	25
4	9306-12000-DX	Loek Washer 012	10
5	9210-12000-DX	Hex Thick Nut M12	10
6	LSA22-03001	Keeper Spacer	2
7	LSA22-00011	Plastic end cap	2
8	LSE20-02000	Wedge	1
9	9901-14x2.5	O Ring 14 x 2.5	3
10	9206-12000-DX	Nylon Loek Nut M12	13
11	9306-18000-DX	Loek Washer 018	4
12	9301-18000-DX	Flat Washer 018	4
13	9201-18000-DX	Hex Nut M18	4
14	LSA22-00024-DX	Adjustable Washer	
15	LSE20-00004-DX	Rioht Anole Connector 2	1
16	LSE20-00005	Cuttino Sleeve Connector B	1
17	LSP25-06000	Connector	1
18	LSE20-00001-DX	Metal Hydraulic Hose 1	1
19	LSE20-08000	Cylinder	1
20	LSA22-00009-DX	Cylinder Head Cover Joint	1
21	9901-16x2.5	O Rina 16x2.5	1
22	LSP25-17000	Active Joint	1
23	LSA22-16000-DX	Handle Ring	1
24	LSE20-00002-DX	Metal Hydraulic Hose 2	2
25	LSE20-00006	Cutting Sleeve Connector	2
26	M3VxxA-00001	Control Valve	1
27	M3VxxA-00002	Spacer Plate	1
28	N290-22001	Handle	2
29	Z330-00002	Plastic Handle Sleeve	2
30	C130-00004	Nylon Washer	4
31	M3VxxA-02000	Frame	1
32	M3VxxA-01000-DX	Connection Tube	1
33	9110-08050-DX	Screw M8x50	2
34	9105-08016-FH	Inner Hex Screw M8x16	6
35	9201-08000-DX	Hex Nut M8	2
36	9403-05026-DX	Hinoe Pin 05x26	1
37	9404-02010-DX	Cotter Pin 0 2x10	1
38	LSE20-08000	Protection Tube	1
39	9302-08000-DX	Big Flat Washer 08	4
40	LSP30-05000	Left Fender	1
41	LSP30-06000	Rioht Fender	1
42	9101-08020-DX8.8Q	Hex Bolt M8x20	4
43	9301-10000-DX	Flat Washer 01 O	3
44	9302-12000-DX	Big Flat Washer 01 O	2
45	9206-10000-DX	Hex Loek Nut M10	3
46	N900-00014	Anole Connector	2
47	LSP25-00021	Rubber Washer	1
48	LSP25-00022	Filter	1

Ref.No.	Drawina No.	Description	Qty
49	LSP25-15000-DX	Filter Mounting Plate	1
50	LSP25-00010-DX	Oil Plug	1
51	LSE20-03000	Oil Tank	1
52	LSP25-13000	Oil Bolt	1
53	LSP25-00012-DX	R Rin	1
54	LSP25-00008-DX	Safety Pin	1
55	LSP25-00003-DX	Spring	1
56	9404-03030-DX	Cotter Pin 03x30	1
57	9101-06025-DX8.8Q	Hex Bolt M6x25	4
58	9301-20000-DX	Flat Washer 020	2
59	LSP25-00020-FH	Slotted Nut M20x1.5	2
60	9404-04036-DX	Cotter Pin 4x36	2
61	LSP25-00009-DX	Axle Cap	2
62	LSE20-00011	Oil Return Pipe	1
63	LSP25-14000	Wheel	2
64	LSP25-10007	Gear Pump	1
65	LSP25-10005	Gear Pump Stand	1
66	LSP25-10002	Engine Connector	1
67	LSP25-10003	Gear Pump Connector	1
68	LSP25-10006	Connector Cover	1
69		Gear Pump Flat Key	1
70	9101-08030-DX8.8	Hex Bolt M8x30	4
71	9101-0501 O-DX8.8	Hex Bolt M5x10	4
72	LSP25-10008-FH	Wire Snap rings for shaft	1
73		Flat Key	1
74	9206-08000-DX	Nylon Lock Nut M8	18
75	9101-08025-DX8.8	Hex Bolt M8x25	8
76	9306-08000-DX	Lock Washer 08	28
77	9301-08000-DX	Flat Washer 08	16
78	LSP25-10001	Engine	1
79	LSP25-10004-DX	Engine Bushing	1
80	LSE35-00002-DX	130° Elbow Connector	1
81	9901-11.2x2.4	O Ring 11.2x2.4	3
82	9101-06020-DX8.8	Hex Bolt M6x20	6
83	9306-06000-DX	Lock Washer 06	6
84	9301-06000-DX	Flat Washer 06	10
85	LSP25-00018	Oil Pipe	1
86	LSP25-00011	Clamp	2
87	9302-10000-DX	Big Flat Washer 01 O	4
88	LSP25-00025	Polyurethane Black	4
89	2104	50mm Coupler	1
90	9101-12070-DX8.8	Hex Bolt M12x70	2
91	9304-62000-FH	Wire Snap rings for shaft	1
92	LSE20-07000	Front Support Leg	1
93	LSE20-00003-DX	Angle Connector	1
94	LSE20-04000	Tow Bar	1
95	9101-12040-DX8.8	Hex Bolt M12x40	6
96	9101-12065-DX12.9	Hex Bolt M12x65	1

Ref.No.	Drawina No.	Description	Qty
97	9101-12170-DX8.8Q	Hex Bolt M12x170	2
98	LSE20-00018	Lençitheniçi Tow Bar	1
99	9101-10075-DX8.8	Hex Bolt M10x75	1
100	LSA22-15000	Rear Support Leg	1
101	N29L-08000	Lift Cylinder	1
102	LSE20-00013-DX	Wedçie Pin	1
103	LSL20E-00002	Hose Clamp	2
104	LSA22-00015-DX	Hinge Pin	1
105	9404-04040-DX	Cotter Pin 4x40	3
106	9101-12100-DX12.9	Hex Bolt M12x100	1
107	9101-08065-DX8.8	Hex Bolt M8x65	4
108	9206-06000-DX	Hex Loek Nut M6	6
109	LSM30-05000	Control Valve	1
110	LSE20-05000	Valve Mounting Plate	1
111	LSE20-00008	Hydraulic Hose(Connector B- Valve B)	1
112	LSE20-00015	Hvdraulic Hose(Connector A-çiear pump)	1
113	9101-06030-DX8.8	Hex Bolt M6 x 30	2
114	LSE20-09000	Throttle Connector	2
115	LSE20-0001 0	Hvdraulic Hose B (lift cylinder)	1
116	LSE20-00009	Hvdraulic Hose A (lift cylinder)	1
117	9110-08025-DX	Screw M8x25	4
118	LSP25-00015-DX	Thick Washer	2
119	9101-12090-DX	Hex Bolt M12x90	1
120	LSP25-11000-DX	Safety Chain	2
121	9121-06010-FH	Inner Hex Cone Point Set Screw M6x10	1
122	LSE2201-00001	Protection Tube A	1
123	Z330-00008-DX	Pawl	1
124	Z330-00017-DX	Key Ring	1
125	LSE2201-02000	Protection Tube Seat	1
126	Z330-00003-FH	Sprinçi B	1
127	LSE20-10000	Ençiine Guide	1
128	9101-10050-DX8.8	Hex Bolt M10x50	2
129	LSE35-05000	Cross Wedge	1
130	919905-10035-DX	Winçi Bolt M10X35	1



This document was created with the Win2PDF "print to PDF" printer available at <http://www.win2pdf.com>

This version of Win2PDF 10 is for evaluation and non-commercial use only.

This page will not be added after purchasing Win2PDF.

<http://www.win2pdf.com/purchase/>

