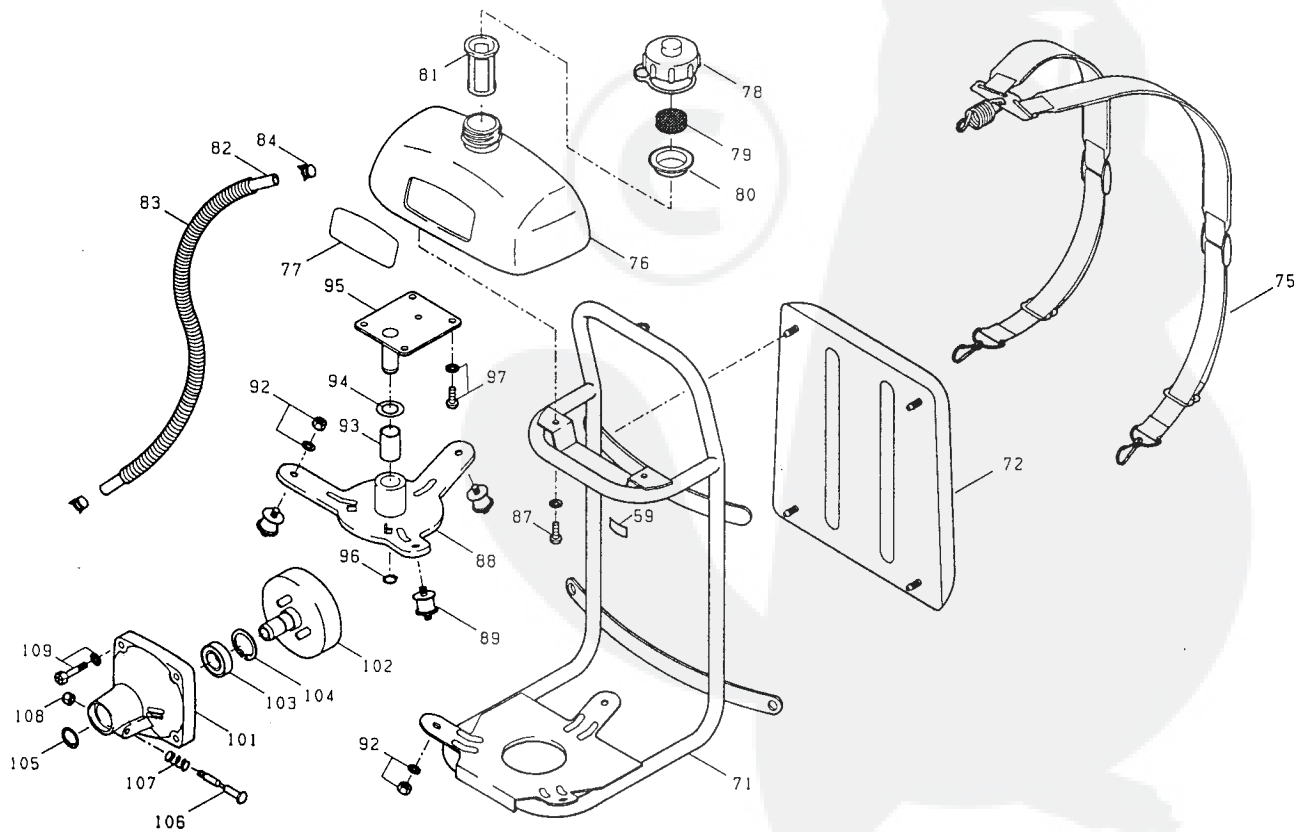
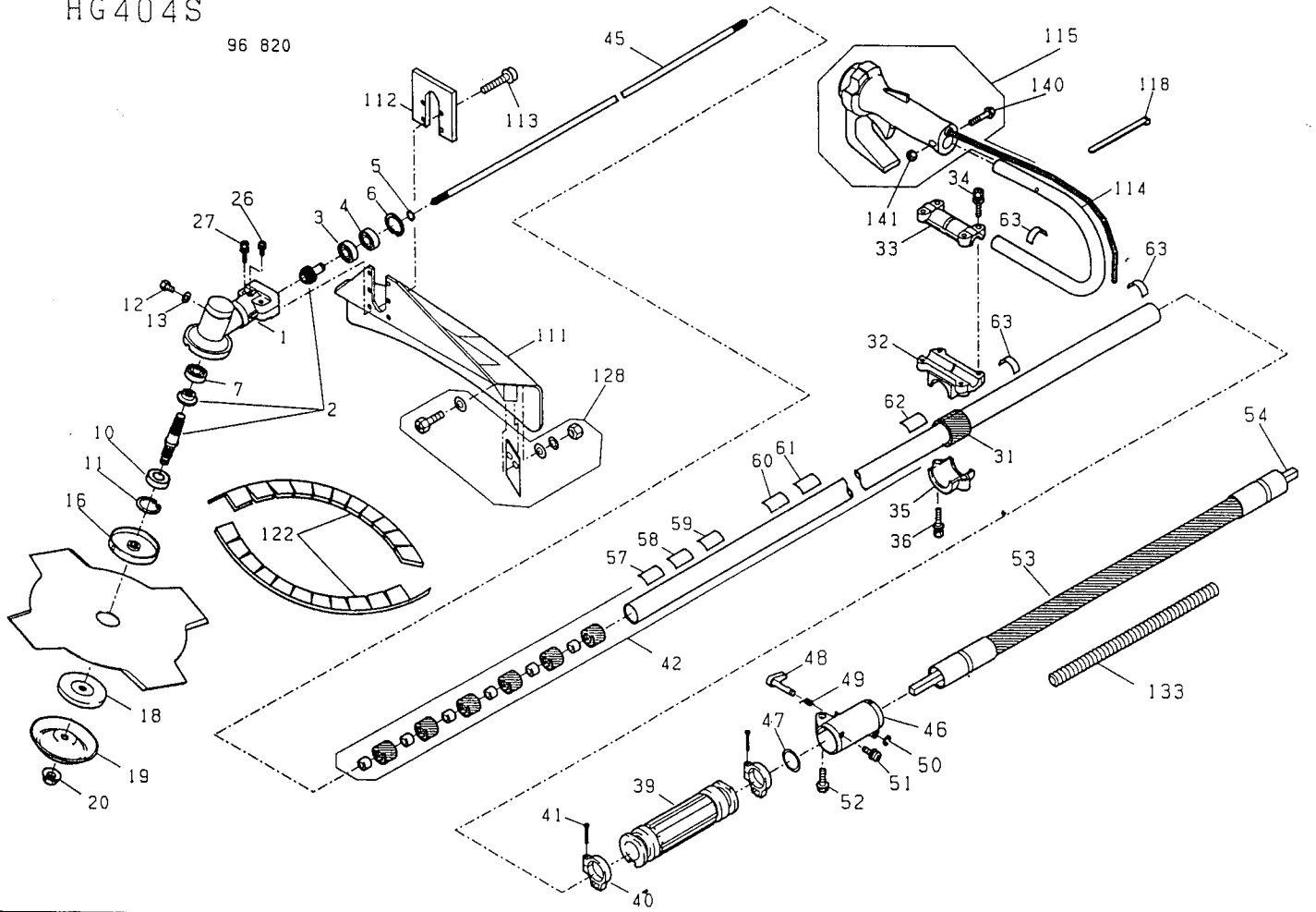


MA404

HG404S

96 820



HG404S

96 626

No.	CODE No.	NAME	QTY	REMARKS	
				SIZE	ORIGINAL MODEL
1-27	1666939	GEAR CASE ASS'Y	1		
1	1656235	GEAR CASE	1		
2	1667120	GEAR ASS'Y	1		H26
3	0045020	PINION BEARING	1		FG404
4	0045500	PINION BEARING	1		FG404
5	0082010	STOP RING	1		FG404
6	0083160	STOP RING	1		FG404
7	0045020	GEAR BEARING	1		FG404
10	0047010	SHAFT BEARING	1		FG404
11	0083170	STOP RING	1		FG404
12	0011000	OIL HOLE BOLT	1	M8 × 10	
13	1664754	OIL HOLE PACKING	1		F-5
16	1666917	HOLDER CUTTER	1		FG404
18	1666918	CAP CUTTER	1		FG404
19	1650957	STABILIZER	1		FG404
20	1666919	BLADE NUT	1	M10 LEFT	
26	0024210	SCREW	1	M5 × 10	H26
27	0018120	BOLT	2	M6 × 30	
31	2031070	HANDLE DAMPER	1		F-4
32	1665431	HANDLE HOLDER	1		H26
33	1665429	HANDLE HOLDER	1		H26
34	0018120	BOLT	4	M6 × 30	
35	1665433	HANDLE HOLDER	1		H26
36	0018120	BOLT	2	M6 × 30	
39	1652320	HANDLE GRIP	1		FG404
40	1652992	BAND	2		FG404
41	0029120	SCREW	2	M5 × 20	
42	1667133	DRIVE SHAFT HOUSING ASS'Y	1		
45	1666983	DRIVE SHAFT	1		
46-51	1664240	FLEXIBLE HOLDER ASS'Y	1		FG404
46	7140300	FLEXIBLE HOLDER	1		FG404
47	0033580	O-RING	1		FG404
48	7140310	KNOB(B)	1		FG404
49	1664178	KNOB(B) SPRING	1		FG404
50	0080910	SNAP RING	1		FG404
51	0024210	SCREW	1	M5 × 10	
52	0018090	BOLT	1	M6 × 25	
53	1653865	FLEXIBLE SHAFT ASS'Y	1		
54	1653864	FLEXIBLE INNER SHAFT	1		
57	1655770	LABEL	1		H26
58	3333015	LABEL	1		H26
59	1655767	LABEL	1		
60	1655768	LABEL	1		H26
61	1655769	LABEL	1		H26
62	1655771	LABEL	1		H26S
63	1655772	LABEL	3		H26
71	1654084	FRAME	1		FG404
72	1654085	CUSHION	1		FG404
75	1654086	HARNES	1		FG404
76	1654087	FUEL TANK	1		FG404
77	1655802	LABEL	1		
78-80	7140050	TANK CAP ASS'Y	1		FG404
78	2610170	TANK CAP	1		FG404
79	2610180	PACKING	1		FG404

No.	CODE No.	NAME	QTY	REMARKS	
				SIZE	ORIGINAL MODEL
80	2610190	INNER CAP	1		FG404
81	2610200	FILTER	1		FG404
82	1654088	FUEL PIPE	1		FG404
83	1654089	PIPE GUARD	1		FG404
84	0081950	CLAMP	2		FG404
87	0024410	SCREW	2	M6 × 10	
88	1664170	BOTTOM BASE	1		FG404
89	1654093	DAMPER	3		FG404
92	1664243	NUT	6	M6	
93	7159070	COLLAR	1		FG404
94	7159080	WASHER	1		FG404
95	1654094	ENGINE BASE	1		FG404
96	0082060	STOP RING	1		FG404
97	0024450	SCREW	4	M6 × 16	
101-108	1664234	CLUTCH HOUSING ASS'Y	1		FG404
101	1653948	CLUTCH HOUSING	1		FG404
102	7140210	CLUTCH DRUM	1		FG404
103	0046010	CLUTCH BEARING	1		F-5
104	0083190	STOP RING	1		F-5
105	0080610	STOP RING	1		FG404
106	1654099	KNOB(A)	1		FG404
107	1664174	KNOB(A) SPRING	1		FG404
108	1654100	NUT	1	M5	
109	0018120	BOLT	4	M6 × 30	
111	1667117	SAFETY GUARD	1		H26S
112	1666378	SAFETY GUARD HOLDER	1		H26S
113	0018180	SCREW	4	M5 × 16	
114	1665793	HANDLE	1		H26S
115	1655822	THROTTLE LEVER ASS'Y	1		HV
118	0080360	BAND	4		FG404
122	1666953	PROTECTOR	2		
123	1654104	WRENCH	1		F-5
124	1654103	SPANNER	1	10 × 8	
128	1665880	BLADE ASS'Y	1		
133	1655168	TUBE	1		
140	1655775	SCREW	2	M5 × 30	
141	0030080	NUT	2	M5	

MAY04