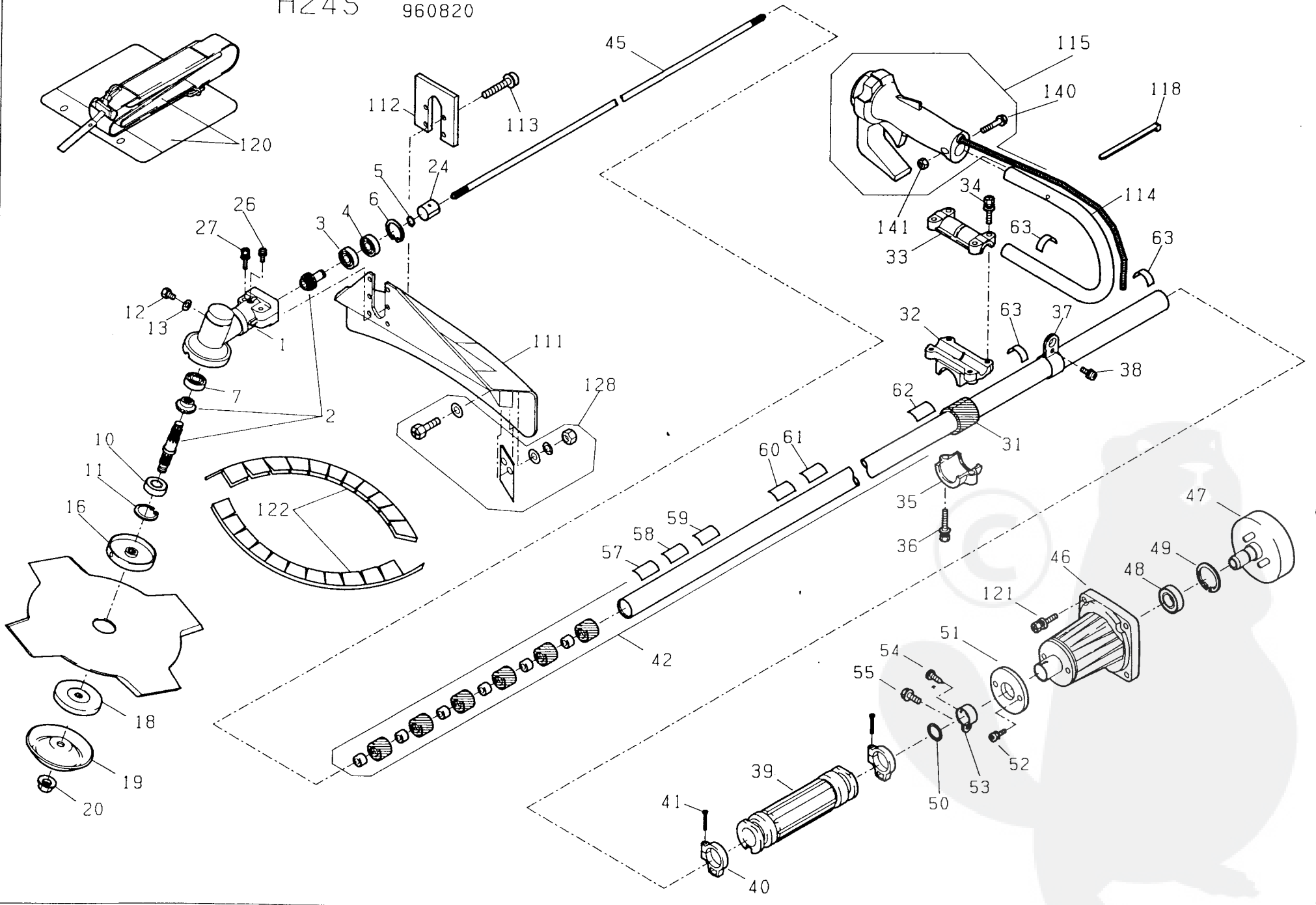


H24S 960820



MA20-MA25

No.	CODE No.	NAME	QTY	REMARKS	
				SIZE	ORIGINAL MODEL
1-20.					
26. 27	1666939	GEAR CASE ASS'Y	1		
1	1656235	GEAR CASE	1		
2	1667120	GEAR ASS'Y	1		H26
3	0045020	PINION BEARING	1		F-4
4	0045500	PINION BEARING	1		F-4
5	0082010	STOP RING	1		F-4
6	0083160	STOP RING	1		F-4
7	0045020	GEAR BEARING	1		F-5
10	0047010	SHAFT BEARING	1		F-4
11	0083170	STOP RING	1		F-4
12	0011000	OIL HOLE BOLT	1	M8 × 10	
13	1664754	OIL HOLE PACKING	1		F-5
16	1666917	HOLDER CUTTER	1		F-4
18	1666918	CAP CUTTER	1		
19	1650957	STABILIZER	1		F-5
20	1666919	BLADE NUT	1	M10 LEFT	
24	1666909	COLLAR	1		
26	0024210	SCREW	1	M5 × 10	
27	0018120	BOLT	2	M6 × 30	
31	2011140	HANDLE DAMPER	1		F-3
32	1665431	HANDLE HOLDER	1		H26
33	1665429	HANDLE HOLDER	1		H26
34	0018120	BOLT	4	M6 × 30	
35	1665433	HANDLE HOLDER	1		H26
36	0018120	BOLT	2	M6 × 30	
37	2011070	HANGER STRAP STEM	1		F-3
38	0024420	SCREW	1	M6 × 12	
39	2011062	HANDOL GRIP	1		F-3
40	1652992	BAND	2		F-3
41	0029120	SCREW	2	5 × 12	
42	1667123	DRIVE SHAFT HOUSING ASS'Y	1		
45	1666942	DRIVE SHAFT	1		H26
46-55	1666984	CLUTCH HOUSING ASS'Y	1		
46	2021000	CLUTCH HOUSING	1		F-3
47	1666948	CLUTCH DRUM	1		
48	0046010	CLUTCH BEARING	1		F-5
49	0083190	STOP RING	1		F-3
50	0080610	STOP RING	1		F-5
51	2022800	CLUTCH HOUSING CAP	1		F-3
52	0024045	SCREW	2	M4 × 12	
53	2022810	HOUSING HOLDER	1		F-3
54	0029060	SCREW	1	5 × 12	
55	1654046	BOLT	1	M6 × 16	
57	1655770	LABEL	1		H26
58	3333015	LABEL	1		H26
59	1655764	LABEL	1		
60	1655768	LABEL	1		H26
61	1655769	LABEL	1		H26
62	1655771	LABEL	1		H26
63	1655772	LABEL	3		H26
111	1667117	SAFETY GUARD	1		H26
112	1666378	SAFETY GUARD HOLDER	1		H26
113	0018180	SCREW	4	M5 × 16	

This is available for the Brush Cutters & Hedge Trimmers shipped from Japan after April 1996.

No.	CODE No.	NAME	QTY	REMARKS	
				SIZE	ORIGINAL MODEL
114	1665793	HANDLE	1		H26S
115	1655821	THROTTLE LEVER ASS'Y	1		H26S
118	0080360	BAND	2		H26
120	1667186	HARNES ASS'Y	1		
121	0018060	BOLT	4	M6 × 20	
122	1666953	PROTECTOR	2		
123	1654104	WRENCH	1		F-5
124	1654103	SPANNER	1	10 × 8	
128	1665880	BLADE ASS'Y	1		H26
140	1655775	SCREW	1	M5 × 30	
141	0030080	NUT	1	M5	

MA 20-MA 25