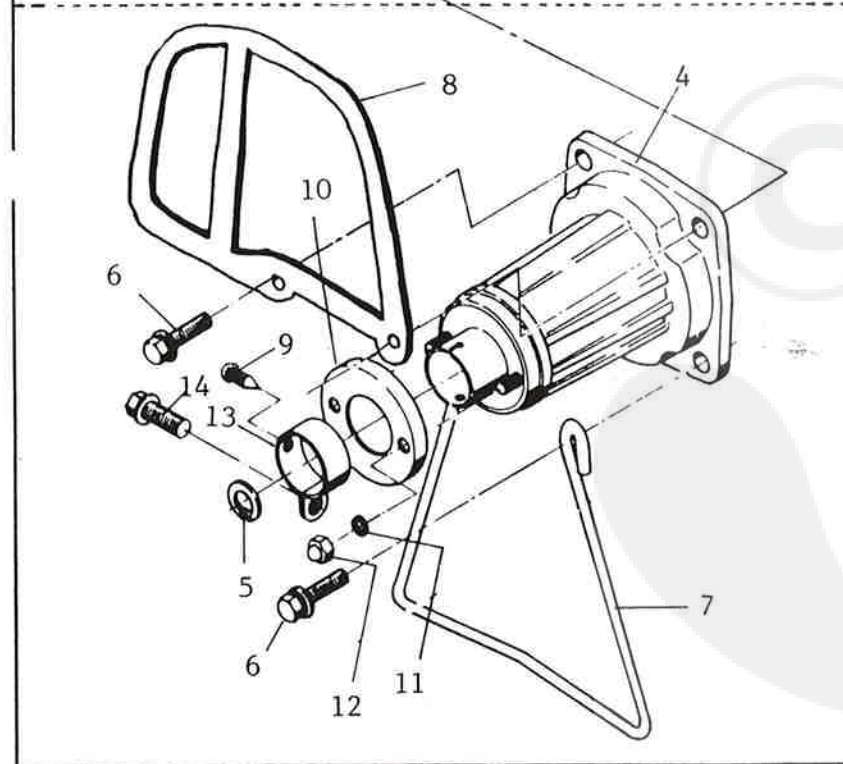
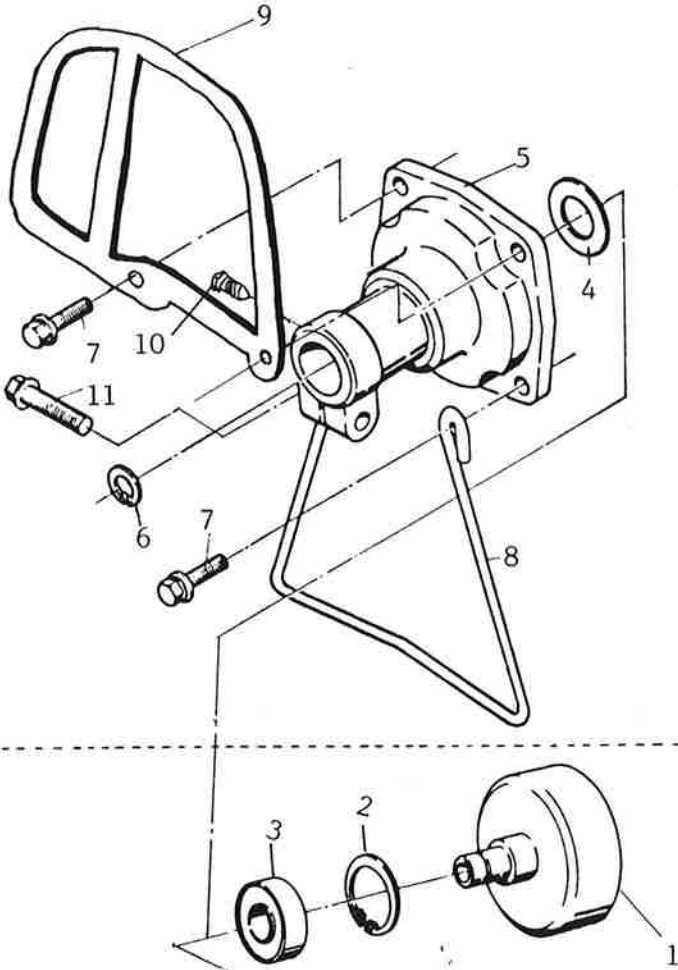
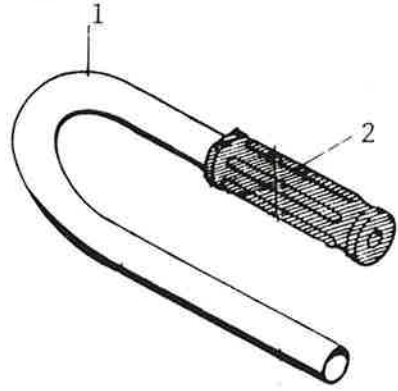


**A** F-1/2 1000 CLUTCH HOUSING

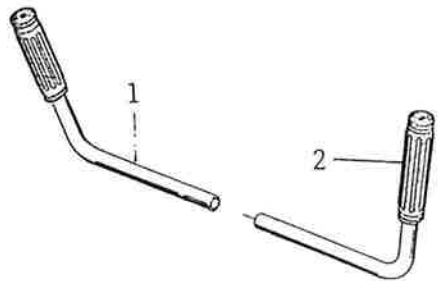


**B** F-3 CLUTCH HOUSING

**C** HANDLE & GRIP

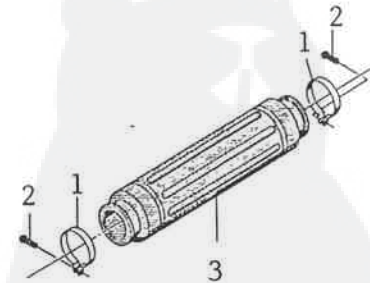


**D** HANDLE & GRIP

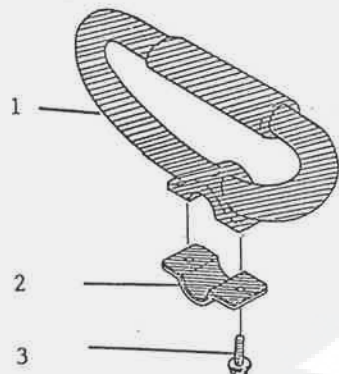


**E** HANDLE & GRIP

(DOUBLE GRIP TYPE)

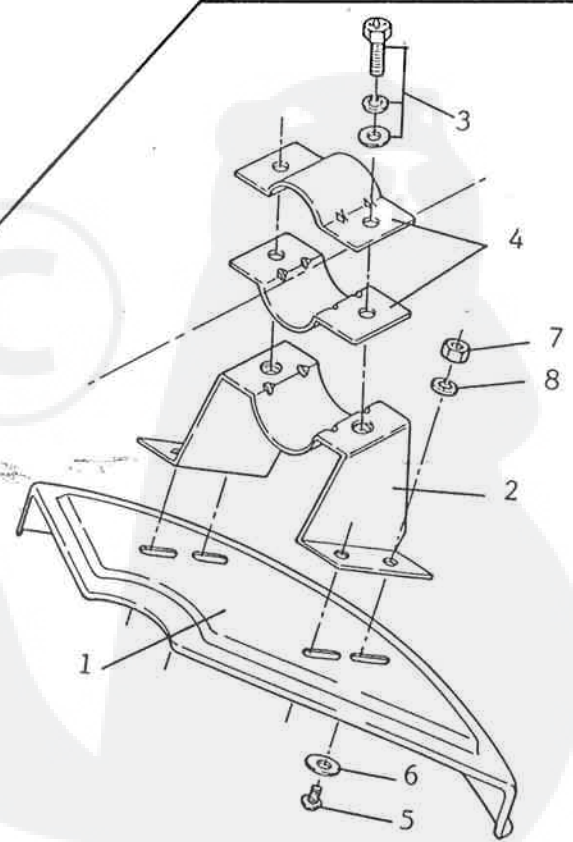
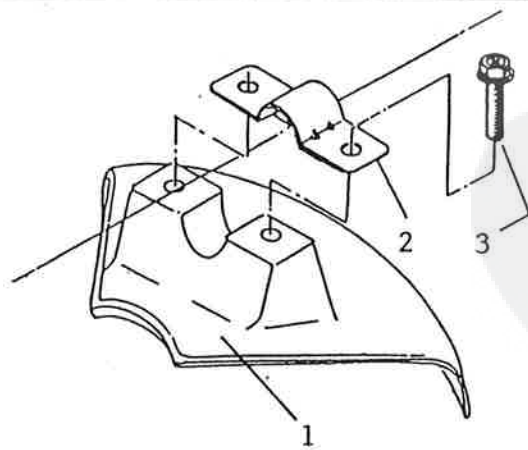
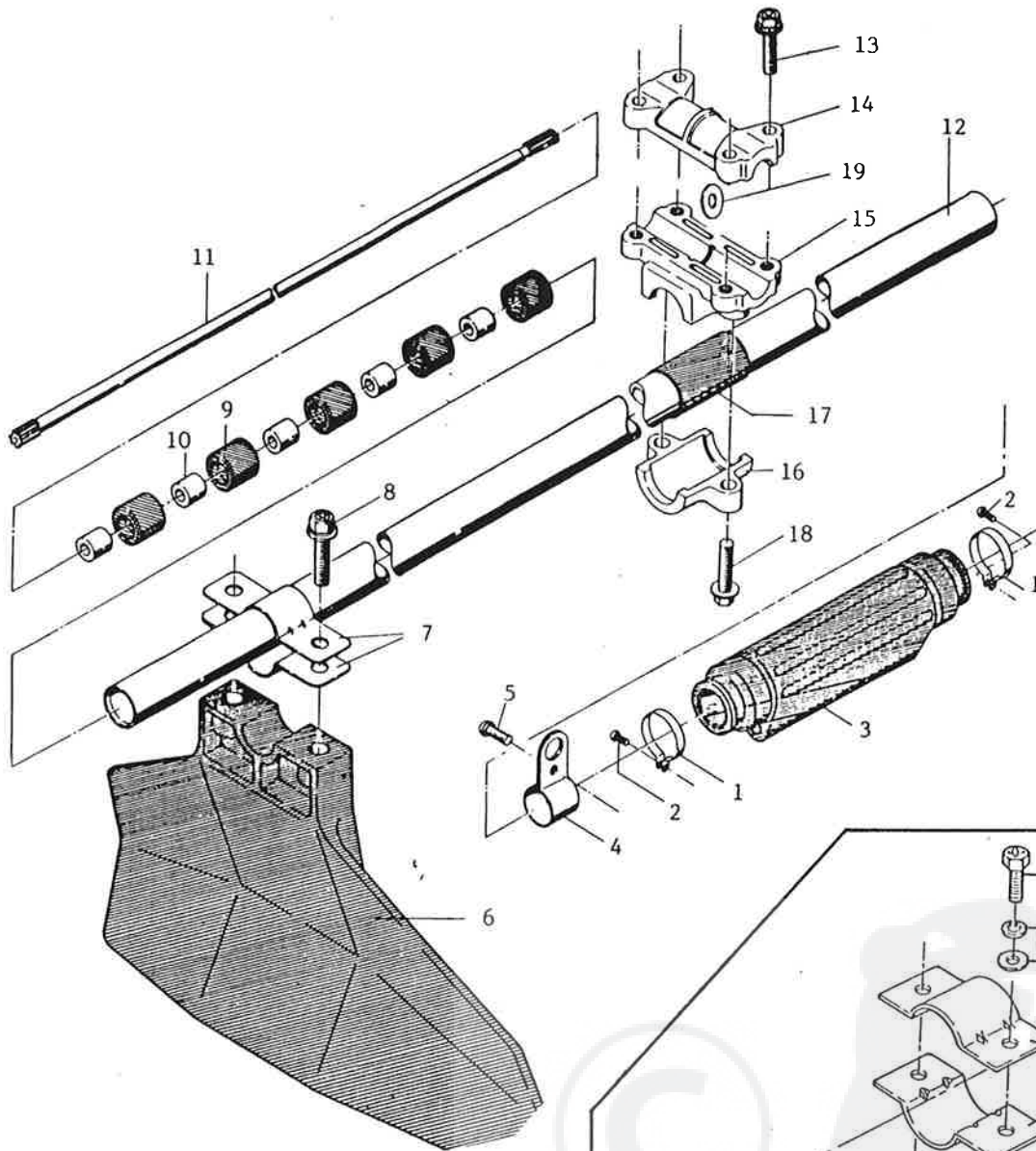


**F** HANDLE & GRIP



# F-1/2/3/1000 BODY PARTS LIST

REF	CODE	NAME	QTY	MODEL	REMARKS
A : F-1/2/1000 CLUTCH HOUSING					
A-1	201-100-1	CLUTCH DRUM	1	F-1/2/3/1000	
A-2	008-319-0	STOP RING (A) #C-32	1	F-1/2/3/1000	C-32
A-3	004-601-0	CLUTCH BEARING #6002ZZ	1	F-1/2/3/1000	#6002ZZ
A-4	201-101-0	BEARING WASHER	1	F-1/2/1000	
A-5	201-102-0	CLUTCH HOUSING	1	F-1/2/1000	
A-5	201-102-OR	CLUTCH HOUSING	1(OP)	F-1/2/1000	RED OP
A-5	201-102-OB	CLUTCH HOUSING	1(OP)	F-1/2/1000	BLUE OP
A-6	008-061-0	STOP RING (B) #S-15	1	F-1/2/3/1000	S-15
A-7	001-809-0	ENGINE BOLT (6X25)	4	F-1/2/3/1000	M6X25
A-8	201-103-0	STAND	1	F-1/2/3/1000	
A-9	201-104-0	ENGINE PROTECTOR	1	F-1/2/3/1000	
A-10	201-127-0	SCREW (A) (5X13)	1	F-1/2/3/1000	M5X13 TAP
A-11	001-809-0	HOUSING BOLT (6X25)	1	F-1/2/3/1000	M6X25
B : F-3 CLUTCH HOUSING					
B-1	201-100-1	CLUTCH DRUM	1	F-1/2/3/1000	
B-2	008-319-0	STOP RING (A) #C-32	1	F-1/2/3/1000	C-32
B-3	004-601-0	CLUTCH BEARING #6002ZZ	1	F-1/2/3/1000	#6002ZZ
B-4	202-100-0	CLUTCH HOUSING	1	F-3	
B-4	202-100-OR	CLUTCH HOUSING	1(OP)	F-3	RED OP
B-4	202-100-OB	CLUTCH HOUSING	1(OP)	F-3	BLUE OP
B-5	008-061-0	STOP RING (B) #S-15	1	F-1/2/3/1000	S-15
B-6	001-809-0	ENGINE BOLT (6X25)	4	F-1/2/3/1000	M6X25
B-7	201-103-0	STAND	1	F-1/2/3/1000	
B-8	201-104-0	ENGINE PROTECTOR	1	F-1/2/3/1000	
B-9	201-127-0	SCREW (A) (5X13)	1	F-1/2/3/1000	M5X13 TAP
B-10	202-101-0	CLUTCH HOUSING CUP	1	F-3	
B-11	003-277-0	SPRING WASHER (M5)	2	F-3	M5
B-12	003-044-0	NUT (M5)	2	F-3	M5
B-13	202-102-0	HOUSING HOLDER	1	F-3	
B-14	001-802-0	BOLT (6X12)	1	F-3	M6X12
C-F : HANDLE & GRIP					
C	201-115-0	SINGLE HANDLE ASS'Y	1	F-1/2/3	INC. C-1-2
C-1	230-012-0	SINGLE HANDLE	1	F-1/2/3	
C-2	201-116-0	HANDLE GRIP	1	F-1/2/3	
D	203-108-0	HANDLE ASS'Y	1	F-1/2/3	INC. D-1-2
D-1	203-109-0	DOUBLE HANDLE	1	F-1/2/3	
D-2	201-116-0	HANDLE GRIP	1	F-1/2/3	
E-1	201-105-0	GRIP BAND	2	F-1/2/3	
E-2	002-005-0	SCREW (5X20)	2	F-1/2/3	M5X20 TAP
E-3	201-101-0	SHAFT GRIP	1	F-1/2/3	
F	201-131-A	LOOP HANDLE ASS'Y	1	F-1000	INC. F-1-3
F-1	201-131-0	LOOP HANDLE BODY	1	F-1000	24MM DIA.
F-2	201-132-0	LOOP HANDLE HOLDER	1	F-1000	24MM DIA.
F-3	001-809-0	BOLT (6X25)	2	F-1/2/3/1000	M6X25

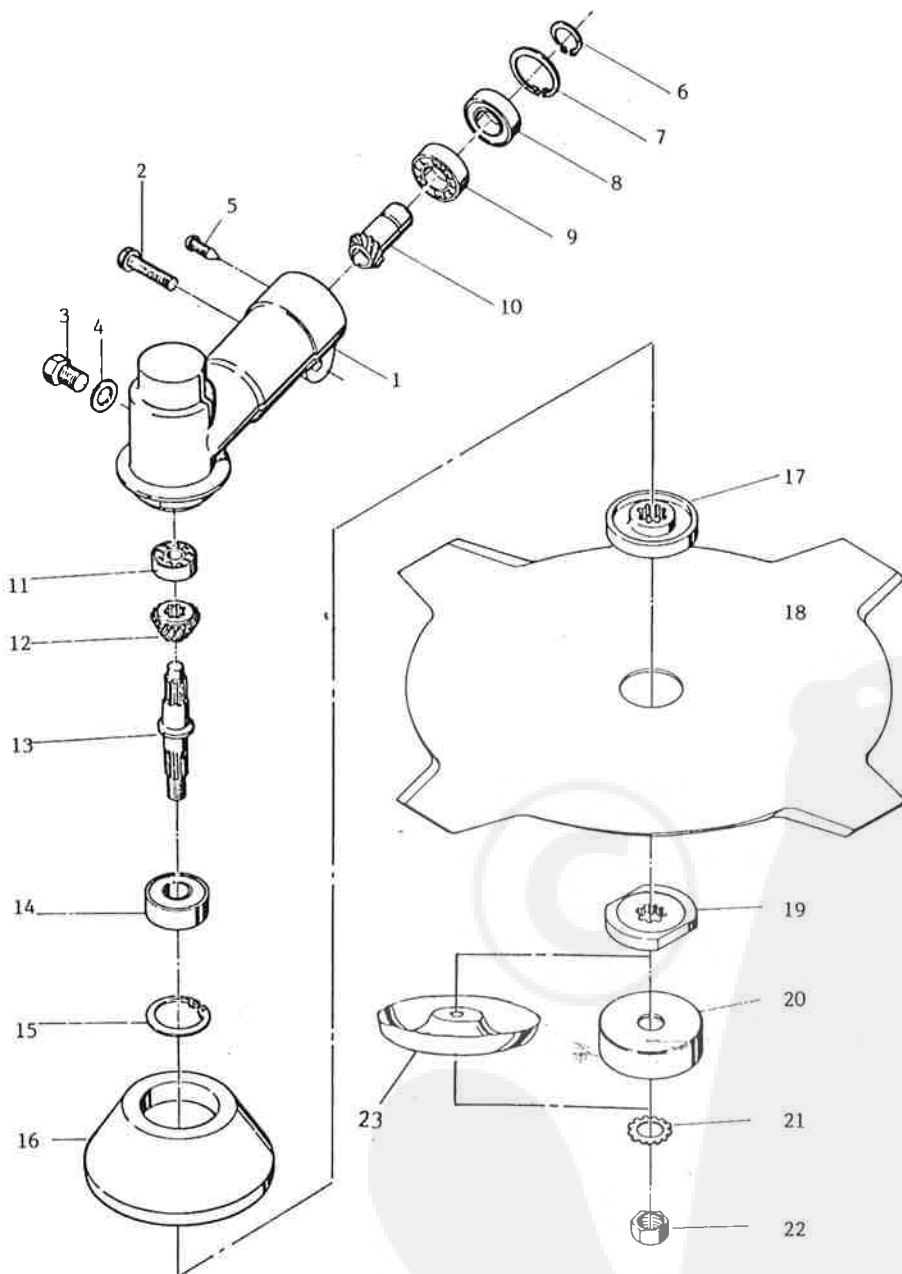
**G****DRIVE SHAFT & SAFETY GUARD****H****F-TYPE SAFETY GUARD****I****F-TYPE SAFETY GUARD**

# F-1/2/3/1000 BODY PARTS LIST

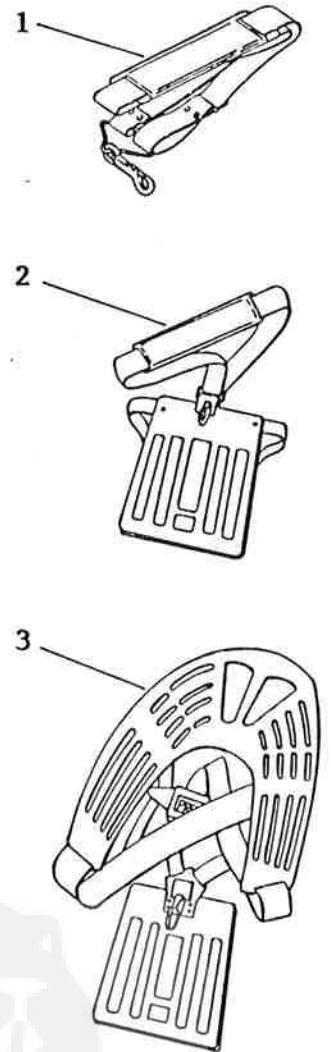
REF	CODE	NAME	QTY	MODEL	REMARKS	EX-GO
<b>G : DRIVE SHAFT &amp; SAFETY GUARD</b>						
G-1	201-105-0	GRIP BAND	2	F-1/2/3/1000		
G-2	002-005-0	SCREW (5X20)	2	F-1/2/3/1000	M5X20 TAP	
G-3	201-106-0	GRIP W/HOLE	1	F-1/2/3/1000		
G-4	201-107-0	HANGER STRAP STEM	1	F-1/2/3/1000		
G-5	002-442-0	SCREW (6X12)	1	F-1/2/3/1000	M6X12	
G-6	201-108-0	SAFETY GUARD	1	F-1/2/3/1000		
G-7	201-109-0	SAFETY GUARD HOLDER	2	F-1/2/3/1000		
G-8	001-809-0	BOLT (6X25)	2	F-1/2/3/1000	M6X25	
G-9	201-110-0	METAL CUSHION	5	F-1/2/3/1000		
G-10	201-111-0	OIL METAL	5	F-1/2/3/1000		
G-11	201-112-0	DRIVE SHAFT	1	F-1/2/3/1000	L=1527MM	
G-12	201-113-0	DRIVE SHAFT HOUSING 24	1	F-1/2/3/1000	L=1493MM	
G-12	201-113-0S	DRIVE SHAFT HOUSING 24	1(OP)	OPTION SILVER	L=1493MM	
G-13A	203-110-0	H. HOLDER ASSY(SILVER)	1	F-1/2/3	INC. G13-18	
G-13	001-809-0	BOLT (6X25)	2	F-1/2/3/1000	M6X25	
G-14	201-117-0	HANDLE HOLDER (A)	1	F-1/2/3	SILVER	
G-14	201-117-OR	HANDLE HOLDER (A)	1(OP)	OPTION	RED	
G-14	201-117-OB	HANDLE HOLDER (A)	1(OP)	OPTION	BLUE	
G-15	201-118-0	HANDLE HOLDER (B)	1	F-1/2/3	SILVER	
G-15	201-117-OR	HANDLE HOLDER (B)	1(OP)	OPTION	RED	
G-15	201-117-OB	HANDLE HOLDER (B)	1(OP)	OPTION	BLUE	
G-16	201-119-0	HANDLE HOLDER (C)	1	F-1/2/3	SILVER	
G-16	201-119-OR	HANDLE HOLDER (C)	1(OP)	OPTION	RED	
G-16	201-119-OB	HANDLE HOLDER (C)	1(OP)	OPTION	BLUE	
G-17	201-114-0	DAMPER 24	1	F-1/2/3	FOR 24MM	
G-18	001-809-0	BOLT (6X25)	4	F-1/2/3/1000	M6X25	
G-19	003-223-0	WASHER FOR DBL. HANDLE	1	F-1/2/3	M8	
<b>H-1: F-TYPE SAFETY GUARD</b>						
H-1	201-108-1	F-TYPE SAFETY GUARD 24	1	OPTION	24MM DIA	
H-2	201-109-0	SAFETY GUARD HOLDER 24	1	OPTION		
H-3	001-806-0	BOLT	2	OPTION	M6X20	
I-1	MA2-101-0	METAL F-PROTECTOR	1	F-1/2/3/1000	OPTION RED	
I-1	MA2-101-0B	METAL F-PROTECTOR	1(OP)	OPTION	BLUE	
I-2	MA2-102-0	METAL PROTECTOR CATCHER	1	F-1/2/3/1000	OPTION RED	
I-2	MA2-101-0B	METAL PROTECTOR CATCHER	1(OP)	OPTION	BLUE	
I-3	001-806-0	BOLT (6X20)	2	F-1/2/3/1000	M6X20	
I-4	201-109-0	SAFETY GUARD HOLDER 24	2	F-1/2/3/1000	24MM DIA	
I-5	MA2-103-0	SCREW (5X10)	4	F-1/2/3/1000	PAN +M5X10	
I-6	MA2-104-0	WASHER (M5)	4	F-1/2/3/1000	M5	
I-7	MA2-105-0	SPRING WASHER (M5)	4	F-1/2/3/1000	M5	
I-8	MA2-106-0	HEX. NUT (M5)	4	F-1/2/3/1000	M5	

**J**

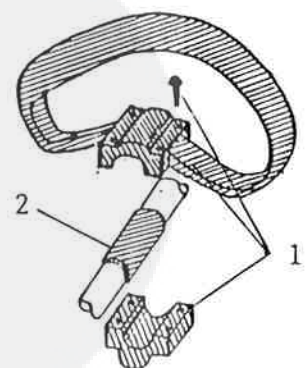
## GEAR CASE

**K**

## HANGER STRAP

**L**

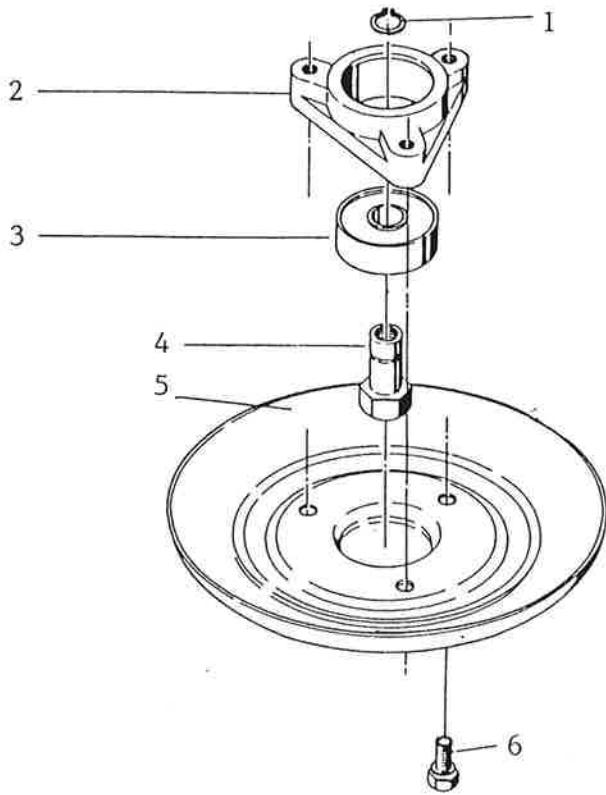
## LOOP HANDLE



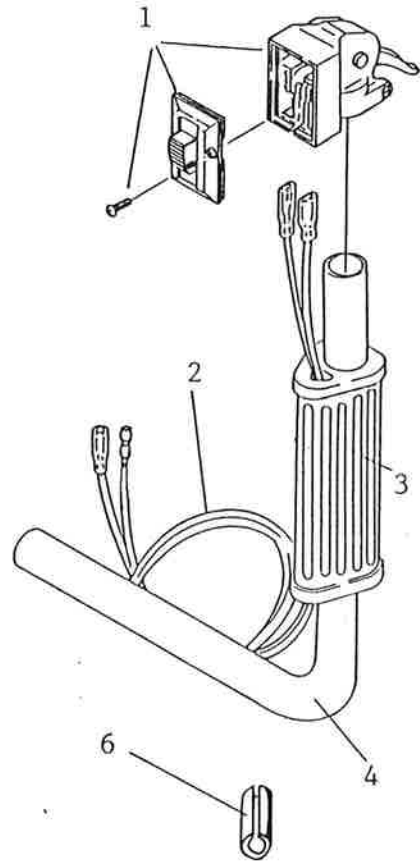
# F-1/2/3/1000 BODY PARTS LIST

REF	CODE	NAME	QTY	MODEL	REMARKS
<b>J : GEAR CASE</b>					
J-1A	201-120-0	GEAR CASE ASS'Y	1	F-1/2/3/1000	INC. I-1-16
J-1A	201-120-OR	GEAR CASE ASS'Y	1(OP)	OPTION	RED
J-1A	201-120-OB	GEAR CASE ASS'Y	1(OP)	OPTION	BLUE
J-1	201-121-0	GEAR CASE	1	F-1/2/3/1000	
J-1	201-121-OR	GEAR CASE	1(OP)	OPTION	RED
J-1	201-121-OB	GEAR CASE	1(OP)	OPTION	BLUE
J-2	001-709-0	BOLT (6X25)	1	F-1/2/3/1000	M6X25
J-3	001-050-0	OIL HOLE BOLT	1	F-1/2/3/1000	M6X8
J-4	003-601-0	OIL HOLE PACKING	1	F-1/2/3/1000	
J-5	201-127-0	SCREW (5X13)	1	F-1/2/3/1000	M5X13 TAP
J-6	008-201-0	STOP RING (C) #C-10	1	F-1/2/3/1000	C-10
J-7	008-316-0	STOP RING (D) #C-26	1	F-1/2/3/1000	C-26
J-8	004-603-0	BEARING (A) #6900ZZ	1	F-1/2/3/1000	#6900ZZ
J-9	004-508-0	BEARING (B) #6900	1	F-1/2/3/1000	#6900
J-10	201-122-0	PINION	1	F-1/2/3/1000	
J-11	004-501-0	BEARING (C) #626	1	F-1/2/3/1000	#626
J-12	230-032-0	GEAR	1	F-1/2/3/1000	
J-13	201-123-0	GEAR SHAFT	1	F-1/2/3/1000	
J-14	004-700-0	BEARING (D) #6000LLU	1	F-1/2/3/1000	#6000LLU
J-15	008-316-0	STOP RING (F) #C-26	1	F-1/2/3/1000	C-26
J-16	201-124-0	GRASS PROTECTOR (A)	1	F-1/2/3/1000	
J-17	201-125-0	HOLDER CUTTER	1	F-1/2/3/1000	
J-18		BLADE	AR		
J-19	201-126-1	CAP CUTTER	1	F-1/2/3/1000	
J-20	222-034-1	CUP WASHER	1	F-1/2/3/1000	
J-21	003-253-0	LOCK WASHER M8	1	F-1/2/3/1000	M8
J-22	003-100-0	SAW NUT M8 LEFT	1	F-1/2/3/1000	M8 LEFT
J-23	TA1-200-0	CUP WASHER (75MM)	1	OPTION	75MM
J-23	MA1-200-0	CUP WASHER (120MM)	1	OPTION	120MM
<b>K-L: HANGER STRAP &amp; LOOP HANDLE</b>					
K-1	230-009-0	HANGER STRAP	1	F-1/2/3/1000	
K-2	KYD-002-0	HOOK-HARNESS	1	OPTION	
K-3	KYD-001-0	PRO-HARNESS	1	OPTION	
L	TAI-200-Q	LOOP HANDLE ASS'Y 24	1	OPTION	FOR 24MM
L-1	TAI-101-Q	LOOP HANDLE 26	1	OPTION	26MM DIA
L-2	TAI-103-Q	DAMPER 24	1	OPTION	FOR 24MM

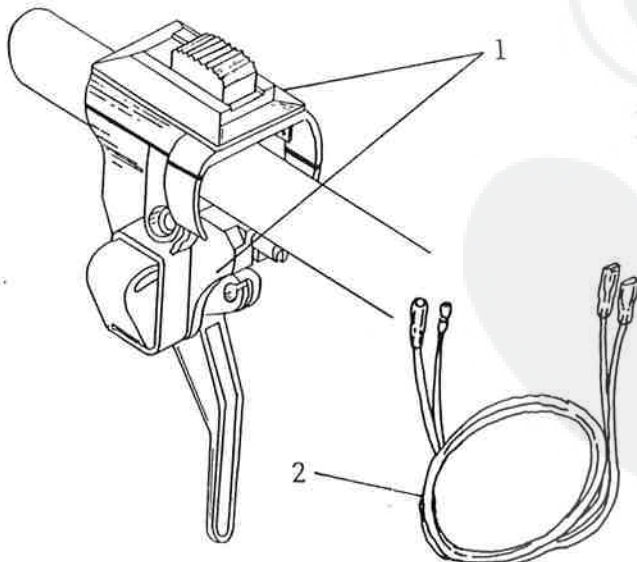
**M** STABILIZER



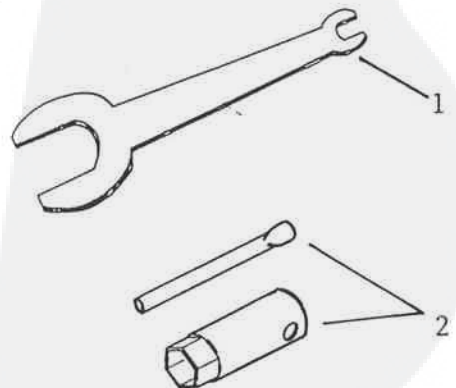
**O** TRIGGER LEVER, HANDLE



**N** TRIGGER LEVER, SHAFT



**P** TOOL



# F-1/2/3/1000 BODY PARTS LIST

REF	CODE	NAME	QTY	MODEL	REMARKS
<b>M : STABILIZER</b>					
M	201-291-0	STABILIZER ASS'Y	1	OPTION	INC. L-1-6
M-1	008-208-0	STOP RING #C-17	1	OPTION	C-17
M-2	203-118-0	STABILIZER CATCH	1	OPTION	
M-3	004-606-0	BEARING #6003ZZ	1	OPTION	#6003ZZ
M-4	201-292-0	STABILIZER SPECIAL NUT	1	OPTION	FOR M8-L
M-5	203-117-0	STABILIZER	1	OPTION	
M-6	001-752-0	BOLT (6X20)	3	OPTION	M6X20
<b>N : TRIGGER LEVER, SHAFT</b>					
N	E356-200-F2	TRIGGER LEVER ASS'Y	1	OPTION	24MM SHAFT 168-427.3
N-1	E356-200-24	TRIGGER LEVER	1	OPTION	24MM SHAFT 168-427.3
N-2	E356-200-CD	CORD ASS'Y	1	OPTION	
<b>O : TRIGGER LEVER, HANDLE</b>					
O	010-263-0	TRIGGER LEVER ASS'Y	1	OPTION	16-HANDLE
O-1	010-260-0	TRIGGER LEVER	1	OPTION	16-HANDLE
O-2	088-205-0	CORD ASS'Y	1	OPTION	
O-3	201-116-1	GRIP (R)	1	OPTION	
O-4	203-109-1	HANDLE (R)	1	OPTION	
O-5	008-037-0	BAND	1	OPTION	
O-6	E355-005-TH	OUTER GUIDE	1	OPTION	FOR HANDLE
<b>P : TOOL</b>					
P-1	013-014-0	SPANNER 38 X 10	1	F-1/2/3/1000	
P-2	013-030-0	BOX SPANNER 13	1	F-1/2/3/1000	
<b>OPTIONAL EXTRAS</b>					
<div style="display: flex; flex-direction: column; align-items: center;"> <div style="margin-bottom: 10px;"> <span style="font-size: 2em;">}</span> 在库                 </div> <div style="margin-bottom: 10px;"> <span style="font-size: 2em;">}</span> 零件                 </div> <div style="margin-bottom: 10px;"> <span style="font-size: 2em;">}</span> 零件                 </div> <div style="margin-bottom: 10px;"> <span style="font-size: 2em;">}</span> 零件                 </div> <div style="margin-bottom: 10px;"> <span style="font-size: 2em;">}</span> 零件                 </div> <div style="margin-bottom: 10px;"> <span style="font-size: 2em;">}</span> 零件                 </div> <div style="margin-bottom: 10px;"> <span style="font-size: 2em;">}</span> 零件                 </div> <div style="margin-bottom: 10px;"> <span style="font-size: 2em;">}</span> 零件                 </div> <div style="margin-bottom: 10px;"> <span style="font-size: 2em;">}</span> 零件                 </div> <div style="margin-bottom: 10px;"> <span style="font-size: 2em;">}</span> 零件                 </div> <div style="margin-bottom: 10px;"> <span style="font-size: 2em;">}</span> 零件                 </div> <div style="margin-bottom: 10px;"> <span style="font-size: 2em;">}</span> 零件                 </div> <div style="margin-bottom: 10px;"> <span style="font-size: 2em;">}</span> 零件                 </div> <div style="margin-bottom: 10px;"> <span style="font-size: 2em;">}</span> 零件                 </div> <div style="margin-bottom: 10px;"> <span style="font-size: 2em;">}</span> 零件                 </div> <div style="margin-bottom: 10px;"> <span style="font-size: 2em;">}</span> 零件                 </div> </div>	THW-120-J0	1,200MM THROTTLE WIRE	1	OUTER 1,200	INNER +58
	THW-100-J0	1,000MM THROTTLE WIRE	1	OUTER 1,000	INNER +58
	THW-800-J0	800MM THROTTLE WIRE	1	OUTER 800	INNER +58
	THW-700-J0	700MM THROTTLE WIRE	1	OUTER 700	INNER +58
	THW-450-J0	450MM THROTTLE WIRE	1	OUTER 450	INNER +58
	THW-350-J0	350MM THROTTLE WIRE	1	OUTER 350	INNER +58
	THW-250-J0	250MM THROTTLE WIRE	1	OUTER 250	INNER +58
	C0W-019-0	DOUBLE HORN HANDLE	1	OPTION 19MM	19MM DIA.
	C0W-019-1	HANDLE HOLDER ASS'Y	1	OPTION 19MM	19MM DIA.
	TA1-200-0	CUP WASHER (75MM)	1	OPTION	75MM
	MA1-200-0	CUP WASHER (120MM)	1	OPTION	120MM
	MA1-300-0	CUP WASHER (150MM)	1	OPTION	150MM
	KYD-003-0	FLEX. CABLE COVER 600MM	1	OPTION	600MM
	KYD-004-0	FLEX. CABLE COVER 450MM	1	OPTION	450MM
	KYD-005-0	FLEX. CABLE COVER 350MM	1	OPTION	350MM

备注

海外零件  
国内零件  
零件号

零件不票