

PARTS CATALOG

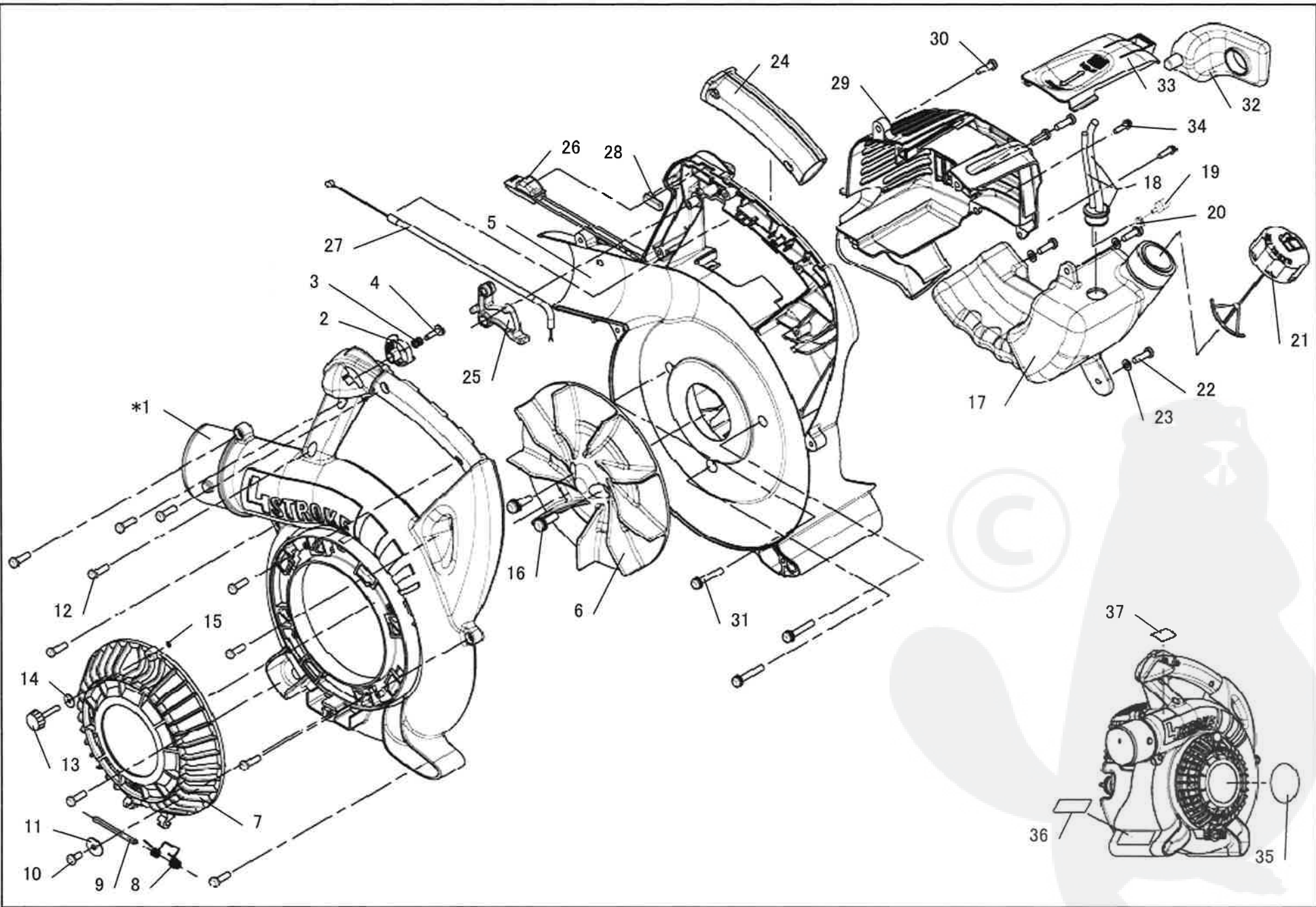
Model BL25min4

1. MACHINE BODY	2
2. CRANKCASE	4
3. CRANKSHAFT	6
4. CAMSHAFT	8
5. RECOIL STARTER	10
6. CARBURETOR	12
7. AIR CLEANER	14
8. MUFFLER	16
9. FLYWHEEL	18
10. STANDARD ACCESSORIES	20
11. OPTION	22

A: Consumption items such as rubber and gasket parts.
Each parts Q'ty = Approx. 2 or 3% against for total machine quantity.

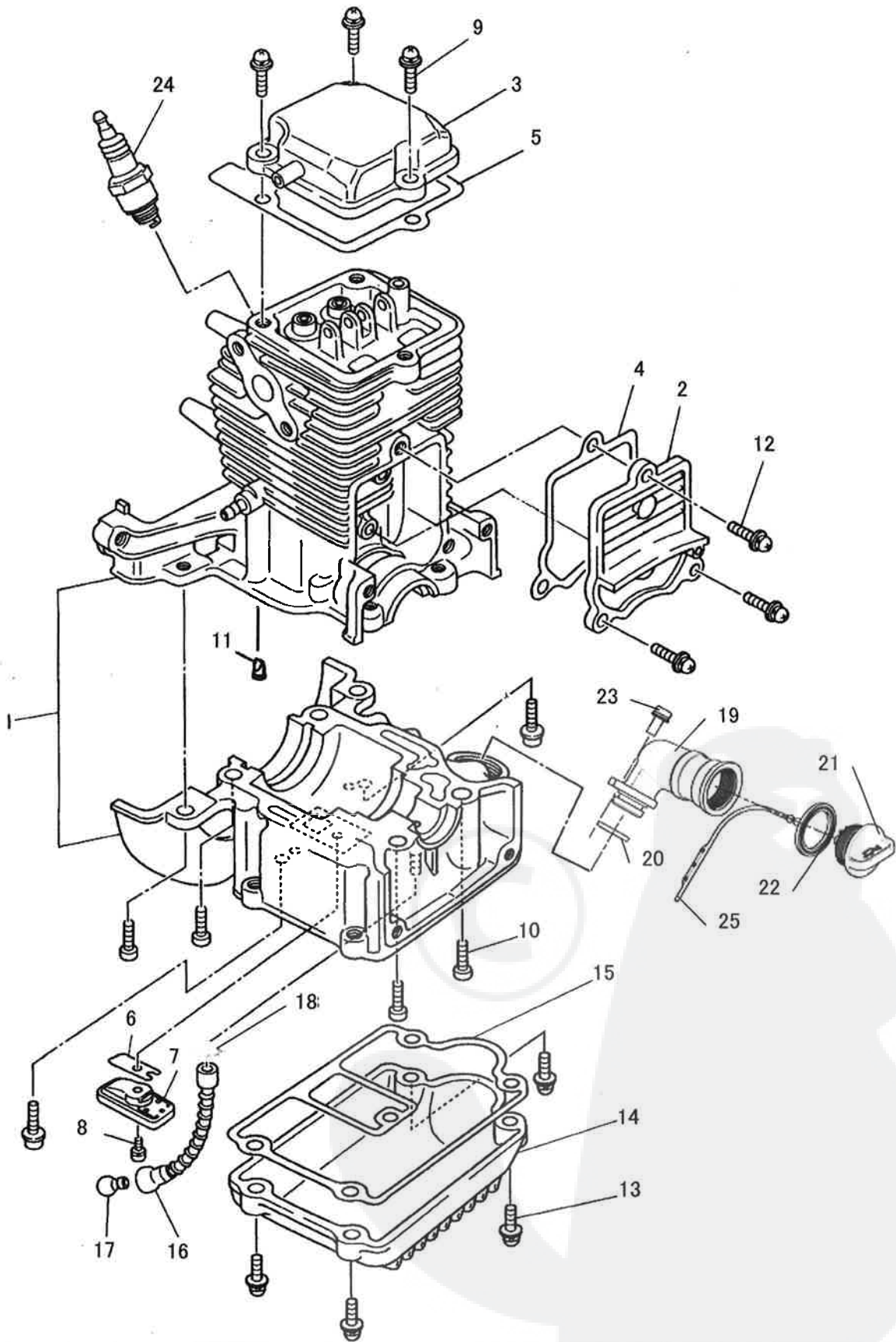
B: Possibility to cause wear, break and any loss.
Each parts Q'ty = Approx. 0.5 or 1% against for total machine quantity.

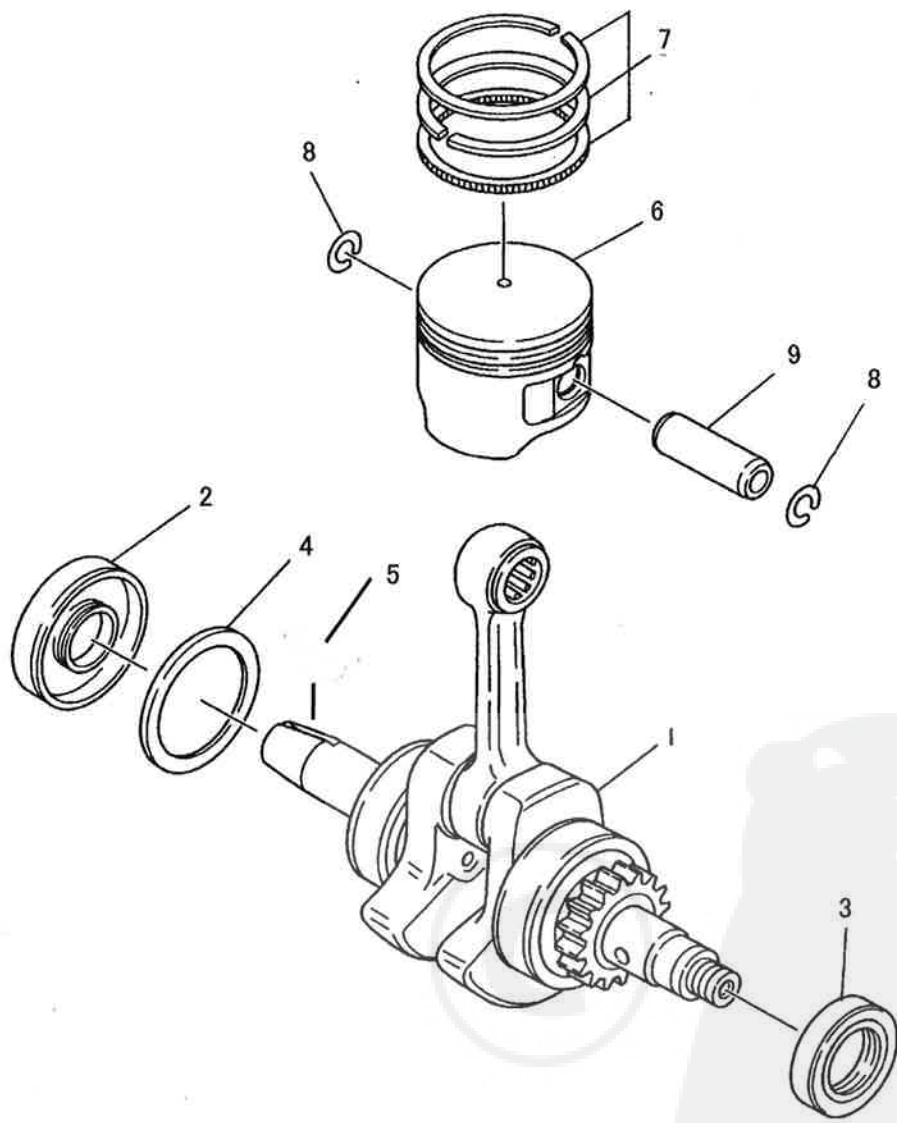
C: Not necessary to replace in ordinary use.
Each parts Q'ty = Approx. 0.1 or 0.2% against for total machine quantity.

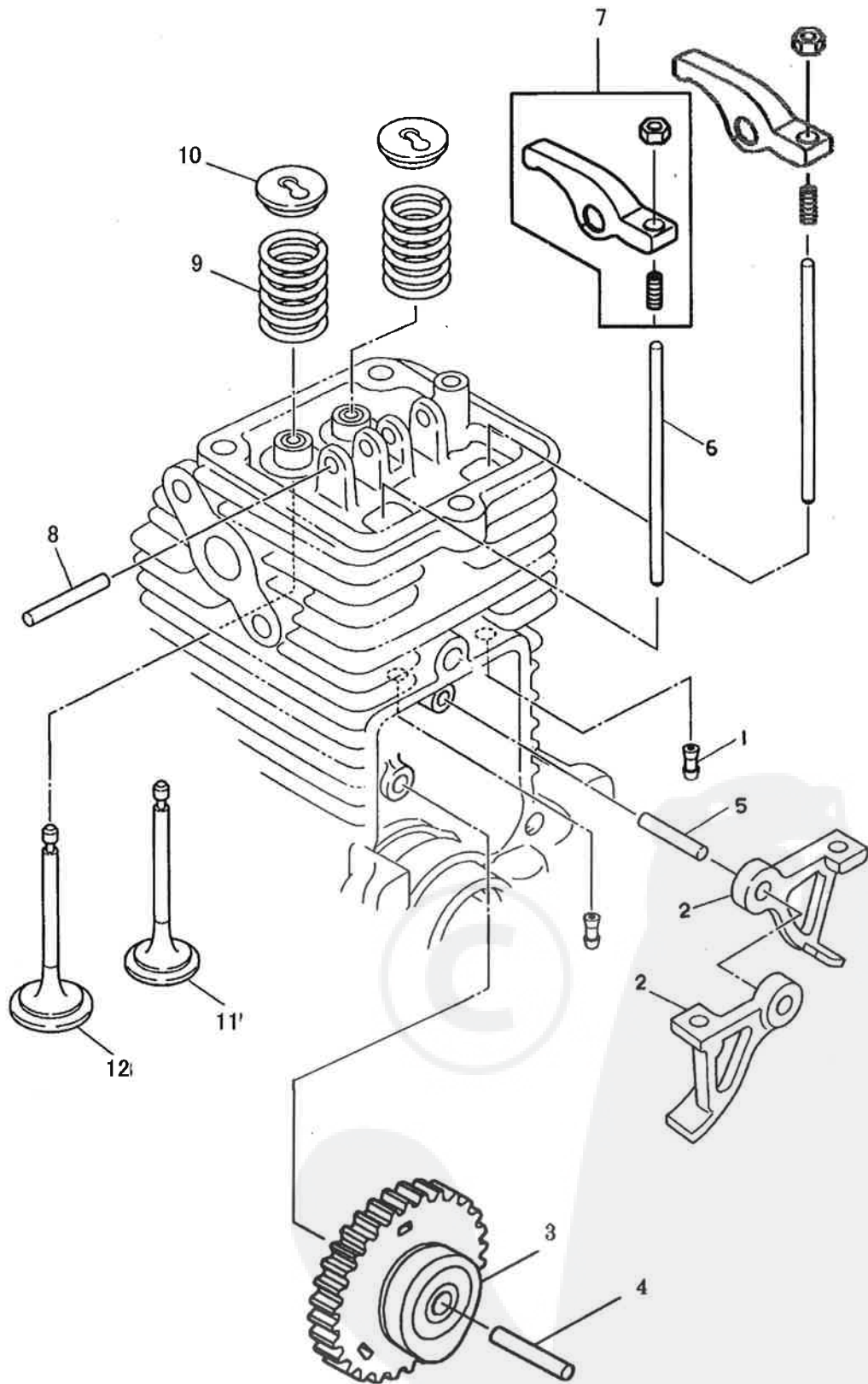


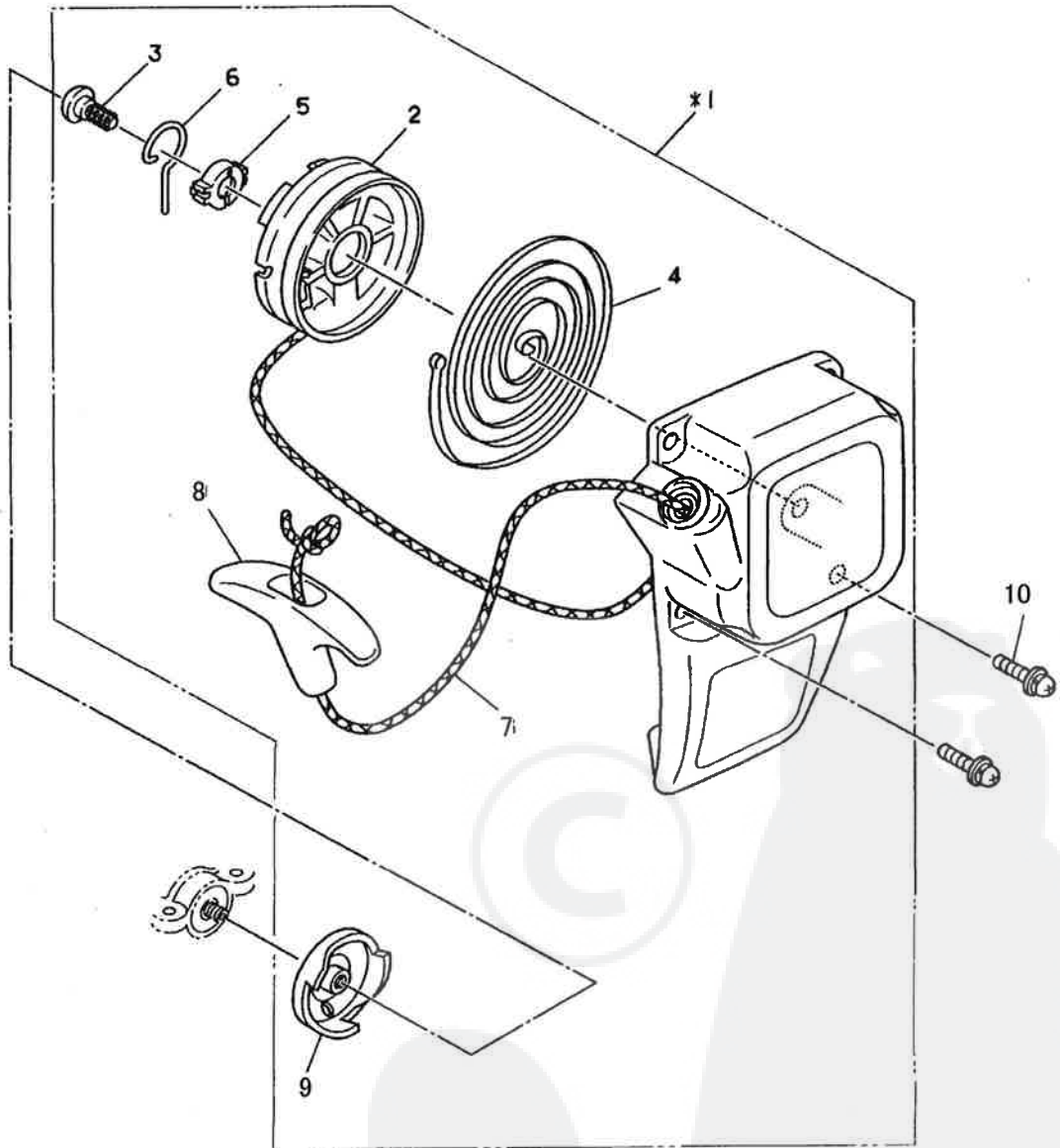
1. MACHINE BODY

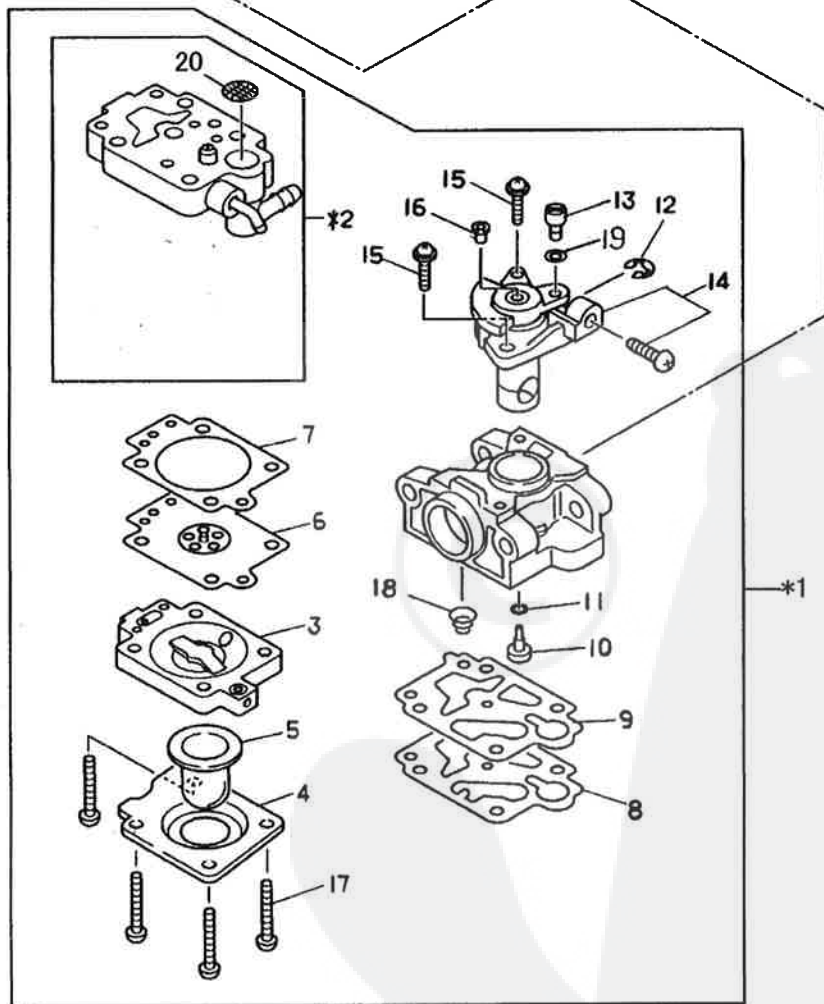
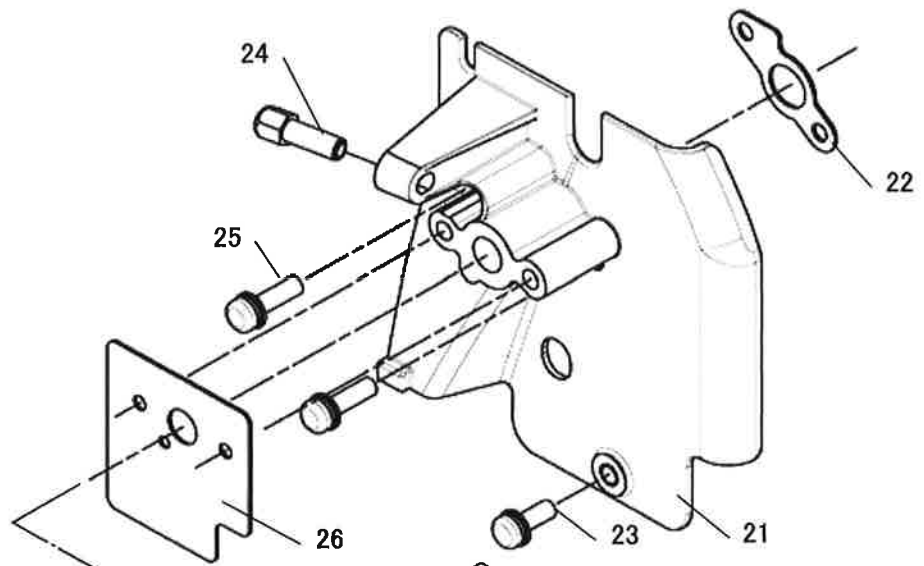
REF NO	PART NUMBER	PART NAME	STD PRICE	BL25min4	REMARKS
	6651010000	CASE 1, VOLUTE ASSY		1	INCL. 2-4
2	6655500100	LEVER, CRUISE		1	
3	6655500200	SPRING		1	
4	0150049840	TAPPING SCREW		1	4*16
5	6651014000	CASE 2, VOLUTE COMPL		1	
6	6651003000	IMPELLER COMPL		1	
7	6601502702	PROTECTOR		1	
8	6601503001	SPRING		1	
9	6601503100	SHAFT		1	
10	0150059750	TAPPING SCREW		0	5*10
	0150059760	TAPPING SCREW		1	5*16
11	0031205003	WASHER		1	
12	0150059760	TAPPING SCREW		10	5*16
13	0150049830	TAPPING SCREW		0	4*13
	6601503201	SCREW		1	
14	6601503500	WASHER		1	
15	6601503400	SNAPRING, OUTER		1	
16	0043606200	SCREW ASSEMBLY		2	M6*20 W, SW
17	6653500000	TANK, FUEL		1	
18	0851189950	TUBE		1	
19	5236503900	FILTER		1	
20	0561059990	HOSE CLAMP		1	
21	5926017000	CAP, FUEL TANK ASSY		1	
22	0150059760	TAPPING SCREW		3	5*16
23	0031005003	WASHER		3	
24	6655500000	GRIP		1	
25	6655500300	LEVER, THROTTLE		1	
26	6655001000	SWITCH COMPL		1	
27	0630029730	CONTROL CABLE		1	
28	6651500500	RUBBER, FRICTION		1	
29	6656500000	COVER, ENGINE		1	
30	0150059760	TAPPING SCREW		3	5*16
31	0043605300	SCREW ASSY		3	M5*30 W, SW
32	5926501600	GUARD, OIL		1	
33	6656500100	COVER, PLUG		1	
34	0140049770	SCREW ASSY		2	M4*16 W, SW
35	6659503700	LABEL, PROTECTOR		1	
36	6609508600	LABEL, CAUTION		1	
37	6609513200	LABEL, CAUTION		1	





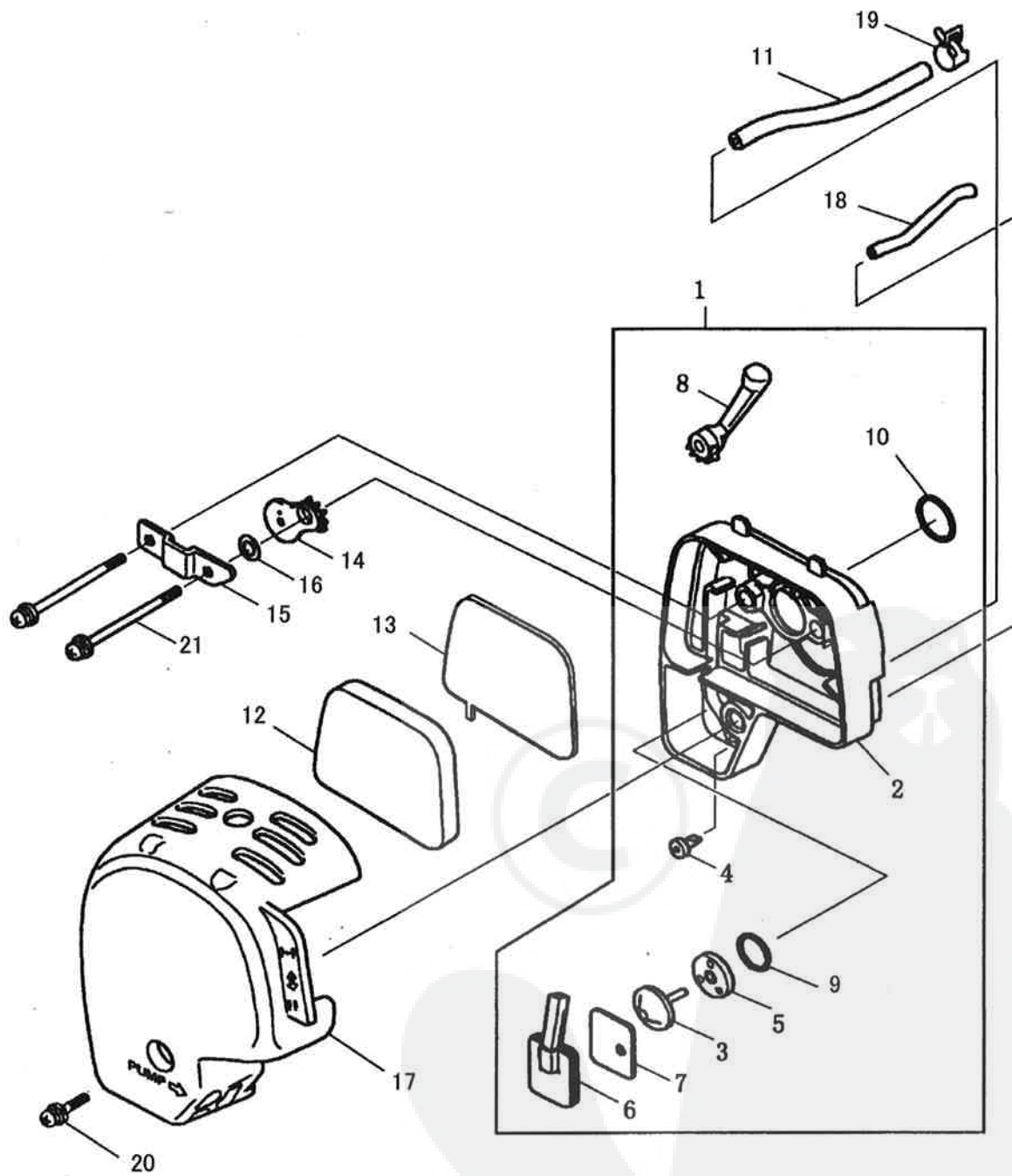


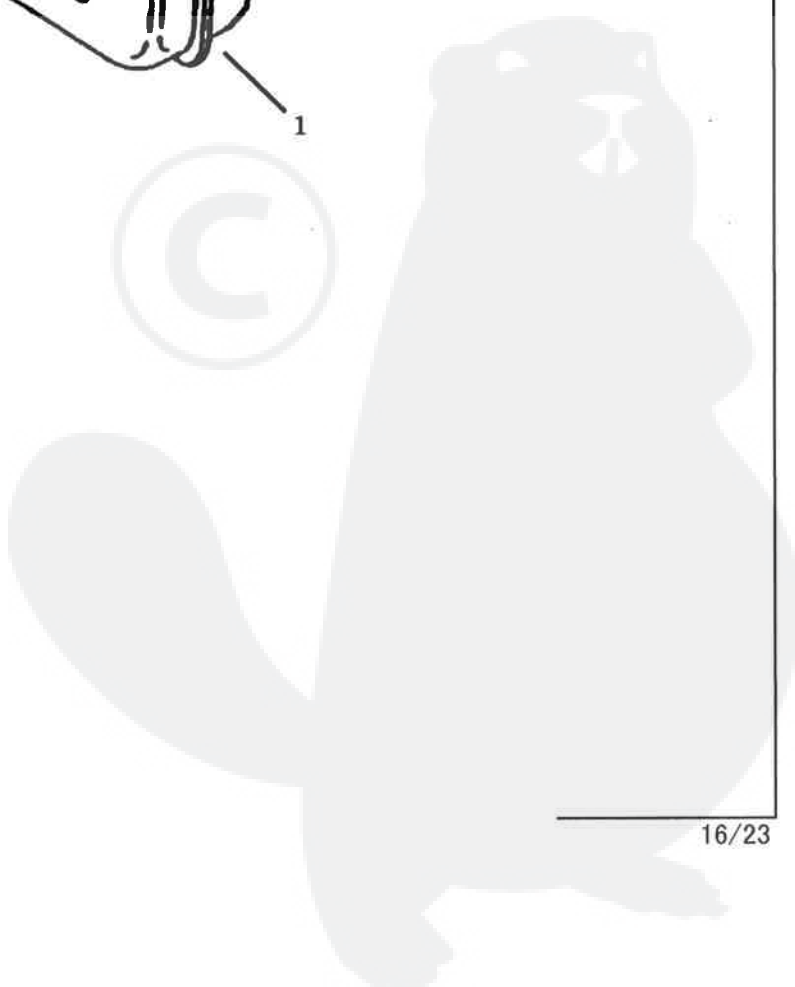
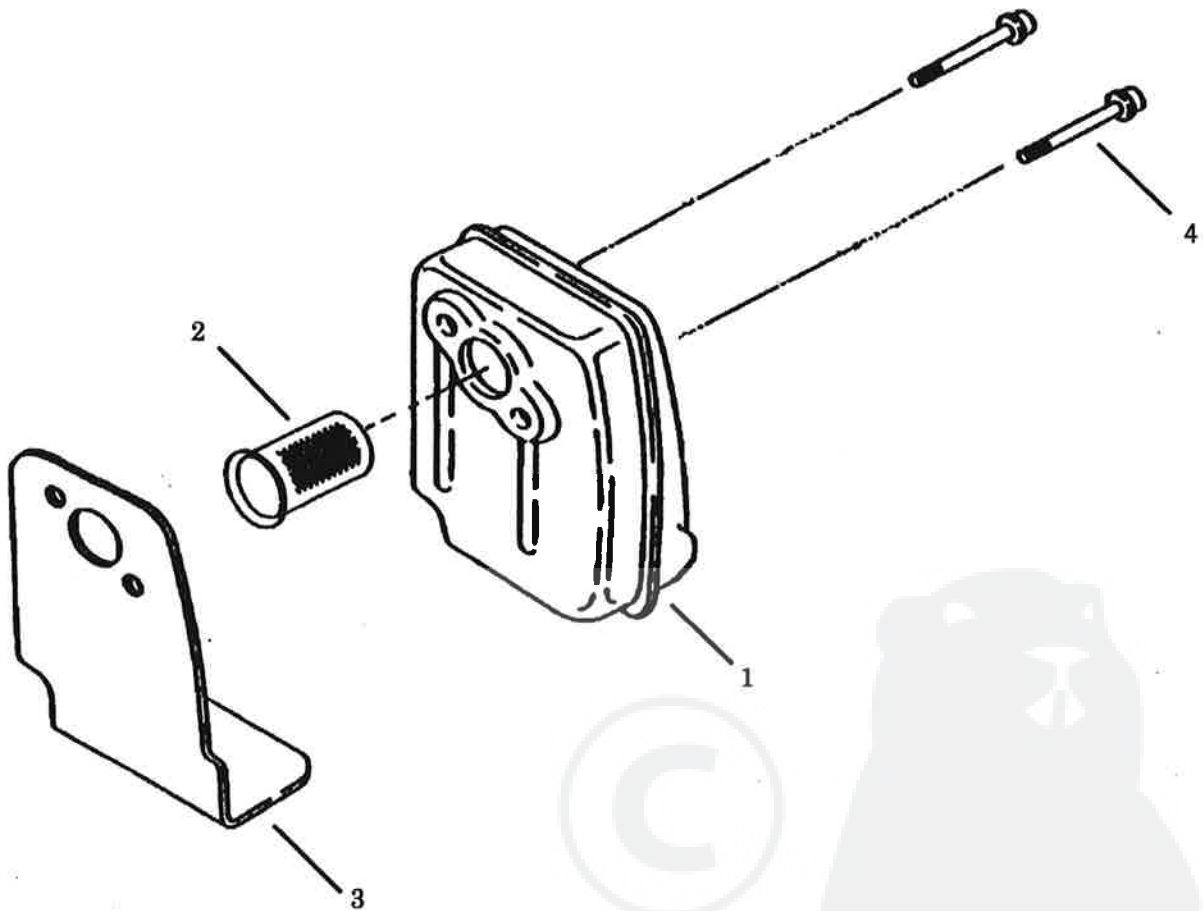


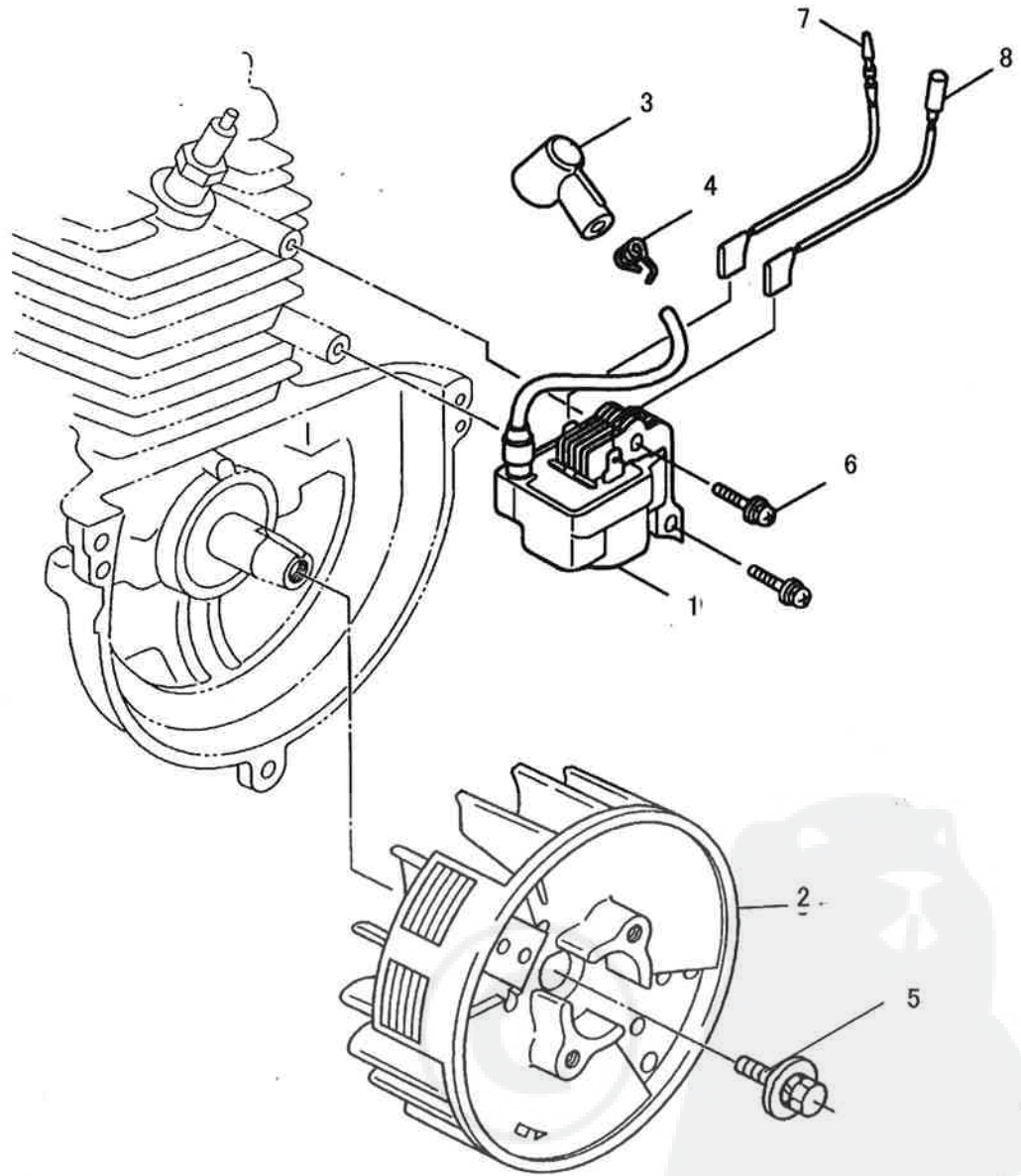


6. CARBURETOR

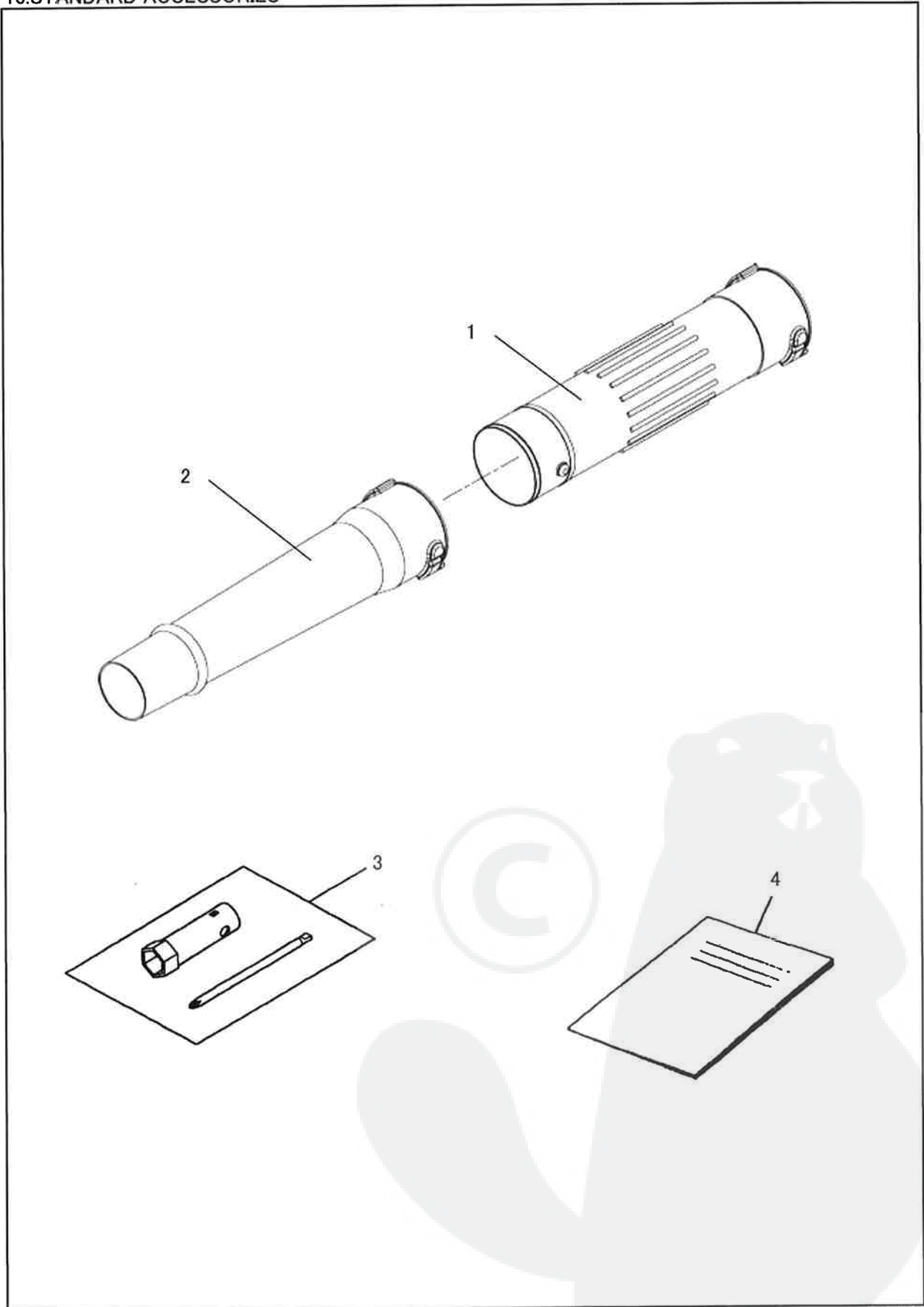
REF NO	PART NUMBER	PART NAME	STD PRICE	QTY.	REMARKS
				BL25min4	
*1	5926022000	CARBURETOR		1	
*2	5926002060	BODY ASSEMBLY-PUMP		1	
3	5236046140	BODY ASSEMBLY-AIR PURGE		1	
4	5236046050	COVER-PRIMER PUMP		1	
5	5246001150	PUMP-PRIMER		1	
6	5926008010	DIAPHRAGM ASSY-METERING		1	
7	5236046040	GASKET-METERING DIAPHRAGM		1	
8	5246001040	DIAPHRAGM-PUMP		1	
9	5926002040	GASKET-PUMP		1	
10	5196002020	JET		1	
11	5246001010	RING-"O"		1	
12	5316005120	RING-SPRING RETAINING		1	
13	5236018040	SWIVEL		1	
14	5926002010	VALVE ASSEMBLY-THROTTLE		1	
15	5206008030	SCREW-THROTTLE COLLER		2	
16	5206008110	PLUG		1	
17	5236046010	SCREW-PUMP COVER		4	
18	5926002020	SPRING-PUMP		1	
19	5426005030	WASHER		1	
20	5016004010	SCREEN-INLET		1	
21	5923013000	INSULATOR COMPL		1	
22	5923501801	GASKET, INSULATOR		1	
23	0043605140	SCREW ASSEMBLY		1	M5*14 W, SW
24	0149069972	ADJUST SCREW		1	
25	0043605180	SCREW ASSEMBLY		2	M5*18 W, SW
26	5923501900	GASKET, CARBURETOR		1	







10.STANDARD ACCESSORIES



11.OPTION

