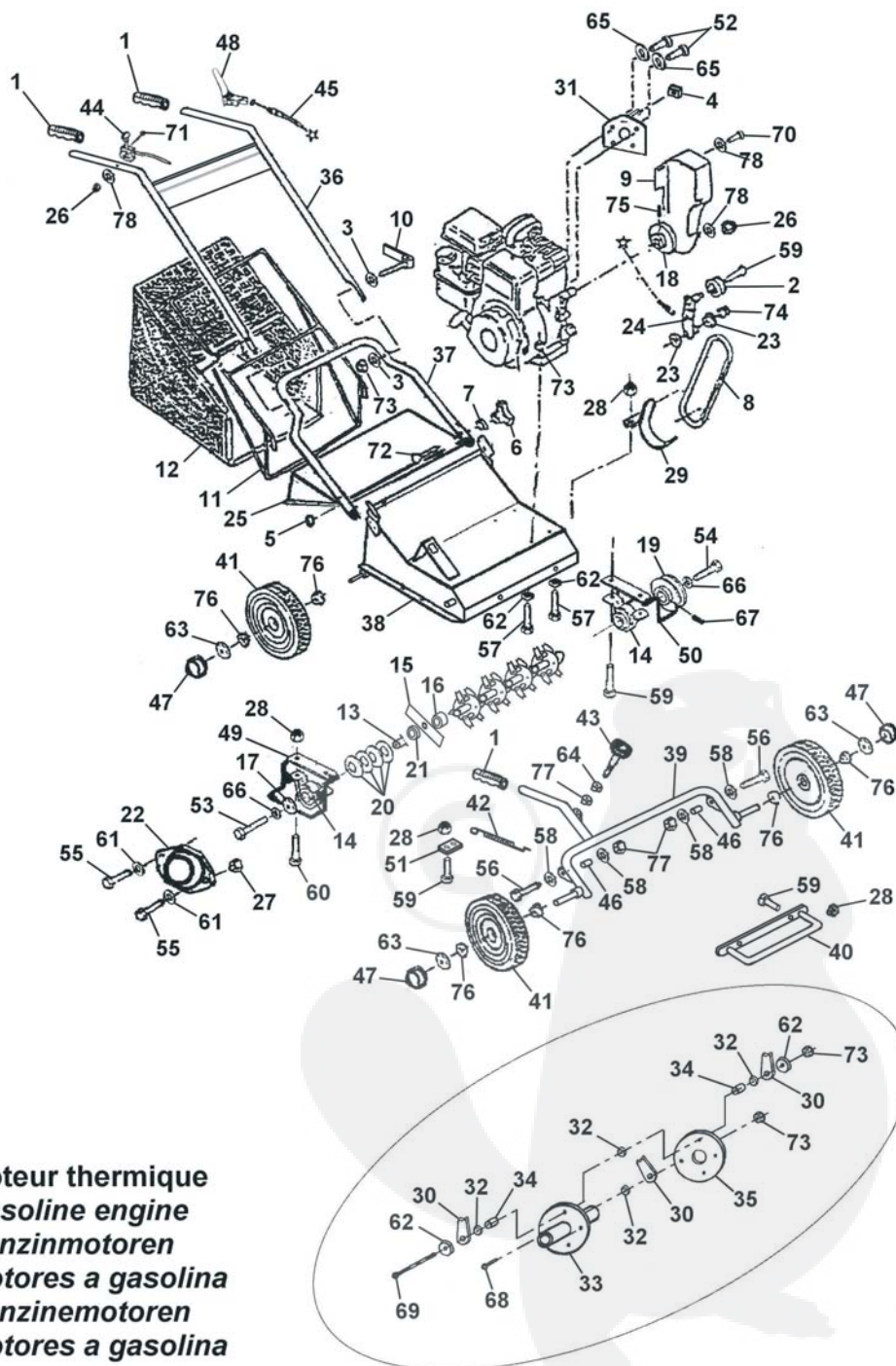


S460K+



Moteur thermique
Gasoline engine
Benzinmotoren
Motores a gasolina
Benzinmotoren
Motores a gasolina

Fig	Références	Désignation	Part Name	Bezeichnung	Descrizione	Descripcion	Designação	Omschrijving	S 460 B+	S 460 H+
1	16706	Poignée	Lever	Hebel	Leva	Empanadura	Alavanca	Koppelingsgreep	3	
2	30554	Galet	Roller	Laverde	Ruotina	Polea tensora	Rolo de came	Rol	1	
3	CP032924	Rondelle	Washer	Scheibe	Rondella	Arandela	Anilha	Ring	4	
4	39092	Clips	Clips	Clips	Clips	Clips	Clips	Clips	1	
5	45004	Rondelle	Washer	Scheibe	Rondella	Arandela	Anilha	Ring	2	
6	46032	Bonton	Nut	Schraube	Dado	Tuerca	Botao de aperto	Knop	2	
7	46301	Rondelle	Washer	Scheibe	Rondella	Arandela	Anilha	Ring	2	
8	71116	Courroie	Belt	Riemen	Cinghia	Carrea	Correia	Riem	1	
9	71373	Capot	Cover	Haube	Coperchio	Capo	Cobertura	Kap	1	
10	CP047222	Levier	Lever	Hebel	Leva	Palanca	Alavanca	Koppelingsgreep	2	
11	71513	Armature	Sac frame	Armatur	Telaio cesto	Armadura	Armadura	Zakarmatur	1	
12	71514	Sac	Bag	Sack	Tela cesto	Bolsa de recogida	Saco	Vermelzak	1	
13	71518	Arbre	Achse	Achse	Astina	Arbal	Eixo	Las	1	
14	71523	Palier	Bearing	Kugellager	Cuscinetto	Rodamiento	Rodamento	Kopelager	2	
15	71519	Couteau	Blade	Messer	Zappetta	Cuchila	Lamina	Mes	6	
16	71522	Entretoise	Spacer	Distanzstück	Distanziale	Separadore	Separador	afstandsstuk	4	
17	71524	Rondelle	Washer	Scheibe	Rondella	Arandela	Anilha	Ring	1	
18	71525	Poulie	Pulley	Treibscheibe	Puleggia	Polea	Polia	Reim	1	
19	71526	Poulie	Pulley	Treibscheibe	Puleggia	Polea	Polia	Reim	1	
20	71531	Rondelle	Washer	Scheibe	Rondella	Arandela	Anilha	Ring	4	
21	71592	Entretoise	Spacer	Distanzstück	Distanziale	Separadore	Separador	afstandsstuk	4	
22	72483	Cache palier	Cover	Haube	Coperchio	Capo	Cobertura	Kap	1	
23	71780	Canon	Spacer	Distanzstück	Distanziale	Separadore	Separador	afstandsstuk	1	
24	72782	Bras de galet	Arm	Vorrichtung	Supporto	Soporte	Braço de rolo	Rolam	1	
25	73260	Volet	Deflector	Ablenkblech	Parasassi	Deflector	Deflector	Deflector	1	
26	73271	Ecrou	Nut	Mutter	Dado	Tuerca	Porca	Moer	2	
27	73275	Ecrou	Nut	Mutter	Dado	Tuerca	Porca	Moer	2	
28	73276	Ecrou	Nut	Mutter	Dado	Tuerca	Porca	Moer	7	
29	73647	Guide courroie	Vee belt guide	Riemenführung	Guidà cinghia	Guida de correa	Guida de correia	Drijfriemgeleider	1	
30	73852	Couteau	Blade	Messer	Zappetta	Cuchila	Lamina	Mes	24	
31	73858	Platine	Support	Trager	Supporto	Soporte	Braco	Hevel	1	
32	73859	Rondelle	Washer	Scheibe	Rondella	Arandela	Anilha	Ring	24	
33	73860	Moyeu	Support	Trager	Supporto	Soporte	Braco	Hevel	4	
34	73862	Entretoise	Spacer	Distanzstück	Distanziale	Separadore	Separador	afstandsstuk	16	
35	73958	Plaque	Support	Trager	Supporto	Soporte	Braco	Hevel	4	
36	75430	Guidon	Handelbar	Lenker	Manico	Manillar	Guiador	Stuurstang	1	
37	75431	Guidon	Handelbar	Lenker	Manico	Manillar	Guiador	Stuurstang	1	
38	75432	Chassis	Chassis	Chassis	Telaio	Chassis	Chassis	Chassis	1	
39	75433	Essieu	Axle	Achse	Astina	Arbal	Eixo	Las	1	
40	75434	Pare chocs	Support	Trager	Supporto	Soporte	Braco	Hevel	1	
41	75435	Roue	Wheel	Rad	Ruota	Rueda	Roda	Wiel	4	
42	75436	Ressort	Spring	Feder	Molla	Muelle	Mola	Veer	1	
43	75437	Bouton	Screw	Schraube	Vite	Tornillo	Parafuso	Schroef	1	
44	75438	Timonerie d'accélération	Throttle control	Gashebelgestange	Commando	Variillarje	Commando	Koppelingsstang	1	
45	75439	Timonerie d'embrayage	Clutch control	Gestange	Commando	Variillarje	Commando	Koppelingsstang	1	
46	75440	Entretoise	Spacer	Distanzstück	Distanziale	Separadore	Separador	afstandsstuk	2	
47	75441	Enjolvieur	Clip	Clip	Seeger	Cirip	Calotte	Wieldap	4	
48	75464	Lever	Lever	Hebel	Leva	Palanca	Alavanca	Koppelingsgreep	1	
49	75467	Protège pied D.	Support	Trager	Supporto	Soporte	Braco	Hevel	1	
50	75468	Protège pied G.	Support	Trager	Supporto	Soporte	Braco	Hevel	1	
51	75469	Patte	Support	Trager	Supporto	Soporte	Braco	Hevel	1	
52	Z03-792416	Vis	Screw	Schraube	Vite	Tornillo	Parafuso	Schroef	4	
53	003-10-30	Vis	Screw	Schraube	Vite	Tornillo	Parafuso	Schroef	1	
54	003-10-40	Vis	Screw	Schraube	Vite	Tornillo	Parafuso	Schroef	1	
55	Z03-5-16	Vis	Screw	Schraube	Vite	Tornillo	Parafuso	Schroef	2	
56	Z03-12-55	Vis	Screw	Schraube	Vite	Tornillo	Parafuso	Schroef	2	
57	Z03-8-35	Vis	Screw	Schraube	Vite	Tornillo	Parafuso	Schroef	4	
58	Z08-112N	Rondelle	Washer	Scheibe	Rondella	Arandela	Anilha	Ring	4	
59	Z03-10-20	Vis	Screw	Schraube	Vite	Tornillo	Parafuso	Schroef	6	
60	Z03-10-25	Vis	Screw	Schraube	Vite	Tornillo	Parafuso	Schroef	1	
61	Z08-15N	Rondelle	Washer	Scheibe	Rondella	Arandela	Anilha	Ring	2	
62	Z08-18N	Rondelle	Washer	Scheibe	Rondella	Arandela	Anilha	Ring	50	
63	Z08-M15N	Rondelle	Washer	Scheibe	Rondella	Arandela	Anilha	Ring	4	
64	Z11-12	Ecrou	Nut	Mutter	Dado	Tuerca	Porca	Moer	1	
65	Z12-8AZ	Rondelle	Washer	Scheibe	Rondella	Arandela	Anilha	Ring	4	
66	012-10AZ	Rondelle	Washer	Scheibe	Rondella	Arandela	Anilha	Ring	2	
67	024-6-10	Vis	Screw	Schraube	Vite	Tornillo	Parafuso	Schroef	1	
68	Z26-8-20	Vis	Screw	Schraube	Vite	Tornillo	Parafuso	Schroef	8	
69	Z26-8-70	Vis	Screw	Schraube	Vite	Tornillo	Parafuso	Schroef	8	
70	Z29-63-25	Vis	Screw	Schraube	Vite	Tornillo	Parafuso	Schroef	1	
71	Z42-6-50	Vis	Screw	Schraube	Vite	Tornillo	Parafuso	Schroef	1	
72	Z42-8-45CC	Vis	Screw	Schraube	Vite	Tornillo	Parafuso	Schroef	2	
73	Z53-8	Ecrou	Nut	Mutter	Dado	Tuerca	Porca	Moer	43	
74	Z53-10	Ecrou	Nut	Mutter	Dado	Tuerca	Porca	Moer	1	
75	052-8-8	Vis	Screw	Schraube	Vite	Tornillo	Parafuso	Schroef	1	
76	030-6002-2	Roulement	Bearing	Kugellager	Cuscinetto	Rodamiento	Rodamento	Kopelager	8	
77	Z53-12	Ecrou	Nut	Mutter	Dado	Tuerca	Porca	Moer	3	
78	Z08-16N	Rondelle	Washer	Scheibe	Rondella	Arandela	Anilha	Ring	3	