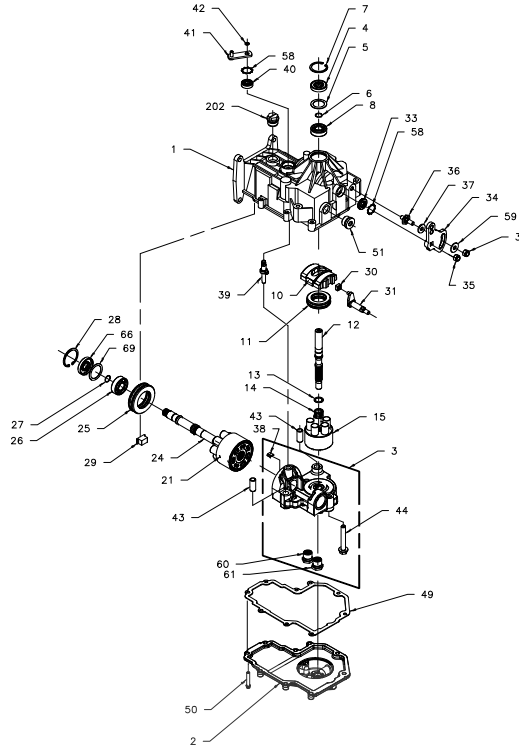


Parts Breakdown

BDR-320

NOTICE / Proprietary Information: This service schematic and its contents are wholly owned by Hydro-Gear of Sullivan, IL, and may not be published or reproduced without the written consent of Hydro-Gear.



Parts Breakdown

#	PART #	DESCRIPTION	QTY	Note
1	70834	UPPER HOUSING ASSEMBLY	1	
		UPPER HOUSING	1	
		TRUNNION BUSHING	1	
		CRADLE BEARING	2	
2	50301RM	LOWER HOUSING	1	
3	71917	KIT, CENTER SECTION	1	
		BRG, JRNL	1	
		HFHCS 3/8-24 X 2,5	3	
		BUSHING , 673X1,02X ,7	1	
		ASSY, CHK PLUG .027	1	
		ASSY, CHK PLUG ,044	1	
		PLATE, BYPASS	1	
		C-SECTION	1	
4	9008000-0128	SEAL 15 X 35 X 7 LIP PTC	1	
5	2003018	WASHER .98 X 1.37 X .04	1	
6	2003016	RING RET 59 EXT WIRE	1	
7	2003052	RING RET 137 INT	1	
8	2003043	BEARING 15X35X11 BALL OPEN 6202	1	
10	2003087	SWASHPLATE 10CC	1	
11	50551	BEARING 30X52X13 BALL THRUST	1	
12	2003021	SHAFT PUMP	1	
13	2003017	WASHER .59 X .79 X .04	1	
14	2003014	SPRING, BLOCK	1	
15	70331	KIT, BLOCK, 10CC CYLINDER	1	
		WASHER, PSTN SEAT		
		PISTON		
		BLOCK, CYL		
		SPRING, COMP		
21	72159	KIT, BLOCK 21CC CYLINDER, PW SERIES	1	
		BLOCK, CYL		
		WASHER, PSTN SEAT		
		PISTON		
		SPRING, HELICAL COMP		
24	50304	SHAFT, MOTOR	1	
25	50552	BEARING 42X68X16 BALL THRUST	1	
26	50315	BEARING 17X40X12 BALL OPEN 6203	1	
27	2000022	RING RET 67 EXT WIRE	1	
28	50329	RING RET 156 INT	1	
29	50649	RETAINER MOTOR BEARING	1	
30	2000015	SLOT GUIDE	1	
31	50807	ARM TRUNNION 10CC SQ TAPER	1	
33	51041	SEAL 12 X 25 X 5.0 LIP TC	1	
34	50733	ARM, CNTRL PM SQR TRUN	1	
35	50317	NUT HEX 5/16-24 NYLON INSERT	2	
36	50426	STUD 5/16-24X1.5 SHORT	1	
37	50281	PUCK FRICTION	1	

Parts Breakdown

#	PART #	DESCRIPTION	QTY	Note
38	70680	KIT, BYPASS PLATE	1	
39	2003555	ACTUATOR BYPASS	1	
40	45074	SEAL 10 X 25 X 7 LIP	1	
41	50270	ARM, BYPASS	1	
42	44870	RING RET 31 EXT	1	
43	50002	PIN .39 X .50 X 1.12 HOLLOW	2	
44	50016	SCREW 3/8-24 X 2.5 HF W/PATCH	3	
46	2000029	SPRING COMP .22 X .29	1	
47	9001214-2500	BALL 1/4 STEEL	1	
49	50331	GASKET BDR	1	
50	44876	SCREW 1/4-20 X 1.37 THC	9	
51	9005110-8700	PLUG 7/8-14 STR THREAD SOCKET HEAD	1	
56	50651	PLATE, RELIEF	1	
57	50653	BOLT 10-32 X 1/2 SELF TAPPING	1	
58	50650	RING RET 98 INT PUSH	2	
59	44130	WASHER .34 X .88 X .06	1	
66	51161	SEAL 17 X 40 X 7 LIP	1	
69	50951	WASHER 1.23 X 1.57 X .04	1	
71		20W50 OIL	34.6 OZ	
73	70490	KIT, SEAL	1	
(4)		LIP SEAL 15 X 35 X 7	1	
(33)		LIP SEAL 12 X 25 X 5	1	
(40)		LIP SEAL 10 X 25 X 7	1	
(48)		O-RING 3.0 OD	1	
(49)		GASKET	1	
(53)		O-RING 1.9 OD	1	
(58)		RETAINING RING	1	
(66)		LIP SEAL 17 X 40 X 7	1	
202	9005200-8700	PLUG, SHIPPING 7/8-14	1	