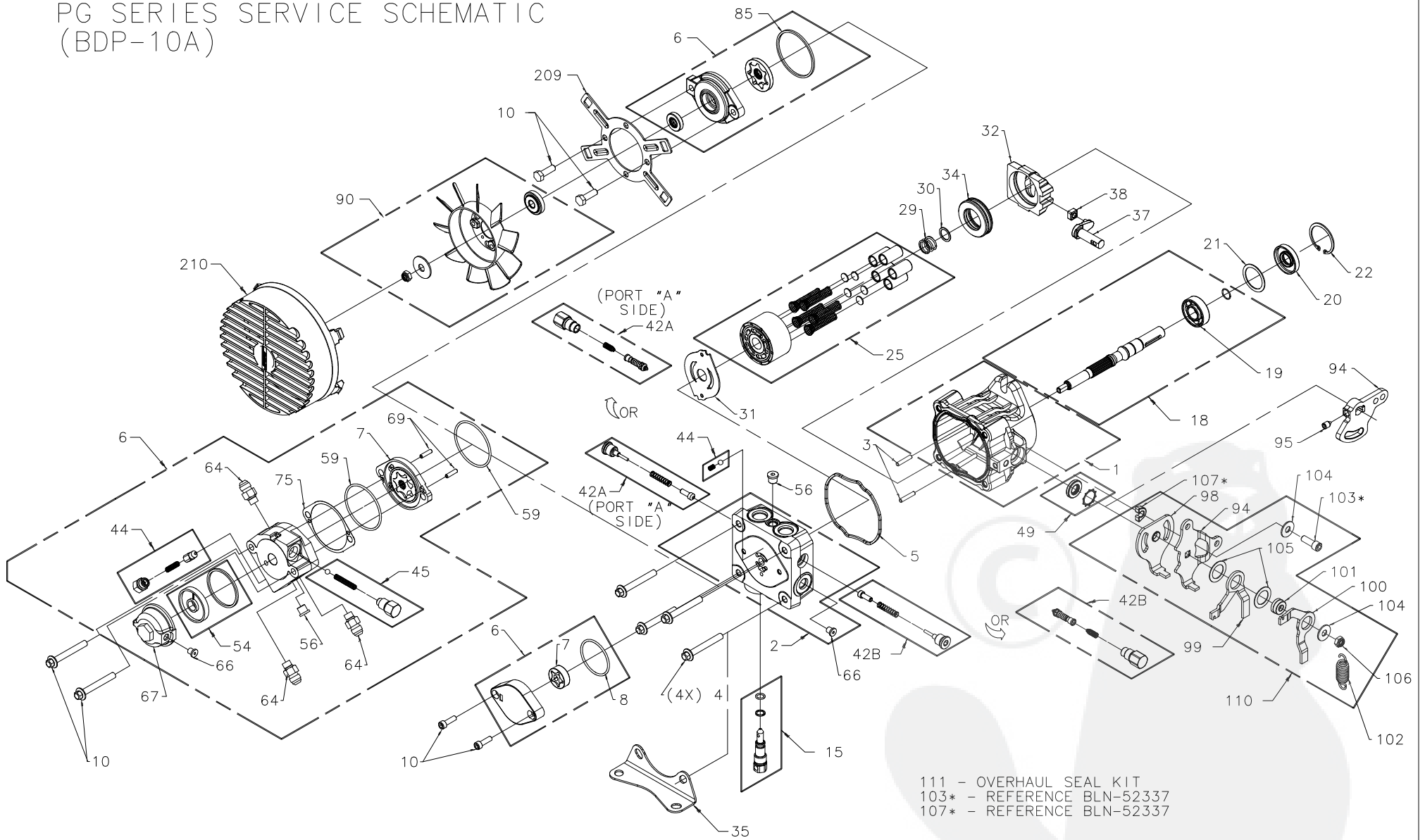
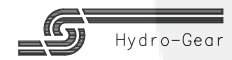


PG SERIES SERVICE SCHEMATIC (BDP-10A)




111 - OVERHAUL SEAL KIT
 103* - REFERENCE BLN-52337
 107* - REFERENCE BLN-52337



PG SERIES Cross Reference Matrix

REFERENCE NO.	MODEL NO.	PUMP SHAFT (KIT #18)	HOUSING (KIT #1)	ENDCAP (KIT #2)	BYPASS VALVE (KIT #15)	CHECK VALVE(LH) (KIT #42B)	CHECK VALVE(RH) (KIT #42A)	TRUNNION ARM	CHARGE PUMP (KIT #6)	CHARGE RELIEF (KIT #44)	INPUT ROTATION	ADDITIONAL
BDP-10A-100	PG-1DQQ-DY1X-XXXX	70521	70516	70517	2513030	2510027	2510027	LH	2513027	70403	CW	
BDP-10A-101	PG-1DQP-DY1X-XXXX	70521	70516	70517	2513030	2510062	2510027	LH	2513027	70403	CW	
BDP-10A-102	PG-4DQQ-DZ1X-XXXX	70727	70516	70517	2513030	2510027	2510027	LH	2513027	70403	CW	CA 45007
BDP-10A-103	PG-4DCC-DZ1X-XXXX	70727	70516	70517	2513030	70743	70743	LH	2513027	70403	CW	CA 45007
BDP-10A-105	PG-1DCC-DA1X-XXXX	70521	70797	70517	2513030	70743	70743	LH	2513027	70403	CW	RTN 70794
BDP-10A-107	PG-1DLL-DA1X-XXXX	70521	70797	70517	2513030	70842	70842	LH	2513027	70403	CW	RTN 70794
BDP-10A-200	PG-1BQQ-DY1X-XXXX	70521	70516	70517	2513030	2510027	2510027	RH	2513027	70403	CW	
BDP-10A-201	PG-DAQQ-DY1X-XXXX	70523	70516	70517	2513030	2510027	2510027	RH	2513027	70403	CW	
BDP-10A-203	PG-1AQP-DY1X-XXXX	70521	70516	70517	2513030	2510062	2510027	RH	2513027	70403	CW	
BDP-10A-204	PG-4BQQ-DZ1X-XXXX	70727	70516	70517	2513030	2510027	2510027	RH	2513027	70403	CW	CA 45007
BDP-10A-205	PG-4BCC-DZ1X-XXXX	70727	70516	70517	2513030	70743	70743	RH	2513027	70403	CW	CA 45007
BDP-10A-207	PG-DACC-DY1X-XXXX	70523	70516	70517	2513030	70743	70743	RH	2513027	70403	CW	
BDP-10A-208	PG-DBJJ-DY1X-XXXX	70523	70516	70517	2513030	70840	70840	RH	2513027	70403	CW	
BDP-10A-209	PG-FBLL-NY1X-XXXX	70726	70516	70623	2513030	70842	70842	RH	70622	70403	CW	
BDP-10A-211	PG-1AEF-DY1X-XXXX	70521	70516	70517	2513030	70837	70836	RH	2513027	70403	CW	
BDP-10A-213	PG-1BCC-DA1X-XXXX	70521	70797	70517	2513030	70743	70743	RH	2513027	70403	CW	RTN 70794
BDP-10A-214	PG-3BNQ-NY11-XXXX	70620	70516	70623	2513030	2510027	2510050	RH	70622	70403	CW	FAN 70793
BDP-10A-215	PG-1BEE-DY2X-XXXX	70521	70516	70517	2513031	70836	70836	RH	2513027	70403	CW	
BDP-10A-216	PG-3BHH-NY11-XXXX	70620	70516	70623	2513030	70839	70839	RH	70622	70403	CW	FAN 70793
BDP-10A-220	PG-1AQQ-DY1X-XXXX	70521	70516	70517	2513030	2510027	2510027	RH	2513027	70403	CW	
BDP-10A-290*		70521	70516	71012	2513030	71012	71012	RH	2513027	70403	CW	*MODEL OBSOLETE
SUPERSEDE WITH	PG-1AAA-DY1X-XXXX	70521	70516	70517	2513030	70741	70741	RH	2513027	70403	CW	
BDP-10A-292*		70521	70516	71013	2513030	71013	71013	RH	2513027	70403	CW	*MODEL OBSOLETE
SUPERSEDE WITH	PG-1BCC-DY1X-XXXX	70521	70516	70517	2513030	70743	70743	RH	2513027	70403	CW	
BDP-10A-293*		70523	70516	71012	2513030	71012	71012	RH	2513027	70403	CW	*MODEL OBSOLETE
SUPERSEDE WITH	PG-DBAA-DY1X-XXXX	70523	70516	70517	2513030	70741	70741	RH	2513027	70403	CW	
BDP-10A-294*		70726	70516	71014	2513030	71014	71014	RH	70622	70403	CW	*MODEL OBSOLETE
SUPERSEDE WITH	PG-FBCC-NY1X-XXXX	70726	70516	70623	2513030	70743	70743	RH	70622	70403	CW	FAN 70632 SEPARATE
BDP-10A-300	PG-1KQQ-DY1X-XXXX	70521	70516	70517	2513030	2510027	2510027	LH	2513027	70403	CCW	
BDP-10A-301	PG-DKQQ-DY1X-XXXX	70523	70516	70517	2513030	2510027	2510027	LH	2513027	70403	CCW	
BDP-10A-302	PG-DJQQ-DY1X-XXXX	70523	70516	70517	2513030	2510027	2510027	LH	2513027	70403	CCW	
BDP-10A-303	PG-1KRQ-DY1X-XXXX	70521	70516	70517	2513030	2510027	2510034	LH	2513027	70403	CCW	
BDP-10A-304	PG-1KNQ-DY1X-XXXX	70521	70516	70517	2513030	2510027	2510050	LH	2513027	70403	CCW	
BDP-10A-305	PG-1JQQ-DY1X-XXXX	70521	70516	70517	2513030	2510027	2510027	LH	2513027	70403	CCW	
BDP-10A-306	PG-3KQQ-NY1X-XXXX	70620	70516	70623	2513030	2510027	2510027	LH	70622	70403	CCW	
BDP-10A-307	PG-1KQQ-DYZX-XXXX	70521	70516	70517	N/A	2510027	2510027	LH	2513027	70403	CCW	
BDP-10A-308	PG-4KQQ-DY1X-XXXX	70727	70516	70517	2513030	2510027	2510027	LH	2513027	70403	CCW	
BDP-10A-309	PG-1JQN-DY1X-XXXX	70521	70516	70517	2513030	2510050	2510027	LH	2513027	70403	CCW	
BDP-10A-310	PG-3JQC-NY1X-XXXX	70620	70516	70623	2513030	70743	70743	LH	70622	70403	CCW	
BDP-10A-312	PG-3KCC-NY1X-XXXX	70620	70516	70623	2513030	70743	70743	LH	70622	70403	CCW	
BDP-10A-313	PG-DJCC-DY1X-XXXX	70523	70516	70517	2513030	70743	70743	LH	2513027	70403	CCW	
BDP-10A-314	PG-3KQQ-NA1X-XXXX	70620	70797	70623	2513030	2510027	2510027	LH	70622	70403	CCW	RTN 70794
BDP-10A-316	PG-1KCC-DY1X-XXXX	70521	70516	70517	2513030	70743	70743	LH	2513027	70403	CCW	
BDP-10A-317	PG-1JBC-DY1X-XXXX	70521	70516	70517	2513030	70743	70742	LH	2513027	70403	CCW	
BDP-10A-318	PG-1KCC-DA1X-XXXX	70521	70797	70517	2513030	70743	70743	LH	2513027	70403	CCW	RTN 70794
BDP-10A-319	PG-1JQQ-DY1X-XXXX	70521	70516	70517	2513030	2510027	2510027	LH	2513027	70403	CCW	
BDP-10A-320	PG-1KQQ-DA1X-XXXX	70521	70797	70517	2513030	2510027	2510027	LH	2513027	70403	CCW	RTN 70794
BDP-10A-321	PG-1JFE-DY1X-XXXX	70521	70516	70517	2510030	70836	70837	LH	2513027	70403	CCW	
BDP-10A-323	PG-1KQQ-DB1X-XXXX	70521	70797	70517	2513030	2510027	2510027	LH	2513027	70403	CCW	RTN 70794
BDP-10A-324	PG-1KRA-DY1X-XXXX	70521	70516	70517	2513030	70741	2510034	LH	2513027	70403	CCW	
BDP-10A-325	PG-1KQR-DY1X-XXXX	70521	70516	70517	2513030	2510034	2510027	LH	2513027	70403	CCW	
BDP-10A-326	PG-1KBB-DA1X-XXXX	70521	70797	70517	2513030	70742	70742	LH	2513027	70403	CCW	RTN 70794
BDP-10A-327	PG-3KCC-NB12-XXXX	70620	70797	70623	2513030	70743	70743	LH	70622	70403	CCW	RTN70794 FAN70811
BDP-10A-329	PG-1KRA-DB1X-XXXX	70521	70797	70517	2513030	70741	2510034	LH	2513027	70403	CCW	RTN 70794
BDP-10A-330*		70521	70516	71012	2513030	71012	71012	LH	2513027	70403	CCW	*MODEL OBSOLETE
SUPERSEDE WITH	PG-1KAN-DY1X-XXXX	70521	70516	70517	2513030	2510050	70741	LH	2513027	70403	CCW	
BDP-10A-331	PG-3KCC-NA1X-XXXX	70620	70797	70623	2513030	70743	70743	LH	70622	70403	CCW	RTN70794
BDP-10A-332	PG-1KJJ-DY1X-XXXX	70521	70516	70517	2513030	70840	70840	LH	2513027	70403	CCW	
BDP-10A-333	PG-1KCC-DC1X-XXXX	70521	70797	70517	2513030	70743	70743	LH	2513027	70403	CCW	RTN 70846
BDP-10A-334	PG-3KDD-NV1X-XXXX	70620	70797	70623	2513030	70744	70744	LH	70622	70403	CCW	CONTROL ARM 51394
BDP-10A-360*		70521	70516	71013	2513030	71013	71013	LH	2513027	70403	CCW	*MODEL OBSOLETE
SUPERSEDE WITH	PG-1KQC-DY1X-XXXX	70521	70516	70517	2513030	70743	2510027	LH	2513027	70403	CCW	


Hydro-Gear Drawing Note: See IDEAS Drawing 70514 for Sheet 1 of 10.

		1411 S. HAMILTON ST. SULLIVAN, IL 61951 PHONE: (217) 728-2581	
SERVICE DRAWING - PG (10 cc)		P 2 of 9	
PART NUMBER: 70514		DATE: 03/24/06	REV: P22

PG SERIES Cross Reference Matrix

REFERENCE NO.	MODEL NO.	PUMP SHAFT (KIT #18)	HOUSING (KIT #1)	ENDCAP (KIT #2)	BYPASS VALVE (KIT #15)	CHECK VALVE(LH) (KIT #42B)	CHECK VALVE(RH) (KIT #42A)	TRUNNION ARM	CHARGE PUMP (KIT #6)	CHARGE RELIEF (KIT #44)	INPUT ROTATION	ADDITIONAL
BDP-10A-361*		70521	70516	71013	2513030	71013	71013	LH	2513027	70403	CCW	*MODEL OBSOLETE
SUPERSEDE WITH	PG-1JQC-DY1X-XXXX	70521	70516	70517	2513030	70743	2510027	LH	2513027	70403	CCW	
BDP-10A-362*		70620	70516	71014	2513030	71014	71014	LH	70622	70403	CCW	*MODEL OBSOLETE
SUPERSEDE WITH	PG-3KQC-NY1X-XXXX	70620	70516	70623	2513030	70743	2510027	LH	70622	70403	CCW	FAN 70629 SEPARATE
BDP-10A-363*		70620	70516	71014	2513030	71014	71014	LH	70622	70403	CCW	*MODEL OBSOLETE
SUPERSEDE WITH	PG-3JQC-NY1X-XXXX	70620	70516	70623	2513030	70743	2510027	LH	70622	70403	CCW	FAN 70629 SEPARATE
BDP-10A-364*		70521	70516	71015	2513030	71015	71015	LH	2513027	70403	CCW	*MODEL OBSOLETE
BDP-10A-366*		70521	70516	70517	2513030	70743	2510062	LH	2513027	70403	CCW	
SUPERSEDE WITH	PG-1JPC-DY1X-XXXX	70521	70516	70517	2513030	70743	2510062	LH	2513027	70403	CCW	
BDP-10A-390*		70521	70516	71013	2513030	71013	71013	LH	2513027	70403	CCW	*MODEL OBSOLETE
SUPERSEDE WITH	PG-1KCC-DY1X-XXXX	70521	70516	70517	2513030	70743	70743	LH	2513027	70403	CCW	
BDP-10A-400	PG-1HQQ-DY1X-XXXX	70521	70516	70517	2513030	2510027	2510027	RH	2513027	70403	CCW	
BDP-10A-401	PG-DHQQ-DY1X-XXXX	70523	70516	70517	2513030	2510027	2510027	RH	2513027	70403	CCW	
BDP-10A-402	PG-1HNP-DY1X-XXXX	70521	70516	70517	2513030	2510062	2510050	RH	2513027	70403	CCW	
BDP-10A-403	PG-1HRQ-DY1X-XXXX	70521	70516	70517	2513030	2510027	2510034	RH	2513027	70403	CCW	
BDP-10A-404	PG-1GQN-DY1X-XXXX	70521	70516	70517	2513030	2510050	2510027	RH	2513027	70403	CCW	
BDP-10A-405	PG-1HNQ-DY1X-XXXX	70521	70516	70517	2513030	2510027	2510050	RH	2513027	70403	CCW	
BDP-10A-406	PG-DGQQ-DY1X-XXXX	70523	70516	70517	2513030	2510027	2510027	RH	2513027	70403	CCW	
BDP-10A-407	PG-1GNQ-DY1X-XXXX	70521	70516	70517	2513030	2510027	2510050	RH	2513027	70403	CCW	
BDP-10A-408	PG-1GQQ-DYZX-XXXX	70521	70516	70517	N/A	2510027	2510027	RH	2513027	70403	CCW	
BDP-10A-410	PG-3HQQ-NY1X-XXXX	70620	70516	70623	2513030	2510027	2510027	RH	70622	70403	CCW	
BDP-10A-411	PG-4HQN-DY1X-XXXX	70727	70516	70517	251303	2510050	2510027	RH	2513027	70403	CCW	
BDP-10A-413	PG-4GQQ-DY1X-XXXX	70727	70516	70517	251303	2510027	2510027	RH	2513027	70403	CCW	
BDP-10A-414	PG-1GNP-DY1X-XXXX	70521	70516	70517	251303	2510062	2510050	RH	2513027	70403	CCW	
BDP-10A-416	PG-3GQC-NY1X-XXXX	70620	70516	70623	2513030	70743	70743	RH	70622	70403	CCW	
BDP-10A-418	PG-1HCC-DY1X-XXXX	70521	70516	70517	2513030	70743	70743	RH	2513027	70403	CCW	
BDP-10A-419	PG-1GCC-DY1X-XXXX	70521	70516	70517	2513030	70743	70743	RH	2513027	70403	CCW	
BDP-10A-421	PG-1HQN-DY1X-XXXX	70521	70516	70517	2513030	2510050	2510027	RH	2513027	70403	CCW	
BDP-10A-423	PG-3HCC-NY1X-XXXX	70620	70516	70623	2513030	70743	70743	RH	70622	70403	CCW	
BDP-10A-424	PG-3HQQ-NA1X-XXXX	70620	70797	70623	2513030	2510027	2510027	RH	70622	70403	CCW	RTN 70794
BDP-10A-426	PG-3GCC-NY1X-XXXX	70620	70516	70623	2513030	70743	70743	RH	70622	70403	CCW	
BDP-10A-427	PG-1GAB-DY1X-XXXX	70521	70516	70517	2513030	70742	70741	RH	2513027	70403	CCW	
BDP-10A-429	PG-1HBC-DY1X-XXXX	70521	70516	70517	2513030	70743	70742	RH	2513027	70403	CCW	
BDP-10A-430*		70521	70516	71012	2513030	71012	71012	RH	2513027	70403	CCW	*MODEL OBSOLETE
SUPERSEDE WITH	PG-1HAN-DY1X-XXXX	70521	70516	70517	2513030	2510050	70741	RH	2513027	70403	CCW	
BDP-10A-431*		70521	70516	71013	2513030	71013	71013	RH	2513027	70403	CCW	*MODEL OBSOLETE
SUPERSEDE WITH	PG-1HCQ-DY1X-XXXX	70521	70516	70517	2513030	2510027	70743	RH	2513027	70403	CCW	
BDP-10A-432*		70620	70516	71016	2513030	71016	71016	RH	70622	70403	CCW	*MODEL OBSOLETE
SUPERSEDE WITH	PG-3GAQ-NZ1X-XXXX	70620	70516	70623	2513030	2510062	70741	RH	70622	70403	CCW	CA 45007, FAN 70632 SEPARATE
BDP-10A-433*		70521	70516	71017	2513030	71017	71017	RH	2513027	70403	CCW	*MODEL OBSOLETE
SUPERSEDE WITH	PG-1GAP-DY1X-XXXX	70521	70516	70517	2513030	2510062	70741	RH	2513027	70403	CCW	


Hydro-Gear Drawing Note: See IDEAS Drawing 70514 for Sheet 1 of 10.

	1411 S. HAMILTON ST. SULLIVAN, IL 61951 PHONE: (217) 728-2581	
	SERVICE DRAWING - PG (10 cc)	P 3 of 9
PART NUMBER:	DATE:	REV:
70514	03/24/06	P22

PG SERIES Cross Reference Matrix

REFERENCE NO.	MODEL NO.	PUMP SHAFT (KIT #18)	HOUSING (KIT #1)	ENDCAP (KIT #2)	BYPASS VALVE (KIT #15)	CHECK VALVE(LH) (KIT #42B)	CHECK VALVE(RH) (KIT #42A)	TRUNNION ARM	CHARGE PUMP (KIT #6)	CHARGE RELIEF (KIT #44)	INPUT ROTATION	ADDITIONAL
BDP-10A-435	PG-1HCC-DA1X-XXXX	70521	70797	70517	2513030	70743	70743	RH	2513027	70403	CCW	RTN 70794
BDP-10A-437	PG-1GQQ-DY1X-XXXX	70521	70516	70517	2513030	2510027	2510027	RH	2513027	70403	CCW	
BDP-10A-438	PG-1HQQ-DB1X-XXXX	70521	70797	70517	2513030	2510027	2510027	RH	2513027	70403	CCW	RTN 70794
BDP-10A-439	PG-1GAC-DY1X-XXXX	70521	70516	70517	2513030	70743	70741	RH	2513027	70403	CCW	
BDP-10A-440	PG-1HCA-DY1X-XXXX	70521	70516	70517	2513030	70741	70743	RH	2513027	70403	CCW	
BDP-10A-441	PG-3HCC-NE1X-XXXX	70620	70797	70623	2513030	70743	70743	RH	70622	70403	CCW	RTN 70847
BDP-10A-442	PG-3GCC-NZ12-XXXX	70620	70516	70623	2513030	70743	70743	RH	70622	70403	CCW	FAN 70811
BDP-10A-443	PG-1GQQ-DB1X-XXXX	70521	70797	70517	2513030	2510027	2510027	RH	70622	70403	CCW	RTN 70794
BDP-10A-445	PG-1GCA-DY1X-XXXX	70521	70516	70517	2513030	70741	70743	RH	2513027	70403	CCW	
BDP-10A-446	PG-1HKK-DA1X-XXXX	70521	70797	70517	2513030	70841	70841	RH	2513027	70403	CCW	RTN 70794
BDP-10A-447	PG-1HRA-DY1X-XXXX	70521	70516	70517	2513030	70741	2510034	RH	2513027	70403	CCW	
BDP-10A-448	PG-1HQR-DY1X-XXXX	70521	70516	70517	2513030	2510034	2510027	RH	2513027	70403	CCW	
BDP-10A-449	PG-1HBB-DA1X-XXXX	70521	70797	70517	2513030	70742	70742	RH	2513027	70403	CCW	RTN 70794
BDP-10A-450	PG-1GEF-DY1X-XXXX	70521	70516	70517	2513030	70837	70836	RH	2513027	70403	CCW	
BDP-10A-451	PG-3HCC-NA12-XXXX	70621	70797	70623	2513030	70743	70743	RH	70622	70403	CCW	RTN70794 FAN70811
BDP-10A-452	PG-1HRA-DA1X-XXXX	70521	70797	70517	2513030	70741	2510034	RH	2513027	70403	CCW	RTN 70794
BDP-10A-453	PG-1HEE-DY2X-XXXX	70521	70516	70517	2513031	70836	70836	RH	2513027	70403	CCW	
BDP-10A-454	PG-3HCC-NA1X-XXXX	70621	70797	70623	2513030	70743	70743	RH	70622	70403	CCW	RTN 70794
BDP-10A-456	PG-1HQQ-DA1X-XXXX	70521	70797	70517	2513030	2510027	2510027	RH	70622	70403	CCW	RTN 70794
BDP-10A-457	PG-3HDD-NV1X-XXXX	70620	70797	70623	2513030	70744	70744	RH	70622	70403	CCW	CONTROL ARM 51394
BDP-10A-458	PG-1HCC-DE1X-XXXX	70521	70797	70517	2513030	70743	70743	RH	2513027	70403	CCW	RTN 70847
BDP-10A-460*		70521	70516	71013	2513030	71013	71013	RH	2513027	70403	CCW	*MODEL OBSOLETE
SUPERSEDE WITH	PG-1HQC-DY1X-XXXX	70521	70516	70517	2513030	70743	2510027	RH	2513027	70403	CCW	
BDP-10A-461*		70521	70516	71013	2513030	71013	71013	RH	2513027	70403	CCW	*MODEL OBSOLETE
SUPERSEDE WITH	PG-1GQC-DY1X-XXXX	70521	70516	70517	2513030	70743	2510027	RH	2513027	70403	CCW	
BDP-10A-462*		70620	70516	71014	2513030	71014	71014	RH	70622	70403	CCW	*MODEL OBSOLETE
SUPERSEDE WITH	PG-3HQC-NY1X-XXXX	70620	70516	70623	2513030	70743	2510027	RH	70622	70403	CCW	FAN 70629 SEPARATE
BDP-10A-463*		70620	70516	71014	2513030	71014	71014	RH	70622	70403	CCW	*MODEL OBSOLETE
SUPERSEDE WITH	PG-3GQC-NY1X-XXXX	70620	70516	70623	2513030	70743	2510027	RH	70622	70403	CCW	FAN 70629 SEPARATE
BDP-10A-464*		70521	70516	71015	2513030	71015	71015	RH	2513027	70403	CCW	*MODEL OBSOLETE
SUPERSEDE WITH	PG-1HPC-DY1X-XXXX	70521	70516	70517	2513030	70743	2510062	RH	2513027	70403	CCW	
BDP-10A-466*		70521	70516	71015	2513030	71015	71015	RH	2513027	70403	CCW	*MODEL OBSOLETE
SUPERSEDE WITH	PG-1HPC-DY1X-XXXX	70521	70516	70517	2513030	70743	2510062	RH	2513027	70403	CCW	
BDP-10A-490*		70521	70516	71013	2513030	71013	71013	RH	2513027	70403	CCW	*MODEL OBSOLETE
SUPERSEDE WITH	PG-1HCC-DY1X-XXXX	70521	70516	70517	2513030	70743	70743	RH	2513027	70403	CCW	
BDP-10A-600	PG-2CNN-HY1X-XXXX	70522	70516	70519	2513030	2510050	2510050	LH	70577	2510081	CW	
BDP-10A-701	PG-2BNN-HY1X-XXXX	70522	70516	70519	2513030	2510050	2510050	RH	70577	2510081	CW	
BDP-10A-703	PG-2ACC-HA1X-XXXX	70522	70797	70519	2513030	70743	70743	RH	70577	2510081	CW	RTN 70794
BDP-10A-801	PG-2KCC-TC1X-XXXX	70522	70797	70519	2513030	70743	70743	LH	TBD.	2510081	CCW	RTN 70846
BDP-10A-901	PG-2HCC-HY1X-XXXX	70522	70516	70519	2513030	70743	70743	RH	70577	2510081	CCW	
BDP-10A-902	PG-2HCC-UY1X-XXXX	70522	70516	70519	2513030	70743	70743	RH	70582	2510081	CCW	
BDP-10A-903	PG-2GCC-HA1X-XXXX	70522	70797	70519	2513030	70743	70743	RH	70577	2510081	CCW	RTN 70794
BDP-10A-990*		70522	70516	71018	2513030	71018	71018	RH	70577	2510081	CCW	*MODEL OBSOLETE
SUPERSEDE WITH	PG-2HCC-HY1X-XXXX	70522	70516	70519	2513030	70743	70743	RH	70577	2510081	CCW	

Hydro-Gear Drawing Note: See IDEAS Drawing 70514 for Sheet 1 of 10.

		1411 S. HAMILTON ST. SULLIVAN, IL 61951 PHONE: (217) 728-2581	
SERVICE DRAWING - PG (10 cc)		P 4 of 9	
PART NUMBER:		DATE:	03/24/06
		70514	REV: P22

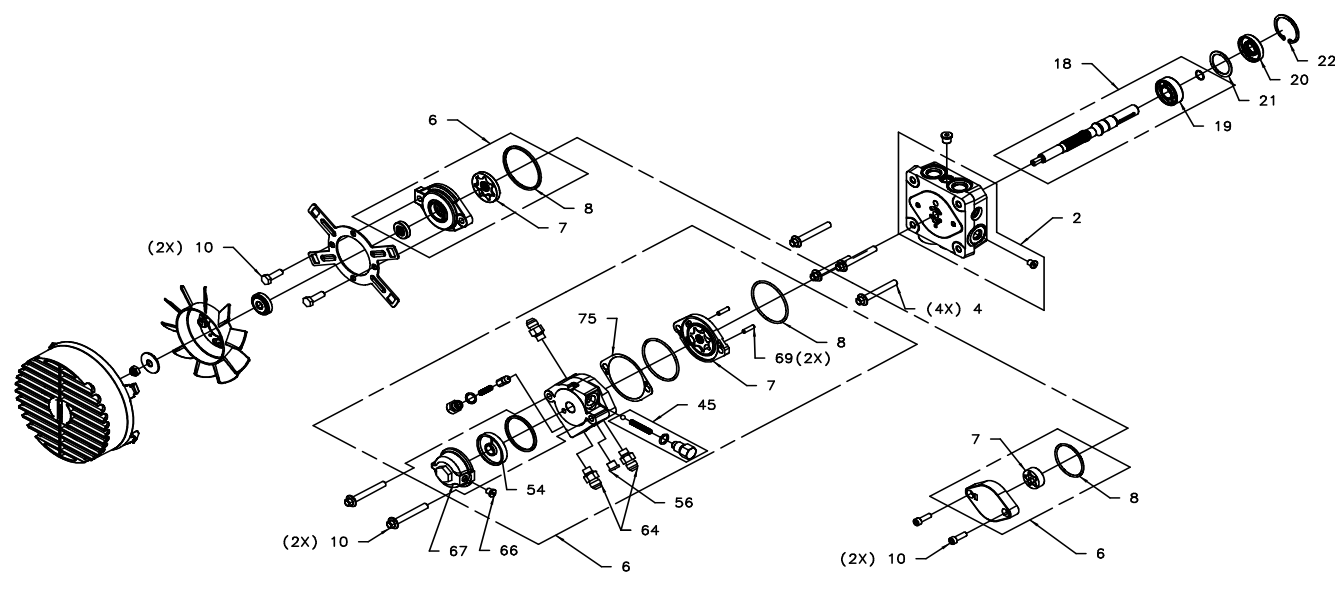
PG SERIES Item # Listing

MODEL NUMBER:

P	G	-														
1	2	-	3	4	5	6	-	7	8	9	10	-	11	12	13	14

CHARACTER #:

END CAP AND INPUT SHAFT KITS				
CHARACTER 3	ITEM #	COMPONENT #	DESCRIPTION	QTY
A	2	70517	KIT, END CAP FOR POPPETS (STD CHG)	1
	6	2513027	KIT, CHG PUMP	1
	7	50273	GEROTOR	1
	8	9004101-1340	O-RING	1
	10	50975	CAPSCREW 6M X 1.0 X 25mm	2
B	18	71262	KIT, PUMP SHAFT (5/8 STRAIGHT KEYED)	1
	2	70519	KIT, END CAP FOR POPPETS (AUX CHG)	1
	6	SEE PAGE 8	DEPENDENT ON CHARACTER 7	1
	7	51049	GEROTOR	1
	8	9004100-1430	O-RING	1
C	10	50969	HFHCS M8X1.25X60	2
	18	71249	KIT, PUMP SHAFT (5/8 KEYED, STD CHG)	1
	45	2510082	KIT, AUX RELIEF VALVE	1
	2	70623	KIT, END CAP W/POPPETS, THRU (STD CHG)	1
	6	70622	KIT, CHG PUMP (STD CHG)	1
D	7	51346	GEROTOR	1
	8	51016	O-RING	1
	10	9007200-3116	CAP SCREW 5/16-18	2
	18	71250	KIT, PUMP SHAFT (5/8 KEYED, THRU)	1
	2	70517	KIT, END CAP FOR POPPETS (STD CHG)	1
E	6	2513027	KIT, CHG PUMP	1
	7	50273	GEROTOR	1
	8	9004104-1340	O-RING	1
	10	50975	CAPSCREW 6M X 1.0 X 25mm	2
	18	70523	KIT, PUMP SHAFT (9T 16/32)	1
F	2	70519	KIT, END CAP FOR POPPETS (AUX CHG)	1
	6	SEE PAGE 8	DEPENDENT ON CHARACTER 7	1
	7	51049	GEROTOR	1
	8	9004100-1430	O-RING	1
	10	50969	HFHCS M8X1.25X60	2
1	18	70524	KIT, PUMP SHAFT (9T 16/32)	1
	45	2510082	KIT, AUX RELIEF VALVE	1
	2	70623	KIT, END CAP W/POPPETS, THRU (STD CHG)	1
	6	70622	KIT, CHG PUMP (STD CHG)	1
	7	51346	GEROTOR	1
2	8	51016	O-RING	1
	10	9007200-3116	CAP SCREW 5/16-18	2
	18	70726	KIT, PUMP SHAFT (9T 16/32 THRU)	1
	2	70517	KIT, END CAP FOR POPPETS (STD CHG)	1
	6	2513027	KIT, CHG PUMP	1
3	7	50273	GEROTOR	1
	8	9004101-1340	O-RING	1
	10	50975	CAPSCREW 6M X 1.0 X 25mm	2
	18	70521	KIT, PUMP SHAFT (15mm STRAIGHT KEYED)	1
	2	70519	KIT, END CAP FOR POPPETS (AUX CHG)	1
4	6	SEE PAGE 8	DEPENDENT ON CHARACTER 7	1
	7	51049	GEROTOR	1
	8	9004100-1430	O-RING	1
	10	50969	HFHCS M8X1.25X60	2
	18	70522	KIT, PUMP SHAFT (15mm STRAIGHT KEYED)	1
5	45	2510082	KIT, AUX RELIEF VALVE	1
	2	70623	KIT, END CAP W/POPPETS, THRU (STD CHG)	1
	6	70622	KIT, CHG PUMP (STD CHG)	1
	7	51346	GEROTOR	1
	8	51016	O-RING	1
6	10	9007200-3116	CAP SCREW 5/16-18	2
	18	70620	KIT, PUMP SHAFT (15mm STRAIGHT KEYED, THRU)	1
	2	70623	KIT, END CAP W/POPPETS, THRU (STD CHG)	1
	6	70622	KIT, CHG PUMP (STD CHG)	1
	7	51346	GEROTOR	1



CHARACTER 3	ITEM #	COMPONENT #	DESCRIPTION	QTY
4	2	70517	KIT, END CAP FOR POPPETS (STD CHG)	1
	6	2513027	KIT, CHG PUMP	1
	7	50273	GEROTOR	1
	8	9004101-1340	O-RING	1
	10	50975	CAPSCREW 6M X 1.0 X 25mm	2
5	18	70727	KIT, PUMP SHAFT (15mm TAPERED, KEYED)	1
	2	70623	KIT, END CAP W/POPPETS, THRU (STD CHG)	1
	6	70622	KIT, CHG PUMP (STD CHG)	1
	7	51346	GEROTOR	1
	8	51016	O-RING	1
6	10	9007200-3116	CAP SCREW 5/16-18	2
	18	71252	KIT, PUMP SHAFT (15mm TAPERED KEY, THRU)	1
	2	70623	KIT, END CAP W/POPPETS, THRU (STD CHG)	1
	6	70622	KIT, CHG PUMP (STD CHG)	1
	7	51346	GEROTOR	1

GENERIC PARTS LISTING (ALL MODELS)				
ITEM #	COMPONENT #	DESCRIPTION	QTY	
4	50969	HEX FLANGE BOLT M8-1.25 x 60mm Long	4	
19	50315	BALL BEARING 17 X 40 X 12	1	
20	51161	LIP SEAL 17 X 40 X 7 PTC	1	
21	50951	SPACER	1	
22	50329	RETAINING RING	1	
54	2510090	AUXILIARY FILTER KIT	1	
56	9005110-4400	STRAIGHT THREAD PLUG	1	
64	51359	CONNECTOR, -6 -4 37 DEG SAE STR THD	3	
66	9005110-3100	5/16" SAE PLUG	1	
67	50994	FILTER COVER	1	
69	50408	STRAIGHT HEADLESS PIN	2	
75	51148	SHIM - CHARGE PUMP (.002 - RED)	1	

Hydro-Gear Drawing Note: See IDEAS Drawing 70514 for Sheet 1 of 10.

	1411 S. HAMILTON ST. SULLIVAN, IL 61951 PHONE: (217) 728-2581	
	SERVICE DRAWING - PG (10 cc)	P 5 of 9
PART NUMBER:	70514	REV: P22
	DATE:	03/24/06

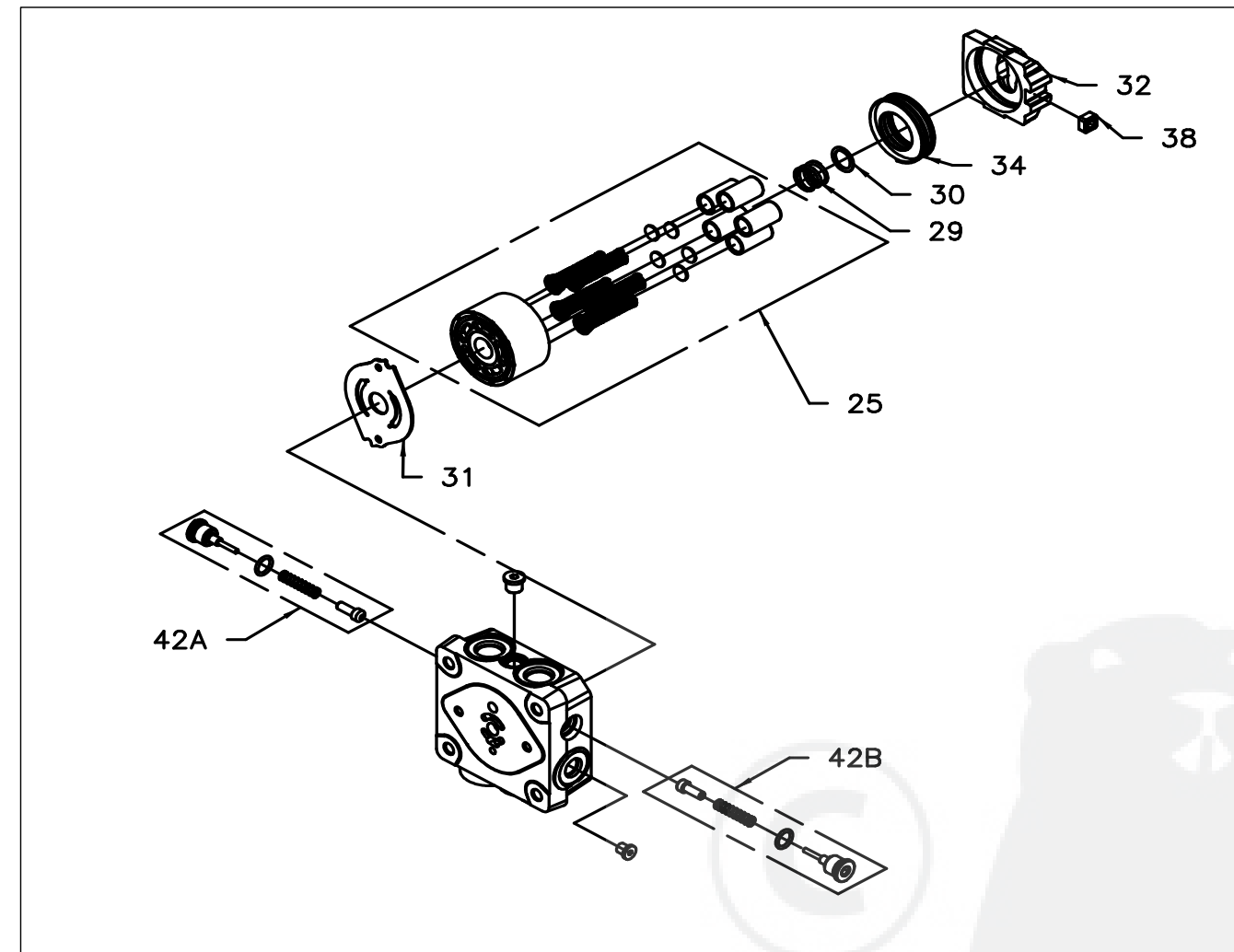
PG SERIES Item # Listing

MODEL NUMBER: P G - - - - -
 CHARACTER #: 1 2 - 3 4 5 6 - 7 8 9 10 - 11 12 13 14

SHOCK VALVE KITS, "A" SIDE				
CHARACTER 5	ITEM #	COMPONENT #	DESCRIPTION	QTY
A		70741	KIT, SHOCK VALVE (200 BAR, BLANK ORIFICE)	1
B		70742	KIT, SHOCK VALVE (200 BAR, .024 ORIFICE)	1
C		70743	KIT, SHOCK VALVE (200 BAR, .031 ORIFICE)	1
D		70744	KIT, SHOCK VALVE (200 BAR, .044 ORIFICE)	1
E		70836	KIT, SHOCK VALVE (160 BAR, BLANK ORIFICE)	1
F		70837	KIT, SHOCK VALVE (160 BAR, .024 ORIFICE)	1
G		70838	KIT, SHOCK VALVE (160 BAR, .031 ORIFICE)	1
H		70839	KIT, SHOCK VALVE (160 BAR, .044 ORIFICE)	1
J	42A	70840	KIT, SHOCK VALVE (120 BAR, BLANK ORIFICE)	1
K		70841	KIT, SHOCK VALVE (120 BAR, .024 ORIFICE)	1
L		70842	KIT, SHOCK VALVE (120 BAR, .031 ORIFICE)	1
M		70843	KIT, SHOCK VALVE (120 BAR, .044 ORIFICE)	1
N		2510050	KIT, CHECK VALVE (BLANK ORIFICE)	1
P		2510062	KIT, CHECK VALVE (.024 ORIFICE)	1
Q		2510027	KIT, CHECK VALVE (.031 ORIFICE)	1
R		2510034	KIT, CHECK VALVE (.044 ORIFICE)	1
T		71254	KIT, CHECK VALVE (.016 ORIFICE)	1

SHOCK VALVE KITS, "B" SIDE				
CHARACTER 6	ITEM #	COMPONENT #	DESCRIPTION	QTY
A		70741	KIT, SHOCK VALVE (200 BAR, BLANK ORIFICE)	1
B		70742	KIT, SHOCK VALVE (200 BAR, .024 ORIFICE)	1
C		70743	KIT, SHOCK VALVE (200 BAR, .031 ORIFICE)	1
D		70744	KIT, SHOCK VALVE (200 BAR, .044 ORIFICE)	1
E		70836	KIT, SHOCK VALVE (160 BAR, BLANK ORIFICE)	1
F		70837	KIT, SHOCK VALVE (160 BAR, .024 ORIFICE)	1
G		70838	KIT, SHOCK VALVE (160 BAR, .031 ORIFICE)	1
H		70839	KIT, SHOCK VALVE (160 BAR, .044 ORIFICE)	1
J	42B	70840	KIT, SHOCK VALVE (120 BAR, BLANK ORIFICE)	1
K		70841	KIT, SHOCK VALVE (120 BAR, .024 ORIFICE)	1
L		70842	KIT, SHOCK VALVE (120 BAR, .031 ORIFICE)	1
M		70843	KIT, SHOCK VALVE (120 BAR, .044 ORIFICE)	1
N		2510050	KIT, CHECK VALVE (BLANK ORIFICE)	1
P		2510062	KIT, CHECK VALVE (.024 ORIFICE)	1
Q		2510027	KIT, CHECK VALVE (.031 ORIFICE)	1
R		2510034	KIT, CHECK VALVE (.044 ORIFICE)	1
T		71254	KIT, CHECK VALVE (.016 ORIFICE)	1

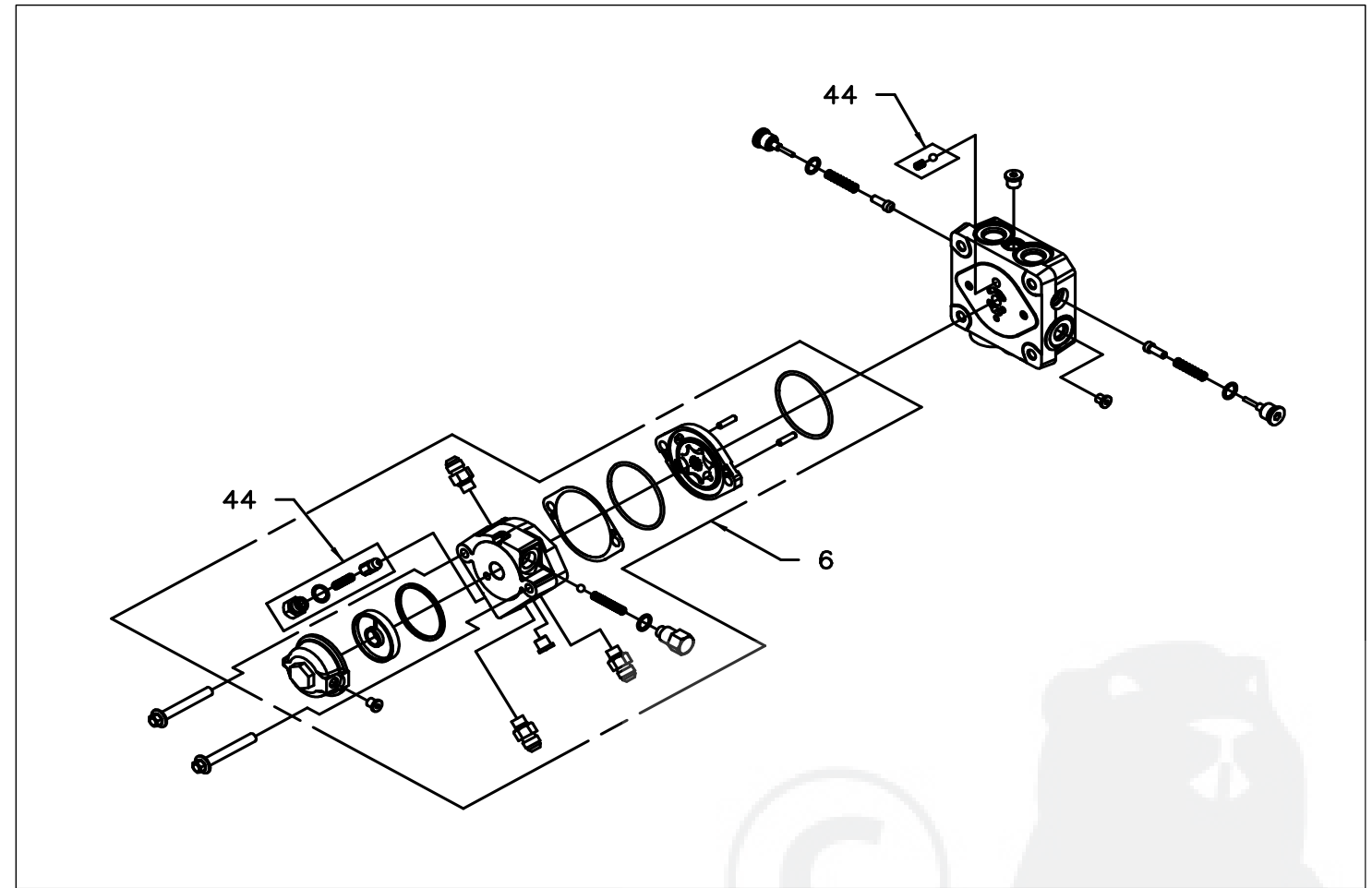
GENERIC PARTS LISTING (ALL MODELS)			
ITEM #	COMPONENT #	DESCRIPTION	QTY
25	70331	CYLINDER BLOCK KIT	1
29	2003014	BLOCK SPRING	1
30	2003017	BLOCK THRUST WASHER	1
31	51444	VALVE PLATE	1
32	2003087	SWASHPLATE	1
34	50551	BALL THRUST BEARING	1
38	2000015	SLOT GUIDE	1



PG SERIES Item # Listing

MODEL NUMBER: P G - - - -
 CHARACTER #: 1 2 - 3 4 5 6 - 7 8 9 10 - 11 12 13 14

CHARGE RELIEF AND AUXILIARY PUMP KITS				
CHARACTER 7	ITEM #	COMPONENT #	DESCRIPTION	QTY
D OR N	44	70403	KIT, CHARGE RELIEF VALVE	1
F OR W	44	70402	KIT, CHARGE RELIEF VALVE	1
H	6	70577	KIT, AUXILIARY PUMP (AL 15T SPLINED, 2-7/16 SAE PORTS)	1
	44	2510081	KIT, CHARGE RELIEF	1
T	6	70582	KIT, AUXILIARY PUMP (AL SPLINED, 9/16 TUBE FITTINGS)	1
	44	2510081	KIT, CHARGE RELIEF	1
U	6	70582	KIT, AUXILIARY PUMP (AL SPLINED, 9/16 TUBE FITTINGS)	1
	44	2510081	KIT, CHARGE RELIEF	1
5	6	70577	KIT, AUXILIARY PUMP (AL 15T SPLINED, 2-7/16 SAE PORTS)	1
	44	2510081	KIT, CHARGE RELIEF	1

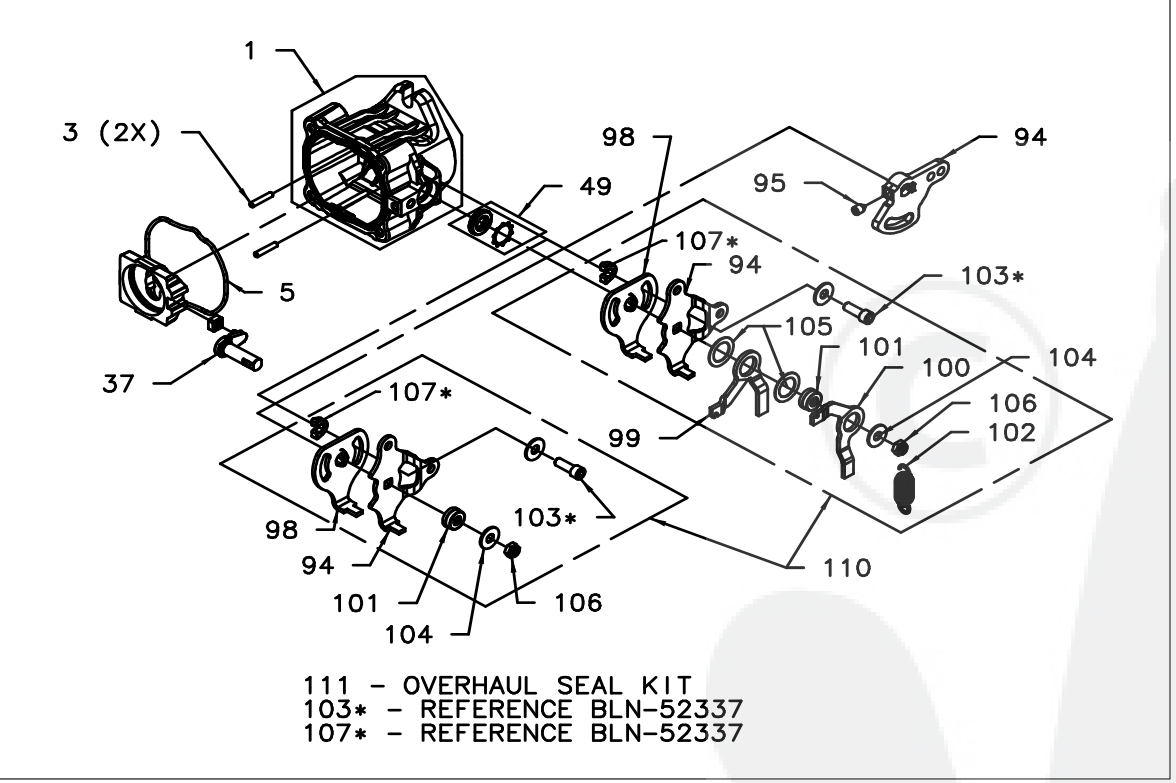


PG SERIES Item # Listing

MODEL NUMBER: P G - - - - -
 CHARACTER #: 1 2 - 3 4 5 6 - 7 8 9 10 - 11 12 13 14

TRUNNION ARM, HOUSING AND RETURN KITS				
CHARACTER 8	ITEM #	COMPONENT #	DESCRIPTION	QTY
A, B	1	70797	KIT, HOUSING	1
	37	50807	ARM, TRUNNION, TAPERED SQUARE	1
	99	51392	ARM, RETURN SCISSOR INNER	1
	100	51393	ARM, RETURN SCISSOR OUTER	1
	102	52401	SPRING, EXTENSION (STD)	1
110	70794	KIT, RETURN	1	
C, D	1	70797	KIT, HOUSING	1
	37	50807	ARM, TRUNNION, TAPERED SQUARE	1
	99	51722	ARM, CW RETURN SCISSOR INNER	1
	100	51393	ARM, RETURN SCISSOR OUTSIDE	1
	102	52401	SPRING, EXTENSION (STD)	1
110	70846	KIT, RETURN	1	
E, F	1	70797	KIT, HOUSING	1
	37	50807	ARM, TRUNNION, TAPERED SQUARE	1
	99	51392	ARM, RETURN SCISSOR INNER	1
	100	51723	ARM, CCW RETURN SCISSORS OUTER	1
	102	52401	SPRING, EXTENSION (STD)	1
110	70847	KIT, RETURN	1	
G, H	1	70797	KIT, HOUSING	1
	37	50807	ARM, TRUNNION, TAPERED SQUARE	1
	99	51392	ARM, RETURN SCISSOR INNER	1
	100	51393	ARM, RETURN SCISSOR OUTSIDE	1
	102	51605	SPRING, EXTENSION (HVY)	1
110	70872	KIT, RETURN	1	
J, K	1	70797	KIT, HOUSING	1
	37	50807	ARM, TRUNNION, TAPERED SQUARE	1
	99	51722	ARM, CW RETURN SCISSOR INNER	1
	100	51393	ARM, RETURN SCISSOR OUTSIDE	1
	102	51605	SPRING, EXTENSION (HVY)	1
110	70873	KIT, RETURN	1	
L, M	1	70797	KIT, HOUSING	1
	37	50807	ARM, TRUNNION, TAPERED SQUARE	1
	99	51392	ARM, RETURN SCISSOR INNER	1
	100	51723	ARM, CCW RETURN SCISSORS OUTER	1
	102	51605	SPRING, EXTENSION (HVY)	1
110	70874	KIT, RETURN	1	
N, P	1	70797	KIT, HOUSING	1
	37	50807	ARM, TRUNNION, TAPERED SQUARE	1
	99	51392	ARM, RETURN SCISSOR INNER	1
	100	51393	ARM, RETURN SCISSOR OUTER	1
	102	51833	SPRING, EXTENSION (MED)	1
110	71034	KIT, RETURN	1	
Q, R	1	70797	KIT, HOUSING	1
	37	50807	ARM, TRUNNION, TAPERED SQUARE	1
	99	51722	ARM, CW RETURN SCISSOR INNER	1
	100	51393	ARM, RETURN SCISSOR OUTSIDE	1
	102	51833	SPRING, EXTENSION (MED)	1
110	71035	KIT, RETURN	1	
T, U	1	70797	KIT, HOUSING	1
	37	50807	ARM, TRUNNION, TAPERED SQUARE	1
	99	51392	ARM, RETURN SCISSOR INNER	1
	100	51723	ARM, CCW RETURN SCISSORS OUTER	1
	102	51833	SPRING, EXTENSION (MED)	1
110	71036	KIT, RETURN	1	

CHARACTER 8	ITEM #	COMPONENT #	DESCRIPTION	QTY
Y	1	70516	KIT, HOUSING	1
	37	2003005	ARM, TRUNNION, DOUBLE D	1
	1	70516	KIT, HOUSING	1
Z	37	2003005	ARM, TRUNNION, DOUBLE D	1
	94	45007	ARM, CONTROL	1
	95	50018	SCREW, SOCKET HEAD SET, 5/16-24 X .50	1
1	1	70797	KIT, HOUSING	1
	37	50807	ARM, TRUNNION, TAPERED SQUARE	1
	1	70797	KIT, HOUSING	1
2, 3	37	50807	ARM, TRUNNION, TAPERED SQUARE	1
	110	71255	KIT, RETURN	1
	1	70797	KIT, HOUSING	1
4, 7	37	50807	ARM, TRUNNION, TAPERED SQUARE	1
	99	51993	ARM, RETURN INSIDE	1
	100	51994	ARM, RETURN OUTSIDE	1
	102	51883	SPRING, EXTENSION (MED)	1
	110	71264	KIT, RETURN	1
5, 6	1	70797	KIT, HOUSING	1
	37	50807	ARM, TRUNNION, TAPERED SQUARE	1
	99	51991	ARM, RETURN INSIDE	1
	100	51992	ARM, RETURN OUTSIDE	1
	102	51833	SPRING, EXTENSION (MED)	1
110	71263	KIT, RETURN	1	



GENERIC PARTS LISTING (ALL MODELS)			
ITEM #	COMPONENT #	DESCRIPTION	QTY
3	50641	STRAIGHT HEADLESS PIN	2
5	51232	HOUSING O-RING	1
49	2513043	TRUNNION SEAL / RETAINER KIT	1
94	51394	ARM, CONTROL	1
98	51391	ARM, RETURN	1
101	51604	SPACER, RTN	1
103	51400	SCREW, 5/16-24 X .75 (PATCH)	1
104	44130	WASHER .34 X .88 X .06	1
105	51408	WASHER, NYLON	2
106	50108	NUT, HEX LOCK 5/16-24 UNF (NYLON INSERT)	1
107	51561	SPACER	1
111	70525	OVERHAUL SEAL KIT	1

Hydro-Gear Drawing Note: See IDEAS Drawing 70514 for Sheet 1 of 10.

PG SERIES Item # Listing

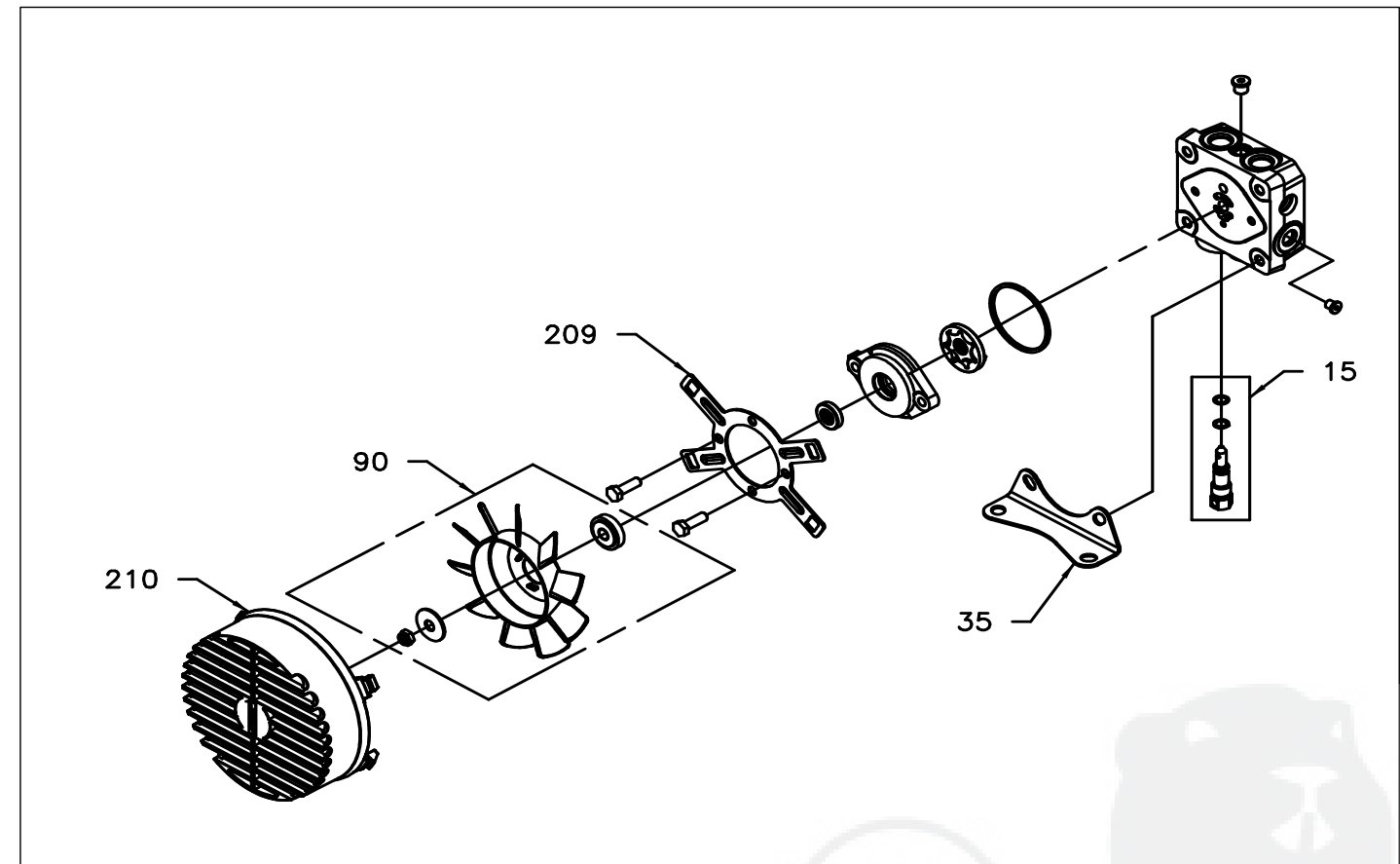
MODEL NUMBER: P G - - - - -
 CHARACTER #: 1 2 - 3 4 5 6 - 7 8 9 10 - 11 12 13 14

BYPASS KITS				
CHARACTER 9	ITEM #	COMPONENT #	DESCRIPTION	QTY
1	15	2513030	KIT, BYPASS	1
2		2513031	KIT, BYPASS	1
Z		50918	KALLEVIG VALVE (TORO ONLY)	1

FAN & HUB KITS					
CHARACTER 10	ITEM #	COMPONENT #	DESCRIPTION	QTY	
X	90	N/A	NONE	0	
A		71172	KIT, HUB 6" FAN CCW	1	
B, D	90	71172	KIT, HUB 6" FAN CCW	1	
		209	52016	BRACKET, SHROUD	1
C, E	90	71172	KIT, HUB 6" FAN CCW	1	
		209	52016	BRACKET, SHROUD	1
		210	52059	SHROUD	1
1	90	70793	KIT, HUB 7" FAN CCW	1	
2		70811	KIT, HUB 7" FAN CW	1	
3		70629	KIT, HUB 6" FAN CCW	1	
4		70632	KIT, HUB 7" FAN CCW	1	

TORQUE BRACKET				
CHARACTER 11	ITEM #	COMPONENT #	DESCRIPTION	QTY
X	35	N/A	NONE	0
1, 2, 3, 4		51593	TORQUE BRACKET	1

GENERIC PARTS LISTING (ALL MODELS)				
ITEM #	COMPONENT #	DESCRIPTION	QTY	
35	51593	BRACKET, TORQUE	1	



P22	PAGE 8 CHAR 8 = 4,7 REV'D 71263 TO 71264 CHAR 8 = 5,6 REV'D 71264 TO 71263	18218	3/24/2006	J PROBST
-----	--	-------	-----------	----------

