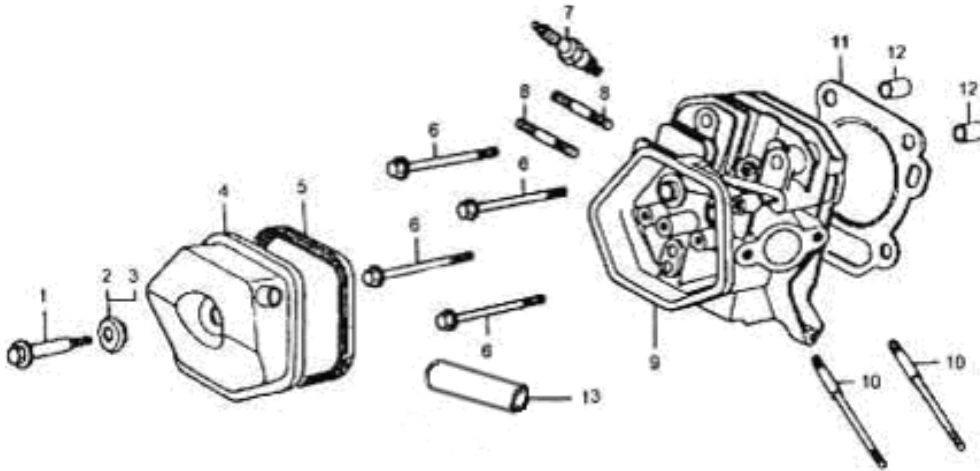
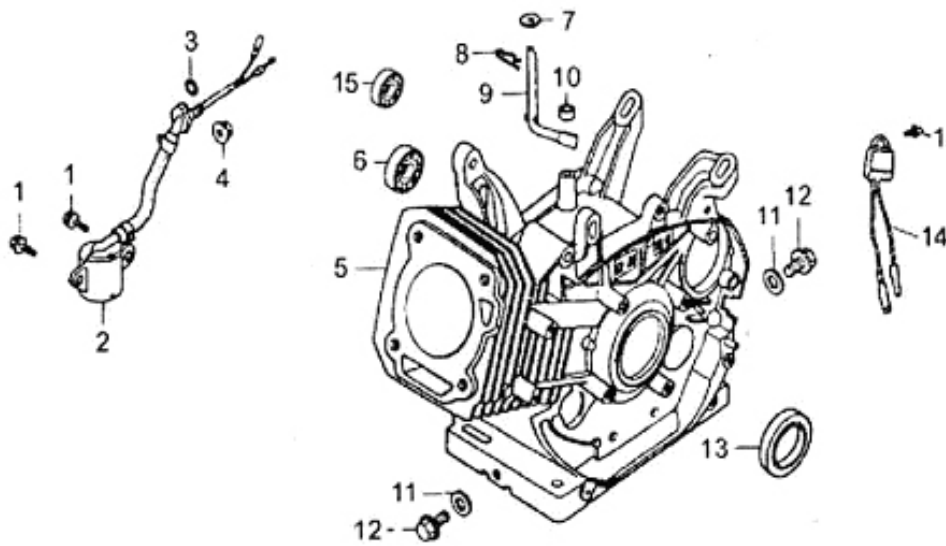


Cylinder head system assy.



SN	DESCRIPTION	CODE NO.		QTY/UNIT		REMARK
		JF340	JF390	JF340	JF390	
1	HEAD COVER COMP. BOLT	JF340-A-01		1	1	
2	HEAD COVER WASHER COMP.	JF340-A-02		1	1	
3	WASHER COVER PACKING	JF340-A-03		1	1	
4	HEAD COVER COMP.	JF340-A-04		1	1	ASSEMBLY
5	HEAD COVER PACKING	JF340-A-05		1	1	
6	FLANGE BOLT (M10×80)	JF340-A-06		4	4	
7	SPARK PLUG	JF340-A-07		1	1	
8	EXHAUST PIPE STUD BOLT	JF340-A-08A		2	2	
9	CYLINDER HEAD COMP.	JF340-A-09		1	1	ASSEMBLY
10	CARBURETOR STUD BOLT	JF340-A-10A		2	2	
11	CYLINDER HEAD SEALING PAD	JF340-A-11	JF390-A-11	1	1	
12	DOWEL PIN (φ10×φ12×20)	JF340-A-12		2	2	
13	BREATHER TUBE	JF340-A-13A		1	1	

Cylinder barrel



SN	DESCRIPTION	CODE NO.		QTY/UNIT		REMARK
		JF340	JF390	JF340	JF390	
1	FLANGE BOLT (M6×14)	JF340-B-01		3	3	
2	OIL LEVEL SWITCH ASSY.	JF240-B-02		1	1	ASSEMBLY
3	O-RING (14mm)	JF240-B-03		1	1	
4	FLANGE NUT (10 mm)	JF340-B-02		1	1	
5	CRANK CASE	JF340-B-03	JF390-B-03	1	1	
6	BALL BEARING (6207)	JF340-B-04		1	1	
7	WASHER (φ8.3×φ17×1)	JF340-B-05		1	1	
8	LOCK PIN (10 mm)	JF340-B-06		1	1	
9	GOVERNOR ARM SHAFT	JF340-B-07		1	1	
10	OIL SEAL (φ8×φ14×5)	JF340-B-08		1	1	
11	DRAIN PLUG WASHER (12 mm)	JF340-B-09		2	2	
12	DRAIN PLUG BOLT	JF340-B-10		2	2	
13	OIL SEAL (φ35×φ52×8)	JF340-B-11		1	1	
14	OIL PROTECTOR	JF340-B-12		1	1	

[Texte]

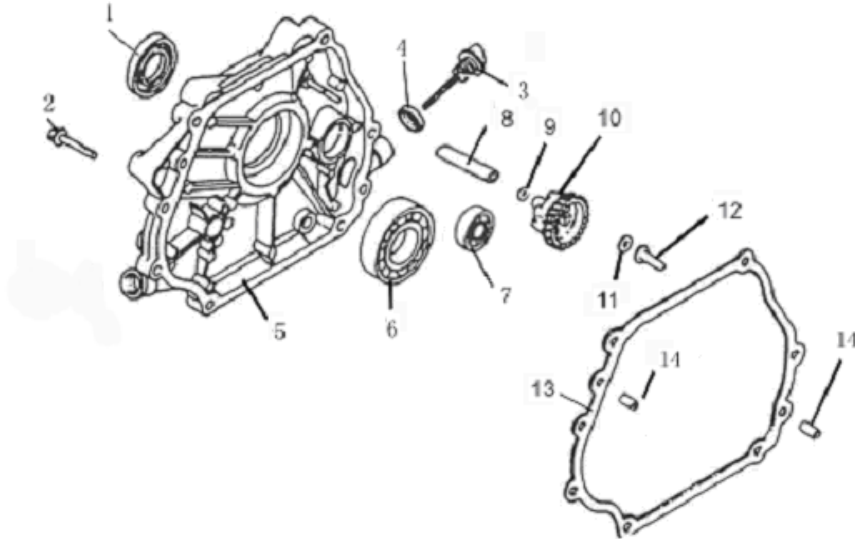
JF340

[Texte]

15	BALL BEARING (6202)	JF340-B-13	1	1	
----	---------------------	------------	---	---	--

Crankcase cover system assy.

3



SN	DESCRIPTION	CODE NO.		QTY/UNIT		REMARK
		JF340	JF390	JF340	JF390	
1	OIL SEAL ($\phi 35 \times \phi 52 \times 8$)	JF340-B-11		1	1	
2	FLANGE BOLT (M8×35)	JF340-C-01		7	7	
3	OIL SCALE	JF340-C-02A		2	2	
4	OIL SCALE SEAL RING	JF340-C-03		2	2	
5	CRANKCASE COVER	JF340-C-04A		1	1	
6	BALL BEARING (6207)	JF340-B-04		1	1	
7	BALL BEARING (6202)	JF340-B-13		1	1	
8	SLIDER SHAFT	JF340-C-05		1	1	
9	GOVERNOR GEAR WASHER (6 mm)	JF340-C-06		1	1	
10	GOVERNOR GEAR	JF340-C-07		1	1	
11	SLIDER WASHER (6 mm)	JF340-C-08		1	1	
12	GOVERNOR SLIDER	JF340-C-09		1	1	
13	CRANKCASE COVER PAD	JF340-C-10		1	1	
14	DOWEL PIN (8×12)	JF240-C-11		2	2	

[Texte]

JF340

[Texte]



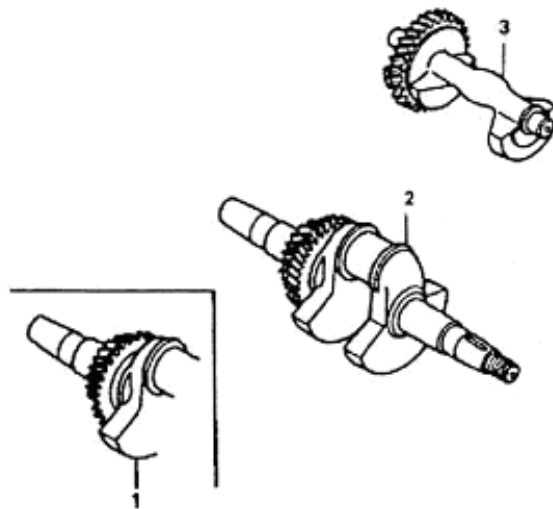
[Texte]

JF340

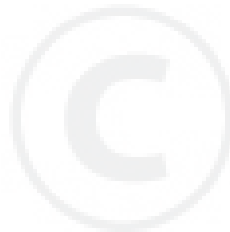
[Texte]

Crankshaft system assy.

4

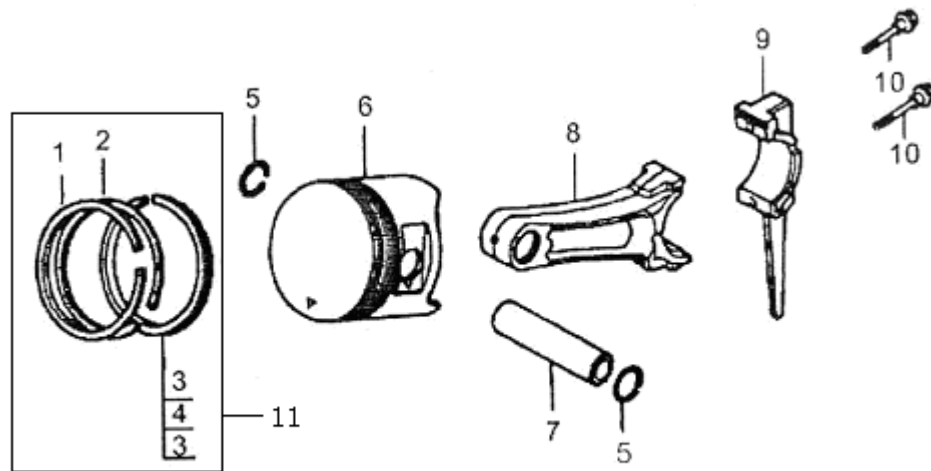


SN	DESCRIPTION	CODE NO.		QTY/UNIT		REMARK
		JF340	JF390	JF340	JF390	
1	CRANK	JF340-D-01		1	1	
2	CRANKSHAFT COMP.	JF340-D-02		1	1	AS REQUEST
3	BALANCE SHAFT	JF340-D-03		1	1	



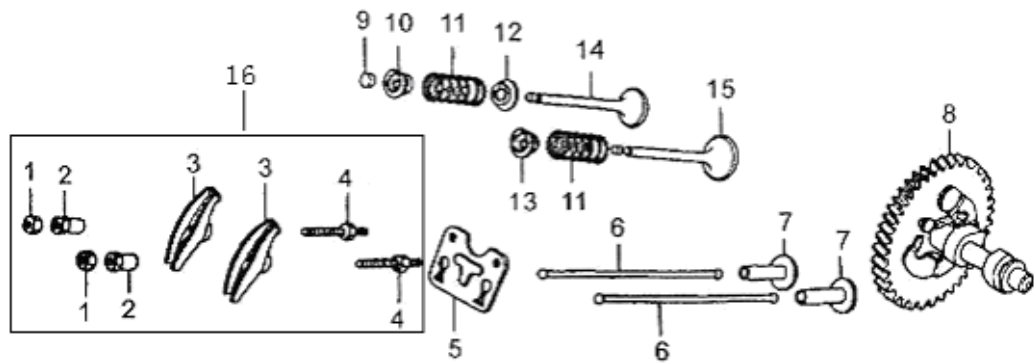
Piston and connecting rod system assy.

5



SN	DESCRIPTION	CODE NO.		QTY/UNIT		REMARK
		JF340	JF390	JF340	JF390	
1	COMPRESSION RING A	JF340-E-01	JF390-E-01	1	1	
2	COMPRESSION RING B	JF340-E-02	JF390-E-02	1	1	
3	OIL RING A	JF340-E-03	JF390-E-03	2	2	
4	OIL RING B	JF340-E-04	JF390-E-04	1	1	
5	PISTON PIN CLIP (20 mm)	JF240-E-05		2	2	
6	PISTON	JF340-E-05	JF390-E-05	1	1	
7	PISTON PIN	JF340-E-06	JF390-E-06	1	1	
8	CONNECTING ROD	JF340-E-07		1	1	
9	CONNECTING COVER	JF340-E-08		1	1	
10	CONNECTING ROD BOLT	JF340-E-09		2	2	
11	PISTON RING SET	JF340-E-10	JF390-E-10	1	1	

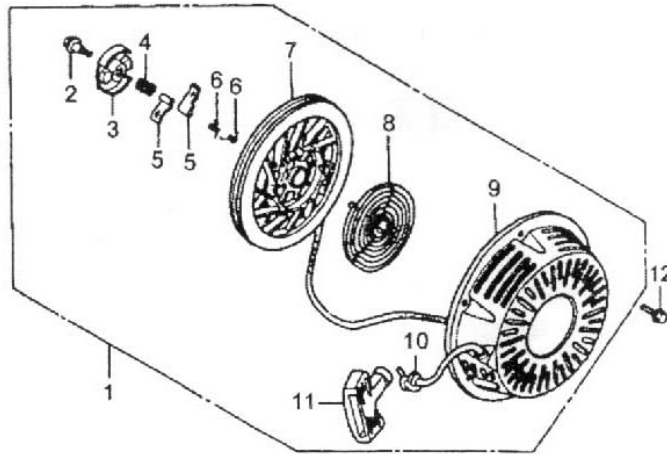
Camshaft system assy.



SN	DESCRIPTION	CODE NO.		QTY/UNIT		REMARK
		JF340	JF390	JF340	JF390	
1	LOCKNUT	JF340-F-01		2	2	
2	ADJUSTING NUT	JF340-F-02		2	2	
3	ROCKER ARM	JF340-F-03		2	2	
4	ROCKER BOLT (8 mm)	JF340-F-04		2	2	
5	PUSH ROD GUIDE PLATE	JF340-F-05		1	1	
6	ROD PUSH	JF240-F-06		2	2	
7	CAM FOLLOWER	JF240-F-07		2	2	
8	CAMSHAFT	JF270-F-08	JF390-F-08	1	1	
9	EX. VALVE HELMET	JF340-F-06		1	1	
10	EX. VALVE SPRING RETAINER	JF340-F-07		1	1	
11	VALVE SPRING	JF340-F-08		2	2	
12	VALVE SPRING SEAT	JF340-F-09		2	2	
13	IN. VALVE SPRING RETAINER	JF340-F-10		1	1	
14	EX. VALVE	JF340-F-11		1	1	
15	IN. VALVE	JF340-F-12		1	1	
16	ROCKER ASSY.	JF340-F-13		1	1	ASSEMBLY

Recoil starter system assy.

7



SN	DESCRIPTION	CODE NO.		QTY/UNIT		REMARK
		JF340	JF390	JF340	JF390	
1	RECOIL STARTER ASSY.	JF340-G-01		1	1	ASSEMBLY
2	CENTER SCREW	JF340-G-02		1	1	
3	SPRING RETAINER	JF340-G-03		1	1	
4	FRICTION SPRING	JF340-G-04		1	1	
5	STARTER RATCHET	JF340-G-05		2	2	
6	RATCHET SPRING	JF340-G-06		2	2	
7	RECOIL STARTER REEL	JF340-G-07		1	1	
8	START RETURN SPRING	JF340-G-08		1	1	
9	RECOIL STARTER CASE COMP.	JF340-G-09		1	1	
10	RECOIL STARTER ROPE	JF340-G-10		1	1	
11	STARTER GRIP	JF340-G-11		1	1	
12	FLANGE BOLT (M6×8)	JF340-G-12		3	3	

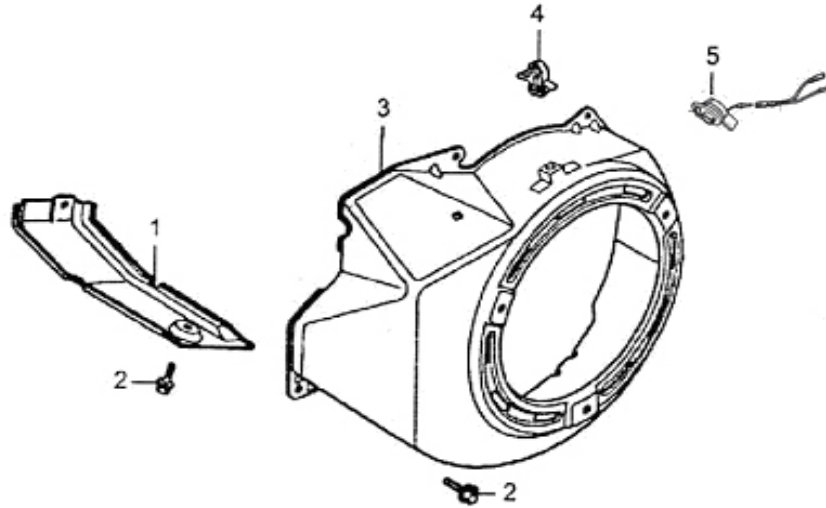
[Texte]

JF340

[Texte]

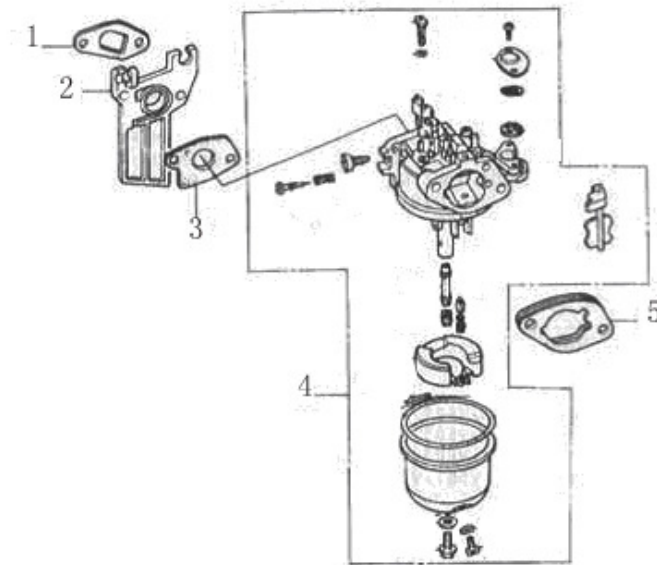
Fan cover system assy.

8



SN	DESCRIPTION	CODE NO.		QTY/UNIT		REMARK
		JF340	JF390	JF340	JF390	
1	SHROUD	JF340-H-01		1	1	
2	FLANGE BOLT (M6×14)	JF340-H-02		6	6	
3	FAN COVER COMP.	JF340-H-03		1	1	
4	CORD CLAMPER	JF340-H-04		1	1	
5	ENGINE STOP SWITCH ASSY.	JF340-H-05		1	1	

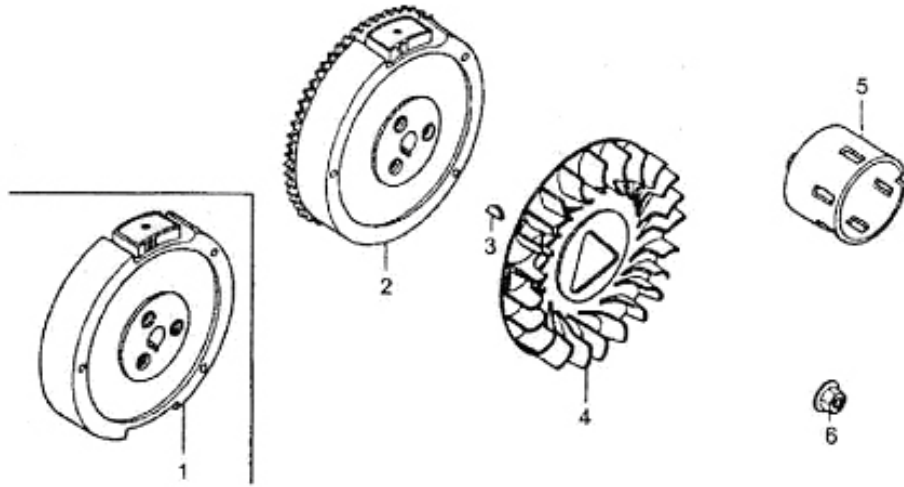
Carburetor system assy.



SN	DESCRIPTION	CODE NO.		QTY/UNIT		REMARK
		JF340	JF390	JF340	JF390	
1	INTAKE PIPE GASKET	JF340-I-01		1	1	
2	CARBURETOR INSULATING PLATE	JF340-I-02		1	1	
3	CARBURETOR PAPER GASKET	JF340-I-03		1	1	
4	CARBURETOR ASSY.	JF340-I-04A	JF390-I-04A	1	1	ASSEMBLY
5	CARBURETOR IRON GASKET	JF340-I-05		1	1	

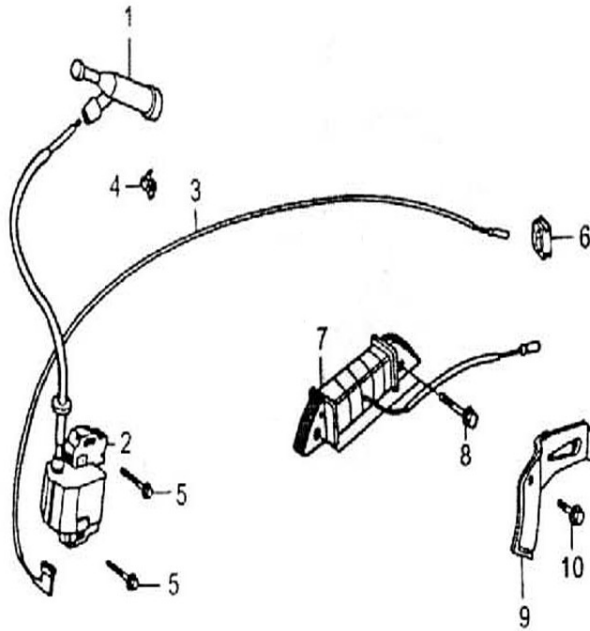
Flywheel system Assy.

10



SN	DESCRIPTION	CODE NO.		QTY/UNIT		REMARK
		JF340	JF390	JF340	JF390	
1	FLYWHEEL	JF340-J-01A		1	1	
2	FLYWHEEL	JF340-J-01B		1	1	FOR ELECTRIC START
3	SPECIAL WOODRUFF KEY	JF340-J-02		1	1	
4	COOLING FAN	JF340-J-03		1	1	
5	STARTER PULLEY	JF340-J-04		1	1	
6	FLYWHEEL NUT (M16)	JF340-J-05		1	1	

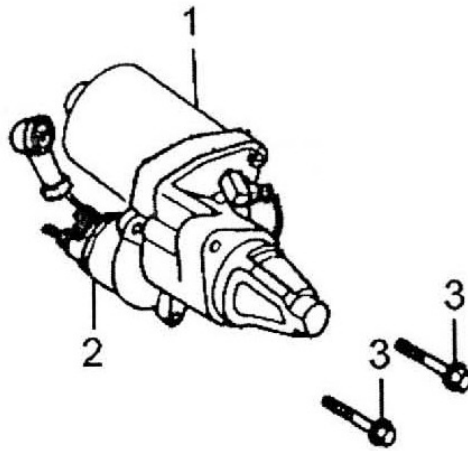
Ignition System Assy.



SN	DESCRIPTION	CODE NO.		QTY/UNIT		REMARK
		JF340	JF390	JF340	JF390	
1	PLENUM CAP	JF340-K-01		1	1	
2	IGNITION COIL ASSY.	JF340-K-02		1	1	
3	STOP SWITCH CORD	JF340-K-03		1	1	
4	STOP SWITCH CORD HOLDER	JF340-K-04		1	1	
5	FLANGE BOLT (M6×25)	JF340-K-05		2	2	
6	CORD GROMMET	JF340-K-06		1	1	
7	CHARGE COIL ASSY.	JF340-K-07		1	1	FOR ELECTRIC START
8	FLANGE BOLT (M6×40)	JF340-K-08		2	2	
9	CORD CLAMPER	JF340-K-09		1	1	
10	FLANGE BOLT (M6×20)	JF340-K-10		1	1	

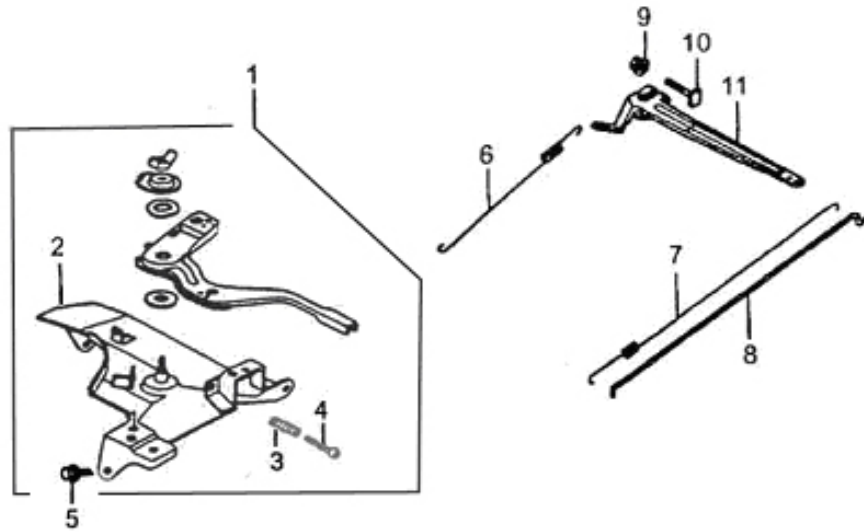
Starter motor System assy.

12

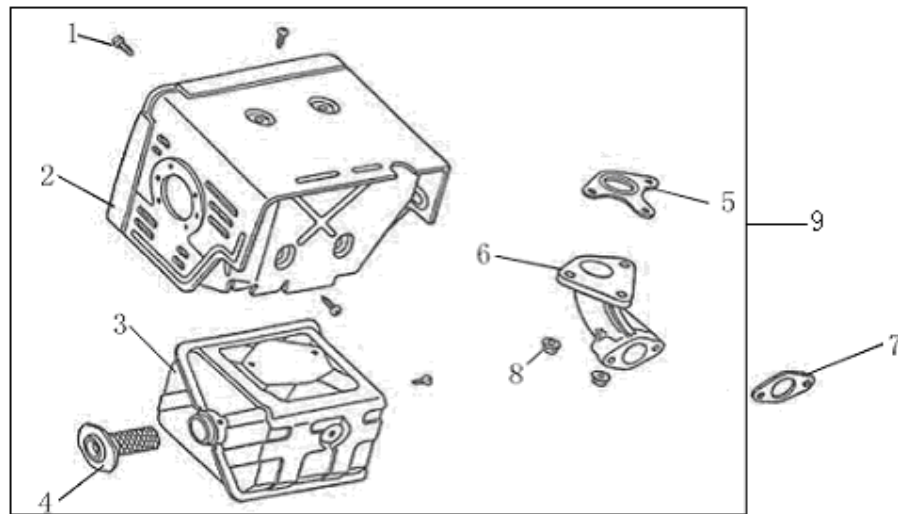


SN	DESCRIPTION	CODE NO.		QTY/UNIT		REMARK
		JF340	JF390	JF340	JF390	
1	UNIT STARTER MOTOR	JF340-L-01		1	1	FOR ELECTRIC START
2	CONTACTOR ASSY.	JF340-L-02		1	1	
3	FLANGE BOLT (M8×35)	JF340-L-03		2	2	

Control System Assy.



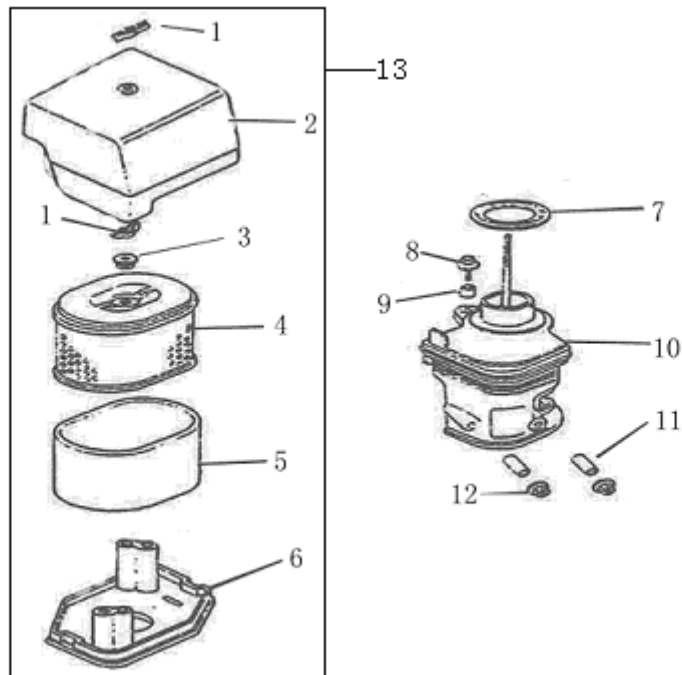
SN	DESCRIPTION	CODE NO.		QTY/UNIT		REMARK
		JF340	JF390	JF340	JF390	
1	CONTROL ASSY.	JF340-M-01A		1	1	
2	CONTROL BASE COMP.	JF340-M-02A		1	1	
3	CONTROL ADJUSTING SPRING	JF340-M-03		1	1	
4	CROSS POND SCREW (M5×34)	JF340-M-04		1	1	
5	FLANGE BOLT (M6×14)	JF340-M-05		1	1	
6	GOVERNOR SPRING	JF340-M-06		1	1	
7	THROTTLE RETURN SPRING	JF340-M-07		1	1	
8	GOVERNOR ROD	JF340-M-08		1	1	
9	FLANGE NUT (M6)	JF340-M-09		1	1	
10	GOVERNOR ARM BOLT (M6)	JF340-M-10		1	1	
11	CONTROL ARM	JF340-M-11		1	1	

Muffler System Assy.

SN	DESCRIPTION	CODE NO.		QTY/UNIT		REMARK
		JF340	JF390	JF340	JF390	
1	TAPPING SCREW (M5×8)	JF340-N-01		4	4	Q235A
2	MUFFLER PROTECTOR COMP.	JF340-N-02		1	1	
3	MUFFLER COMP.	JF340-N-03		1	1	
4	SPARK ARRESTER (SILENT)	JF340-N-04		1	1	
5	EX. PIPE GASKET	JF340-N-05		1	1	
6	EX. PIPE COMP.	JF340-N-06		1	1	
7	MUFFLER GASKET	JF340-N-07		1	1	
8	FLANGE NUT (M8)	JF340-N-08		2	2	
9	MUFFLER ASSY.	JF240-N-09		1	1	ASSEMBLY

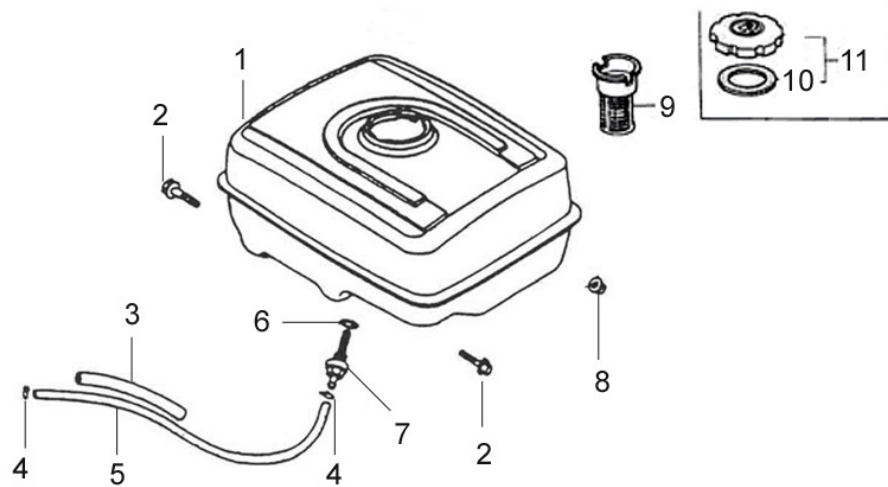
Air cleaner

15



SN	DESCRIPTION	CODE NO.		QTY/UNIT		REMARK
		JF340	JF390	JF340	JF390	
1	AIR CLEANER COVER NUT	JF340-O-01		2	2	
2	AIR CLEANER COVER	JF340-O-02		1	1	
3	AIR CLEANER GROMMER	JF340-O-03		1	1	
4	AIR CLEANER ELEMENT	JF340-O-04		1	1	
5	OUTER FILTER	JF340-O-05		1	1	
6	SILENCER NOSE	JF340-O-06		1	1	
7	ELBOW PACKING	JF340-O-07		1	1	
8	FLANGE BOLT (M6×20)	JF340-O-08		1	1	
9	AIR CLEANER COLLAR	JF340-O-09		1	1	
10	AIR CLEANER ELBOW COMP.	JF340-O-10		1	1	
11	AIR CLEANER COLLAR	JF340-O-11		1	1	
12	FLANGE NUT (M8)	JF340-O-12		2	2	
13	AIR CLEANER ASSY.	JF340-O-13		1	1	ASSEMBLY

Fuel tank system assy.



SN	DESCRIPTION	CODE NO.		QTY/UNIT		REMARK
		JF340	JF390	JF340	JF390	
1	FUEL TANK ASSY.	JF340-P-01		1	1	
2	FLANGE BOLT (M8×25)	JF340-P-02		1	2	
3	SUPPORTER RUBBER	JF340-P-03		1	1	
4	TUBE CLIP	JF340-P-04		2	2	
5	FUEL TUBE	JF340-P-05		1	1	
6	O-RING (14mm)	JF340-P-06		1	1	
7	FUEL TANK JOINT	JF340-P-07		1	1	
8	FLANGE NUT (M6)	JF340-P-08		1	1	
9	FUEL FILTER	JF340-P-09		1	1	
10	FUEL FILLER CAP PACKING	JF168-N-11		1	1	
11	FUEL FILLER CAP COMP.	JF340-P-10		1	1	

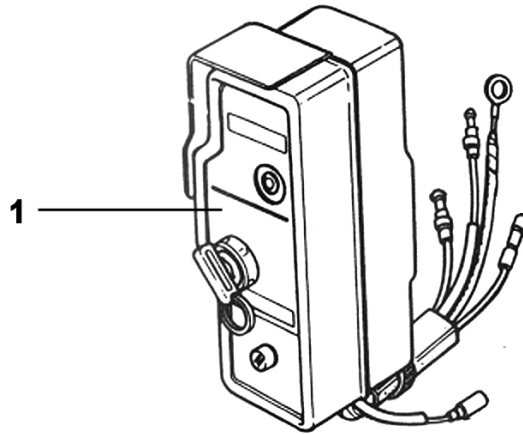
[Texte]

JF340

[Texte]

Control box assy.

17



SN	DESCRIPTION	CODE NO.		QTY/UNIT		REMARK
		JF340	JF390	JF340	JF390	
1	CONTROL BOX ASSY.	JF390-Q-01		1	1	

