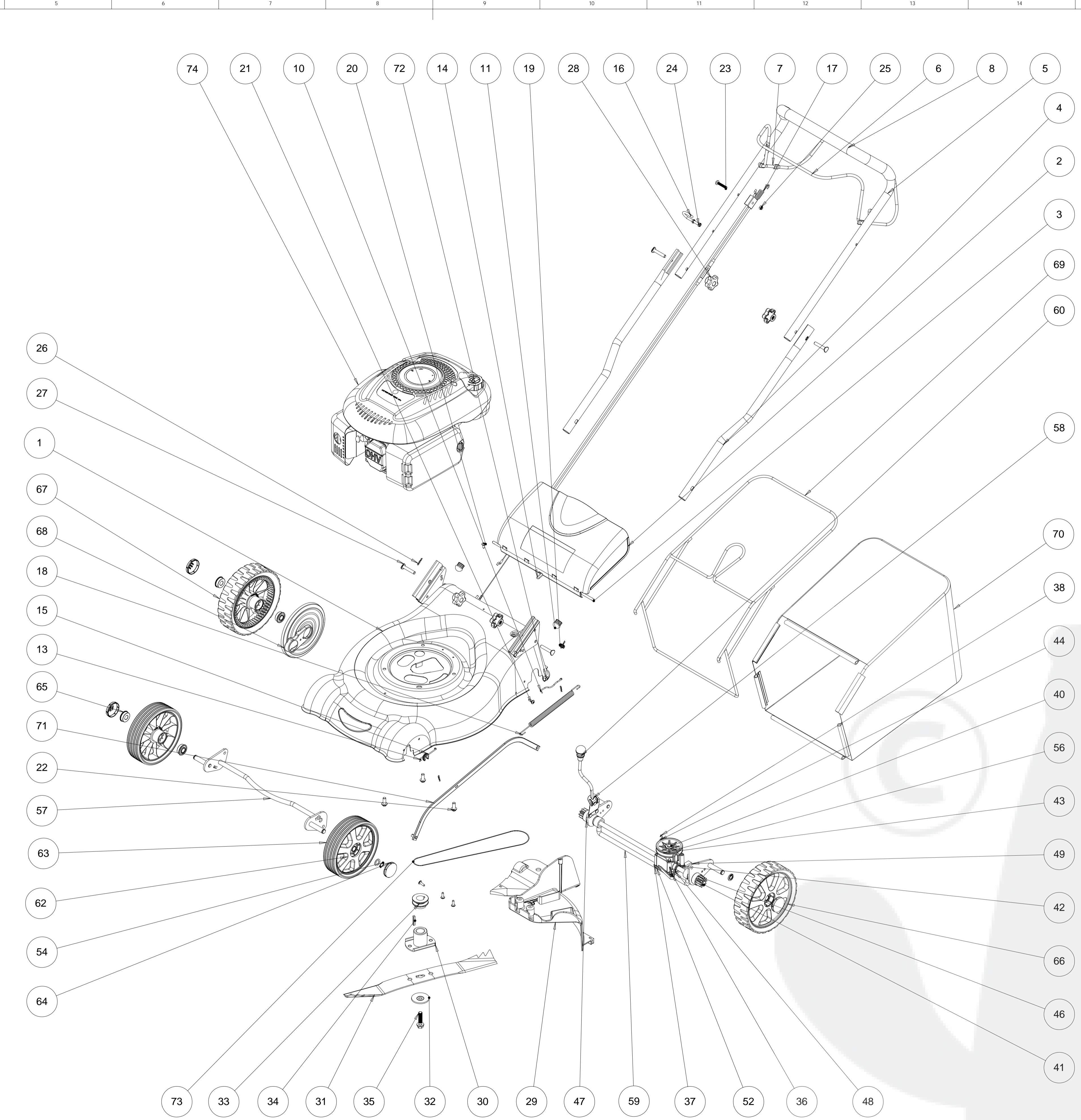




N°	Qty	Référence	Description	Remarque
1	1	GS-LM48S-1	Chassis	
2	1	GS-LM48S-2	Shield	
3	1	GS-LM48S-3	Shield Shaft	
4	2	GS-LM48S-4	Lower Handle	
5	1	GS-LM48S-5	Upper Handle	
6	1	GS-LM48S-6	Stop Switch	
7	1	GS-LM48S-7	Drive Switch	
8	1	GS-LM48S-8	Foam Glove	
9	1	GS-LM48S-9	Spring L	
10	1	GS-LM48S-10	Spring R	
11	2	GS-LM48S-11	Decorate Cover	
12	1	GS-LM48S-12	Spring L	
13	1	GS-LM48S-13	Spring R	
14	1	GS-LM48S-14	Spring for Flap	
15	2	GS-LM48S-15	Space Bush	
16	1	GS-LM48S-16	Rope Guide	
17	1	GS-LM48S-17	Drive&Stop cable	
18	1	GS-LM48S-18	Spring	
19	1	GS-LM48S-19	Spring	
20	1	GS-LM48S-20	Bolt	ST4.8 X 13
21	4	GS-LM48S-21	Bolt	ST4.8 X 16
22	3	GS-LM48S-22	Bolt	M8 X 20
23	1	GS-LM48S-23	Bolt	M6 X 35
24	2	GS-LM48S-24	Nut	M6
25	1	GS-LM48S-25	Nut	M6
26	4	GS-LM48S-26	Pin	
27	4	GS-LM48S-27	Bolt	M8 X 45
28	4	GS-LM48S-28	Nut	
29	1	GS-LM48S-29	Strap Cover	
30	1	GS-LM48S-30	Blade Bracket	
31	1	GS-LM48S-31	Blade	
32	1	GS-LM48S-32	Washer	
33	1	GS-LM48S-33	Belt Wheel	
34	1	GS-LM48S-34	Key	
35	1	GS-LM48S-35	Bolt	3/8-24UNF
36	1	GS-LM48S-36	Gearcase Upper	
37	1	GS-LM48S-37	Gearcase Cover	
38	1	GS-LM48S-38	Spring	
39	1	GS-LM48S-39	Gear	
40	1	GS-LM48S-40	Pinion	
41	1	GS-LM48S-41	Driver Shaft	
42	2	GS-LM48S-42	Bearing	
43	1	GS-LM48S-43	Pulley	
44	1	GS-LM48S-44	Bracket	
45	2	GS-LM48S-45	Groove Pin	
46	1	GS-LM48S-46	GearL	
47	1	GS-LM48S-47	GearR	
48	1	GS-LM48S-48	Washer	
49	1	GS-LM48S-49	Fixed position piece	
50	1	GS-LM48S-50	Bearing	6001LL
51	1	GS-LM48S-51	Pin	4 X 20
52	4	GS-LM48S-52	Bolt	M5 X 10
53	2	GS-LM48S-53	Bolt	M5 X 13
54	8	GS-LM48S-54	Washer	
55	1	GS-LM48S-55	Washer	
56	1	GS-LM48S-56	Pin	4 X 30
57	1	GS-LM48S-57	Front Bracket	
58	4	GS-LM48S-58	Washer	
59	1	GS-LM48S-59	Behind Bracket	
60	1	GS-LM48S-60	Ward Turncap	
61	2	GS-LM48S-61	Bearing	
62	2	GS-LM48S-62	7"Wheel	
63	2	GS-LM48S-63	7" Tire	
64	4	GS-LM48S-64	Wheel cover	
65	8	GS-LM48S-65	Pressing Bearing	
66	2	GS-LM48S-66	8"Wheel	
67	2	GS-LM48S-67	8" Tire	
68	2	GS-LM48S-68	Dust cover	
69	1	GS-LM48S-69	Grass Catcher Casing	
70	1	GS-LM48S-70	Grass Catcher	
71	1	GS-LM48S-71	Connect rod	
72	2	GS-LM48S-72	Bolt	M5 X 10
73	1	GS-LM48S-73	Belt	Z-Li737
74	1	Engine IP61-ASSY	Engine	



1	GS-LM48S-75	Gear case comp.	
---	-------------	-----------------	--

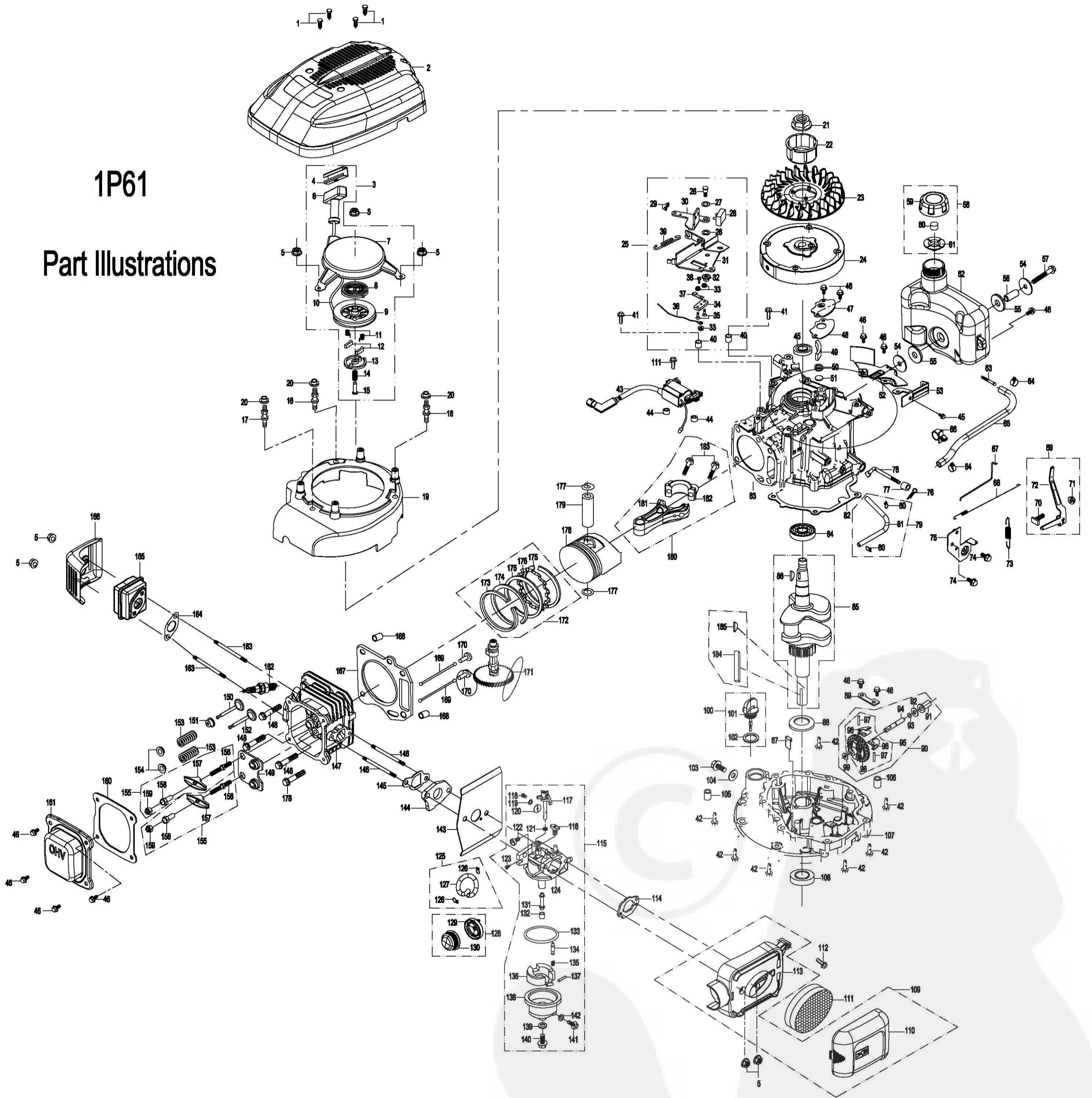


UNLESS OTHERWISE SPECIFIED, DIMENSIONS ARE IN MILLIMETERS SURFACE FINISH: TOLERANCES:		FINISH:	DEBUR AND BREAK SHARP EDGES
DRAWN: 赵延辉	DATE: 2010-06-16		
CHK'D: Andy zhao	DATE: 2010-06-18		
APP'VD:			
MFG: 2010-06-28			
O.A:			
		MATERIAL:	
		WEIGHT:	
NINGHAI GGT MACHINERY CO., LTD.			TITLE:
NINGHAI GGT MACHINERY CO., LTD.			SCALE: 1:20
DWG NO: YH48S			SHEET 1 OF 1

图纸的所有数据及复印件等资料,未经宁海县帕菲特园林工具有限公司的书而许可是禁止拷贝、传播。
 THE INFORMATION CONTAINED IN THIS DRAWING IS THE SOLE PROPERTY OF
 <INSERT COMPANY NAME HERE>. ANY REPRODUCTION IN PART OR AS A
 WHOLE WITHOUT THE WRITTEN PERMISSION OF <INSERT COMPANY NAME HERE> IS PROHIBITED.

1P61

Part Illustrations



MOTEUR PARTS LIST

NO.	PART No.	Description	Qty	Remark
1	GS-LM48S-MOT-1	SELF-TAPPING BOLT, HiLo #12-16 x 1.00"	4	
2	GS-LM48S-MOT-2	OUTER SHROUD (Application Specific)	1	
3	GS-LM48S-MOT-3	RECOIL STARTER ASSEMBLY	1	
4	GS-LM48S-MOT-4	STARTER HANDLE INSERT	1	
5	GS-LM48S-MOT-5	NUT M6 X 10 MM	7	
6	GS-LM48S-MOT-6	STARTER HANDLE	1	
7	GS-LM48S-MOT-7	STARTER HOUSING WELDMENT	1	
8	GS-LM48S-MOT-8	RECOIL SPRING	1	
9	GS-LM48S-MOT-9	STARTER PULLEY	1	
10	GS-LM48S-MOT-10	STARTER ROPE	1	
11	GS-LM48S-MOT-11	STARTER PAWL RETURN SPRING	2	
12	GS-LM48S-MOT-12	STARTER PAWL	2	
13	GS-LM48S-MOT-13	PRESSURE PLATE	1	
14	GS-LM48S-MOT-14	PRESSURE PLATE SPRING	1	
15	GS-LM48S-MOT-15	PRESSURE PLATE BOLT	1	
16	GS-LM48S-MOT-16	STARTER/SHROUD STUD Black/YE Zinc	1	
17	GS-LM48S-MOT-17	STARTER/SHROUD STUD Front/YE Zinc	1	
18	GS-LM48S-MOT-18	STARTER/SHROUD STUD White/YE Zinc	1	
19	GS-LM48S-MOT-19	INNER SHROUD	1	
20	GS-LM48S-MOT-20	ENGINE SHROUD SPACER	3	
21	GS-LM48S-MOT-21	FLYWHEEL NUT M14	1	
22	GS-LM48S-MOT-22	STARTER CUP	1	
23	GS-LM48S-MOT-23	COOLING FAN	1	
24	GS-LM48S-MOT-24	FLYWHEEL	1	
25	GS-LM48S-MOT-25	BRAKE ASSEMBLY	1	
26	GS-LM48S-MOT-26	BRAKE ARM PIVOT	1	
27	GS-LM48S-MOT-27	NYLON WASHER	2	
28	GS-LM48S-MOT-28	BRAKE PAD	1	
29	GS-LM48S-MOT-29	BRAKE PAD NUT	2	
30	GS-LM48S-MOT-30	BRAKE ARM	1	
31	GS-LM48S-MOT-31	BRAKE BRACKET	1	
32	GS-LM48S-MOT-32	BRAKE ARM NUT	1	
33	GS-LM48S-MOT-33	GROUND SWITCH NUTS M4	3	
34	GS-LM48S-MOT-34	INSULATOR BLOCK	1	
35	GS-LM48S-MOT-35	INSULATOR BLOCK SCREW	2	
36	GS-LM48S-MOT-36	GROUNDING WIRE	1	
37	GS-LM48S-MOT-37	GROUND CONTACT	1	
38	GS-LM48S-MOT-38	GROUND CONTACT SCREW	1	
39	GS-LM48S-MOT-39	BRAKE SPRING	1	
40	GS-LM48S-MOT-40	BRAKE SPACER	2	
41	GS-LM48S-MOT-41	BRAKE ASSY BOLT M6x35	2	

NO.	PART No.	Description	Qty	Remark
42	GS-LM48S-MOT-42	COIL/SUMP BOLT M6x28	7	
43	GS-LM48S-MOT-43	IGNITION COIL ASSEMBLY	1	
44	GS-LM48S-MOT-44	IGNITION COIL SPACER	2	
45	GS-LM48S-MOT-45	UPPER CRANKSHAFT SEAL	1	
46	GS-LM48S-MOT-46	BOLT M6×14	12	
47	GS-LM48S-MOT-47	BREATHER COVER PLATE	1	
48	GS-LM48S-MOT-48	BREATHER GASKET	1	
49	GS-LM48S-MOT-49	BREATHER SCREEN	1	
50	GS-LM48S-MOT-50	BREATHER SPRING	1	
51	GS-LM48S-MOT-51	BREATHER VALVE	1	
52	GS-LM48S-MOT-52	FUEL TANK BOTTOM BRACKET	1	
53	GS-LM48S-MOT-53	TANK/LABEL BRACKET	1	
54	GS-LM48S-MOT-54	FUEL TANK WASHER	2	
55	GS-LM48S-MOT-55	RUBBER BUSHING	2	
56	GS-LM48S-MOT-56	FUEL TANK BUSHING	1	
57	GS-LM48S-MOT-57	TANK BOLT M8x50	1	
58	GS-LM48S-MOT-58	FUEL CAP ASSEMBLY	1	
59	GS-LM48S-MOT-59	FUEL CAP	1	
60	GS-LM48S-MOT-60	SPONGE INSERT	1	
61	GS-LM48S-MOT-61	VENT GASKET	1	
62	GS-LM48S-MOT-62	FUEL TANK ASSEMBLY	1	
63	GS-LM48S-MOT-63	FUEL FILTER	1	
64	GS-LM48S-MOT-64	FUEL HOSE CLAMP	2	
65	GS-LM48S-MOT-65	FUEL HOSE	1	
66	GS-LM48S-MOT-66	PLASTIC SUPPORT CLAMP	1	
67	GS-LM48S-MOT-67	THROTTLE LINKAGE	1	
68	GS-LM48S-MOT-68	THROTTLE LINKAGE SPRING	1	
69	GS-LM48S-MOT-69	GOVERNOR ARM ASSEMBLY	1	
70	GS-LM48S-MOT-70	GOVERNOR ARM BOLT	1	
71	GS-LM48S-MOT-71	GOVERNOR ARM NUT M6	1	
72	GS-LM48S-MOT-72	GOVERNOR ARM	1	
73	GS-LM48S-MOT-73	GOVERNOR SPRING	1	
74	GS-LM48S-MOT-74	BOLT M6×12	2	
75	GS-LM48S-MOT-75	COMPONENT BRACKET	1	
76	GS-LM48S-MOT-76	GOVERNOR COTTER PIN	1	
77	GS-LM48S-MOT-77	GOVERNOR SEAL	1	
78	GS-LM48S-MOT-78	GOVERNOR ARM SHAFT	1	
79	GS-LM48S-MOT-79	BREATHER HOSE ASSEMBLY	1	
80	GS-LM48S-MOT-80	BREATHER HOSE CLAMP	2	
81	GS-LM48S-MOT-81	BREATHER HOSE	1	
82	GS-LM48S-MOT-82	CRANKCASE COVER GASKET	1	
83	GS-LM48S-MOT-83	CRANKCASE	1	
84	GS-LM48S-MOT-84	MAIN BEARING	1	

NO.	PART No.	Description	Qty	Remark
85	GS-LM48S-MOT-85	CRANKSHAFT ASSEMBLY	1	
86	GS-LM48S-MOT-86	WOODRUFF KEY	1	
87	GS-LM48S-MOT-87	OIL RETURN SEAL	1	
88	GS-LM48S-MOT-88	CRANKSHAFT THRUST WASHER	1	
89	GS-LM48S-MOT-89	GOVERNOR GEAR MOUNTING PLATE	1	
90	GS-LM48S-MOT-90	GOVERNOR GEAR/SHAFT ASSEMBLY	1	
91	GS-LM48S-MOT-91	GOVERNOR SLIDE CAP	1	
92	GS-LM48S-MOT-92	GOVERNOR SLIDE CAP WASHER	1	
93	GS-LM48S-MOT-93	GOVERNOR SHAFT STOP RING	1	
94	GS-LM48S-MOT-94	GOVERNOR GEAR SHAFT	1	
95	GS-LM48S-MOT-95	GOVERNOR GEAR ASSEMBLY	1	
96	GS-LM48S-MOT-96	GOVERNOR FLY WEIGHT	2	
97	GS-LM48S-MOT-97	GOVERNOR FLY WEIGHT PIN	2	
98	GS-LM48S-MOT-98	GOVERNOR GEAR	1	
99	GS-LM48S-MOT-99	GOVERNOR SLIDE CAP WASHER	1	
100	GS-LM48S-MOT-100	DIPSTICK ASSEMBLY	1	
101	GS-LM48S-MOT-101	DIPSTICK	1	
102	GS-LM48S-MOT-102	DIPSTICK O-RING	1	
103	GS-LM48S-MOT-103	OIL DRAIN PLUG	1	
104	GS-LM48S-MOT-104	OIL DRAIN PLUG WASHER	1	
105	GS-LM48S-MOT-105	CRANKCASE COVER DOWEL 9x14	1	
106	GS-LM48S-MOT-106	CRANKCASE COVER DOWEL 7x14	1	
107	GS-LM48S-MOT-107	CRANKCASE COVER	1	
108	GS-LM48S-MOT-108	LOWER CRANKSHAFT SEAL	1	
109	GS-LM48S-MOT-109	AIR FILTER ASSEMBLY	1	
110	GS-LM48S-MOT-110	AIR FILTER COVER	1	
111	GS-LM48S-MOT-111	AIR FILTER ELEMENT, OVAL	1	
112	GS-LM48S-MOT-112	A/F BASE BOLT M6x30	2	
113	GS-LM48S-MOT-113	AIR FILTER BASE	1	
114	GS-LM48S-MOT-114	CARBURETOR GASKET PLATE	1	
115	GS-LM48S-MOT-115	CARBURETOR ASSEMBLY	1	
116	GS-LM48S-MOT-116	IDLE JET ASSEMBLY	1	
117	GS-LM48S-MOT-117	THROTTLE SHAFT	1	
118	GS-LM48S-MOT-118	THROTTLE PLATE SCREW	1	
119	GS-LM48S-MOT-119	THROTTLE PLATE LOCK WASHER	1	
120	GS-LM48S-MOT-120	THROTTLE PLATE	1	
121	GS-LM48S-MOT-121	THROTTLE SHAFT FIBER O-RING	1	
122	GS-LM48S-MOT-122	IDLE SPEED ADJUSTING SCREW	1	
123	GS-LM48S-MOT-123	IDLE MIXTURE SCREW	1	
124	GS-LM48S-MOT-124	CARBURETOR BODY	1	
125	GS-LM48S-MOT-125	PRIMER HOSE ASSEMBLY	1	
126	GS-LM48S-MOT-126	PRIMER HOSE CLAMP	2	
127	GS-LM48S-MOT-127	PRIMER HOSE	1	

NO.	PART No.	Description	Qty	Remark
128	GS-LM48S-MOT-128	PRIMER ASSEMBLY	1	
129	GS-LM48S-MOT-129	PRIMER BASE	1	
130	GS-LM48S-MOT-130	PRIMER BULB	1	
131	GS-LM48S-MOT-131	EMULSION TUBE	1	
132	GS-LM48S-MOT-132	MAIN JET	1	
133	GS-LM48S-MOT-133	FUEL BOWL O-RING	1	
134	GS-LM48S-MOT-134	NEEDLE VALVE	1	
135	GS-LM48S-MOT-135	NEEDLE VALVE SPRING	1	
136	GS-LM48S-MOT-136	FLOAT	1	
137	GS-LM48S-MOT-137	FLOAT PIN	1	
138	GS-LM48S-MOT-138	FUEL BOWL	1	
139	GS-LM48S-MOT-139	FUEL BOWL GASKET	1	
140	GS-LM48S-MOT-140	FUEL BOWL MOUNTING BOLT	1	
141	GS-LM48S-MOT-141	FUEL DRAIN PLUG	1	
142	GS-LM48S-MOT-142	FUEL DRAIN PLUG GASKET	1	
143	GS-LM48S-MOT-143	CARBURETOR GASKET	1	
144	GS-LM48S-MOT-144	CARBURETOR INSULATOR	1	
145	GS-LM48S-MOT-145	CARBURETOR INSULATOR GASKET	1	
146	GS-LM48S-MOT-146	CARB STUD M6x92	2	
147	GS-LM48S-MOT-147	CYLINDER HEAD	1	
148	GS-LM48S-MOT-148	HEAD BOLT M8x54	4	
149	GS-LM48S-MOT-149	PUSH ROD GUIDE	1	
150	GS-LM48S-MOT-150	INTAKE VALVE	1	
151	GS-LM48S-MOT-151	INTAKE VALVE SEAL	1	
152	GS-LM48S-MOT-152	EXHAUST VALVE	1	
153	GS-LM48S-MOT-153	VALVE SPRING	2	
154	GS-LM48S-MOT-154	VALVE SPRING RETAINER	2	
155	GS-LM48S-MOT-155	ROCKER ARM ASSEMBLY	2	
156	GS-LM48S-MOT-156	ROCKER ARM STUD	2	
157	GS-LM48S-MOT-157	ROCKER ARM	2	
158	GS-LM48S-MOT-158	FULCRUM NUT	2	
159	GS-LM48S-MOT-159	JAM NUT	2	
160	GS-LM48S-MOT-160	VALVE COVER GASKET	1	
161	GS-LM48S-MOT-161	VALVE COVER	1	
162	GS-LM48S-MOT-162	SPARK PLUG/F6RTC	1	
163	GS-LM48S-MOT-163	MUFFLER STUD M6x95	2	
164	GS-LM48S-MOT-164	MUFFLER GASKET	1	
165	GS-LM48S-MOT-165	MUFFLER ASSEMBLY	1	
166	GS-LM48S-MOT-166	MUFFLER SHIELD	1	
167	GS-LM48S-MOT-167	CYLINDER HEAD GASKET	1	
168	GS-LM48S-MOT-168	CYLINDER HEAD DOWEL 10x16	2	
169	GS-LM48S-MOT-169	PUSH ROD	2	
170	GS-LM48S-MOT-170	TAPPET	2	

NO.	PART No.	Description	Qty	Remark
171	GS-LM48S-MOT-171	CAMSHAFT ASSEMBLY	1	
172	GS-LM48S-MOT-172	PISTON RING SET	1	
173	GS-LM48S-MOT-173	UPPER PISTON COMPRESSION RING	1	
174	GS-LM48S-MOT-174	LOWER PISTON COMPRESSION RING	1	
175	GS-LM48S-MOT-175	PISTON OIL RING SEGMENT	2	
176	GS-LM48S-MOT-176	PISTON OIL RING EXPANDER	1	
177	GS-LM48S-MOT-177	PISTON PIN SNAP RING	2	
178	GS-LM48S-MOT-178	PISTON	1	
179	GS-LM48S-MOT-179	PISTON PIN	1	
180	GS-LM48S-MOT-180	CONNECTING ROD ASSEMBLY	1	
181	GS-LM48S-MOT-181	CONNECTING ROD	1	
182	GS-LM48S-MOT-182	CONNECTING ROD CAP	1	
183	GS-LM48S-MOT-183	CONNECTING ROD BOLT	2	
184	GS-LM48S-MOT-184	KEY	1	
185	GS-LM48S-MOT-185	WOODRUFF KEY	1	

