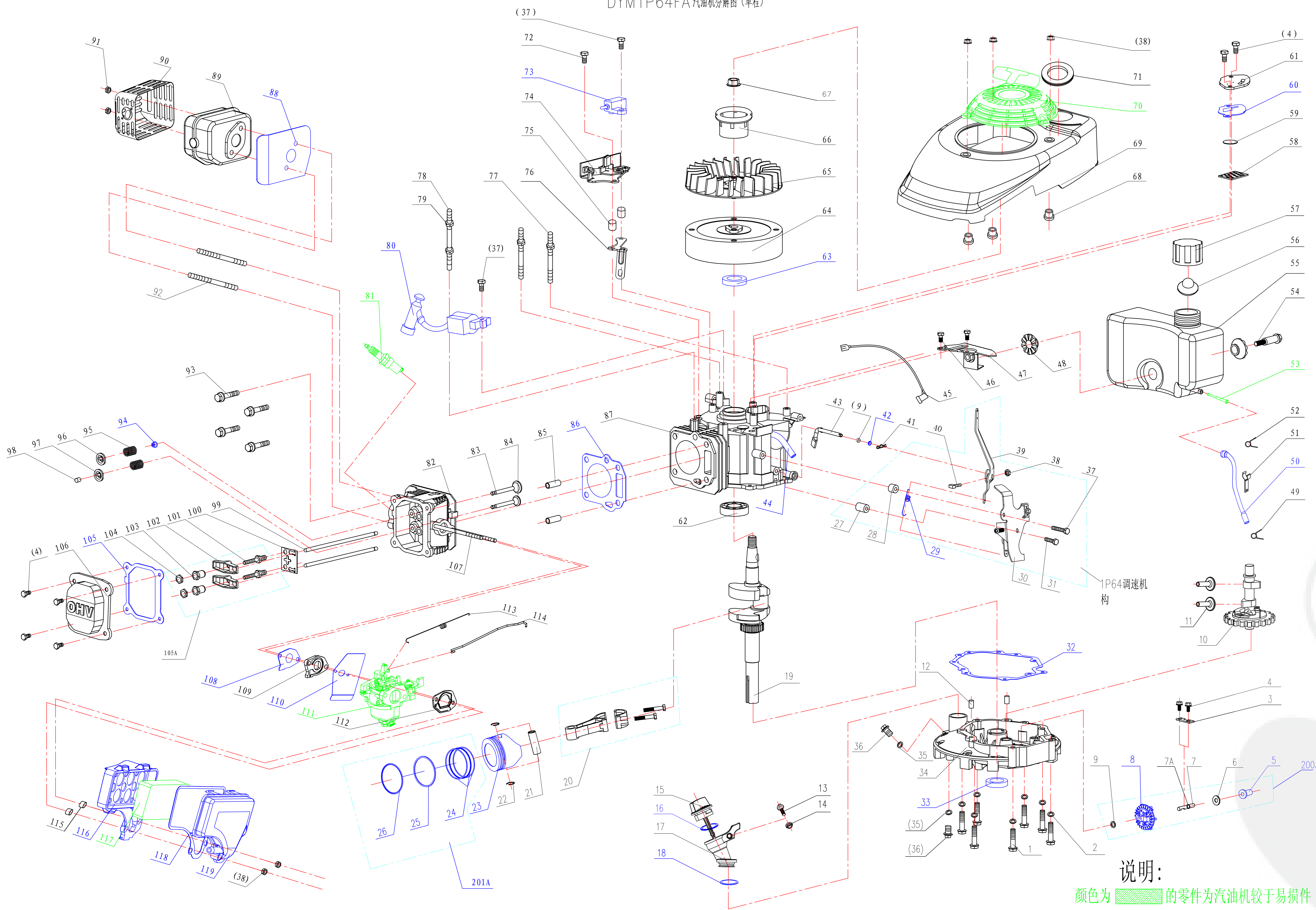


DYM1P64FA 汽油机分解图 (单程)



说明:
 颜色为 的零件为汽油机易于损件
 颜色为 的零件为汽油机一般易损件

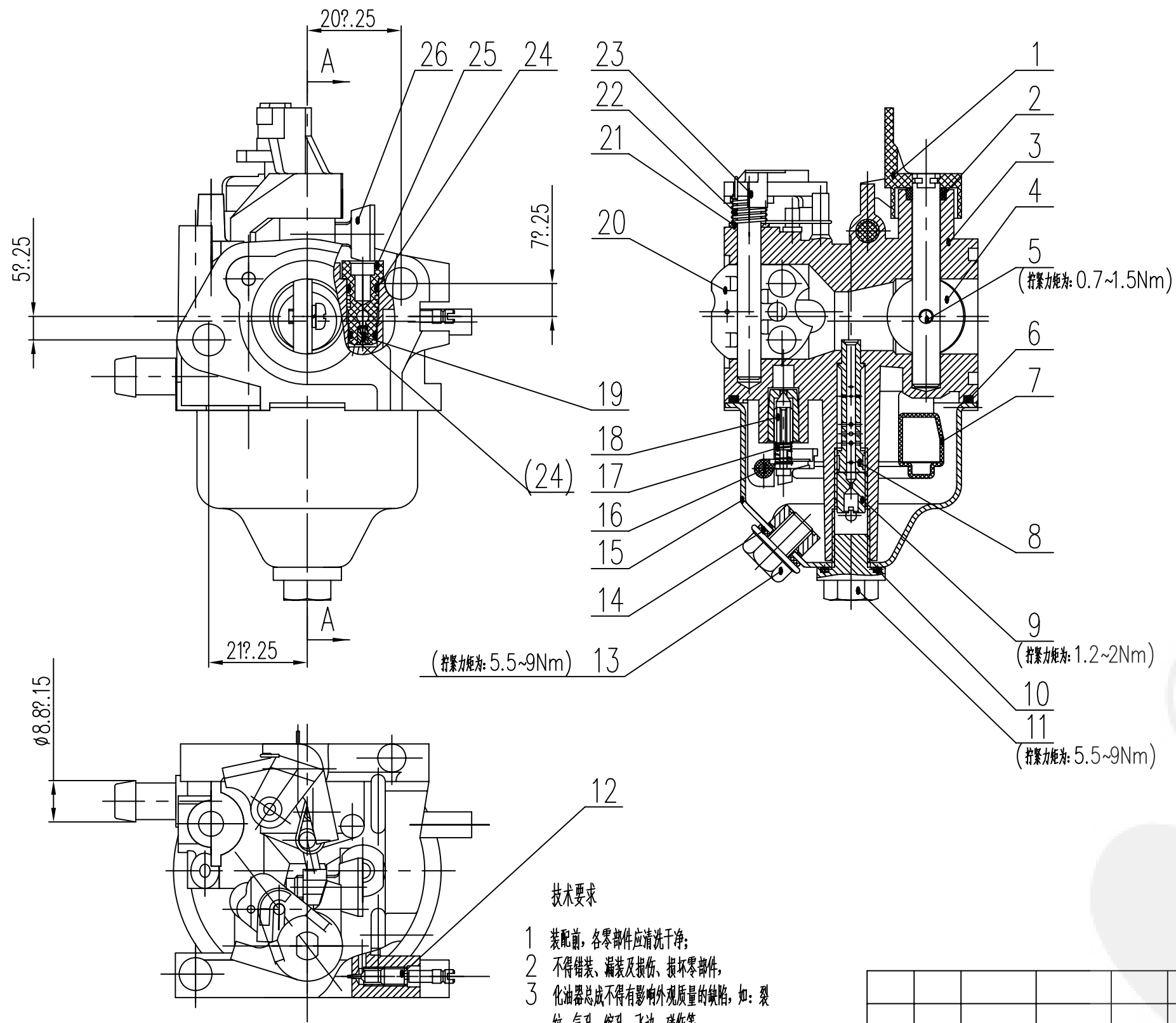
序号	代号	名称	数量	备注
109	Q08.00-3	25100121201	进气门	1
108	Q08.00-4	25100121201	进气门密封垫	1
107	Q09.01-8	26800605501	气门导管	2
106	Q09.01-1	26300207001	气门弹簧	1
105	Q09.01-2	25100123701	气门弹簧垫圈	1
104	Q09.05-9	26800502601	平衡轴衬套	2
103	Q09.05-8	26800502501	平衡轴衬套	2
102	Q09.05-6	26300206201	气门油封	2
101	Q09.05-7	26800605401	气门导管	2
100	Q09.05-10	26300206301	气门导管	1
99	Q09.05-03	23055000501	平衡轴衬套	2
98	Q09.05-20	26400100801	平衡轴	1
97	Q09.05-5A	26900102501	进气门衬套	1
96	Q09.05-5	26900102401	进气门衬套	1
95	Q09.05-4	26801103101	气门衬套	2
94	Q09.05-19	26300207401	气门	1
93	GB5787-86	26800605001	法兰螺栓M5X4.5	4
92	Q08.00-16A	26800605601	螺母 M6X9.2	2
91	GB/T6187.1	26800502401	法兰螺母M6X16	2
90	Q08.10-02A	23060000801	进气门衬套	1
89	Q08.10-01A	23060000901	进气门衬套	1
88	Q08.00-6	25600103101	气门衬套	1
87	Q09.02-01	23052001001	气门衬套	1
86	Q09.00-7	25600100201	气门衬套	1
85	Q08.00-10	26800901501	气门衬套	2
84	Q09.05-2	26300206101	气门	1
83	Q09.05-1	26300206001	气门	1
82	Q09.01-3	26400100401	气门	1
81	Q08.12-03	23062003001	气门 F6RTC	1
80	Q08.12-01	23062002001	气门衬套	1
79	GB/T6187.1	26800502201	法兰螺母M6	4
78	Q08.00-14	26800603801	气门衬套	1
77	Q08.00-16	26800603901	气门衬套	2
76	Q08.00-17	26300211802	气门衬套	1
75	Q08.00-13A	26800203001	气门	2
74	Q08.08-01	23058000601	气门衬套	1
73	Q08.12-04	23058000202	气门衬套	1
72	26800608301	26800608301	法兰螺母M6X20	1
71	251001263A	25100126301	法兰螺母M6X20	1
70	Q08.13-02A	23062000501	气门衬套	1
69	Q08.13-1A	25100117303	气门衬套	1
68	Q08.13-2	26900103601	气门衬套	3
67	GB/T6187.2	26800502701	螺母M14X1.5	1
66	Q08.13-2A	26900103701	螺母	1
65	Q08.11-1	25100121901	气门	1
64	Q08.11-02B	23061000301	气门衬套	1
63	GB9877-1	25100123402	螺母FB22X35X7	1
62	GB276	26800400201	螺母M6.205 正六角	1
61	Q08.02-6A	23052000501	气门衬套	1
60	Q08.02-3A	25100123901	气门衬套	1
59	Q08.02-2	25100112601	气门衬套	1
58	Q08.02-4	26900102001	气门	1
57	Q08.14-2	25100122702	气门	1
56	Q08.14-3	25100124501	气门衬套	1
55	Q08.14-1	25100120901	气门	1
54	Q08.14-5	26800605301	气门衬套	1
53	Q08.14-02	25100128902	气门衬套	1
52	Q08.06-3	26900102601	气门	1
51	26300206401	26300206401	气门	1
50	Q08.06-1	25100124001	气门	1
49	Q08.06-4	26900102701	气门衬套	1
48	Q08.00-8	25100123101	气门	2
47	Q08.14-03A	23063000301	气门	1
46	GB5789-86	26800608001	法兰螺母M6X16	2
45	Q08.12-05A	23058000402	气门衬套	1
44	Q08.00-5	25100123001	气门	1
43	Q08.07-3	26900103001	气门	1
42	GB9877-1	25100123501	螺母FB6X11X4	1
41	Q08.07-23	26900103401	气门衬套	1
40	Q08.07-25	26800301101	气门	1
39	Q08.07-18	23057000901	气门	1
38	GB/T6177.1	26800501901	法兰螺母M6	6
37	GB5789-86	26800607801	法兰螺母M6X25	3
36	Q08.02-8	26300205601	气门	2
35	Q08.02-9	26300205701	气门	2
34	Q09.02-03	26400101802	气门	1
33	GB9877-1	25100126202	螺母FB25X38X7	1
32	Q08.02-1	25600100401	气门	1
31	GB5789-86	26800608701	法兰螺母M6X32	1
30	Q08.07-06	23057000802	气门	1
29	Q08.07-4	26801102601	气门	1
28	26800103301	26900103301	螺母	1
27	26900103201	26900103201	螺母	1
26	Q09.04-2	26300205801	气门	1
25	Q09.04-3	26300205901	气门	1
24	Q09.04-02	26300206901	气门	1
23	Q09.04-1	26400100601	气门	1
22	Q08.04-4	26900102101	气门	2
21	Q08.04-5	26900102201	气门	2
20	Q08.04-01	23054000301	气门	1
19	Q08.03-00	23053000101	气门	1
18	GB3542.1-92	25100123202	O型圈20X2.4	1
17	Q08.00-2B	25100121102	气门	1
16	GB3542.1-92	25100123302	O型圈25X3.1	1
15	Q08.00-1B	25100121002	气门	1
14	GB/T41-2000	26800503501	六角螺母M5	1
13	GB5789-86	26800608801	法兰螺母M5X20	1
12	Q08.00-10A	26800601601	气门	2
11	Q09.05-3	26900102301	气门	2
10	Q08.05-01A	23055000401	气门衬套	1
9	GB484	26800702101	平垫圈 φ6 厚0.8	2
8	Q08.07-14	23057001301	气门衬套	1
7A	26800900701	26800900701	螺母M6	1
7	Q08.07-17	26900104402	气门	1
6	26800703201	26800703201	螺母M6X6x15x0.5	1
5	Q08.07-16	25100121601	气门	1
4	GB5789-86	26800604101	法兰螺母 M6X12	8
3	Q08.00-11	26300201002	气门	1
2	GB955-87	26800702501	螺母 φ6	7
1	GB5789-86	26800607601	法兰螺母 M6X30	7

1P64FA gasoline Part List

Item	P/N	english	Qty.
1	GN-1P64FA-1	bolt M6*30	7
2	GN-1P64FA-2	wave washer $\varnothing 6$	7
3	GN-1P64FA-3	dualhole press plate	1
4	GN-1P64FA-4	bolt M6*12	8
5	GN-1P64FA-5	slide sheath	1
6	GN-1P64FA-6	flat washer $6\varnothing 6*\varnothing 15*0.5$	1
7	GN-1P64FA-7	speed adjustment gear shaft	1
7A	GN-1P64FA-7A	shaft steelwire block ring	1
8	GN-1P64FA-8	speed adjustment gear assey	1
9	GN-1P64FA-9	flat washer $\varnothing 6$ thickness 0.8	2
10	GN-1P64FA-10	nylon protuberant shaft assey	1
11	GN-1P64FA-11	column	2
12	GN-1P64FA-12	position fixed pin	2
13	GN-1P64FA-13	boltM5*20	1
14	GN-1P64FA-14	NutM5	1
15	GN-1P64FA-15	oil adding gauge	1
16	GN-1P64FA-16	oil sealing ring 25*3.1	1
17	GN-1P64FA-17	oil adding pipe	1
18	GN-1P64FA-18	oil sealing ring 20*2.4	1
19	GN-1P64FA-19	crank assey	1
20	GN-1P64FA-20	link rod assey	1
21	GN-1P64FA-21	piston pin	1
22	GN-1P64FA-22	piston pin clip spring	2
23	GN-1P64FA-23	piston (IP64)	1
24	GN-1P64FA-24	combination oil ring (IP64)	1
25	GN-1P64FA-25	piston ring2(IP64)	1
26	GN-1P64FA-26	piston ring 1(IP64)	1
27	GN-1P64FA-27	sheath 1	1
28	GN-1P64FA-28	sheath 2	1
29	GN-1P64FA-29	adjustment spring	1
30	GN-1P64FA-30	speed adjustment assey	1
31	GN-1P64FA-31	flange bolt M6*32	1
32	GN-1P64FA-32	combination box sealing washer	1
33	GN-1P64FA-33	oil sealing FB25*38*7	1
34	GN-1P64FA-34	cylinder head cover(IP64)	1
35	GN-1P64FA-35	oil discharge nut washer	2
36	GN-1P64FA-36	oil discharge nut	2
37	GN-1P64FA-37	flange bolt M6*25	3
38	GN-1P64FA-38	flange nut M6	6
39	GN-1P64FA-39	speed adjustment rocker	1
40	GN-1P64FA-40	speed adjustment screw	1
41	GN-1P64FA-41	spring open pin	1
42	GN-1P64FA-42	oil sealingFB6*11*4	1
43	GN-1P64FA-43	adjustment rod	1

44	GN-1P64FA-44	aerating pipe	1
45	GN-1P64FA-45	frameout assey	1
46	GN-1P64FA-46	bolt M6*16	2
47	GN-1P64FA-47	gasoline tank bracket	1
48	GN-1P64FA-48	damping washer	2
49	GN-1P64FA-49	oil pipe clip B	1
50	GN-1P64FA-50	oil innet pipe	1
51	GN-1P64FA-51	oil pipe clip	1
52	GN-1P64FA-52	oil pipe clip A	1
53	GN-1P64FA-53	oilburing filter net	1
54	GN-1P64FA-54	gasoline tank bolt	1
55	GN-1P64FA-55	gasoline tank	2
56	GN-1P64FA-56	tank cover sealing washer	1
57	GN-1P64FA-57	tank cover	2
58	GN-1P64FA-58	filter net	1
59	GN-1P64FA-59	breathing vavle plate	1
60	GN-1P64FA-60	breathing sealing washer	1
61	GN-1P64FA-61	breathing cover assey	1
62	GN-1P64FA-62	rolling bearing 6205 E grade	1
63	GN-1P64FA-63	oil sealing FB22*35*7	1
64	GN-1P64FA-64	cast iron flying wheel assey	1
65	GN-1P64FA-65	fan	1
66	GN-1P64FA-66	passive tray	1
67	GN-1P64FA-67	nut M14*1.5	1
68	GN-1P64FA-68	starting shell sheath	3
69	GN-1P64FA-69	starting shell	1
70	GN-1P64FA-70	starter assey	1
71	GN-1P64FA-71	starting shell sealing washer	1
72	GN-1P64FA-72	flange bolt M6*20	1
73	GN-1P64FA-73	frameout switch assey	1
74	GN-1P64FA-74	arrester assey	1
75	GN-1P64FA-75	washer sheath	2
76	GN-1P64FA-76	oil adding bracket	1
77	GN-1P64FA-77	dual head boltB	2
78	GN-1P64FA-78	dual head boltA	1
79	GN-1P64FA-79	screw	4
80	GN-1P64FA-80	ignation assey	1
81	GN-1P64FA-81	spark F6RTC	1
82	GN-1P64FA-82	cylinder head	1
83	GN-1P64FA-83	air inlet	1
84	GN-1P64FA-84	air outlet	1
85	GN-1P64FA-85	pision fixed pin	2
86	GN-1P64FA-86	cylinder head sealing washer(IP64)	1
87	GN-1P64FA-87	cylinder(IP64)	4
88	GN-1P64FA-88	muffler sealing washer	1
89	GN-1P64FA-89	muffler sheath assey	1
90	GN-1P64FA-90	air discharge and muffler assey	1

91	GN-1P64FA-91	flange self-locking nut M6	2
92	GN-1P64FA-92	nut screwM6*92	2
93	GN-1P64FA-93	flange nut M8*45	4
94	GN-1P64FA-94	oil block sheath	1
95	GN-1P64FA-95	valve spring	2
96	GN-1P64FA-96	airinnet spring seat	1
97	GN-1P64FA-97	airoutlet spring seat	1
98	GN-1P64FA-98	top cat	1
99	GN-1P64FA-99	pushing rod assey	2
100	GN-1P64FA-100	pushing rod guidebar	1
101	GN-1P64FA-101	adjustment bolt	2
102	GN-1P64FA-102	valve spring rocker	2
103	GN-1P64FA-103	adjustment nut	2
104	GN-1P64FA-104	closing nut	2
105	GN-1P64FA-105	cylinder head cover sealing washer	1
106	GN-1P64FA-106	cylinder cover	1
107	GN-1P64FA-107	carburetor bolt	2
108	GN-1P64FA-108	cylinder head and air innet pipe sea	1
109	GN-1P64FA-109	air innet pipe	1
110	GN-1P64FA-110	airinnet pipe and carburetor sealing	1
111	GN-1P64FA-111	carburetor assey(IP64)	1
112	GN-1P64FA-112	empty filer sealing washer	1
113	GN-1P64FA-113	accelerograph spring	1
114	GN-1P64FA-114	valve rod	1
115	GN-1P64FA-115	empty filter sheath	2
116	GN-1P64FA-116	empty filter base	1
117	GN-1P64FA-117	empty filter core	1
118	GN-1P64FA-118	empty filer cover sealing washer	1
119	GN-1P64FA-119	upper cover for empty filer cover	1
200A	GN-1P64FA-200A	speed adjustment gear assey	1
201A	GN-1P64FA-201A	piston ring combination	1



26	H127-2A-M-0004	节气门开度调节螺钉	1	
25	H139-3001	怠速量孔本体	1	
24	H139-3003	O型密封圈	2	
23	H128A-0001	阻风门轴	1	
22	H128A-0002	阻风门扭簧	1	
21	H101-00044	垫圈	1	
20	H127-3A-M-0002	阻风门	1	
19	H128-3-0004	怠速量孔	1	
18	H128-2000	针阀总成	1	
17	H128-0011	针阀弹簧	1	
16	H112-1017	浮子轴	1	
15	H128-4000	浮子室总成	1	
14	H201A-1018	纸垫圈	1	
13	H150-0006	六角法兰面螺栓	1	
12	H128-0012D	怠速调节针阀	1	
11	H137-0004	浮子室连接螺钉	1	
10	H137-0005	O型密封圈	1	
9	H127-3A-M-0001	主量孔	1	
8	H114-2-0002	主喷管	1	
7	H128-0013	浮子	1	
6	H128-0003	大密封圈	1	
5	GB9074.3-88	螺钉组合件M3X6	1	
4	H128-3-0003	节气门	1	
3	H127-3A-1000	本体部装	1	
2	H128-0010	毛毡垫	1	
1	H128A-2000	节气门轴部件	1	
序号	代 号	名 称	数量	备注

技术要求

- 1 装配前,各零部件应清洗干净;
- 2 不得错装、漏装及损伤,损坏零部件;
- 3 化油器总成不得有影响外观质量的缺陷,如:裂纹、气孔、缩孔、飞边、碰伤等;
- 4 化油器各紧固连接件应牢固可靠,不得松动脱落;
- 5 各活动部件应转动灵活,不得有卡滞现象;
- 6 针阀应密封不得泄漏,各紧固连接处不得渗漏油。
- 7 100%油面试验;
- 8 100%综合流量试验;
- 9 100%吊油试验。

标记	处数	分区	更改文件号	签名	年月日
设计	程志敏		标准化		
校对					
审核					
工艺			批准		

阶段标记	重量	比例	化油器总成
S		1:1	
共 1张	第 1张		

修改
校对
审核
工艺
标准
设计
校对
审核
工艺
标准
批准

No.		English
1		part of throttle plate pin
2		felt washer
3		noumenon part
4		throttle plate
5		screw assy
6	RVL380840455-0001	big seal ring
7		bobber
8		main spray pipe
9		main hole
10	RVL380450539-0001	O type seal ring
11	RVL380140353-0001	connection screw
12		adjusting vavle
13		bolt
14	RVL380450577-0001	paper washer
15	RVL170250021-0001	bobber room assy
16		bobber shaft
17		vavle spring
18		vavle assy
19		iding hole
20		choke
21		washer
22		choke spring
23		choke shaft
24		O type seal ring
25		iding hole noumenon
26		throttle adjusting screw

