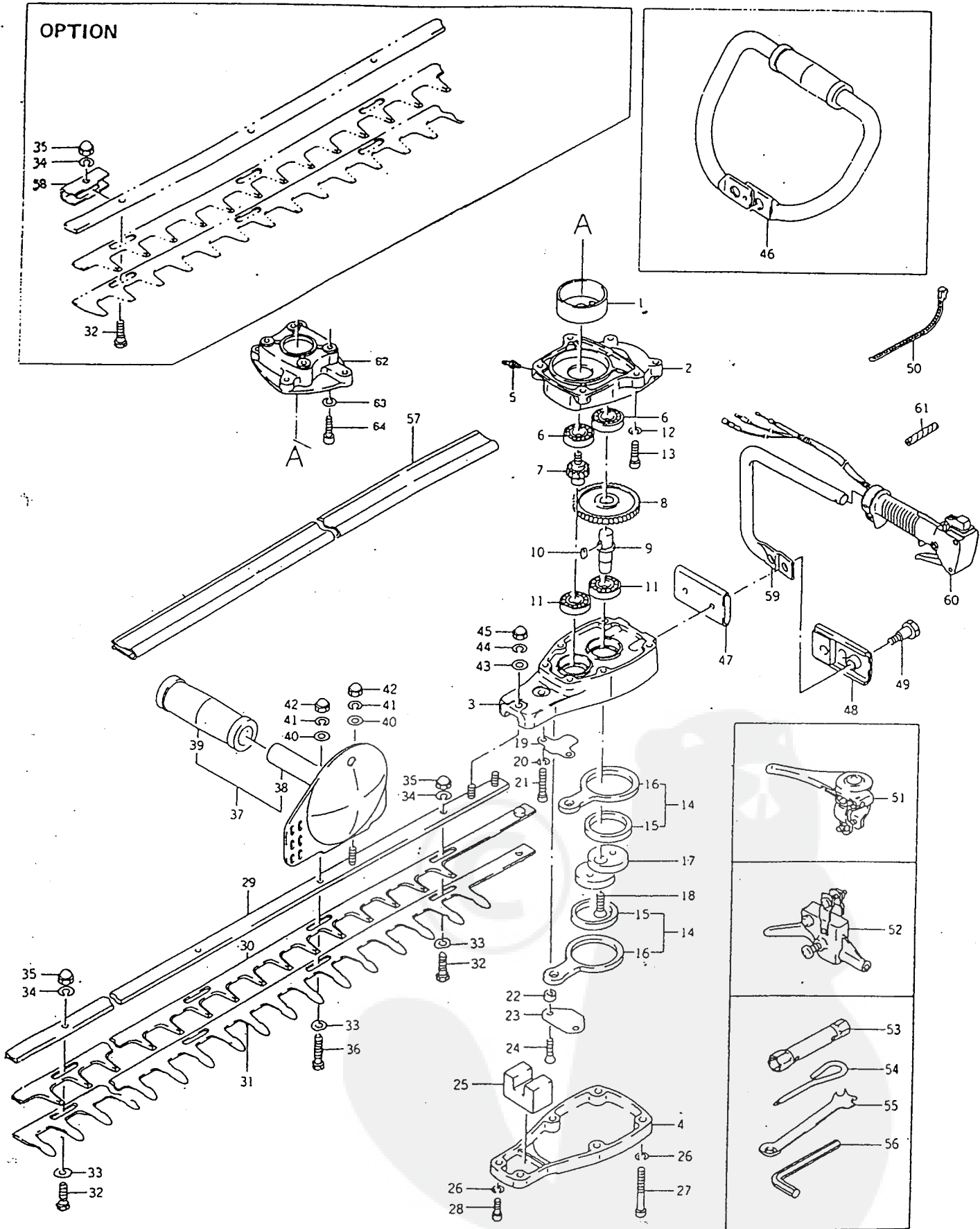


HEDGE TRIMMER HT-767, HT-838 Type Exploded View



4117-9512Z

HEDGE TRIMMER Parts List

HT-767 & HT-838

Ref No.	Parts No.	Parts Name	Q'ty	Remarks
	HT - 767			
1	1222 - 1004	CLUTCH DRUM	1	
2	1382 - 1012	GEAR CASE	1	
3	1382 - 1013	CAM CASE	1	
4	1382 - 1014	CAM CASE COVER	1	
5	1103 - 1003	GREASE NIPPLE	1	
6	0305 - 6001	BALL BEARING	2	600100
7	1207 - 1017	PINION GEAR	1	
8	1207 - 1018	GEAR	1	
9	1252 - 1015	GEAR SHAFT	1	
10	1131 - 1003	KEY	1	
11	0302 - 6001	BALL BEARING	2	6001Z
12	0151 - 0500	SORUBG WASHER	4	
13	0015 - 0515	SOCKET BOLT	4	
14	1254 - 1002	CAM ROD ASSY	2	
15	1263 - 1003	NEEDLE ROLLER BEARING	2	
16	1255 - 1002	CAM ROD	2	
17	1217 - 1001	CAM	1	
18	1102 - 1022	CAM SCREW	1	
19	1475 - 1003	GUIDE PLATE UPPER	1	
20	0151 - 0500	SPRING WASHER	2	
21	0015 - 0530	SOCKET BOLT	2	
22	1117 - 1011	DOLLAR	2	
23	1475 - 1004	GUIDE PLATE LOWER	1	
24	0015 - 0530	SCREW	2	
25	1153 - 1005	FELT PACKING	1	
26	0151 - 0500	SPRING WASHER	6	
27	0015 - 0545	SOCKET BOLT	4	
28	0015 - 0515	SOCKET BOLT	2	
29	1474 - 1003	BLADE GUIDE	1	
30	1442 - 1013	BLADE UPPER	1	
31	1442 - 1010	BLADE LOWER	1	
32	1101 - 1009	BLADE BOLT (A)	4	
33	1111 - 1012	BLADE WASHER	5	
34	0151 - 1600	SPRING WASHER	4	
35	1106 - 1008	CAP U NUT	4	
36	1101 - 1012	BLADE BOLT (B)	1	
37	1601 - 1018	RIGHT HANDLE ASSY	1	
38	1602 - 1013	RIGHT HANDLE	1	
39	1604 - 1013	GRIP	1	
40	0152 - 1600	PLAIN WASHER	2	
41	0151 - 0600	SPRING WASHER	2	
42	1106 - 1008	CAP U NUT	2	
43	0152 - 0600	PLAIN WASHER	2	
44	0151 - 0600	SPRING WASHER	2	
45	0106 - 0600	CAP NUT	2	
46	1601 - 1019	LEFT HANDLE	1	N.V Type
47	1551 - 1002	HANDLE JOINT (A)	1	
48	1551 - 1003	HANDLE JOINT (B)	1	
49	1101 - 1013	HANDLE BOLT	2	
50	1644 - 1001	CABLE BAND	1	
51	1611 - 1023	THROTTLE LEVER	1	N Type
52	1611 - 1027	THROTTLE LEVER	1	V Type
53	K92110 - 2093	SOCKET WRENCH	1	
54	K92107 - 2057	SCREW DROVER	1	
55	1991 - 1004	SPANNER	1	
56	1991 - 1005	HEXAGON WRENCH KEY	1	
59	1601 - 1074	LEFT HANDLE	1	D Type
60	1611 - 1071	THROTTLE LEVER	1	D Type

Ref No.	Parts No.	Parts Name	Q'ty	Remarks
61	1644 - 1013	COIL TUBE	1	D Type
57	1491 - 1001	BALDE COVER	1	
62	1368 - 1001	ENGINE BASE	1	
63	0151 - 0500	SPRING WASHER	4	
64	0015 - 0520	SOCKET BOLT	4	
	HT - 838			
29	1474 - 1005	BLADE GUIDE	1	
30	1442 - 1005	BLADE UPPER	1	
31	1442 - 1006	BLADE LOWER	1	
32	1101 - 1009	BLADE BOLT (A)	5	
33	1111 - 1012	BLADE WASHER	6	
34	0151 - 0600	SPRING WASHER	5	
35	1106 - 1008	CAP U NUT	5	
	OPTION			
58	1472 - 1012	BLADE HOLDER	1	