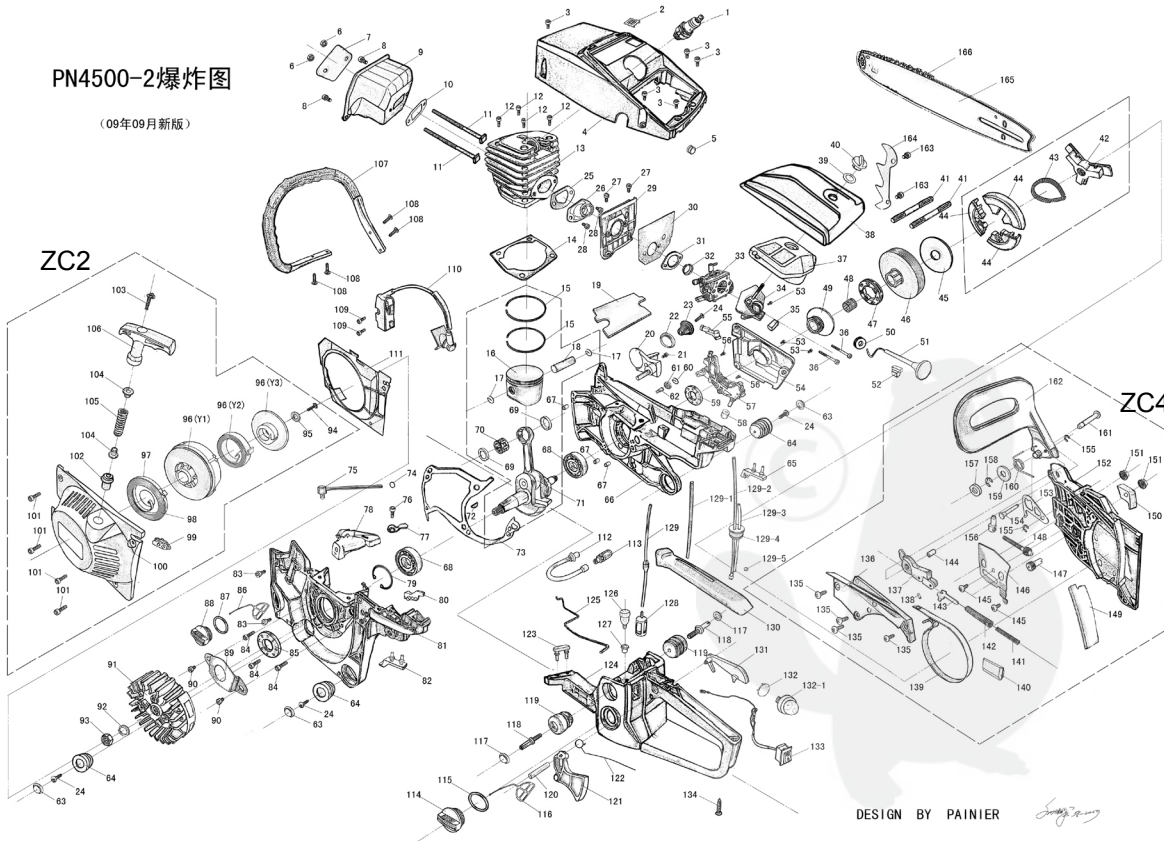


PN4500-2爆炸图

(09年09月新版)

ZC2

ZC4



DESIGN BY PAINIER

PN4500-2 exploding view

| Item No. | English Name | QT |
|-------------|---------------------------|----|
| GNNG4500-1 | SPARK PLUG | 1 |
| GNNG4500-2 | AIR DAMPER | 1 |
| GNNG4500-3 | SCREW M5X14 | 5 |
| GNNG4500-4 | COVER-TOP | 1 |
| GNNG4500-5 | RUBBER STOPPER | 1 |
| GNNG4500-6 | NUT M5 | 2 |
| GNNG4500-7 | SHIELD-MUFFLER | 1 |
| GNNG4500-8 | SCREW M5X10 | 2 |
| GNNG4500-9 | MUFFLER ASSY | 1 |
| GNNG4500-10 | GASKET-MUFFLER | 1 |
| GNNG4500-11 | SCREW-MUFFLER | 2 |
| GNNG4500-12 | SCREW M5X20 | 4 |
| GNNG4500-13 | CYLINDER | 1 |
| GNNG4500-14 | GASKET-CYLINDER | 1 |
| GNNG4500-15 | PISTON RING | 2 |
| GNNG4500-16 | PISTON | 1 |
| GNNG4500-17 | RING-SNAP | 2 |
| GNNG4500-18 | PIN-PISTON | 1 |
| GNNG4500-19 | GASKET-SUPPORT CARBURETOR | 1 |
| GNNG4500-20 | CHAIN CATCHER | 1 |
| GNNG4500-21 | RING-PLASTIC | 1 |
| GNNG4500-22 | SCREW M4X14 | 1 |
| GNNG4500-23 | SPRING-DAMPING | 1 |
| GNNG4500-24 | SCREW ST4. 8X16 | 3 |
| GNNG4500-25 | BOOT-INTAKE | 1 |
| GNNG4500-26 | SPRING-INTAKE | 1 |
| GNNG4500-27 | SCREW M5X14 | 2 |
| GNNG4500-28 | SCREW-INTAKE M5X14 | 2 |
| GNNG4500-29 | SUPPORT CABURETOR | 1 |
| GNNG4500-30 | GASKET-CARBURETOR | 1 |
| GNNG4500-31 | FLANGE-CARBURETOR | 1 |
| GNNG4500-32 | EYELET-CARBURETOR | 1 |
| GNNG4500-33 | CARBURETOR | 1 |
| GNNG4500-34 | GROMMET-INNER | 1 |
| GNNG4500-35 | BUMPER-RUBBER | 1 |
| GNNG4500-36 | SCREW M5X50 | 2 |
| GNNG4500-37 | AIR FILTER | 1 |
| GNNG4500-38 | COVER-AIR FILTER | 1 |
| GNNG4500-39 | GASKET-KNOB | 1 |
| GNNG4500-40 | KNOB-AIR FILTER | 1 |
| GNNG4500-41 | STUD-BAR | 2 |
| GNNG4500-42 | HOLDING SUPPORT | 1 |
| GNNG4500-43 | SPRING-CLUTCH | 1 |
| GNNG4500-44 | HOOF BLOCK | 3 |
| GNNG4500-45 | WASHER-CLUTCH | 1 |
| GNNG4500-46 | DRUM-CLUTCH | 1 |



| | | |
|-----------------|----------------------------|----|
| GNNG4500-47 | SPROCKET | 1 |
| GNNG4500-48 | NEEDLE BEARING BALL CLUTCH | 1 |
| GNNG4500-49 | GEAR WORM | 1 |
| GNNG4500-50 | GROMMET-CHOKE KNOB | 1 |
| GNNG4500-51 | CHOKE KNOB | 1 |
| GNNG4500-52 | BUMPER-CHOKE KNOB | 1 |
| GNNG4500-53 | SCREW M5X12 | 3 |
| GNNG4500-54 | COVER-OIL PUMP | 1 |
| GNNG4500-55 | OIL-VENT | 1 |
| GNNG4500-56 | SCREW M4X12 | 2 |
| GNNG4500-57 | OIL PUMP ASSY | 1 |
| GNNG4500-58 | FILTER-OIL PUMP | 1 |
| GNNG4500-59 | SEAL OIL | 1 |
| GNNG4500-60 | SPRING | 1 |
| GNNG4500-61 | FILTER VENT | 1 |
| GNNG4500-62 | AIR-VENT | 1 |
| GNNG4500-63 | PLUG-PAD | 3 |
| GNNG4500-64 | RUBBER CUSHIONING (LOWER) | 3 |
| GNNG4500-65 | BUMPER-RUBBER (RIGHT) | 1 |
| GNNG4500-66 | RIGHT CRANK CASE | 1 |
| GNNG4500-67 | PIN 6X10 | 3 |
| GNNG4500-68 | BEARING 6202 | 2 |
| GNNG4500-69 | WASHER-SPACER PISTON | 2 |
| GNNG4500-70 | BEARING CRANKSHAFT | 1 |
| GNNG4500-71 | CRANKSHAFT | 1 |
| GNNG4500-72 | KEYWHEEL | 1 |
| GNNG4500-73 | GASKET-CRANKCASE | 1 |
| GNNG4500-74 | SPRING-HOSE PLUSE | 1 |
| GNNG4500-75 | HOSE-PLUSE | 21 |
| GNNG4500-76 | SCREW M5X12 | 1 |
| GNNG4500-77 | CLIP-WIRE | 1 |
| GNNG4500-78 | GROMMET-ADJUSTING | 1 |
| GNNG4500-79 | RING | 1 |
| GNNG4500-80 | GROMMET-OUTER | 1 |
| GNNG4500-81 | LEFT CRANK CASE | 1 |
| GNNG4500-82 | BUMPER-RUBBER (LEFT) | 1 |
| GNNG4500-83 | SCREW M5X30 | 2 |
| GNNG4500-84 | SCREW M5X25 | 3 |
| GNNG4500-85 | SEAL OIL | 1 |
| GNNG4500-86 | FUEL CAP HOLDING | 1 |
| GNNG4500-87 | GASKET-OIL CAP | 1 |
| GNNG4500-88 | OIL CAP | 1 |
| GNNG4500-89 | GROMMET-ROPE | 1 |
| GNNG4500-90 | SCREW M4X6 | 1 |
| GNNG4500-91 | FLYWEEL ASSY | 1 |
| GNNG4500-92 | SPRING WASHER | 1 |
| GNNG4500-93 | NUT M8X1 | 1 |
| GNNG4500-94 | SCREW ST4. 8X12 | 1 |
| GNNG4500-95 | WASHER | 1 |
| GNNG4500-96□Y1□ | PULLEY START (BIG) | 1 |



| | | |
|-----------------|---------------------------|---|
| GNNG4500-96□Y2□ | START SPRING | 1 |
| GNNG4500-96□Y3□ | PULLEY START (SMALL) | 1 |
| GNNG4500-97 | COVER SPRING | 1 |
| GNNG4500-98 | STARTER SPRING | 1 |
| GNNG4500-99 | GROMMET-OUTER | 1 |
| GNNG4500-100 | HOUSING-STARTER | 1 |
| GNNG4500-101 | SCREW M5X14 | 4 |
| GNNG4500-102 | GROMMET-ROPE | 1 |
| GNNG4500-103 | STARTER ROPE | 1 |
| GNNG4500-104 | WASHER | |
| GNNG4500-105 | SPRING-KICK BACK | 1 |
| GNNG4500-106 | HANDLE-STARTER | 1 |
| GNNG4500-107 | FRONT HANDLE | 1 |
| GNNG4500-108 | SCREW ST4. 8X16 | 4 |
| GNNG4500-109 | SCREW M5X20 | 2 |
| GNNG4500-110 | IGNITION ASSY | 1 |
| GNNG4500-111 | BAFFLE-FAN | 1 |
| GNNG4500-112 | HOSE OIL | 1 |
| GNNG4500-113 | OIL FILTER | 1 |
| GNNG4500-114 | FUEL CAP | 1 |
| GNNG4500-115 | WASHER-FUEL CAP | 1 |
| GNNG4500-116 | OIL CAP HOLDING | 1 |
| GNNG4500-117 | PLUG-PAD (BIG) | 2 |
| GNNG4500-118 | BOLT | 2 |
| GNNG4500-119 | RUBBER CUSHIONING (UPPER) | 2 |
| GNNG4500-120 | PIN-TRIGGER | 1 |
| GNNG4500-121 | TRIGGER | 1 |
| GNNG4500-122 | SPRING-TRIGGER | 1 |
| GNNG4500-123 | BUMPER-RUBBER (FRONT) | 1 |
| GNNG4500-124 | FUEL TANK | 1 |
| GNNG4500-125 | ROD-THROTTLE | 1 |
| GNNG4500-126 | BALANCE | 1 |
| GNNG4500-127 | BALANCE-SUPPORT | 1 |
| GNNG4500-128 | FUEL FILTER | 1 |
| GNNG4500-129 | HOSE FUEL 1 | 1 |
| GNNG4500-129-1 | INLET HOSE FUEL | 1 |
| GNNG4500-129-2 | HOSE FUEL 2 | 1 |
| GNNG4500-129-3 | OUTLET HOSE FUEL | 1 |
| GNNG4500-129-4 | SUPPORT HOSE FUEL | 1 |
| GNNG4500-129-5 | CLIP-HOSE FUEL | 1 |
| GNNG4500-130 | COVER-REAR HANDLE | 1 |
| GNNG4500-131 | LEVER-SAFETY TRIGGER | 1 |
| GNNG4500-132 | Decorative Cover | 1 |
| GNNG4500-132-1 | PRIMER BULB | 1 |
| GNNG4500-133 | SWITCH STOP | 1 |
| GNNG4500-134 | SCREW ST4. 8X19 | 1 |
| GNNG4500-135 | SCREW ST4. 2X9. 5 | 4 |
| GNNG4500-136 | COVER BRAKE | 1 |
| GNNG4500-137 | LEVERAGE-BRAKE | 1 |
| GNNG4500-138 | PIN 3X8 | 1 |



| | | |
|--------------|--------------------------|---|
| GNNG4500-139 | BAND-BRAKE | 1 |
| GNNG4500-140 | PAD RUGHT | 1 |
| GNNG4500-141 | SPRING-ACTUATION | 1 |
| GNNG4500-142 | SPRING-ACTUATION | 1 |
| GNNG4500-143 | PLATE-BRAKE | 1 |
| GNNG4500-144 | BUSHING | 1 |
| GNNG4500-145 | SCREW ST4. 2X9. 5 | 2 |
| GNNG4500-146 | PLATE-BAR | 1 |
| GNNG4500-147 | SPROCKET-CHAIN ADJUSTING | 1 |
| GNNG4500-148 | SCREW-CHAIN ADJUSTING | 1 |
| GNNG4500-149 | STRAP-RUBBER | 1 |
| GNNG4500-150 | BUMPER-BRAKE HOUSING | 1 |
| GNNG4500-151 | NUT M8 | 2 |
| GNNG4500-152 | BRAKE HOUSING | 1 |
| GNNG4500-153 | PLATE-BRAKE | 1 |
| GNNG4500-154 | PIN | 1 |
| GNNG4500-155 | RING-SNAP | 2 |
| GNNG4500-156 | SHAFT-CHAIN ADJUSTING | 1 |
| GNNG4500-157 | WASHER-RUBBER | 1 |
| GNNG4500-158 | RING-SNAP | 1 |
| GNNG4500-159 | GASKET | 1 |
| GNNG4500-160 | SPRING-BRAKE LEVER | 1 |
| GNNG4500-161 | PIN-LEVER | 1 |
| GNNG4500-162 | LEVER-CHAIN BRAKE | 1 |
| GNNG4500-163 | SCREW M5X10 | 2 |
| GNNG4500-164 | SPIKE | 1 |
| GNNG4500-165 | GUIDE BAR | 1 |
| GNNG4500-166 | CHAIN | 1 |

GNNG4500-ZC2
GNNG4500-ZC4

Starter assy (white) n°94 to n°106
frein de chaîne complet

