



PARTS CATALOG

GRASS-TRIMMER / BRUSHCUTTER

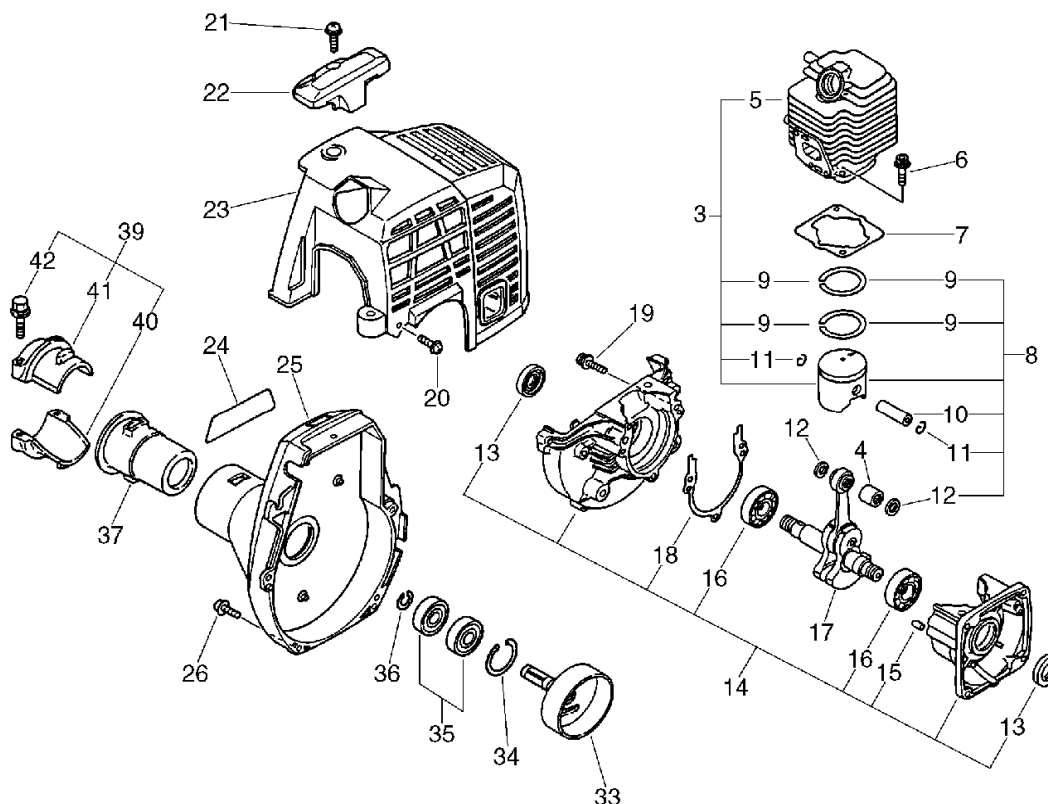
GT-2400



GT-2400

1. Cylinder, Crankcase, Piston, Fan Cover

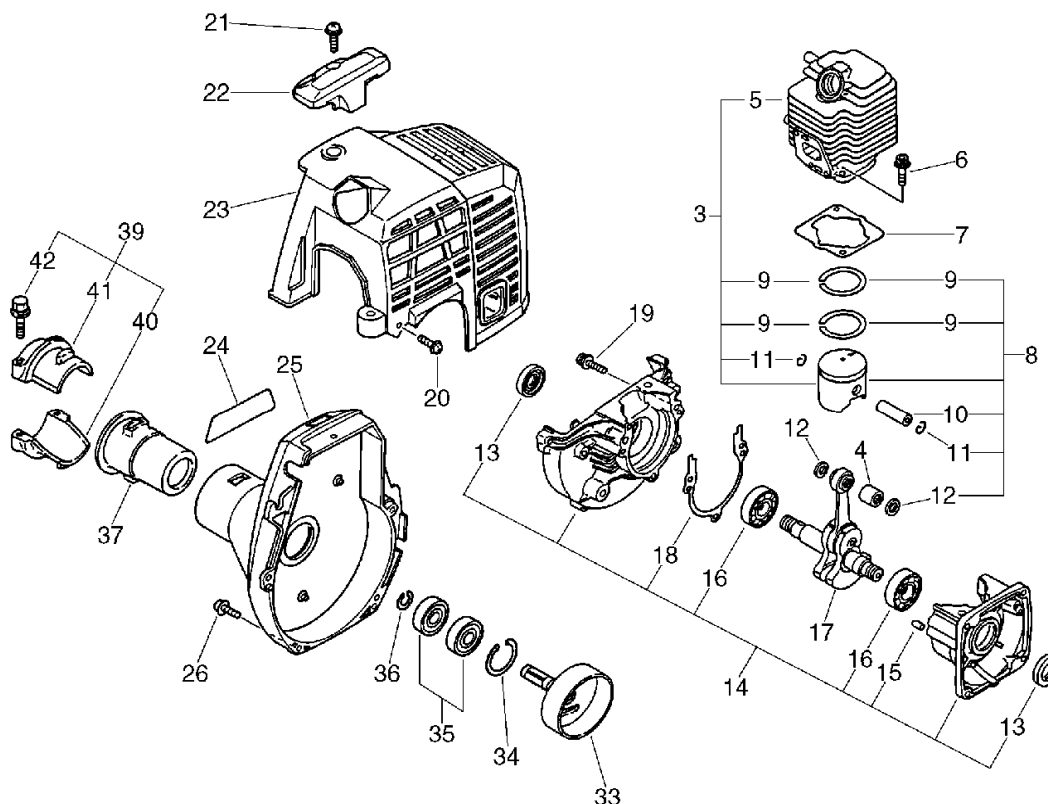
No.1



KEY	LV	PART NUMBER	Q'TY	DESCRIPTION	REMARKS	NOTE1	NOTE2
5		101011-09560	1	CYLINDER		Sr/Nr 110789 and before	
5		101011-08960	1	CYLINDER (CR)		Sus. by 101003-08960	
3		101003-08960	1	CYLINDER PISTON KIT		Sr/Nr 110790 and after	
5	+	101011-08961	1	CYLINDER (CR)		Sr/Nr 117773 and after	
9	+	100011-09560	2	RING, PISTON			
11	+	100015-04630	2	CIRCLIP, PISTON PIN			
6		900162-05022	2	BOLT, H.S. 5*22	5*22 W,SW		
7		101010-44331	1	GASKET, CYL. BASE		Sus. by 101010-44332	
7		101010-44332	1	GASKET, CYL. BASE			
8		100000-09561	1	PISTON KIT		Sus. by 100000-09563	
8		100000-09563	1	PISTON KIT			
9	+	100011-09560	2	RING, PISTON			
10	+	100013-11520	1	PIN, PISTON			
11	+	100015-04630	2	CIRCLIP, PISTON PIN			
12	+	100014-11520	2	SPACER, PISTON PIN			
14		100204-52130	1	CRANKCASE KIT		Sus. by 100204-52132	
14		100204-52131	1	CRANKCASE KIT		Sus. by 100204-52132	
14		100204-52132	1	CRANKCASE KIT			

1. Cylinder, Crankcase, Piston, Fan Cover

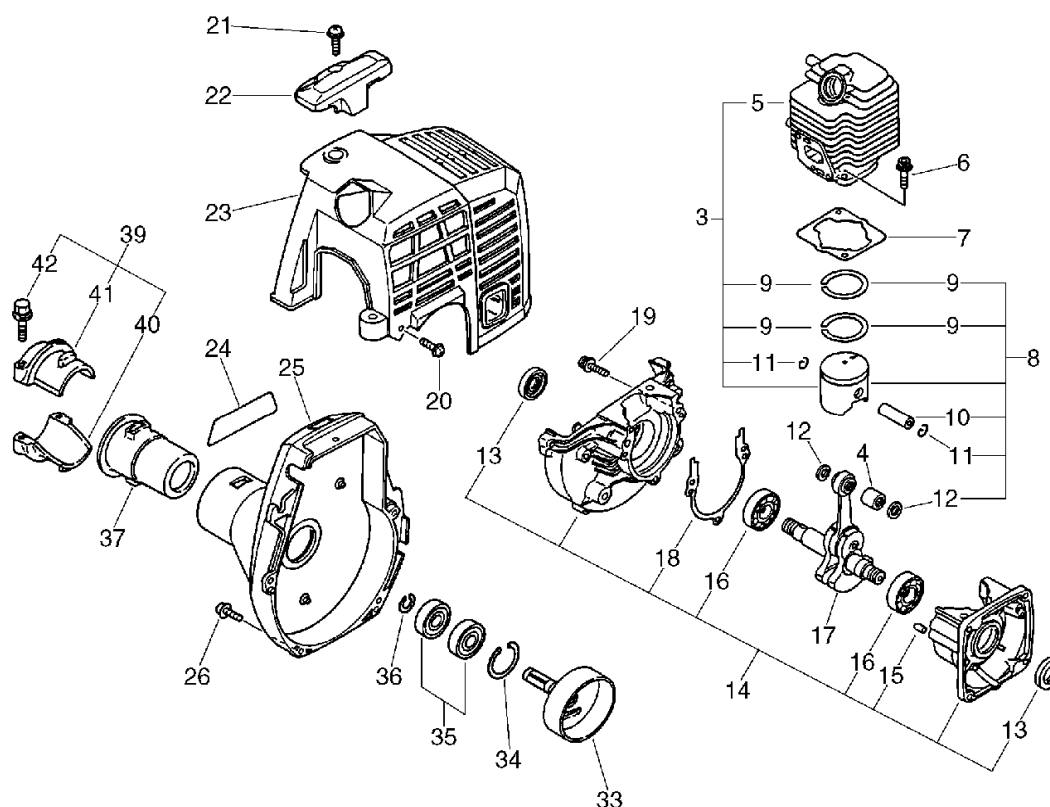
No.1



KEY	LV	PART NUMBER	Q'TY	DESCRIPTION	REMARKS	NOTE1	NOTE2
13	+	100212-42030	2	OILSEAL	ISCD12*22*4.5	Sus. By 100212-42031	
13	+	100212-42031	2	OILSEAL	ISCD 12*22*4.5		
15	+	100215-03930	2	PIN, DOWEL		Sus. by V622-000020	
15	+	V622-000020	2	PIN, STRAIGHT 4	4*7.8		
16	+	900810-36201	2	BEARING, BALL 6201	6201/C3	Sus. by 94035-36201	
16	+	94035-36201	2	BEARING BALL	6201X3JR2C3		
18	+	100242-42030	1	GASKET, CRANKCASE			
19	+	900162-05028	3	BOLT, H.S. 5*28	5*28 W, SW		
17		100100-52131	1	CRANKSHAFT ASSY		Sr/Nr 110789 and before	
17		100100-44732	1	CRANKSHAFT ASSY		Sus. by A011-000101	
17		A011-000100	1	CRANKSHAFT, ASM		Sus. by A011-000101	
17		A011-000101	1	CRANKSHAFT, ASM		Sr/Nr 110790 and after	
4	+	100012-51230	1	BEARING, NEEDLE	8*12*10	Sus. by V553-000010	
4	+	V553-000010	1	BEARING, NEEDLE 8	HK0810		
20		900162-04016	2	BOLT, H.S. 4*16	4*16 W, SW	Sus. by 900163-04016	
20		900163-04016	2	BOLT HSH			

1. Cylinder, Crankcase, Piston, Fan Cover

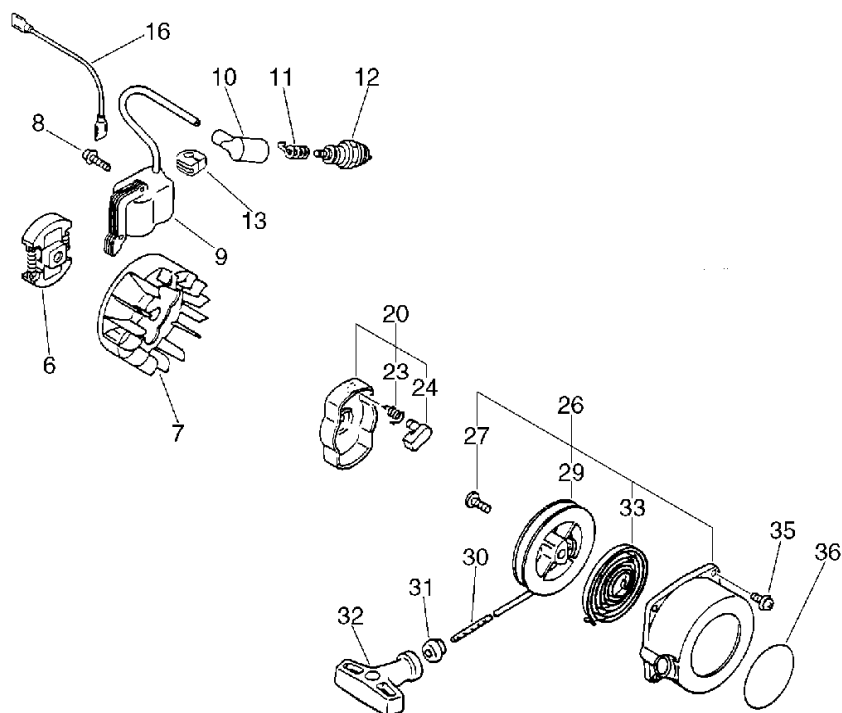
No.1



KEY	LV	PART NUMBER	Q'TY	DESCRIPTION	REMARKS	NOTE1	NOTE2
21		900238-05016	1	SCREW 5*16	5*16		
22		159912-54130	1	GUARD, TOP			
23		101514-48930	1	COVER, CYLINDER			
24		890112-52730	1	LABEL, MODEL			
25		101503-52131	1	COVER ASSY, FAN			
26		900162-04016	4	BOLT, H.S. 4*16	4*16 W,SW	Sus. by 900163-04016	
26		900163-04016	4	BOLT HSH			
33		175005-48930	1	DRUM, CLUTCH		Sus. by 175005-48931	
33		175005-48931	1	DRUM, CLUTCH			
34		900702-00028	1	CIRCLIP 28	CR-28		
35		900807-06001	2	BEARING, BALL 6001	6001V(LB)		
36		900701-00012	1	CIRCLIP 12	CS-12		
37		610910-52730	1	CUSHION			
39		610903-52130	1	HOLDER KIT			
40	+	610923-52130	1	HOLDER			
41	+	610922-51030	1	FIXTURE, MAIN PIPE			
42	+	900142-05025	2	BOLT 5*25 (W/W,SW)	5*25		

2. Starter, Magneto, Clutch

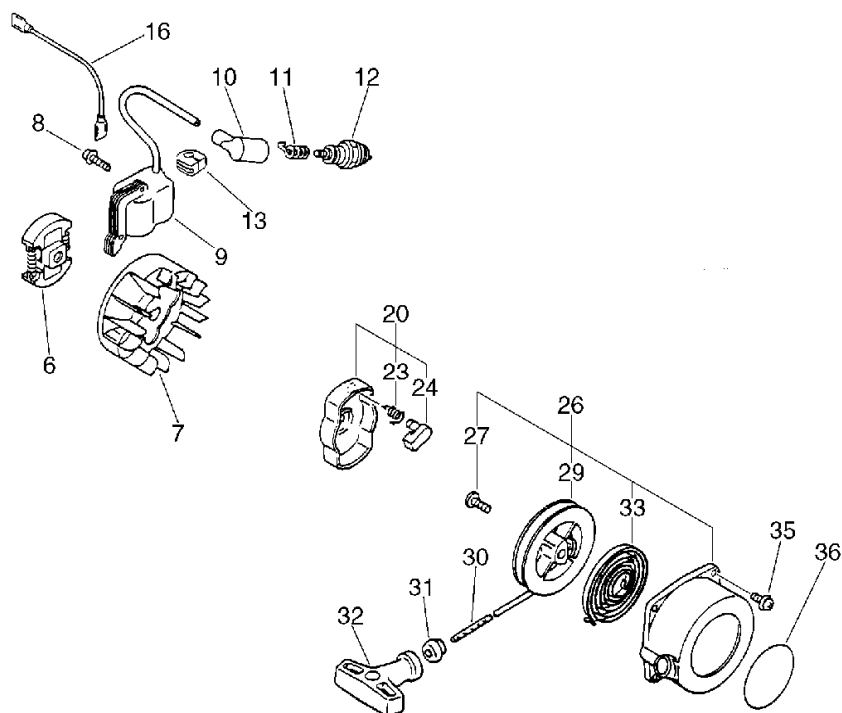
No.2



KEY	LV	PART NUMBER	Q'TY	DESCRIPTION	REMARKS	NOTE1	NOTE2
6		175000-42031	1	CLUTCH ASSY		Sus. by 175000-56830	
6		175000-49030	1	CLUTCH ASSY		Sus. by 175000-56830	
6		175000-56830	1	CLUTCH ASSY			
7		156801-44731	1	FLYWHEEL		Sr/Nr 120980 and before	
7		156801-09660	1	FLYWHEEL		Sr/Nr 120981 and after	
8		900162-04022	2	BOLT, H.S. 4*22	4*22 W,SW		
9		156601-44731	1	COIL, IGNITION		Sr/Nr 110789 and before	
9		156601-52130	1	COIL, IGNITION		Sr/Nr 110790 to 120980	
9		156626-09660	1	COIL, IGNITION		Sus. by 156626-52730	
9		156626-52730	1	COIL, IGNITION		Sr/Nr 120981 and after	
10		159012-03433	1	CAP, SPARK PLUG			
11		159011-03432	1	COIL, SPARK PLUG			
12		159017-10230	1	PLUG, SPARK (RCJ-7Y)	RCJ-7Y		
13		156112-40630	1	GROMMET			
16		162010-52830	1	LEAD, GROUND		Sr/Nr 110790 and after	
20		177202-44330	1	PAWL ASSY, STARTER		Sus. by 177202-44331	

2. Starter, Magneto, Clutch

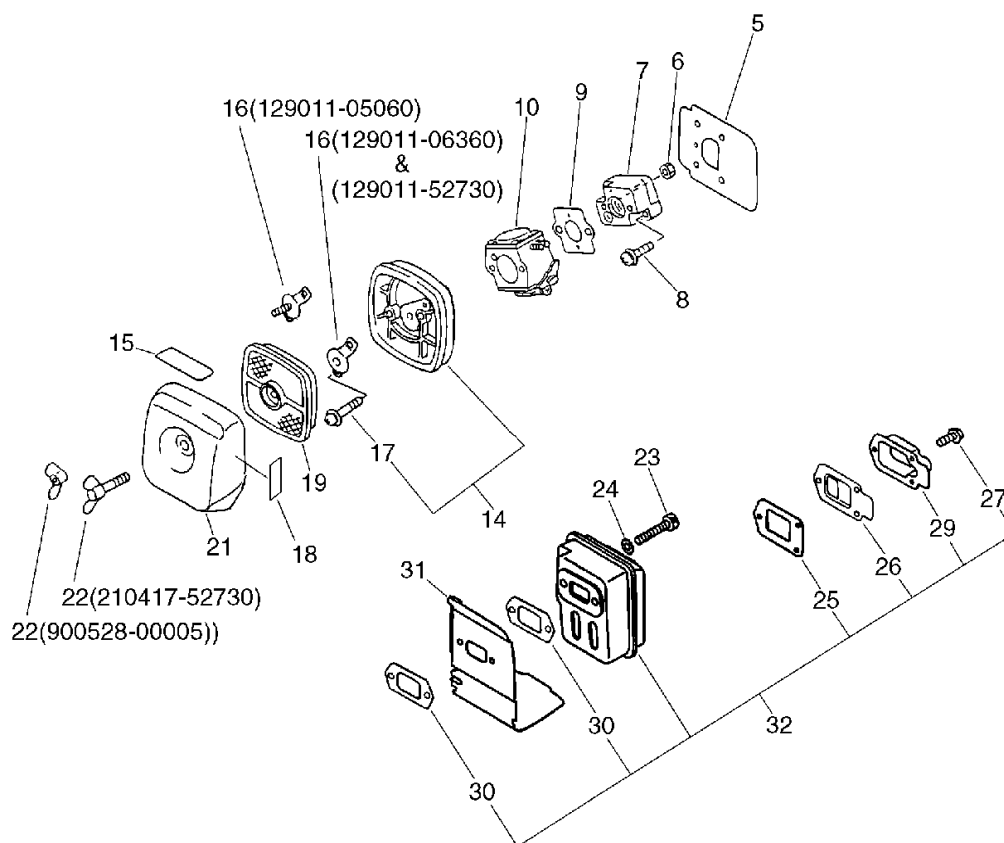
No.2



KEY	LV	PART NUMBER	Q'TY	DESCRIPTION	REMARKS	NOTE1	NOTE2
20		177202-44331	1	PAWL ASM., STARTER			
23	+	177234-42030	1	SPRING, RETURN		Sus. by 177234-12220	
23	+	177234-12220	1	SPRING, PAWL			
24	+	177218-42030	1	PAWL, STARTER			
26		177200-42032	1	STARTER ASSY		Sus. by 177200-42033	
26		177200-42033	1	STARTER ASSY			
27	+	177236-44330	1	SCREW			
29	+	177215-42030	1	DRUM, STARTER		Sus. by 177215-44430	
29	+	177215-44430	1	DRUM, STARTER			
30	+	177226-10120	1	ROPE, STARTER	3.0*1000		
31	+	177227-42030	1	GUIDE, ROPE			
32	+	177228-06530	1	GRIP, STARTER			
33	+	177220-42030	1	SPRING, REWIND			
35		900162-04016	2	BOLT, H.S. 4*16	4*16 W,SW	Sus. by 900163-04016	
35		900163-04016	2	BOLT HSH			
36		890118-49130	1	LABEL, ECHO			

3. Air Cleaner, Muffler

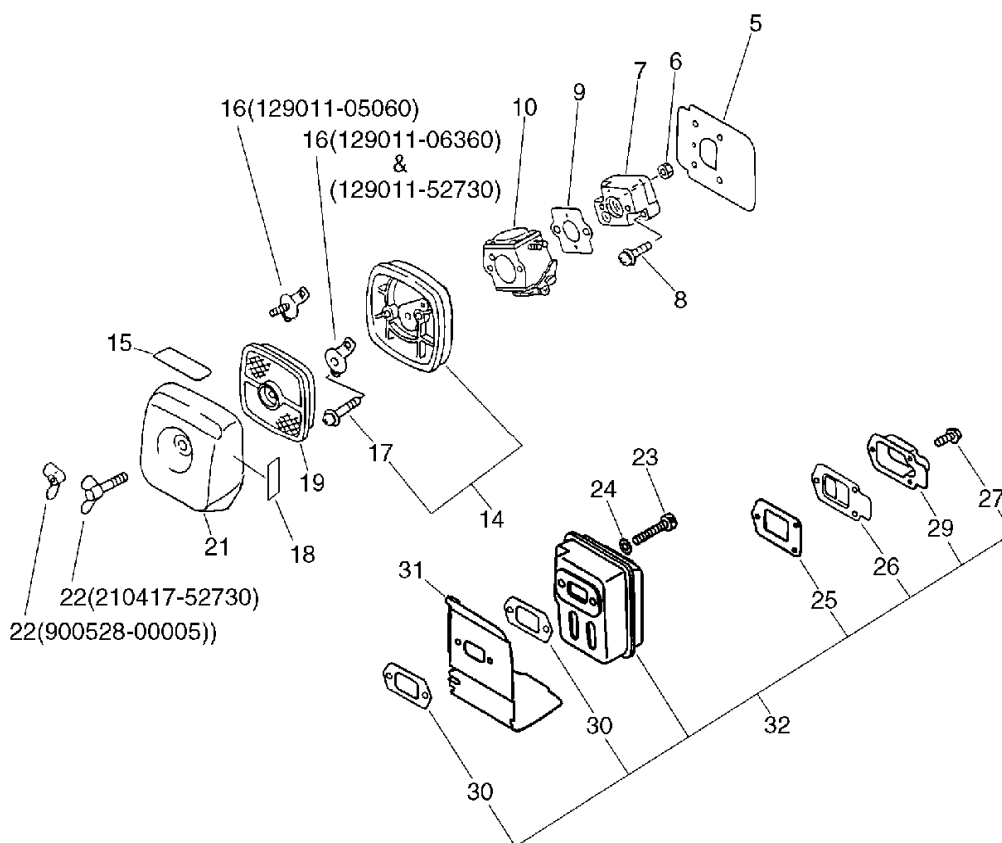
No.3



KEY	LV	PART NUMBER	Q'TY	DESCRIPTION	REMARKS	NOTE1	NOTE2
5		130010-42032	1	GASKET, INTAKE			
6		900500-00005	2	NUT 5	5		
7		130017-42031	1	INSULATOR, INTAKE			
8		900238-05020	2	SCREW 5*20	5*20		
9		130016-42031	1	GASKET, INTAKE		Sr/Nr 110789 and before	
9		130010-05960	1	GASKET, INTAKE		Sr/Nr 110790 and after	
10		125200-52131	1	CARBURETOR ASSY	C1U-K23B	Sr/Nr 110789 and before	
10		123000-52131	1	CARBURETOR ASSY	WT-424A	Sus. by 123000-52133	
10		123000-52132	1	CARBURETOR ASSY	WT424B	Sus. by 123000-52133	
10		123000-52133	1	CARBURETOR WT-424C	WT-424C	Sr/Nr 110790 and after	
14		130307-06561	1	CASE, AIR CLEANER			
17	+	900242-05065	2	SCREW 5*65	5*65		
15		890121-05360	1	LABEL, METERING		Sus. by 890334-52730	
15		890334-52730	1	LABEL, METERING			
16		129011-05060	1	PLATE		Sr/Nr 100005 and before	
16		129011-06360	1	PLATE, PREVENT		Sr/Nr 100006 to 110789	

3. Air Cleaner, Muffler

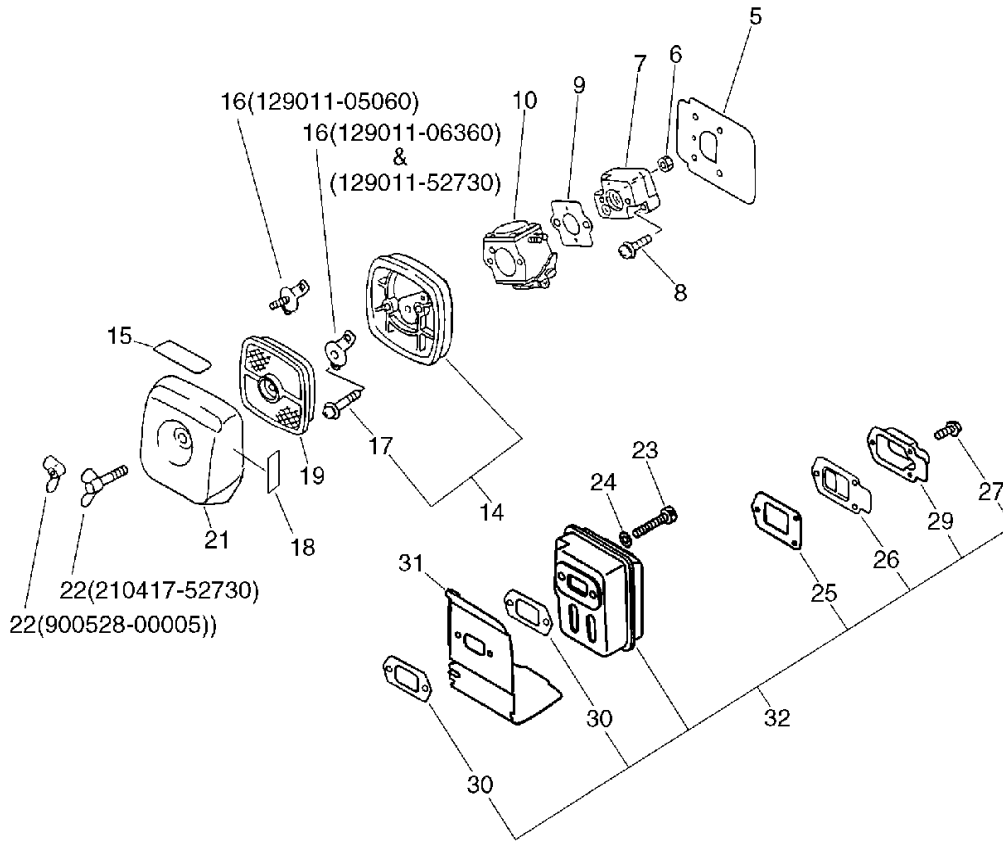
No.3



KEY	LV	PART NUMBER	Q'TY	DESCRIPTION	REMARKS	NOTE1	NOTE2
16		129011-52730	1	PLATE, PREVENT		Sr/Nr 110790 and after	
18		890332-52730	1	LABEL, CHOKE			
19		130310-54130	1	FILTER, AIR			
21		130313-06561	1	COVER, AIR CLEANER		Sr/Nr 100005 and before	
21		130313-06563	1	LID, AIR CLEANER		Sr/Nr 100006 and after	
22		900528-00005	1	NUT	5	Sr/Nr 100005 and before	
22		210417-52730	1	BOLT, WING	5*20	Sr/Nr 100006 and after	
23		900105-05055	2	BOLT, H.S. 5*55	5*55		
24		900600-00005	2	WASHER 5	5		
32		145802-21560	1	MUFFLER ASSY			
25	+	145866-42031	1	GASKET, MUFFLER LID			
26	+	145876-42030	1	LID, MUFFLER (B)			
27	+	900238-04010	3	SCREW 4*10	4*10		
29	+	145818-52130	1	GUIDE, EXHAUST			
30	+	145510-42031	2	GASKET, MUFFLER		Sus. by V104-000160	
30	+	V104-000160	2	GASKET, EXHAUST			
31		145871-44331	1	COVER, MUFFLER		Sus. by A320-000251	
31		145631-42030	1	COVER, MUFFLER		Sus. by A320-000251	

3. Air Cleaner, Muffler

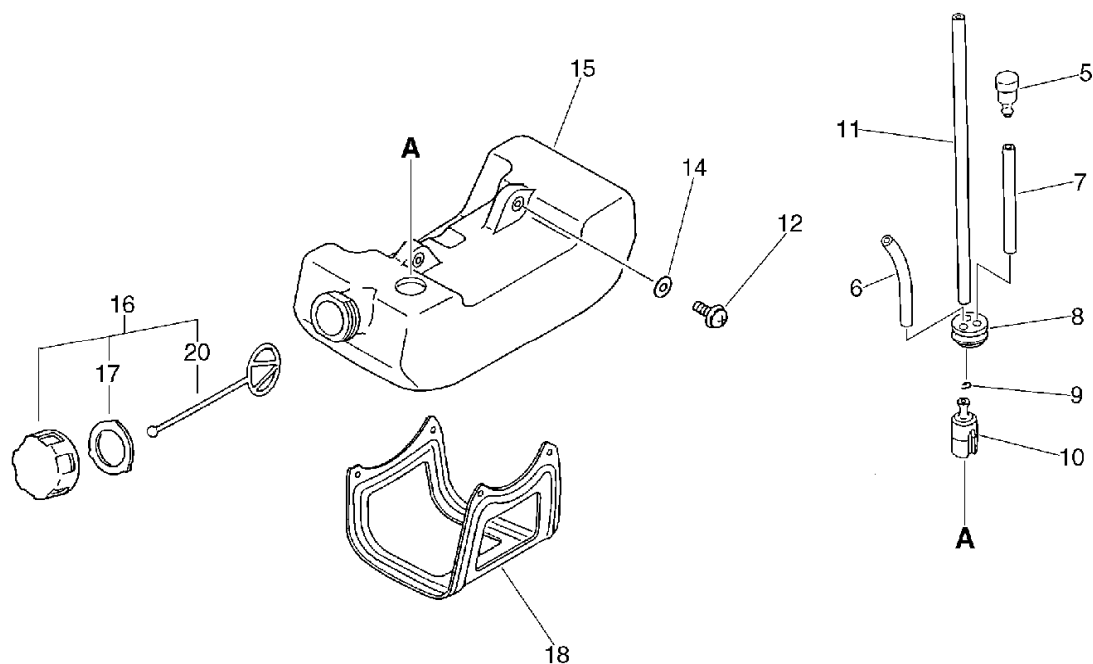
No.3



KEY	LV	PART NUMBER	Q'TY	DESCRIPTION	REMARKS	NOTE1	NOTE2
31		A320-000250	1	COVER,MUFFLER		Sus. by A320-000251	
31		A320-000251	1	COVER,MUFFLER			

4. Fuel Tank

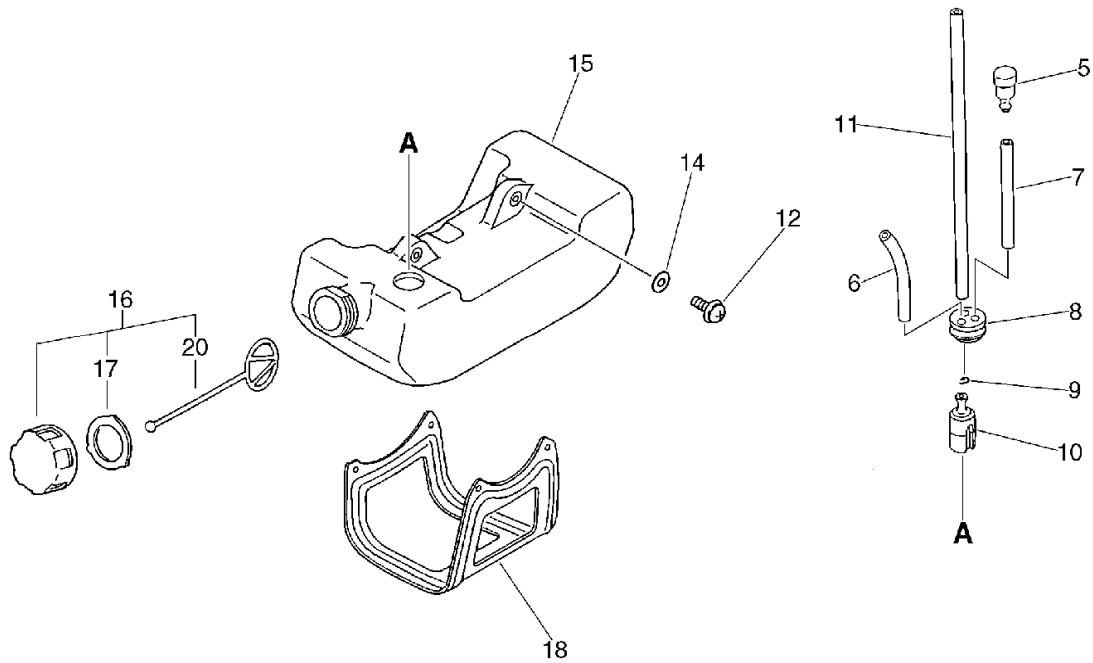
No.4



KEY	LV	PART NUMBER	Q'TY	DESCRIPTION	REMARKS	NOTE1	NOTE2
5		131300-40630	1	VALVE, CHECK		Sus. by A356-000030	
5		131300-56430	1	VALVE, CHECK		Sus. by A356-000030	
5		A356-000030	1	VALVE, CHECK			
6		132012-46730	1	PIPE	3*5*80 ㄷ ㄴ-ㄴ	Sus. by 132010-56330	
6		132012-56030	1	PIPE	3*6*80 YL	Sus. by 132010-56330	
6		132010-56330	1	PIPE 3*6*90	3*6*90 YL		
7		131312-44330	1	PIPE, 3*5*70L	3*5*70L NBR	Sus. by V471-001200	
7		131312-39130	1	PIPE	3*5*70(+3)NBR	Sus. by V471-001200	
7		V471-001200	1	PIPE	3*5*70 NBR		
8		132115-46730	1	GROMMET, FUEL		Sus. by V137-000030	
8		V137-000030	1	GROMMET, FUEL			
9		132013-09820	1	CLIP	6MM		
10		131205-07320	1	STRAINER, FUEL			
11		132010-13930	1	PIPE, FUEL	3*5*180L NBR	Sus. by V471-001190	
11		V471-001190	1	PIPE	3*5*180 NBR		
12		900238-05016	2	SCREW 5*16	5*16		
14		900603-00005	2	WASHER 5	5.5*12*0.8		

4. Fuel Tank

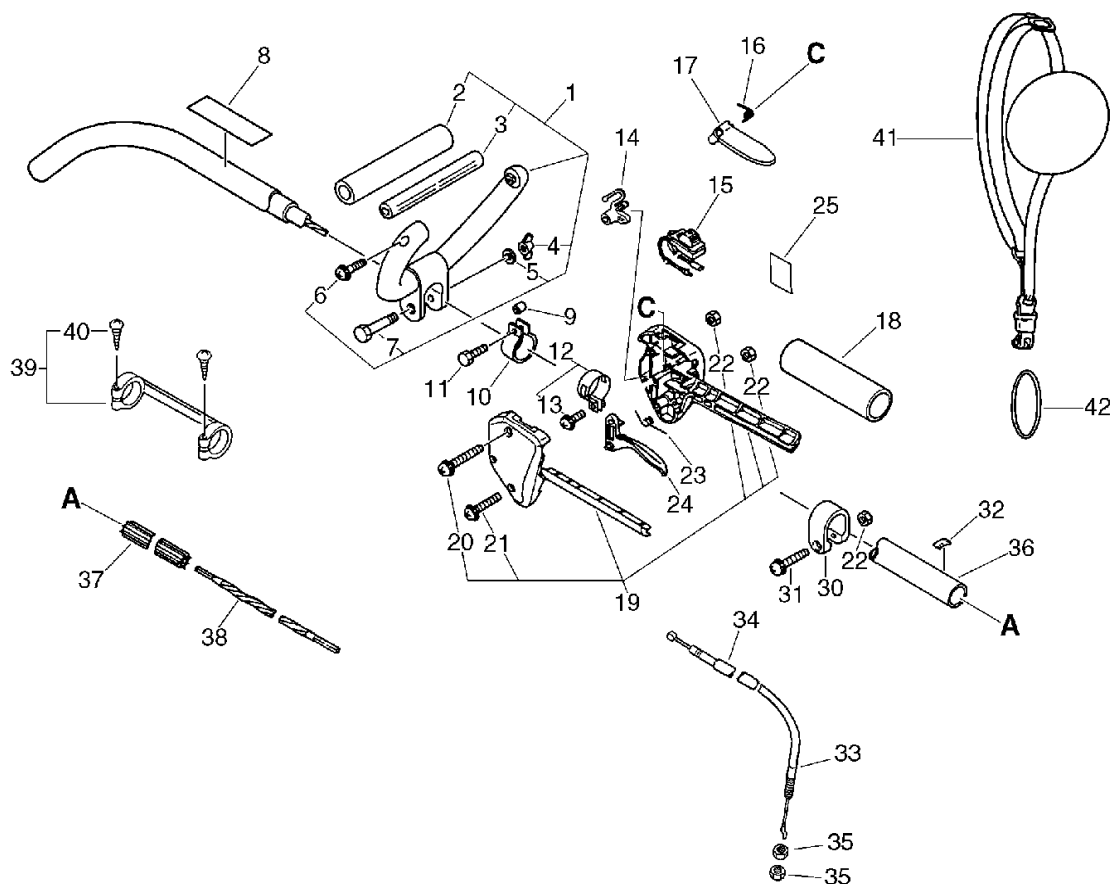
No.4



KEY	LV	PART NUMBER	Q'TY	DESCRIPTION	REMARKS	NOTE1	NOTE2
15		131005-44330	1	TANK, FUEL		Sus .by 131005-46831	
15		131005-44331	1	TANK, FUEL		Sus .by 131005-46831	
15		131005-46830	1	TANK, FUEL		Sus .by 131005-46831	
15		131005-46831	1	TANK, FUEL			
16		131004-06560	1	CAP ASSY, FUEL TANK		Sus. by 131004-08960	
16		131004-08960	1	CAP ASSY, FUEL			
17	+	131016-40930	1	GASKET, FUEL CAP		Can be used on the 131004-06560 only	
17	+	131016-55830	1	GASKET, FUEL CAP		Can be used on the 131004-08960 only	
20	+	131051-52430	1	CONNECTOR, CAP	80L		
18		305110-42030	1	STAND (BL)			

5. Handle

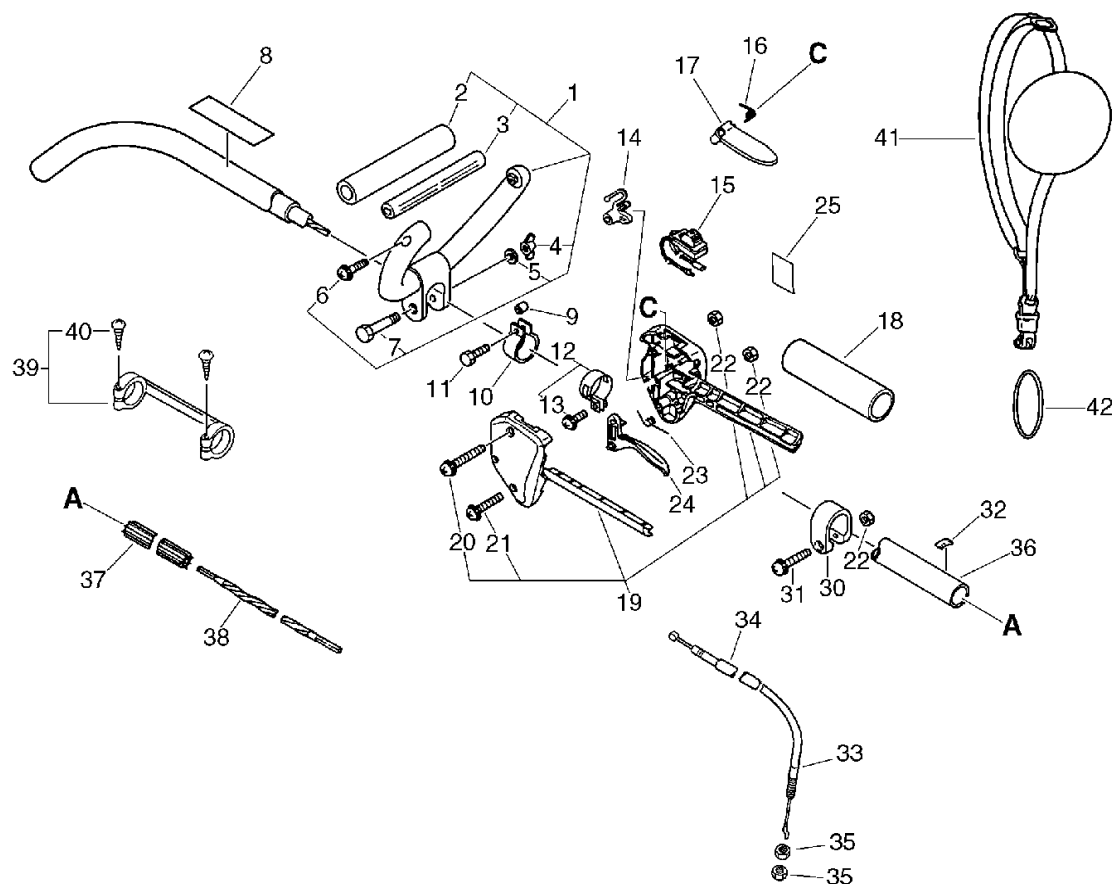
No.5



KEY	LV	PART NUMBER	Q'TY	DESCRIPTION	REMARKS	NOTE1	NOTE2
1		351201-50630	1	HANDLE ASSY, LOOP			
2	+	351213-51730	1	GRIP, FRONT HANDLE			
3	+	351210-51730	1	HANDLE, REAR			
4	+	900525-00006	1	NUT, WING 6	BN6		
5	+	900600-00006	1	WASHER 6	6		
6	+	900246-05030	2	SCREW 5*30	5*30		
7	+	900100-06040	1	BOLT 6*40	6*40		
8		890617-52730	1	LABEL, CAUTION		Sus. by X505-000140	
8		890617-63630	1	LABEL, CAUTION		Sus. by X505-000140	
8		X505-000140	1	LABEL, CAUTION			
9		699012-03330	1	SPACER			
10		301207-23330	1	HOOK			
11		900100-05018	1	BOLT 5*18	5*18		
12		301201-52730	1	BAND HOOK(W/SCREW)			
13	+	900242-05014	1	SCREW 5*14	5*14		
14		178012-52730	1	LOCKOUT, THROTTLE			
15		163400-49230	1	SWITCH, IGNITION			
16		178013-52630	1	SPRING, THR. LOCK			
17		178090-52630	1	LOCKOUT, T. CONTROL		Sus. by 178090-52632	
17		178090-52631	1	LOCKOUT, T. CONTROL		Sus. by 178090-52632	
17		178090-52632	1	LOCKOUT, T. CONTROL			
18		351213-52730	1	GRIP, FRONT HANDLE			

5. Handle

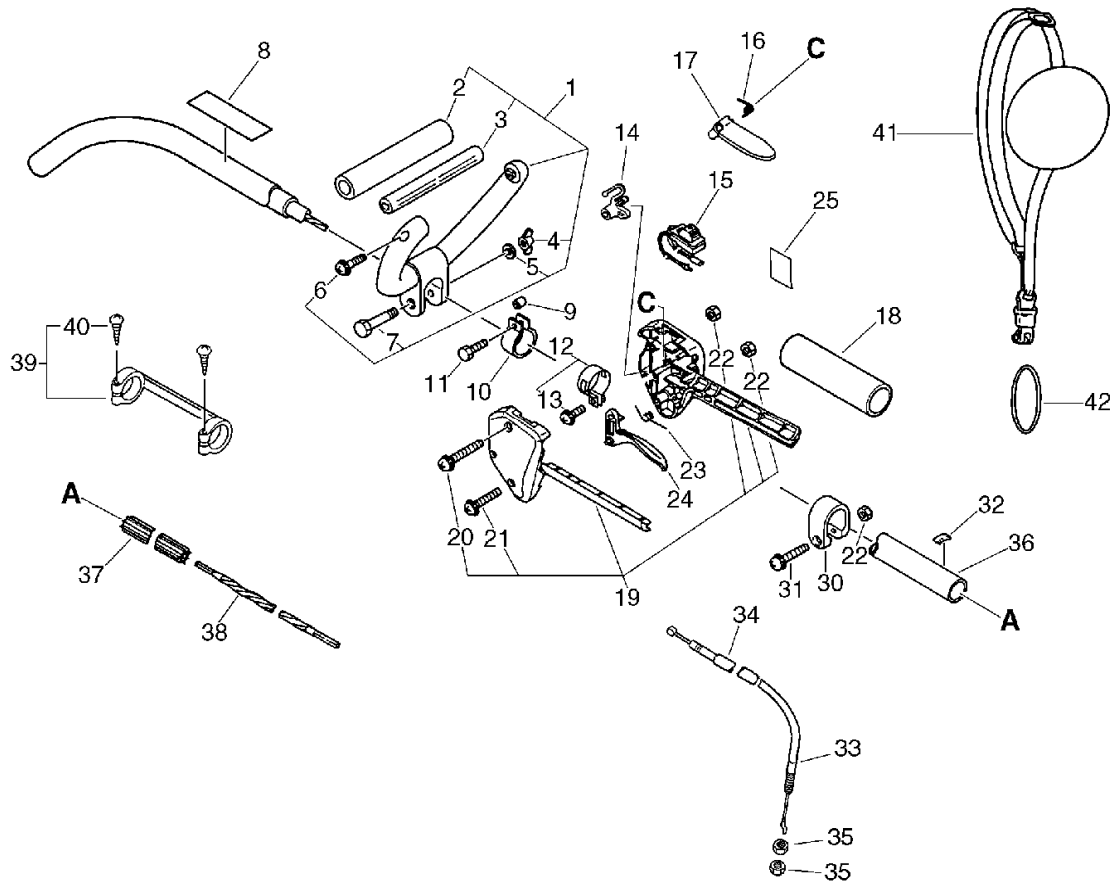
No.5



KEY	LV	PART NUMBER	Q'TY	DESCRIPTION	REMARKS	NOTE1	NOTE2
19		178003-52730	1	BRACKET SET,THROTTLE		Sus. by 178003-52731	
19		178003-52731	1	BRACKET SET,THROTTLE			
20	+	900242-05035	1	SCREW 5*35	5*35		
21	+	900242-05025	1	SCREW 5*25	5*25		
22	+	900500-00005	2	NUT 5	5		
23		178043-42230	1	SPRING, THR. RETURN			
24		178010-52130	1	CONTROL, THROTTLE			
25		890157-39130	1	LABEL, SWITCH			
30		610272-52730	1	BAND, GRIP			
22		900500-00005	1	NUT 5	5		
31		900242-05028	1	SCREW 5*28	5*28		
32		890152-04930	1	LABEL, CAUTION			
33		178001-44430	1	WIRE, THROTTLE		Sus. by 178001-56730	
33		178001-56730	1	CABLE, THROTTLE			
34		178127-50330	1	TUBE	10*11*140		
35		900502-00006	2	NUT 6 (3N)	3N6		
36		610210-23331	1	HOUSING, DRV. SHAFT			
37		610217-44530	1	LINER, FLEXIBLE			
38		610013-23330	1	SHAFT, FLEXIBLE			
39		610281-52730	1	COLLER			
40	+	900253-04020	2	SCREW TAPPING 4*20	4*20		
41		301000-52731	1	HARNESS, SHOULDER		Sus. by C062-000100	
41		C062-000100	1	HARNESS, SHOULDER			

5. Handle

No.5

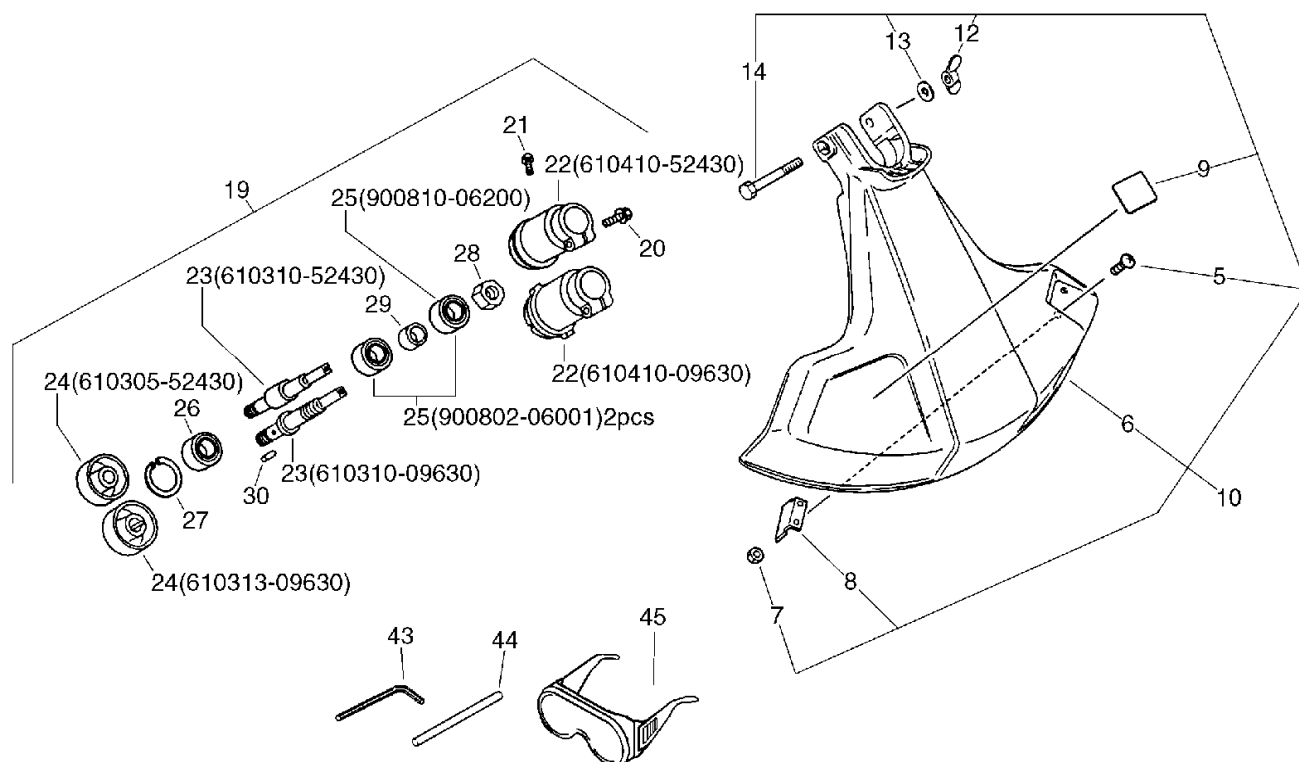


KEY	LV	PART NUMBER	Q'TY	DESCRIPTION	REMARKS	NOTE1	NOTE2
42		301016-52730	1	RING,HARNESS			



6. Gear Case, Shield, Tools

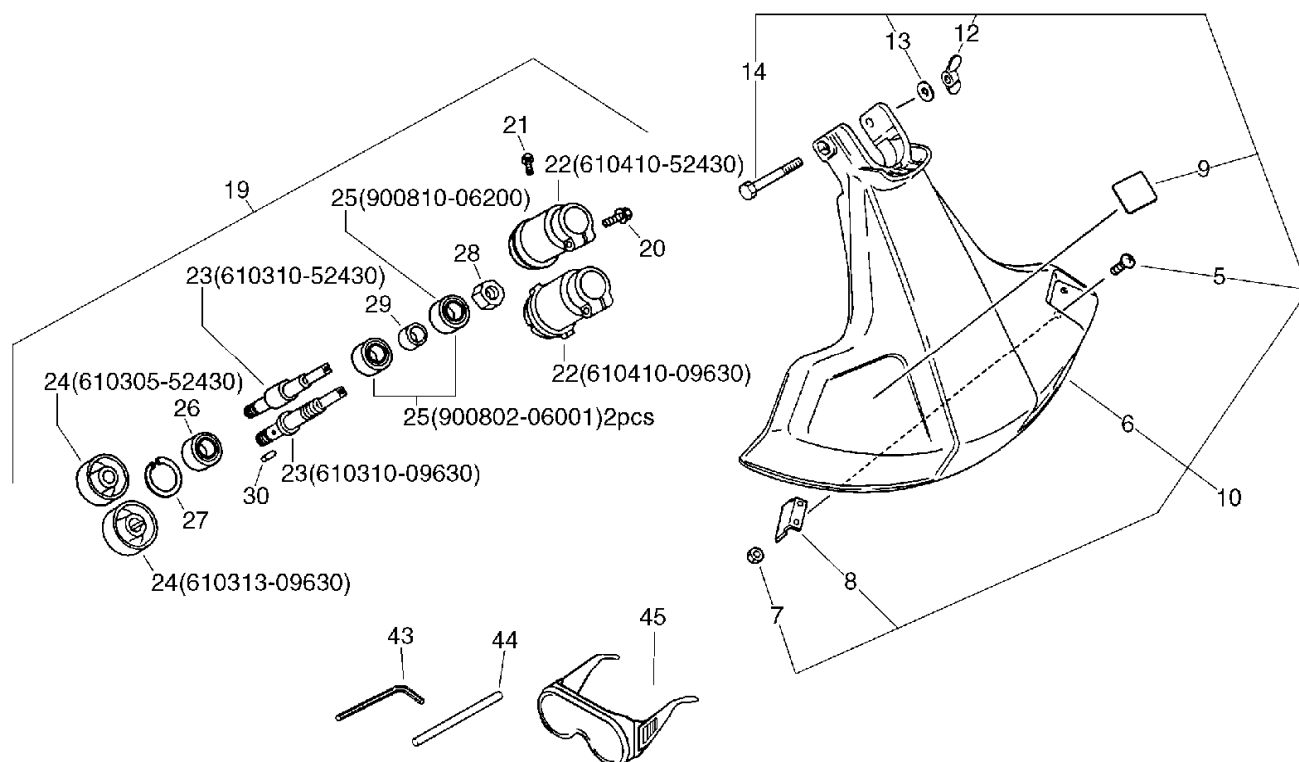
No.6



KEY	LV	PART NUMBER	Q'TY	DESCRIPTION	REMARKS	NOTE1	NOTE2
10		699004-40631	1	SHIELD ASSY W/LABEL		MM Size	
10		699004-52730	1	SHIELD ASSY		Inch. Size	
5	+	900242-05016	2	SCREW 5*16	5*16	Sus. by 900238-05016	
5	+	900238-05016	2	SCREW 5*16	5*16		
6	+	699010-40631	1	SHIELD		MM Size	
6	+	699010-44330	1	SHIELD (INCH)		Inch. Size	
7	+	900500-00005	2	NUT 5	5		
8	+	699016-44330	1	CUTTER			
9	+	890168-44330	1	LABEL, CAUTION			
12	+	900525-00006	1	NUT, WING 6	BN6	MM Size	
12	+	900033-00008	1	NUT, WING 1/4-20	1/4-20	Inch. Size	
13	+	900600-00006	1	WASHER 6	6	MM Size	
13	+	900035-00008	1	WASHER, CIRCULAR 1/4	1/4	Inch. Size	
14	+	900100-06050	1	BOLT 6*50	6*50	MM Size	
14	+	900017-08064	1	BOLT 1/4-20*2A	1/4-20*2A	Inch. Size	
19		610400-09630	1	HOUSING ASS'Y		Sus. by 610404-52430	
19		610404-52430	1	HOUSING ASSY			
20	+	900152-05025	1	BOLT 5*25	5*25		
21	+	900242-04010	1	SCREW 4*10	4*10		
22	+	610410-09630	1	CASE, GEAR		Sus. by 610404-52430	
22	+	610410-52430	1	CASE, GEAR			
23	+	610310-09630	1	SHAFT, P.T.O.		Sr/Nr 096000 and before	

6. Gear Case, Shield, Tools

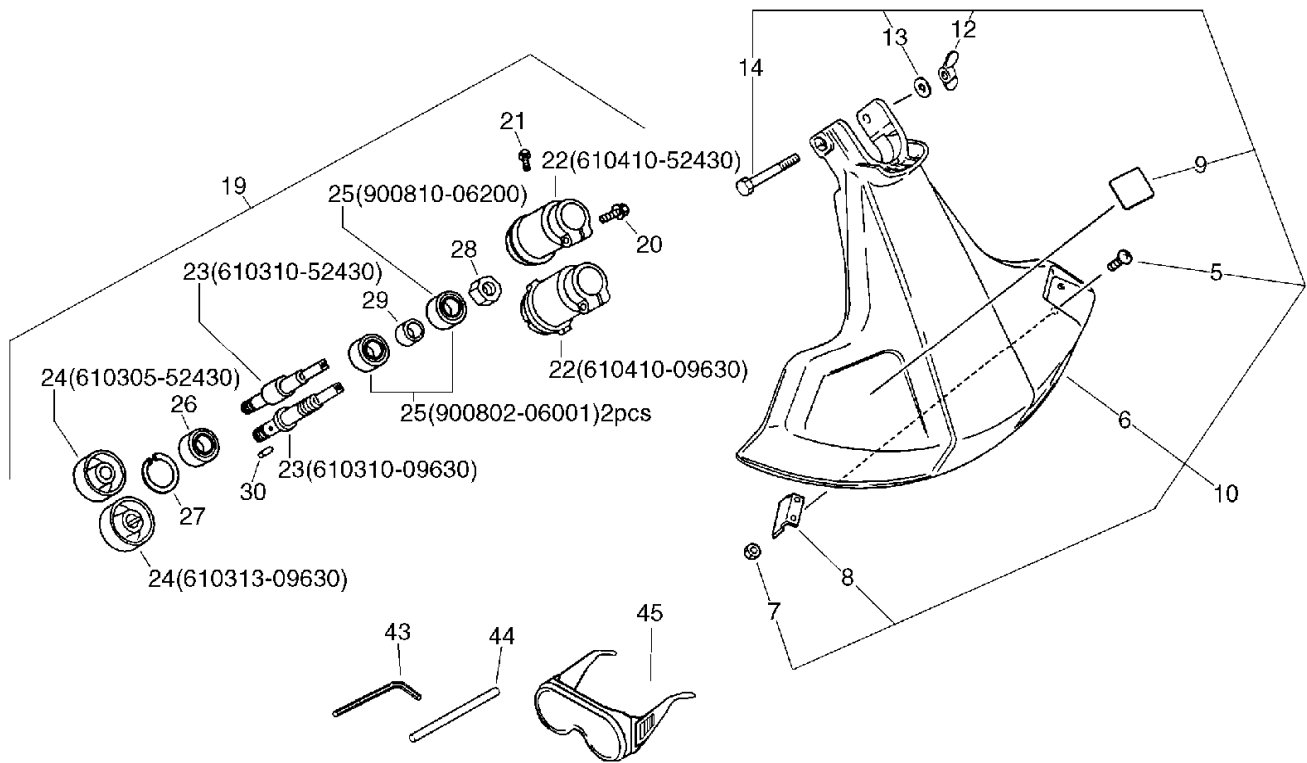
No.6



KEY	LV	PART NUMBER	Q'TY	DESCRIPTION	REMARKS	NOTE1	NOTE2
23	+	610310-52430	1	SHAFT, P.T.O.		Sr/Nr 096001 and after	
24	+	610313-09630	1	PLATE, ADAPTER (U)		Sr/Nr 096000 and before	
24	+	610305-52430	1	PLATE, ADAPTER		Sr/Nr 096001 and after	
25	+	900802-06001	2	BEARING, BALL 6001	6001DDU(LLU)	Sr/Nr 096000 and before	
25	+	900810-06200	1	BEARING, BALL 6200	6200	Sr/Nr 096001 and after	
26	+	900811-06200	1	BEARING, BALL 6200	6200DU(LU)	Sus. by 94061-06200	
26	+	94061-06200	1	BEARING, BALL	BB6200 LU,DU	Sr/Nr 096001 and after	
27	+	900702-00028	1	CIRCLIP 28	CR-28	Sr/Nr 096000 and before	
27	+	900702-00030	1	CIRCLIP 30	CR-30	Sr/Nr 096001 and after	
28	+	900513-00012	1	NUT 12*1.25 3N L-H	3N12*1.25	Sr/Nr 096000 and before	
29	+	610315-06530	1	SPACER		Sr/Nr 096000 and before	
30	+	900305-30006	1	PIN 3*6	3*6	Sr/Nr 096000 and before	
43		895612-03430	1	L-WRENCH (3MM)			
44		897518-01131	1	LOCKING TOOL		OPTION	

6. Gear Case, Shield, Tools

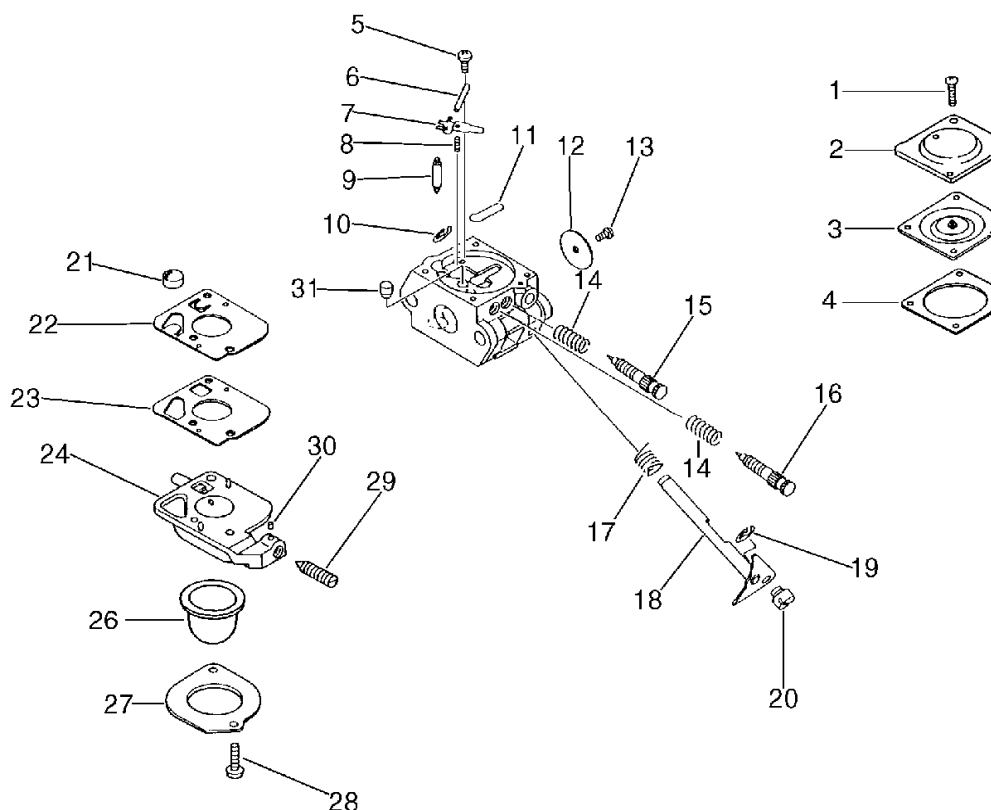
No.6



KEY	LV	PART NUMBER	Q'TY	DESCRIPTION	REMARKS	NOTE1	NOTE2
45		899580-68730	1	SAFETY GLASSES		Sus. by X690-000030	
45		X690-000030	1	GOGGLE			

7. Carburetor [Sr/Nr 110789 and before]

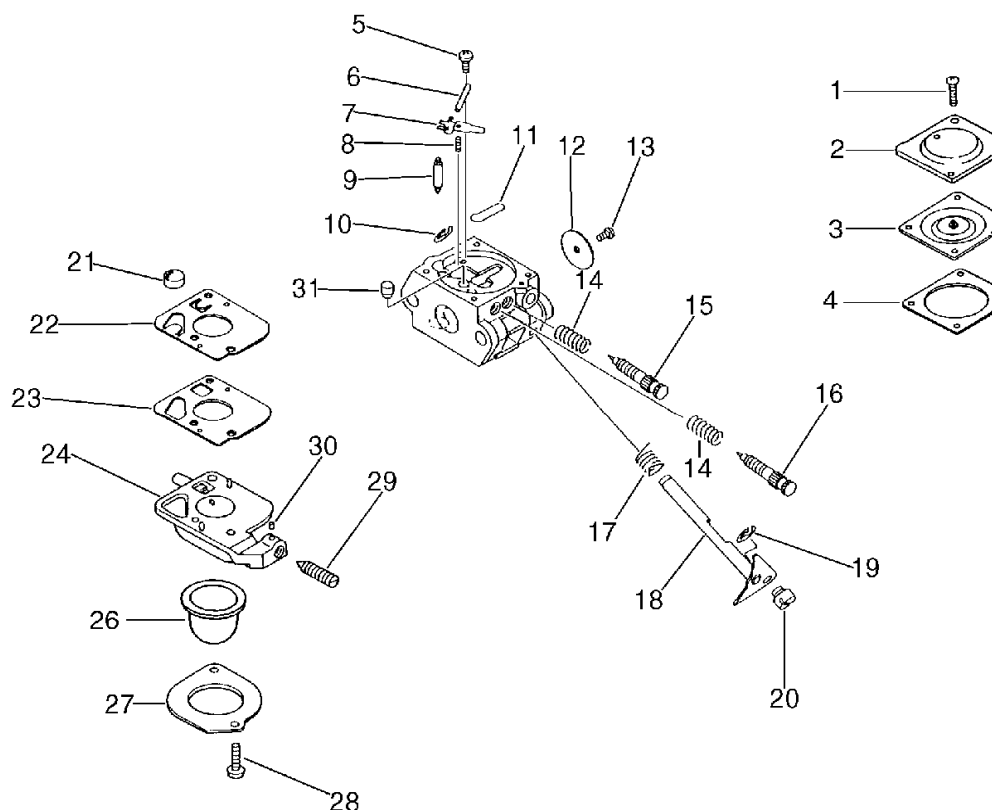
No.7



KEY	LV	PART NUMBER	Q'TY	DESCRIPTION	REMARKS	NOTE1	NOTE2
		125200-52131	1	CARBURETOR ASSY	C1U-K23B	Sr/Nr 110789 and before	
1	+	125344-13931	2	SCREW			
2	+	125342-52130	1	COVER, DIAPHRAGM		Sus. by 125342-13210	
2	+	125342-13210	1	COVER, DIAPHRAGM			
3	+	125341-42030	1	DIAPHRAGM			
4	+	125340-51030	1	GASKET, DIAPHRAGM			
5	+	125339-42030	1	SCREW			
6	+	125338-13930	1	PIN, METERING ARM			
7	+	125323-42030	1	LEVER, METERING			
8	+	125322-11520	1	SPRING, COIL			
9	+	125337-06960	1	VALVE, INLET NEEDLE			
10	+	125327-15130	1	CLIP			
11	+	125345-15130	1	PLUG, WELCH			
12	+	125316-51230	1	VALVE, THROTTLE			
13	+	125314-51230	1	SCREW	3*4.5		
14	+	125319-42030	2	SPRING, COIL			
15	+	125318-51030	1	NEEDLE, IDLE			
16	+	125320-51230	1	NEEDLE, HIGH SPEED			
17	+	125313-42030	1	SPRING, THRT. RETURN			
18	+	125317-42030	1	SHAFT, THROTTLE			
19	+	125327-13930	1	CLIP			
20	+	125372-42030	1	SWIVEL			
21	+	125326-42030	1	STRAINER			
22	+	125312-42030	1	DIAPHRAGM, FUEL PUMP			

7. Carburetor [Sr/Nr 110789 and before]

No.7



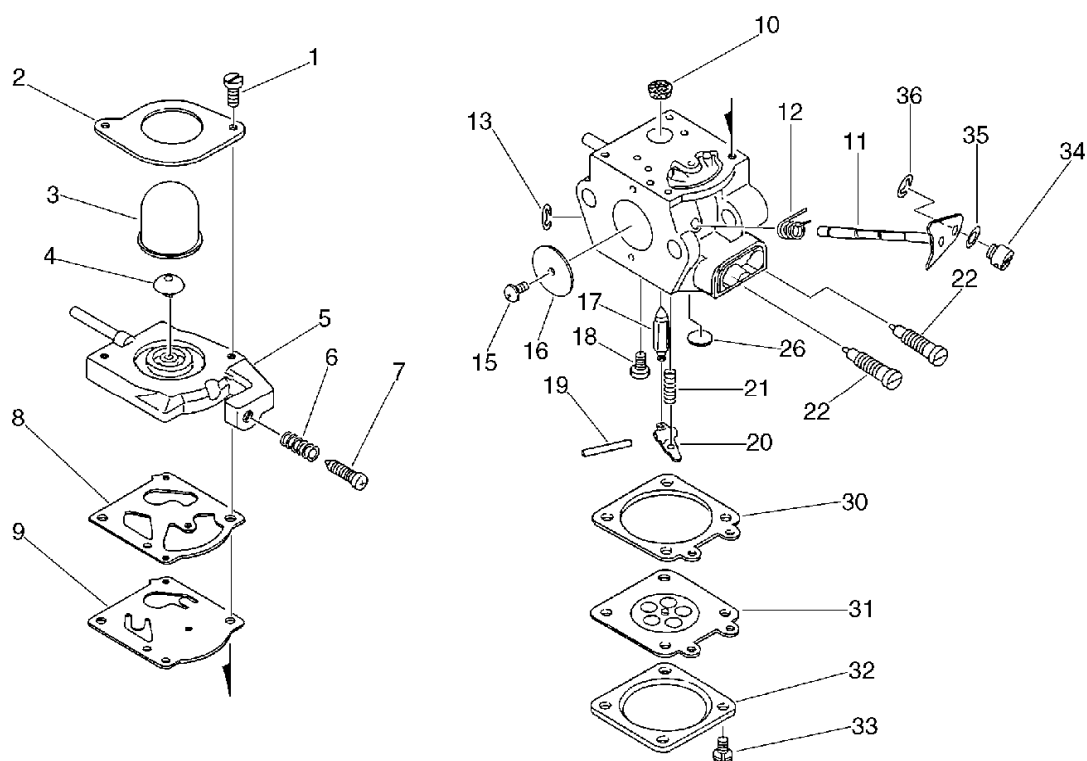
KEY	LV	PART NUMBER	Q'TY	DESCRIPTION	REMARKS	NOTE1	NOTE2
23	+	125325-42030	1	GASKET, FUEL PUMP		Sus. by 125325-13310	
23	+	125325-13310	1	GASKET, PUMP			
24	+	125324-11610	1	COVER, PUMP		Sus. by 125383-13310	
24	+	125383-13310	1	BASE, PRIMER			
26	+	125381-46730	1	PUMP, PRIMING		Sus. by 125381-08660	
26	+	125381-08660	1	PUMP, PRIMING			
27	+	125363-11610	1	RING			
28	+	125310-11610	2	SCREW			
29	+	125334-13930	1	SCREW, IDLE ADJUST			
30	+	125378-13930	1	PIECE, FRICTION			
31	+	125376-51030	1	NOZZLE, CHECK VALVE			
		125303-51030	1	GASKET/DIAPHRAGM KIT			
		125300-51030	1	REBUILD KIT			

8. Repair Kit

KEY	LV	PART NUMBER	Q'TY	DESCRIPTION	REMARKS	NOTE1	NOTE2
		125303-51030	1	GASKET/DIAPHRAGM KIT			
7-3	+	125341-42030	1	DIAPHRAGM			
7-4	+	125340-51030	1	GASKET, DIAPHRAGM			
7-22	+	125312-42030	1	DIAPHRAGM, FUEL PUMP			
	+	125325-42030	1	GASKET, FUEL PUMP		Sus. by 125325-13310	
7-23	+	125325-13310	1	GASKET, PUMP			
		125300-51030	1	REBUILD KIT			
7-22	+	125312-42030	1	DIAPHRAGM, FUEL PUMP			
7-8	+	125322-11520	1	SPRING, COIL			
7-7	+	125323-42030	1	LEVER, METERING			
	+	125325-42030	1	GASKET, FUEL PUMP		Sus. by 125325-13310	
7-3	+	125341-42030	1	DIAPHRAGM			
7-4	+	125340-51030	1	GASKET, DIAPHRAGM			
7-6	+	125338-13930	1	PIN, METERING ARM			
7-9	+	125337-06960	1	VALVE, INLET NEEDLE			
7-11	+	125345-15130	1	PLUG, WELCH			
7-21	+	125326-42030	1	STRAINER			
7-23	+	125325-13310	1	GASKET, PUMP			

9. Carburetor [Sr/Nr 110790 and after]

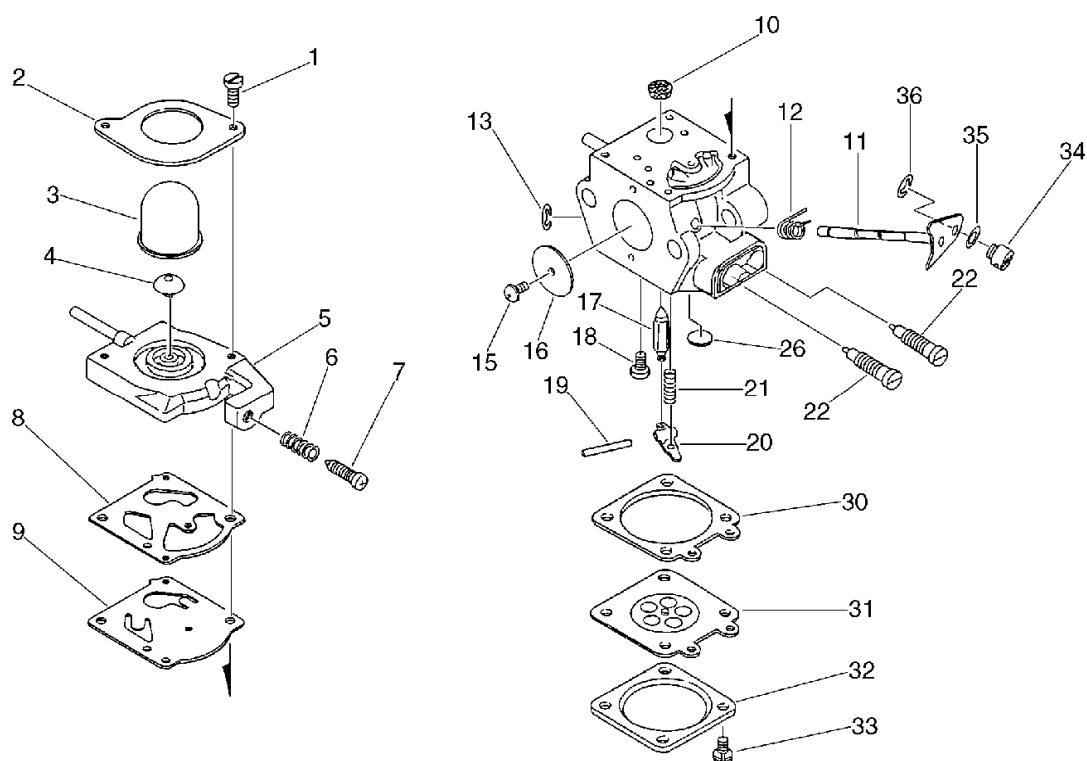
No.9



KEY	LV	PART NUMBER	Q'TY	DESCRIPTION	REMARKS	NOTE1	NOTE2
		123000-52131	1	CARBURETOR ASSY	WT-424A	Sus. by 123000-52133	
		123000-52132	1	CARBURETOR ASSY	WT424B	Sus. by 123000-52133	
		123000-52133	1	CARBURETOR WT-424C	WT-424C		
1	+	123110-43130	2	SCREW			
2	+	123142-09560	1	COVER, PRIMER PUMP			
3	+	123181-09560	1	PUMP, PRIMER			
4	+	123171-35630	1	VALVE, CHECK			
5	+	123124-43230	1	COVER, FUEL PUMP			
6	+	123133-04260	1	SPRING, IDLE ADJUST			
7	+	123134-04260	1	SCREW, IDLE ADJUST			
8	+	123125-09560	1	GASKET, FUEL PUMP			
9	+	123112-09560	1	DIAPHRAGM, FUEL PUMP			
10	+	123126-10631	1	SCREEN, INLET			
11	+	123117-52130	1	SHAFT, THROTTLE			
12	+	123113-52130	1	SPRING, THE RTN			
13	+	123127-15030	1	RING			
15	+	123114-03930	1	SCREW		Can be used on the 123000-52131 only	
15	+	123114-38830	1	SCREW		Can be used on 123000-52132 and -52133	
16	+	123116-53130	1	VALVE, THROTTLE			
17	+	123137-19830	1	VALVE, INLET NEEDLE			

9. Carburetor [Sr/Nr 110790 and after]

No.9



KEY	LV	PART NUMBER	Q'TY	DESCRIPTION	REMARKS	NOTE1	NOTE2
18	+	123139-03930	1	SCREW, M. LEVER PIN			
19	+	123138-03930	1	PIN, METERING LEVER			
20	+	123123-03930	1	LEVER, METERING			
21	+	123122-39330	1	SPRING, METER. LEVER			
22	+	123120-52130	2	NEEDLE, HIGH SPEED		Can be used on the 123000-52131 only	
22	+	123120-52131	2	NEEDLE, HIGH SPEED		Can be used on 123000-52132 and -52133	
26	+	123146-10631	1	PLUG, WELCH			
30	+	123140-03930	1	GASKET, M. DIAPHRAGM			
31	+	123141-03930	1	DIAPHRAGM, METERING			
32	+	123142-03930	1	COVER, M. DIAPHRAGM			
33	+	123130-02960	4	SCREW			
34	+	123172-26030	1	SWIVEL			
35	+	123149-26030	1	WASHER			
36	+	123173-07930	1	CLIP			

Index

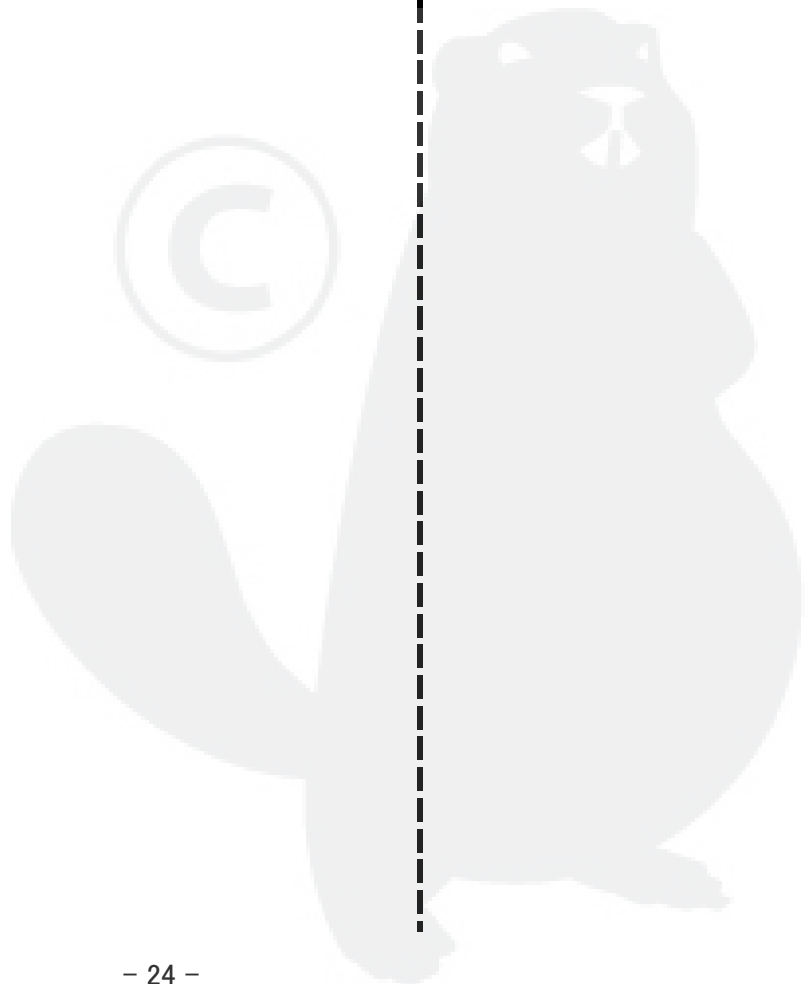
Patrs Number	Key No.	Patrs Number	Key No.	Patrs Number	Key No.
100000-09561	1 - 8	123134-04260	9 - 7	125338-13930	7 - 6
100000-09563	1 - 8	123137-19830	9 - 17	125338-13930	8 - 7-6
100011-09560	1 - 9	123138-03930	9 - 19	125339-42030	7 - 5
100011-09560	1 - 9	123139-03930	9 - 18	125340-51030	7 - 4
100012-51230	1 - 4	123140-03930	9 - 30	125340-51030	8 - 7-4
100013-11520	1 - 10	123141-03930	9 - 31	125340-51030	8 - 7-4
100014-11520	1 - 12	123142-03930	9 - 32	125341-42030	7 - 3
100015-04630	1 - 11	123142-09560	9 - 2	125341-42030	8 - 7-3
100015-04630	1 - 11	123146-10631	9 - 26	125341-42030	8 - 7-3
100100-44732	1 - 17	123149-26030	9 - 35	125342-13210	7 - 2
100100-52131	1 - 17	123171-35630	9 - 4	125342-52130	7 - 2
100204-52130	1 - 14	123172-26030	9 - 34	125344-13931	7 - 1
100204-52131	1 - 14	123173-07930	9 - 36	125345-15130	7 - 11
100204-52132	1 - 14	123181-09560	9 - 3	125345-15130	8 - 7-11
100212-42030	1 - 13	125200-52131	3 - 10	125363-11610	7 - 27
100212-42031	1 - 13	125200-52131	7 -	125372-42030	7 - 20
100215-03930	1 - 15	125300-51030	7 -	125376-51030	7 - 31
100242-42030	1 - 18	125300-51030	8 -	125378-13930	7 - 30
101003-08960	1 - 3	125303-51030	7 -	125381-08660	7 - 26
101010-44331	1 - 7	125303-51030	8 -	125381-46730	7 - 26
101010-44332	1 - 7	125310-11610	7 - 28	125383-13310	7 - 24
101011-08960	1 - 5	125312-42030	7 - 22	129011-05060	3 - 16
101011-08961	1 - 5	125312-42030	8 - 7-22	129011-06360	3 - 16
101011-09560	1 - 5	125312-42030	8 - 7-22	129011-52730	3 - 16
101503-52131	1 - 25	125313-42030	7 - 17	130010-05960	3 - 9
101514-48930	1 - 23	125314-51230	7 - 13	130010-42032	3 - 5
123000-52131	3 - 10	125316-51230	7 - 12	130016-42031	3 - 9
123000-52131	9 -	125317-42030	7 - 18	130017-42031	3 - 7
123000-52132	3 - 10	125318-51030	7 - 15	130307-06561	3 - 14
123000-52132	9 -	125319-42030	7 - 14	130310-54130	3 - 19
123000-52133	3 - 10	125320-51230	7 - 16	130313-06561	3 - 21
123000-52133	9 -	125322-11520	7 - 8	130313-06563	3 - 21
123110-43130	9 - 1	125322-11520	8 - 7-8	131004-06560	4 - 16
123112-09560	9 - 9	125323-42030	7 - 7	131004-08960	4 - 16
123113-52130	9 - 12	125323-42030	8 - 7-7	131005-44330	4 - 15
123114-03930	9 - 15	125324-11610	7 - 24	131005-44331	4 - 15
123114-38830	9 - 15	125325-13310	7 - 23	131005-46830	4 - 15
123116-53130	9 - 16	125325-13310	8 - 7-23	131005-46831	4 - 15
123117-52130	9 - 11	125325-13310	8 - 7-23	131016-40930	4 - 17
123120-52130	9 - 22	125325-42030	7 - 23	131016-55830	4 - 17
123120-52131	9 - 22	125325-42030	8 -	131051-52430	4 - 20
123122-39330	9 - 21	125325-42030	8 -	131205-07320	4 - 10
123123-03930	9 - 20	125326-42030	7 - 21	131300-40630	4 - 5
123124-43230	9 - 5	125326-42030	8 - 7-21	131300-56430	4 - 5
123125-09560	9 - 8	125327-13930	7 - 19	131312-39130	4 - 7
123126-10631	9 - 10	125327-15130	7 - 10	131312-44330	4 - 7
123127-15030	9 - 13	125334-13930	7 - 29	132010-13930	4 - 11
123130-02960	9 - 33	125337-06960	7 - 9	132010-56330	4 - 6
123133-04260	9 - 6	125337-06960	8 - 7-9	132012-46730	4 - 6

Index

Patrs Number	Key No.	Patrs Number	Key No.	Patrs Number	Key No.
132012-56030	4 - 6	178043-42230	5 - 23	895612-03430	6 - 43
132013-09820	4 - 9	178090-52630	5 - 17	897518-01131	6 - 44
132115-46730	4 - 8	178090-52631	5 - 17	899580-68730	6 - 45
145510-42031	3 - 30	178090-52632	5 - 17	900017-08064	6 - 14
145631-42030	3 - 31	178127-50330	5 - 34	900033-00008	6 - 12
145802-21560	3 - 32	210417-52730	3 - 22	900035-00008	6 - 13
145818-52130	3 - 29	301000-52731	5 - 41	900100-05018	5 - 11
145866-42031	3 - 25	301016-52730	5 - 42	900100-06040	5 - 7
145871-44331	3 - 31	301201-52730	5 - 12	900100-06050	6 - 14
145876-42030	3 - 26	301207-23330	5 - 10	900105-05055	3 - 23
156112-40630	2 - 13	305110-42030	4 - 18	900142-05025	1 - 42
156601-44731	2 - 9	351201-50630	5 - 1	900152-05025	6 - 20
156601-52130	2 - 9	351210-51730	5 - 3	900162-04016	1 - 20
156626-09660	2 - 9	351213-51730	5 - 2	900162-04016	1 - 26
156626-52730	2 - 9	351213-52730	5 - 18	900162-04016	2 - 35
156801-09660	2 - 7	610013-23330	5 - 38	900162-04022	2 - 8
156801-44731	2 - 7	610210-23331	5 - 36	900162-05022	1 - 6
159011-03432	2 - 11	610217-44530	5 - 37	900162-05028	1 - 19
159012-03433	2 - 10	610272-52730	5 - 30	900163-04016	1 - 20
159017-10230	2 - 12	610281-52730	5 - 39	900163-04016	1 - 26
159912-54130	1 - 22	610305-52430	6 - 24	900163-04016	2 - 35
162010-52830	2 - 16	610310-09630	6 - 23	900238-04010	3 - 27
163400-49230	5 - 15	610310-52430	6 - 23	900238-05016	1 - 21
175000-42031	2 - 6	610313-09630	6 - 24	900238-05016	4 - 12
175000-49030	2 - 6	610315-06530	6 - 29	900238-05016	6 - 5
175000-56830	2 - 6	610400-09630	6 - 19	900238-05020	3 - 8
175005-48930	1 - 33	610404-52430	6 - 19	900242-04010	6 - 21
175005-48931	1 - 33	610410-09630	6 - 22	900242-05014	5 - 13
177200-42032	2 - 26	610410-52430	6 - 22	900242-05016	6 - 5
177200-42033	2 - 26	610903-52130	1 - 39	900242-05025	5 - 21
177202-44330	2 - 20	610910-52730	1 - 37	900242-05028	5 - 31
177202-44331	2 - 20	610922-51030	1 - 41	900242-05035	5 - 20
177215-42030	2 - 29	610923-52130	1 - 40	900242-05065	3 - 17
177215-44430	2 - 29	699004-40631	6 - 10	900246-05030	5 - 6
177218-42030	2 - 24	699004-52730	6 - 10	900253-04020	5 - 40
177220-42030	2 - 33	699010-40631	6 - 6	900305-30006	6 - 30
177226-10120	2 - 30	699010-44330	6 - 6	900500-00005	3 - 6
177227-42030	2 - 31	699012-03330	5 - 9	900500-00005	5 - 22
177228-06530	2 - 32	699016-44330	6 - 8	900500-00005	5 - 22
177234-12220	2 - 23	890112-52730	1 - 24	900500-00005	6 - 7
177234-42030	2 - 23	890118-49130	2 - 36	900502-00006	5 - 35
177236-44330	2 - 27	890121-05360	3 - 15	900513-00012	6 - 28
178001-44430	5 - 33	890152-04930	5 - 32	900525-00006	5 - 4
178001-56730	5 - 33	890157-39130	5 - 25	900525-00006	6 - 12
178003-52730	5 - 19	890168-44330	6 - 9	900528-00005	3 - 22
178003-52731	5 - 19	890332-52730	3 - 18	900600-00005	3 - 24
178010-52130	5 - 24	890334-52730	3 - 15	900600-00006	5 - 5
178012-52730	5 - 14	890617-52730	5 - 8	900600-00006	6 - 13
178013-52630	5 - 16	890617-63630	5 - 8	900603-00005	4 - 14

Index

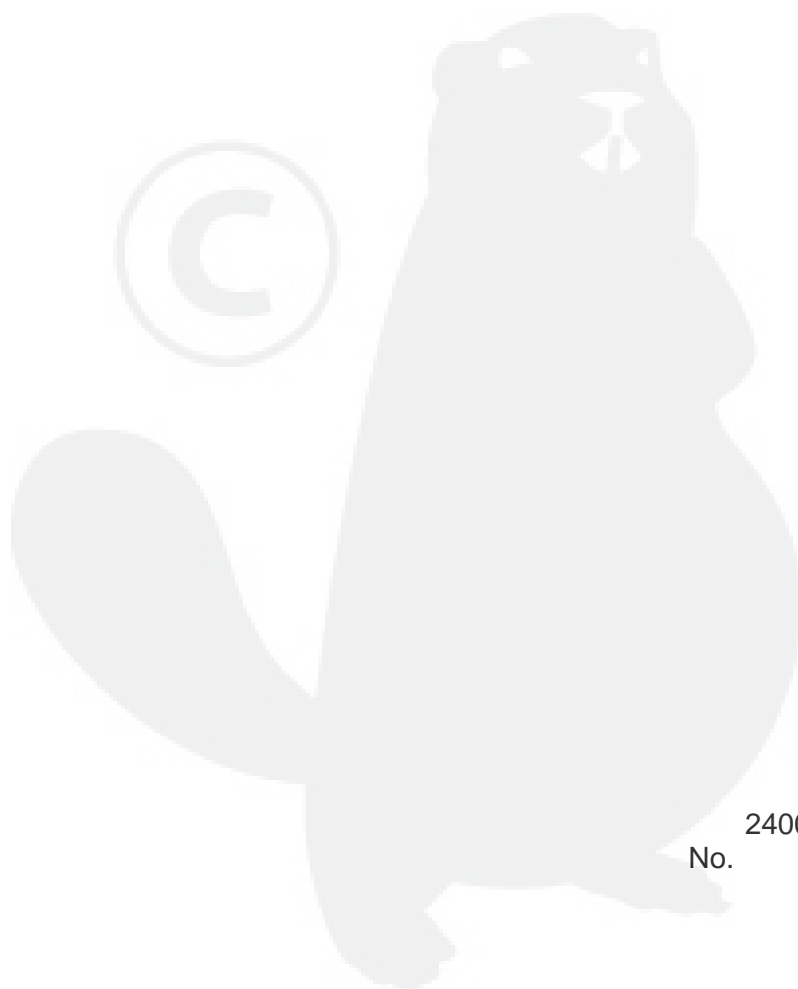
Patrs Number	Key No.	Patrs Number	Key No.	Patrs Number	Key No.
900701-00012	1 - 36				
900702-00028	1 - 34				
900702-00028	6 - 27				
900702-00030	6 - 27				
900802-06001	6 - 25				
900807-06001	1 - 35				
900810-06200	6 - 25				
900810-36201	1 - 16				
900811-06200	6 - 26				
94035-36201	1 - 16				
94061-06200	6 - 26				
A011-000100	1 - 17				
A011-000101	1 - 17				
A320-000250	3 - 31				
A320-000251	3 - 31				
A356-000030	4 - 5				
C062-000100	5 - 41				
V104-000160	3 - 30				
V137-000030	4 - 8				
V471-001190	4 - 11				
V471-001200	4 - 7				
V553-000010	1 - 4				
V622-000020	1 - 15				
X505-000140	5 - 8				
X690-000030	6 - 45				



YAMABIKO CORPORATION

7-2 SUEHIROCHO 1-CHOME, OHME, TOKYO 198-8760, JAPAN
PHONE: 81-428-32-6118. FAX: 81-428-32-6145.

ECHO®



2400
No.