



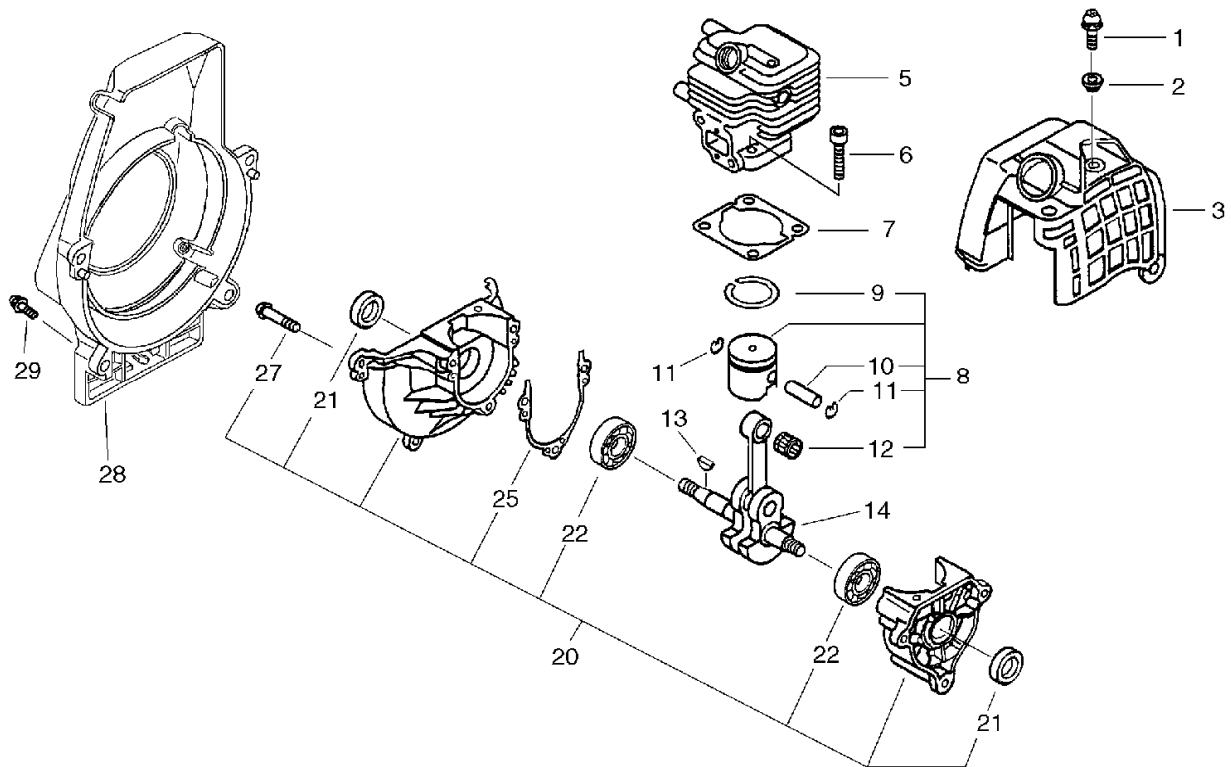
PARTS CATALOG

POWER SPRAYER SHR-150SI(36)

36005490 -

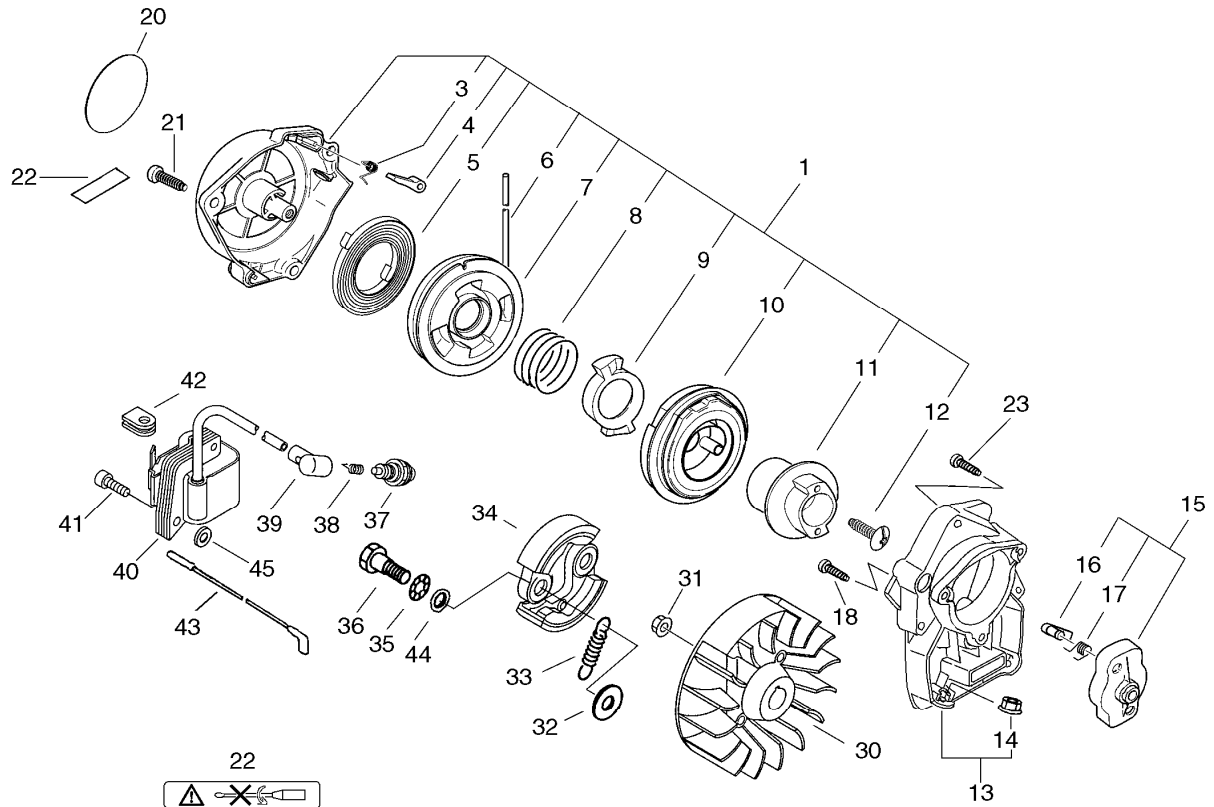
P014-000090-10Hb

1. CYLINDER, CRANKCASE, PISTON



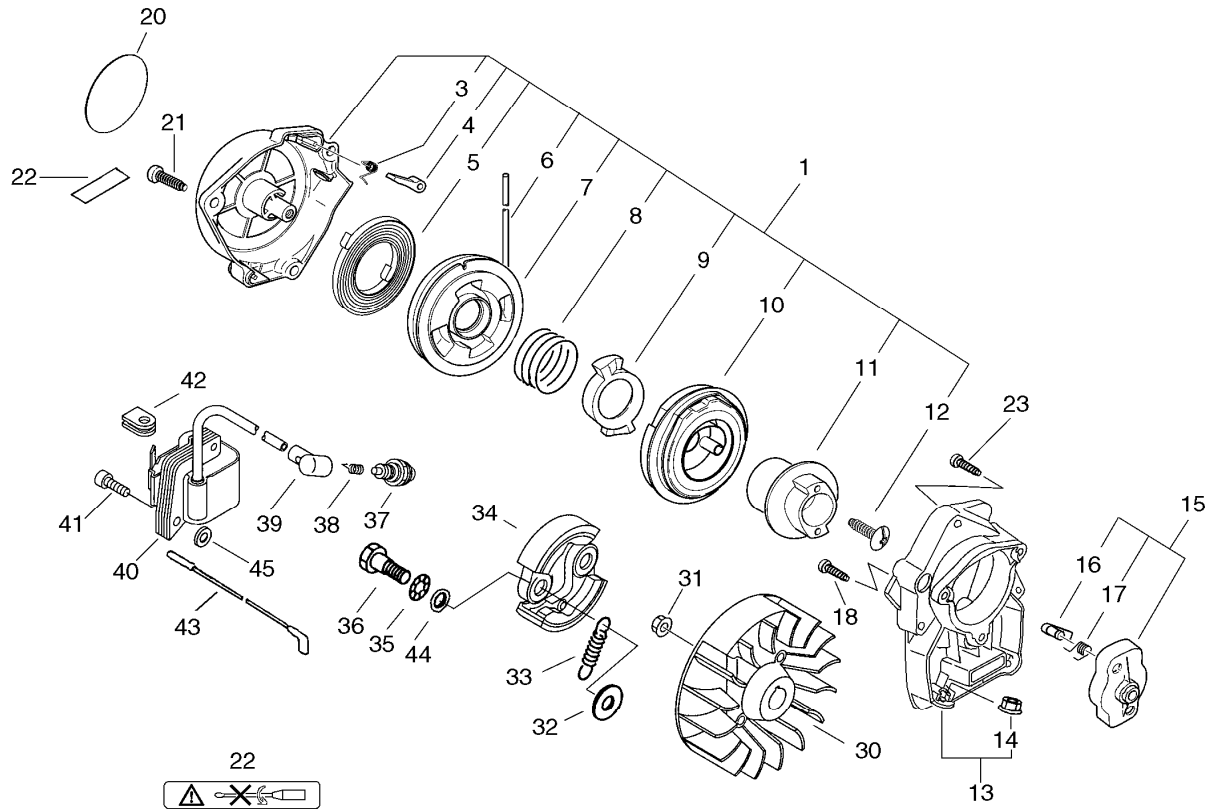
KEY	LV	PART NUMBER	Q'TY	DESCRIPTION	REMARKS	NOTE1	NOTE2
1		900239-05018	1	SCREW 5*18	5*18		
2		V323-000060	1	WASHER,CIRCULAR 5			
3		101514-61831	1	COVER, CYLINDER			
5		A130-000611	1	CYLINDER			
6		900162-05020	2	BOLT, H.S. 5*20	5*20 W,SW		
7		V100-000120	1	GASKET,CYL			
8		P021-014760	1	PISTON KIT			
9	+	A101-000090	1	RING,PISTON			
10	+	100013-61830	1	PIN, PISTON			
11	+	100015-61830	2	RING, SNAP			
12	+	100012-61830	1	BEARING, NEEDLE			
13		100142-12330	1	KEY, WOODRUFF			
14		100100-61831	1	CRANKSHAFT			
20		P021-004340	1	CRANK CASE KIT			
21	+	100212-61830	2	OILSEAL	ISCD 10*20*5		
22	+	900810-36000	2	BEARING, BALL			
25	+	100242-61830	1	GASKET, CRANKCASE			
27	+	900162-05025	3	BOLT, H.S. 5*25	5*25 W,SW		
28		A172-000370	1	COVER,FAN			
29		900239-05016	4	SCREW 5*16	5*16		

2. STARTER, MAGNETO, CLUTCH



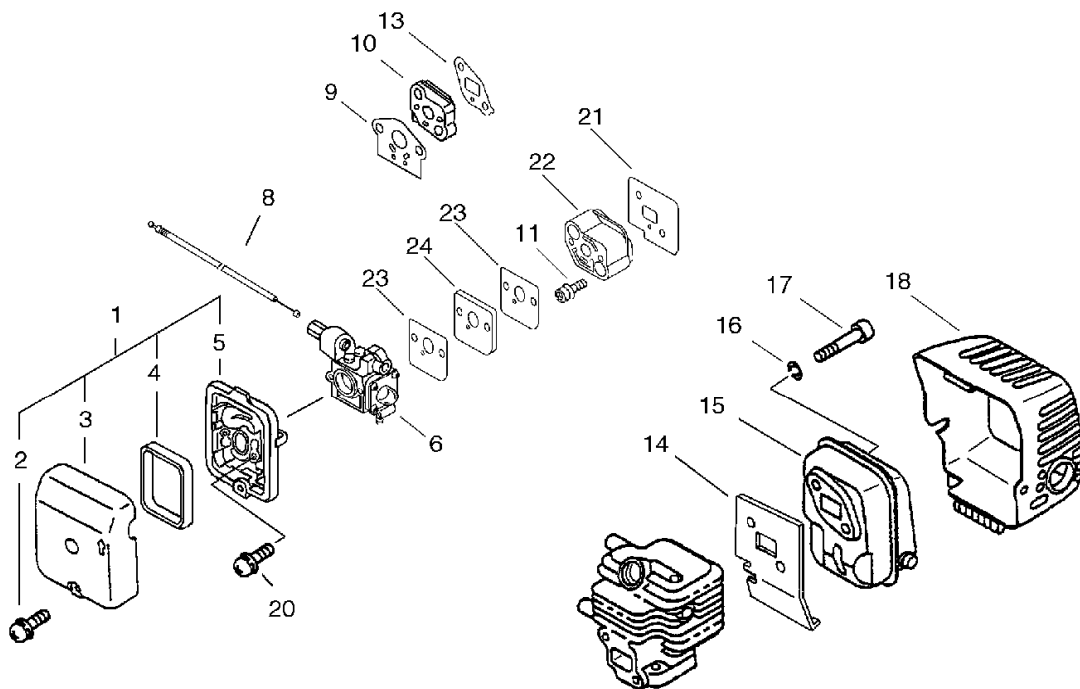
KEY	LV	PART NUMBER	Q'TY	DESCRIPTION	REMARKS	NOTE1	NOTE2
1		A051-000571	1	STARTER,RECOIL			
3	+	P022-004610	2	SPRING, RETURN			
4	+	P022-004620	2	PAWL, STARTER			
5	+	P022-004680	1	SPRING, SPIRAL			
6	+	P022-006430	1	ROPE, STARTER			
7	+	P022-004690	1	REEL, ROPE			
8	+	P022-004660	1	SPRING, RETURN			
9	+	P022-004670	1	PAWL, STARTER			
10	+	P022-005230	1	COMPLETE, SPRING			
11	+	P022-004640	1	PLATE, CAM			
12	+	P022-004630	1	SCREW			
13		V376-000460	1	SPACER			
14	+	900515-00006	2	NUT, FLANGE 6	6		
15		A052-000140	1	PULLEY, ASM STARTER			
16	+	P022-005080	2	PAWL, STARTER	WHITE		
17	+	177234-12220	2	SPRING, PAWL			
18		900239-05022	1	SCREW 5*22	5*22		
20		X502-000460	1	LABEL, ECHO			
21		900253-05020	3	SCREW 5*20	5*20		
22		X505-000620	1	LABEL, CAUTION			
23		900239-05016	2	SCREW 5*16	5*16		
30		A409-000180	1	ROTOR, MAGNETO			
31		900515-00006	1	NUT, FLANGE 6	6		
32		175048-05530	2	WASHER (I)	6.2*19*1.0		
33		V451-000040	1	SPRING, TENSION	5.9KGF		
34		175009-55931	2	SHOE, CLUTCH			

2. STARTER, MAGNETO, CLUTCH



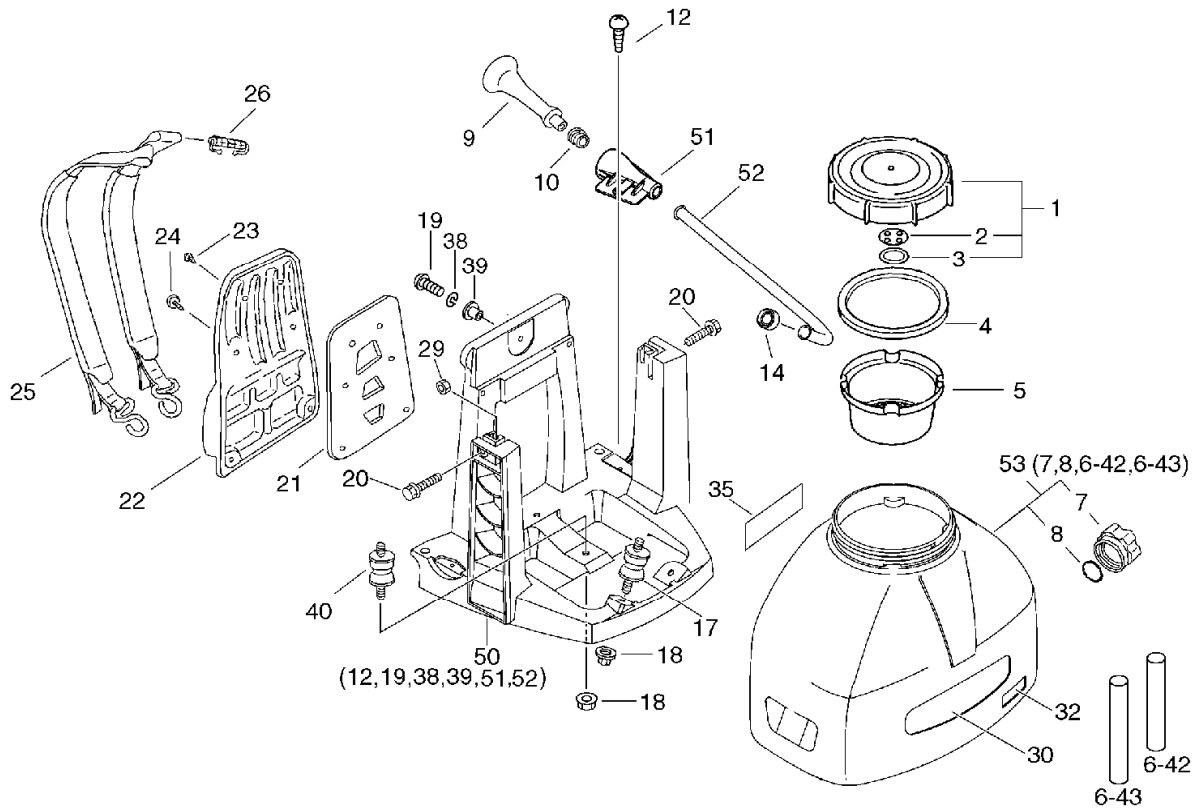
KEY	LV	PART NUMBER	Q'TY	DESCRIPTION	REMARKS	NOTE1	NOTE2
35		175049-56030	2	WASHER	8.5*16*0.5		
36		175046-56030	2	SHAFT, CLUTCH			
37		159010-10230	1	PLUG, SPARK (BPMR-7A)	BPMR-7A		
38		159011-03432	1	COIL, SPARK PLUG			
39		159012-03433	1	CAP, SPARK PLUG			
40		156626-61831	1	COIL, IGNITION			
41		91128-04022	2	BOLT HSH	CM-4*22		
42		156112-61831	1	GROMMET, H.T.CORD			
43		V485-000410	1	LEAD			
44		V306-000020	2	WASHER,CIRCULAR 8	8.2*17*0.2		
45		150117-09130	2	SPACER			

3. AIR CLEANER, MUFFLER



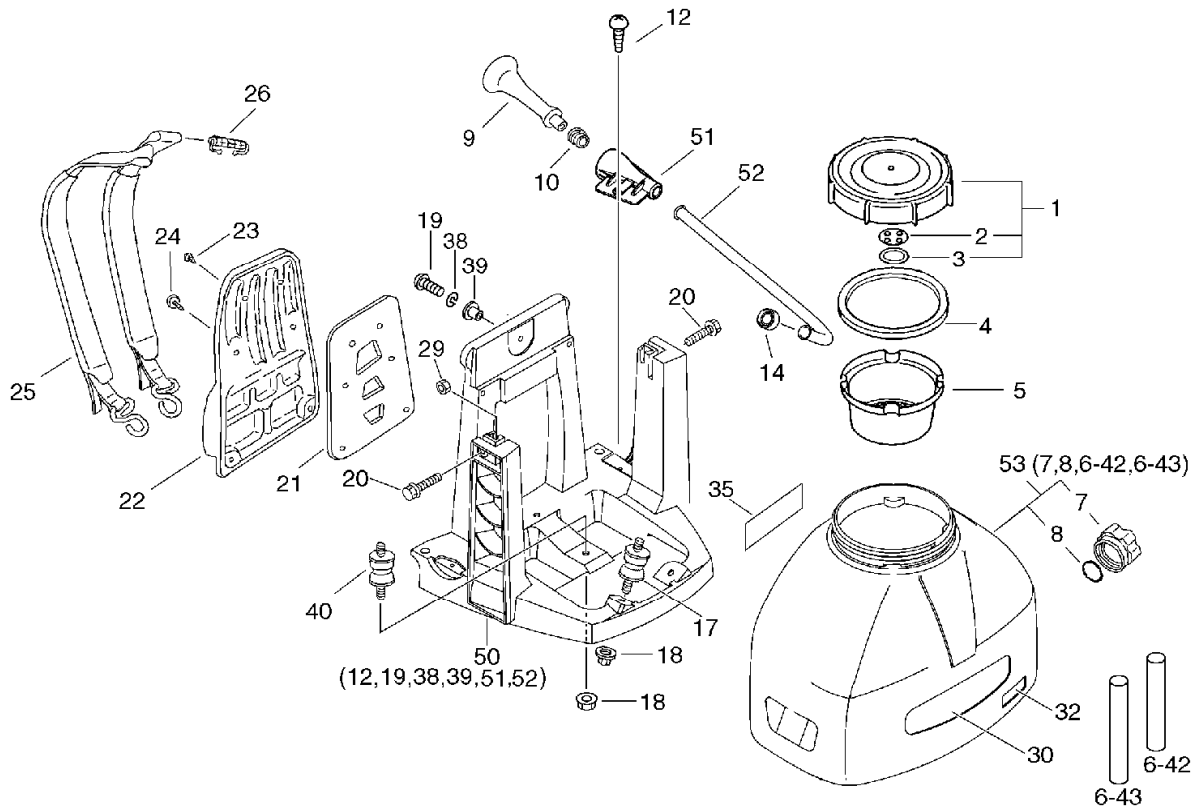
KEY	LV	PART NUMBER	Q'TY	DESCRIPTION	REMARKS	NOTE1	NOTE2
1		A027-000020	1	CLEANER,ASM AIR			
2	+	900238-05016	1	SCREW 5*16	5*16		
3	+	130308-13410	1	COVER, AIR CLEANER			
4	+	130310-13410	1	FILTER, AIR			
5	+	P022-006540	1	ASY,CLEANER BASE			
6		A021-000661	1	CARBURETOR,DIAPHRAGM	RB-K69A		
8		V430-000890	1	CABLE,BOWDEN			
11		900106-05020	2	BOLT, H.S. 5*20	5*20		
14		145510-61832	1	GASKET, MUFFLER			
15		P021-008731	1	MUFFLER ASY			
16		900600-00005	2	WASHER 5	5		
17		900105-05050	2	BOLT, H.S. 5*50	5*50		
18		145621-61832	1	COVER, MUFFLER			
20		900242-05060	2	SCREW 5*60	5*60		
21		V103-000190	1	GASKET,INTAKE			
22		A200-000160	1	INSULATOR,INTAKE			
23		V103-000230	2	GASKET,INTAKE			
24		A200-000210	1	INSULATOR,INTAKE			

4. CHEMICAL TANK, HARNESS



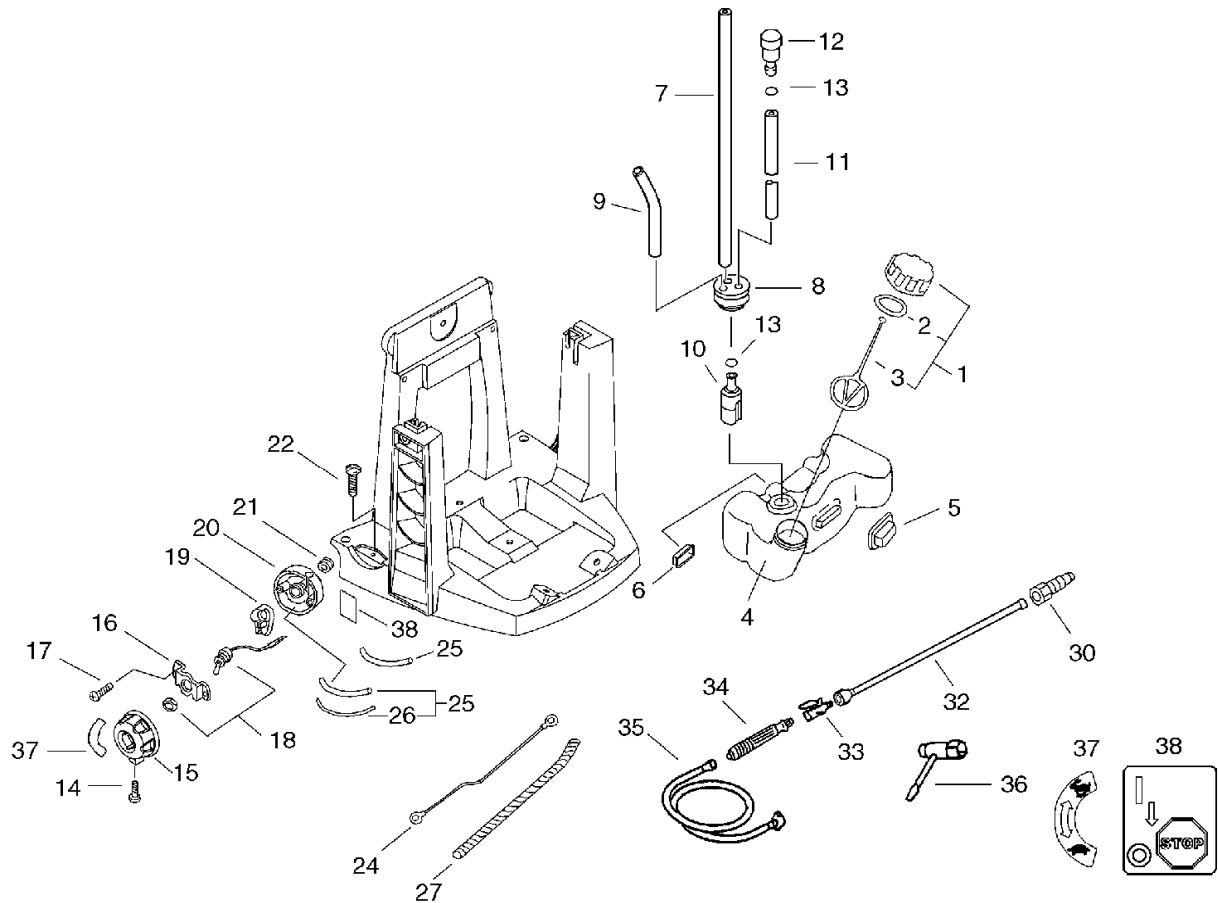
KEY	LV	PART NUMBER	Q'TY	DESCRIPTION	REMARKS	NOTE1	NOTE2
1		250001-14011	1	CAP, CHEMICAL TANK			
2	+	250026-11310	1	VALVE, AIR			
3	+	250027-11310	1	PACKING			
4		250011-01110	1	GASKET, CHMCL. TANK			
5		E220-000010	1	FILTER, TANK			
53		P021-014410	1	TANK, CHEMICAL, ASY			
53		P021-014411	1	TANK, CHEMICAL, ASY			
7	+	250211-11410	1	NUT, HOSE			
8	+	900720-30028	1	O-RING P-28 (F)	P-28		
9		A511-000050	1	GRIP, STARTER			
10		A510-000040	1	GUIDE, ROPE			
14		V420-000630	1	CUSHION			
50		P021-014851	1	FRAME, BACKPACK KIT			
19	+	900220-06015	1	SCREW +-SR 6*15	6*15		
38	+	900605-00006	1	WASHER, SPRING 6	6		
39	+	V354-000150	1	COLLAR, 6	7*9.2*6-14*2		
51	+	C405-000190	1	BRACKET, HANDLE			
52	+	A510-000080	1	GUIDE, ROPE	10*216		
12	+	91428-05020	1	SCREW TAPPING	5*20 SUS		
17		V402-000010	2	CUSHION, 6			
18		250916-06210	3	NUT			
20		900103-06020	2	BOLT, FLANGE 6*20	6*20		
21		C630-000030	1	SEAT, BACKPACK			
22		C630-000020	1	SEAT, BACKPACK			
23		300333-06160	2	CLIP			
24		V491-000090	4	CLIP			

4. CHEMICAL TANK, HARNESS



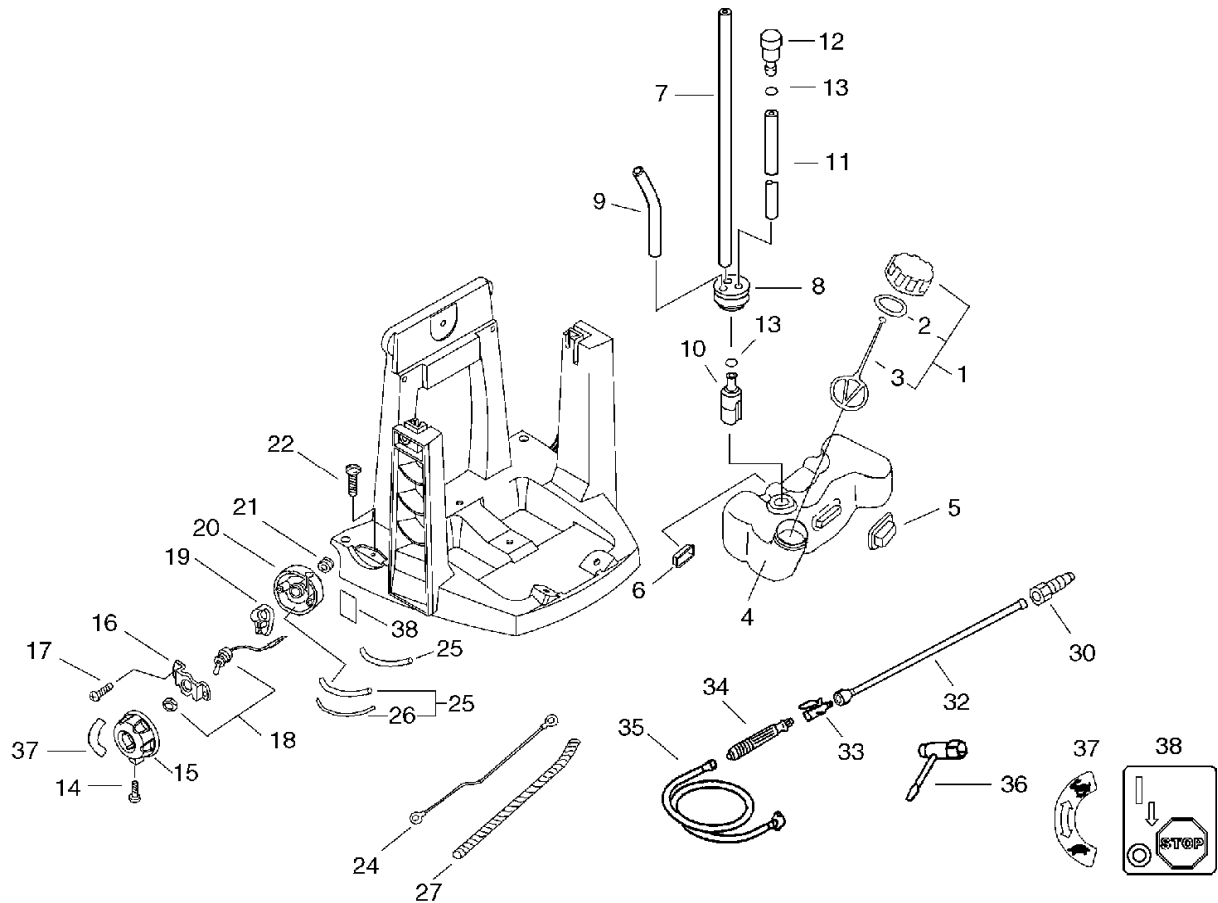
KEY	LV	PART NUMBER	Q'TY	DESCRIPTION	REMARKS	NOTE1	NOTE2
25		C061-000090	2	HARNESS,ASM BACKPACK			
26		V491-000040	2	CLIP			
29		900518-00006	2	NUT, FLANGE	6		
30		X502-000470	1	LABEL,ECHO			
32		X503-008370	1	LABEL,MODEL	SHR-150SI		
35		890617-13210	1	LABEL, CAUTION			
40		V402-000030	1	CUSHION,6			

5. FUEL TANK, NOZZLE



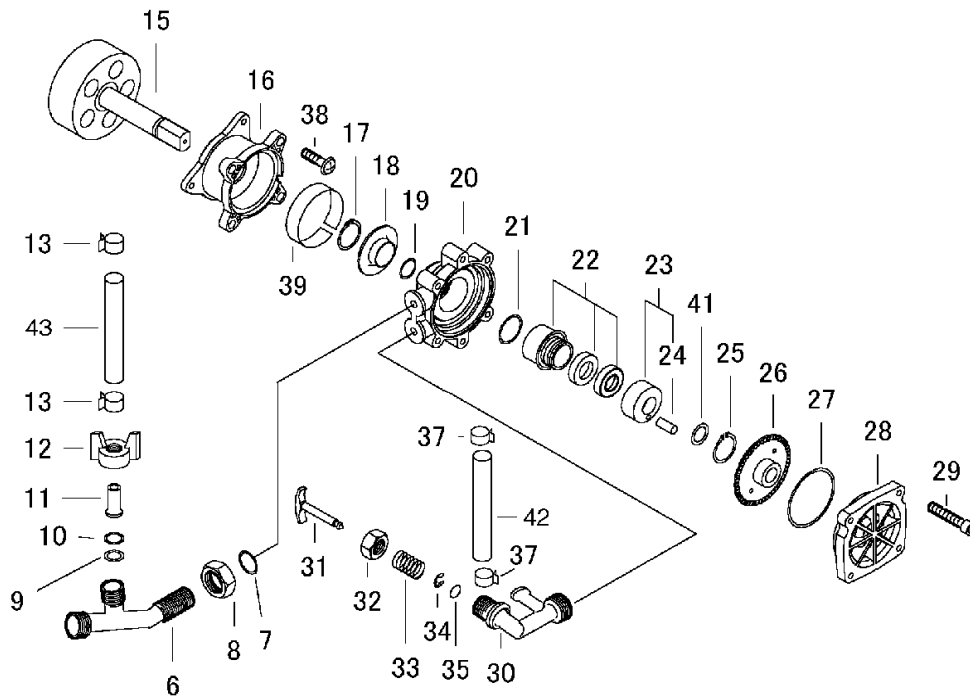
KEY	LV	PART NUMBER	Q'TY	DESCRIPTION	REMARKS	NOTE1	NOTE2
1		131004-55530	1	CAP ASSY, FUEL TANK			
2	+	131016-55830	1	GASKET, FUEL CAP			
3	+	131051-56030	1	CLIP, FUEL CAP	100L		
4		A350-000250	1	TANK,FUEL			
5		131920-61830	1	CUSHION, FUEL TANK			
6		131920-55430	2	CUSHION, FUEL TANK			
7		132010-52030	1	PIPE	3*6*170 NBR		
8		132115-46730	1	GROMMET, FUEL			
9		132010-56330	1	PIPE 3*6*90	3*6*90 YL		
10		131205-07320	1	STRAINER, FUEL			
11		V471-000110	1	PIPE	3*6*115		
12		131300-56430	1	VALVE, CHECK			
13		132013-26630	2	CLIP	6.5MM		
14		900253-04014	1	SCREW 4*14	4*14		
15		C473-000011	1	KNOB,THROTTLE			
16		A439-000100	1	BRACKET,SWITCH			
17		900252-04010	2	SCREW 4*10	4*10		
18		A440-000420	1	SWITCH,ON OFF			
19		C453-000080	1	LEVER,THROTTLE			
20		C471-000070	1	FIXTURE,TRIGGER			
21		150614-02910	1	GROMMET			
22		91428-05020	1	SCREW TAPPING	5*20 SUS		
24		V485-000400	1	LEAD			
25		P021-007120	1	SPRING,FLAT SET			
26	+	V453-000050	1	SPRING,FLAT			
27		V475-002740	1	TUBE	10*160L		

5. FUEL TANK, NOZZLE



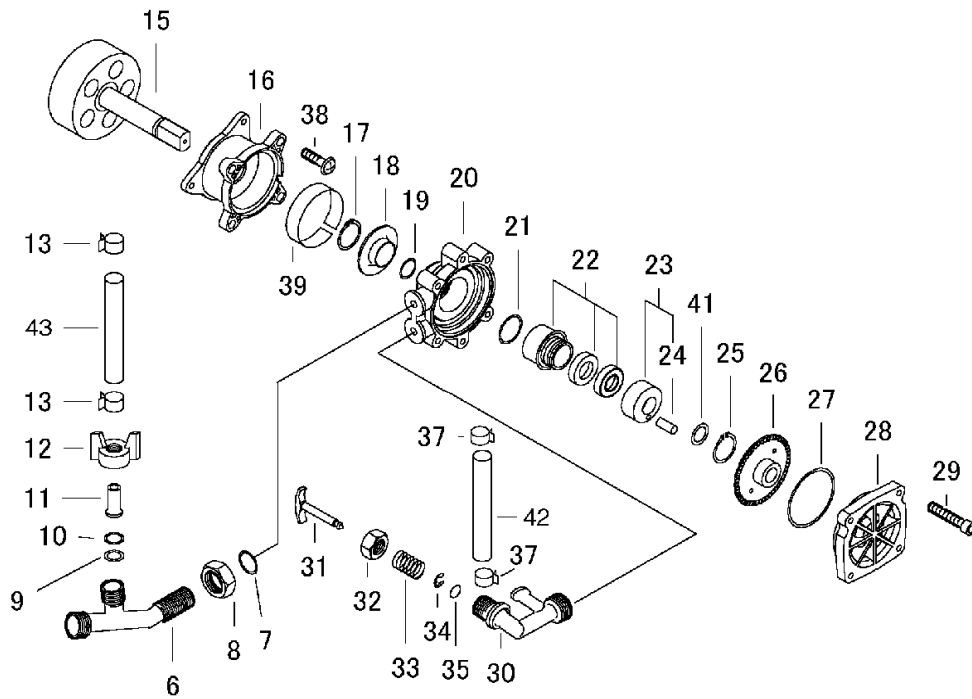
KEY	LV	PART NUMBER	Q'TY	DESCRIPTION	REMARKS	NOTE1	NOTE2
27		V475-002741	1	TUBE	11*14*160L		
30		224103-10610	1	NOZZLE, ADJUSTABLE			
30		E025-000470	1	NOZZLE, LIQUID			
32		E270-000030	1	PIPE, NOZZLE	AG2003-020		
33		E245-000070	1	COCK, LIQUID			
34		E271-000000	1	GRIP, NOZZLE			
35		384002-12710	1	HOSE 7.5*1.2M BL	7.5*1.2M BL		
36		895410-03930	1	WRENCH, W/S. DRIVER			
37		890015-13210	1	LABEL, THROTTLE			
38		890157-06560	1	LABEL, SWITCH			

6. PUMP



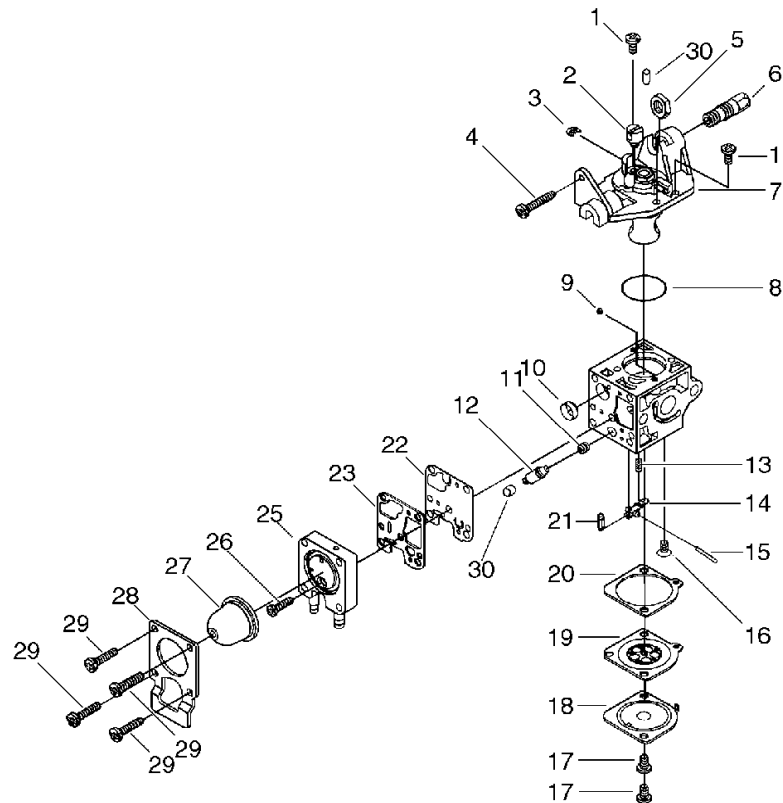
KEY	LV	PART NUMBER	Q'TY	DESCRIPTION	REMARKS	NOTE1	NOTE2
6		384013-11610	1	NIPPLE, OUTLET PUMP			
7		900722-00100	1	O-RING P-10A	P-10A(NBR)		
8		384029-10510	1	NUT	1/4		
9		386018-10510	1	WASHER,CIRCULAR			
10		386019-10510	1	GASKET,BYPASS NOZZLE			
11		386013-14010	1	NIPPLE, HOSE			
12		386015-10511	1	NUT, WING			
13		132013-14010	2	BAND	10.5MM		
43		V471-002120	1	PIPE	7*11*130		
15		A556-000240	1	DRUM,CLUTCH			
16		E202-000030	1	BASE,PUMP			
17		900701-00012	1	CIRCLIP 12	CS-12		
18		405114-10510	1	PLATE			
19		900724-30010	1	O-RING	S-10 4D		
20		E203-000012	1	CASE,PUMP			
21		900724-00029	1	O-RING (S-29)	S-29		
22		405100-11410	1	SEAL, UNIT			
23		P021-006750	1	COUPLING,SEAL UNIT			
24	+	405113-10510	1	PIN			
25		900704-00012	1	CIRCLIP 12	CS-12 SUS		
26		405110-10512	1	IMPELLER			
27		900724-30067	1	O-RING	S-67		
28		E205-000001	1	LID,PUMP			
29		900162-05040	4	BOLT, H.S. 5*40	5*40 W,SW		
30		E230-000081	1	NIPPLE,HOSE			
31		E412-000010	1	ROD,VALVE			

6. PUMP



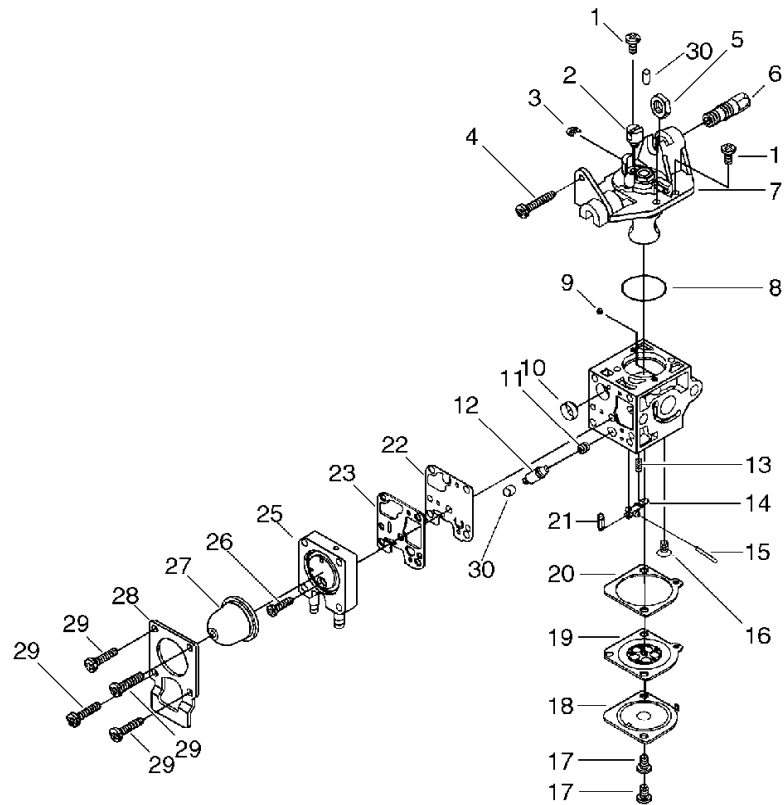
KEY	LV	PART NUMBER	Q'TY	DESCRIPTION	REMARKS	NOTE1	NOTE2
32		V270-000000	1	NUT,16			
33		V450-000310	1	SPRING,COMPRESSION			
34		900703-00004	1	E-RING 4 SUS	CE-4 SUS		
35		92500-00305	1	O-RING	P3 JI 92457050		
37		357013-14011	2	CLIP			
38		900239-05016	3	SCREW 5*16	5*16		
39		V420-000950	1	CUSHION			
41		400111-11410	1	WASHER	12.2*20*0.5		
42		V471-001340	1	PIPE	10*15*160		

7. CARBURETOR



KEY	LV	PART NUMBER	Q'TY	DESCRIPTION	REMARKS	NOTE1	NOTE2
		A021-000661	1	CARBURETOR,DIAPHRAGM	RB-K69A		
1	+	125344-13931	3	SCREW			
2	+	P005-001240	1	POST			
3	+	P005-000190	1	E-RING			
4	+	P005-000100	1	SCREW,THROTTLEADJUST			
6	+	P005-001330	1	SCREW, WIRE ADJUST			
7	+	P005-001880	1	COVER ASY, ROTOR			
8	+	P005-000280	1	O-RING			
9	+	P005-001000	1	ROLLER, GUIDE			
10	+	P005-000010	1	STRAINER			
11	+	P005-001260	1	SCREW,MAINN MIXTURE			
12	+	P005-001250	1	RETAINER,PLUG BALL			
13	+	125322-12620	1	SPRING, COIL			
14	+	125323-08260	1	ARM, VALVE			
15	+	125338-13930	1	PIN, METERING ARM			
16	+	125339-42030	1	SCREW			
17	+	125344-52130	2	SCREW			
18	+	125342-52130	1	COVER, DIAPHRAGM			
19	+	125341-42030	1	DIAPHRAGM			
20	+	P005-000200	1	GASKET, METERING			
21	+	125337-08260	1	VALVE, INLET NEEDLE			
22	+	P005-000510	1	DIAPHRAGM, PUMP			
23	+	P005-000520	1	GASKET, PUMP			
25	+	P005-001890	1	BASE, ASY PRIMER			
26	+	P005-000270	1	SCREW			
27	+	125381-46730	1	PUMP, PRIMING			

7. CARBURETOR



KEY	LV	PART NUMBER	Q'TY	DESCRIPTION	REMARKS	NOTE1	NOTE2
28	+	P005-000250	1	RETAINER			
29	+	P005-001900	4	SCREW			
30	+	P005-001270	2	PLUG, H AJUST SCREW			

8. REBUILD KIT

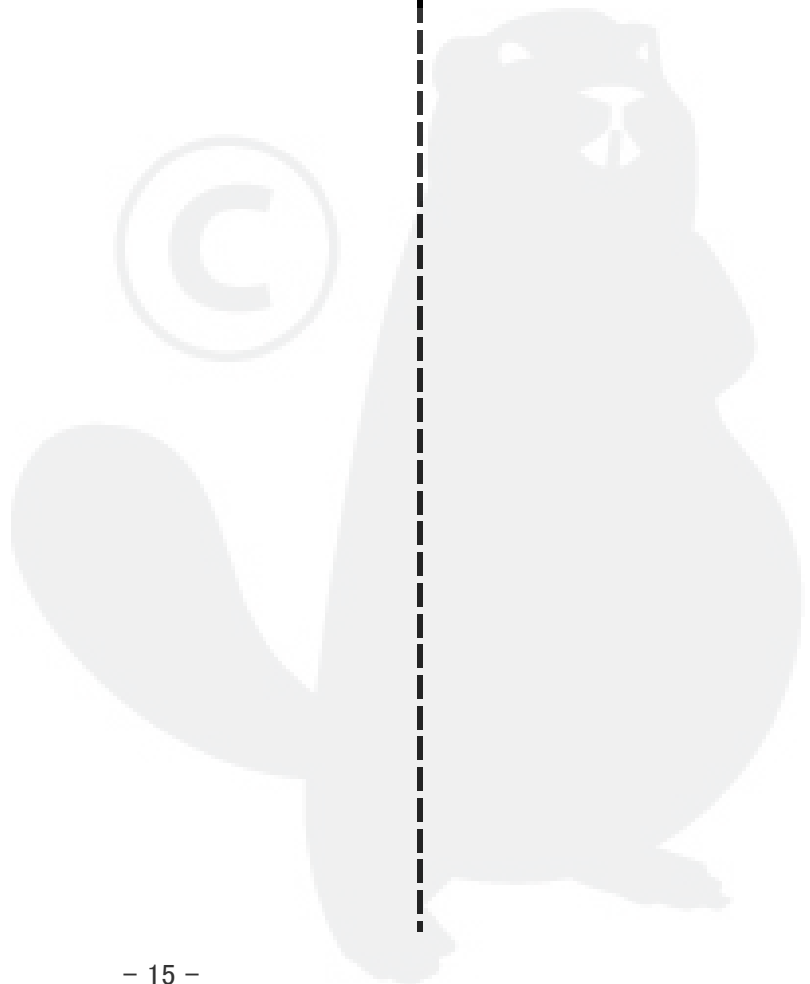
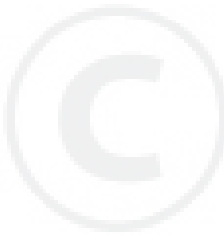
KEY	LV	PART NUMBER	Q'TY	DESCRIPTION	REMARKS	NOTE1	NOTE2
		P005-001910	1	REBUILD KIT			
1	+	P005-001000	1	ROLLER, GUIDE			
2	+	P005-000010	1	STRAINER			
3	+	125322-12620	1	SPRING, COIL			
5	+	125323-08260	1	ARM, VALVE			
6	+	125338-13930	1	PIN, METERING ARM			
7	+	125341-42030	1	DIAPHRAGM			
8	+	P005-000200	1	GASKET, METERING			
9	+	125337-08260	1	VALVE, INLET NEEDLE			
10	+	P005-000510	1	DIAPHRAGM, PUMP			
11	+	P005-000520	1	GASKET, PUMP			

Index

Patrs Number	Key No.	Patrs Number	Key No.	Patrs Number	Key No.
100012-61830	1 - 12	175049-56030	2 - 35	900701-00012	6 - 17
100013-61830	1 - 10	177234-12220	2 - 17	900703-00004	6 - 34
100015-61830	1 - 11	224103-10610	5 - 30	900704-00012	6 - 25
100100-61831	1 - 14	250001-14011	4 - 1	900720-30028	4 - 8
100142-12330	1 - 13	250011-01110	4 - 4	900722-00100	6 - 7
100212-61830	1 - 21	250026-11310	4 - 2	900724-00029	6 - 21
100242-61830	1 - 25	250027-11310	4 - 3	900724-30010	6 - 19
101514-61831	1 - 3	250211-11410	4 - 7	900724-30067	6 - 27
125322-12620	7 - 13	250916-06210	4 - 18	900810-36000	1 - 22
125322-12620	8 - 3	300333-06160	4 - 23	91128-04022	2 - 41
125323-08260	7 - 14	357013-14011	6 - 37	91428-05020	4 - 12
125323-08260	8 - 5	384002-12710	5 - 35	91428-05020	5 - 22
125337-08260	7 - 21	384013-11610	6 - 6	92500-00305	6 - 35
125337-08260	8 - 9	384029-10510	6 - 8	A021-000661	3 - 6
125338-13930	7 - 15	386013-14010	6 - 11	A021-000661	7 -
125338-13930	8 - 6	386015-10511	6 - 12	A027-000020	3 - 1
125339-42030	7 - 16	386018-10510	6 - 9	A051-000571	2 - 1
125341-42030	7 - 19	386019-10510	6 - 10	A052-000140	2 - 15
125341-42030	8 - 7	400111-11410	6 - 41	A101-000090	1 - 9
125342-52130	7 - 18	405100-11410	6 - 22	A130-000611	1 - 5
125344-13931	7 - 1	405110-10512	6 - 26	A172-000370	1 - 28
125344-52130	7 - 17	405113-10510	6 - 24	A200-000160	3 - 22
125381-46730	7 - 27	405114-10510	6 - 18	A200-000210	3 - 24
130308-13410	3 - 3	890015-13210	5 - 37	A350-000250	5 - 4
130310-13410	3 - 4	890157-06560	5 - 38	A409-000180	2 - 30
131004-55530	5 - 1	890617-13210	4 - 35	A439-000100	5 - 16
131016-55830	5 - 2	895410-03930	5 - 36	A440-000420	5 - 18
131051-56030	5 - 3	900103-06020	4 - 20	A510-000040	4 - 10
131205-07320	5 - 10	900105-05050	3 - 17	A510-000080	4 - 52
131300-56430	5 - 12	900106-05020	3 - 11	A511-000050	4 - 9
131920-55430	5 - 6	900162-05020	1 - 6	A556-000240	6 - 15
131920-61830	5 - 5	900162-05025	1 - 27	C061-000090	4 - 25
132010-52030	5 - 7	900162-05040	6 - 29	C405-000190	4 - 51
132010-56330	5 - 9	900220-06015	4 - 19	C453-000080	5 - 19
132013-14010	6 - 13	900238-05016	3 - 2	C471-000070	5 - 20
132013-26630	5 - 13	900239-05016	1 - 29	C473-000011	5 - 15
132115-46730	5 - 8	900239-05016	2 - 23	C630-000020	4 - 22
145510-61832	3 - 14	900239-05016	6 - 38	C630-000030	4 - 21
145621-61832	3 - 18	900239-05018	1 - 1	E025-000470	5 - 30
150117-09130	2 - 45	900239-05022	2 - 18	E202-000030	6 - 16
150614-02910	5 - 21	900242-05060	3 - 20	E203-000012	6 - 20
156112-61831	2 - 42	900252-04010	5 - 17	E205-000001	6 - 28
156626-61831	2 - 40	900253-04014	5 - 14	E220-000010	4 - 5
159010-10230	2 - 37	900253-05020	2 - 21	E230-000081	6 - 30
159011-03432	2 - 38	900515-00006	2 - 14	E245-000070	5 - 33
159012-03433	2 - 39	900515-00006	2 - 31	E270-000030	5 - 32
175009-55931	2 - 34	900518-00006	4 - 29	E271-000000	5 - 34
175046-56030	2 - 36	900600-00005	3 - 16	E412-000010	6 - 31
175048-05530	2 - 32	900605-00006	4 - 38	P005-000010	7 - 10

Index

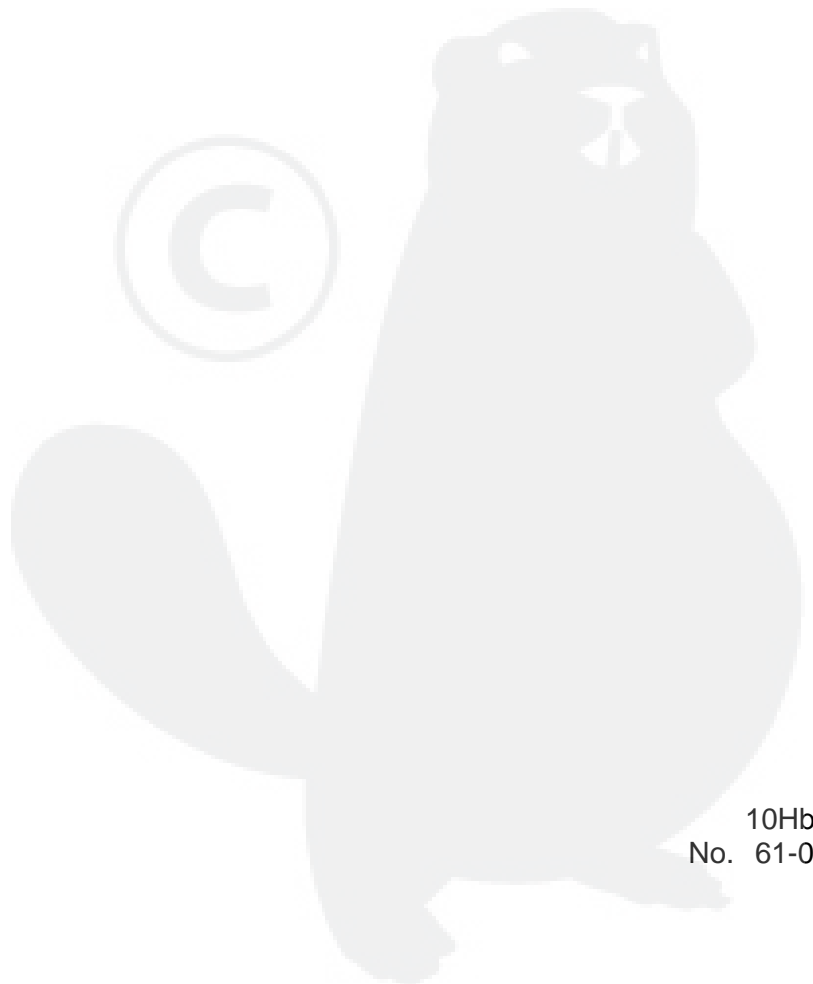
Patrs Number	Key No.	Patrs Number	Key No.	Patrs Number	Key No.
P005-000010	8 - 2	V354-000150	4 - 39		
P005-000100	7 - 4	V376-000460	2 - 13		
P005-000190	7 - 3	V402-000010	4 - 17		
P005-000200	7 - 20	V402-000030	4 - 40		
P005-000200	8 - 8	V420-000630	4 - 14		
P005-000250	7 - 28	V420-000950	6 - 39		
P005-000270	7 - 26	V430-000890	3 - 8		
P005-000280	7 - 8	V450-000310	6 - 33		
P005-000510	7 - 22	V451-000040	2 - 33		
P005-000510	8 - 10	V453-000050	5 - 26		
P005-000520	7 - 23	V471-000110	5 - 11		
P005-000520	8 - 11	V471-001340	6 - 42		
P005-001000	7 - 9	V471-002120	6 - 43		
P005-001000	8 - 1	V475-002740	5 - 27		
P005-001240	7 - 2	V475-002741	5 - 27		
P005-001250	7 - 12	V485-000400	5 - 24		
P005-001260	7 - 11	V485-000410	2 - 43		
P005-001270	7 - 30	V491-000040	4 - 26		
P005-001330	7 - 6	V491-000090	4 - 24		
P005-001880	7 - 7	X502-000460	2 - 20		
P005-001890	7 - 25	X502-000470	4 - 30		
P005-001900	7 - 29	X503-008370	4 - 32		
P005-001910	8 -	X505-000620	2 - 22		
P021-004340	1 - 20				
P021-006750	6 - 23				
P021-007120	5 - 25				
P021-008731	3 - 15				
P021-014410	4 - 53				
P021-014411	4 - 53				
P021-014760	1 - 8				
P021-014851	4 - 50				
P022-004610	2 - 3				
P022-004620	2 - 4				
P022-004630	2 - 12				
P022-004640	2 - 11				
P022-004660	2 - 8				
P022-004670	2 - 9				
P022-004680	2 - 5				
P022-004690	2 - 7				
P022-005080	2 - 16				
P022-005230	2 - 10				
P022-006430	2 - 6				
P022-006540	3 - 5				
V100-000120	1 - 7				
V103-000190	3 - 21				
V103-000230	3 - 23				
V270-000000	6 - 32				
V306-000020	2 - 44				
V323-000060	1 - 2				



YAMABIKO CORPORATION

7-2 SUEHIROCHO 1-CHOME, OHME, TOKYO 198-8760, JAPAN
PHONE: 81-428-32-6118. FAX: 81-428-32-6145.

ECHO®



10Hb
No. 61-091