



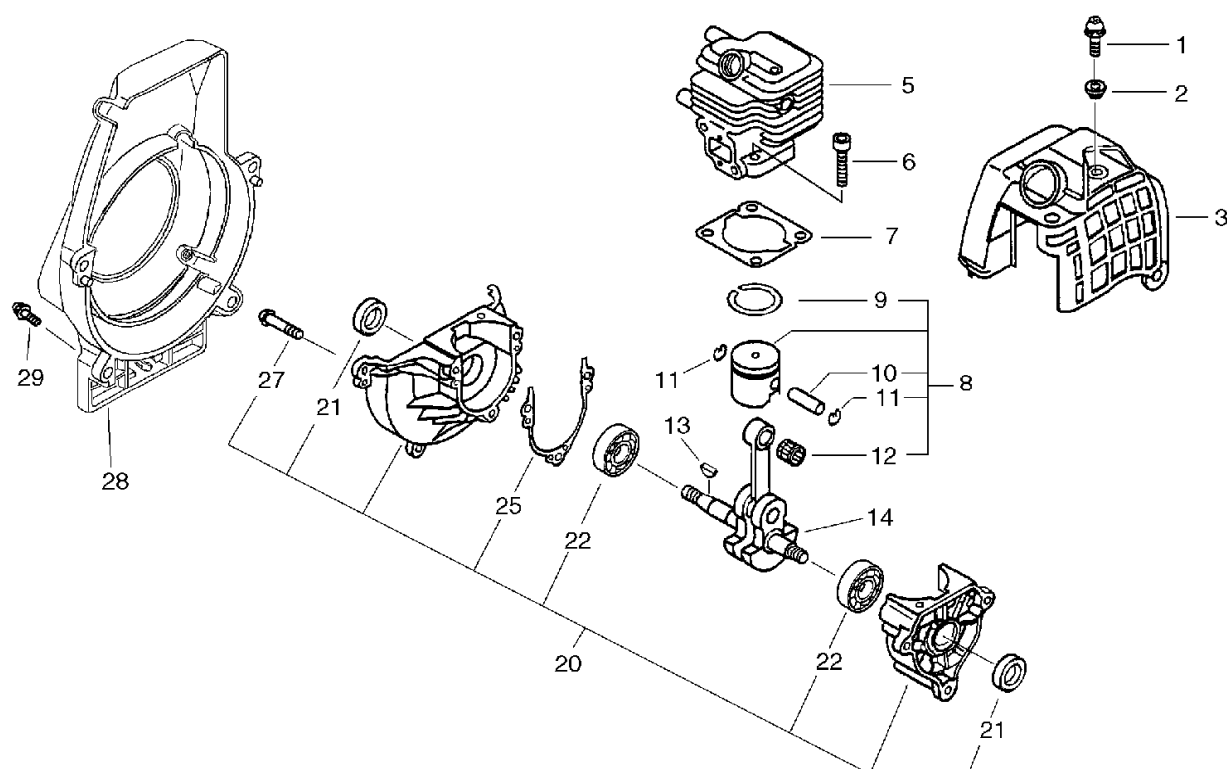
PARTS CATALOG

POWER SPRAYER SHR-150SI(35)(36)

- 36005489

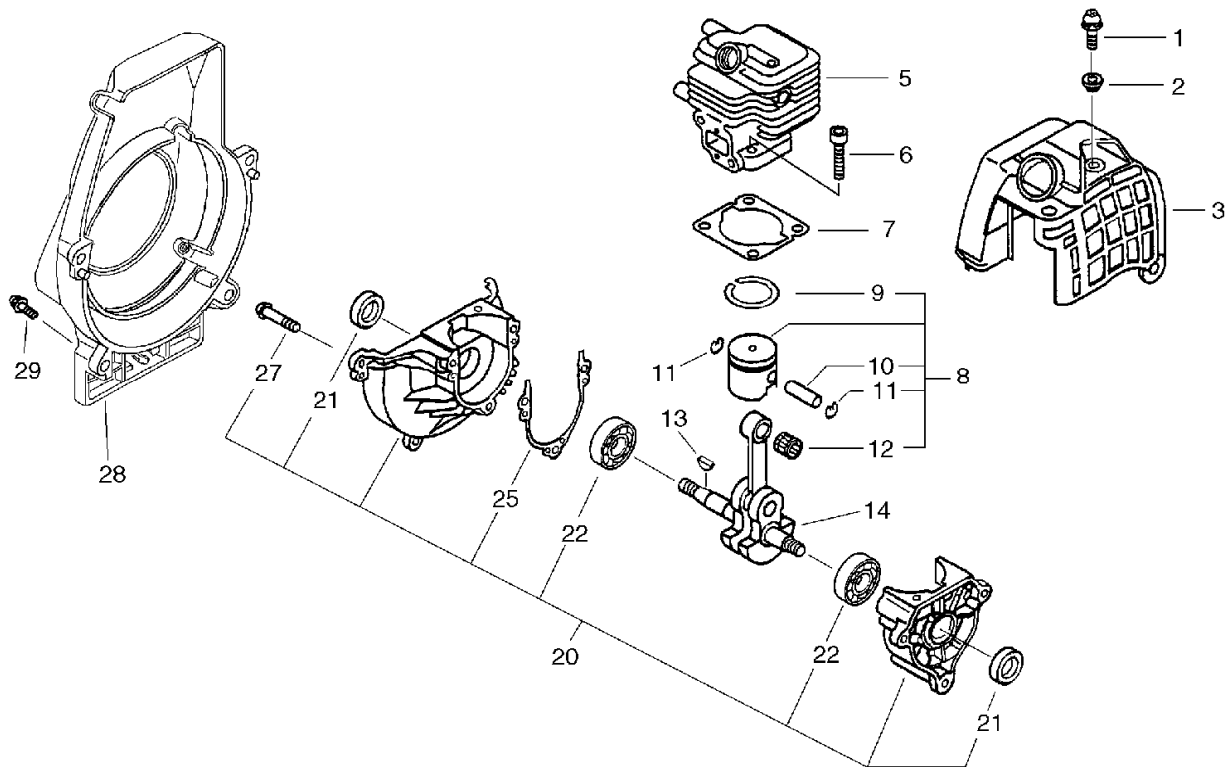
SHR-150SI(35)(36)

1. Cylinder, Crankcase, Piston(Sr/Nr 36003536 and before)



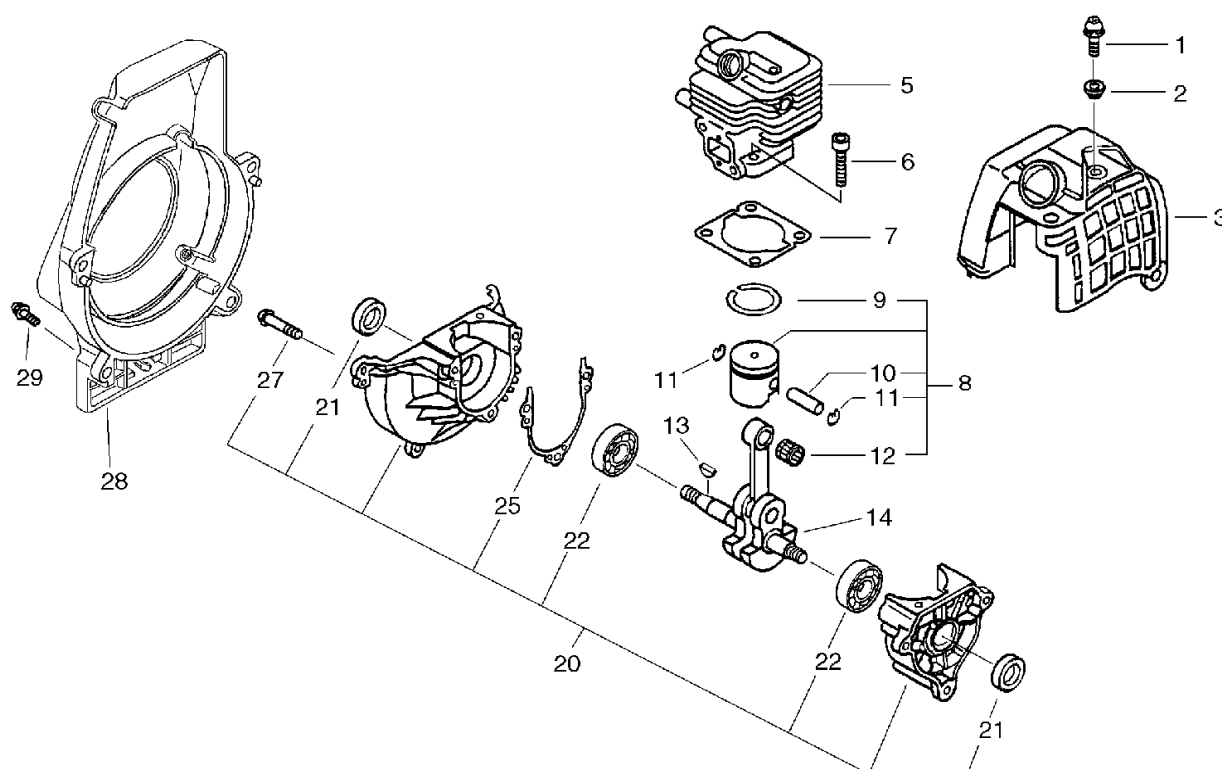
KEY	LV	PART NUMBER	Q'TY	DESCRIPTION	REMARKS	NOTE1	NOTE2
1		900239-05018	1	SCREW 5*18	5*18		
2		150117-16430	1	SPACER		Sus. By V323-000060	
3		101514-61831	1	COVER, CYLINDER			
5		101011-61831	1	CYLINDER		Sr/Nr 35001852 and before	
5		A130-000611	1	CYLINDER		Sr/Nr 36001001 and after	
6		900162-05020	2	BOLT, H.S. 5*20	5*20 W,SW		
7		101010-61830	1	GASKET, CYL. BASE		Sr/Nr 35001852 and before	
7		V100-000120	1	GASKET, CYL		Sr/Nr 36001001 and after	
8		100000-61830	1	PISTON KIT		Sr/Nr 35001852 and before	
8		P021-008710	1	PISTON KIT		Sr/Nr 36001001 and after Sus. by P021-014760	
9	+	100011-05330	1	RING, PISTON		Sr/Nr 35001852 and before	
9	+	A101-000090	1	RING, PISTON		Sr/Nr 36001001 and after	
10	+	100013-61830	1	PIN, PISTON			
11	+	100015-61830	2	RING, SNAP			
12	+	100012-61830	1	BEARING, NEEDLE			

1. Cylinder, Crankcase, Piston(Sr/Nr 36003536 and before)



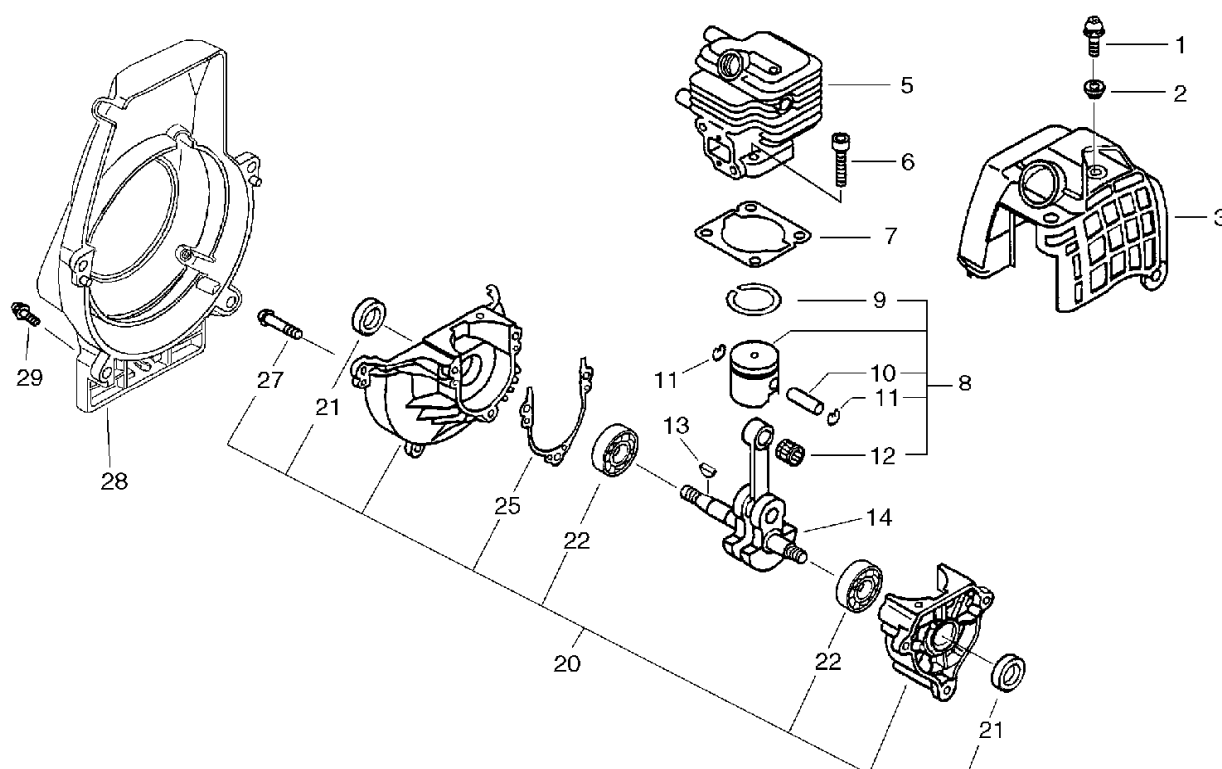
KEY	LV	PART NUMBER	Q'TY	DESCRIPTION	REMARKS	NOTE1	NOTE2
13		100142-12330	1	KEY, WOODRUFF			
14		100100-61831	1	CRANKSHAFT			
20		P021-004340	1	CRANK CASE KIT			
21	+	100212-61830	2	OILSEAL	ISCD 10*20*5		
22	+	900810-36000	2	BEARING, BALL			
25	+	100242-61830	1	GASKET, CRANKCASE			
27	+	900162-05025	3	BOLT, H.S. 5*25	5*25 W,SW		
28		A172-000370	1	COVER,FAN			
29		900239-05016	4	SCREW 5*16	5*16		

2. Cylinder, Crankcase, Piston(Sr/Nr 36003537 to 36003638)



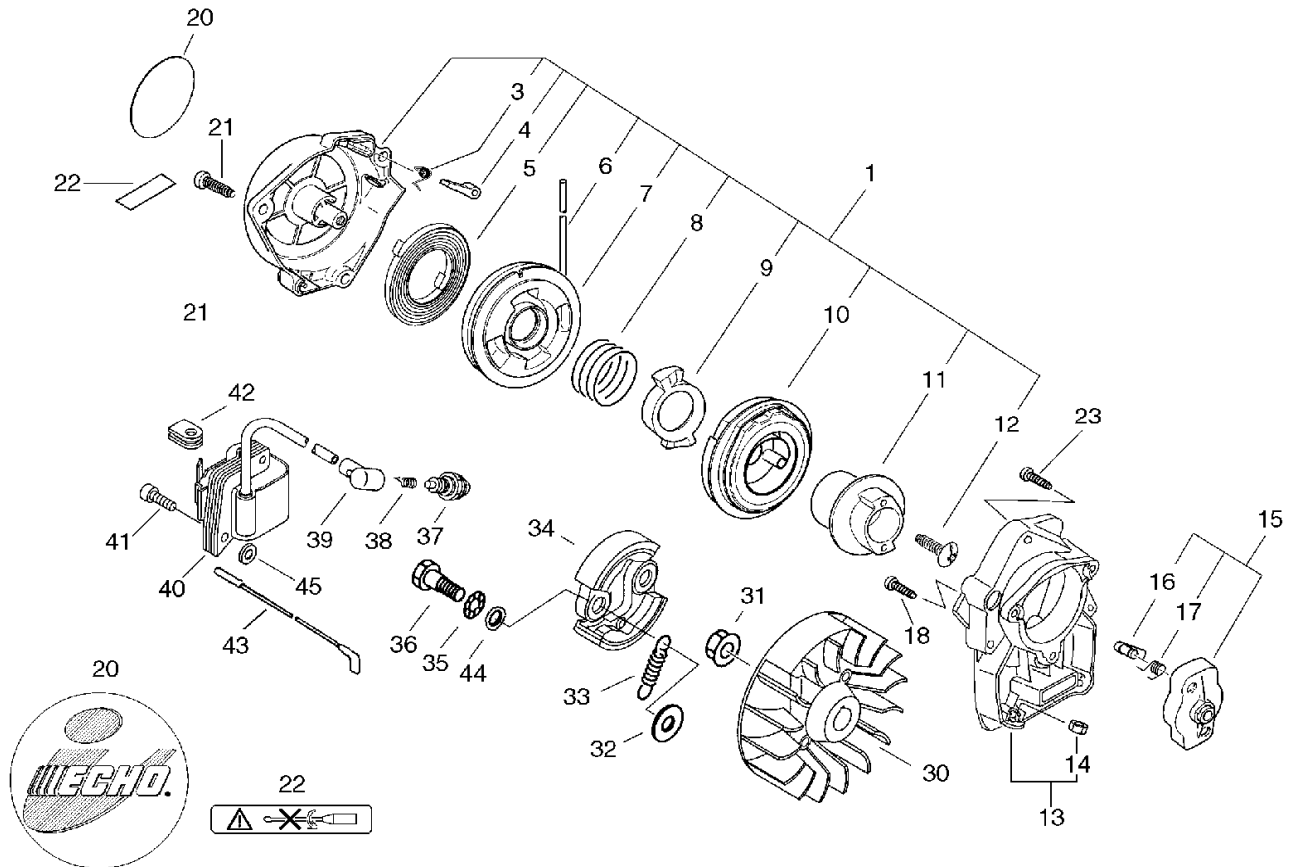
KEY	LV	PART NUMBER	Q'TY	DESCRIPTION	REMARKS	NOTE1	NOTE2
1		900239-05018	1	SCREW 5*18	5*18		
2		V323-000060	1	WASHER,CIRCULAR 5			
3		101514-61831	1	COVER, CYLINDER			
5		A130-000611	1	CYLINDER			
6		900162-05020	2	BOLT, H.S. 5*20	5*20 W,SW		
7		V100-000120	1	GASKET,CYL			
8		P021-008710	1	PISTON KIT		Sus. by P021-014760	
9	+	A101-000090	1	RING,PISTON			
10	+	100013-61830	1	PIN, PISTON			
11	+	100015-61830	2	RING, SNAP			
12	+	100012-61830	1	BEARING, NEEDLE			
13		100142-12330	1	KEY, WOODRUFF			
14		100100-61831	1	CRANKSHAFT			
20		P021-004340	1	CRANK CASE KIT			
21	+	100212-61830	2	OILSEAL	ISCD 10*20*5		
22	+	900810-36000	2	BEARING, BALL			
25	+	100242-61830	1	GASKET, CRANKCASE			
27	+	900162-05025	3	BOLT, H.S. 5*25	5*25 W,SW		
28		A172-000370	1	COVER,FAN			
29		900239-05016	4	SCREW 5*16	5*16		

3. Cylinder, Crankcase, Piston(Sr/Nr 36003639 and after)



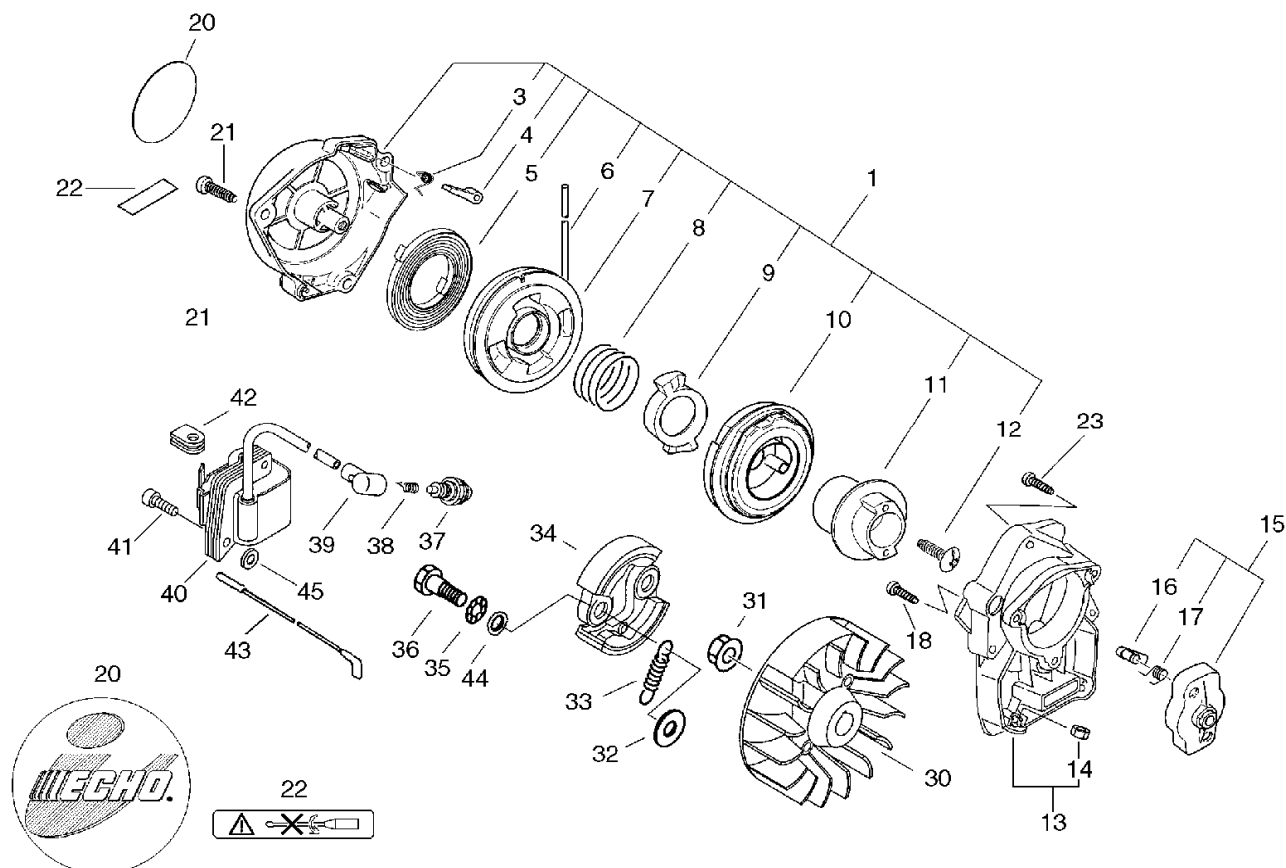
KEY	LV	PART NUMBER	Q'TY	DESCRIPTION	REMARKS	NOTE1	NOTE2
1		900239-05018	1	SCREW 5*18	5*18		
2		V323-000060	1	WASHER,CIRCULAR 5			
3		101514-61831	1	COVER, CYLINDER			
5		A130-000611	1	CYLINDER			
6		900162-05020	2	BOLT, H.S. 5*20	5*20 W,SW		
7		V100-000120	1	GASKET,CYL			
8		P021-008710	1	PISTON KIT		Sus. by P021-014760	
8		P021-014760	1	PISTON KIT			
9	+	A101-000090	1	RING,PISTON			
10	+	100013-61830	1	PIN, PISTON			
11	+	100015-61830	2	RING, SNAP			
12	+	100012-61830	1	BEARING, NEEDLE			
13		100142-12330	1	KEY, WOODRUFF			
14		100100-61831	1	CRANKSHAFT			
20		P021-004340	1	CRANK CASE KIT			
21	+	100212-61830	2	OILSEAL	ISCD 10*20*5		
22	+	900810-36000	2	BEARING, BALL			
25	+	100242-61830	1	GASKET, CRANKCASE			
27	+	900162-05025	3	BOLT, H.S. 5*25	5*25 W,SW		
28		A172-000370	1	COVER,FAN			
29		900239-05016	4	SCREW 5*16	5*16		

4. Starter, Magneto, Clutch(Sr/Nr 36003536 and before)



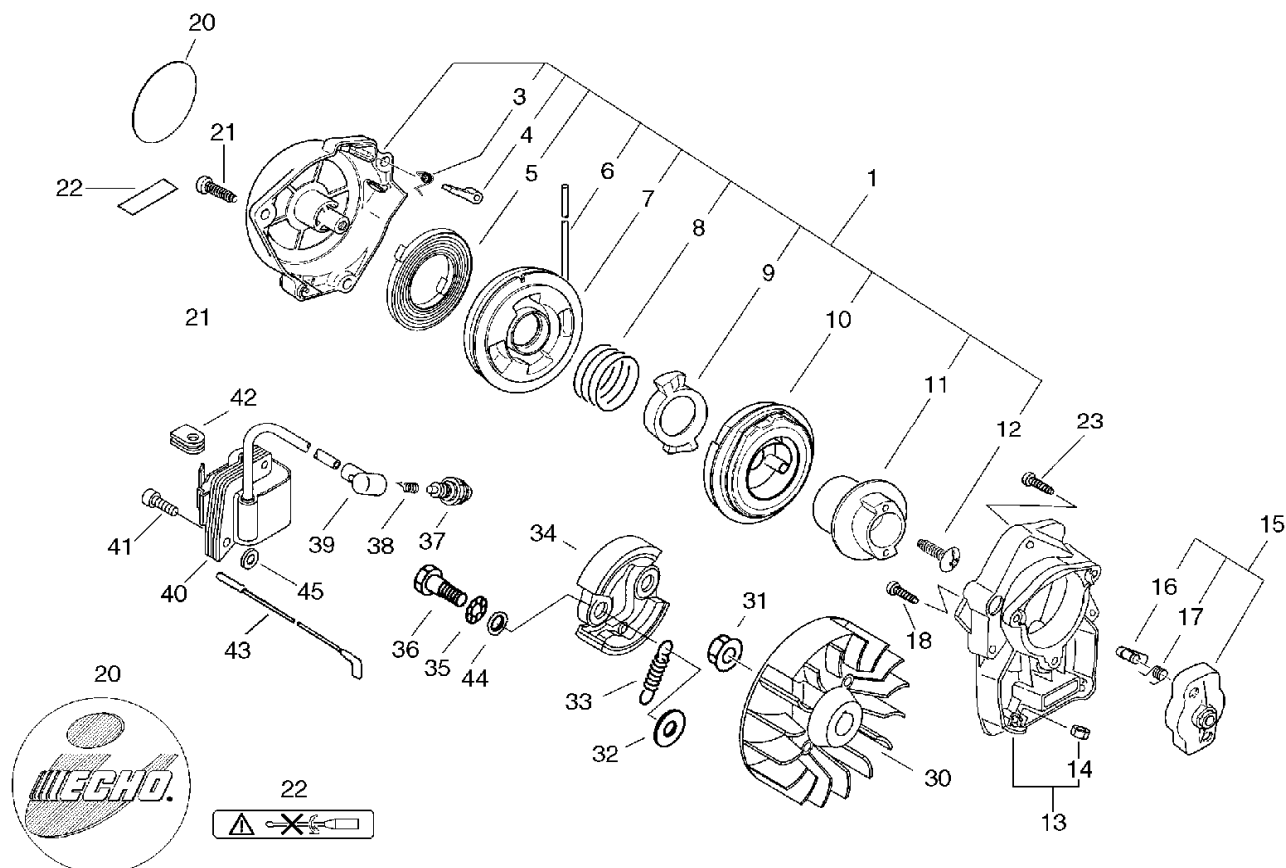
KEY	LV	PART NUMBER	Q'TY	DESCRIPTION	REMARKS	NOTE1	NOTE2
1		A051-000570	1	STARTER,RECOIL		Sus. by A051-000571	
1		A051-000571	1	STARTER,RECOIL			
3	+	P022-004610	2	SPRING, RETURN			
4	+	P022-004620	2	PAWL, STARTER			
5	+	P022-004680	1	SPRING, SPIRAL			
6	+	P022-006430	1	ROPE, STARTER			
7	+	P022-004690	1	REEL,ROPE			
8	+	P022-004660	1	SPRING, RETURN			
9	+	P022-004670	1	PAWL, STARTER			
10	+	P022-005230	1	COMPLETE,SPRING			
11	+	P022-004640	1	PLATE,CAM			
12	+	P022-004630	1	SCREW			
13		V376-000460	1	SPACER			
14	+	900515-00006	2	NUT, FLANGE 6	6		
15		A052-000140	1	PULLEY,ASM STARTER			
16	+	P022-005080	2	PAWL, STARTER	WHITE		
17	+	177234-12220	2	SPRING, PAWL			
18		900239-05022	1	SCREW 5*22	5*22		
20		X502-000032	1	LABEL,ECHO		Sus. by X502-000160	
20		X502-000160	1	LABEL,ECHO	ECHO	Sus. by X502-000460	
21		900253-05020	3	SCREW 5*20	5*20		
22		X505-000620	1	LABEL,CAUTION			
23		900239-05016	2	SCREW 5*16	5*16		

4. Starter, Magneto, Clutch(Sr/Nr 36003536 and before)



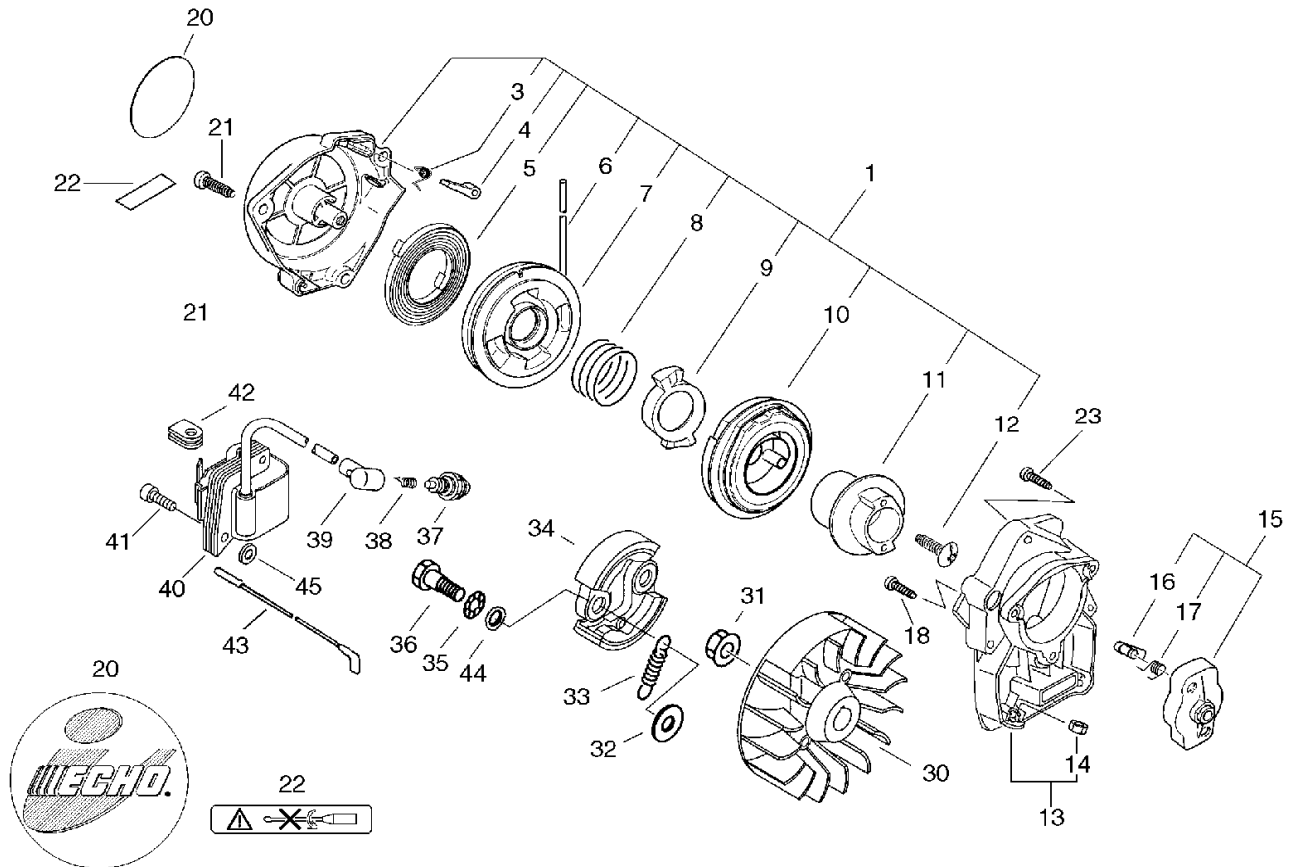
KEY	LV	PART NUMBER	Q'TY	DESCRIPTION	REMARKS	NOTE1	NOTE2
30		A409-000180	1	ROTOR,MAGNETO			
31		900515-00006	1	NUT, FLANGE 6	6		
32		175048-05530	2	WASHER (I)	6.2*19*1.0		
33		V451-000040	1	SPRING,TENSION	5.9KGF		
34		175009-55930	2	SHOE, CLUTCH		Sus. by 175009-55931	
34		175009-55931	2	SHOE, CLUTCH			
35		175049-56030	2	WASHER	8.5*16*0.5		
36		175046-56030	2	SHAFT, CLUTCH			
37		159010-10230	1	PLUG, SPARK (BPMR-7A)	BPMR-7A		
38		159011-03432	1	COIL, SPARK PLUG			
39		159012-03433	1	CAP, SPARK PLUG			
40		156626-61831	1	COIL, IGNITION			
41		900162-04020	2	BOLT, H.S. 4*20	4*20 W,SW	Sr/Nr 35001852 and before	
41		91128-04022	2	BOLT HSH	CM-4*22	Sr/Nr 36001001 and after	
42		156112-61831	1	GROMMET, H.T.CORD			
43		V485-000410	1	LEAD			
44		V306-000020	2	WASHER,CIRCULAR 8	8.2*17*0.2		
45		150117-09130	2	SPACER		Sr/Nr 36001001 and after	

5. Starter, Magneto, Clutch(Sr/Nr 36003537 to 36003638)



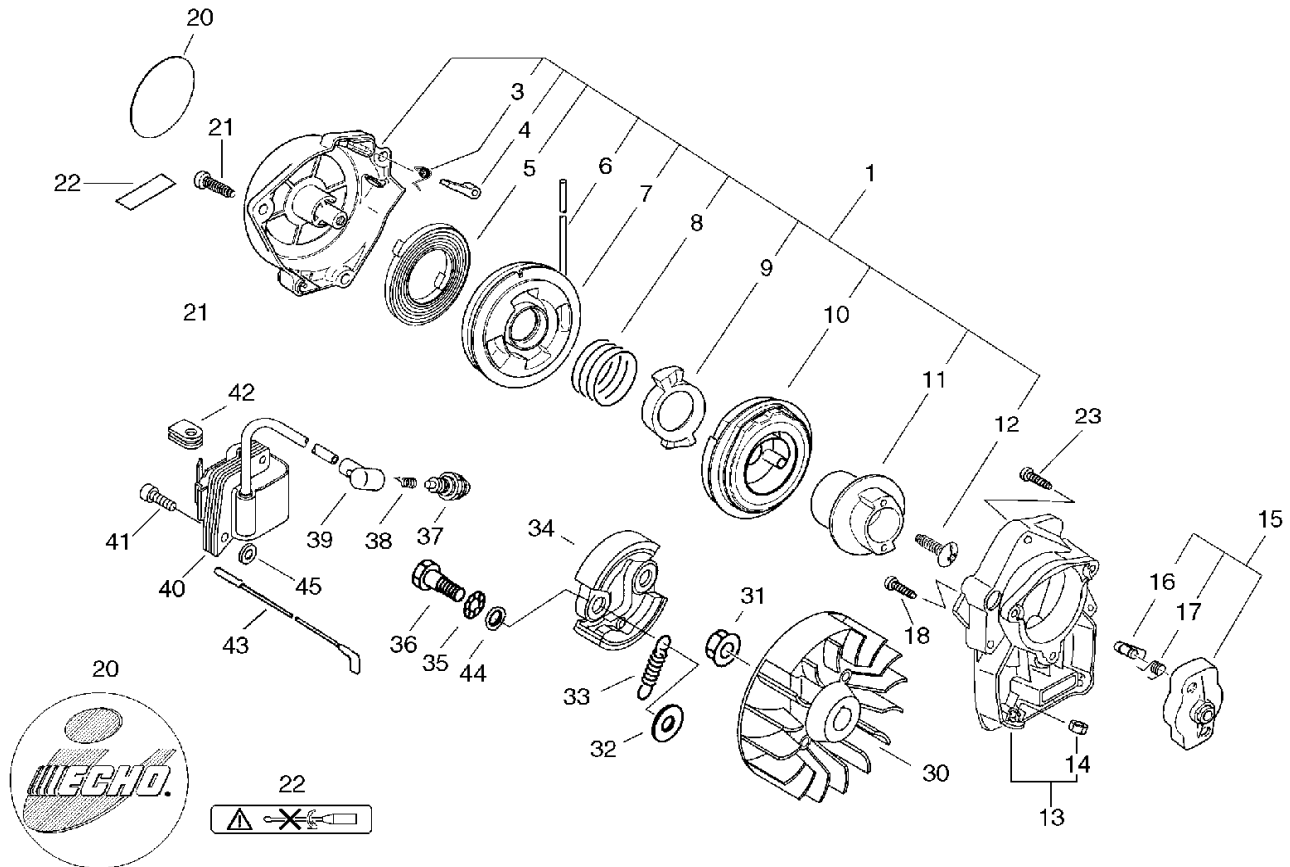
KEY	LV	PART NUMBER	Q'TY	DESCRIPTION	REMARKS	NOTE1	NOTE2
1		A051-000571	1	STARTER,RECOIL			
3	+	P022-004610	2	SPRING, RETURN			
4	+	P022-004620	2	PAWL, STARTER			
5	+	P022-004680	1	SPRING, SPIRAL			
6	+	P022-006430	1	ROPE, STARTER			
7	+	P022-004690	1	REEL,ROPE			
8	+	P022-004660	1	SPRING, RETURN			
9	+	P022-004670	1	PAWL, STARTER			
10	+	P022-005230	1	COMPLETE,SPRING			
11	+	P022-004640	1	PLATE,CAM			
12	+	P022-004630	1	SCREW			
13		V376-000460	1	SPACER			
14	+	900515-00006	2	NUT, FLANGE 6	6		
15		A052-000140	1	PULLEY,ASM STARTER			
16	+	P022-005080	2	PAWL, STARTER	WHITE		
17	+	177234-12220	2	SPRING, PAWL			
18		900239-05022	1	SCREW 5*22	5*22		
20		X502-000460	1	LABEL,ECHO			
21		900253-05020	3	SCREW 5*20	5*20		
22		X505-000620	1	LABEL,CAUTION			
23		900239-05016	2	SCREW 5*16	5*16		
30		A409-000180	1	ROTOR,MAGNETO			
31		900515-00006	1	NUT, FLANGE 6	6		
32		175048-05530	2	WASHER (I)	6.2*19*1.0		
33		V451-000040	1	SPRING,TENSION	5.9KGF		
34		175009-55931	2	SHOE, CLUTCH			

5. Starter, Magneto, Clutch(Sr/Nr 36003537 to 36003638)



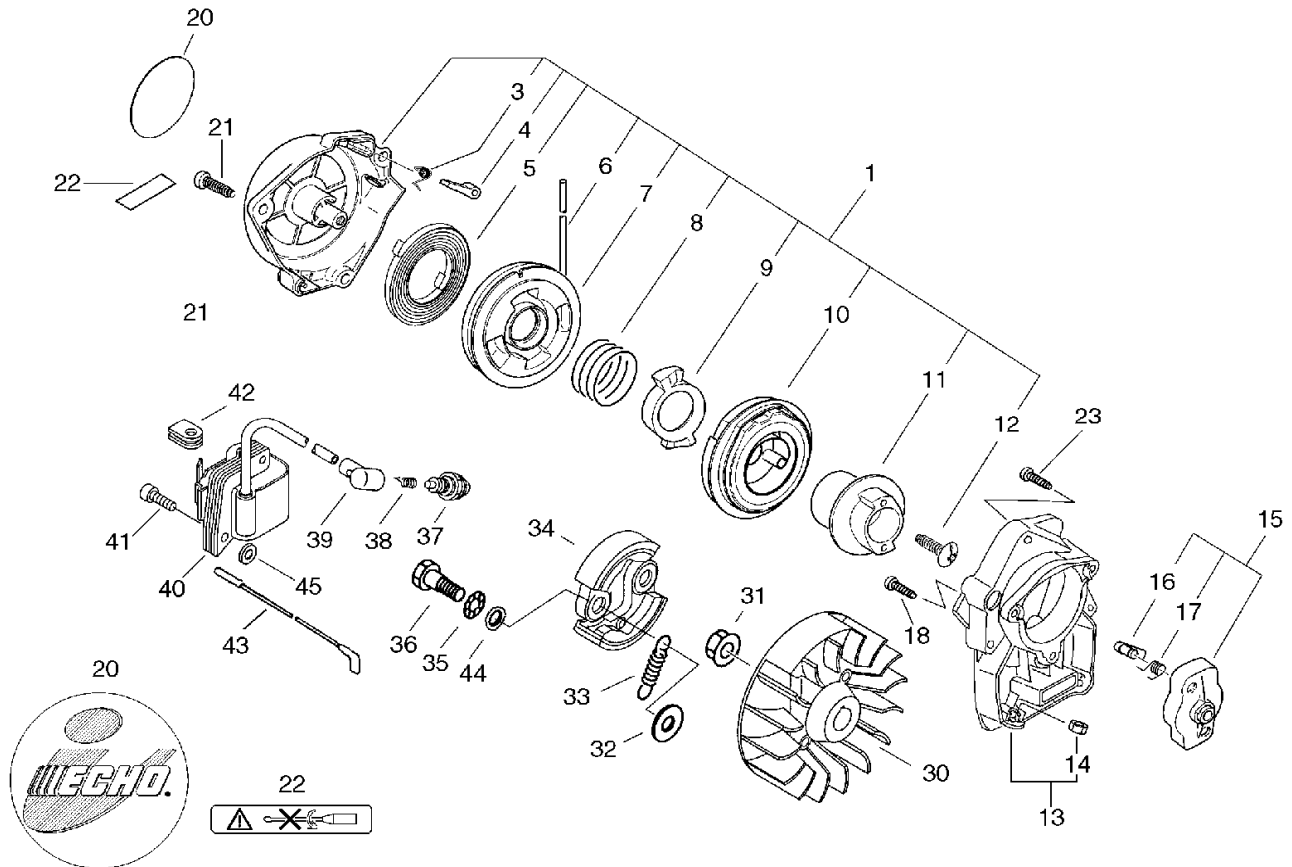
KEY	LV	PART NUMBER	Q'TY	DESCRIPTION	REMARKS	NOTE1	NOTE2
35		175049-56030	2	WASHER	8.5*16*0.5		
36		175046-56030	2	SHAFT, CLUTCH			
37		159010-10230	1	PLUG, SPARK (BPMR-7A)	BPMR-7A		
38		159011-03432	1	COIL, SPARK PLUG			
39		159012-03433	1	CAP, SPARK PLUG			
40		156626-61831	1	COIL, IGNITION			
41		91128-04022	2	BOLT HSH	CM-4*22		
42		156112-61831	1	GROMMET, H.T.CORD			
43		V485-000410	1	LEAD			
44		V306-000020	2	WASHER,CIRCULAR 8	8.2*17*0.2		
45		150117-09130	2	SPACER			

6. Starter, Magneto, Clutch(Sr/Nr 36003639 and after)



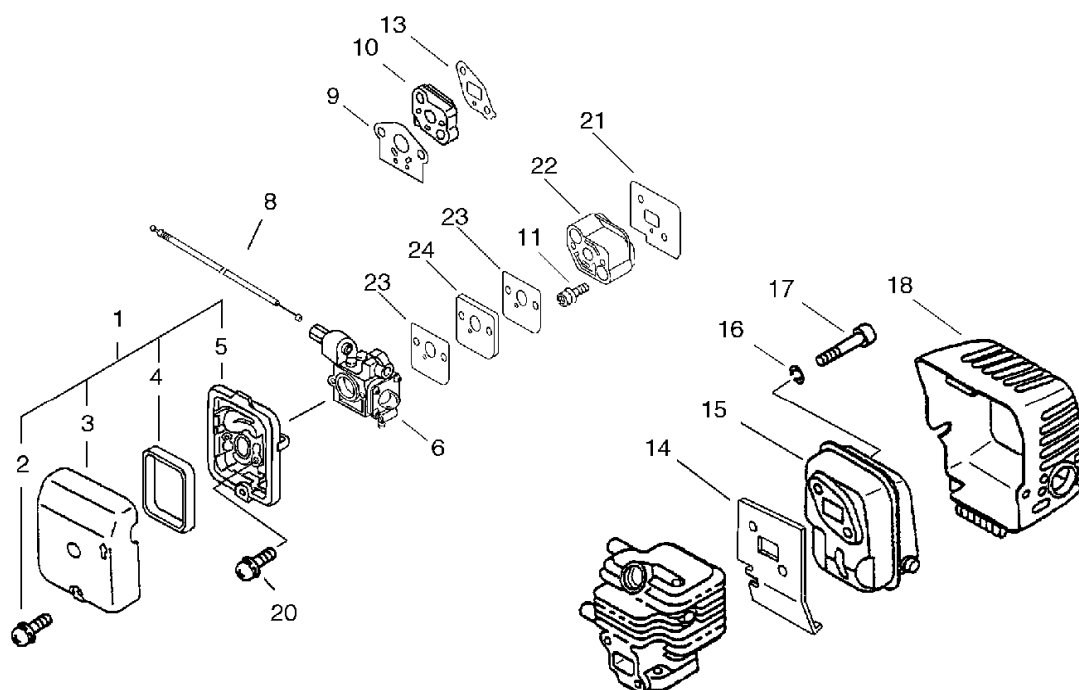
KEY	LV	PART NUMBER	Q'TY	DESCRIPTION	REMARKS	NOTE1	NOTE2
1		A051-000571	1	STARTER,RECOIL			
3	+	P022-004610	2	SPRING, RETURN			
4	+	P022-004620	2	PAWL, STARTER			
5	+	P022-004680	1	SPRING, SPIRAL			
6	+	P022-006430	1	ROPE, STARTER			
7	+	P022-004690	1	REEL, ROPE			
8	+	P022-004660	1	SPRING, RETURN			
9	+	P022-004670	1	PAWL, STARTER			
10	+	P022-005230	1	COMPLETE, SPRING			
11	+	P022-004640	1	PLATE, CAM			
12	+	P022-004630	1	SCREW			
13		V376-000460	1	SPACER			
14	+	900515-00006	2	NUT, FLANGE 6	6		
15		A052-000140	1	PULLEY, ASM STARTER			
16	+	P022-005080	2	PAWL, STARTER	WHITE		
17	+	177234-12220	2	SPRING, PAWL			
18		900239-05022	1	SCREW 5*22	5*22		
20		X502-000460	1	LABEL, ECHO			
21		900253-05020	3	SCREW 5*20	5*20		
22		X505-000620	1	LABEL, CAUTION			
23		900239-05016	2	SCREW 5*16	5*16		
30		A409-000180	1	ROTOR, MAGNETO			
31		900515-00006	1	NUT, FLANGE 6	6		
32		175048-05530	2	WASHER (I)	6.2*19*1.0		
33		V451-000040	1	SPRING, TENSION	5.9KGF		
34		175009-55931	2	SHOE, CLUTCH			

6. Starter, Magneto, Clutch(Sr/Nr 36003639 and after)



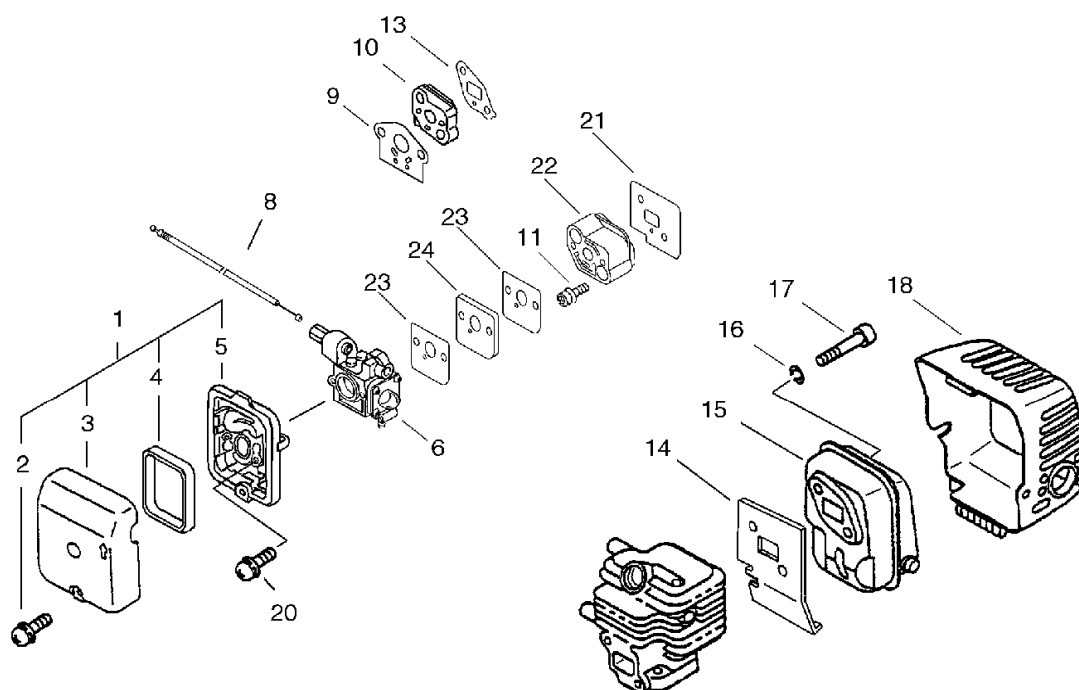
KEY	LV	PART NUMBER	Q'TY	DESCRIPTION	REMARKS	NOTE1	NOTE2
35		175049-56030	2	WASHER	8.5*16*0.5		
36		175046-56030	2	SHAFT, CLUTCH			
37		159010-10230	1	PLUG, SPARK (BPMR-7A)	BPMR-7A		
38		159011-03432	1	COIL, SPARK PLUG			
39		159012-03433	1	CAP, SPARK PLUG			
40		156626-61831	1	COIL, IGNITION			
41		91128-04022	2	BOLT HSH	CM-4*22		
42		156112-61831	1	GROMMET, H.T.CORD			
43		V485-000410	1	LEAD			
44		V306-000020	2	WASHER,CIRCULAR 8	8.2*17*0.2		
45		150117-09130	2	SPACER			

7. Air Cleaner, Muffler(Sr/Nr 36003536 and before)



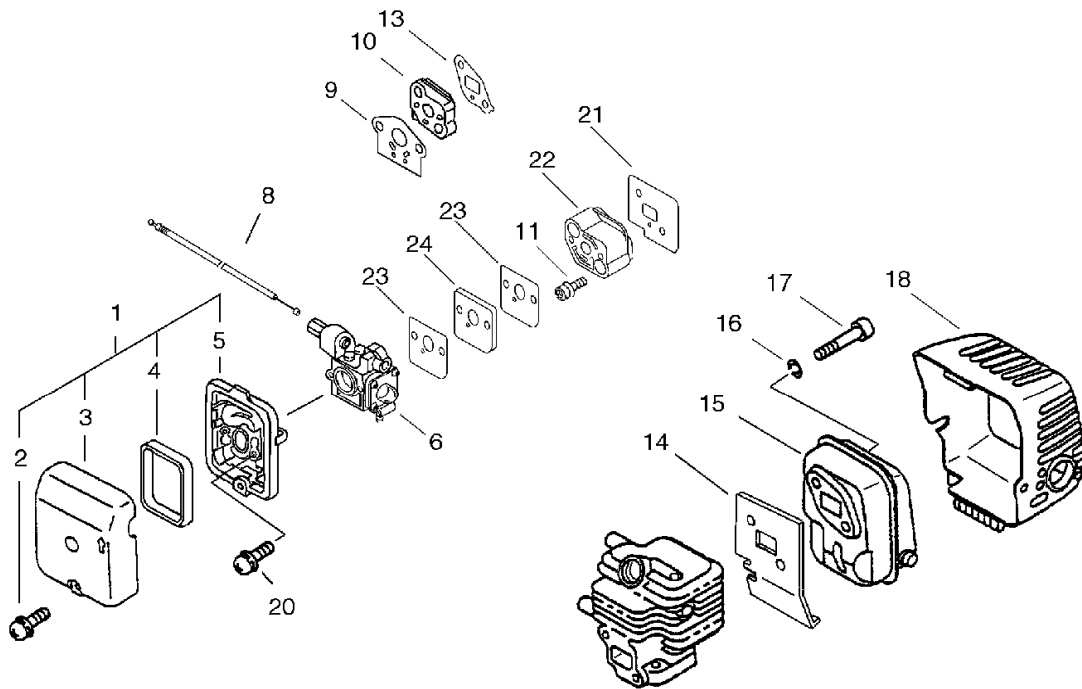
KEY	LV	PART NUMBER	Q'TY	DESCRIPTION	REMARKS	NOTE1	NOTE2
1		A027-000020	1	CLEANER,ASM AIR			
2	+	900238-05016	1	SCREW 5*16	5*16		
3	+	130308-13410	1	COVER, AIR CLEANER			
4	+	130310-13410	1	FILTER, AIR			
5	+	P022-006540	1	ASY,CLEANER BASE			
6		A021-000660	1	CARBURETOR,DIAPHRAGM	RB-K69	Sus. by A021-000661	
6		A021-000661	1	CARBURETOR,DIAPHRAGM	RB-K69A		
8		V430-000890	1	CABLE,BOWDEN			
9		130010-13410	1	GASKET, INTAKE		Sr/Nr 35001852 and before	
10		130017-15313	1	INSULATOR, INTAKE		Sr/Nr 35001852 and before	
11		900106-05020	2	BOLT, H.S. 5*20	5*20		
13		130010-61830	1	GASKET, INTAKE		Sr/Nr 35001852 and before	
14		145510-61831	1	GASKET, MUFFLER		Sus. by 145510-61832	
14		145510-61832	1	GASKET, MUFFLER			
15		A300-000360	1	MUFFLER,EXHAUST		Sr/Nr 35001852 and before	
15		P021-008730	1	MUFFLER ASY		Sr/Nr 36001001 and after	
16		900600-00005	2	WASHER 5	5		
17		900105-05050	2	BOLT, H.S. 5*50	5*50		

7. Air Cleaner, Muffler(Sr/Nr 36003536 and before)



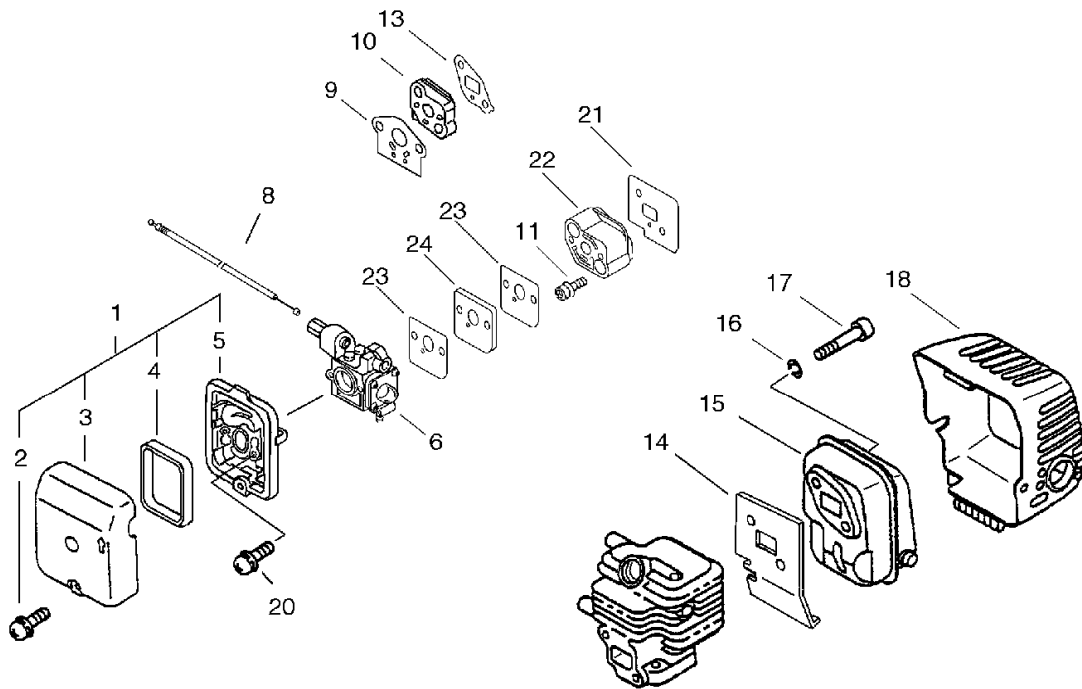
KEY	LV	PART NUMBER	Q'TY	DESCRIPTION	REMARKS	NOTE1	NOTE2
18		145621-61831	1	COVER, MUFFLER		Sus. by 145621-61832	
20		900242-05050	2	SCREW 5*50	5*50	Sr/Nr 35001852 and before	
20		900242-05060	2	SCREW 5*60	5*60	Sr/Nr 36001001 and after	
21		V103-000190	1	GASKET,INTAKE		Sr/Nr 36001001 and after	
22		A200-000160	1	INSULATOR,INTAKE		Sr/Nr 36001001 and after	
23		V103-000230	2	GASKET,INTAKE		Sr/Nr 36001001 and after	
24		A200-000210	1	INSULATOR,INTAKE		Sr/Nr 36001001 and after	

8. Air Cleaner, Muffler(Sr/Nr 36003537 to 36003638)



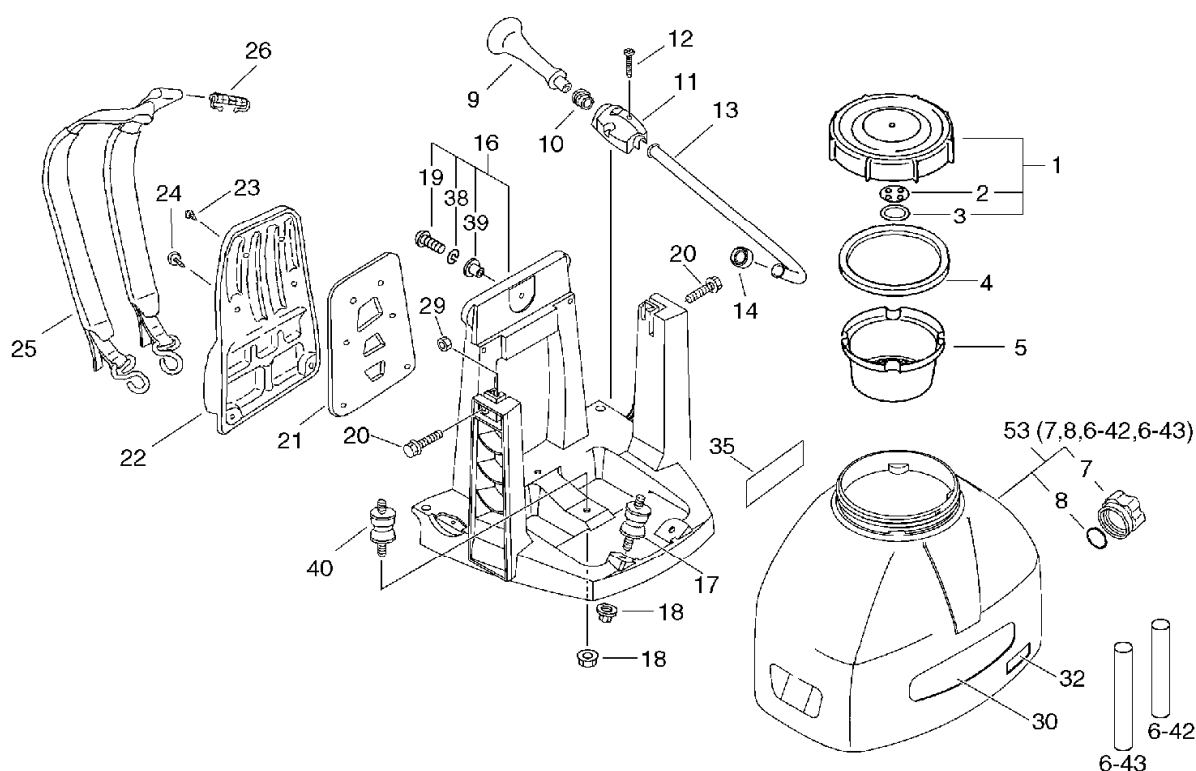
KEY	LV	PART NUMBER	Q'TY	DESCRIPTION	REMARKS	NOTE1	NOTE2
1		A027-000020	1	CLEANER,ASM AIR			
2	+	900238-05016	1	SCREW 5*16	5*16		
3	+	130308-13410	1	COVER, AIR CLEANER			
4	+	130310-13410	1	FILTER, AIR			
5	+	P022-006540	1	ASY,CLEANER BASE			
6		A021-000661	1	CARBURETOR,DIAPHRAGM	RB-K69A		
8		V430-000890	1	CABLE,BOWDEN			
11		900106-05020	2	BOLT, H.S. 5*20	5*20		
14		145510-61832	1	GASKET, MUFFLER			
15		P021-008731	1	MUFFLER ASY			
16		900600-00005	2	WASHER 5	5		
17		900105-05050	2	BOLT, H.S. 5*50	5*50		
18		145621-61832	1	COVER, MUFFLER			
20		900242-05060	2	SCREW 5*60	5*60		
21		V103-000190	1	GASKET,INTAKE			
22		A200-000160	1	INSULATOR,INTAKE			
23		V103-000230	2	GASKET,INTAKE			
24		A200-000210	1	INSULATOR,INTAKE			

9. Air Cleaner, Muffler(Sr/Nr 36003639 and after)



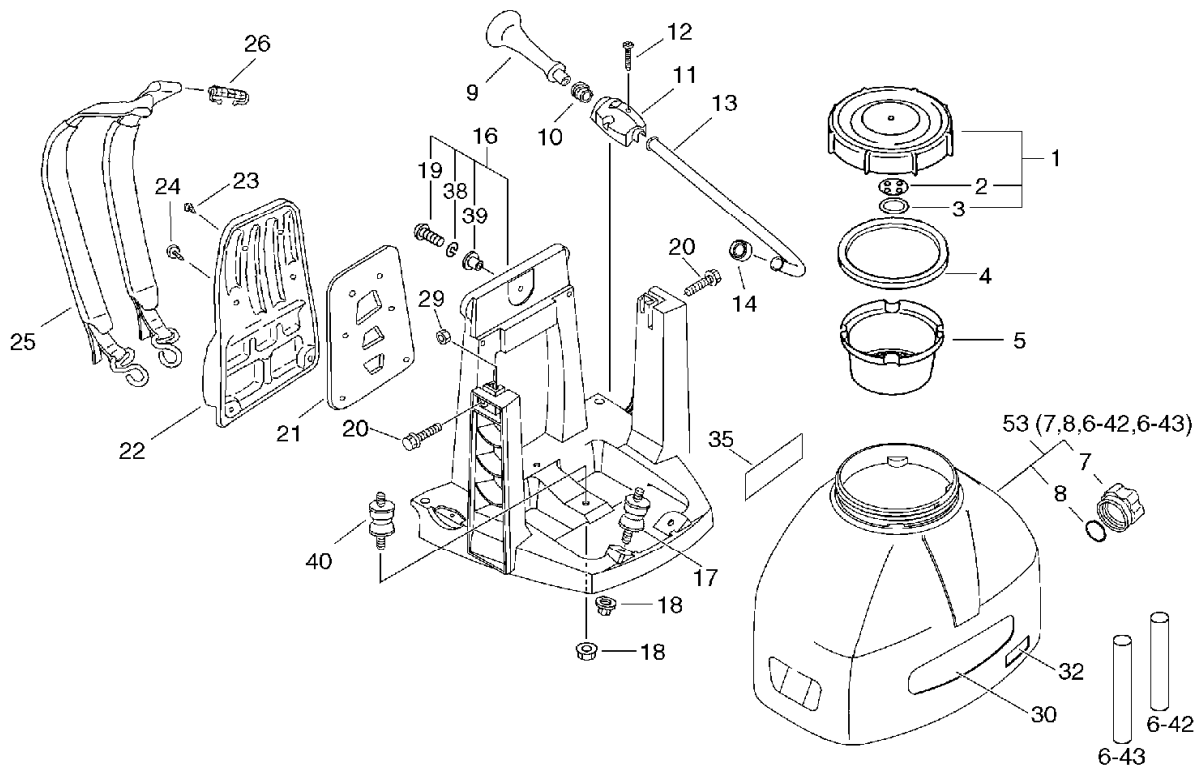
KEY	LV	PART NUMBER	Q'TY	DESCRIPTION	REMARKS	NOTE1	NOTE2
1		A027-000020	1	CLEANER,ASM AIR			
2	+	900238-05016	1	SCREW 5*16	5*16		
3	+	130308-13410	1	COVER, AIR CLEANER			
4	+	130310-13410	1	FILTER, AIR			
5	+	P022-006540	1	ASY,CLEANER BASE			
6		A021-000661	1	CARBURETOR,DIAPHRAGM	RB-K69A		
8		V430-000890	1	CABLE,BOWDEN			
11		900106-05020	2	BOLT, H.S. 5*20	5*20		
14		145510-61832	1	GASKET, MUFFLER			
15		P021-008731	1	MUFFLER ASY			
16		900600-00005	2	WASHER 5	5		
17		900105-05050	2	BOLT, H.S. 5*50	5*50		
18		145621-61832	1	COVER, MUFFLER			
20		900242-05060	2	SCREW 5*60	5*60		
21		V103-000190	1	GASKET,INTAKE			
22		A200-000160	1	INSULATOR,INTAKE			
23		V103-000230	2	GASKET,INTAKE			
24		A200-000210	1	INSULATOR,INTAKE			

10. Chemical Tank, Harness(Sr/Nr 36003536 and before)



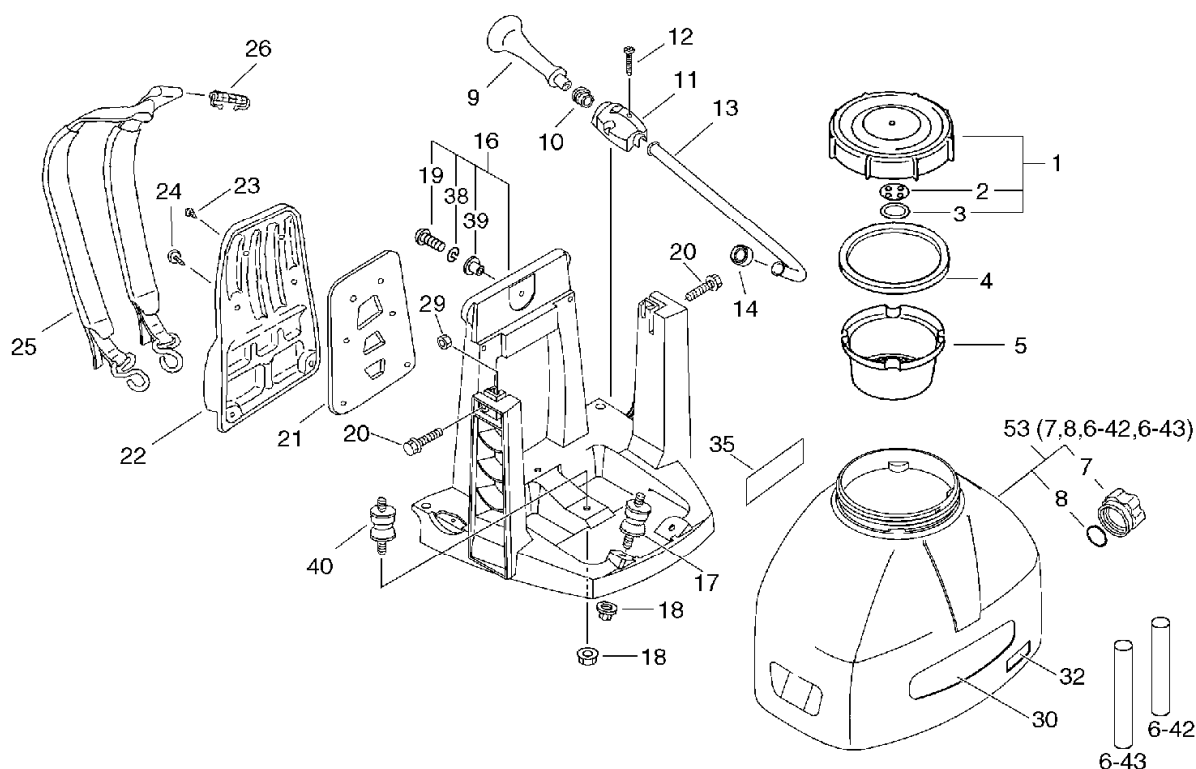
KEY	LV	PART NUMBER	Q'TY	DESCRIPTION	REMARKS	NOTE1	NOTE2
1		250001-14010	1	CAP, CHEMICAL TANK			
2	+	250026-11310	1	VALVE, AIR			
3	+	250027-11310	1	PACKING			
4		250011-01110	1	GASKET, CHMCL. TANK			
5		E220-000010	1	FILTER,TANK			
6		P021-005660	1	TANK,CHEMICAL SET	15L	Sus. by P021-005662	
6		P021-005661	1	TANK,CHEMICAL SET	15L	Sus. by P021-005662	
6		P021-005662	1	TANK,CHEMICAL SET	15L	Sr/Nr 36003536 and before Sus. by P021-014410	
7	+	250211-11410	1	NUT, HOSE			
8	+	900720-30028	1	O-RING P-28 (F)	P-28		
9		A511-000040	1	GRIP,STARTER		Sus. by A511-000050	
9		A511-000050	1	GRIP,STARTER			
10		A510-000040	1	GUIDE,ROPE		Sr/Nr 36003638 and before Disuse	
11		C405-000080	1	BRACKET,HANDLE		Sr/Nr 36003638 and before	
12		91428-05020	2	SCREW TAPPING	5*20 SUS	Sr/Nr 36003638 and before Qty 2->1	

10. Chemical Tank, Harness(Sr/Nr 36003536 and before)



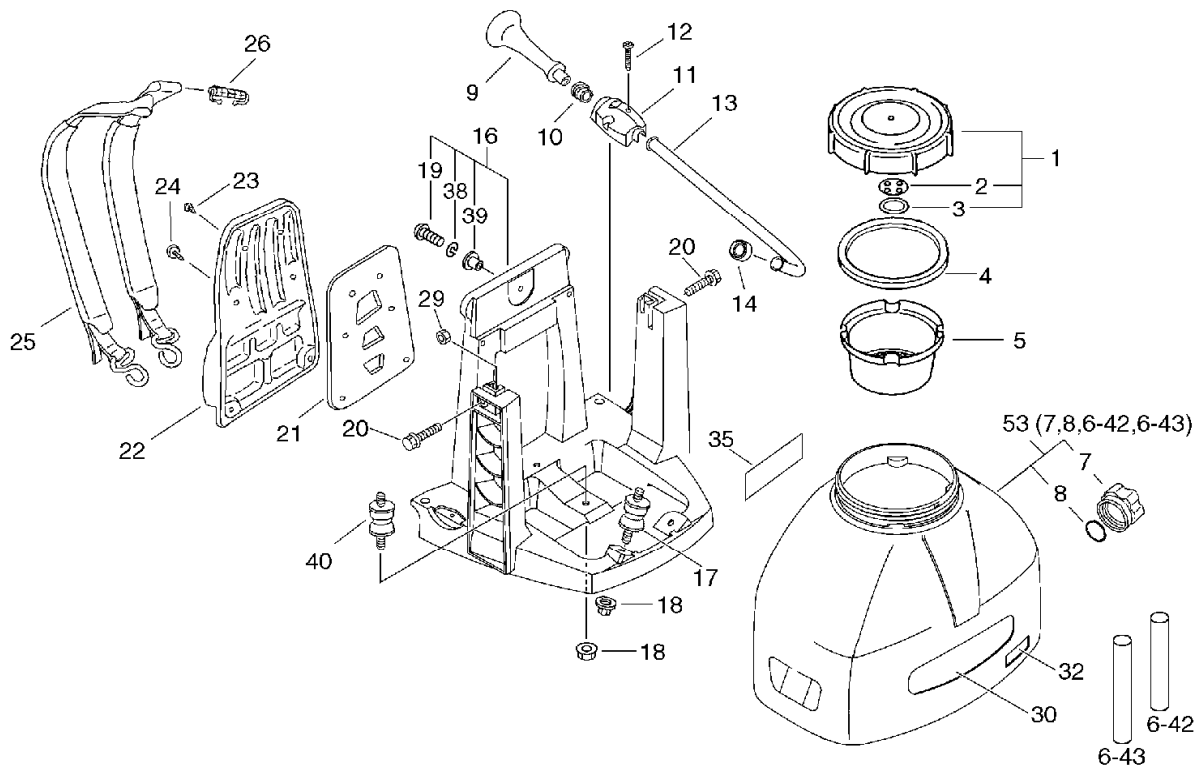
KEY	LV	PART NUMBER	Q'TY	DESCRIPTION	REMARKS	NOTE1	NOTE2
13		A510-000050	1	GUIDE,ROPE		Sr/Nr 36003536 and before	
14		V420-000630	1	CUSHION			
16		C620-000160	1	FRAME,BACKPACK		Sus. by P021-010050	
16		P021-010050	1	FRAME, BACKPACK KIT		Sr/Nr 36003536 and before	
19	+	900220-06015	1	SCREW +-SR 6*15	6*15	Sr/Nr 36003536 and before Can be used on the P021-010050 only	
38	+	900605-00006	1	WASHER, SPRING 6	6	Sr/Nr 36003536 and before Can be used on the P021-010050 only	
39	+	V354-000150	1	COLLAR,6	7*9.2*6-14*2	Sr/Nr 36003536 and before Can be used on the P021-010050 only	
17		104910-11410	3	CUSHION		Sus. by V402-000010	
17		V402-000010	3	CUSHION,6			
17		V402-000010	2	CUSHION,6		Q'ty:2	

10. Chemical Tank, Harness(Sr/Nr 36003536 and before)



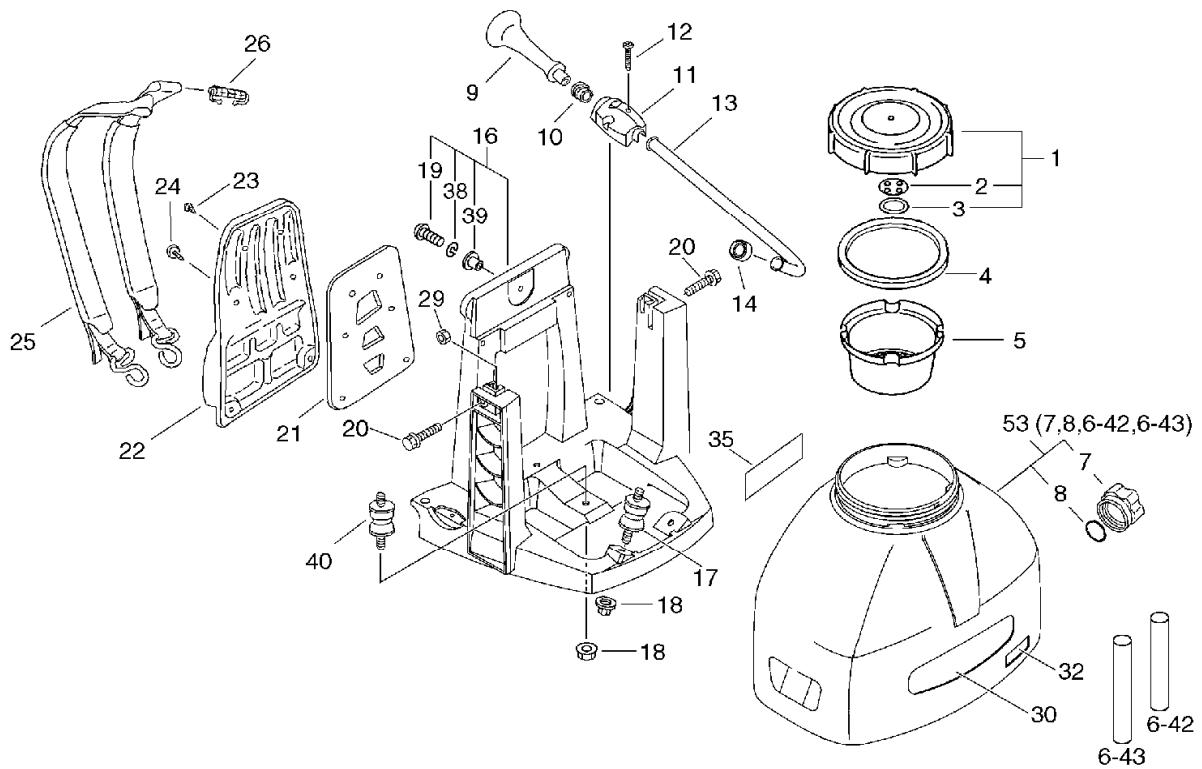
KEY	LV	PART NUMBER	Q'TY	DESCRIPTION	REMARKS	NOTE1	NOTE2
18		250916-06210	3	NUT			
19		900103-06010	1	BOLT, FLANGE 6*10	6*10		Can be used on the C620-000160 only
20		900103-06020	2	BOLT, FLANGE 6*20	6*20		
21		C630-000030	1	SEAT, BACKPACK			
22		C630-000020	1	SEAT, BACKPACK			
23		300333-06160	2	CLIP			
24		V491-000090	4	CLIP			
25		C061-000090	2	HARNESS, ASM BACKPACK			
26		V491-000040	2	CLIP			
29		900518-00006	2	NUT, FLANGE	6		
30		X502-000090	1	LABEL, ECHO			Sus. by X502-000180
30		X502-000180	1	LABEL, ECHO	ECHO		Sus. by X502-000470
32		X503-004570	1	LABEL, MODEL	SHR-150SI		Sus. by X503-004571
32		X503-004571	1	LABEL, MODEL	SHR-150SI		Sus. by X503-008370
35		890617-13210	1	LABEL, CAUTION			
40		V402-000030	1	CUSHION, 6			

11. Chemical Tank, Harness(Sr/Nr 36003537 to 36003638)



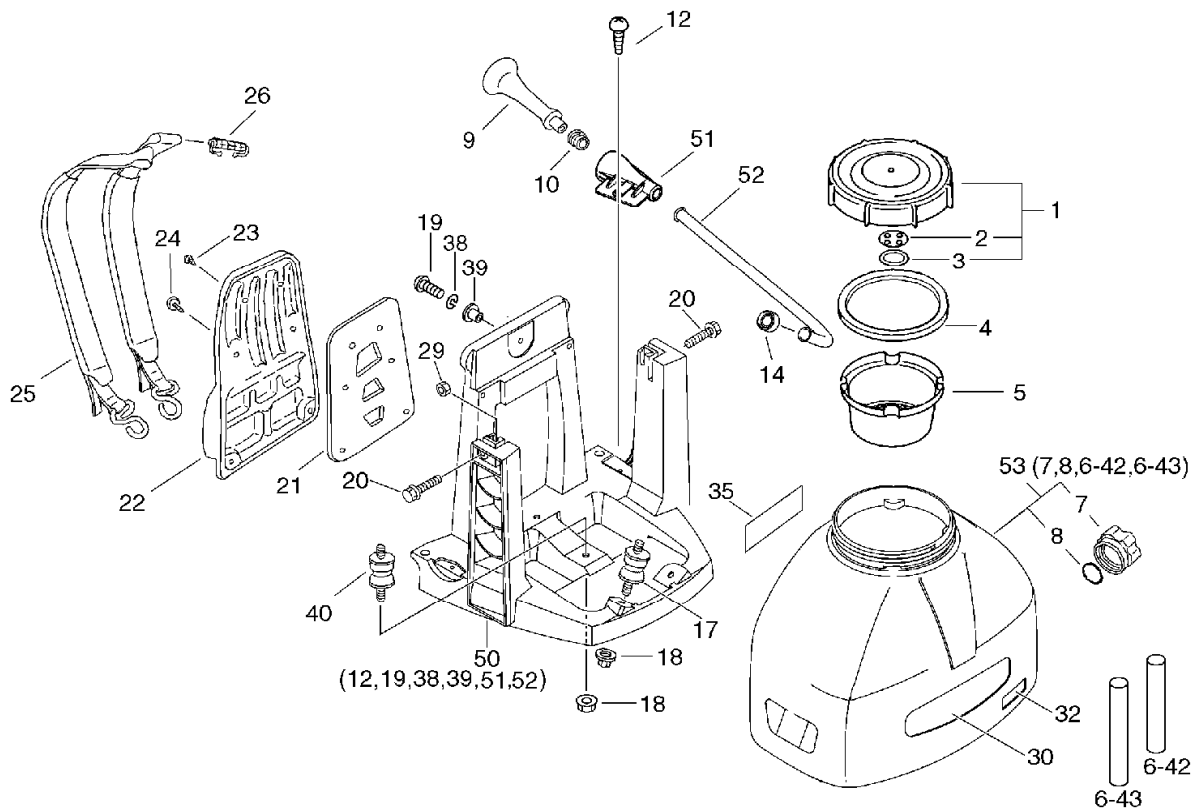
KEY	LV	PART NUMBER	Q'TY	DESCRIPTION	REMARKS	NOTE1	NOTE2
1		250001-14010	1	CAP, CHEMICAL TANK			
2	+	250026-11310	1	VALVE, AIR			
3	+	250027-11310	1	PACKING			
4		250011-01110	1	GASKET, CHMCL. TANK			
5		E220-000010	1	FILTER,TANK			
53		P021-014410	1	TANK,CHEMICAL,ASY		Sr/Nr 36003537 and after	
7	+	250211-11410	1	NUT, HOSE			
8	+	900720-30028	1	O-RING P-28 (F)	P-28		
9		A511-000050	1	GRIP,STARTER			
10		A510-000040	1	GUIDE,ROPE			
11		C405-000080	1	BRACKET,HANDLE		Sr/Nr 36003638 and before	
12		91428-05020	2	SCREW TAPPING	5*20 SUS	Sr/Nr 36003638 and before Qty 2- >1	
13		A510-000050	1	GUIDE,ROPE		Sr/Nr 36003638 and before	
14		V420-000630	1	CUSHION			
16		P021-010050	1	FRAME, BACKPACK KIT		Sr/Nr 36003536 and before	
19	+	900220-06015	1	SCREW +-SR 6*15	6*15	Sr/Nr 36003536 and before Can be used on the P021- 010050 only	

11. Chemical Tank, Harness(Sr/Nr 36003537 to 36003638)



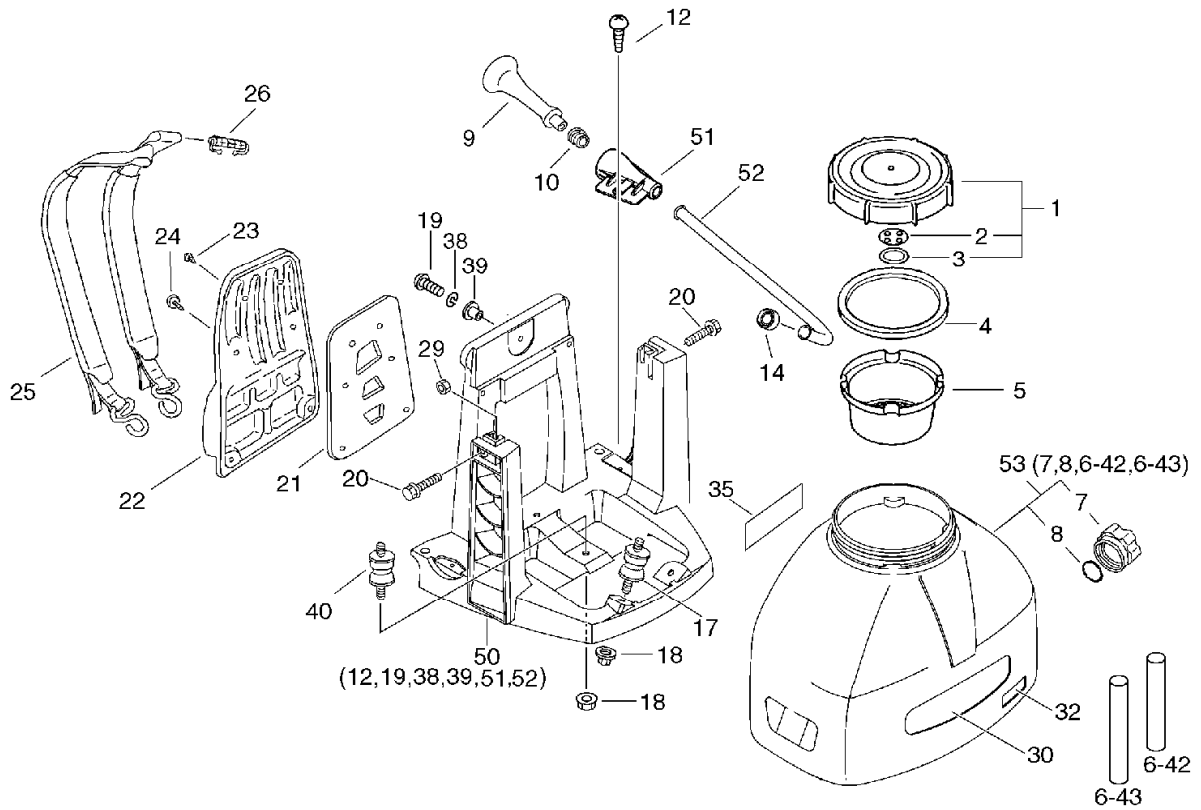
KEY	LV	PART NUMBER	Q'TY	DESCRIPTION	REMARKS	NOTE1	NOTE2
38	+	900605-00006	1	WASHER, SPRING 6	6		Sr/Nr 36003536 and before Can be used on the P021-010050 only
39	+	V354-000150	1	COLLAR,6	7*9.2*6-14*2		Sr/Nr 36003536 and before Can be used on the P021-010050 only
17		V402-000010	2	CUSHION,6			
18		250916-06210	3	NUT			
20		900103-06020	2	BOLT, FLANGE 6*20	6*20		
21		C630-000030	1	SEAT, BACKPACK			
22		C630-000020	1	SEAT, BACKPACK			
23		300333-06160	2	CLIP			
24		V491-000090	4	CLIP			
25		C061-000090	2	HARNESS, ASM BACKPACK			
26		V491-000040	2	CLIP			
29		900518-00006	2	NUT, FLANGE	6		
30		X502-000470	1	LABEL, ECHO			
32		X503-008370	1	LABEL, MODEL	SHR-150SI		
35		890617-13210	1	LABEL, CAUTION			
40		V402-000030	1	CUSHION,6			

12. Chemical Tank, Harness(Sr/Nr 36003639 and after)



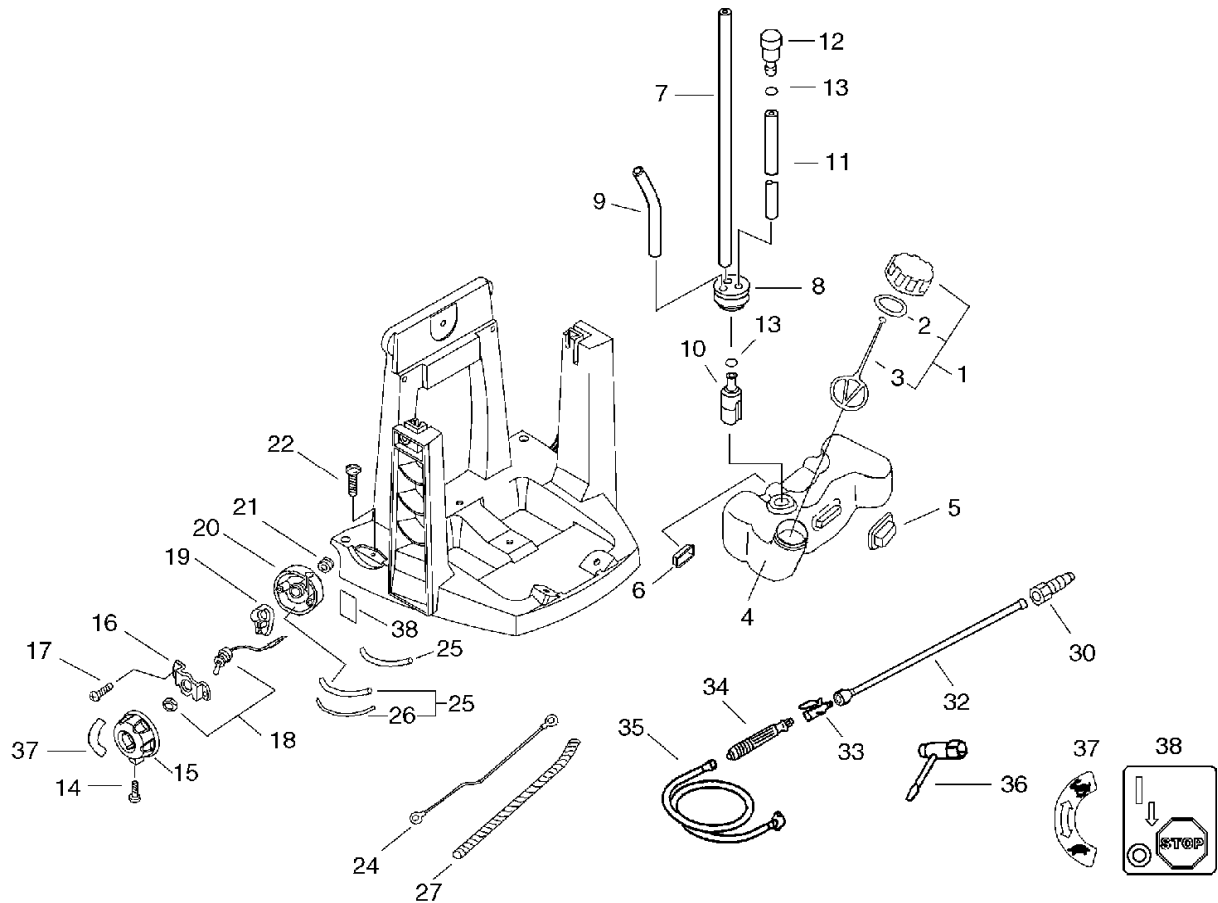
KEY	LV	PART NUMBER	Q'TY	DESCRIPTION	REMARKS	NOTE1	NOTE2
1		250001-14010	1	CAP, CHEMICAL TANK			
2	+	250026-11310	1	VALVE, AIR			
3	+	250027-11310	1	PACKING			
4		250011-01110	1	GASKET, CHMCL. TANK			
5		E220-000010	1	FILTER,TANK			
53		P021-014410	1	TANK,CHEMICAL,ASY		Sr/Nr 36003537 and after	
7	+	250211-11410	1	NUT, HOSE			
8	+	900720-30028	1	O-RING P-28 (F)	P-28		
9		A511-000050	1	GRIP,STARTER			
10		A510-000040	1	GUIDE,ROPE			
14		V420-000630	1	CUSHION			
50		P021-014850	1	FRAME, BACKPACK KIT		Sr/Nr 36003639 and after	
19	+	900220-06015	1	SCREW +-SR 6*15	6*15	Sr/Nr 36003639 and after	
38	+	900605-00006	1	WASHER, SPRING 6	6	Sr/Nr 36003639 and after	
39	+	V354-000150	1	COLLAR,6	7*9.2*6-14*2	Sr/Nr 36003639 and after	
51	+	C405-000190	1	BRACKET,HANDLE		Sr/Nr 36003639 and after	
52	+	A510-000080	1	GUIDE, ROPE	10*216	Sr/Nr 36003639 and after	
12	+	91428-05020	1	SCREW TAPPING	5*20 SUS	Sr/Nr 36003639 and after	

12. Chemical Tank, Harness(Sr/Nr 36003639 and after)



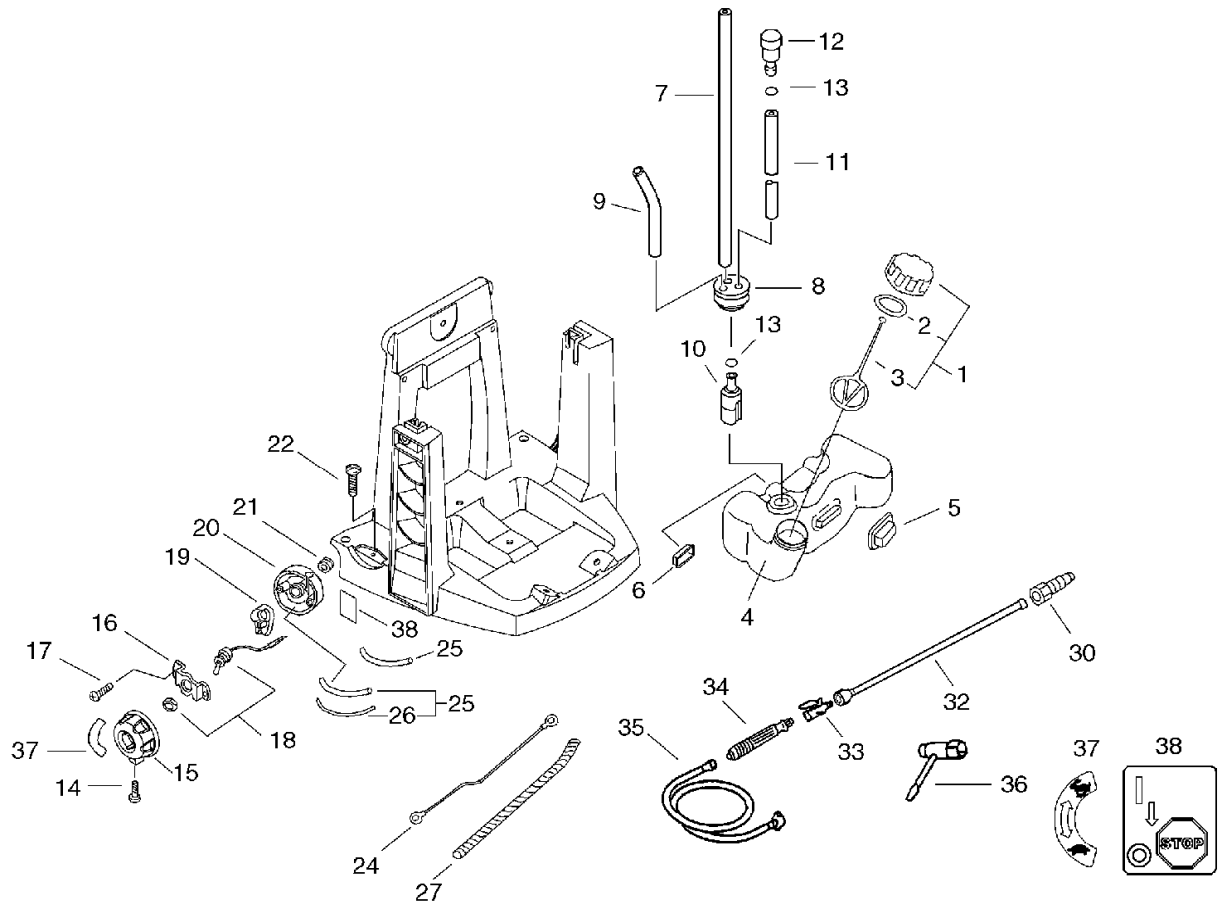
KEY	LV	PART NUMBER	Q'TY	DESCRIPTION	REMARKS	NOTE1	NOTE2
17		V402-000010	2	CUSHION,6			
18		250916-06210	3	NUT			
20		900103-06020	2	BOLT, FLANGE 6*20	6*20		
21		C630-000030	1	SEAT, BACKPACK			
22		C630-000020	1	SEAT, BACKPACK			
23		300333-06160	2	CLIP			
24		V491-000090	4	CLIP			
25		C061-000090	2	HARNES, ASM BACKPACK			
26		V491-000040	2	CLIP			
29		900518-00006	2	NUT, FLANGE	6		
30		X502-000470	1	LABEL, ECHO			
32		X503-008370	1	LABEL, MODEL	SHR-150SI		
35		890617-13210	1	LABEL, CAUTION			
40		V402-000030	1	CUSHION,6			

13. Fuel Tank, Nozzle(Sr/Nr 36003536 and before)



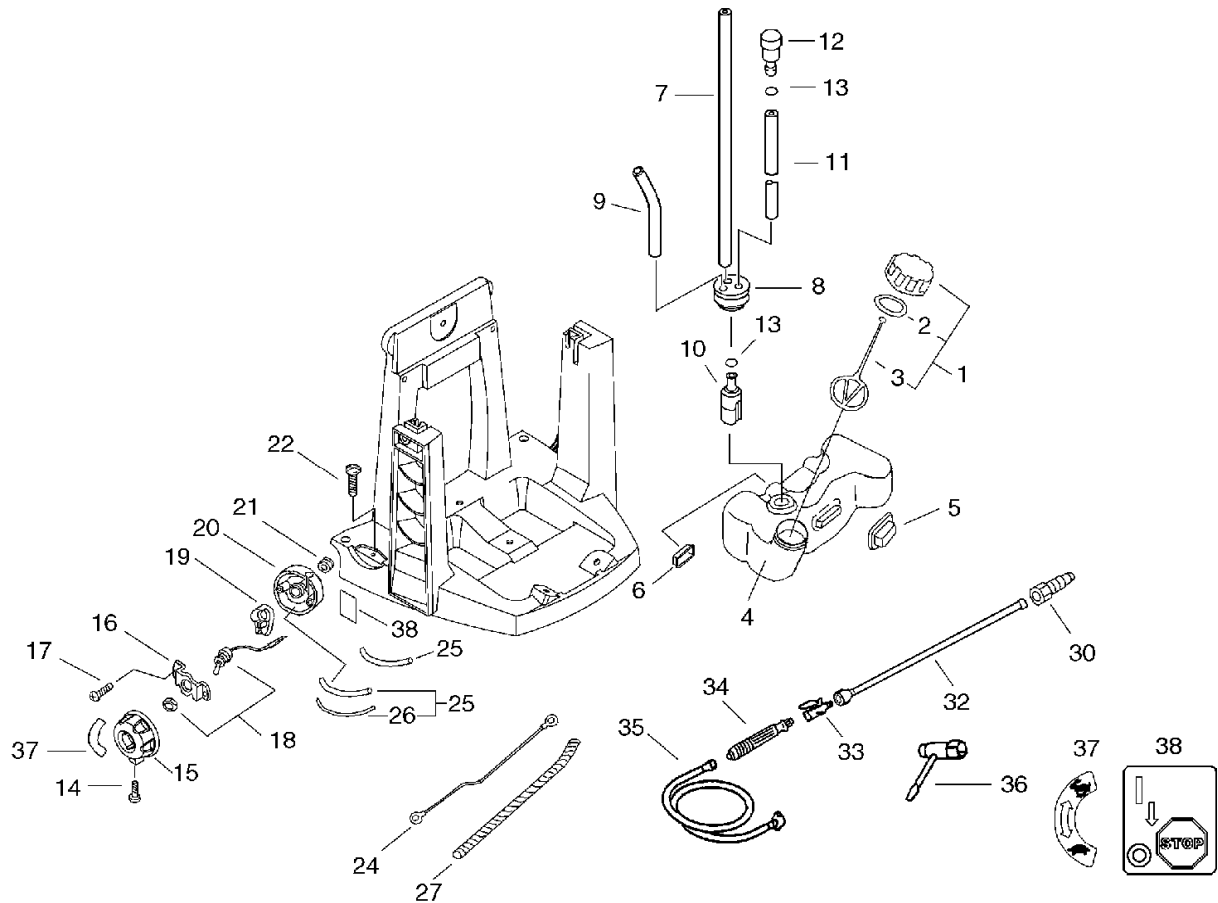
KEY	LV	PART NUMBER	Q'TY	DESCRIPTION	REMARKS	NOTE1	NOTE2
1		131004-55530	1	CAP ASSY, FUEL TANK			
2	+	131016-55830	1	GASKET, FUEL CAP			
3	+	131051-56030	1	CLIP, FUEL CAP	100L		
4		A350-000250	1	TANK,FUEL			
5		131920-61830	1	CUSHION, FUEL TANK			
6		131920-55430	2	CUSHION, FUEL TANK			
7		132010-52030	1	PIPE	3*6*170 NBR		
8		132115-46730	1	GROMMET, FUEL			
9		132010-56330	1	PIPE 3*6*90	3*6*90 YL		
10		131205-07320	1	STRAINER, FUEL			
11		V471-000110	1	PIPE	3*6*115		
12		131300-56430	1	VALVE, CHECK			
13		132013-26630	2	CLIP	6.5MM		
14		900253-04014	1	SCREW 4*14	4*14		
15		C473-000010	1	KNOB,THROTTLE			
16		A439-000100	1	BRACKET,SWITCH			
17		900252-04010	2	SCREW 4*10	4*10		
18		A440-000420	1	SWITCH,ON OFF			
19		C453-000080	1	LEVER,THROTTLE			
20		C471-000070	1	FIXTURE,TRIGGER			
21		150614-02910	1	GROMMET			
22		91428-05020	1	SCREW TAPPING	5*20 SUS		
24		V485-000400	1	LEAD			
25		V471-000930	1	PIPE	3*6*70	Sus. by P021-007120	
25		P021-007120	1	SPRING,FLAT SET			

13. Fuel Tank, Nozzle(Sr/Nr 36003536 and before)



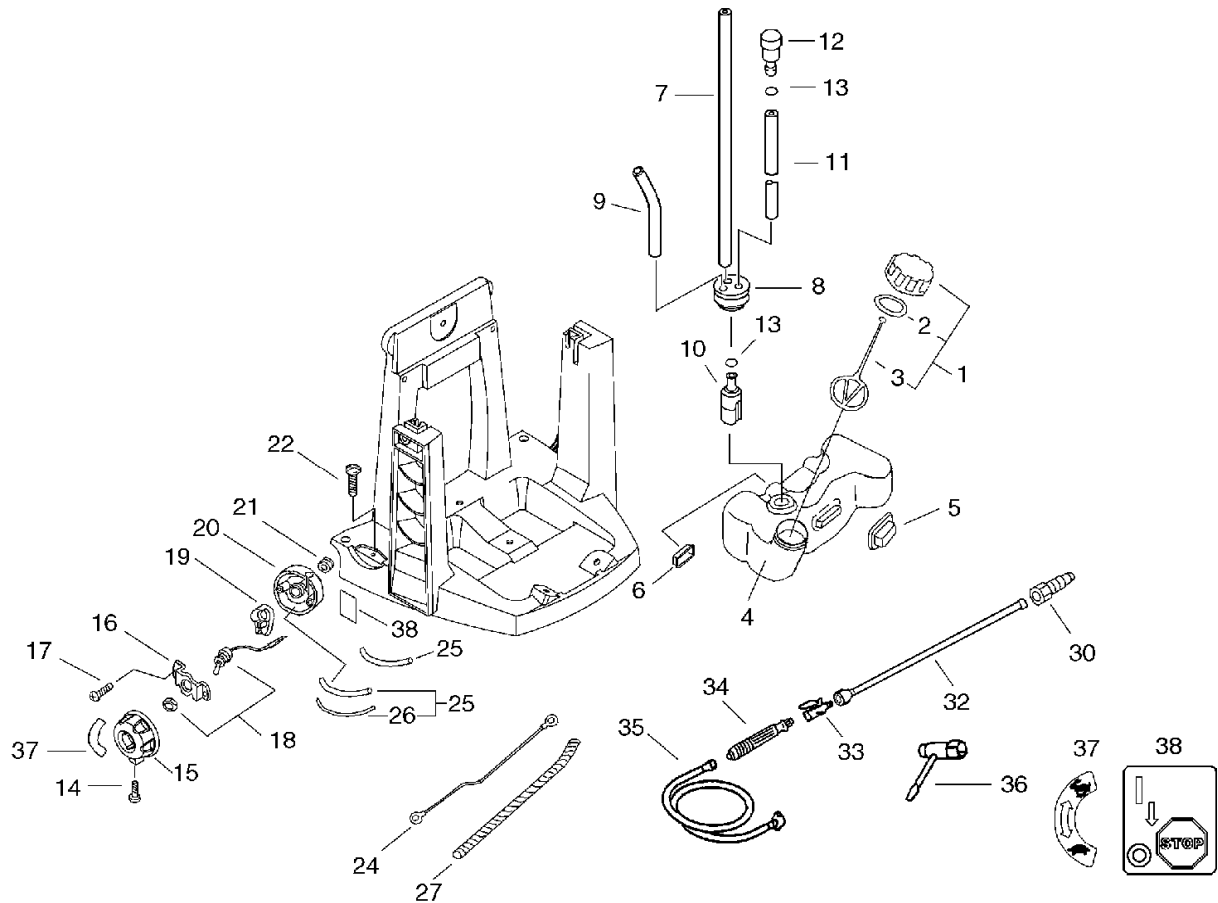
KEY	LV	PART NUMBER	Q'TY	DESCRIPTION	REMARKS	NOTE1	NOTE2
26	+	V453-000050	1	SPRING,FLAT			
27		V475-002740	1	TUBE	10*160L		
30		224103-10610	1	NOZZLE, ADJUSTABLE			
32		224102-11611	1	PIPE, NOZZLE	PF1/4*645L	Sus. by E270-000030	
32		E270-000030	1	PIPE,NOZZLE	AG2003-020		
33		224400-11710	1	VALVE, NOZZLE	PF1/4	Sus. by E245-000050	
33		E245-000050	1	COCK,LIQUID	2-PF1/4 M*F	Sus. by E245-000051	
33		E245-000051	1	COCK,LIQUID		Sus. by E245-000070	
33		E245-000070	1	COCK,LIQUID			
34		E271-000000	1	GRIP,NOZZLE			
35		384002-12710	1	HOSE 7.5*1.2M BL	7.5*1.2M BL		
36		895410-03930	1	WRENCH, W/S. DRIVER			
37		890015-13210	1	LABEL, THROTTLE			
38		890157-06560	1	LABEL, SWITCH			

14. Fuel Tank, Nozzle(Sr/Nr 36003537 to 36003638)



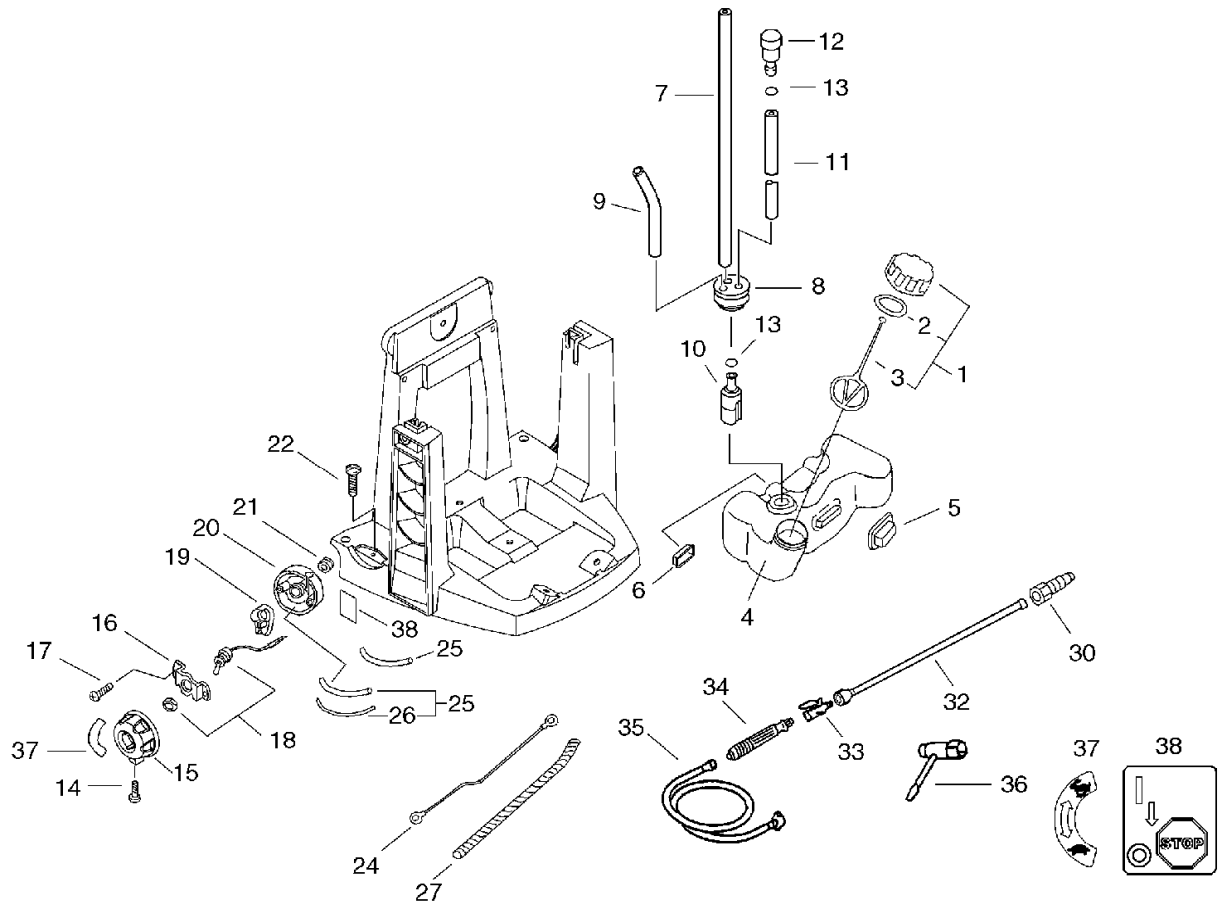
KEY	LV	PART NUMBER	Q'TY	DESCRIPTION	REMARKS	NOTE1	NOTE2
1		131004-55530	1	CAP ASSY, FUEL TANK			
2	+	131016-55830	1	GASKET, FUEL CAP			
3	+	131051-56030	1	CLIP, FUEL CAP	100L		
4		A350-000250	1	TANK,FUEL			
5		131920-61830	1	CUSHION, FUEL TANK			
6		131920-55430	2	CUSHION, FUEL TANK			
7		132010-52030	1	PIPE	3*6*170 NBR		
8		132115-46730	1	GROMMET, FUEL			
9		132010-56330	1	PIPE 3*6*90	3*6*90 YL		
10		131205-07320	1	STRAINER, FUEL			
11		V471-000110	1	PIPE	3*6*115		
12		131300-56430	1	VALVE, CHECK			
13		132013-26630	2	CLIP	6.5MM		
14		900253-04014	1	SCREW 4*14	4*14		
15		C473-000011	1	KNOB,THROTTLE			
16		A439-000100	1	BRACKET,SWITCH			
17		900252-04010	2	SCREW 4*10	4*10		
18		A440-000420	1	SWITCH,ON OFF			
19		C453-000080	1	LEVER,THROTTLE			
20		C471-000070	1	FIXTURE,TRIGGER			
21		150614-02910	1	GROMMET			
22		91428-05020	1	SCREW TAPPING	5*20 SUS		
24		V485-000400	1	LEAD			
25		P021-007120	1	SPRING,FLAT SET			
26	+	V453-000050	1	SPRING,FLAT			
27		V475-002740	1	TUBE	10*160L		

14. Fuel Tank, Nozzle(Sr/Nr 36003537 to 36003638)



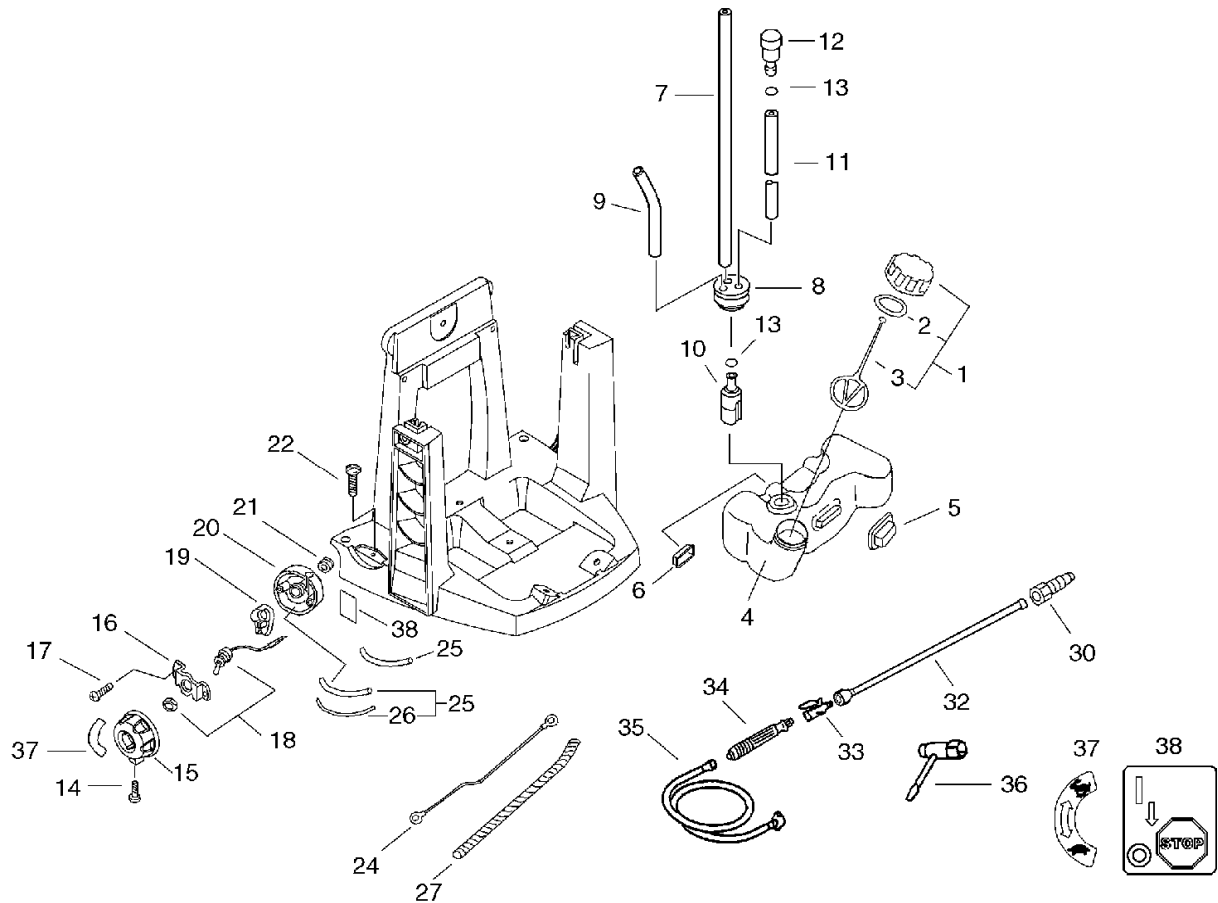
KEY	LV	PART NUMBER	Q'TY	DESCRIPTION	REMARKS	NOTE1	NOTE2
30		224103-10610	1	NOZZLE, ADJUSTABLE			
32		E270-000030	1	PIPE,NOZZLE	AG2003-020		
33		E245-000070	1	COCK,LIQUID			
34		E271-000000	1	GRIP,NOZZLE			
35		384002-12710	1	HOSE 7.5*1.2M BL	7.5*1.2M BL		
36		895410-03930	1	WRENCH, W/S. DRIVER			
37		890015-13210	1	LABEL, THROTTLE			
38		890157-06560	1	LABEL, SWITCH			

15. Fuel Tank, Nozzle(Sr/Nr 36003639 and after)



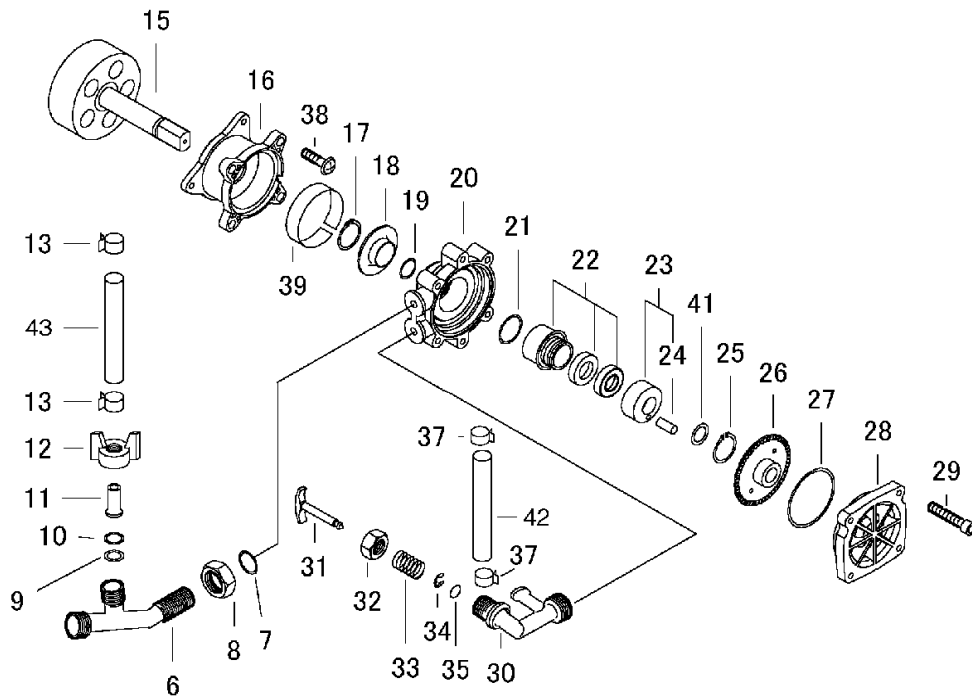
KEY	LV	PART NUMBER	Q'TY	DESCRIPTION	REMARKS	NOTE1	NOTE2
1		131004-55530	1	CAP ASSY, FUEL TANK			
2	+	131016-55830	1	GASKET, FUEL CAP			
3	+	131051-56030	1	CLIP, FUEL CAP	100L		
4		A350-000250	1	TANK,FUEL			
5		131920-61830	1	CUSHION, FUEL TANK			
6		131920-55430	2	CUSHION, FUEL TANK			
7		132010-52030	1	PIPE	3*6*170 NBR		
8		132115-46730	1	GROMMET, FUEL			
9		132010-56330	1	PIPE 3*6*90	3*6*90 YL		
10		131205-07320	1	STRAINER, FUEL			
11		V471-000110	1	PIPE	3*6*115		
12		131300-56430	1	VALVE, CHECK			
13		132013-26630	2	CLIP	6.5MM		
14		900253-04014	1	SCREW 4*14	4*14		
15		C473-000011	1	KNOB,THROTTLE			
16		A439-000100	1	BRACKET,SWITCH			
17		900252-04010	2	SCREW 4*10	4*10		
18		A440-000420	1	SWITCH,ON OFF			
19		C453-000080	1	LEVER,THROTTLE			
20		C471-000070	1	FIXTURE,TRIGGER			
21		150614-02910	1	GROMMET			
22		91428-05020	1	SCREW TAPPING	5*20 SUS		
24		V485-000400	1	LEAD			
25		P021-007120	1	SPRING,FLAT SET			
26	+	V453-000050	1	SPRING,FLAT			
27		V475-002740	1	TUBE	10*160L		

15. Fuel Tank, Nozzle(Sr/Nr 36003639 and after)



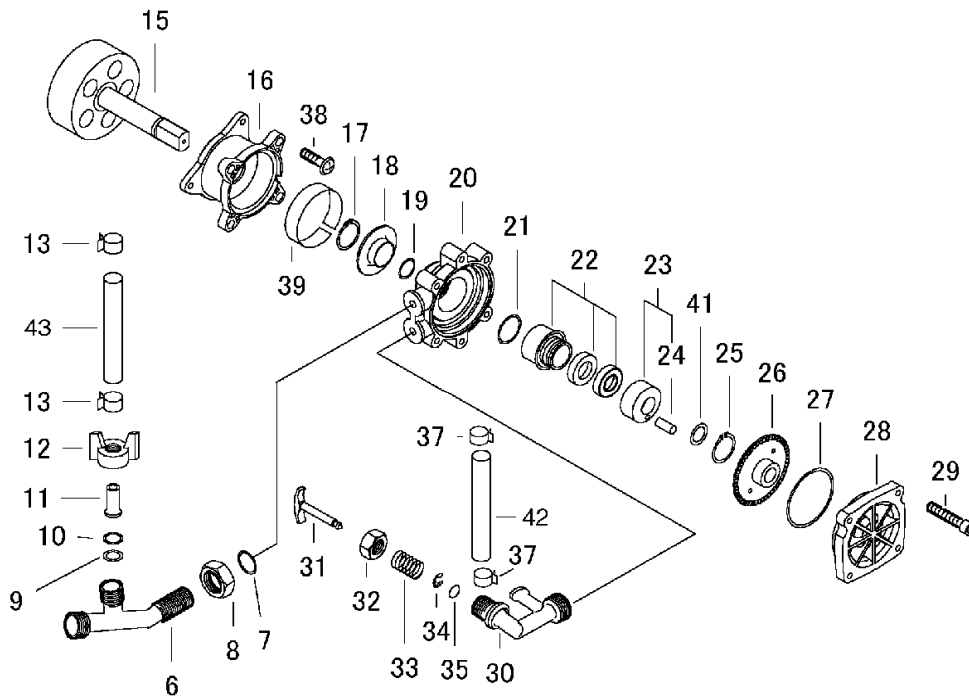
KEY	LV	PART NUMBER	Q'TY	DESCRIPTION	REMARKS	NOTE1	NOTE2
30		224103-10610	1	NOZZLE, ADJUSTABLE			
32		E270-000030	1	PIPE,NOZZLE	AG2003-020		
33		E245-000070	1	COCK,LIQUID			
34		E271-000000	1	GRIP,NOZZLE			
35		384002-12710	1	HOSE 7.5*1.2M BL	7.5*1.2M BL		
36		895410-03930	1	WRENCH, W/S. DRIVER			
37		890015-13210	1	LABEL, THROTTLE			
38		890157-06560	1	LABEL, SWITCH			

16. Pump(Sr/Nr 36003536 and before)



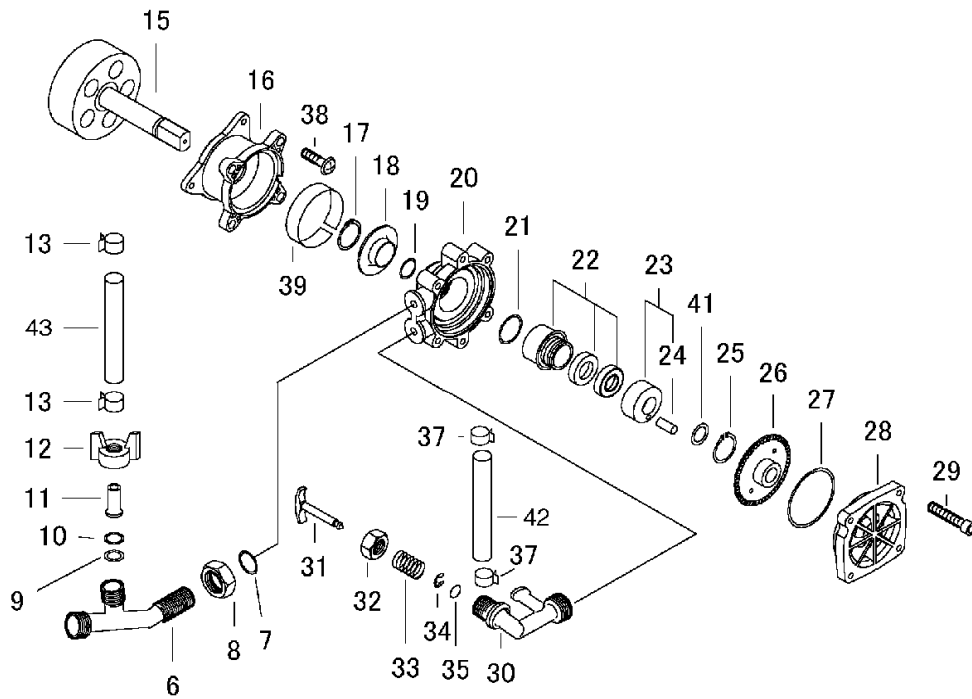
KEY	LV	PART NUMBER	Q'TY	DESCRIPTION	REMARKS	NOTE1	NOTE2
6		384013-11610	1	NIPPLE, OUTLET PUMP			
7		900722-00100	1	O-RING P-10A	P-10A(NBR)		
8		384029-10510	1	NUT	1/4		
9		386018-10510	1	WASHER,CIRCULAR			
10		386019-10510	1	GASKET,BYPASS NOZZLE			
11		386013-14010	1	NIPPLE, HOSE			
12		386015-10510	1	NUT, WING		Sus. by 386015-10511	
13		132013-14010	2	BAND	10.5MM		
14		382011-15310	1	PIPE	7*11*260	Sr/Nr 36003536 and before	
15		A556-000240	1	DRUM,CLUTCH			
16		E202-000030	1	BASE,PUMP			
17		900701-00012	1	CIRCLIP 12	CS-12		
18		405114-10510	1	PLATE			
19		900724-30010	1	O-RING	S-10 4D		
20		E203-000010	1	CASE,PUMP		Sus. by E203-000012	
20		E203-000011	1	CASE,PUMP		Sus. by E203-000012	
20		E203-000012	1	CASE,PUMP			
21		900724-00029	1	O-RING (S-29)	S-29		
22		405100-11410	1	SEAL, UNIT			
23		E207-000000	1	COUPLING,SEAL UNIT		Sus. by P021-006750	
23		P021-006750	1	COUPLING,SEAL UNIT			

16. Pump(Sr/Nr 36003536 and before)



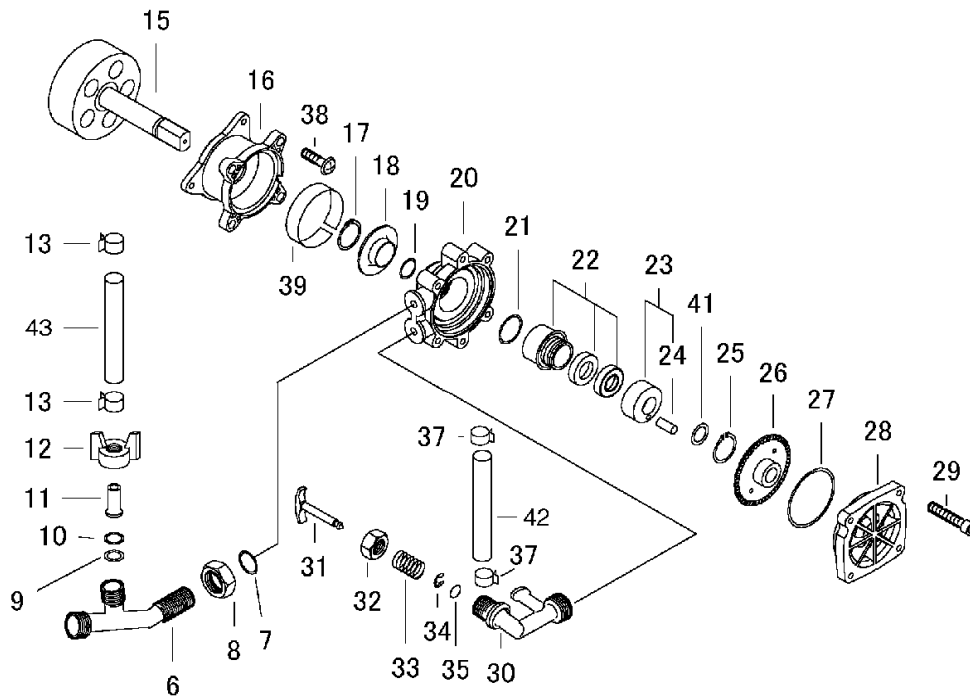
KEY	LV	PART NUMBER	Q'TY	DESCRIPTION	REMARKS	NOTE1	NOTE2
24	+	405113-10510	1	PIN		Can be used on the P021-006750 only	
25		900704-00012	1	CIRCLIP 12	CS-12 SUS		
26		405110-10512	1	IMPELLER			
27		900724-30067	1	O-RING	S-67		
28		E205-000000	1	LID,PUMP		Sus. by E205-000001	
28		E205-000001	1	LID,PUMP			
29		900162-05040	4	BOLT, H.S. 5*40	5*40 W,SW		
30		E230-000080	1	NIPPLE,HOSE		Sus. by E205-000001	
30		E230-000081	1	NIPPLE,HOSE			
31		E412-000000	1	ROD,VALVE		Sus. by E230-000081	
31		E412-000010	1	ROD,VALVE			
32		V270-000000	1	NUT,16			
33		V450-000310	1	SPRING,COMPRESSION			
34		900703-00004	1	E-RING 4 SUS	CE-4 SUS		
35		92500-00305	1	O-RING	P3 JI 92457050		
36		V471-000920	1	PIPE	10*15*170	Sr/Nr 36003536 and before	
37		357013-14010	2	CLIP 15		Sus. by 357013-14011	
37		357013-14011	2	CLIP			

16. Pump(Sr/Nr 36003536 and before)



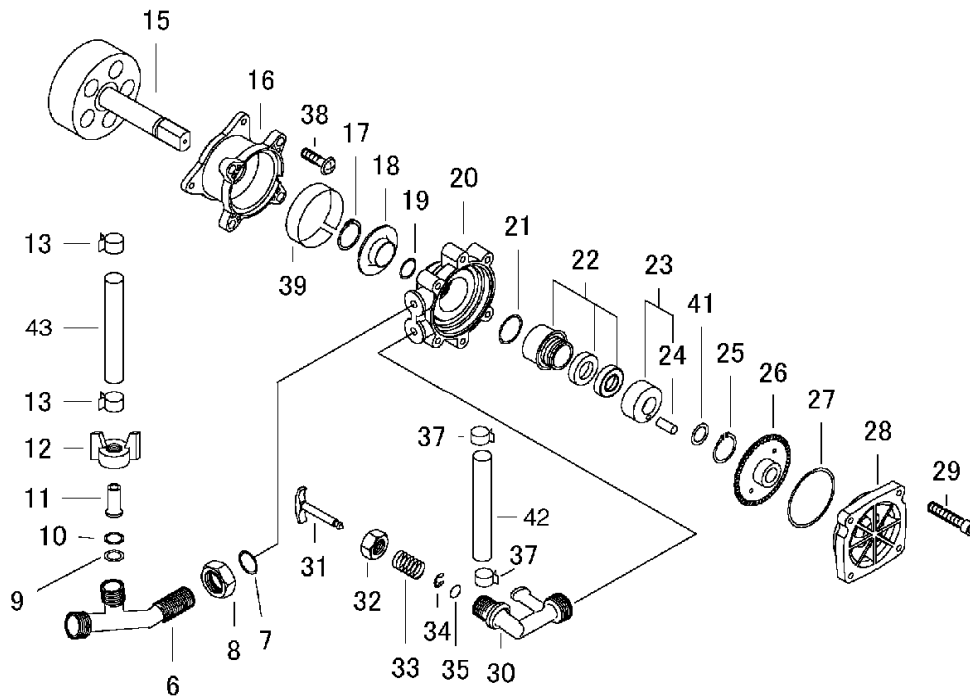
KEY	LV	PART NUMBER	Q'TY	DESCRIPTION	REMARKS	NOTE1	NOTE2
38		900239-05016	3	SCREW 5*16	5*16		
39		V420-000950	1	CUSHION			
41		400111-11410	1	WASHER	12.2*20*0.5		

17. Pump(Sr/Nr 36003537 to 36003638)



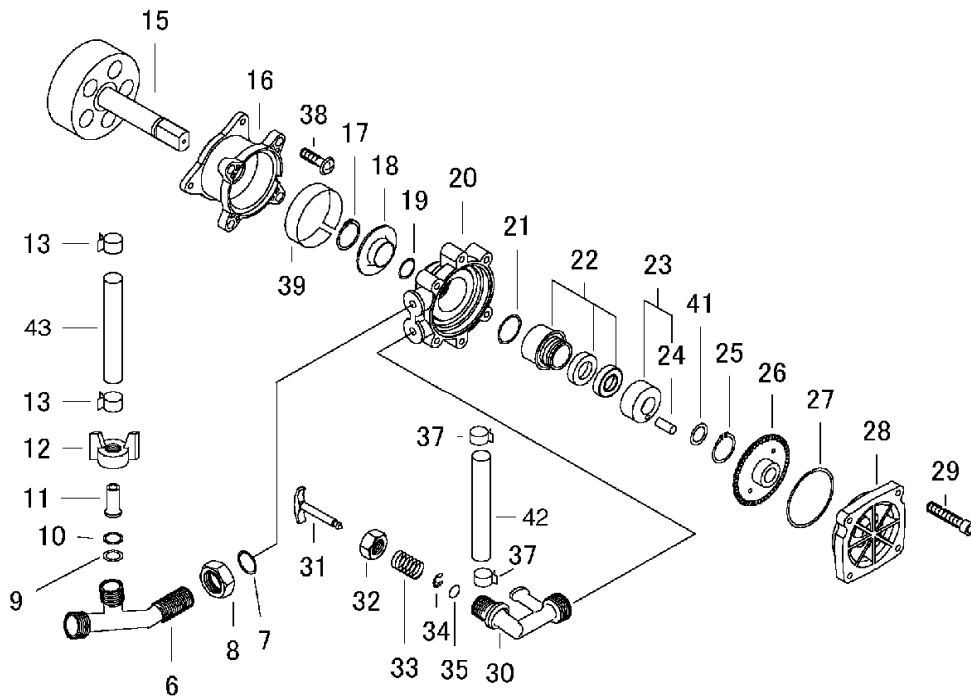
KEY	LV	PART NUMBER	Q'TY	DESCRIPTION	REMARKS	NOTE1	NOTE2
6		384013-11610	1	NIPPLE, OUTLET PUMP			
7		900722-00100	1	O-RING P-10A	P-10A(NBR)		
8		384029-10510	1	NUT	1/4		
9		386018-10510	1	WASHER,CIRCULAR			
10		386019-10510	1	GASKET,BYPASS NOZZLE			
11		386013-14010	1	NIPPLE, HOSE			
12		386015-10511	1	NUT, WING			
13		132013-14010	2	BAND	10.5MM		
43		V471-002120	1	PIPE	7*11*130	Sr/Nr 36003537 and after	
15		A556-000240	1	DRUM,CLUTCH			
16		E202-000030	1	BASE,PUMP			
17		900701-00012	1	CIRCLIP 12	CS-12		
18		405114-10510	1	PLATE			
19		900724-30010	1	O-RING	S-10 4D		
20		E203-000012	1	CASE,PUMP			
21		900724-00029	1	O-RING (S-29)	S-29		
22		405100-11410	1	SEAL, UNIT			
23		P021-006750	1	COUPLING, SEAL UNIT			
24	+	405113-10510	1	PIN			
25		900704-00012	1	CIRCLIP 12	CS-12 SUS		
26		405110-10512	1	IMPELLER			
27		900724-30067	1	O-RING	S-67		
28		E205-000001	1	LID,PUMP			
29		900162-05040	4	BOLT, H.S. 5*40	5*40 W,SW		
30		E230-000081	1	NIPPLE,HOSE			

17. Pump(Sr/Nr 36003537 to 36003638)



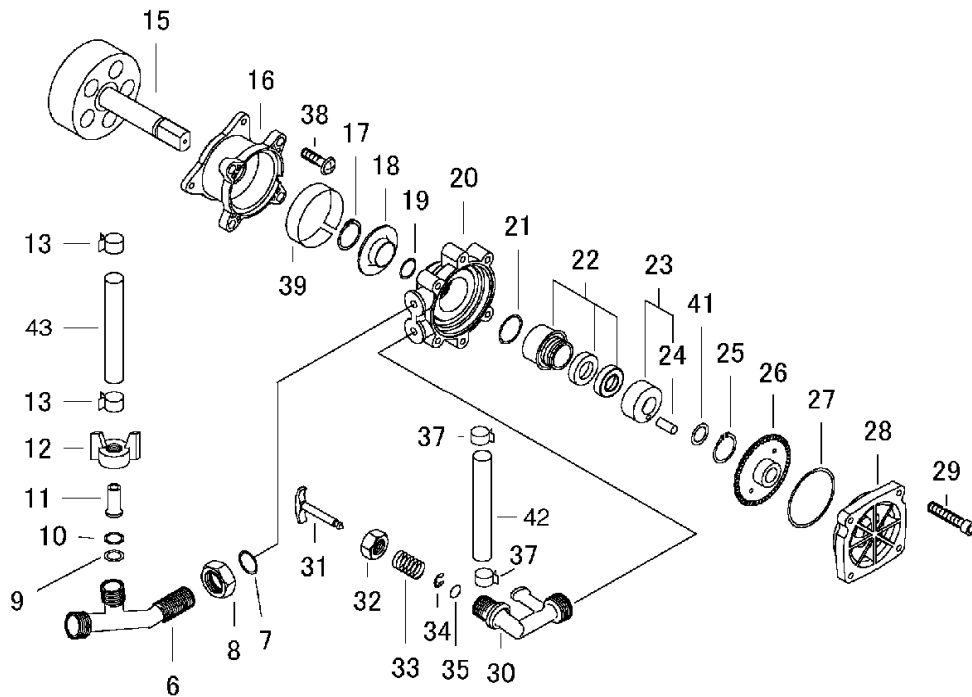
KEY	LV	PART NUMBER	Q'TY	DESCRIPTION	REMARKS	NOTE1	NOTE2
31		E412-000010	1	ROD,VALVE			
32		V270-000000	1	NUT,16			
33		V450-000310	1	SPRING,COMPRESSION			
34		900703-00004	1	E-RING 4 SUS	CE-4 SUS		
35		92500-00305	1	O-RING	P3 JI 92457050		
42		V471-001340	1	PIPE	10*15*160	Sr/Nr 36003537 and after	
37		357013-14011	2	CLIP			
38		900239-05016	3	SCREW 5*16	5*16		
39		V420-000950	1	CUSHION			
41		400111-11410	1	WASHER	12.2*20*0.5		

18. Pump(Sr/Nr 36003639 and after)



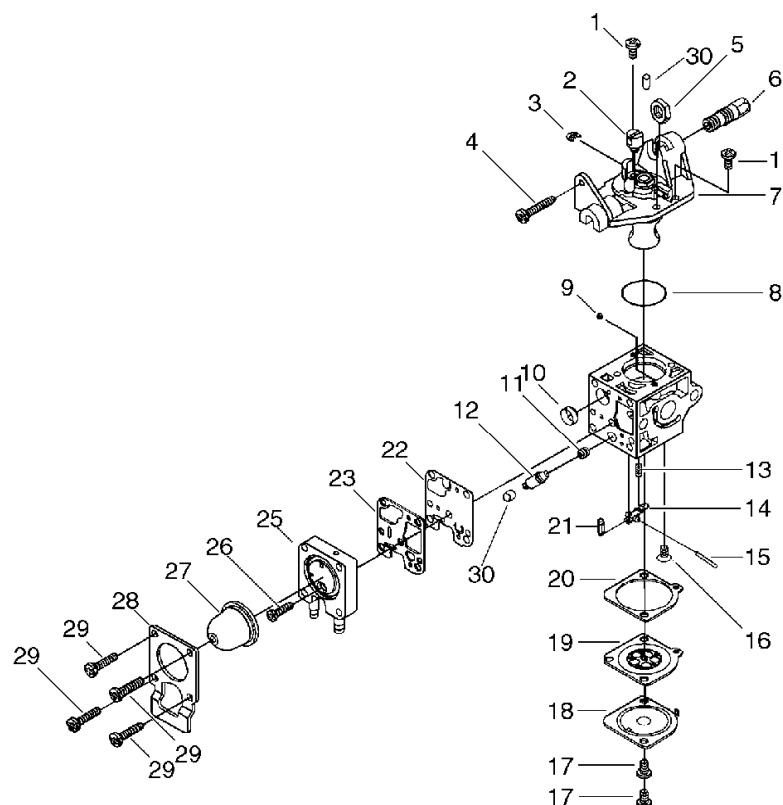
KEY	LV	PART NUMBER	Q'TY	DESCRIPTION	REMARKS	NOTE1	NOTE2
6		384013-11610	1	NIPPLE, OUTLET PUMP			
7		900722-00100	1	O-RING P-10A	P-10A(NBR)		
8		384029-10510	1	NUT	1/4		
9		386018-10510	1	WASHER,CIRCULAR			
10		386019-10510	1	GASKET,BYPASS NOZZLE			
11		386013-14010	1	NIPPLE, HOSE			
12		386015-10511	1	NUT, WING			
13		132013-14010	2	BAND	10.5MM		
43		V471-002120	1	PIPE	7*11*130	Sr/Nr 36003537 and after	
15		A556-000240	1	DRUM,CLUTCH			
16		E202-000030	1	BASE,PUMP			
17		900701-00012	1	CIRCLIP 12	CS-12		
18		405114-10510	1	PLATE			
19		900724-30010	1	O-RING	S-10 4D		
20		E203-000012	1	CASE,PUMP			
21		900724-00029	1	O-RING (S-29)	S-29		
22		405100-11410	1	SEAL, UNIT			
23		P021-006750	1	COUPLING, SEAL UNIT			
24	+	405113-10510	1	PIN			
25		900704-00012	1	CIRCLIP 12	CS-12 SUS		
26		405110-10512	1	IMPELLER			
27		900724-30067	1	O-RING	S-67		
28		E205-000001	1	LID,PUMP			
29		900162-05040	4	BOLT, H.S. 5*40	5*40 W,SW		
30		E230-000081	1	NIPPLE,HOSE			

18. Pump(Sr/Nr 36003639 and after)



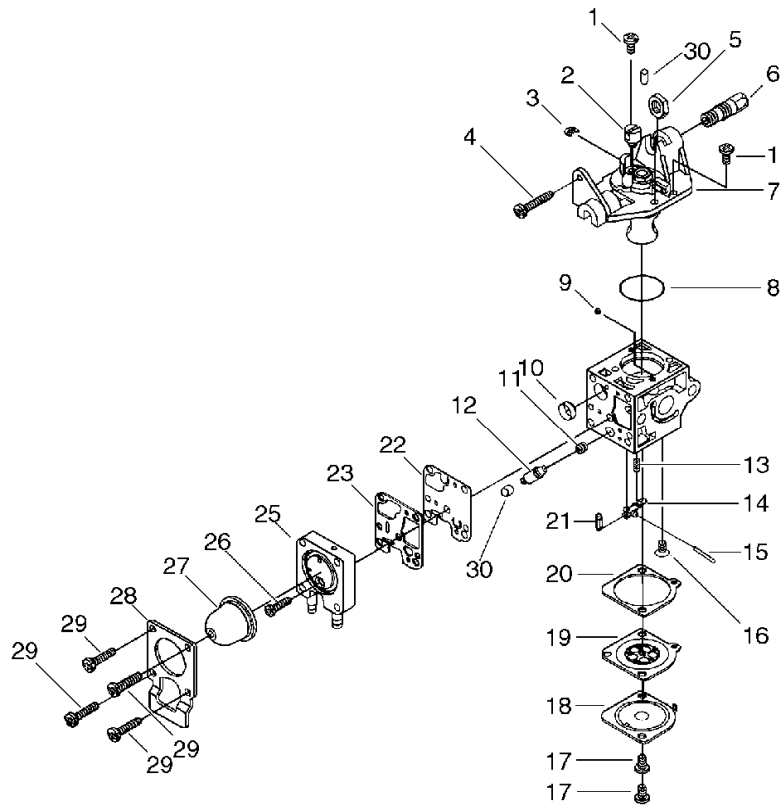
KEY	LV	PART NUMBER	Q'TY	DESCRIPTION	REMARKS	NOTE1	NOTE2
31		E412-000010	1	ROD,VALVE			
32		V270-000000	1	NUT,16			
33		V450-000310	1	SPRING,COMPRESSION			
34		900703-00004	1	E-RING 4 SUS	CE-4 SUS		
35		92500-00305	1	O-RING	P3 JI 92457050		
42		V471-001340	1	PIPE	10*15*160	Sr/Nr 36003537 and after	
37		357013-14011	2	CLIP			
38		900239-05016	3	SCREW 5*16	5*16		
39		V420-000950	1	CUSHION			
41		400111-11410	1	WASHER	12.2*20*0.5		

19. Carburetor(Sr/Nr 36003536 and before)



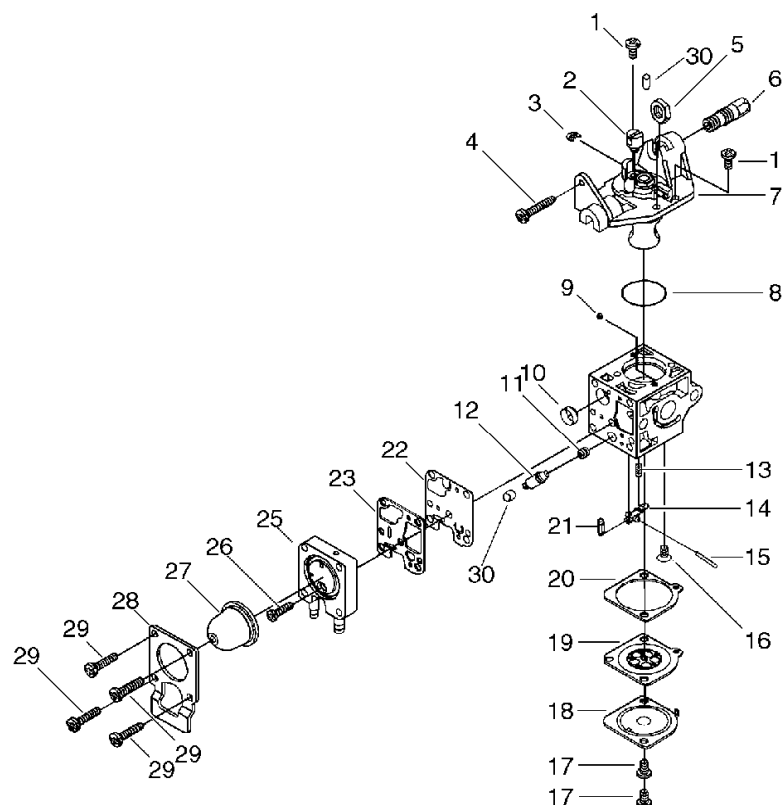
KEY	LV	PART NUMBER	Q'TY	DESCRIPTION	REMARKS	NOTE1	NOTE2
		A021-000660	1	CARBURETOR,DIAPHRAGM	RB-K69	Sus. by A021-000661	
		A021-000661	1	CARBURETOR,DIAPHRAGM	RB-K69A		
1	+	125344-13931	3	SCREW			
2	+	P005-000180	1	POST		Sus. by P005-001240	
2	+	P005-001240	1	POST			
3	+	P005-000190	1	E-RING			
4	+	P005-000100	1	SCREW,THROTTLADJUST			
5	+	125392-62030	1	NUT		Can be used on RB-K69	
6	+	P005-000700	1	SCREW, WIRW ADJUST		Can be used on RB-K69	
6	+	P005-001330	1	SCREW, WIRE ADJUST		Can be used on RB-K69A	
7	+	P005-000690	1	COVER ASY, ROTOR		Can be used on RB-K69	
7	+	P005-001880	1	COVER ASY, ROTOR		Can be used on RB-K69A	
8	+	P005-000280	1	O-RING			
9	+	P005-000740	1	ROLLER, GUIDE		Can be used on RB-K69	
9	+	P005-001000	1	ROLLER, GUIDE		Can be used on RB-K69A	
10	+	P005-000010	1	STRAINER			

19. Carburetor(Sr/Nr 36003536 and before)



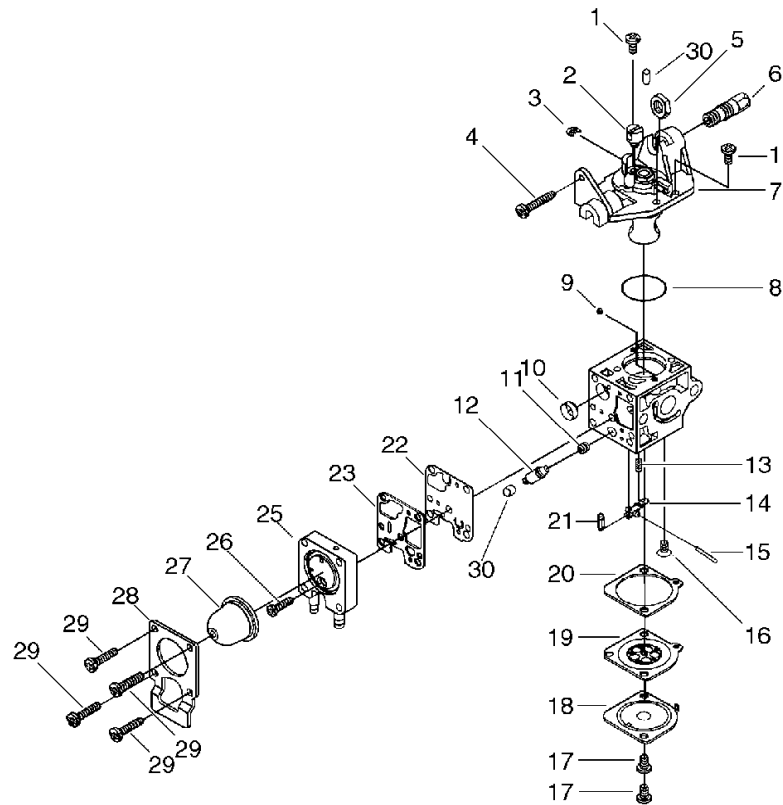
KEY	LV	PART NUMBER	Q'TY	DESCRIPTION	REMARKS	NOTE1	NOTE2
11	+	P005-000960	1	JET		Can be used on RB-K69	
11	+	P005-001260	1	SCREW,MAINN MIXTURE		Can be used on RB-K69A	
12	+	P005-000370	1	PLUG KIT		Can be used on RB-K69	
12	+	P005-001250	1	RETAINER,PLUG BALL		Can be used on RB-K69A	
13	+	125322-07260	1	SPRING, COIL		Can be used on RB-K69	
13	+	125322-12620	1	SPRING, COIL		Can be used on RB-K69A	
14	+	125323-08260	1	ARM, VALVE			
15	+	125338-13930	1	PIN, METERING ARM			
16	+	125339-42030	1	SCREW			
17	+	125344-52130	2	SCREW			
18	+	125342-52130	1	COVER, DIAPHRAGM			
19	+	125341-42030	1	DIAPHRAGM			
20	+	P005-000200	1	GASKET, METERING			
21	+	125337-08260	1	VALVE, INLET NEEDLE			
22	+	P005-000510	1	DIAPHRAGM, PUMP			
23	+	P005-000520	1	GASKET, PUMP			
25	+	P005-000930	1	BASE, ASY PRIMER		Sus. by P005-001890	
25	+	P005-001890	1	BASE, ASY PRIMER			
26	+	P005-000270	1	SCREW			

19. Carburetor(Sr/Nr 36003536 and before)



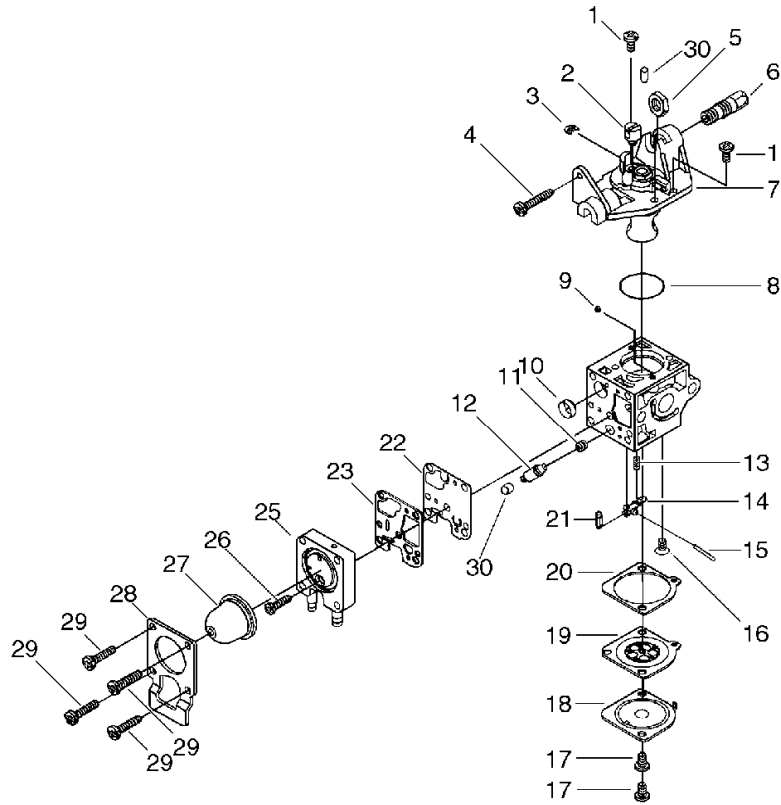
KEY	LV	PART NUMBER	Q'TY	DESCRIPTION	REMARKS	NOTE1	NOTE2
27	+	125381-46730	1	PUMP, PRIMING			
28	+	P005-000250	1	RETAINER			
29	+	125310-61830	4	SCREW		Sus. by P005-001900	
29	+	P005-001900	4	SCREW			
30	+	P005-001270	2	PLUG, H AJUST SCREW		Can be used on RB-K69A	

20. Carburetor(Sr/Nr 36003537 to 36003638)



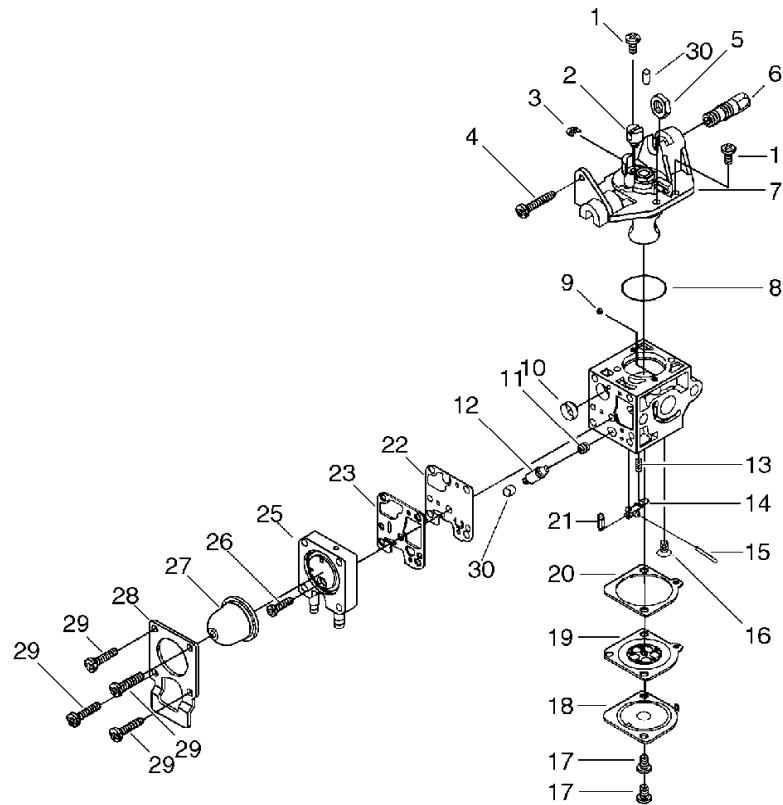
KEY	LV	PART NUMBER	Q'TY	DESCRIPTION	REMARKS	NOTE1	NOTE2
		A021-000661	1	CARBURETOR,DIAPHRAGM	RB-K69A		
1	+	125344-13931	3	SCREW			
2	+	P005-001240	1	POST			
3	+	P005-000190	1	E-RING			
4	+	P005-000100	1	SCREW,THROTTLEADJUST			
6		P005-001330	1	SCREW, WIRE ADJUST			
7	+	P005-001880	1	COVER ASY, ROTOR			
8	+	P005-000280	1	O-RING			
9	+	P005-001000	1	ROLLER, GUIDE			
10	+	P005-000010	1	STRAINER			
11	+	P005-001260	1	SCREW,MAINN MIXTURE			
12	+	P005-001250	1	RETAINER,PLUG BALL			
13	+	125322-12620	1	SPRING, COIL			
14	+	125323-08260	1	ARM, VALVE			
15	+	125338-13930	1	PIN, METERING ARM			
16	+	125339-42030	1	SCREW			
17	+	125344-52130	2	SCREW			
18	+	125342-52130	1	COVER, DIAPHRAGM			
19	+	125341-42030	1	DIAPHRAGM			
20	+	P005-000200	1	GASKET, METERING			
21	+	125337-08260	1	VALVE, INLET NEEDLE			
22	+	P005-000510	1	DIAPHRAGM, PUMP			
23	+	P005-000520	1	GASKET, PUMP			
25	+	P005-001890	1	BASE, ASY PRIMER			
26	+	P005-000270	1	SCREW			
27	+	125381-46730	1	PUMP, PRIMING			

20. Carburetor(Sr/Nr 36003537 to 36003638)



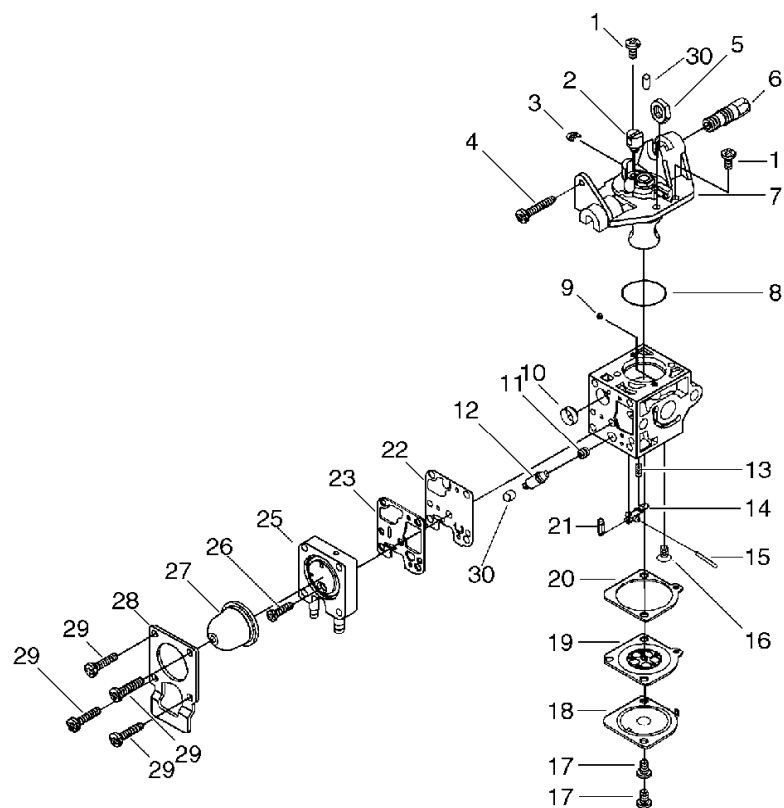
KEY	LV	PART NUMBER	Q'TY	DESCRIPTION	REMARKS	NOTE1	NOTE2
28	+	P005-000250	1	RETAINER			
29	+	P005-001900	4	SCREW			
30	+	P005-001270	2	PLUG, H AJUST SCREW			

21. Carburetor(Sr/Nr 36003639 and after)



KEY	LV	PART NUMBER	Q'TY	DESCRIPTION	REMARKS	NOTE1	NOTE2
		A021-000661	1	CARBURETOR,DIAPHRAGM	RB-K69A		
1	+	125344-13931	3	SCREW			
2	+	P005-001240	1	POST			
3	+	P005-000190	1	E-RING			
4	+	P005-000100	1	SCREW,THROTTLEADJUST			
6		P005-001330	1	SCREW, WIRE ADJUST			
7	+	P005-001880	1	COVER ASY, ROTOR			
8	+	P005-000280	1	O-RING			
9	+	P005-001000	1	ROLLER, GUIDE			
10	+	P005-000010	1	STRAINER			
11	+	P005-001260	1	SCREW,MAINN MIXTURE			
12	+	P005-001250	1	RETAINER,PLUG BALL			
13	+	125322-12620	1	SPRING, COIL			
14	+	125323-08260	1	ARM, VALVE			
15	+	125338-13930	1	PIN, METERING ARM			
16	+	125339-42030	1	SCREW			
17	+	125344-52130	2	SCREW			
18	+	125342-52130	1	COVER, DIAPHRAGM			
19	+	125341-42030	1	DIAPHRAGM			
20	+	P005-000200	1	GASKET, METERING			
21	+	125337-08260	1	VALVE, INLET NEEDLE			
22	+	P005-000510	1	DIAPHRAGM, PUMP			
23	+	P005-000520	1	GASKET, PUMP			
25	+	P005-001890	1	BASE, ASY PRIMER			
26	+	P005-000270	1	SCREW			
27	+	125381-46730	1	PUMP, PRIMING			

21. Carburetor(Sr/Nr 36003639 and after)



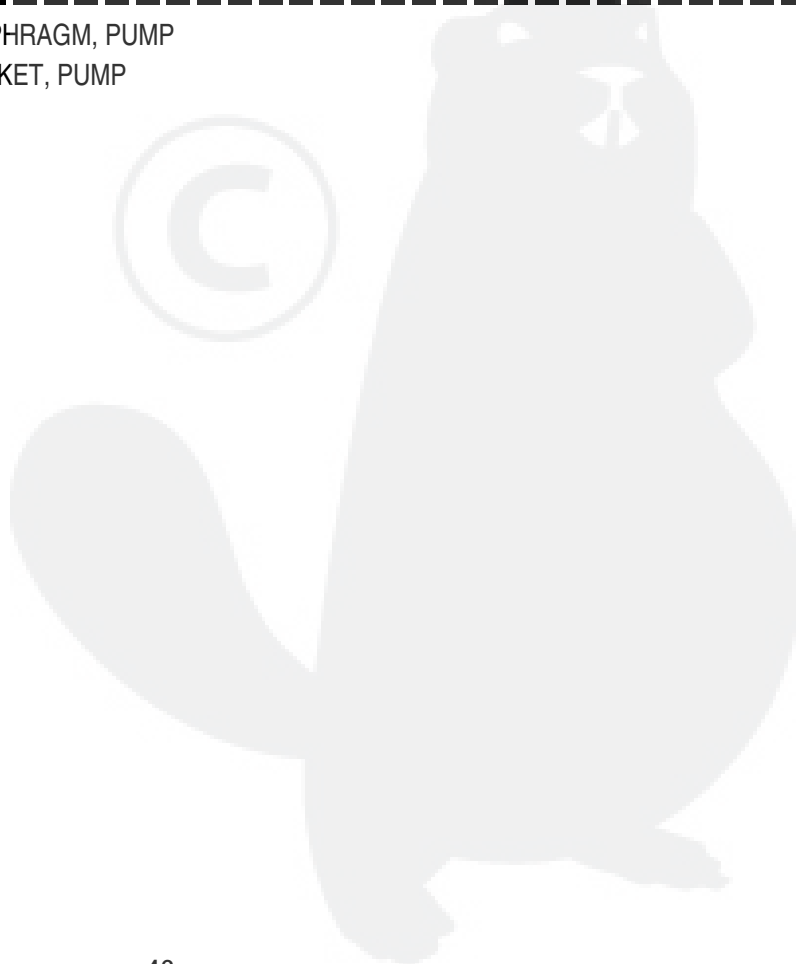
KEY	LV	PART NUMBER	Q'TY	DESCRIPTION	REMARKS	NOTE1	NOTE2
28	+	P005-000250	1	RETAINER			
29	+	P005-001900	4	SCREW			
30	+	P005-001270	2	PLUG, H AJUST SCREW			

22. Repair Kit(Sr/Nr 36003536 and before)

KEY	LV	PART NUMBER	Q'TY	DESCRIPTION	REMARKS	NOTE1	NOTE2
		P005-000550	1	DIAPHRAGM/GASKET KIT			
7-19	+	125341-42030	1	DIAPHRAGM			
7-20	+	P005-000200	1	GASKET, METERING			
7-22	+	P005-000510	1	DIAPHRAGM, PUMP			
7-23	+	P005-000520	1	GASKET, PUMP			
		P005-000560	1	REBUILD KIT		Can be used on RB-K69	
7-10	+	P005-000010	1	STRAINER			
7-13	+	125322-07260	1	SPRING, COIL			
7-14	+	125323-08260	1	ARM, VALVE			
7-15	+	125338-13930	1	PIN, METERING ARM			
7-19	+	125341-42030	1	DIAPHRAGM			
7-20	+	P005-000200	1	GASKET, METERING			
7-21	+	125337-08260	1	VALVE, INLET NEEDLE			
7-22	+	P005-000510	1	DIAPHRAGM, PUMP			
7-23	+	P005-000520	1	GASKET, PUMP			
		P005-001910	1	REBUILD KIT		Can be used on RB-K69A	
7-9	+	P005-001000	1	ROLLER, GUIDE			
7-10	+	P005-000010	1	STRAINER			
7-13	+	125322-12620	1	SPRING, COIL			
7-14	+	125323-08260	1	ARM, VALVE			
7-15	+	125338-13930	1	PIN, METERING ARM			
7-19	+	125341-42030	1	DIAPHRAGM			
7-20	+	P005-000200	1	GASKET, METERING			
7-21	+	125337-08260	1	VALVE, INLET NEEDLE			

22. Repair Kit(Sr/Nr 36003536 and before)

KEY	LV	PART NUMBER	Q'TY	DESCRIPTION	REMARKS	NOTE1	NOTE2
7-22	+	P005-000510	1	DIAPHRAGM, PUMP			
7-23	+	P005-000520	1	GASKET, PUMP			



23. Repair Kit(Sr/Nr 36003537 to 36003638)

KEY	LV	PART NUMBER	Q'TY	DESCRIPTION	REMARKS	NOTE1	NOTE2
1		P005-001910	1	REBUILD KIT			
709	+	P005-001000	1	ROLLER, GUIDE			
710	+	P005-000010	1	STRAINER			
713	+	125322-12620	1	SPRING, COIL			
714	+	125323-08260	1	ARM, VALVE			
715	+	125338-13930	1	PIN, METERING ARM			
719	+	125341-42030	1	DIAPHRAGM			
720	+	P005-000200	1	GASKET, METERING			
721	+	125337-08260	1	VALVE, INLET NEEDLE			
722	+	P005-000510	1	DIAPHRAGM, PUMP			
723	+	P005-000520	1	GASKET, PUMP			

24. Repair Kit(Sr/Nr 36003639 and after)

KEY	LV	PART NUMBER	Q'TY	DESCRIPTION	REMARKS	NOTE1	NOTE2
1		P005-001910	1	REBUILD KIT			
709	+	P005-001000	1	ROLLER, GUIDE			
710	+	P005-000010	1	STRAINER			
713	+	125322-12620	1	SPRING, COIL			
714	+	125323-08260	1	ARM, VALVE			
715	+	125338-13930	1	PIN, METERING ARM			
719	+	125341-42030	1	DIAPHRAGM			
720	+	P005-000200	1	GASKET, METERING			
721	+	125337-08260	1	VALVE, INLET NEEDLE			
722	+	P005-000510	1	DIAPHRAGM, PUMP			
723	+	P005-000520	1	GASKET, PUMP			

Index

Patrs Number	Key No.	Patrs Number	Key No.	Patrs Number	Key No.
100000-61830	1 - 8	125337-08260	22 - 7-21	131051-56030	13 - 3
100011-05330	1 - 9	125337-08260	23 - 721	131051-56030	14 - 3
100012-61830	1 - 12	125337-08260	24 - 721	131051-56030	15 - 3
100012-61830	2 - 12	125338-13930	19 - 15	131205-07320	13 - 10
100012-61830	3 - 12	125338-13930	20 - 15	131205-07320	14 - 10
100013-61830	1 - 10	125338-13930	21 - 15	131205-07320	15 - 10
100013-61830	2 - 10	125338-13930	22 - 7-15	131300-56430	13 - 12
100013-61830	3 - 10	125338-13930	22 - 7-15	131300-56430	14 - 12
100015-61830	1 - 11	125338-13930	23 - 715	131300-56430	15 - 12
100015-61830	2 - 11	125338-13930	24 - 715	131920-55430	13 - 6
100015-61830	3 - 11	125339-42030	19 - 16	131920-55430	14 - 6
100100-61831	1 - 14	125339-42030	20 - 16	131920-55430	15 - 6
100100-61831	2 - 14	125339-42030	21 - 16	131920-61830	13 - 5
100100-61831	3 - 14	125341-42030	19 - 19	131920-61830	14 - 5
100142-12330	1 - 13	125341-42030	20 - 19	131920-61830	15 - 5
100142-12330	2 - 13	125341-42030	21 - 19	132010-52030	13 - 7
100142-12330	3 - 13	125341-42030	22 - 7-19	132010-52030	14 - 7
100212-61830	1 - 21	125341-42030	22 - 7-19	132010-52030	15 - 7
100212-61830	2 - 21	125341-42030	22 - 7-19	132010-56330	13 - 9
100212-61830	3 - 21	125341-42030	23 - 719	132010-56330	14 - 9
100242-61830	1 - 25	125341-42030	24 - 719	132010-56330	15 - 9
100242-61830	2 - 25	125342-52130	19 - 18	132013-14010	16 - 13
100242-61830	3 - 25	125342-52130	20 - 18	132013-14010	17 - 13
101010-61830	1 - 7	125342-52130	21 - 18	132013-14010	18 - 13
101011-61831	1 - 5	125344-13931	19 - 1	132013-26630	13 - 13
101514-61831	1 - 3	125344-13931	20 - 1	132013-26630	14 - 13
101514-61831	2 - 3	125344-13931	21 - 1	132013-26630	15 - 13
101514-61831	3 - 3	125344-52130	19 - 17	132115-46730	13 - 8
104910-11410	10 - 17	125344-52130	20 - 17	132115-46730	14 - 8
125310-61830	19 - 29	125344-52130	21 - 17	132115-46730	15 - 8
125322-07260	19 - 13	125381-46730	19 - 27	145510-61831	7 - 14
125322-07260	22 - 7-13	125381-46730	20 - 27	145510-61832	7 - 14
125322-12620	19 - 13	125381-46730	21 - 27	145510-61832	8 - 14
125322-12620	20 - 13	125392-62030	19 - 5	145510-61832	9 - 14
125322-12620	21 - 13	130010-13410	7 - 9	145621-61831	7 - 18
125322-12620	22 - 7-13	130010-61830	7 - 13	145621-61832	8 - 18
125322-12620	23 - 713	130017-15313	7 - 10	145621-61832	9 - 18
125322-12620	24 - 713	130308-13410	7 - 3	150117-09130	4 - 45
125323-08260	19 - 14	130308-13410	8 - 3	150117-09130	5 - 45
125323-08260	20 - 14	130308-13410	9 - 3	150117-09130	6 - 45
125323-08260	21 - 14	130310-13410	7 - 4	150117-16430	1 - 2
125323-08260	22 - 7-14	130310-13410	8 - 4	150614-02910	13 - 21
125323-08260	22 - 7-14	130310-13410	9 - 4	150614-02910	14 - 21
125323-08260	23 - 714	131004-55530	13 - 1	150614-02910	15 - 21
125323-08260	24 - 714	131004-55530	14 - 1	156112-61831	4 - 42
125337-08260	19 - 21	131004-55530	15 - 1	156112-61831	5 - 42
125337-08260	20 - 21	131016-55830	13 - 2	156112-61831	6 - 42
125337-08260	21 - 21	131016-55830	14 - 2	156626-61831	4 - 40
125337-08260	22 - 7-21	131016-55830	15 - 2	156626-61831	5 - 40

Index

Patrs Number	Key No.	Patrs Number	Key No.	Patrs Number	Key No.
156626-61831	6 - 40	300333-06160	10 - 23	890157-06560	15 - 38
159010-10230	4 - 37	300333-06160	11 - 23	890617-13210	10 - 35
159010-10230	5 - 37	300333-06160	12 - 23	890617-13210	11 - 35
159010-10230	6 - 37	357013-14010	16 - 37	890617-13210	12 - 35
159011-03432	4 - 38	357013-14011	16 - 37	895410-03930	13 - 36
159011-03432	5 - 38	357013-14011	17 - 37	895410-03930	14 - 36
159011-03432	6 - 38	357013-14011	18 - 37	895410-03930	15 - 36
159012-03433	4 - 39	382011-15310	16 - 14	900103-06010	10 - 19
159012-03433	5 - 39	384002-12710	13 - 35	900103-06020	10 - 20
159012-03433	6 - 39	384002-12710	14 - 35	900103-06020	11 - 20
175009-55930	4 - 34	384002-12710	15 - 35	900103-06020	12 - 20
175009-55931	4 - 34	384013-11610	16 - 6	900105-05050	7 - 17
175009-55931	5 - 34	384013-11610	17 - 6	900105-05050	8 - 17
175009-55931	6 - 34	384013-11610	18 - 6	900105-05050	9 - 17
175046-56030	4 - 36	384029-10510	16 - 8	900106-05020	7 - 11
175046-56030	5 - 36	384029-10510	17 - 8	900106-05020	8 - 11
175046-56030	6 - 36	384029-10510	18 - 8	900106-05020	9 - 11
175048-05530	4 - 32	386013-14010	16 - 11	900162-04020	4 - 41
175048-05530	5 - 32	386013-14010	17 - 11	900162-05020	1 - 6
175048-05530	6 - 32	386013-14010	18 - 11	900162-05020	2 - 6
175049-56030	4 - 35	386015-10510	16 - 12	900162-05020	3 - 6
175049-56030	5 - 35	386015-10511	17 - 12	900162-05025	1 - 27
175049-56030	6 - 35	386015-10511	18 - 12	900162-05025	2 - 27
177234-12220	4 - 17	386018-10510	16 - 9	900162-05025	3 - 27
177234-12220	5 - 17	386018-10510	17 - 9	900162-05040	16 - 29
177234-12220	6 - 17	386018-10510	18 - 9	900162-05040	17 - 29
224102-11611	13 - 32	386019-10510	16 - 10	900162-05040	18 - 29
224103-10610	13 - 30	386019-10510	17 - 10	900220-06015	10 - 19
224103-10610	14 - 30	386019-10510	18 - 10	900220-06015	11 - 19
224103-10610	15 - 30	400111-11410	16 - 41	900220-06015	12 - 19
224400-11710	13 - 33	400111-11410	17 - 41	900238-05016	7 - 2
250001-14010	10 - 1	400111-11410	18 - 41	900238-05016	8 - 2
250001-14010	11 - 1	405100-11410	16 - 22	900238-05016	9 - 2
250001-14010	12 - 1	405100-11410	17 - 22	900239-05016	1 - 29
250011-01110	10 - 4	405100-11410	18 - 22	900239-05016	16 - 38
250011-01110	11 - 4	405110-10512	16 - 26	900239-05016	17 - 38
250011-01110	12 - 4	405110-10512	17 - 26	900239-05016	18 - 38
250026-11310	10 - 2	405110-10512	18 - 26	900239-05016	2 - 29
250026-11310	11 - 2	405113-10510	16 - 24	900239-05016	3 - 29
250026-11310	12 - 2	405113-10510	17 - 24	900239-05016	4 - 23
250027-11310	10 - 3	405113-10510	18 - 24	900239-05016	5 - 23
250027-11310	11 - 3	405114-10510	16 - 18	900239-05016	6 - 23
250027-11310	12 - 3	405114-10510	17 - 18	900239-05018	1 - 1
250211-11410	10 - 7	405114-10510	18 - 18	900239-05018	2 - 1
250211-11410	11 - 7	890015-13210	13 - 37	900239-05018	3 - 1
250211-11410	12 - 7	890015-13210	14 - 37	900239-05022	4 - 18
250916-06210	10 - 18	890015-13210	15 - 37	900239-05022	5 - 18
250916-06210	11 - 18	890157-06560	13 - 38	900239-05022	6 - 18
250916-06210	12 - 18	890157-06560	14 - 38	900242-05050	7 - 20

Index

Patrs Number	Key No.	Patrs Number	Key No.	Patrs Number	Key No.
900242-05060	7 - 20	900724-30067	17 - 27	A200-000210	9 - 24
900242-05060	8 - 20	900724-30067	18 - 27	A300-000360	7 - 15
900242-05060	9 - 20	900810-36000	1 - 22	A350-000250	13 - 4
900252-04010	13 - 17	900810-36000	2 - 22	A350-000250	14 - 4
900252-04010	14 - 17	900810-36000	3 - 22	A350-000250	15 - 4
900252-04010	15 - 17	91128-04022	4 - 41	A409-000180	4 - 30
900253-04014	13 - 14	91128-04022	5 - 41	A409-000180	5 - 30
900253-04014	14 - 14	91128-04022	6 - 41	A409-000180	6 - 30
900253-04014	15 - 14	91428-05020	10 - 12	A439-000100	13 - 16
900253-05020	4 - 21	91428-05020	11 - 12	A439-000100	14 - 16
900253-05020	5 - 21	91428-05020	12 - 12	A439-000100	15 - 16
900253-05020	6 - 21	91428-05020	13 - 22	A440-000420	13 - 18
900515-00006	4 - 14	91428-05020	14 - 22	A440-000420	14 - 18
900515-00006	4 - 31	91428-05020	15 - 22	A440-000420	15 - 18
900515-00006	5 - 14	92500-00305	16 - 35	A510-000040	10 - 10
900515-00006	5 - 31	92500-00305	17 - 35	A510-000040	11 - 10
900515-00006	6 - 14	92500-00305	18 - 35	A510-000040	12 - 10
900515-00006	6 - 31	A021-000660	19 -	A510-000050	10 - 13
900518-00006	10 - 29	A021-000660	7 - 6	A510-000050	11 - 13
900518-00006	11 - 29	A021-000661	19 -	A510-000080	12 - 52
900518-00006	12 - 29	A021-000661	20 -	A511-000040	10 - 9
900600-00005	7 - 16	A021-000661	21 -	A511-000050	10 - 9
900600-00005	8 - 16	A021-000661	7 - 6	A511-000050	11 - 9
900600-00005	9 - 16	A021-000661	8 - 6	A511-000050	12 - 9
900605-00006	10 - 38	A021-000661	9 - 6	A556-000240	16 - 15
900605-00006	11 - 38	A027-000020	7 - 1	A556-000240	17 - 15
900605-00006	12 - 38	A027-000020	8 - 1	A556-000240	18 - 15
900701-00012	16 - 17	A027-000020	9 - 1	C061-000090	10 - 25
900701-00012	17 - 17	A051-000570	4 - 1	C061-000090	11 - 25
900701-00012	18 - 17	A051-000571	4 - 1	C061-000090	12 - 25
900703-00004	16 - 34	A051-000571	5 - 1	C405-000080	10 - 11
900703-00004	17 - 34	A051-000571	6 - 1	C405-000080	11 - 11
900703-00004	18 - 34	A052-000140	4 - 15	C405-000190	12 - 51
900704-00012	16 - 25	A052-000140	5 - 15	C453-000080	13 - 19
900704-00012	17 - 25	A052-000140	6 - 15	C453-000080	14 - 19
900704-00012	18 - 25	A101-000090	1 - 9	C453-000080	15 - 19
900720-30028	10 - 8	A101-000090	2 - 9	C471-000070	13 - 20
900720-30028	11 - 8	A101-000090	3 - 9	C471-000070	14 - 20
900720-30028	12 - 8	A130-000611	1 - 5	C471-000070	15 - 20
900722-00100	16 - 7	A130-000611	2 - 5	C473-000010	13 - 15
900722-00100	17 - 7	A130-000611	3 - 5	C473-000011	14 - 15
900722-00100	18 - 7	A172-000370	1 - 28	C473-000011	15 - 15
900724-00029	16 - 21	A172-000370	2 - 28	C620-000160	10 - 16
900724-00029	17 - 21	A172-000370	3 - 28	C630-000020	10 - 22
900724-00029	18 - 21	A200-000160	7 - 22	C630-000020	11 - 22
900724-30010	16 - 19	A200-000160	8 - 22	C630-000020	12 - 22
900724-30010	17 - 19	A200-000160	9 - 22	C630-000030	10 - 21
900724-30010	18 - 19	A200-000210	7 - 24	C630-000030	11 - 21
900724-30067	16 - 27	A200-000210	8 - 24	C630-000030	12 - 21

Index

Patrs Number	Key No.	Patrs Number	Key No.	Patrs Number	Key No.
E202-000030	16 - 16	P005-000200	19 - 20	P005-001240	21 - 2
E202-000030	17 - 16	P005-000200	20 - 20	P005-001250	19 - 12
E202-000030	18 - 16	P005-000200	21 - 20	P005-001250	20 - 12
E203-000010	16 - 20	P005-000200	22 - 7-20	P005-001250	21 - 12
E203-000011	16 - 20	P005-000200	22 - 7-20	P005-001260	19 - 11
E203-000012	16 - 20	P005-000200	22 - 7-20	P005-001260	20 - 11
E203-000012	17 - 20	P005-000200	23 - 720	P005-001260	21 - 11
E203-000012	18 - 20	P005-000200	24 - 720	P005-001270	19 - 30
E205-000000	16 - 28	P005-000250	19 - 28	P005-001270	20 - 30
E205-000001	16 - 28	P005-000250	20 - 28	P005-001270	21 - 30
E205-000001	17 - 28	P005-000250	21 - 28	P005-001330	19 - 6
E205-000001	18 - 28	P005-000270	19 - 26	P005-001330	20 - 6
E207-000000	16 - 23	P005-000270	20 - 26	P005-001330	21 - 6
E220-000010	10 - 5	P005-000270	21 - 26	P005-001880	19 - 7
E220-000010	11 - 5	P005-000280	19 - 8	P005-001880	20 - 7
E220-000010	12 - 5	P005-000280	20 - 8	P005-001880	21 - 7
E230-000080	16 - 30	P005-000280	21 - 8	P005-001890	19 - 25
E230-000081	16 - 30	P005-000370	19 - 12	P005-001890	20 - 25
E230-000081	17 - 30	P005-000510	19 - 22	P005-001890	21 - 25
E230-000081	18 - 30	P005-000510	20 - 22	P005-001900	19 - 29
E245-000050	13 - 33	P005-000510	21 - 22	P005-001900	20 - 29
E245-000051	13 - 33	P005-000510	22 - 7-22	P005-001900	21 - 29
E245-000070	13 - 33	P005-000510	22 - 7-22	P005-001910	22 -
E245-000070	14 - 33	P005-000510	22 - 7-22	P005-001910	23 - 1
E245-000070	15 - 33	P005-000510	23 - 722	P005-001910	24 - 1
E270-000030	13 - 32	P005-000510	24 - 722	P021-004340	1 - 20
E270-000030	14 - 32	P005-000520	19 - 23	P021-004340	2 - 20
E270-000030	15 - 32	P005-000520	20 - 23	P021-004340	3 - 20
E271-000000	13 - 34	P005-000520	21 - 23	P021-005660	10 - 6
E271-000000	14 - 34	P005-000520	22 - 7-23	P021-005661	10 - 6
E271-000000	15 - 34	P005-000520	22 - 7-23	P021-005662	10 - 6
E412-000000	16 - 31	P005-000520	22 - 7-23	P021-006750	16 - 23
E412-000010	16 - 31	P005-000520	23 - 723	P021-006750	17 - 23
E412-000010	17 - 31	P005-000520	24 - 723	P021-006750	18 - 23
E412-000010	18 - 31	P005-000550	22 -	P021-007120	13 - 25
P005-000010	19 - 10	P005-000560	22 -	P021-007120	14 - 25
P005-000010	20 - 10	P005-000690	19 - 7	P021-007120	15 - 25
P005-000010	21 - 10	P005-000700	19 - 6	P021-008710	1 - 8
P005-000010	22 - 7-10	P005-000740	19 - 9	P021-008710	2 - 8
P005-000010	22 - 7-10	P005-000930	19 - 25	P021-008710	3 - 8
P005-000010	23 - 710	P005-000960	19 - 11	P021-008730	7 - 15
P005-000010	24 - 710	P005-001000	19 - 9	P021-008731	8 - 15
P005-000100	19 - 4	P005-001000	20 - 9	P021-008731	9 - 15
P005-000100	20 - 4	P005-001000	21 - 9	P021-010050	10 - 16
P005-000100	21 - 4	P005-001000	22 - 7-9	P021-010050	11 - 16
P005-000180	19 - 2	P005-001000	23 - 709	P021-014410	11 - 53
P005-000190	19 - 3	P005-001000	24 - 709	P021-014410	12 - 53
P005-000190	20 - 3	P005-001240	19 - 2	P021-014760	3 - 8
P005-000190	21 - 3	P005-001240	20 - 2	P021-014850	12 - 50

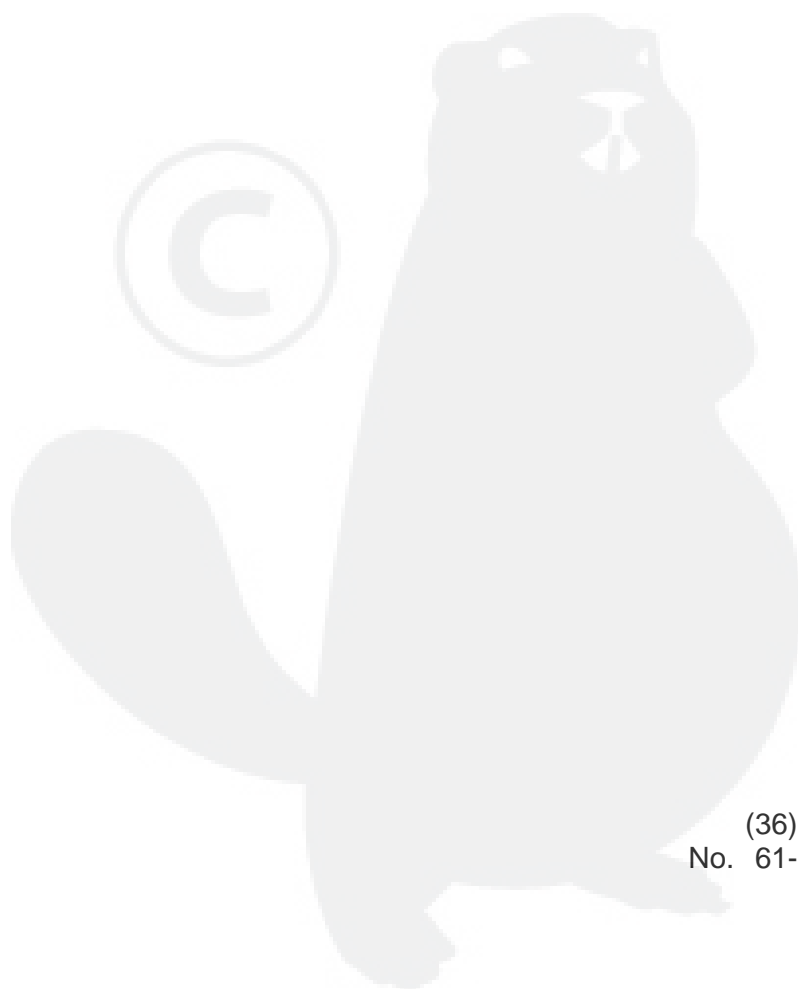
Index

Patrs Number	Key No.	Patrs Number	Key No.	Patrs Number	Key No.
P022-004610	4 - 3	V306-000020	5 - 44	V485-000400	15 - 24
P022-004610	5 - 3	V306-000020	6 - 44	V485-000410	4 - 43
P022-004610	6 - 3	V323-000060	2 - 2	V485-000410	5 - 43
P022-004620	4 - 4	V323-000060	3 - 2	V485-000410	6 - 43
P022-004620	5 - 4	V354-000150	10 - 39	V491-000040	10 - 26
P022-004620	6 - 4	V354-000150	11 - 39	V491-000040	11 - 26
P022-004630	4 - 12	V354-000150	12 - 39	V491-000040	12 - 26
P022-004630	5 - 12	V376-000460	4 - 13	V491-000090	10 - 24
P022-004630	6 - 12	V376-000460	5 - 13	V491-000090	11 - 24
P022-004640	4 - 11	V376-000460	6 - 13	V491-000090	12 - 24
P022-004640	5 - 11	V402-000010	10 - 17	X502-000032	4 - 20
P022-004640	6 - 11	V402-000010	10 - 17	X502-000090	10 - 30
P022-004660	4 - 8	V402-000010	11 - 17	X502-000160	4 - 20
P022-004660	5 - 8	V402-000010	12 - 17	X502-000180	10 - 30
P022-004660	6 - 8	V402-000030	10 - 40	X502-000460	5 - 20
P022-004670	4 - 9	V402-000030	11 - 40	X502-000460	6 - 20
P022-004670	5 - 9	V402-000030	12 - 40	X502-000470	11 - 30
P022-004670	6 - 9	V420-000630	10 - 14	X502-000470	12 - 30
P022-004680	4 - 5	V420-000630	11 - 14	X503-004570	10 - 32
P022-004680	5 - 5	V420-000630	12 - 14	X503-004571	10 - 32
P022-004680	6 - 5	V420-000950	16 - 39	X503-008370	11 - 32
P022-004690	4 - 7	V420-000950	17 - 39	X503-008370	12 - 32
P022-004690	5 - 7	V420-000950	18 - 39	X505-000620	4 - 22
P022-004690	6 - 7	V430-000890	7 - 8	X505-000620	5 - 22
P022-005080	4 - 16	V430-000890	8 - 8	X505-000620	6 - 22
P022-005080	5 - 16	V430-000890	9 - 8		
P022-005080	6 - 16	V450-000310	16 - 33		
P022-005230	4 - 10	V450-000310	17 - 33		
P022-005230	5 - 10	V450-000310	18 - 33		
P022-005230	6 - 10	V451-000040	4 - 33		
P022-006430	4 - 6	V451-000040	5 - 33		
P022-006430	5 - 6	V451-000040	6 - 33		
P022-006430	6 - 6	V453-000050	13 - 26		
P022-006540	7 - 5	V453-000050	14 - 26		
P022-006540	8 - 5	V453-000050	15 - 26		
P022-006540	9 - 5	V471-000110	13 - 11		
V100-000120	1 - 7	V471-000110	14 - 11		
V100-000120	2 - 7	V471-000110	15 - 11		
V100-000120	3 - 7	V471-000920	16 - 36		
V103-000190	7 - 21	V471-000930	13 - 25		
V103-000190	8 - 21	V471-001340	17 - 42		
V103-000190	9 - 21	V471-001340	18 - 42		
V103-000230	7 - 23	V471-002120	17 - 43		
V103-000230	8 - 23	V471-002120	18 - 43		
V103-000230	9 - 23	V475-002740	13 - 27		
V270-000000	16 - 32	V475-002740	14 - 27		
V270-000000	17 - 32	V475-002740	15 - 27		
V270-000000	18 - 32	V485-000400	13 - 24		
V306-000020	4 - 44	V485-000400	14 - 24		

YAMABIKO CORPORATION

7-2 SUEHIROCHO 1-CHOME, OHME, TOKYO 198-8760, JAPAN
PHONE: 81-428-32-6118. FAX: 81-428-32-6145.

ECHO[®]



(36)
No. 61-091