

shindaiwa®

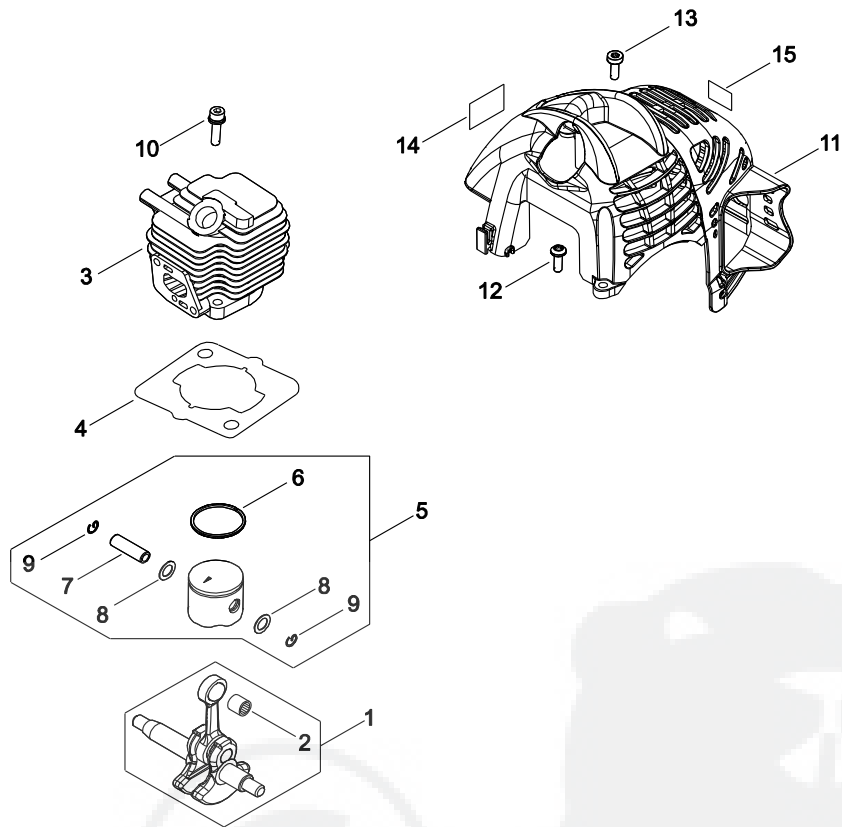
PARTS CATALOG
SHAFT HEDGE TRIMMER
HCAS-236ES-LW(37)

37101001 -

CE

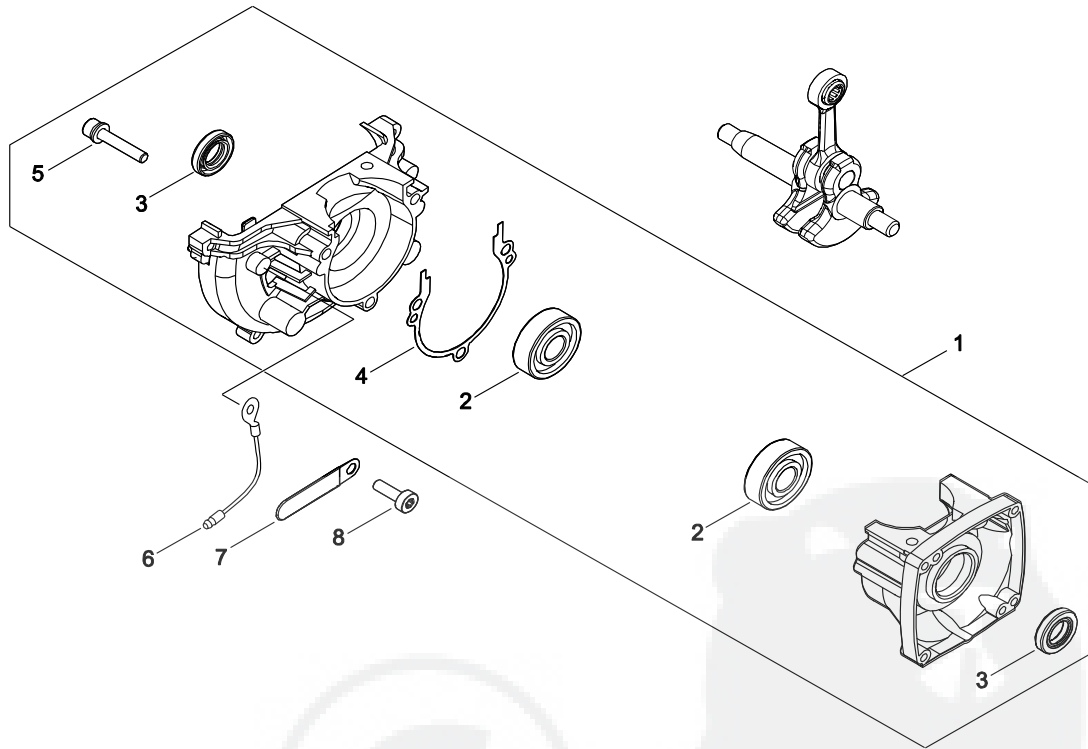
P014-004850-15E

1. CYLINDER, PISTON, CRANKSHAFT



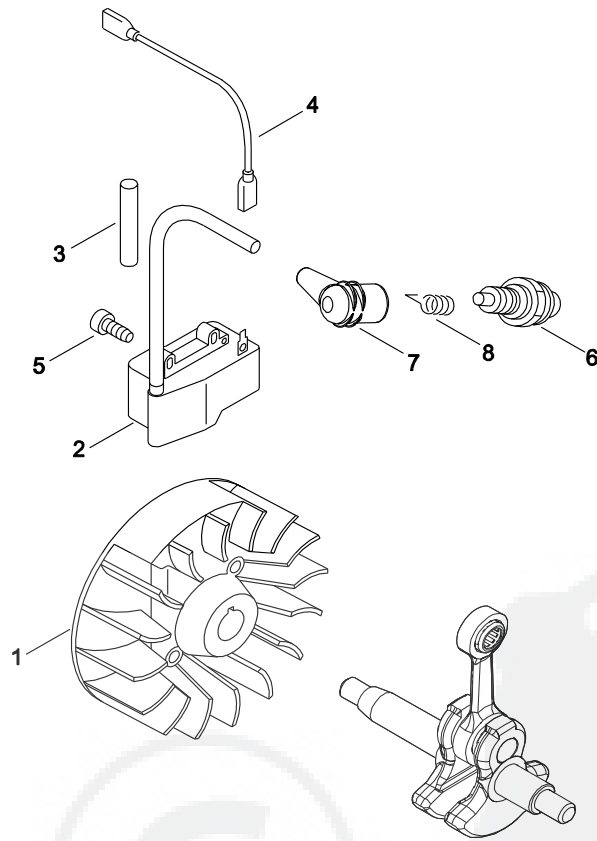
KEY	LV	PART NUMBER	Q'TY	DESCRIPTION	REMARKS	NOTE1	NOTE2
1		A011-001410	1	CRANKSHAFT,ASY			
2	+	V553-000060	1	BEARING,NEEDLE 8	HK0810FMV4		
3		A130-002100	1	CYLINDER			
4		101010-44332	1	GASKET, CYL. BASE			
5		P021-007712	1	PISTON KIT			
6	+	A101-000090	1	RING,PISTON			
7	+	100013-11520	1	PIN, PISTON			
8	+	100014-11520	2	SPACER, PISTON PIN			
9	+	100015-04630	2	CIRCLIP, PISTON PIN			
10		900162-05022	2	BOLT, H.S. 5*22	5*22 W,SW		
11		A160-001090	1	COVER,CYLINDER			
12		V805-000000	1	BOLT, TORX 5	TT-5*16 DG 10.9		
13		V805-000150	1	BOLT, TORX 5	TB-5*16 10.9		
14		X547-002660	1	LABEL,ECHO			
15		X505-007710	1	LABEL,CAUTION			

2. CRANKCASE



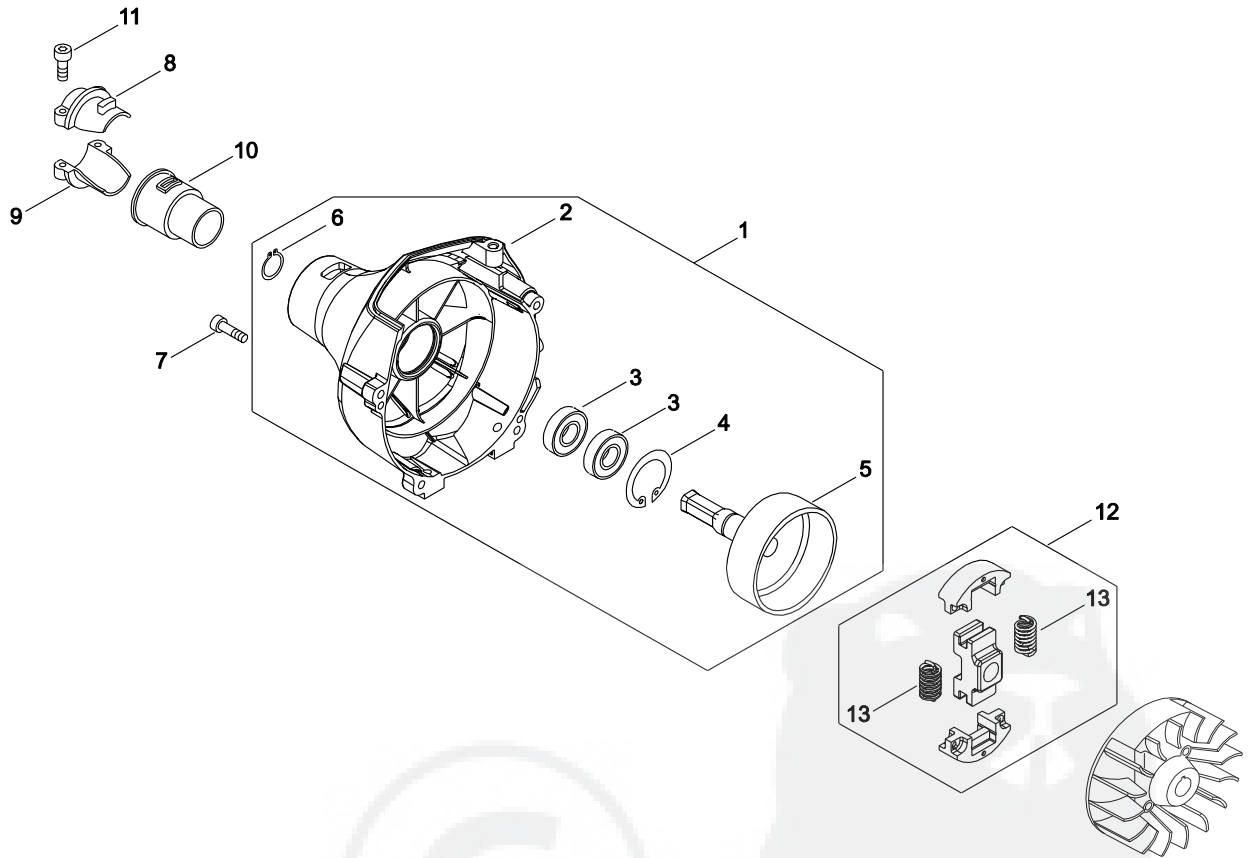
KEY	LV	PART NUMBER	Q'TY	DESCRIPTION	REMARKS	NOTE1	NOTE2
1		100204-52133	1	CRANKCASE KIT			
2	+	94035-36201	2	BEARING BALL	6201X3JR2C3		
3	+	100212-42031	2	OILSEAL	ISCD 12*22*4.5		
4	+	100242-42030	1	GASKET, CRANKCASE			
5	+	900162-05028	3	BOLT, H.S. 5*28	5*28 W,SW		
6		162014-27230	1	LEAD, GROUND			
7		159116-21231	1	CLAMP			
8		V805-000130	1	BOLT, TORX 5	TB-5*10 10.9		

3. MAGNETO



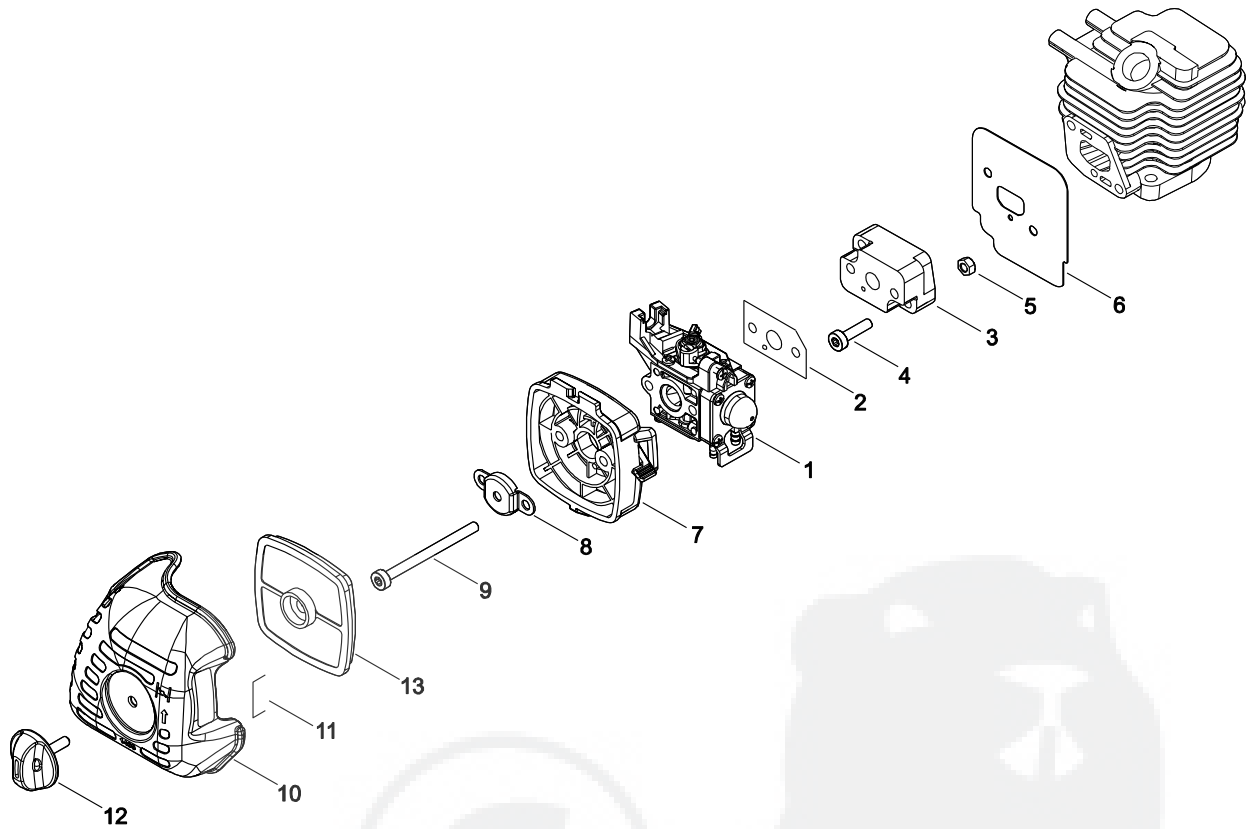
KEY	LV	PART NUMBER	Q'TY	DESCRIPTION	REMARKS	NOTE1	NOTE2
1		A409-000160	1	ROTOR,MAGNETO			
2		A411-000130	1	COIL,IGNITION			
3		V475-007200	1	TUBE	SSG-3Φ8*L65		
4		V485-001120	1	LEAD	L210 #187 CB104		
5		V804-000070	2	BOLT, TORX 4	TB-4*20 12.9		
6		A425-000000	1	SPARKPLUG	BPMR8Y		
7		A427-000013	1	CAP, SPARK PLUG			
8		A426-000010	1	TERMINAL, SPARKPLUG			

4. CLUTCH



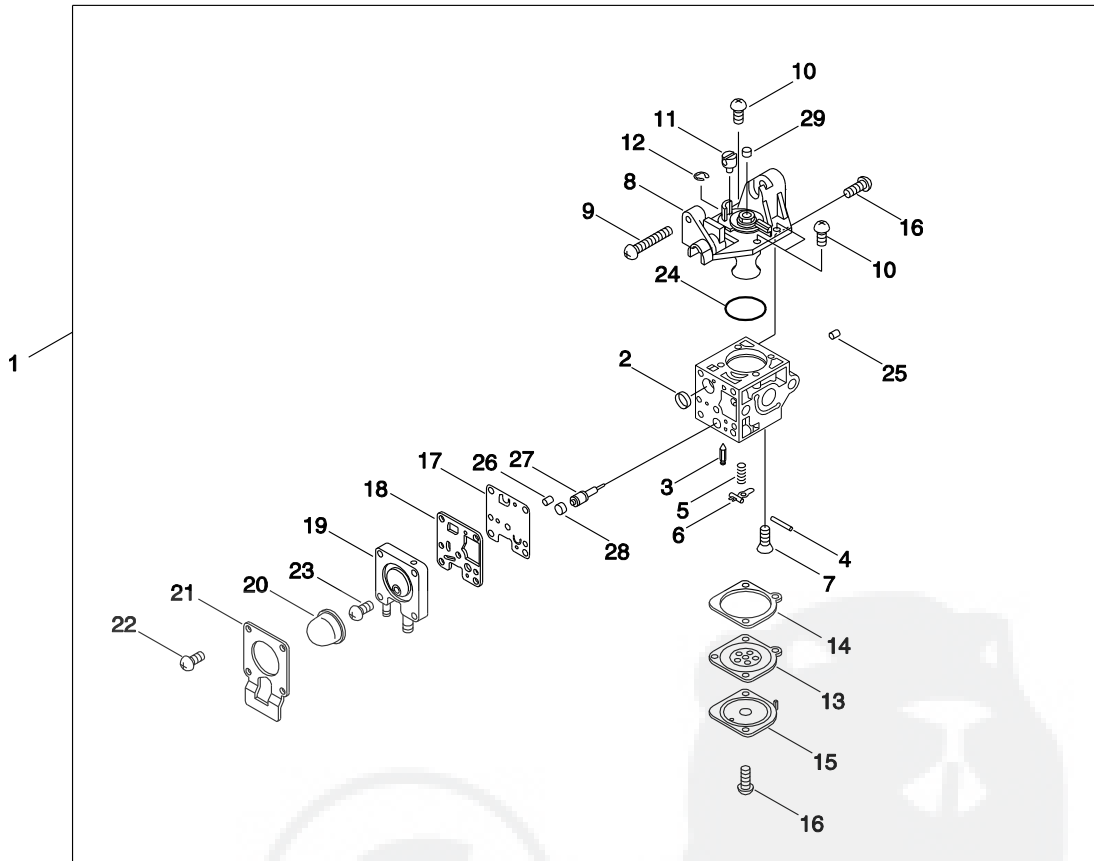
KEY	LV	PART NUMBER	Q'TY	DESCRIPTION	REMARKS	NOTE1	NOTE2
1		P021-047630	1	FAN COVER ASY			
2	+	A172-000860	1	COVER,FAN			
3	+	900807-06001	2	BEARING, BALL 6001	6001V(LB)		
4	+	900702-00028	1	CIRCLIP 28	CR-28		
5	+	175005-48931	1	DRUM, CLUTCH			
6	+	900701-00012	1	CIRCLIP 12	CS-12		
7		V804-000060	4	BOLT, TORX 4	TB-4*16 10.9		
8		610922-27432	1	HOLDER			
9		610923-55230	1	HOLDER			
10		610910-55230	1	CUSHION			
11		V805-000160	2	BOLT, TORX 5	TB-5*20 10.9		
12		A056-000780	1	CLUTCH ASY	22 C0.5 D50 NONR		
13	+	V451-000680	2	SPRING,TENSION			

5. AIR CLEANER, CARBURETOR



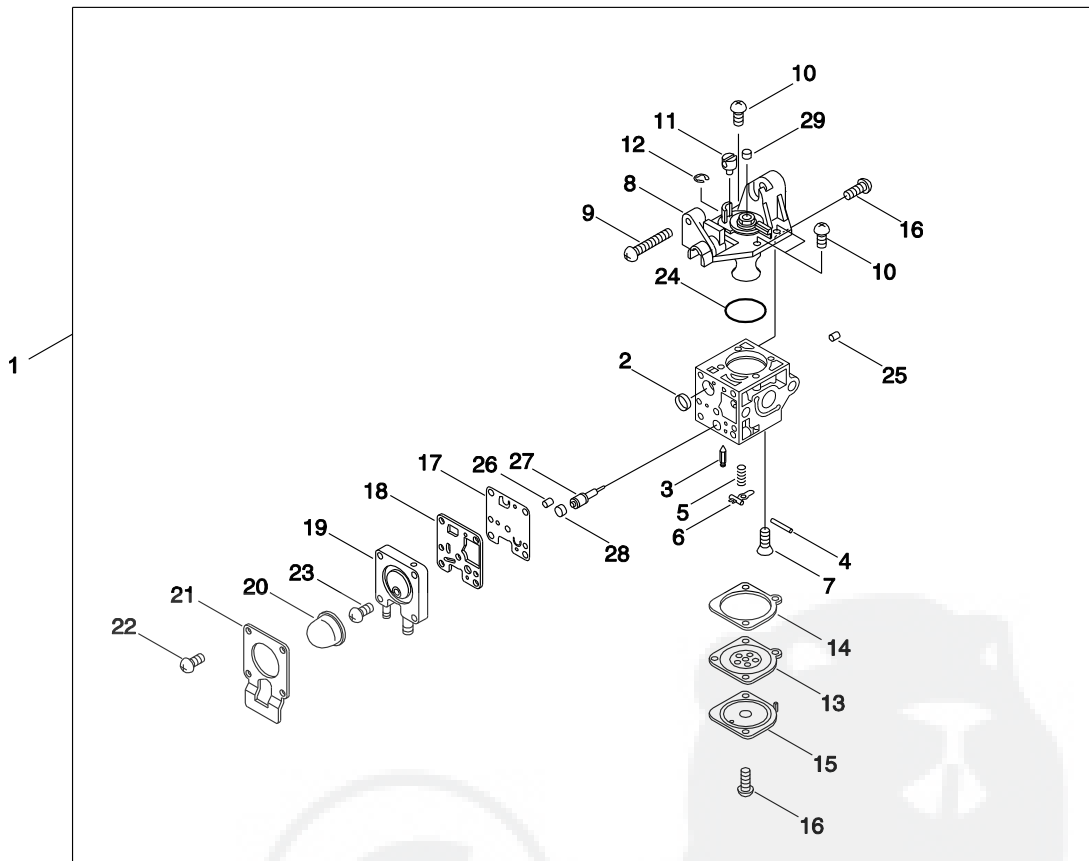
KEY	LV	PART NUMBER	Q'TY	DESCRIPTION	REMARKS	NOTE1	NOTE2
1		A021-003881	1	CARBURETOR,DIAPHRAGM	ZAMA RB-K113		
2		V103-001390	1	GASKET,INTAKE			
3		130017-44331	1	INSULATOR			
4		V805-000160	2	BOLT, TORX 5	TB-5*20 10.9		
5		900500-00005	2	NUT 5	5		
6		V103-001360	1	GASKET,INTAKE			
7		P021-012870	1	CLEANER CASE ASY			
8		129011-52730	1	PLATE, PREVENT			
9		V805-000100	2	BOLT, TORX 5	TB-5*65 10.9		
10		A232-000480	1	LID,CLEANER			
11		890332-52730	1	LABEL, CHOKE			
12		V299-000250	1	KNOB,FASTENER			
13		A226-001410	1	ELEMENT,AIR FILTER			

6. CARBURETOR



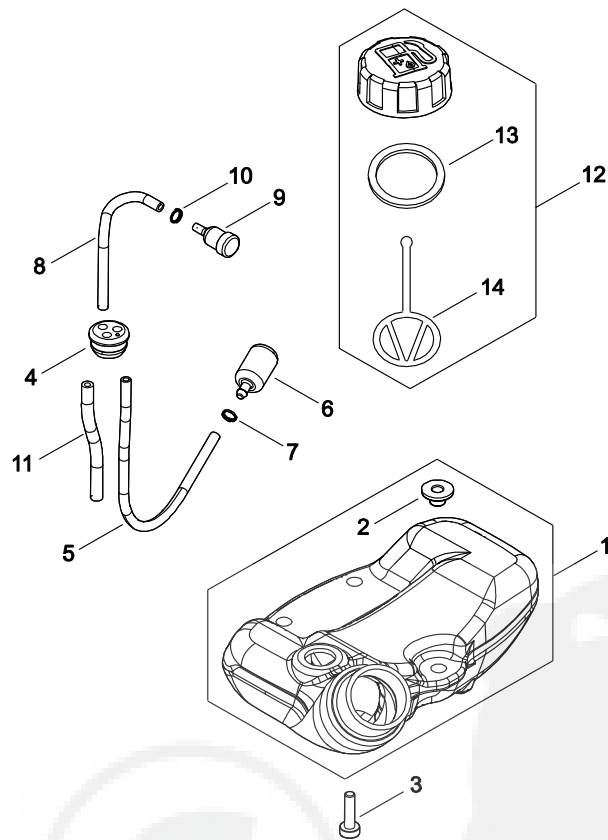
KEY	LV	PART NUMBER	Q'TY	DESCRIPTION	REMARKS	NOTE1	NOTE2
1		A021-003881	1	CARBURETOR,DIAPHRAGM	ZAMA RB-K113		
2	+	P005-000010	1	STRAINER			
3	+	125337-08260	1	VALVE, INLET NEEDLE			
4	+	125338-13930	1	PIN, METERING ARM			
5	+	P005-002430	1	SPRING, MET. LEVER			
6	+	125323-08260	1	ARM, VALVE			
7	+	125339-42030	1	SCREW			
9	+	P005-000100	1	SCREW,THROTTLADJUST			
10	+	125344-13931	3	SCREW			
11	+	P005-001240	1	POST			
12	+	P005-000190	1	E-RING			
13	+	P005-002230	1	DIAPHRAGM METERING			
14	+	P005-000200	1	GASKET, METERING			
15	+	125342-52130	1	COVER, DIAPHRAGM			
16	+	125344-52130	3	SCREW			
17	+	P005-000510	1	DIAPHRAGM, PUMP			
18	+	P005-000520	1	GASKET, PUMP			
19	+	P005-001890	1	BASE, ASY PRIMER			
20	+	P005-003110	1	PUMP, PRIMER			
21	+	P005-000250	1	RETAINER			
22	+	P005-001900	4	SCREW			
23	+	P005-000270	1	SCREW			
24	+	P005-000280	1	O-RING			
25	+	P005-001000	1	ROLLER, GUIDE			
26	+	P005-001250	1	RETAINER,PLUG BALL			

6. CARBURETOR



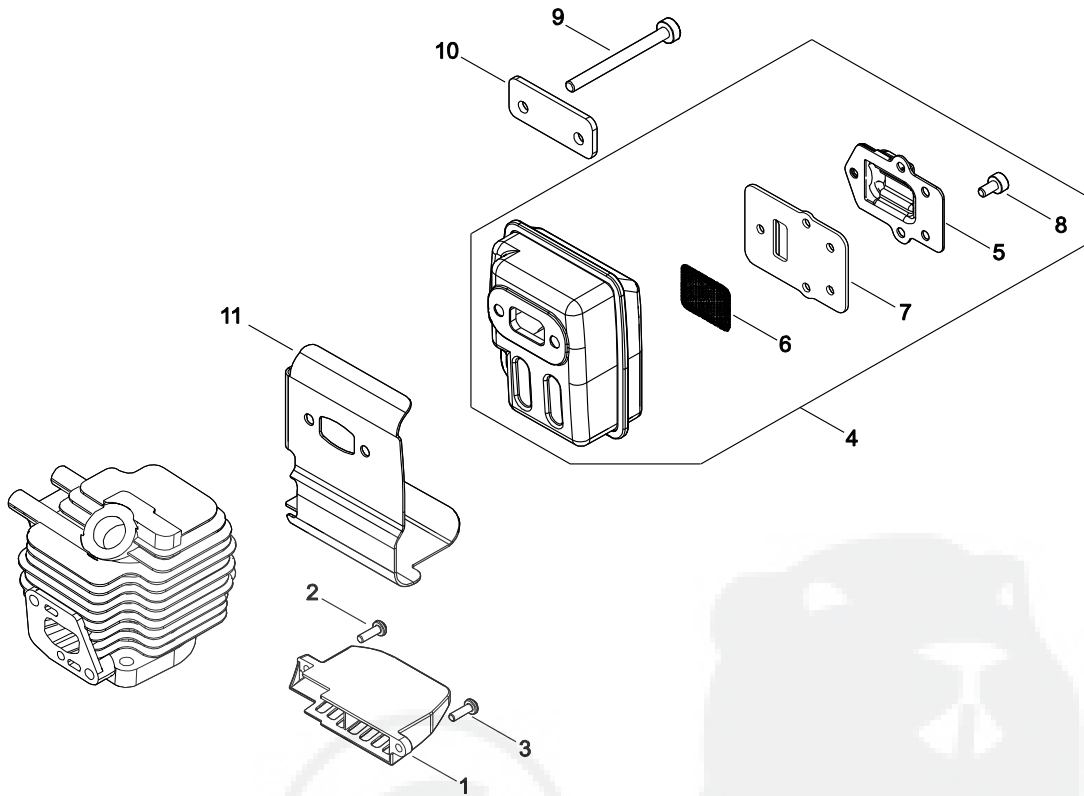
KEY	LV	PART NUMBER	Q'TY	DESCRIPTION	REMARKS	NOTE1	NOTE2
27	+	P005-001260	1	SCREW,MAINN MIXTURE			
28	+	P005-001270	1	PLUG, H AJUST SCREW			
29	+	A259-000010	1	CAP,LIMITER			

7. FUEL TANK



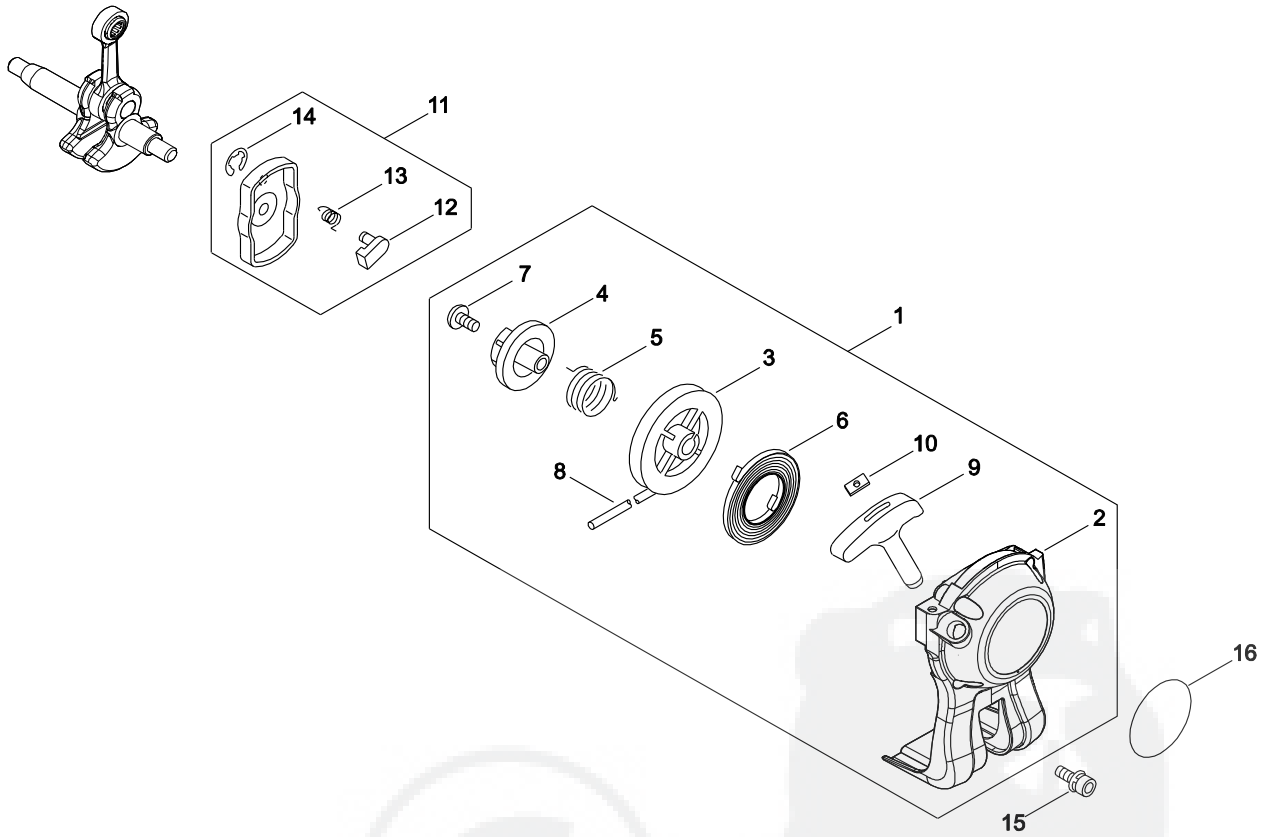
KEY	LV	PART NUMBER	Q'TY	DESCRIPTION	REMARKS	NOTE1	NOTE2
1		A350-000801	1	TANK, FUEL			
2	+	V353-000231	3	COLLAR,5	16*5.5 L6 T2		
3		V805-000160	3	BOLT, TORX 5	TB-5*20 10,9		
4		132115-46730	1	GROMMET, FUEL			
5		V470-000840	1	PIPE			
6		A369-000480	1	STRAINER, FUEL	125-959		
7		V490-001240	1	CLIP			
8		V471-001210	1	PIPE	3*5*90 NBR		
9		A356-000031	1	VALVE,CHECK			
10		V490-001240	1	CLIP			
11		132012-56030	1	PIPE	3*6*80 YL		
12		P021-012210	1	CAP,FUEL ASY			
13	+	131016-55830	1	GASKET, FUEL CAP			
14	+	A365-000060	1	CONNECTOR,CAP	L=123		

8. MUFFLER



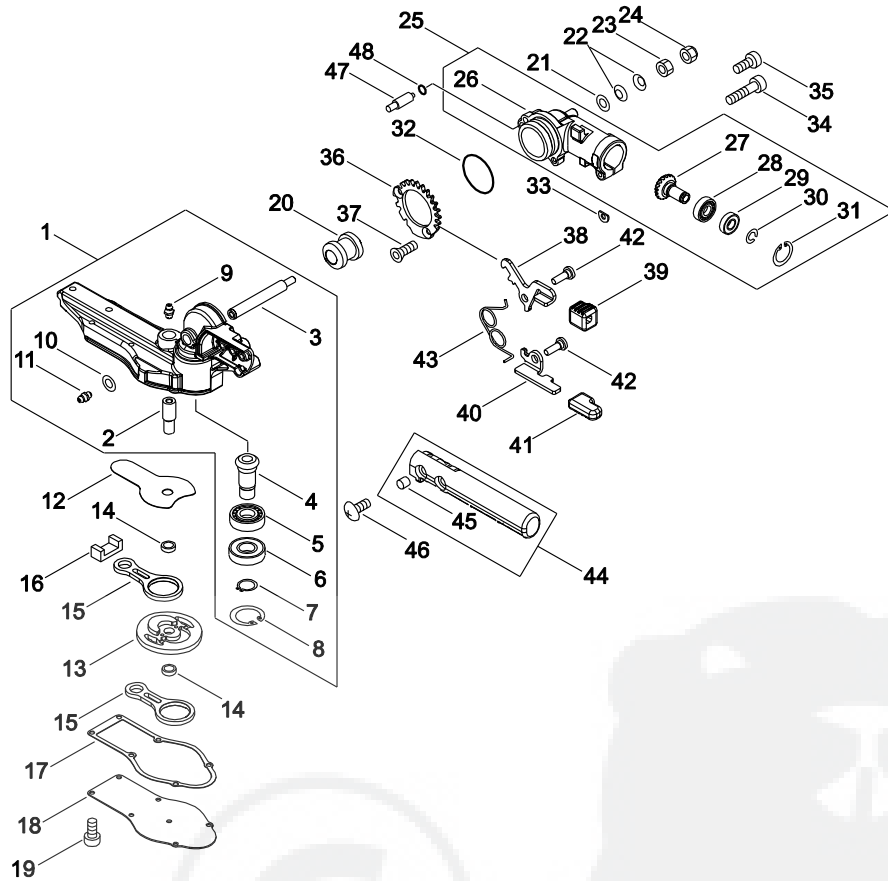
KEY	LV	PART NUMBER	Q'TY	DESCRIPTION	REMARKS	NOTE1	NOTE2
1		A320-000480	1	COVER,MUFFLER			
2		V805-000000	1	BOLT, TORX 5	TT-5*16 DG 10.9		
3		V805-000150	1	BOLT, TORX 5	TB-5*16 10.9		
4		P021-047651	1	MUFFLER ASY			
5	+	A313-000600	1	GUIDE,EXH			
6	+	145862-40630	1	SCREEN, MUFFLER			
7	+	V104-001760	1	GASKET,EXHAUST			
8	+	V804-000030	5	BOLT, TORX 4	TB-4*8 10.9		
9		V805-000190	2	BOLT, TORX 5	TB-5*55 12.9		
10		V150-000371	1	PLATE,EYE			
11		V104-000850	1	GASKET,EXHAUST	T1.0		

9. RECOIL STARTER, PULLEY



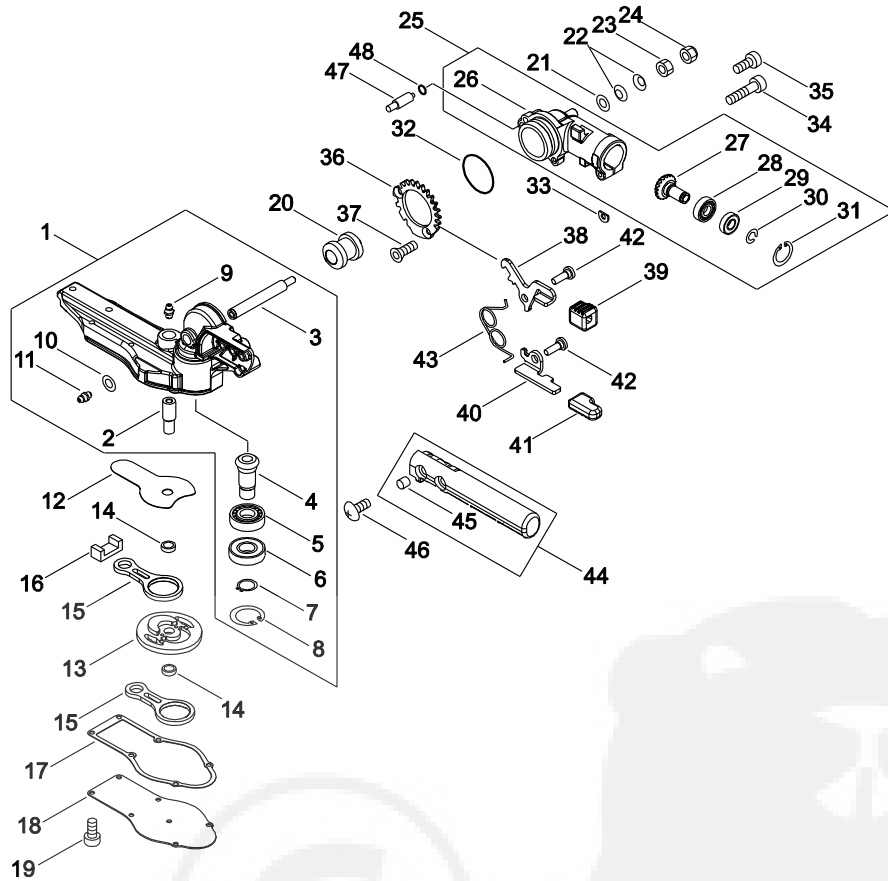
KEY	LV	PART NUMBER	Q'TY	DESCRIPTION	REMARKS	NOTE1	NOTE2
1		A051-001312	1	STARTER,RECOIL ASY			
2	+	P022-036970	1	CASE,STARTER			
3	+	P022-034040	1	DRUM, STARTER			
4	+	P022-034030	1	PLATE, CAM			
5	+	P022-008270	1	SPRING,DAMPER			
6	+	P022-019680	1	SPRING, SPIRAL			
7	+	177236-61830	1	SCREW			
8	+	P022-019990	1	ROPE, STARTER			
9	+	177228-27030	1	GRIP, STARTER			
10	+	P022-037670	1	STOPPER, ROPE			
11		A052-000180	1	PULLEY,ASM STARTER			
12	+	P022-006850	2	PAWL, STARTER			
13	+	P022-006510	2	SPRING, RETURN			
14	+	P022-002100	2	E-RING	4		
15		V804-000060	4	BOLT, TORX 4	TB-4*16 10.9		
16		X502-000330	1	LABEL,ECHO	ECHO		

10. GEAR CASE



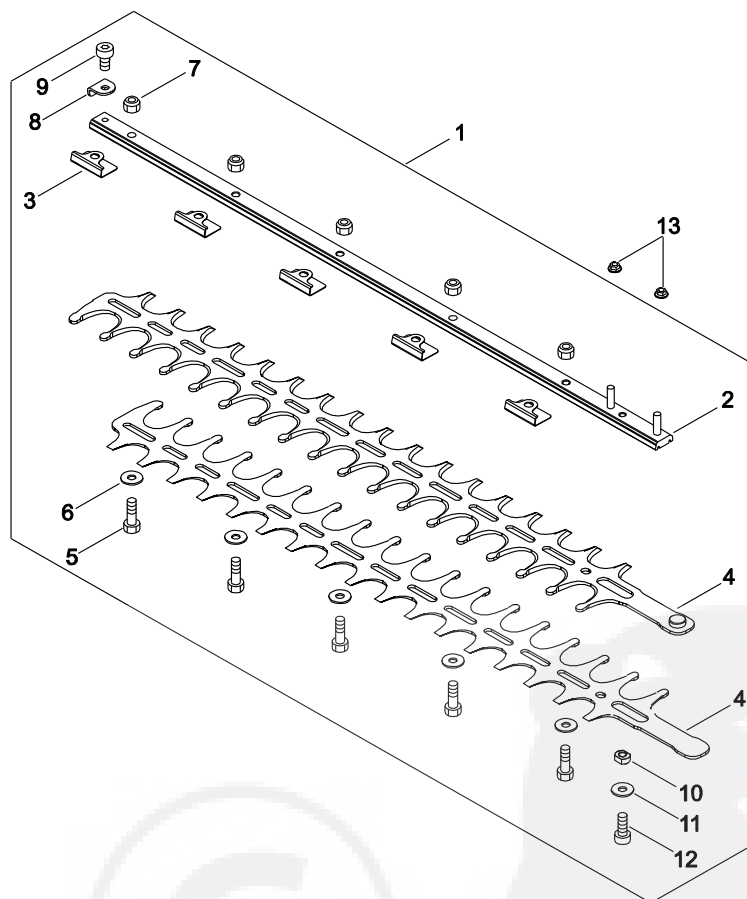
KEY	LV	PART NUMBER	Q'TY	DESCRIPTION	REMARKS	NOTE1	NOTE2
1		P021-047560	1	CASE ASY, GEAR			
2	+	C534-001060	1	SHAFT, GEAR			
3	+	C534-001010	1	SHAFT, GEAR	10 M6-M6		
4	+	V655-000090	1	SHAFT, PINION			
5	+	900800-36002	1	BEARING, BALL 6002	6002		
6	+	94004-36002	1	BEARING, BALL	BB6002ZZ/C3		
7	+	900701-00014	1	CIRCLIP 14	CS-14		
8	+	92424-32000	1	SNAP RING			
9	+	V187-000080	1	GREASE NIPPLE			
10	+	900603-00006	1	WASHER 6	6.5*13*1		
11	+	V187-000080	1	GREASE NIPPLE			
12		V150-003940	1	PLATE, EYE	T0.6		
13		V650-000660	1	GEAR, SPUR			
14		V356-000730	2	COLLAR, 10	9.5*13*L4		
15		C532-000360	2	ROD, CONNECTING			
16		V541-000570	1	SEAL			
17		V110-000180	1	GASKET, GEAR CASE			
18		C539-000130	1	LID, GEARCASE	T1.2		
19		V804-000110	7	BOLT, TORX 4	TB-4*10 12.9		
20		P021-047570	1	GEAR, BEVEL SET			
21		900603-00006	1	WASHER 6	6.5*13*1		
22		V347-000030	2	CONE WASHER			
23		900502-00006	1	NUT 6 (3N)	3N6		
24		900560-00006	1	NUT, LOCK	6		
25		P021-047820	1	CASE ASY, GEAR			

10. GEAR CASE



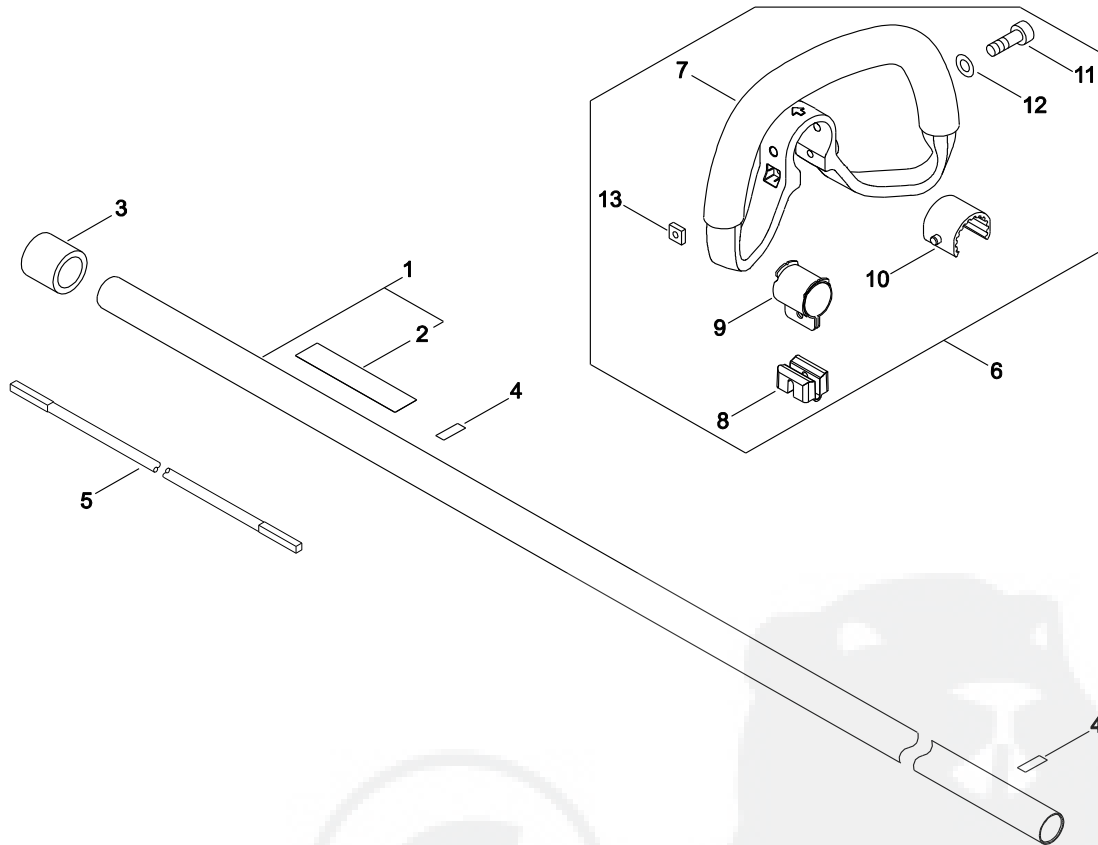
KEY	LV	PART NUMBER	Q'TY	DESCRIPTION	REMARKS	NOTE1	NOTE2
26	+	C531-001040	1	CASE,GEAR			
27	+	V651-001000	1	GEAR,BEVEL			
28	+	900855-06901	1	BEARING, BALL 6901	6901		
29	+	900859-06901	1	BEARING, BALL	6901		
30	+	900706-00012	1	CIRCLIP 12	WR-12		
31	+	92424-24000	1	SNAP RING			
32		900724-00035	1	O-RING 35			
33		V340-000300	1	SHIM			
34		V805-000170	1	BOLT, TORX 5	TB-5*25 10.9		
35		V805-000130	1	BOLT, TORX 5	TB-5*10 10.9		
36		C465-000030	1	RESETTER, LATCH			
37		900175-05012	2	BOLT, H.S.H	5*12		
38		C661-000150	1	LEVER, RELEASE	T3.2		
39		V494-000880	1	CAP			
40		C661-000080	1	SAFTY LEVER			
41		V494-000890	1	CAP			
42		V204-000580	2	PIN RATCHET			
43		V452-000710	1	COIL SPRING			
44		C403-000480	1	HANDLE			
45	+	V354-000320	2	COLLAR			
46		91463-06020	2	SCREW TRUSS			
47		C226-000060	1	PIN,CONTROL			
48		900720-00005	1	O-RING 5	P-5		

11. CUTTING BLADE



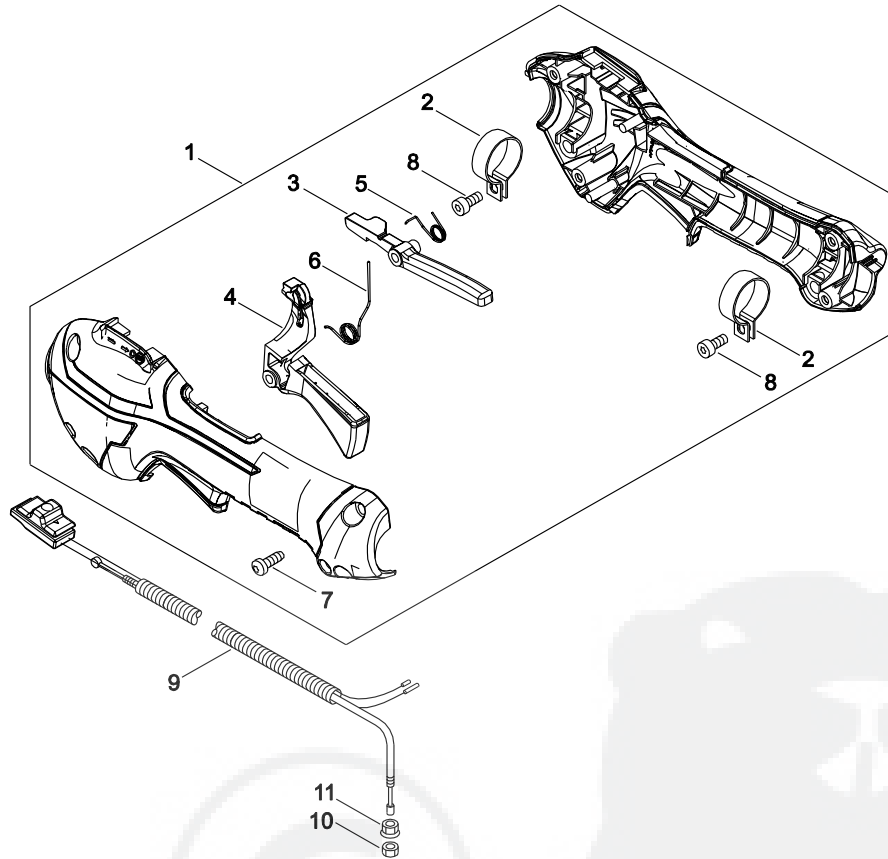
KEY	LV	PART NUMBER	Q'TY	DESCRIPTION	REMARKS	NOTE1	NOTE2
1		X041-000510	1	CUTTER,ASM			
2	+	X425-000920	1	SUPPORT,CUTTER	600MM		
3	+	X425-000930	5	SUPPORT,CUTTER	T0.5		
4	+	X411-001320	2	CUTTER	600MM T2.0		
5	+	V204-000570	5	BOLT			
6	+	V304-000240	5	WASHER			
7	+	433022-06460	5	NUT			
8	+	J447-001050	1	GUARD	T1.6		
9	+	V805-000120	1	BOLT, TORX 5	TB-5*8 10.9		
10	+	V376-002130	1	SPACER			
11	+	V304-000240	1	WASHER			
12	+	V805-000250	1	BOLT, TORX 5	TB-5*16 12.9		
13		V263-000330	2	FLANGE NUT			

12. MAIN PIPE, HANDLE



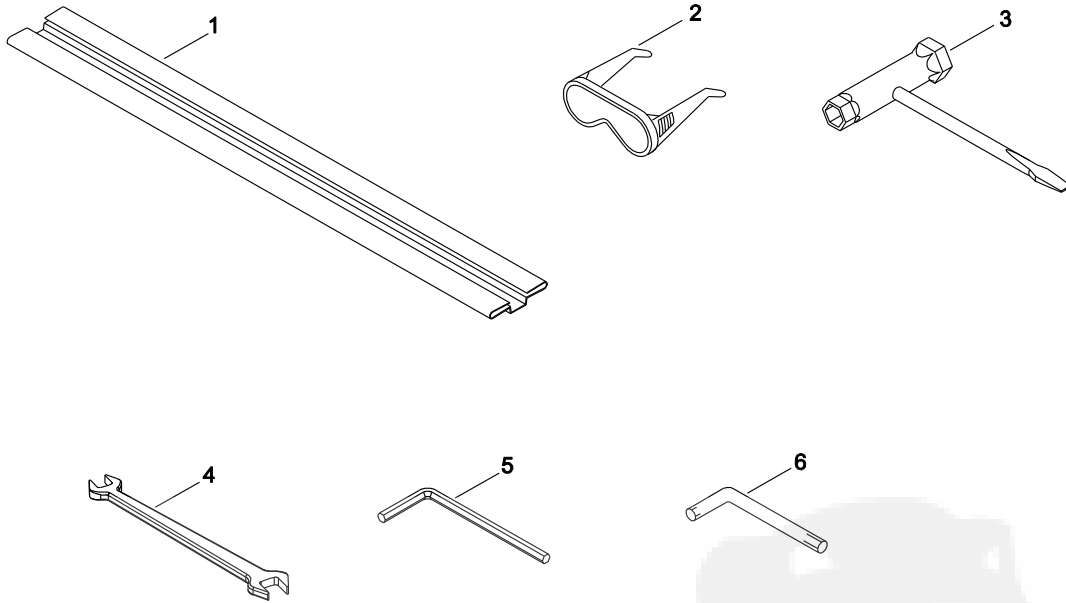
KEY	LV	PART NUMBER	Q'TY	DESCRIPTION	REMARKS	NOTE1	NOTE2
1		P021-047670	1	MAIN PIPE ASY			
2	+	X505-002890	1	LABEL CAUTION			
3		V362-000160	1	COLLAR,22			
4		890152-04930	2	LABEL, CAUTION			
5		C506-000370	1	SHAFT, FLEXIBLE	34.020 LNG		
6		P021-048780	1	HANDLE ASY			
7	+	C400-001020	1	HANDLE,FRONT			
8	+	C401-000280	1	PIECE,HANDLE			
9	+	C610-000050	1	FIXTURE, CUSHION			
10	+	V420-003700	1	CUSHION			
11	+	V805-000070	1	BOLT, TORX 5	TB-5*40 10.9		
12	+	900603-00005	1	WASHER 5	5.5*12*0.8		
13	+	V263-000130	1	NUT			

13. THROTTLE



KEY	LV	PART NUMBER	Q'TY	DESCRIPTION	REMARKS	NOTE1	NOTE2
1		P021-047691	1	GRIP ASY			
2	+	V495-003020	2	BAND			
3	+	C460-000441	1	LOCKOUT, THROTTLE	SRM-225 REDESIGN		
4	+	C453-000482	1	LEVER, THROTTLE	SRM-225 REDESIGN		
5	+	V452-001510	1	SPRING,TORSION	LOCKOUT LEVER		
6	+	V452-001520	1	SPRING,TORSION	THROTTLE LEVER		
7	+	V805-000000	4	BOLT, TORX 5	TT-5*16 DG 10.9		
8	+	V805-000150	2	BOLT, TORX 5	TB-5*16 10.9		
9		P021-047700	1	CABLE ASY, CONTROL			
10		900502-00006	1	NUT 6 (3N)	3N6		
11		900518-00006	1	NUT, FLANGE	6		

14. ACCESSORIES



KEY	LV	PART NUMBER	Q'TY	DESCRIPTION	REMARKS	NOTE1	NOTE2
1		X495-000570	1	SCABBARD,BLADE			
2		X690-000080	1	GOGGLE	SI CHINA, Z87.1		
3		895410-03930	1	WRENCH, W/S DRIVER			
4		895112-00330	1	SPANNER 8*10			
5		X605-000100	1	TOOL,L WRENCH	4MM M5		
6		X605-000170	1	TOOL,L WRENCH			

Index

Patrs Number	Key No.	Patrs Number	Key No.	Patrs Number	Key No.
100013-11520	1 - 7	900724-00035	10 - 32	C661-000150	10 - 38
100014-11520	1 - 8	900800-36002	10 - 5	J447-001050	11 - 8
100015-04630	1 - 9	900807-06001	4 - 3	P005-000010	6 - 2
100204-52133	2 - 1	900855-06901	10 - 28	P005-000100	6 - 9
100212-42031	2 - 3	900859-06901	10 - 29	P005-000190	6 - 12
100242-42030	2 - 4	91463-06020	10 - 46	P005-000200	6 - 14
101010-44332	1 - 4	92424-24000	10 - 31	P005-000250	6 - 21
125323-08260	6 - 6	92424-32000	10 - 8	P005-000270	6 - 23
125337-08260	6 - 3	94004-36002	10 - 6	P005-000280	6 - 24
125338-13930	6 - 4	94035-36201	2 - 2	P005-000510	6 - 17
125339-42030	6 - 7	A011-001410	1 - 1	P005-000520	6 - 18
125342-52130	6 - 15	A021-003881	5 - 1	P005-001000	6 - 25
125344-13931	6 - 10	A021-003881	6 - 1	P005-001240	6 - 11
125344-52130	6 - 16	A051-001312	9 - 1	P005-001250	6 - 26
129011-52730	5 - 8	A052-000180	9 - 11	P005-001260	6 - 27
130017-44331	5 - 3	A056-000780	4 - 12	P005-001270	6 - 28
131016-55830	7 - 13	A101-000090	1 - 6	P005-001890	6 - 19
132012-56030	7 - 11	A130-002100	1 - 3	P005-001900	6 - 22
132115-46730	7 - 4	A160-001090	1 - 11	P005-002230	6 - 13
145862-40630	8 - 6	A172-000860	4 - 2	P005-002430	6 - 5
159116-21231	2 - 7	A226-001410	5 - 13	P005-003110	6 - 20
162014-27230	2 - 6	A232-000480	5 - 10	P021-007712	1 - 5
175005-48931	4 - 5	A259-000010	6 - 29	P021-012210	7 - 12
177228-27030	9 - 9	A313-000600	8 - 5	P021-012870	5 - 7
177236-61830	9 - 7	A320-000480	8 - 1	P021-047560	10 - 1
433022-06460	11 - 7	A350-000801	7 - 1	P021-047570	10 - 20
610910-55230	4 - 10	A356-000031	7 - 9	P021-047630	4 - 1
610922-27432	4 - 8	A365-000060	7 - 14	P021-047651	8 - 4
610923-55230	4 - 9	A369-000480	7 - 6	P021-047670	12 - 1
890152-04930	12 - 4	A409-000160	3 - 1	P021-047691	13 - 1
890332-52730	5 - 11	A411-000130	3 - 2	P021-047700	13 - 9
895112-00330	14 - 4	A425-000000	3 - 6	P021-047820	10 - 25
895410-03930	14 - 3	A426-000010	3 - 8	P021-048780	12 - 6
900162-05022	1 - 10	A427-000013	3 - 7	P022-002100	9 - 14
900162-05028	2 - 5	C226-000060	10 - 47	P022-006510	9 - 13
900175-05012	10 - 37	C400-001020	12 - 7	P022-006850	9 - 12
900500-00005	5 - 5	C401-000280	12 - 8	P022-008270	9 - 5
900502-00006	10 - 23	C403-000480	10 - 44	P022-019680	9 - 6
900502-00006	13 - 10	C453-000482	13 - 4	P022-019990	9 - 8
900518-00006	13 - 11	C460-000441	13 - 3	P022-034030	9 - 4
900560-00006	10 - 24	C465-000030	10 - 36	P022-034040	9 - 3
900603-00005	12 - 12	C506-000370	12 - 5	P022-036970	9 - 2
900603-00006	10 - 10	C531-001040	10 - 26	P022-037670	9 - 10
900603-00006	10 - 21	C532-000360	10 - 15	V103-001360	5 - 6
900701-00012	4 - 6	C534-001010	10 - 3	V103-001390	5 - 2
900701-00014	10 - 7	C534-001060	10 - 2	V104-000850	8 - 11
900702-00028	4 - 4	C539-000130	10 - 18	V104-001760	8 - 7
900706-00012	10 - 30	C610-000050	12 - 9	V110-000180	10 - 17
900720-00005	10 - 48	C661-000080	10 - 40	V150-000371	8 - 10

Index

Patrs Number	Key No.	Patrs Number	Key No.	Patrs Number	Key No.
V150-003940	10 - 12	V805-000150	1 - 13		
V187-000080	10 - 9	V805-000150	8 - 3		
V187-000080	10 - 11	V805-000150	13 - 8		
V204-000570	11 - 5	V805-000160	4 - 11		
V204-000580	10 - 42	V805-000160	5 - 4		
V263-000130	12 - 13	V805-000160	7 - 3		
V263-000330	11 - 13	V805-000170	10 - 34		
V299-000250	5 - 12	V805-000190	8 - 9		
V304-000240	11 - 6	V805-000250	11 - 12		
V304-000240	11 - 11	X041-000510	11 - 1		
V340-000300	10 - 33	X411-001320	11 - 4		
V347-000030	10 - 22	X425-000920	11 - 2		
V353-000231	7 - 2	X425-000930	11 - 3		
V354-000320	10 - 45	X495-000570	14 - 1		
V356-000730	10 - 14	X502-000330	9 - 16		
V362-000160	12 - 3	X505-002890	12 - 2		
V376-002130	11 - 10	X505-007710	1 - 15		
V420-003700	12 - 10	X547-002660	1 - 14		
V451-000680	4 - 13	X605-000100	14 - 5		
V452-000710	10 - 43	X605-000170	14 - 6		
V452-001510	13 - 5	X690-000080	14 - 2		
V452-001520	13 - 6				
V470-000840	7 - 5				
V471-001210	7 - 8				
V475-007200	3 - 3				
V485-001120	3 - 4				
V490-001240	7 - 7				
V490-001240	7 - 10				
V494-000880	10 - 39				
V494-000890	10 - 41				
V495-003020	13 - 2				
V541-000570	10 - 16				
V553-000060	1 - 2				
V650-000660	10 - 13				
V651-001000	10 - 27				
V655-000090	10 - 4				
V804-000030	8 - 8				
V804-000060	4 - 7				
V804-000060	9 - 15				
V804-000070	3 - 5				
V804-000110	10 - 19				
V805-000000	1 - 12				
V805-000000	8 - 2				
V805-000000	13 - 7				
V805-000070	12 - 11				
V805-000100	5 - 9				
V805-000120	11 - 9				
V805-000130	2 - 8				
V805-000130	10 - 35				

YAMABIKO CORPORATION

7-2 SUEHIROCHO 1-CHOME, OHME, TOKYO 198-8760, JAPAN
PHONE: 81-428-32-6118. FAX: 81-428-32-6145.



shindaiwa[®]



-15E
No. 07-197