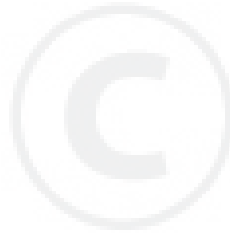




PARTS CATALOG

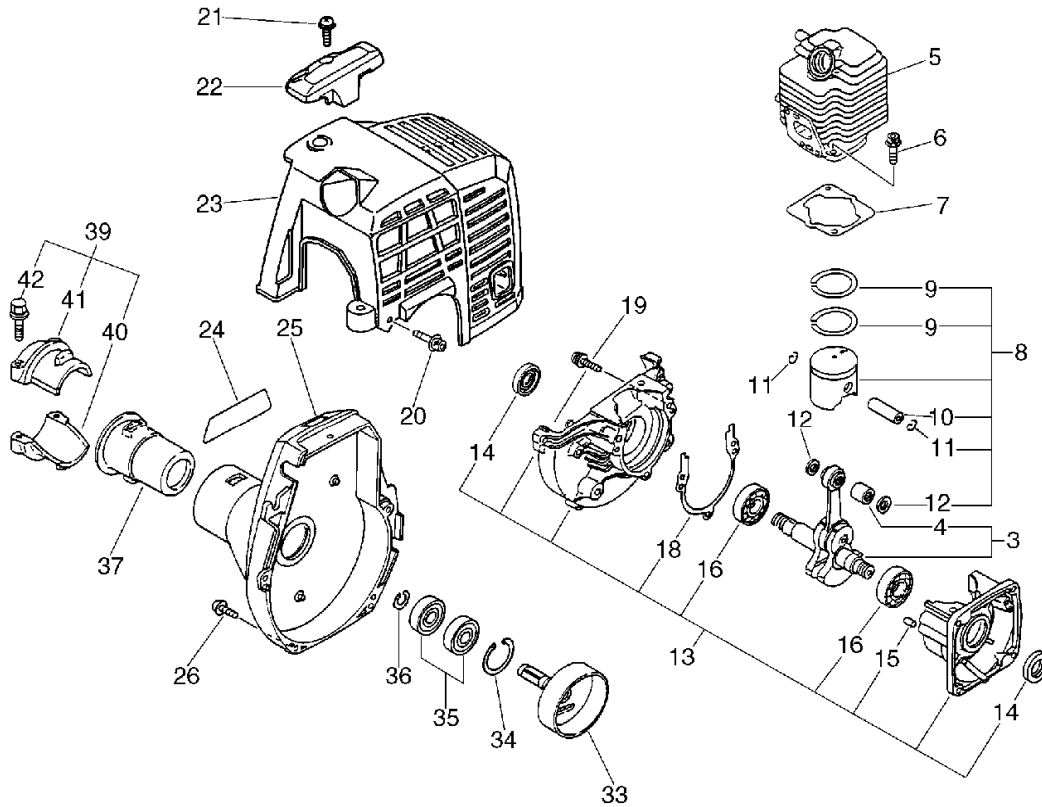
SHAFT HEDGE TRIMMER

SHC-2400S(6digits)(35)(36)



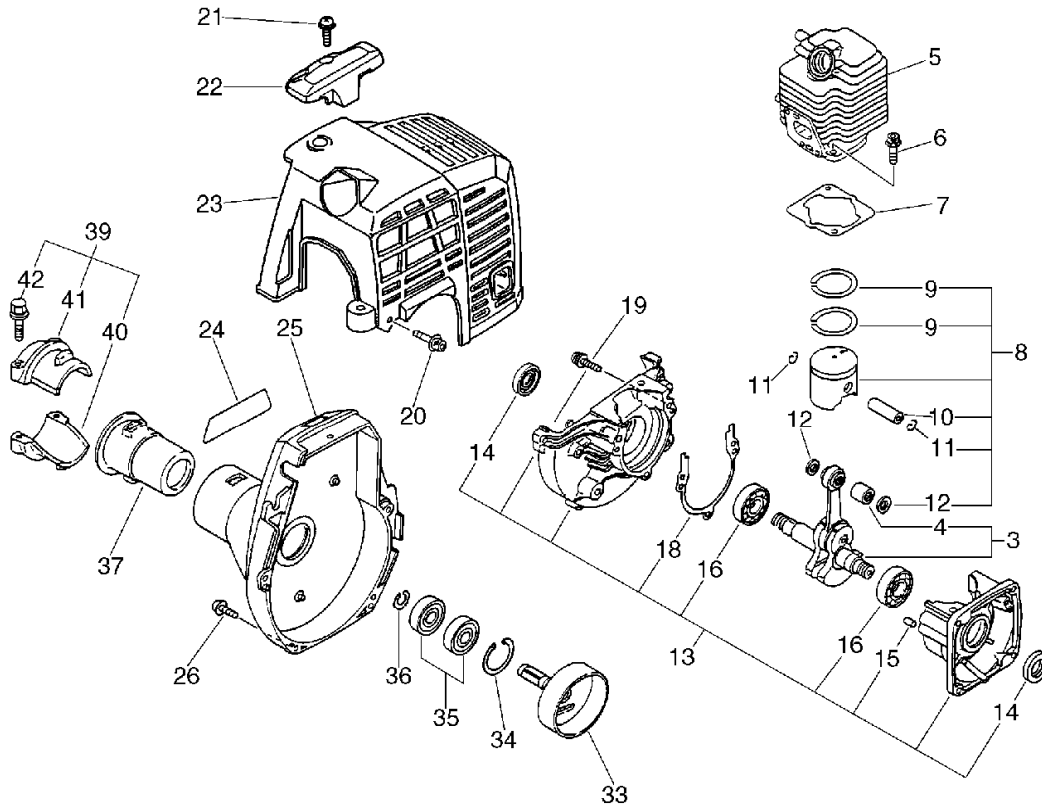
SHC-2400S(6digits)(35)(36)

1. Cylinder, Crankcase, Piston, Fan Cover



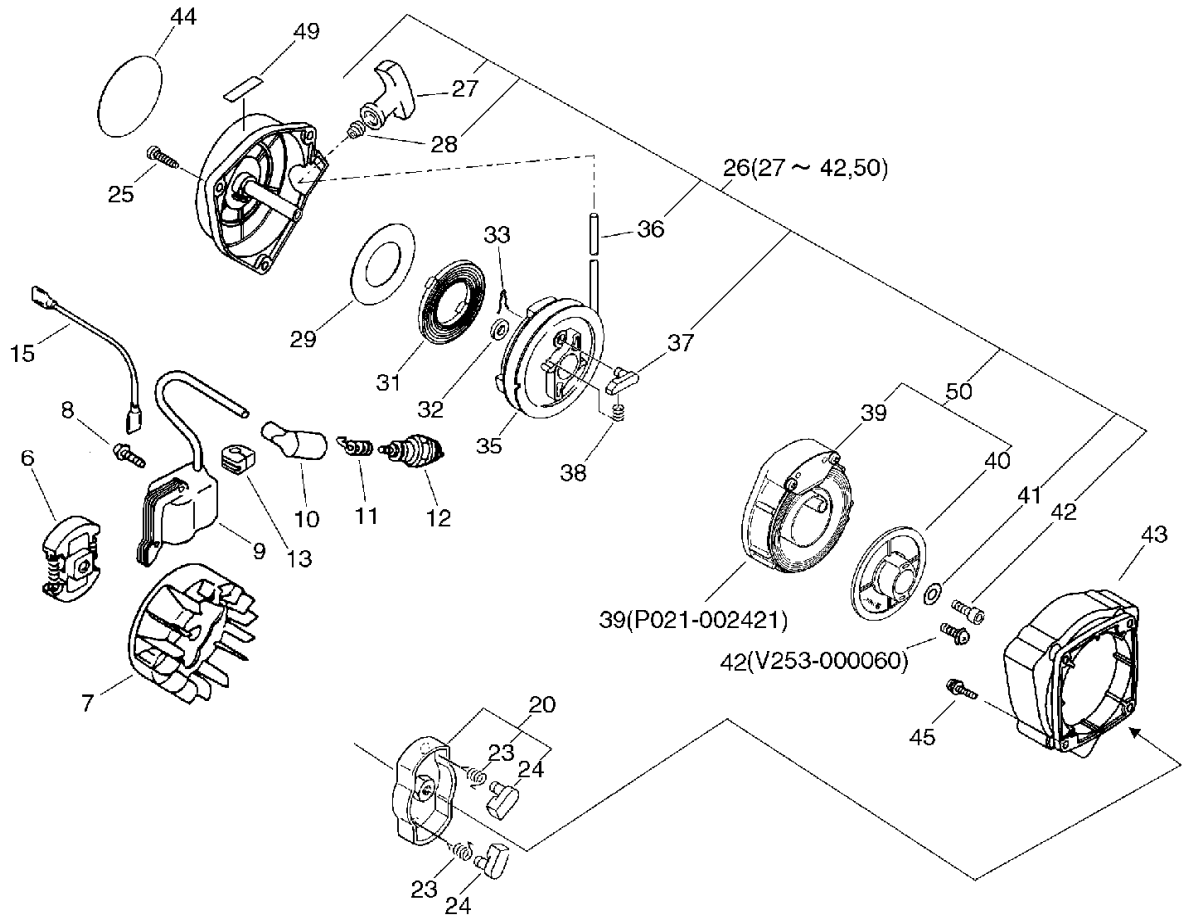
KEY	LV	PART NUMBER	Q'TY	DESCRIPTION	REMARKS	NOTE1	NOTE2
						Sus. by A011-000101	
3		A011-000100	1	CRANKSHAFT,ASM			
3		A011-000101	1	CRANKSHAFT,ASM			
4	+	V553-000010	1	BEARING,NEEDLE 8	HK0810		
5		101011-08961	1	CYLINDER (CR)			
6		900162-05022	2	BOLT, H.S. 5*22	5*22 W,SW		
7		101010-44332	1	GASKET, CYL. BASE			
8		100000-09563	1	PISTON KIT			
9	+	100011-09560	2	RING, PISTON			
10	+	100013-11520	1	PIN, PISTON			
11	+	100015-04630	2	CIRCLIP, PISTON PIN			
12	+	100014-11520	2	SPACER, PISTON PIN			
13		100204-52130	1	CRANKCASE KIT		Sus. by 100204-52132	
13		100204-52131	1	CRANKCASE KIT		Sus. by 100204-52132	
13		100204-52132	1	CRANKCASE KIT			
14	+	100212-42030	2	OILSEAL	ISCD12*22*4.5	Sus. by 100212-42031	
14	+	100212-42031	2	OILSEAL	ISCD 12*22*4.5		
15	+	100215-03930	2	PIN, DOWEL		Sus. by V622-000020	
15	+	V622-000020	2	PIN,STRAIGHT 4	4*7.8		
16	+	94035-36201	2	BEARING BALL	6201X3JR2C3		
18	+	100242-42030	1	GASKET, CRANKCASE			

1. Cylinder, Crankcase, Piston, Fan Cover



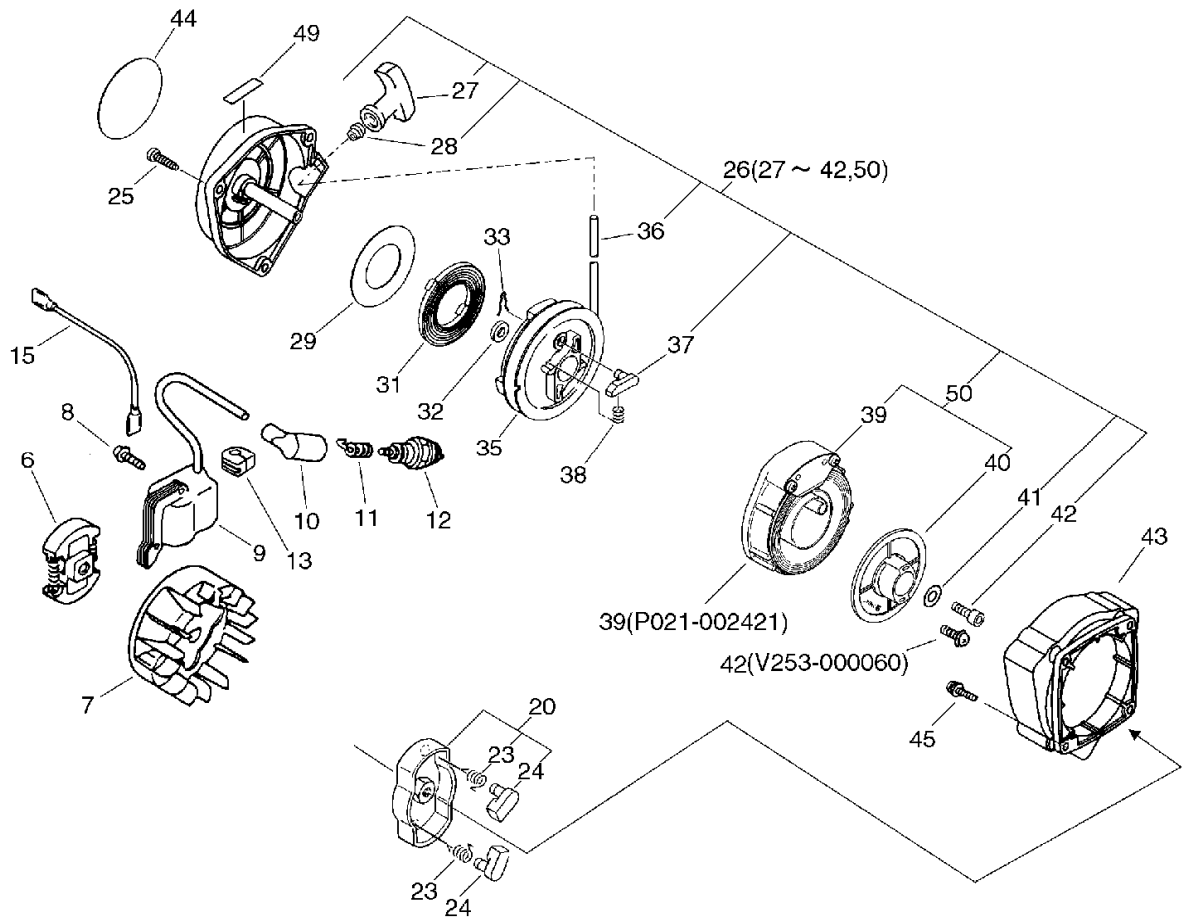
KEY	LV	PART NUMBER	Q'TY	DESCRIPTION	REMARKS	NOTE1	NOTE2
19	+	900162-05028	3	BOLT, H.S. 5*28	5*28 W,SW		
20		900163-04016	2	BOLT HSH			
21		900238-05016	1	SCREW 5*16	5*16		
22		159912-54130	1	GUARD, TOP			
23		101514-48930	1	COVER, CYLINDER			
24		X503-001900	1	LABEL MODEL	SHC-2400S		
25		101503-52131	1	COVER ASSY, FAN			
26		900163-04016	4	BOLT HSH			
33		175005-48931	1	DRUM, CLUTCH			
34		900702-00028	1	CIRCLIP 28	CR-28		
35		900807-96001	2	BEARING, BALL 6001	6001		
36		900701-00012	1	CIRCLIP 12	CS-12		
37		610910-55230	1	CUSHION			
39		610903-55230	1	HOLDER KIT			
40	+	610923-55230	1	HOLDER			
41	+	610922-27432	1	HOLDER			
42	+	900142-05025	2	BOLT 5*25 (W/W,SW)	5*25		

2. Starter, Magneto, Clutch



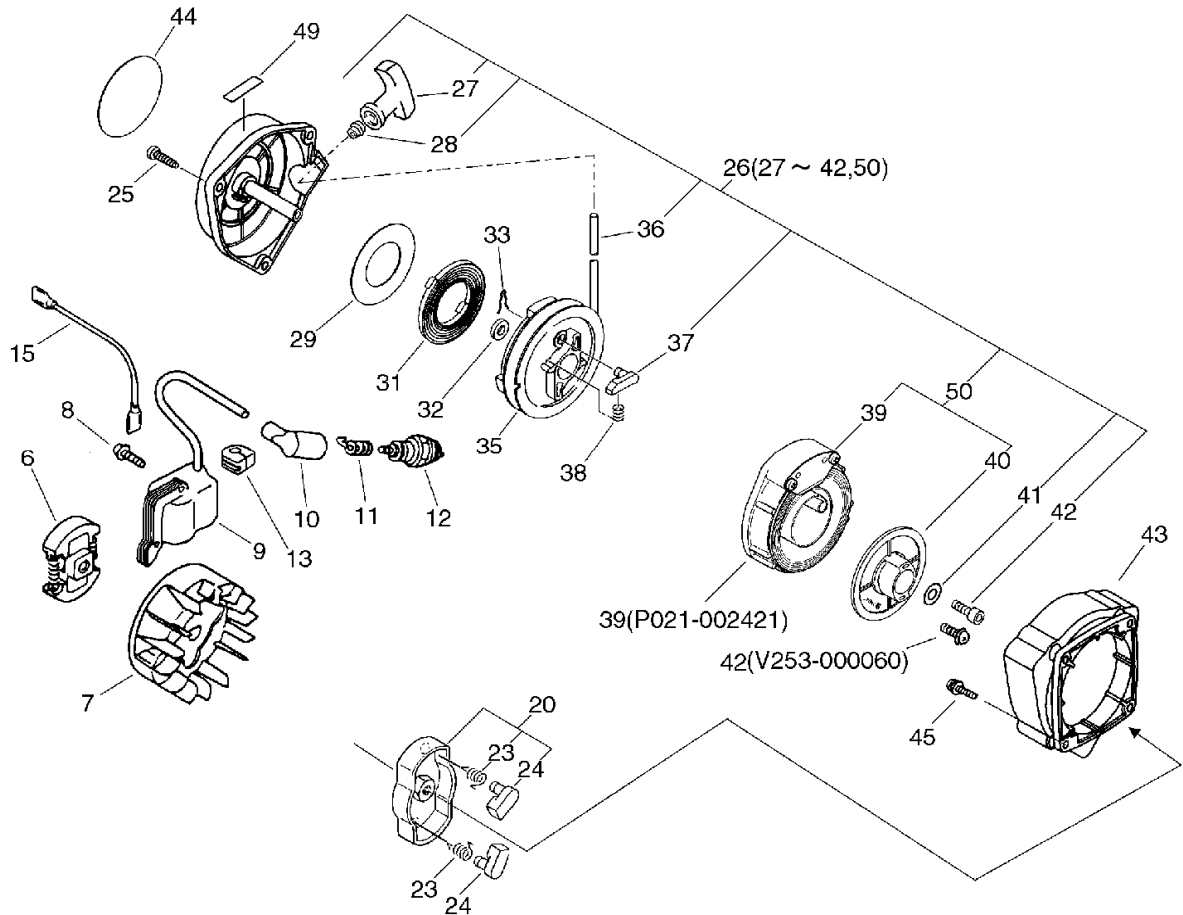
KEY	LV	PART NUMBER	Q'TY	DESCRIPTION	REMARKS	NOTE1	NOTE2
6		175000-56830	1	CLUTCH ASSY		Sus. by 175000-56831	
7		156801-44731	1	FLYWHEEL			
8		900162-04022	2	BOLT, H.S. 4*22	4*22 W,SW		
9		156626-52630	1	COIL, IGNITION			
10		159012-03433	1	CAP, SPARK PLUG			
11		159011-03432	1	COIL, SPARK PLUG			
12		159017-10230	1	PLUG, SPARK (RCJ-7Y)	RCJ-7Y		
13		156112-40630	1	GROMMET			
15		162010-52830	1	LEAD, GROUND			
20		177202-44330	1	PAWL ASSY, STARTER		Sus. by 177202-12220	
20		177202-12220	1	PAWL ASSY, STARTER			
23	+	177234-42030	1	SPRING, RETURN		Can be used on the 177202-44330 only	
23	+	177234-42030	2	SPRING, RETURN		Can be used on the 177202-12220 only	
24	+	177218-44330	1	PAWL, STARTER	BLACK	Can be used on the 177202-44330 only	
24	+	177218-44330	2	PAWL, STARTER	BLACK	Can be used on the 177202-12220 only	
25		900253-05020	3	SCREW 5*20	5*20		

2. Starter, Magneto, Clutch



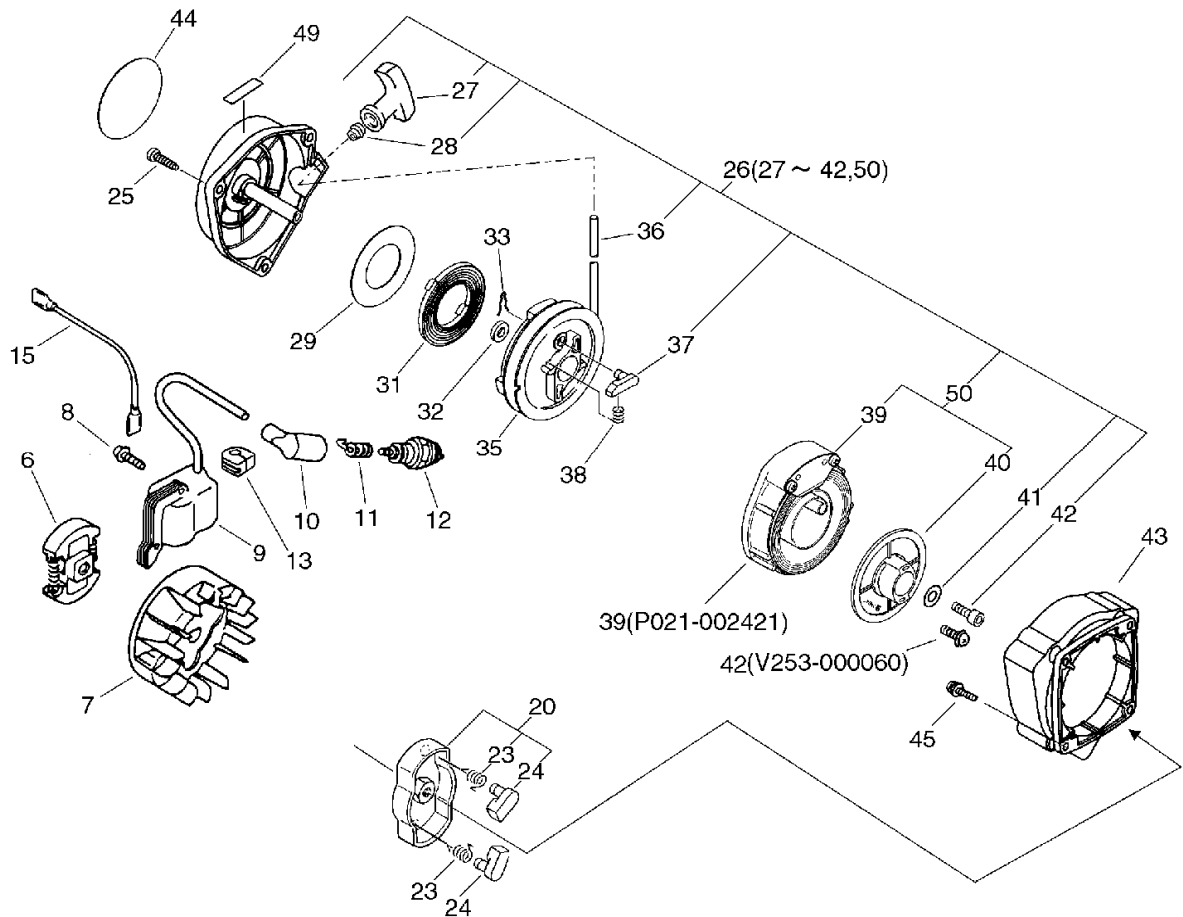
KEY	LV	PART NUMBER	Q'TY	DESCRIPTION	REMARKS	NOTE1	NOTE2
26		A051-000060	1	STARTER,RECOIL		Sus. by A051-000371	
26		A051-000120	1	STARTER,RECOIL		Sus. by A051-000371	
26		A051-000121	1	STARTER,RECOIL		Sus. by A051-000371	
26		A051-000122	1	STARTER,RECOIL		Sus. by A051-000371	
26		A051-000123	1	STARTER,RECOIL		Sus. by A051-000371	
26		A051-000124	1	STARTER,RECOIL		Sus. by A051-000371	
26		A051-000370	1	STARTER,RECOIL		Sus. by A051-000371	
27	+	177228-27030	1	GRIP, STARTER			
28	+	177227-42030	1	GUIDE, ROPE			
29	+	A503-000000	1	PLATE,STARTER		Sus. by A503-000010	
29	+	A503-000010	1	PLATE,STARTER			
31	+	A504-000000	1	SPRING,SPIRAL		Sus. by A504-000001	
31	+	A504-000001	1	SPRING,SPIRAL			
32	+	V355-000080	1	COLLAR,8	8.2*16*3		
33	+	900700-00004	2	E-RING 4	CE-4	Sus. by V641-000040	

2. Starter, Magneto, Clutch



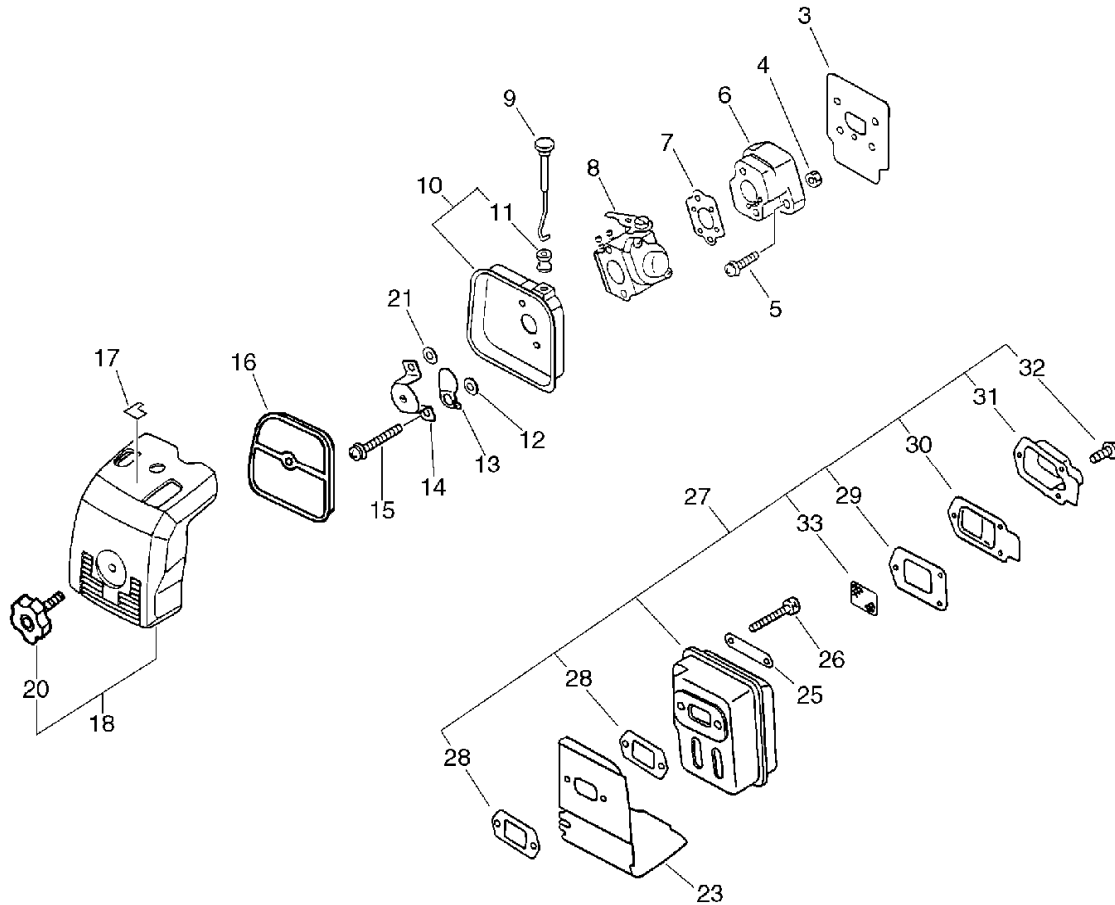
KEY	LV	PART NUMBER	Q'TY	DESCRIPTION	REMARKS	NOTE1	NOTE2
33	+	V641-000040	2	PIN,SNAP			
35	+	A506-000010	1	REEL,ROPE			
36	+	177226-10120	1	ROPE, STARTER	3.0*1000		
37	+	A514-000010	2	PAWL			
38	+	V450-000130	2	SPRING,COMPRESSION			
39	+	P021-002410	1	POWER SPRING ASY		Sus. by A053-000031	
39	+	P021-002420	1	POWER SPRING ASY		Sus. by A053-000031	
39	+	P021-002421	1	POWER SPRING ASY		Sus. by A053-000031	
50	+	A053-000030	1	SPRING,SET POWER		Sus. by A053-000031	
50	+	A053-000031	1	SPRING,ASM POWER			
39	++	P021-002422	1	POWER SPRING ASY		Sus. by P021-004020	
39	++	P021-004020	1	POWER SPRING ASY			
40	++	A520-000002	1	PULLEY,STARTING		Can be used on the P021-002422,-004020	
40	+	A520-000000	1	PULLEY,STARTING		Sus. by A520-000001	
40	+	A520-000001	1	PULLEY,STARTING		Can be used on the P021-002421 only	

2. Starter, Magneto, Clutch



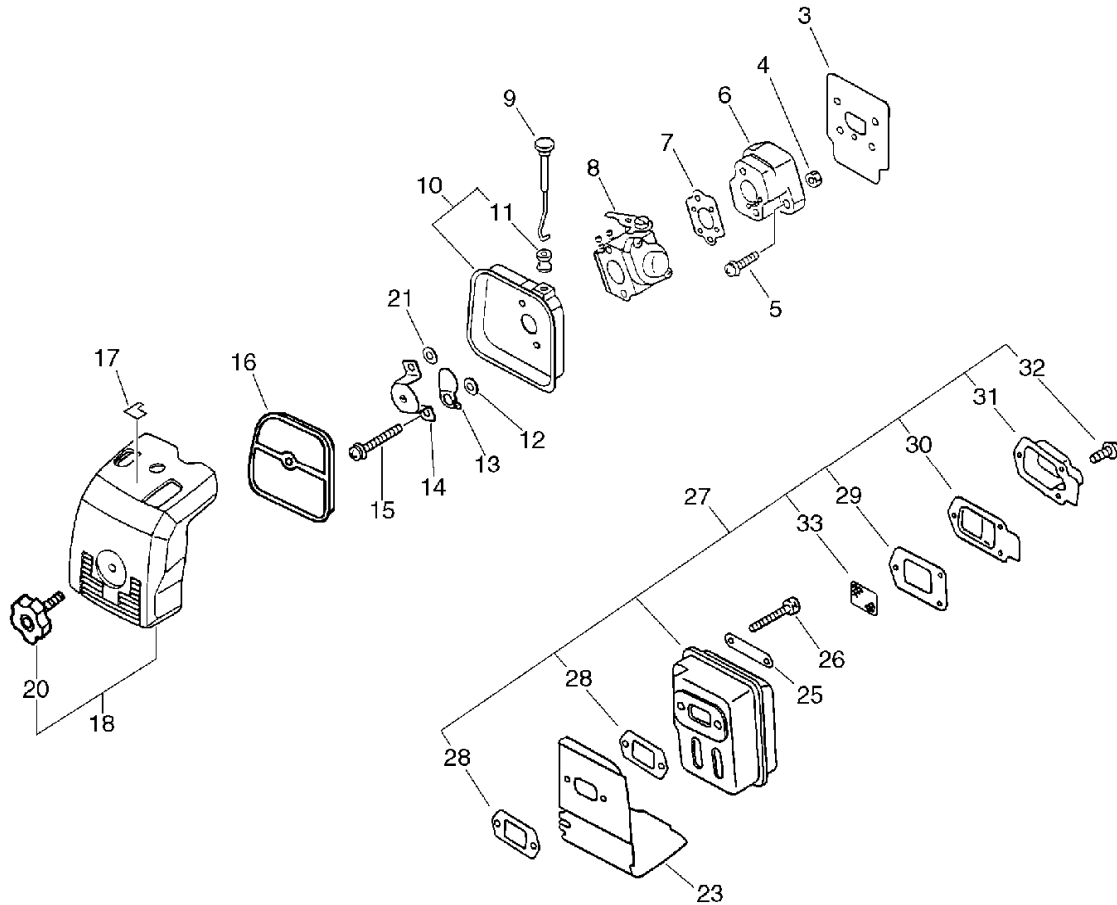
KEY	LV	PART NUMBER	Q'TY	DESCRIPTION	REMARKS	NOTE1	NOTE2
41	+	177214-02830	1	WASHER	5.2*16*1.0T	Sus. by V253-000060	
42	+	900105-05012	1	BOLT, H.S. 5*12	5*12	Sus. by V253-000060	
42	+	V253-000060	1	SCREW,5			
43		V376-000160	1	SPACER			
44		X502-000030	1	LABEL,ECHO		Sus. by X502-000032	
44		X502-000031	1	LABEL,ECHO		Sus. by X502-000032	
44		X502-000032	1	LABEL,ECHO			
45		900163-04016	2	BOLT HSH			
49		X505-000620	1	LABEL,CAUTION			

3. Air Cleaner, Muffler



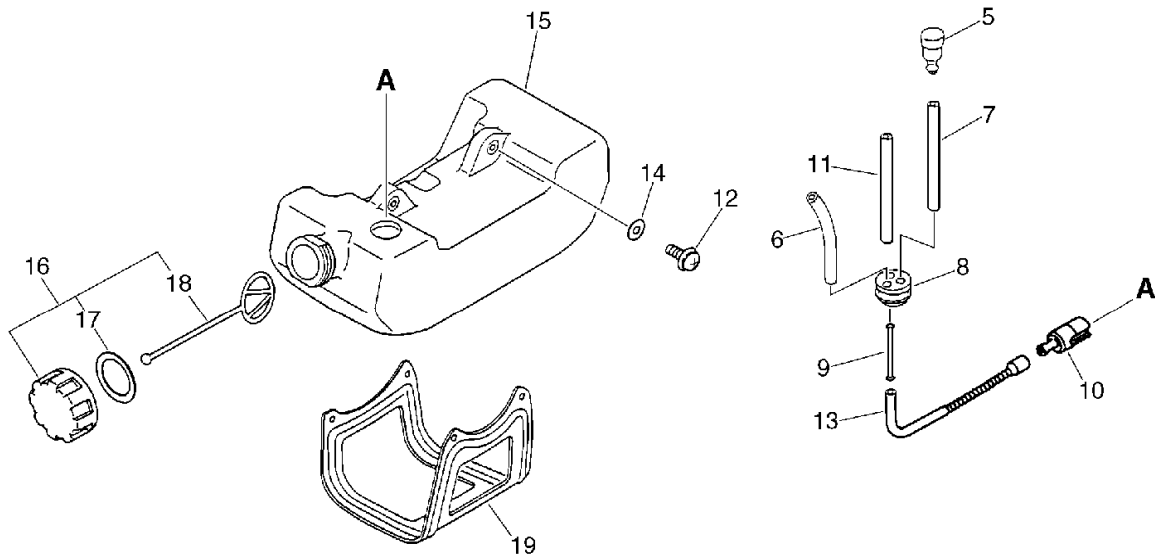
KEY	LV	PART NUMBER	Q'TY	DESCRIPTION	REMARKS	NOTE1	NOTE2
3		130010-42032	1	GASKET,INTAKE			
4		900500-00005	2	NUT 5	5		
5		900238-05020	2	SCREW 5*20	5*20		
6		130017-42031	1	INSULATOR, INTAKE			
7		130010-05960	1	GASKET, INTAKE			
8		123000-52133	1	CARBURETOR WT-424C	WT-424C		
9		178510-51730	1	ROD, CHOKE			
10		130301-51730	1	CASE, AIR CLEANER			
11	+	178810-05230	1	GROMMET			
12		178516-00830	1	SPACER	5.2*8*0.8T		
13		178515-05060	1	SHUTTER, CHOKE			
14		129011-52130	1	PLATE		Sus. by 129011-52131	
14		129011-52131	1	PLATE			
15		900242-05057	2	SCREW 5*57	5*57		
16		130310-51830	1	FILTER, AIR			
17		890121-47530	1	LABEL, CHOKE			
18		130302-52130	1	COVER ASSY, AIR CLN.		Sus. by 130302-52131	
18		130302-52131	1	COVER ASY, A.CLEANER			
20	+	130406-52130	1	KNOB, FASTENER		Sus. by 130406-52131	
20	+	130406-52131	1	KNOB, FASTENER			
21		900600-00005	1	WASHER 5	5		
23		145631-42030	1	COVER, MUFFLER		Sus. by A320-000251	

3. Air Cleaner, Muffler



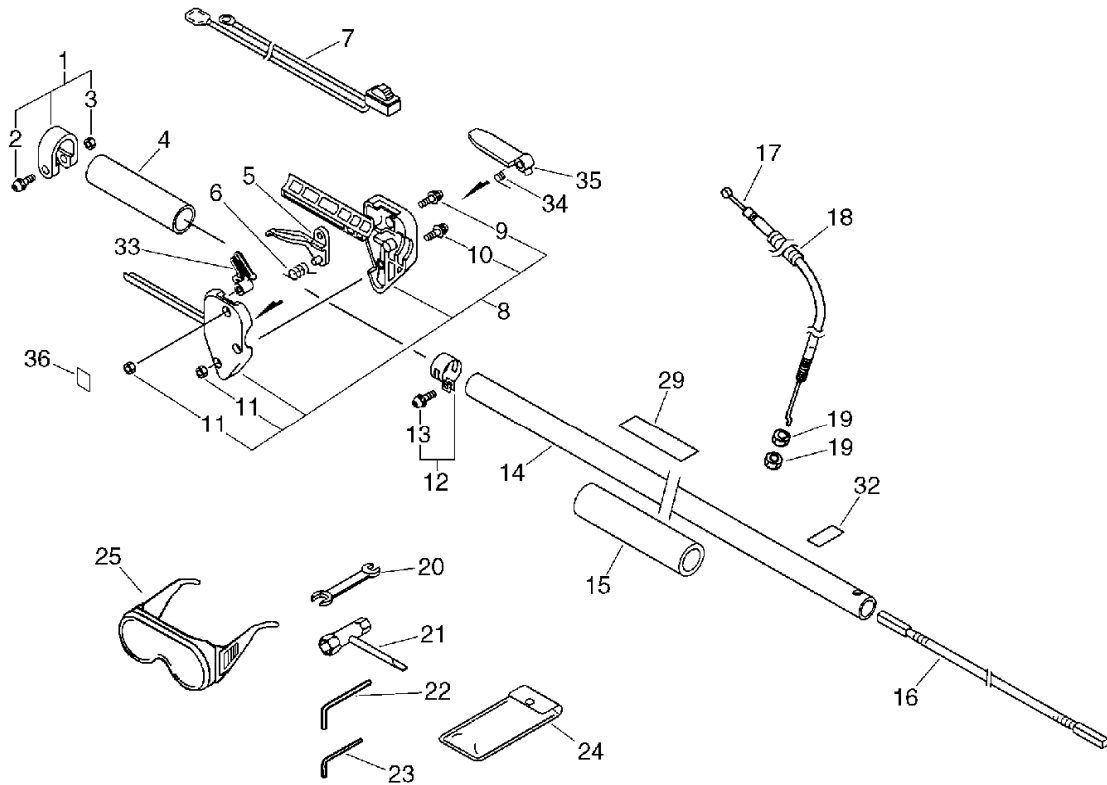
KEY	LV	PART NUMBER	Q'TY	DESCRIPTION	REMARKS	NOTE1	NOTE2
23		A320-000250	1	COVER,MUFFLER			Sus. by A320-000251
23		A320-000251	1	COVER,MUFFLER			
25		145642-04930	1	WASHER			
26		900105-05055	2	BOLT, H.S. 5*55	5*55		
27		145802-21560	1	MUFFLER ASSY		Sr/Nr 35001712 and before	
27		P021-008940	1	MUFFLER ASY		Sr/Nr 36001001 and after	
28	+	V104-000160	2	GASKET,EXHAUST			
29	+	145866-42031	1	GASKET, MUFFLER LID			
30	+	145876-42030	1	LID, MUFFLER (B)			
31	+	145818-52130	1	GUIDE, EXHAUST			
32	+	900242-04010	3	SCREW 4*10	4*10		
33	+	145862-40630	1	SCREEN, MUFFLER		Sr/Nr 36001001 and after	

4. Fuel Tank



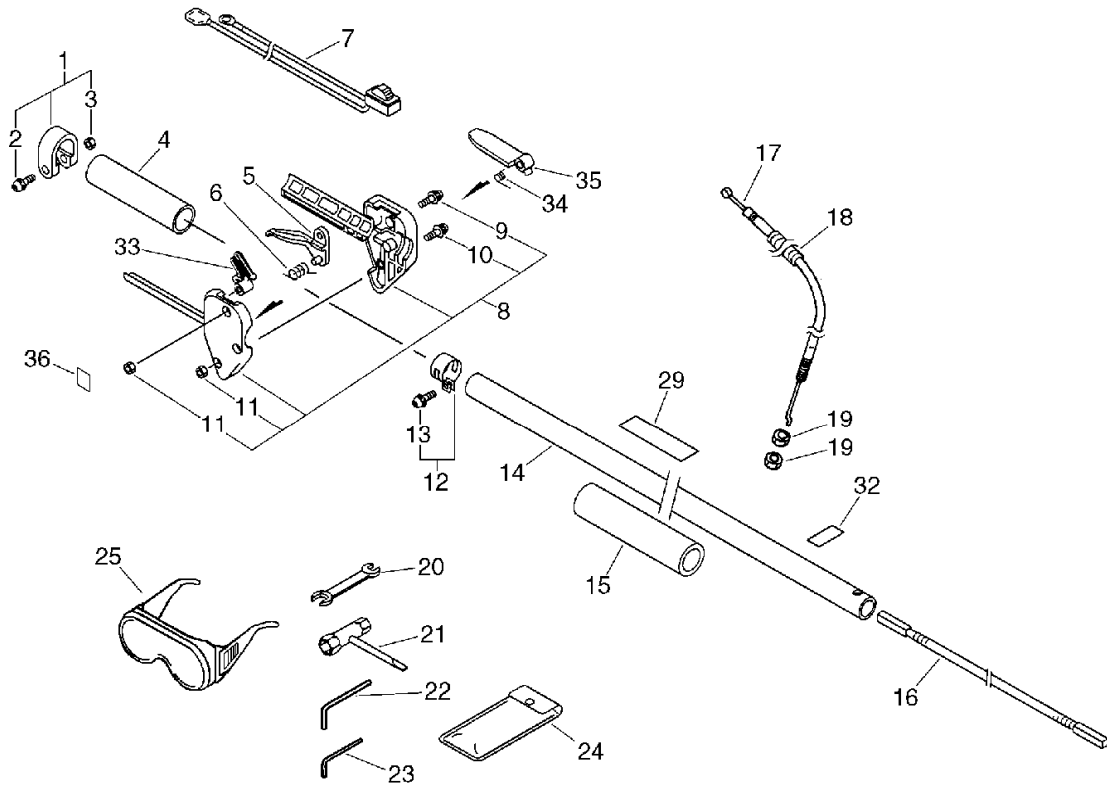
KEY	LV	PART NUMBER	Q'TY	DESCRIPTION	REMARKS	NOTE1	NOTE2
5		131300-56430	1	VALVE, CHECK		Sus. by A356-000030	
5		A356-000030	1	VALVE,CHECK			
6		132010-56330	1	PIPE 3*6*90	3*6*90 YL		
7		131312-39130	1	PIPE	3*5*70(+3)NBR	Sus. by V471-001200	
7		V471-001200	1	PIPE	3*5*70 NBR		
8		132115-46730	1	GROMMET, FUEL		Sus. by V137-000030	
8		V137-000030	1	GROMMET,FUEL			
9		132011-03360	1	CONNECTOR, FUEL PIPE			
10		131205-07320	1	STRAINER, FUEL			
11		131312-39130	1	PIPE	3*5*70(+3)NBR	Sus. by V471-001200	
11		V471-001200	1	PIPE	3*5*70 NBR		
12		900238-05016	2	SCREW 5*16	5*16		
13		132012-12360	1	PIPE, FUEL		Sus. by 132012-12361	
14		900603-00005	2	WASHER 5	5.5*12*0.8		
15		131005-46830	1	TANK, FUEL		Sus. by 131005-46831	
15		131005-46831	1	TANK, FUEL			
16		131004-08960	1	CAP ASSY, FUEL			
17	+	131016-55830	1	GASKET, FUEL CAP			
18	+	131051-52430	1	CONNECTOR, CAP	80L		
19		305110-42030	1	STAND (BL)			

5. Handle, Tools



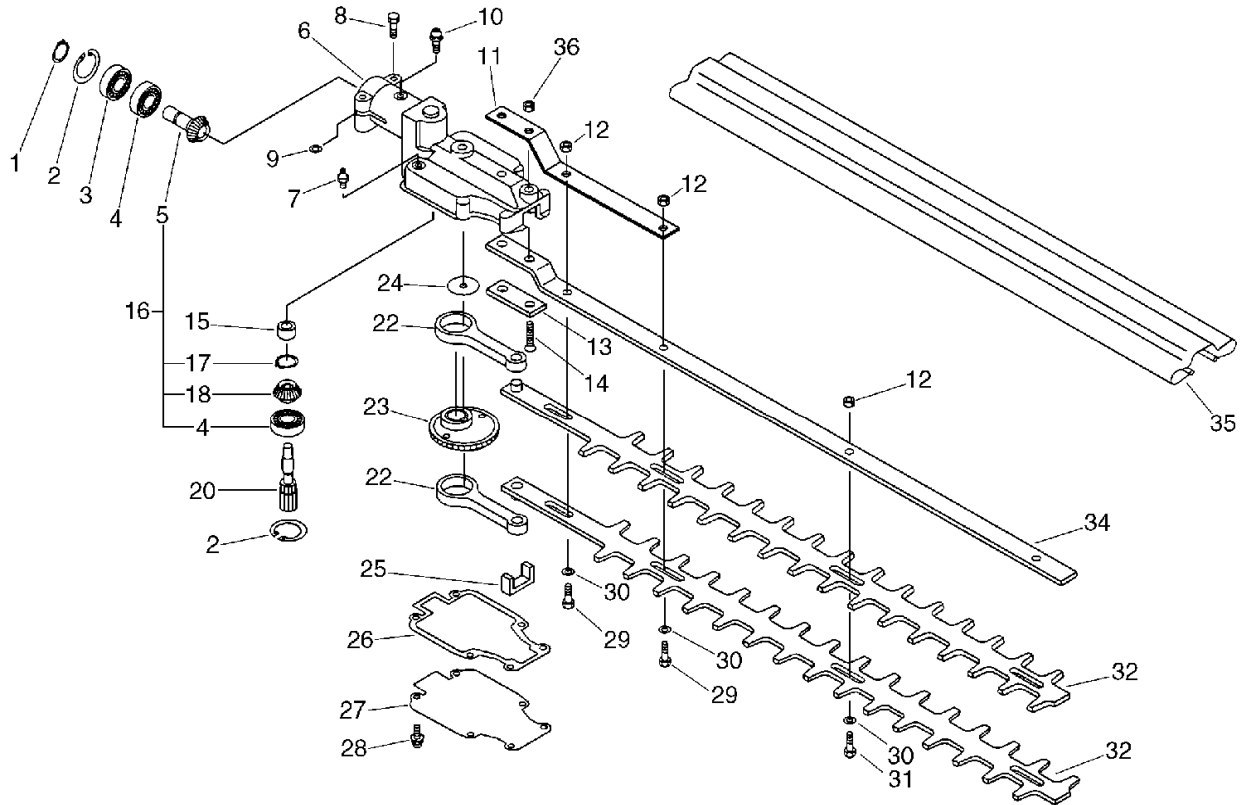
KEY	LV	PART NUMBER	Q'TY	DESCRIPTION	REMARKS	NOTE1	NOTE2
1		610272-52130	1	BAND			
2	+	900242-05028	1	SCREW 5*28	5*28		
3	+	900500-00005	1	NUT 5	5		
4		351213-52130	1	GRIP			
5		178010-52130	1	CONTROL, THROTTLE			
6		178043-42230	1	SPRING, THR. RETURN			
7		163401-55630	1	SWITCH, IGNITION		Sus. by 163401-55631	
7		163401-55631	1	SWITCH, IGNITION			
8		178003-52130	1	BRACKET SET, THROTTLE			
9	+	900242-05035	1	SCREW 5*35	5*35		
10	+	900242-05025	1	SCREW 5*25	5*25		
11	+	900500-00005	2	NUT 5	5		
12		301200-29430	1	BAND ASSY			
13	+	900242-05014	1	SCREW 5*14	5*14		
14		C050-000010	1	PIPE, MAIN		Sus. by C050-000011	
15		351012-54330	1	GRIP			
16		610013-12360	1	SHAFT, FLEXIBLE			
17		178001-56730	1	CABLE, THROTTLE			
18		178127-50330	1	TUBE	10*11*140		
19		900502-00006	2	NUT 6 (3N)	3N6		
20		895112-00330	1	SPANNER 8*10			
21		895410-08030	1	WRENCH, W/S. DRIVER		Sus. by X602-000020	
21		X602-000020	1	TOOL, WRENCH	17*19 L200		

5. Handle, Tools



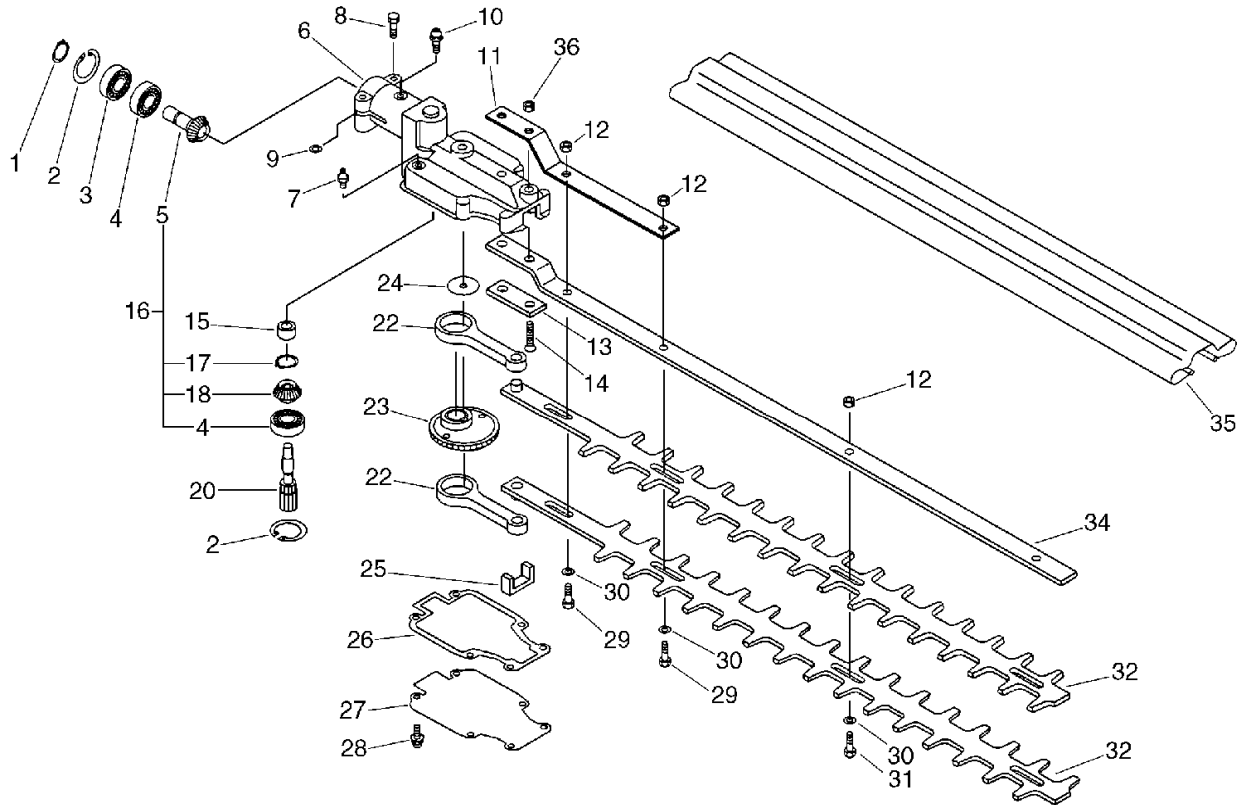
KEY	LV	PART NUMBER	Q'TY	DESCRIPTION	REMARKS	NOTE1	NOTE2
22		895610-00130	1	L-WRENCH (4MM)			
23		895612-03430	1	L-WRENCH (3MM)			
24		898510-39130	1	BAG, TOOL			
25		899580-68730	1	SAFETY GLASSES		Sus. by X690-000030	
25		X690-000030	1	GOGGLE			
29		890617-12361	1	LABEL, CAUTION			
32		890152-04930	1	LABEL, CAUTION			
33		178012-52730	1	LOCKOUT, THROTTLE			
34		178013-52630	1	SPRING, THR. LOCK			
35		178090-52630	1	LOCKOUT, T. CONTROL		Sus. by 178090-52632	
35		178090-52631	1	LOCKOUT, T. CONTROL		Sus. by 178090-52632	
35		178090-52632	1	LOCKOUT, T. CONTROL			
36		890157-39130	1	LABEL, SWITCH			

6. Gear Case, Cutter



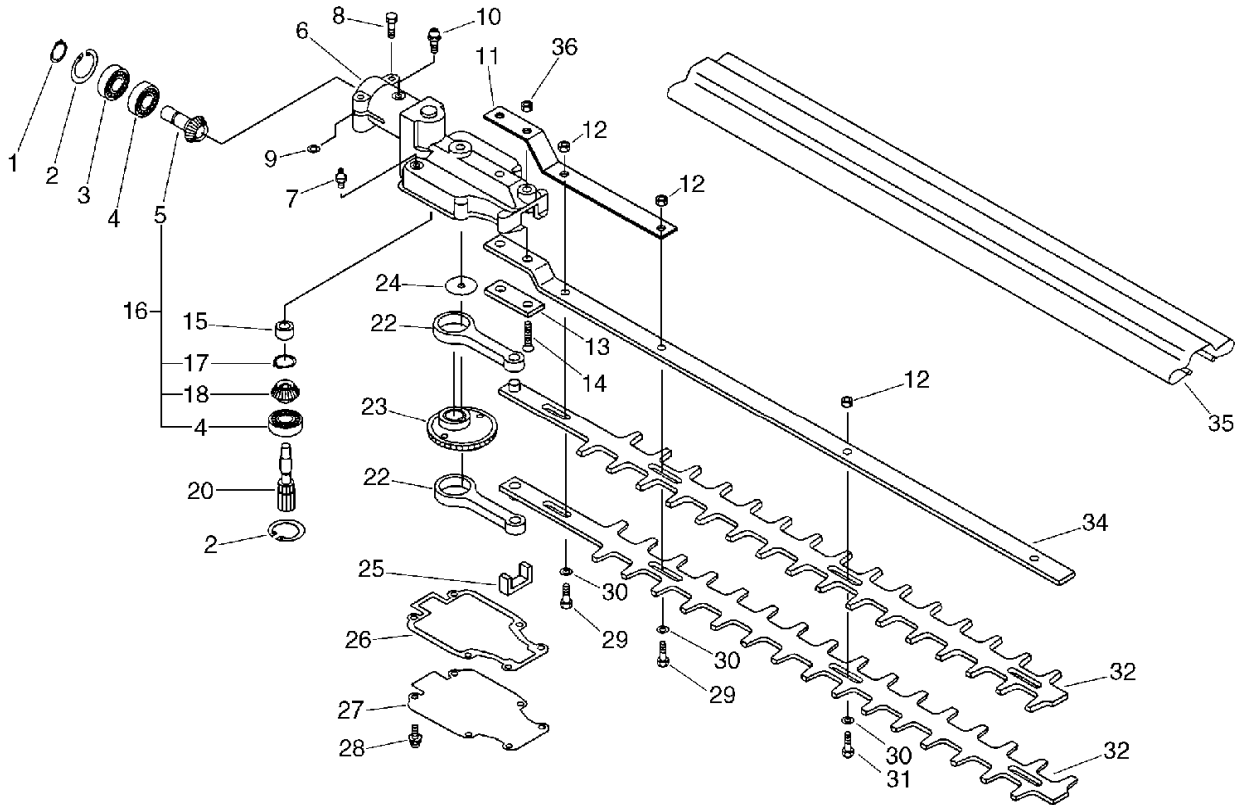
KEY	LV	PART NUMBER	Q'TY	DESCRIPTION	REMARKS	NOTE1	NOTE2
1		900706-00012	1	CIRCLIP 12	WR-12		
2		610335-21460	2	RING, RETAINING			
3		900858-06901	1	BEARING, BALL BB6901Z	BB6901Z		
4		900855-06901	1	BEARING, BALL 6901	6901		
6		P021-000110	1	CASE, GEAR		Sus. by P021-000111	
6		P021-000111	1	CASE, GEAR			
7		880110-54230	1	NIPPLE, GREASE			
8		900162-05028	2	BOLT, H.S. 5*28	5*28 W,SW		
9		610239-04130	2	WASHER, SHIM			
10		900162-05012	1	BOLT, H.S. 5*12	5*12 W,SW		
11		699120-21561	1	PLATE, CUTTER			
12		433022-06460	4	NUT			
13		610440-04560	1	HOLDER, FRAME			
14		900212-06035	2	SCREW 6*35	+SF6*35		
15		604221-21460	1	BUSHING			
16		V060-000000	1	GEAR, SPUR		Sus. by P021-004190	
16		P021-004190	1	GEAR, SPUR			
16		P021-009440	1	SPUR GEAR SET		Next Production	
4	+	900855-06901	1	BEARING, BALL 6901	6901		
5	+	V651-000050	1	GEAR, BEVEL	MG#0406001898		

6. Gear Case, Cutter



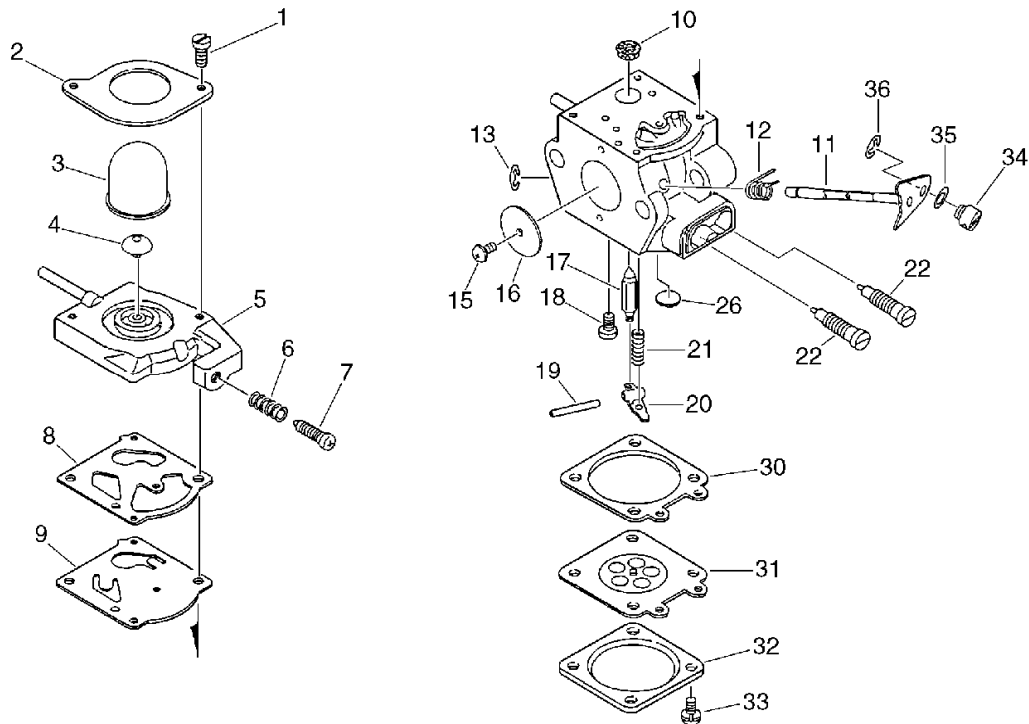
KEY	LV	PART NUMBER	Q'TY	DESCRIPTION	REMARKS	NOTE1	NOTE2
5	+	V651-000180	1	GEAR,BEVEL	MG#07.2310.008	Can be used on the P021-009440 only	
17	+	610335-21560	1	RING, RETAINING			
18	+	V651-000060	1	GEAR,BEVEL	MG#0600.1897		
18	+	V651-000190	1	GEAR,BEVEL	MG#0600.2253	Can be used on the P021-009440 only	
20		610312-21460	1	GEAR			
22		610330-04560	2	ROD, CONNECTING		Sus. by C532-000120	
22		610330-04561	2	ROD, CONNECTING		Sus. by C532-000120	
22		C532-000120	2	ROD, CONNECTING			
23		610312-04560	1	GEAR			
24		610350-04560	1	WASHER			
25		610425-04560	1	SEAL			
26		610414-21460	1	GASKET, GEAR CASE			
27		610411-21460	1	LID, GEAR CASE			
28		900162-04012	6	BOLT, H.S. 4*12	4*12 W,SW		
29		699115-21460	2	BOLT			
30		699118-04560	4	WASHER			
31		699113-06560	2	BOLT 6			
32		X411-000050	2	CUTTER	615L	Sus. by X411-000400	
32		X411-000400	2	CUTTER	L=615		

6. Gear Case, Cutter



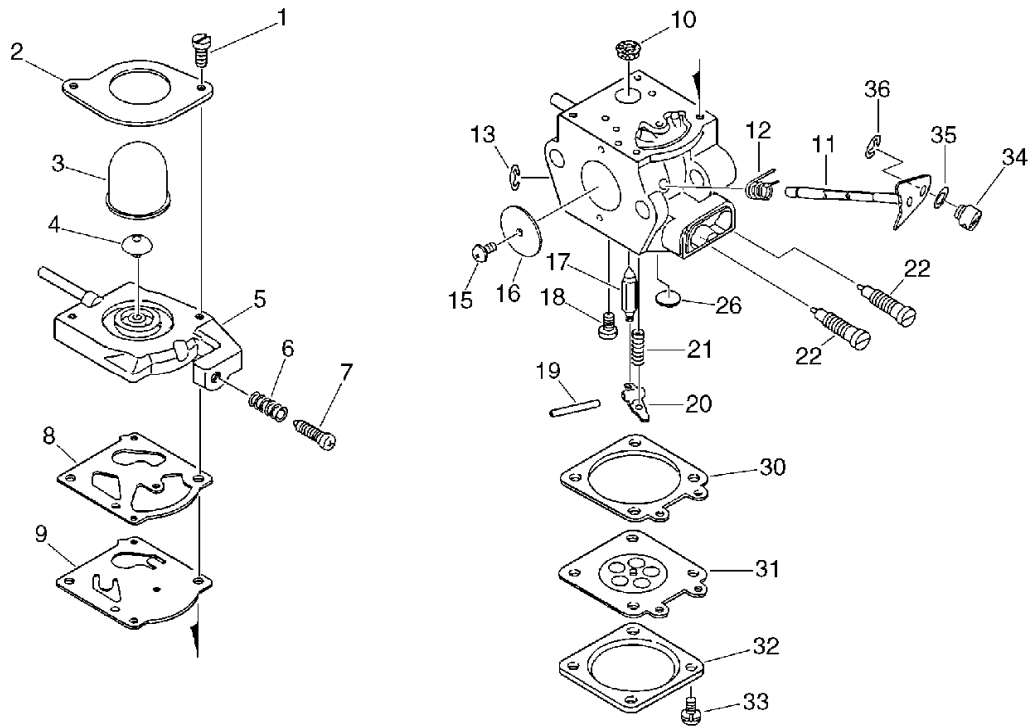
KEY	LV	PART NUMBER	Q'TY	DESCRIPTION	REMARKS	NOTE1	NOTE2
34		X425-000060	1	SUPPORT,CUTTER	L=640 THK=3.2	Sus. by X425-000210	
34		X425-000210	1	SUPPORT,CUTTER	L=653 T=3.2		
35		898523-06560	1	COVER, CUTTER			
36		900500-00006	2	NUT 6	6		

7. Carburetor



KEY	LV	PART NUMBER	Q'TY	DESCRIPTION	REMARKS	NOTE1	NOTE2
		123000-52133	1	CARBURETOR WT-424C	WT-424C		
1	+	123110-43130	2	SCREW			
2	+	123142-09560	1	COVER, PRIMER PUMP			
3	+	123181-09560	1	PUMP, PRIMER			
4	+	123171-35630	1	VALVE, CHECK			
5	+	123124-43230	1	COVER, FUEL PUMP			
6	+	123133-04260	1	SPRING, IDLE ADJUST			
7	+	123134-04260	1	SCREW, IDLE ADJUST			
8	+	123125-09560	1	GASKET, FUEL PUMP			
9	+	123112-09560	1	DIAPHRAGM, FUEL PUMP			
10	+	123126-10631	1	SCREEN, INLET			
11	+	123117-52130	1	SHAFT, THROTTLE			
12	+	123113-52130	1	SPRING, THE.RTN			
13	+	123127-15030	1	RING			
15	+	123114-38830	1	SCREW			
16	+	123116-53130	1	VALVE, THROTTLE			
17	+	123137-19830	1	VALVE, INLET NEEDLE			
18	+	123139-03930	1	SCREW, M. LEVER PIN			
19	+	123138-03930	1	PIN, METERING LEVER			
20	+	123123-38330	1	LEVER, METERING			
21	+	123122-39330	1	SPRING, METER. LEVER			
22	+	123120-52131	2	NEEDLE, HIGH SPEED			
26	+	123146-10631	1	PLUG, WELCH			
30	+	123140-03930	1	GASKET, M. DIAPHRAGM			
31	+	123141-03930	1	DIAPHRAGM, METERING			
32	+	123142-03930	1	COVER, M. DIAPHRAGM			

7. Carburetor



KEY	LV	PART NUMBER	Q'TY	DESCRIPTION	REMARKS	NOTE1	NOTE2
33	+	123130-02960	4	SCREW			
34	+	123172-26030	1	SWIVEL			
35	+	123149-26030	1	WASHER			
36	+	123173-07930	1	CLIP			

Index

Patrs Number	Key No.	Patrs Number	Key No.	Patrs Number	Key No.
100000-09563	1 - 8	130010-05960	3 - 7	177234-42030	2 - 23
100011-09560	1 - 9	130010-42032	3 - 3	177234-42030	2 - 23
100013-11520	1 - 10	130017-42031	3 - 6	178001-56730	5 - 17
100014-11520	1 - 12	130301-51730	3 - 10	178003-52130	5 - 8
100015-04630	1 - 11	130302-52130	3 - 18	178010-52130	5 - 5
100204-52130	1 - 13	130302-52131	3 - 18	178012-52730	5 - 33
100204-52131	1 - 13	130310-51830	3 - 16	178013-52630	5 - 34
100204-52132	1 - 13	130406-52130	3 - 20	178043-42230	5 - 6
100212-42030	1 - 14	130406-52131	3 - 20	178090-52630	5 - 35
100212-42031	1 - 14	131004-08960	4 - 16	178090-52631	5 - 35
100215-03930	1 - 15	131005-46830	4 - 15	178090-52632	5 - 35
100242-42030	1 - 18	131005-46831	4 - 15	178127-50330	5 - 18
101010-44332	1 - 7	131016-55830	4 - 17	178510-51730	3 - 9
101011-08961	1 - 5	131051-52430	4 - 18	178515-05060	3 - 13
101503-52131	1 - 25	131205-07320	4 - 10	178516-00830	3 - 12
101514-48930	1 - 23	131300-56430	4 - 5	178810-05230	3 - 11
123000-52133	3 - 8	131312-39130	4 - 7	301200-29430	5 - 12
123000-52133	7 -	131312-39130	4 - 11	305110-42030	4 - 19
123110-43130	7 - 1	132010-56330	4 - 6	351012-54330	5 - 15
123112-09560	7 - 9	132011-03360	4 - 9	351213-52130	5 - 4
123113-52130	7 - 12	132012-12360	4 - 13	433022-06460	6 - 12
123114-38830	7 - 15	132115-46730	4 - 8	604221-21460	6 - 15
123116-53130	7 - 16	145631-42030	3 - 23	610013-12360	5 - 16
123117-52130	7 - 11	145642-04930	3 - 25	610239-04130	6 - 9
123120-52131	7 - 22	145802-21560	3 - 27	610272-52130	5 - 1
123122-39330	7 - 21	145818-52130	3 - 31	610312-04560	6 - 23
123123-38330	7 - 20	145862-40630	3 - 33	610312-21460	6 - 20
123124-43230	7 - 5	145866-42031	3 - 29	610330-04560	6 - 22
123125-09560	7 - 8	145876-42030	3 - 30	610330-04561	6 - 22
123126-10631	7 - 10	156112-40630	2 - 13	610335-21460	6 - 2
123127-15030	7 - 13	156626-52630	2 - 9	610335-21560	6 - 17
123130-02960	7 - 33	156801-44731	2 - 7	610350-04560	6 - 24
123133-04260	7 - 6	159011-03432	2 - 11	610411-21460	6 - 27
123134-04260	7 - 7	159012-03433	2 - 10	610414-21460	6 - 26
123137-19830	7 - 17	159017-10230	2 - 12	610425-04560	6 - 25
123138-03930	7 - 19	159912-54130	1 - 22	610440-04560	6 - 13
123139-03930	7 - 18	162010-52830	2 - 15	610903-55230	1 - 39
123140-03930	7 - 30	163401-55630	5 - 7	610910-55230	1 - 37
123141-03930	7 - 31	163401-55631	5 - 7	610922-27432	1 - 41
123142-03930	7 - 32	175000-56830	2 - 6	610923-55230	1 - 40
123142-09560	7 - 2	175005-48931	1 - 33	699113-06560	6 - 31
123146-10631	7 - 26	177202-12220	2 - 20	699115-21460	6 - 29
123149-26030	7 - 35	177202-44330	2 - 20	699118-04560	6 - 30
123171-35630	7 - 4	177214-02830	2 - 41	699120-21561	6 - 11
123172-26030	7 - 34	177218-44330	2 - 24	880110-54230	6 - 7
123173-07930	7 - 36	177218-44330	2 - 24	890121-47530	3 - 17
123181-09560	7 - 3	177226-10120	2 - 36	890152-04930	5 - 32
129011-52130	3 - 14	177227-42030	2 - 28	890157-39130	5 - 36
129011-52131	3 - 14	177228-27030	2 - 27	890617-12361	5 - 29

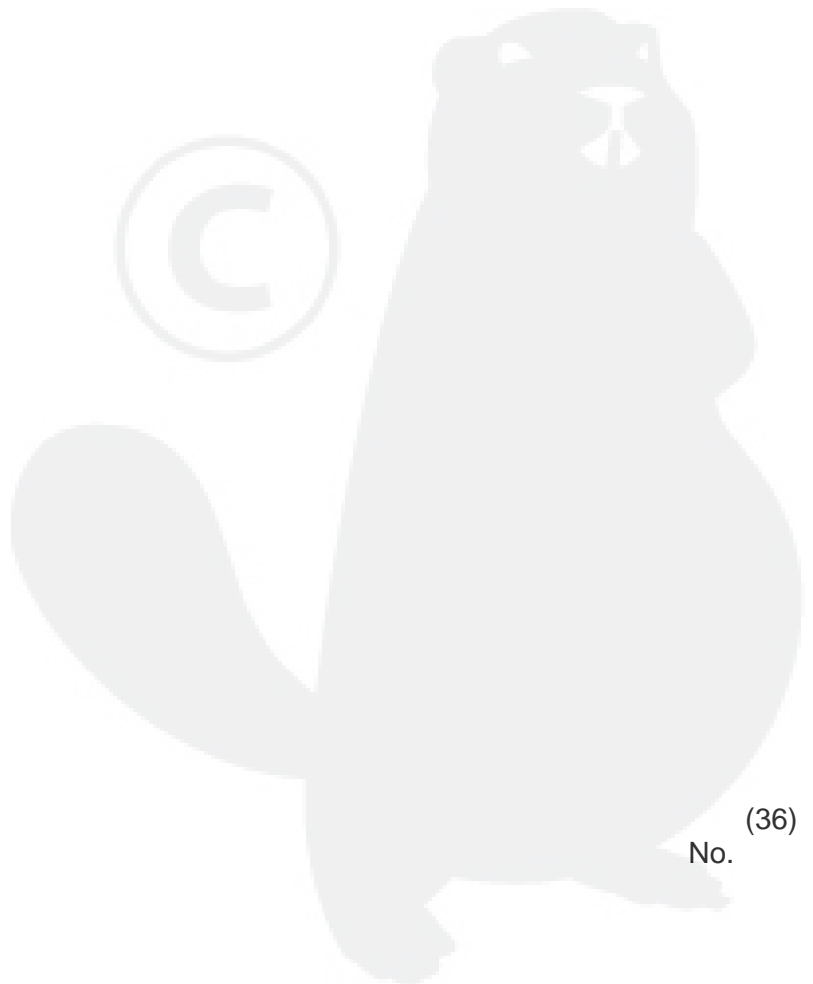
Index

Patrs Number	Key No.	Patrs Number	Key No.	Patrs Number	Key No.
895112-00330	5 - 20	A051-000120	2 - 26	X411-000050	6 - 32
895410-08030	5 - 21	A051-000121	2 - 26	X411-000400	6 - 32
895610-00130	5 - 22	A051-000122	2 - 26	X425-000060	6 - 34
895612-03430	5 - 23	A051-000123	2 - 26	X425-000210	6 - 34
898510-39130	5 - 24	A051-000124	2 - 26	X502-000030	2 - 44
898523-06560	6 - 35	A051-000370	2 - 26	X502-000031	2 - 44
899580-68730	5 - 25	A051-000370	2 - 26	X502-000032	2 - 44
900105-05012	2 - 42	A053-000030	2 - 50	X503-001900	1 - 24
900105-05055	3 - 26	A053-000031	2 - 50	X505-000620	2 - 49
900142-05025	1 - 42	A320-000250	3 - 23	X602-000020	5 - 21
900162-04012	6 - 28	A320-000251	3 - 23	X690-000030	5 - 25
900162-04022	2 - 8	A356-000030	4 - 5		
900162-05012	6 - 10	A503-000000	2 - 29		
900162-05022	1 - 6	A503-000010	2 - 29		
900162-05028	1 - 19	A504-000000	2 - 31		
900162-05028	6 - 8	A504-000001	2 - 31		
900163-04016	1 - 20	A506-000010	2 - 35		
900163-04016	1 - 26	A514-000010	2 - 37		
900163-04016	2 - 45	A520-000000	2 - 40		
900212-06035	6 - 14	A520-000001	2 - 40		
900238-05016	1 - 21	A520-000002	2 - 40		
900238-05016	4 - 12	C050-000010	5 - 14		
900238-05020	3 - 5	C532-000120	6 - 22		
900242-04010	3 - 32	P021-000110	6 - 6		
900242-05014	5 - 13	P021-000111	6 - 6		
900242-05025	5 - 10	P021-002410	2 - 39		
900242-05028	5 - 2	P021-002420	2 - 39		
900242-05035	5 - 9	P021-002421	2 - 39		
900242-05057	3 - 15	P021-002422	2 - 39		
900253-05020	2 - 25	P021-004020	2 - 39		
900500-00005	3 - 4	P021-004190	6 - 16		
900500-00005	5 - 3	P021-008940	3 - 27		
900500-00005	5 - 11	P021-009440	6 - 16		
900500-00006	6 - 36	V060-000000	6 - 16		
900502-00006	5 - 19	V104-000160	3 - 28		
900600-00005	3 - 21	V137-000030	4 - 8		
900603-00005	4 - 14	V253-000060	2 - 42		
900700-00004	2 - 33	V355-000080	2 - 32		
900701-00012	1 - 36	V376-000160	2 - 43		
900702-00028	1 - 34	V450-000130	2 - 38		
900706-00012	6 - 1	V471-001200	4 - 7		
900807-96001	1 - 35	V471-001200	4 - 11		
900855-06901	6 - 4	V553-000010	1 - 4		
900855-06901	6 - 4	V622-000020	1 - 15		
900858-06901	6 - 3	V641-000040	2 - 33		
94035-36201	1 - 16	V651-000050	6 - 5		
A011-000100	1 - 3	V651-000060	6 - 18		
A011-000101	1 - 3	V651-000180	6 - 5		
A051-000060	2 - 26	V651-000190	6 - 18		

YAMABIKO CORPORATION

7-2 SUEHIROCHO 1-CHOME, OHME, TOKYO 198-8760, JAPAN
PHONE: 81-428-32-6118. FAX: 81-428-32-6145.

ECHO®



(36)
No.