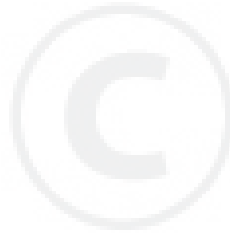




PARTS CATALOG

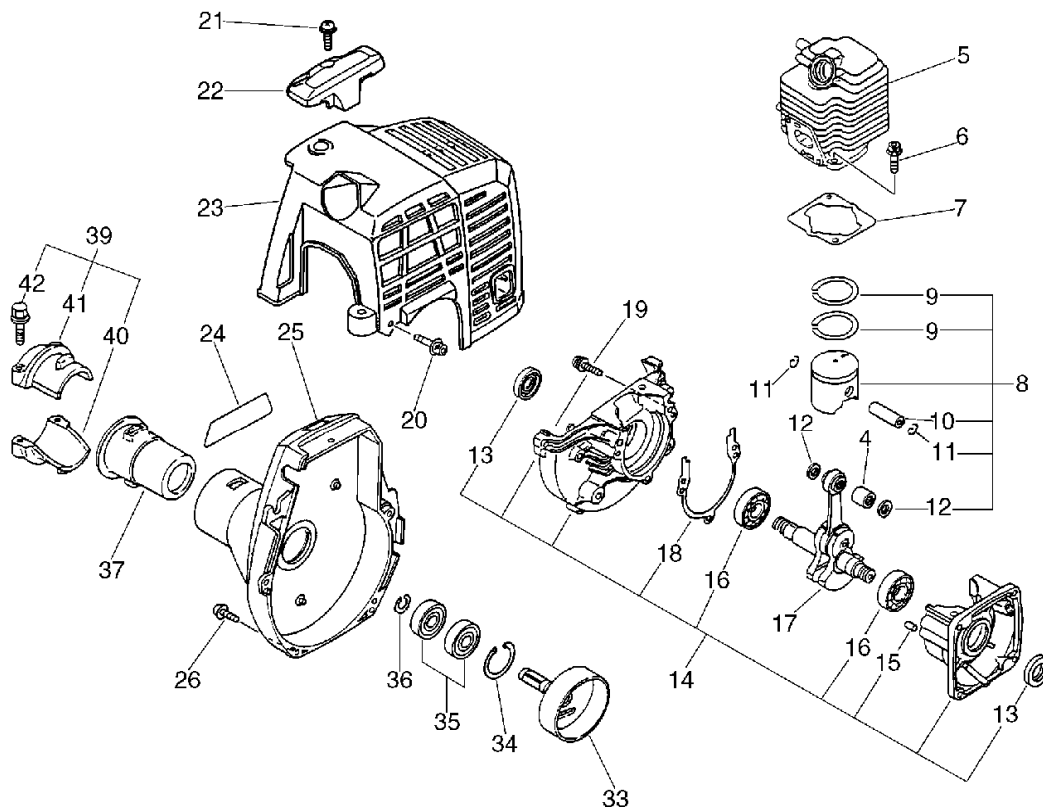
SHAFT HEDGE TRIMMER

SHC-2400(6digits)(35)(36)



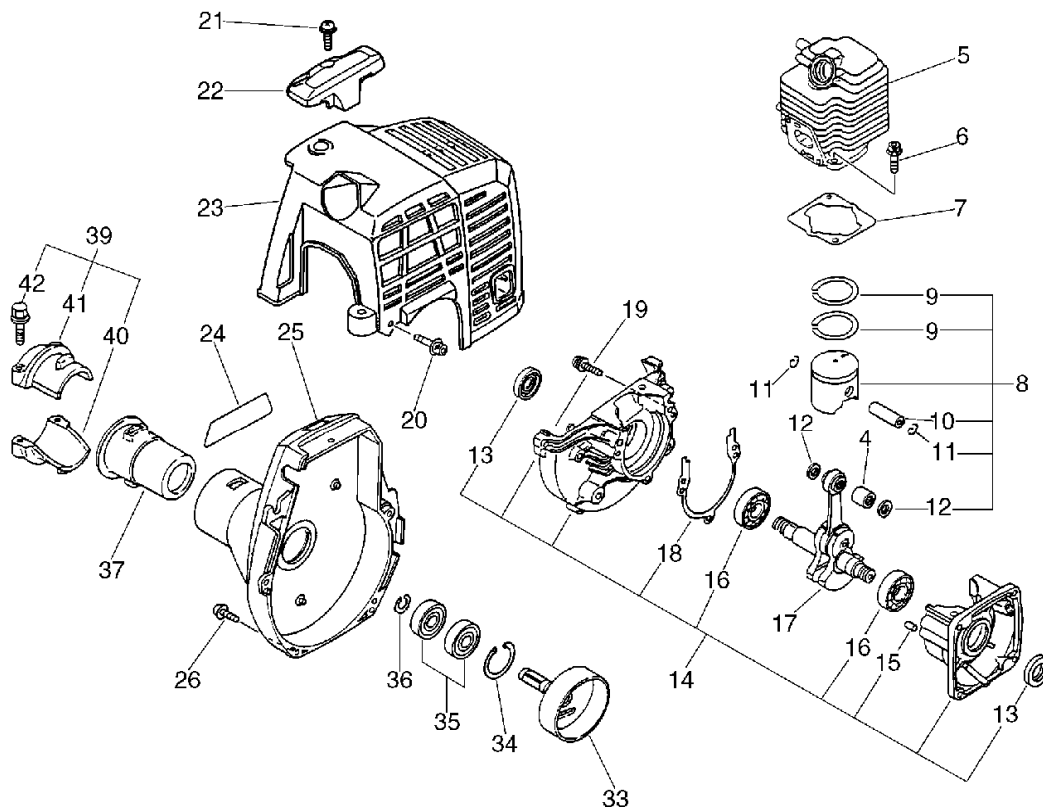
SHC-2400(6digits)(35)(36)

1. Cylinder, Crankcase, Piston, Fan Cover



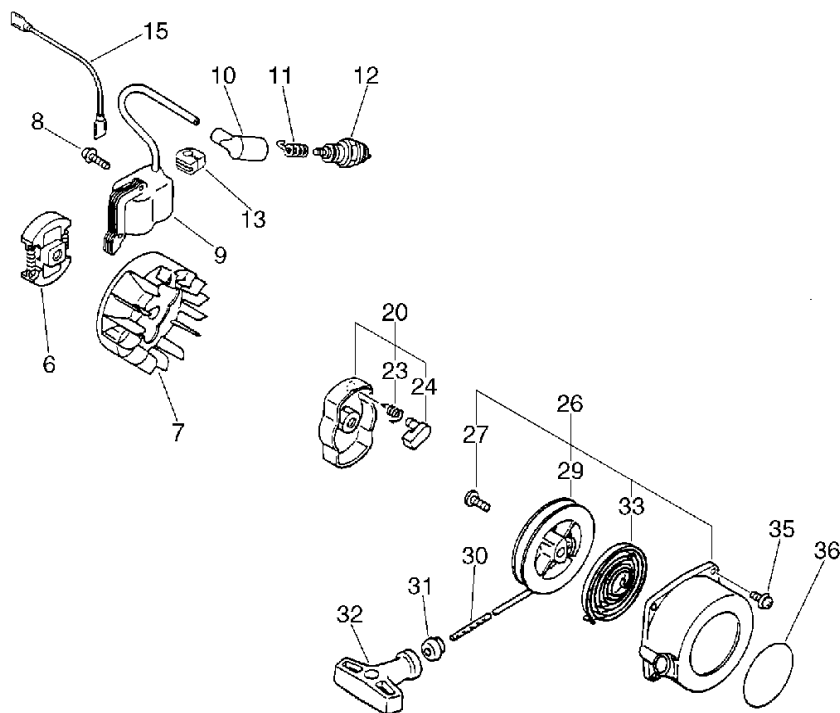
KEY	LV	PART NUMBER	Q'TY	DESCRIPTION	REMARKS	NOTE1	NOTE2
5		101011-08961	1	CYLINDER (CR)			
6		900162-05022	2	BOLT, H.S. 5*22	5*22 W,SW		
7		101010-44332	1	GASKET, CYL. BASE			
8		100000-09563	1	PISTON KIT			
9	+	100011-09560	2	RING, PISTON			
10	+	100013-11520	1	PIN, PISTON			
11	+	100015-04630	2	CIRCLIP, PISTON PIN			
12	+	100014-11520	2	SPACER, PISTON PIN			
14		100204-52130	1	CRANKCASE KIT		Sus. by 100204-52132	
14		100204-52131	1	CRANKCASE KIT		Sus. by 100204-52132	
14		100204-52132	1	CRANKCASE KIT			
13	+	100212-42030	2	OILSEAL	ISCD12*22*4.5	Sus. by 100212-42031	
13	+	100212-42031	2	OILSEAL	ISCD 12*22*4.5		
15	+	100215-03930	2	PIN, DOWEL		Sus. by V622-000020	
15	+	V622-000020	2	PIN, STRAIGHT 4	4*7.8		
16	+	900810-36201	2	BEARING, BALL 6201	6201/C3	Sus. by 94035-36201	
16	+	94035-36201	2	BEARING BALL	6201X3JR2C3		
18	+	100242-42030	1	GASKET, CRANKCASE			
19	+	900162-05028	3	BOLT, H.S. 5*28	5*28 W,SW		

1. Cylinder, Crankcase, Piston, Fan Cover



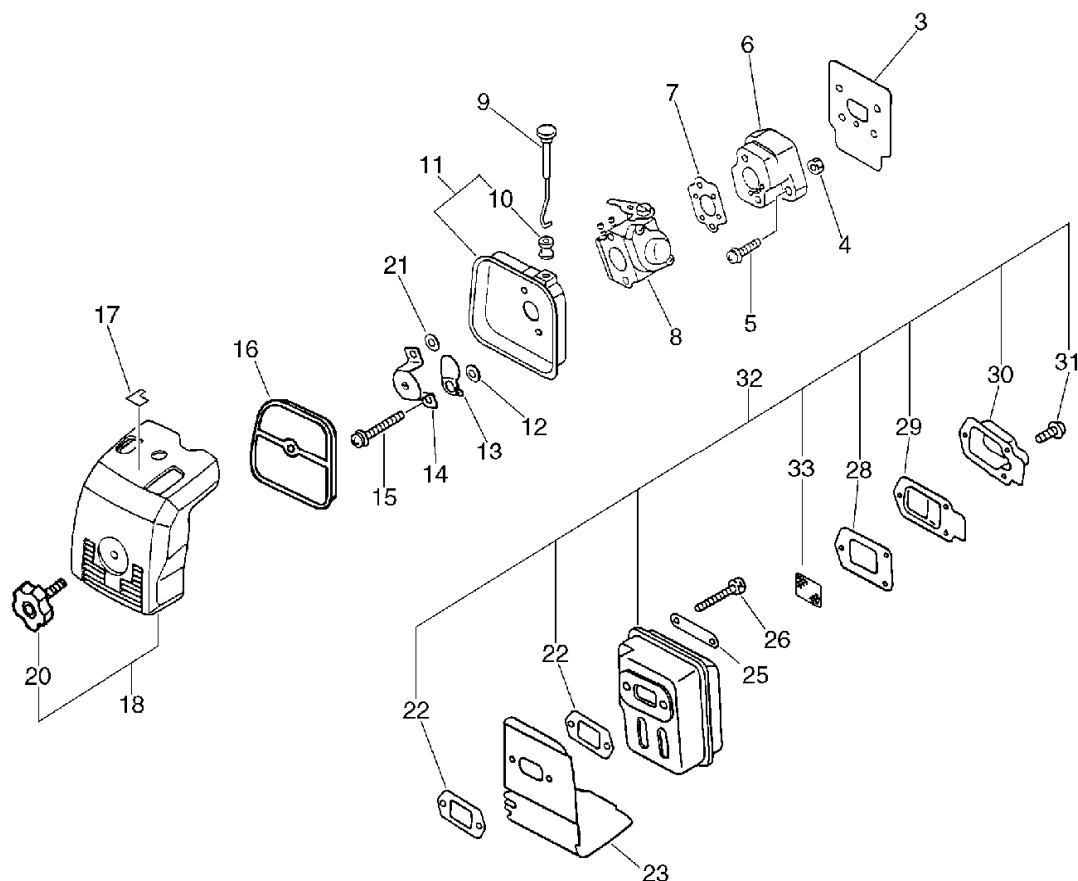
KEY	LV	PART NUMBER	Q'TY	DESCRIPTION	REMARKS	NOTE1	NOTE2
17		100100-44732	1	CRANKSHAFT ASSY		Sus. by A011-000101	
17		A011-000100	1	CRANKSHAFT,ASM		Sus. by A011-000101	
17		A011-000101	1	CRANKSHAFT,ASM			
4	+	100012-51230	1	BEARING, NEEDLE	8*12*10	Sus. by V553-000010	
4	+	V553-000010	1	BEARING,NEEDLE 8	HK0810		
20		900163-04016	2	BOLT HSH			
21		900238-05016	1	SCREW 5*16	5*16		
22		159912-54130	1	GUARD, TOP			
23		101514-48930	1	COVER, CYLINDER			
24		890135-21560	1	LABEL, MODEL			
25		101503-52131	1	COVER ASSY, FAN			
26		900163-04016	4	BOLT HSH			
33		175005-48931	1	DRUM, CLUTCH			
34		900702-00028	1	CIRCLIP 28	CR-28		
35		900807-96001	2	BEARING, BALL 6001	6001		
36		900701-00012	1	CIRCLIP 12	CS-12		
37		610910-55230	1	CUSHION			
39		610903-55230	1	HOLDER KIT			
40	+	610923-55230	1	HOLDER			
41	+	610922-27432	1	HOLDER			
42	+	900142-05025	2	BOLT 5*25 (W/W,SW)	5*25		

2. Starter, Magneto, Clutch



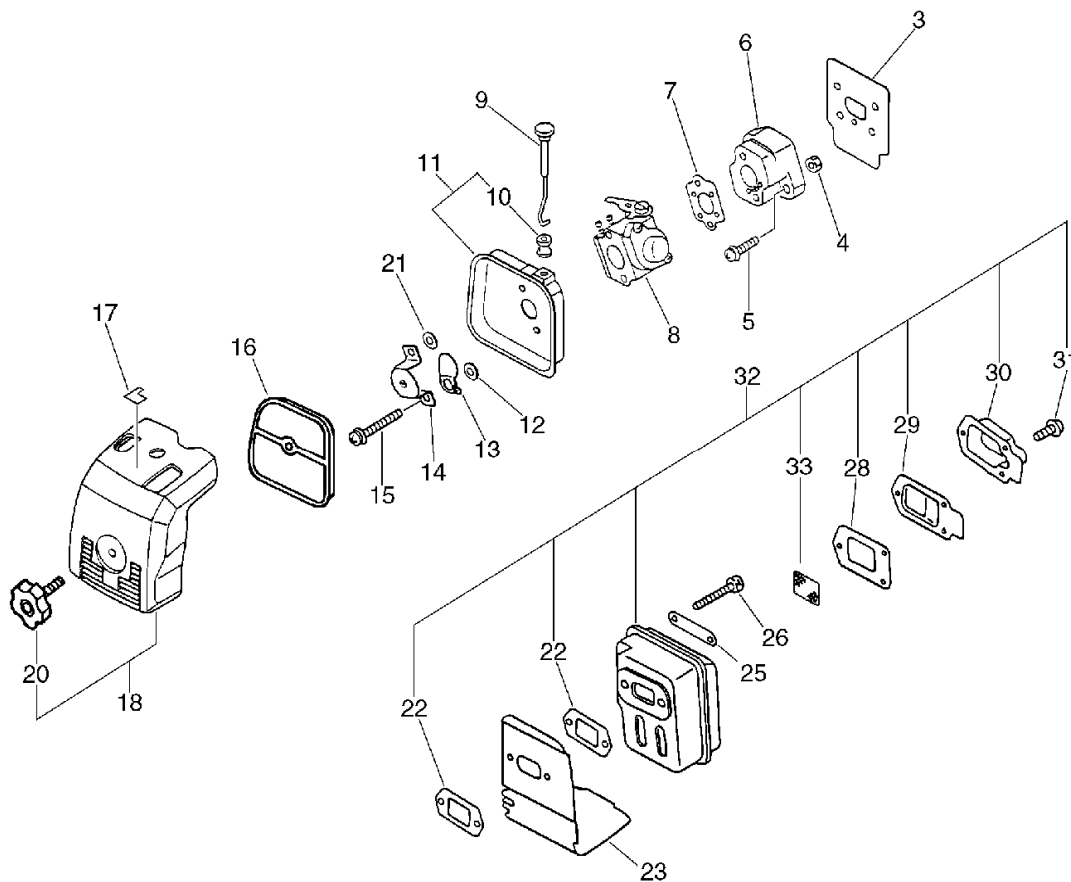
KEY	LV	PART NUMBER	Q'TY	DESCRIPTION	REMARKS	NOTE1	NOTE2
6		175000-56830	1	CLUTCH ASSY		Sus. by 175000-56831	
7		156801-12360	1	ROTOR, MAGNETO		Sus. by 156801-44731	
7		156801-44731	1	FLYWHEEL			
8		900162-04022	2	BOLT, H.S. 4*22	4*22 W,SW		
9		156626-52630	1	COIL, IGNITION			
10		159012-03433	1	CAP, SPARK PLUG			
11		159011-03432	1	COIL, SPARK PLUG			
12		159017-10230	1	PLUG, SPARK (RCJ-7Y)	RCJ-7Y		
13		156112-40630	1	GROMMET			
15		162010-52830	1	LEAD, GROUND			
20		177202-44330	1	PAWL ASSY, STARTER		Sus. by 177202-44331	
20		177202-44331	1	PAWL ASM., STARTER			
23	+	177234-42030	1	SPRING, RETURN			
24	+	177218-44330	1	PAWL, STARTER	BLACK		
26		177200-42033	1	STARTER ASSY			
27	+	177236-44330	1	SCREW			
29	+	177215-44430	1	DRUM, STARTER			
30	+	177226-10120	1	ROPE, STARTER	3.0*1000		
31	+	177227-42030	1	GUIDE, ROPE			
32	+	177228-06530	1	GRIP, STARTER			
33	+	177220-42030	1	SPRING, REWIND			
35		900163-04016	2	BOLT HSH			
36		890118-49130	1	LABEL, ECHO			

3. Air Cleaner, Muffler



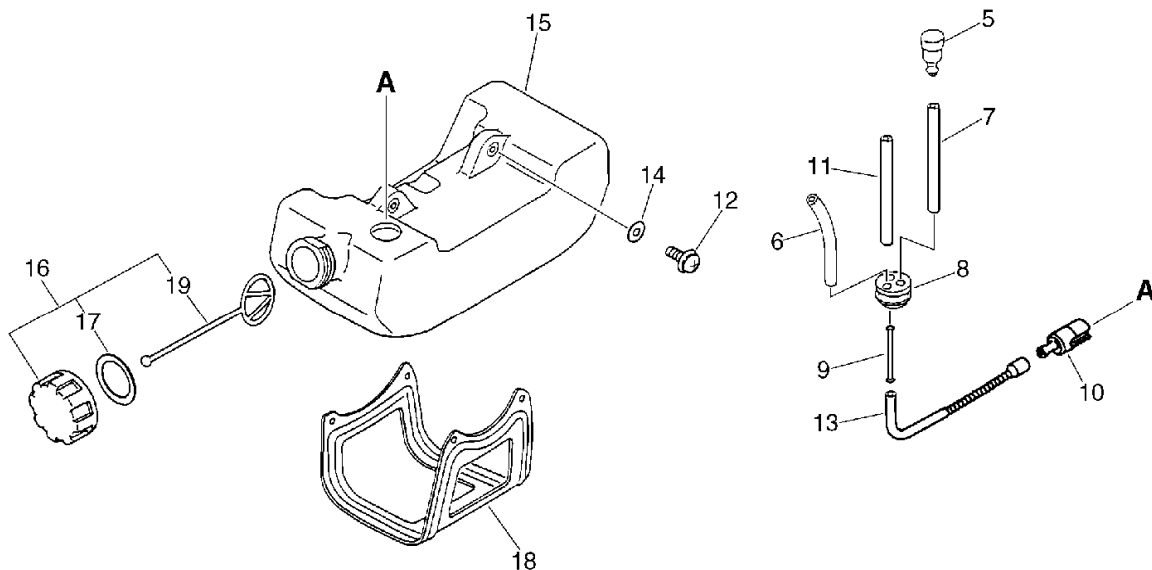
KEY	LV	PART NUMBER	Q'TY	DESCRIPTION	REMARKS	NOTE1	NOTE2
3		130010-42032	1	GASKET,INTAKE			
4		900500-00005	2	NUT 5	5		
5		900238-05020	2	SCREW 5*20	5*20		
6		130017-42031	1	INSULATOR, INTAKE			
7		130010-05960	1	GASKET, INTAKE			
8		123000-52132	1	CARBURETOR ASSY	WT424B	Sus. by 123000-52133	
8		123000-52133	1	CARBURETOR WT-424C	WT-424C		
9		178510-51730	1	ROD, CHOKE			
11		130301-51730	1	CASE, AIR CLEANER			
10	+	178810-05230	1	GROMMET			
12		178516-00830	1	SPACER	5.2*8*0.8T		
13		178515-05060	1	SHUTTER, CHOKE			
14		129011-52130	1	PLATE		Sus. by 129011-52131	
14		129011-52131	1	PLATE			
15		900242-05057	2	SCREW 5*57	5*57		
16		130310-51830	1	FILTER, AIR			
17		890121-47530	1	LABEL, CHOKE			
18		130302-52130	1	COVER ASSY, AIR CLN.		Sus. by 130302-52131	
18		130302-52131	1	COVER ASY, A.CLEANER			
20	+	130406-52130	1	KNOB, FASTENER		Sus. by 130406-52131	
20	+	130406-52131	1	KNOB, FASTENER			
21		900600-00005	1	WASHER 5	5		

3. Air Cleaner, Muffler



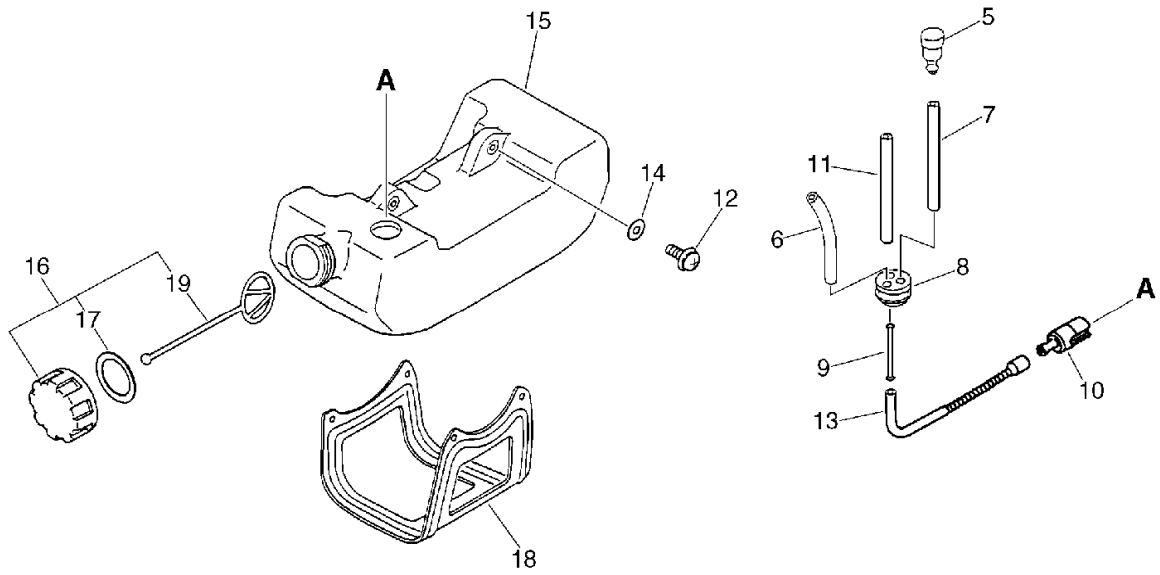
KEY	LV	PART NUMBER	Q'TY	DESCRIPTION	REMARKS	NOTE1	NOTE2
23		145631-42030	1	COVER, MUFFLER		Sus. by A320-000251	
23		A320-000250	1	COVER,MUFFLER		Sus. by A320-000251	
23		A320-000251	1	COVER,MUFFLER			
25		145642-04930	1	WASHER			
26		900105-05055	2	BOLT, H.S. 5*55	5*55		
32		145802-21560	1	MUFFLER ASSY			
32		P021-008940	1	MUFFLER ASY		Sr/Nr 36001001 and after	
22	+	145510-42031	2	GASKET, MUFFLER		Sus. by V104-000160	
22	+	V104-000160	2	GASKET,EXHAUST			
28	+	145866-42031	1	GASKET, MUFFLER LID			
29	+	145876-42030	1	LID, MUFFLER (B)			
30	+	145818-52130	1	GUIDE, EXHAUST			
31	+	900242-04010	3	SCREW 4*10	4*10		
33	+	145862-40630	1	SCREEN, MUFFLER		Sr/Nr 36001001 and after	

4. Fuel Tank



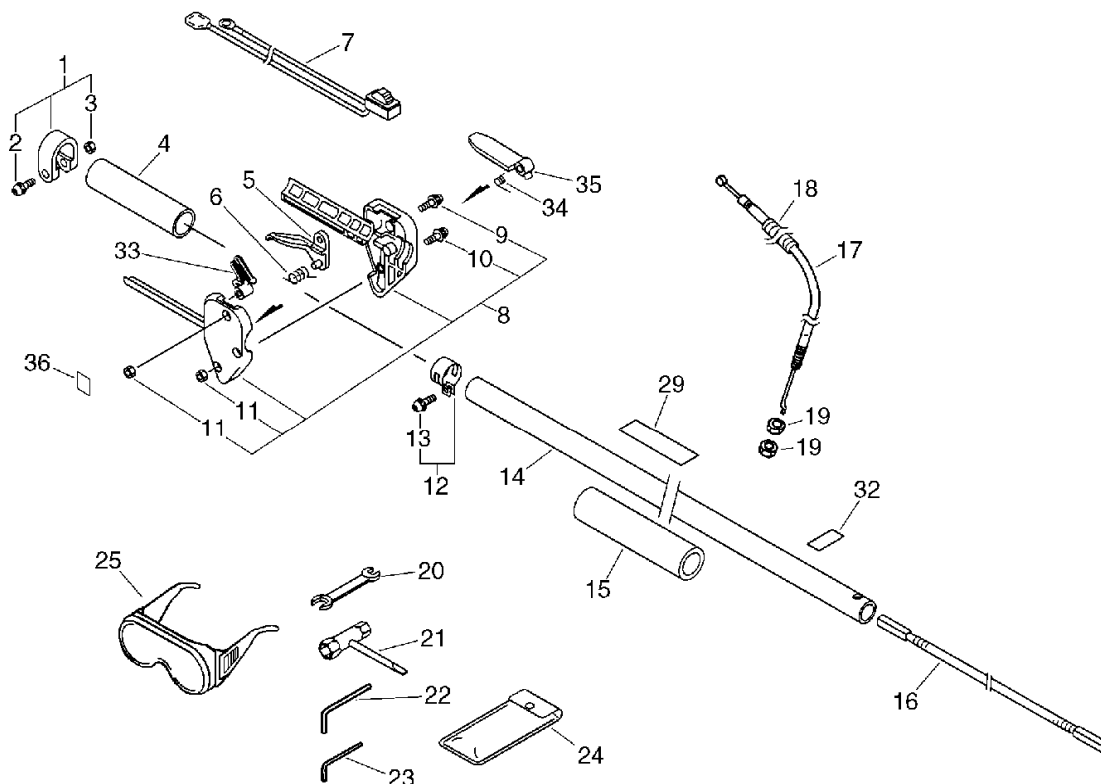
KEY	LV	PART NUMBER	Q'TY	DESCRIPTION	REMARKS	NOTE1	NOTE2
5		131300-56430	1	VALVE, CHECK		Sus. by A356-000030	
5		A356-000030	1	VALVE,CHECK			
6		132010-56330	1	PIPE 3*6*90	3*6*90 YL		
7		131312-39130	1	PIPE	3*5*70(+3)NBR	Sus. by V471-001200	
7		V471-001200	1	PIPE	3*5*70 NBR		
8		132115-46730	1	GROMMET, FUEL		Sus. by V137-000030	
8		V137-000030	1	GROMMET,FUEL			
9		132011-03360	1	CONNECTOR, FUEL PIPE			
10		131205-07320	1	STRAINER, FUEL			
11		131312-44330	1	PIPE, 3*5*70L	3*5*70L NBR	Sus. by V471-001200	
11		131312-39130	1	PIPE	3*5*70(+3)NBR	Sus. by V471-001200	
11		V471-001200	1	PIPE	3*5*70 NBR		
12		900238-05016	2	SCREW 5*16	5*16		
13		132012-12360	1	PIPE, FUEL		Sus. by 132012-12361	
14		900603-00005	2	WASHER 5	5.5*12*0.8		
15		131005-46830	1	TANK, FUEL		Sus. by 131005-46831	
15		131005-46831	1	TANK, FUEL			
16		131004-08960	1	CAP ASSY, FUEL			
17	+	131016-55830	1	GASKET, FUEL CAP			

4. Fuel Tank



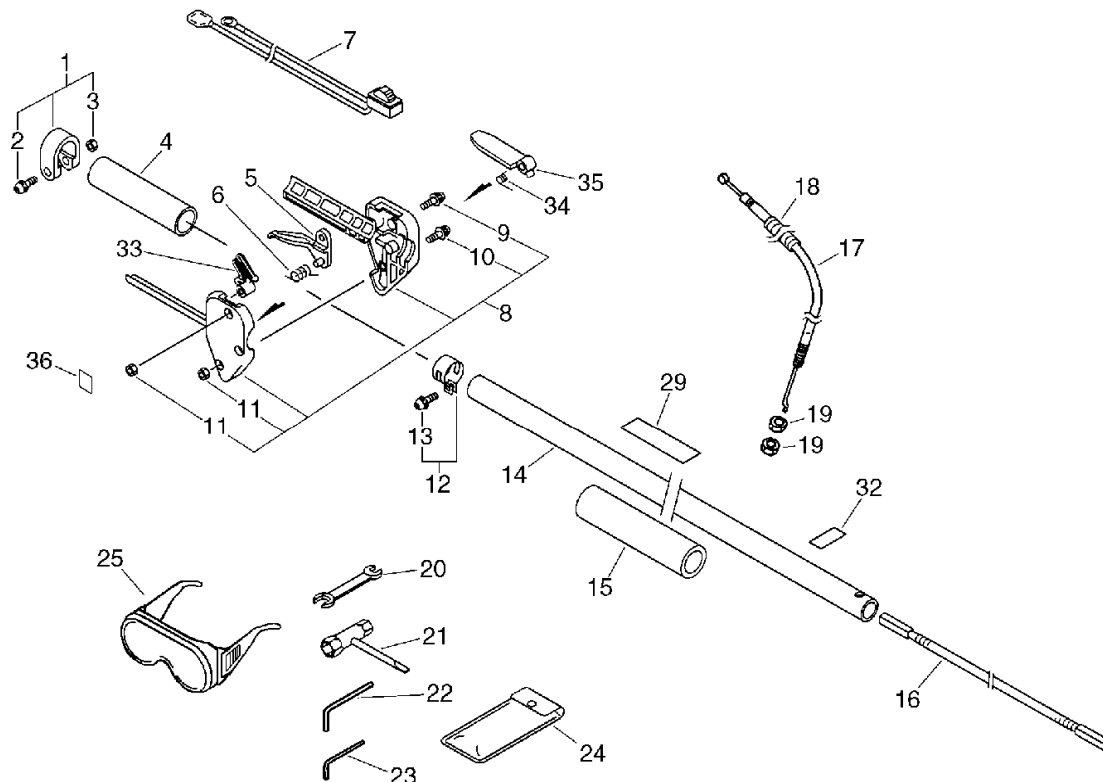
KEY	LV	PART NUMBER	Q'TY	DESCRIPTION	REMARKS	NOTE1	NOTE2
19	+	131051-52430	1	CONNECTOR, CAP	80L		
18		305110-42030	1	STAND (BL)			

5. Handle, Tools



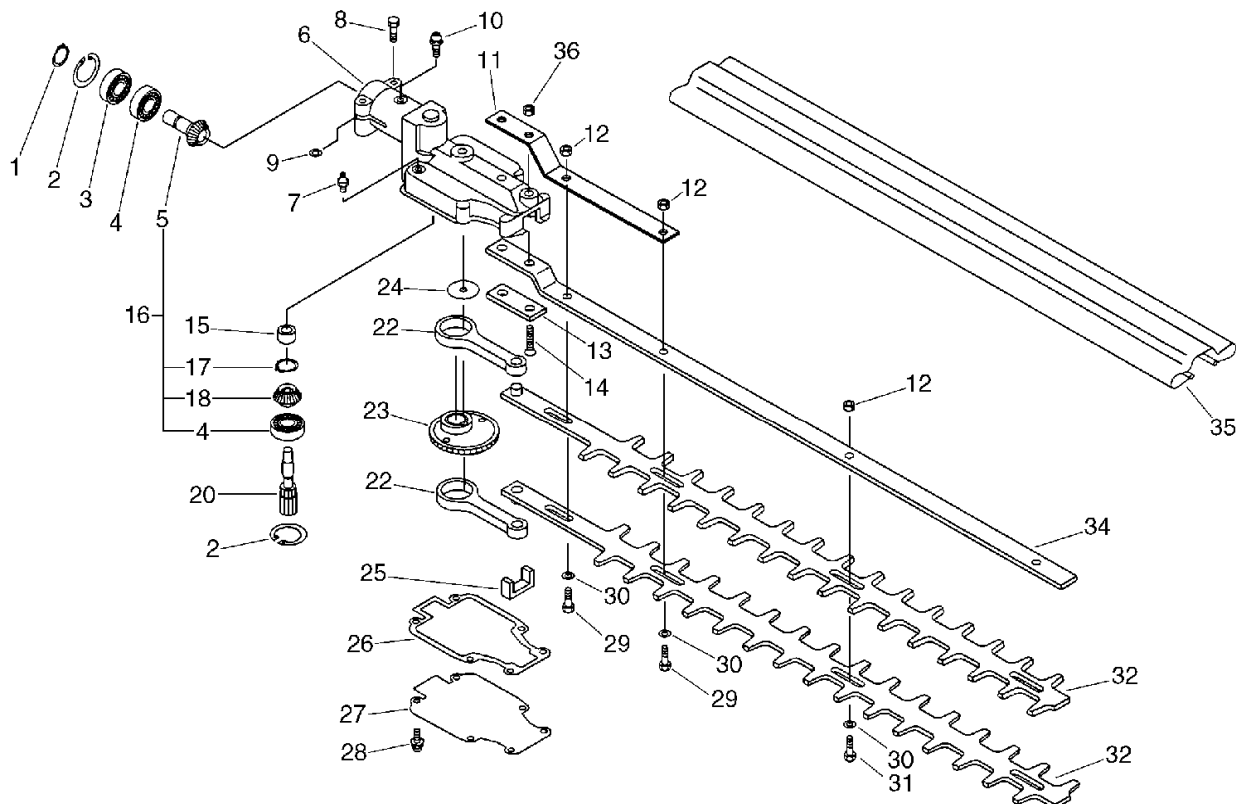
KEY	LV	PART NUMBER	Q'TY	DESCRIPTION	REMARKS	NOTE1	NOTE2
1		610272-52130	1	BAND			
2	+	900242-05028	1	SCREW 5*28	5*28		
3	+	900500-00005	1	NUT 5	5		
4		351213-52130	1	GRIP			
5		178010-52130	1	CONTROL, THROTTLE			
6		178043-42230	1	SPRING, THR. RETURN			
7		163401-55630	1	SWITCH, IGNITION		Sus. by 163401-55631	
7		163401-55631	1	SWITCH, IGNITION			
8		178003-52130	1	BRACKET SET, THROTTLE			
9	+	900242-05035	1	SCREW 5*35	5*35		
10	+	900242-05025	1	SCREW 5*25	5*25		
11	+	900500-00005	2	NUT 5	5		
12		301200-29430	1	BAND ASSY			
13	+	900242-05014	1	SCREW 5*14	5*14		
14		610206-12360	1	HOUSING ASY, D. SHFT		Sr/Nr 003187 and before	
14		C050-000010	1	PIPE, MAIN		Sus. by C050-000011	
15		351012-54330	1	GRIP			
16		610013-12360	1	SHAFT, FLEXIBLE			
17		178001-56730	1	CABLE, THROTTLE			
18		178127-50330	1	TUBE	10*11*140		
19		900502-00006	2	NUT 6 (3N)	3N6		
20		895112-00330	1	SPANNER 8*10			

5. Handle, Tools



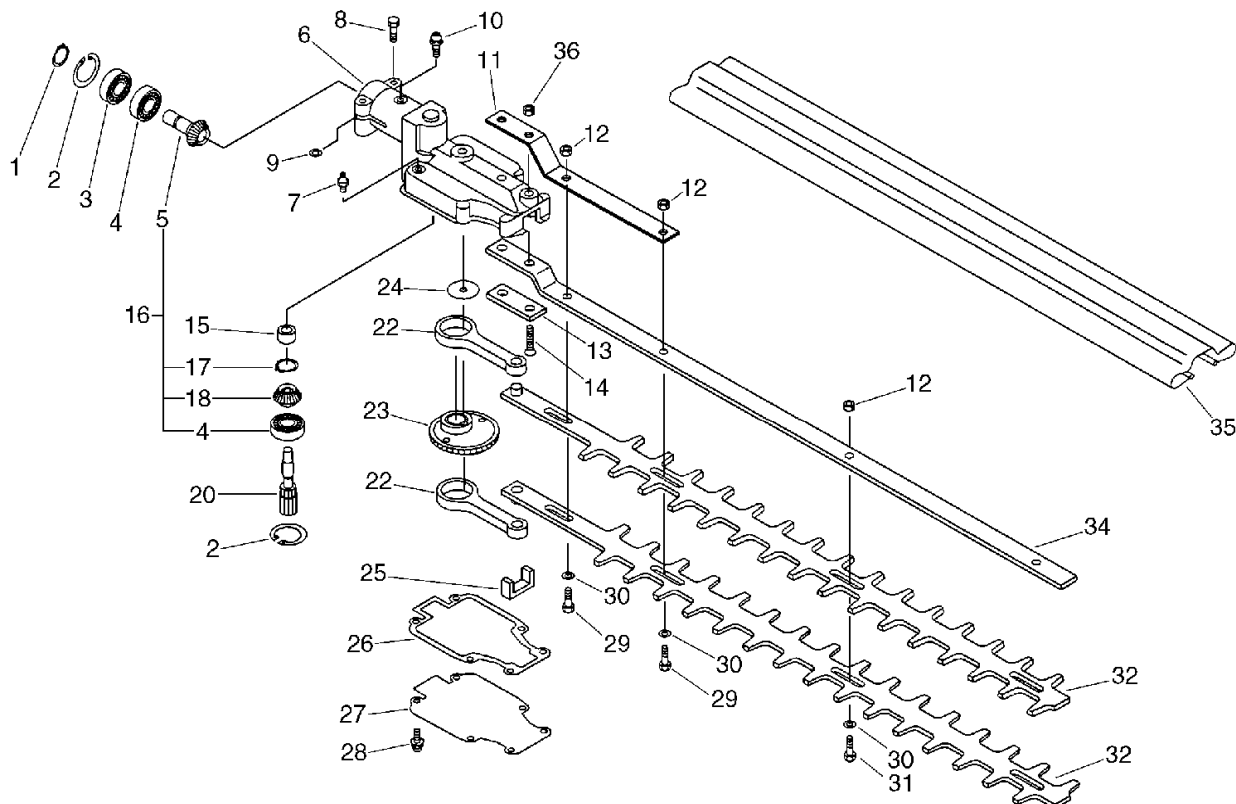
KEY	LV	PART NUMBER	Q'TY	DESCRIPTION	REMARKS	NOTE1	NOTE2
21		895410-08030	1	WRENCH, W/S. DRIVER		Sus. by X602-000020	
21		X602-000020	1	TOOL, WRENCH	17*19 L200		
22		895610-00130	1	L-WRENCH (4MM)			
23		895612-03430	1	L-WRENCH (3MM)			
24		898510-39130	1	BAG, TOOL			
25		899580-68730	1	SAFETY GLASSES		Sus. by X690-000030	
25		X690-000030	1	GOGGLE			
29		890617-12360	1	LABEL, CAUTION		Sus. by 890617-12361	
29		890617-12361	1	LABEL, CAUTION			
32		890152-04930	1	LABEL, CAUTION			
33		178012-52730	1	LOCKOUT, THROTTLE			
34		178013-52630	1	SPRING, THR. LOCK			
35		178090-52630	1	LOCKOUT, T. CONTROL		Sus. by 178090-52632	
35		178090-52631	1	LOCKOUT, T. CONTROL		Sus. by 178090-52632	
35		178090-52632	1	LOCKOUT, T. CONTROL			
36		890157-39130	1	LABEL, SWITCH			

6. Gear Case, Cutter



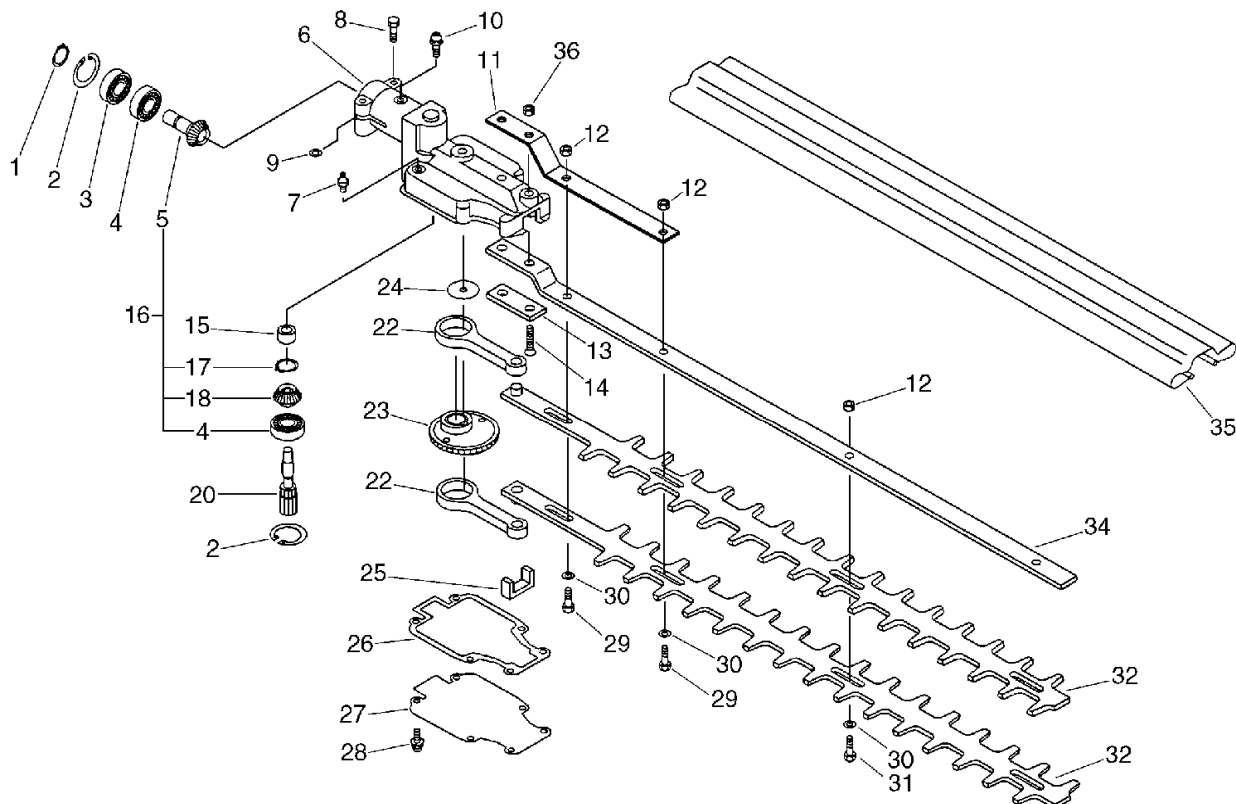
KEY	LV	PART NUMBER	Q'TY	DESCRIPTION	REMARKS	NOTE1	NOTE2
1		900706-00012	1	CIRCLIP 12	WR-12		
2		610335-21460	2	RING, RETAINING			
3		900858-06901	1	BEARING, BALL BB6901Z	BB6901Z		
4		900855-06901	1	BEARING, BALL 6901	6901		
5		610361-21460	1	GEAR		Sr/Nr 003107 and before	
6		610410-21560	1	CASE, GEAR		Sus. by P021-000111	
6		P021-000110	1	CASE, GEAR		Sus. by P021-000111	
6		P021-000111	1	CASE, GEAR			
7		880110-54230	1	NIPPLE, GREASE			
8		900162-05028	2	BOLT, H.S. 5*28	5*28 W,SW		
9		610239-04130	2	WASHER, SHIM			
10		900162-05012	1	BOLT, H.S. 5*12	5*12 W,SW		
11		699120-21561	1	PLATE, CUTTER			
12		433022-06460	4	NUT			
13		610440-04560	1	HOLDER, FRAME			
14		900212-06035	2	SCREW 6*35	+SF6*35		
15		604221-21460	1	BUSHING			
16		610308-21460	1	GEAR		Sus. by P021-009440	
16		V060-000000	1	GEAR, SPUR		Sus. by P021-009440	
16		P021-004190	1	GEAR, SPUR		Sus. by P021-009440	

6. Gear Case, Cutter



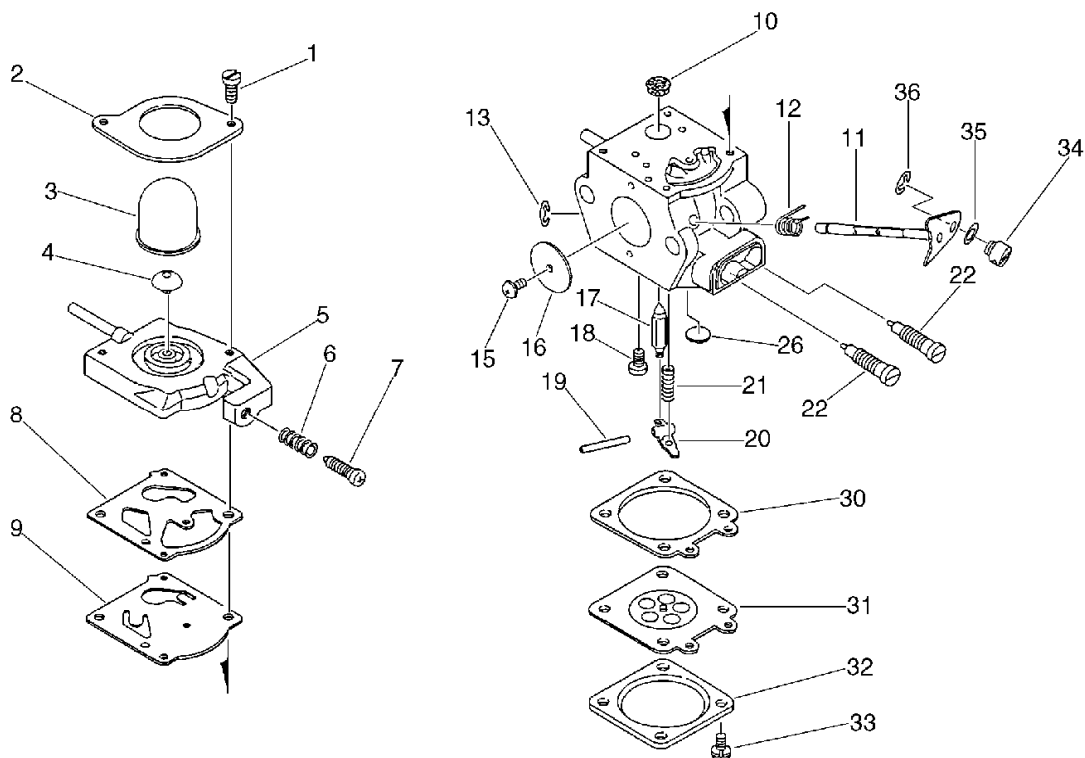
KEY	LV	PART NUMBER	Q'TY	DESCRIPTION	REMARKS	NOTE1	NOTE2
16		P021-009440	1	SPUR GEAR SET			
4	+	900855-06901	1	BEARING, BALL 6901	6901		
5	+	V651-000050	1	GEAR,BEVEL	MG#0406001898	Sr/Nr 003108 to 36001132	
5	+	V651-000180	1	GEAR,BEVEL	MG#07.2310.008	Sr/Nr 36001133 and after	
17	+	610335-21560	1	RING, RETAINING			
18	+	610361-21560	1	GEAR		Sr/Nr 003107 and before	
18	+	V651-000060	1	GEAR,BEVEL	MG#0600.1897	Sr/Nr 003108 to 36001132	
18	+	V651-000190	1	GEAR,BEVEL	MG#0600.2253	Sr/Nr 36001133 and after	
20	+	610312-21460	1	GEAR		Sr/Nr 003107 and before	
20		610312-21460	1	GEAR		Sr/Nr 003108 and after	
22		610330-04560	2	ROD, CONNECTING		Sus. by C532-000120	
22		610330-04561	2	ROD, CONNECTING		Sus. by C532-000120	
22		C532-000120	2	ROD, CONNECTING			
23		610312-04560	1	GEAR			
24		610350-04560	1	WASHER			
25		610425-04560	1	SEAL			
26		610414-21460	1	GASKET, GEAR CASE			

6. Gear Case, Cutter



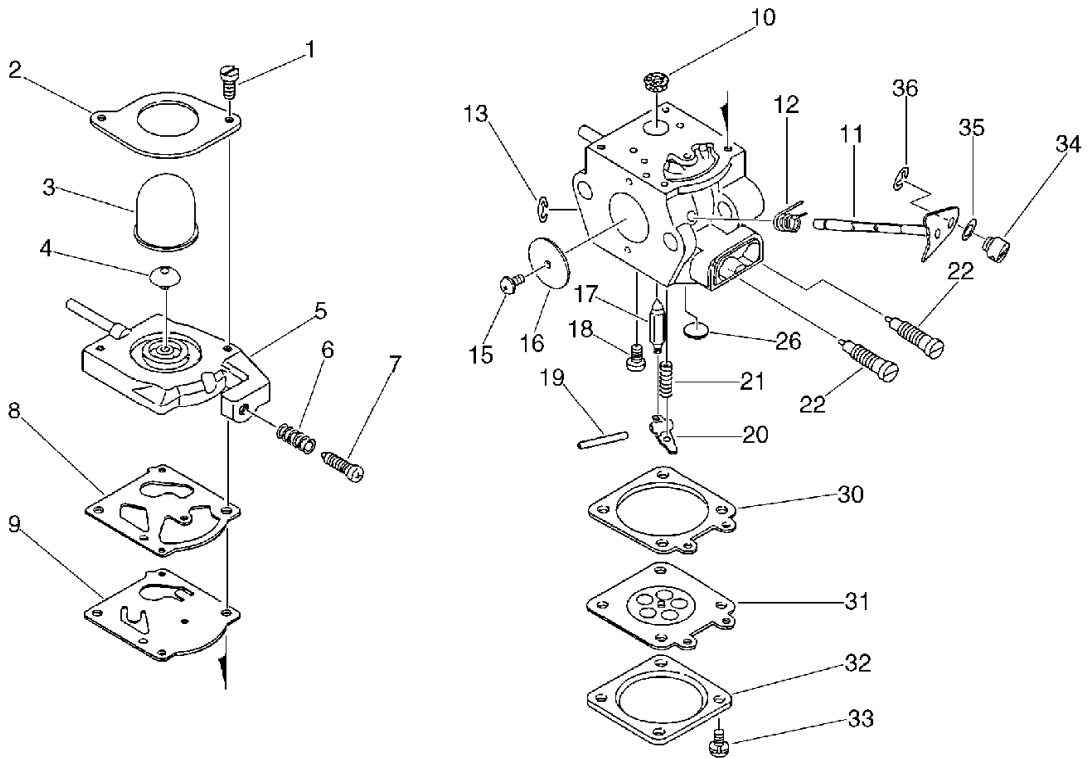
KEY	LV	PART NUMBER	Q'TY	DESCRIPTION	REMARKS	NOTE1	NOTE2
27		610411-21460	1	LID, GEAR CASE			
28		900162-04012	6	BOLT, H.S. 4*12	4*12 W,SW		
29		699115-21460	2	BOLT			
30		699118-04560	4	WASHER			
31		699113-06560	2	BOLT 6			
32		697010-06960	2	CUTTER		Sus. by X411-000400	
32		X411-000050	2	CUTTER	615L	Sus. by X411-000400	
32		X411-000400	2	CUTTER	L=615		
34		699110-07260	1	BAR, FRAME		Sus. by X425-000210	
34		X425-000060	1	SUPPORT,CUTTER	L=640 THK=3.2	Sus. by X425-000210	
34		X425-000210	1	SUPPORT,CUTTER	L=653 T=3.2		
35		898523-06560	1	COVER, CUTTER			
36		900500-00006	2	NUT 6	6		

7. Carburetor



KEY	LV	PART NUMBER	Q'TY	DESCRIPTION	REMARKS	NOTE1	NOTE2
		123000-52132	1	CARBURETOR ASSY	WT424B	Sus. by 123000-52133	
		123000-52133	1	CARBURETOR WT-424C	WT-424C		
1	+	123110-43130	2	SCREW			
2	+	123142-09560	1	COVER, PRIMER PUMP			
3	+	123181-09560	1	PUMP, PRIMER			
4	+	123171-35630	1	VALVE, CHECK			
5	+	123124-43230	1	COVER, FUEL PUMP			
6	+	123133-04260	1	SPRING, IDLE ADJUST			
7	+	123134-04260	1	SCREW, IDLE ADJUST			
8	+	123125-09560	1	GASKET, FUEL PUMP			
9	+	123112-09560	1	DIAPHRAGM, FUEL PUMP			
10	+	123126-10631	1	SCREEN, INLET			
11	+	123117-52130	1	SHAFT, THROTTLE			
12	+	123113-52130	1	SPRING, THE.RTN			
13	+	123127-15030	1	RING			
15	+	123114-38830	1	SCREW			
16	+	123116-53130	1	VALVE, THROTTLE			
17	+	123137-19830	1	VALVE, INLET NEEDLE			
18	+	123139-03930	1	SCREW, M. LEVER PIN			
19	+	123138-03930	1	PIN, METERING LEVER			
20	+	123123-38330	1	LEVER, METERING			
21	+	123122-39330	1	SPRING, METER. LEVER			
22	+	123120-52131	2	NEEDLE, HIGH SPEED			
26	+	123146-10631	1	PLUG, WELCH			
30	+	123140-03930	1	GASKET, M. DIAPHRAGM			

7. Carburetor



KEY	LV	PART NUMBER	Q'TY	DESCRIPTION	REMARKS	NOTE1	NOTE2
31	+	123141-03930	1	DIAPHRAGM, METERING			
32	+	123142-03930	1	COVER, M. DIAPHRAGM			
33	+	123130-02960	4	SCREW			
34	+	123172-26030	1	SWIVEL			
35	+	123149-26030	1	WASHER			
36	+	123173-07930	1	CLIP			

8. Repair Kit

KEY	LV	PART NUMBER	Q'TY	DESCRIPTION	REMARKS	NOTE1	NOTE2
		889000-21460	1	GASKET KIT E.I			
1-7	+	101010-44332	1	GASKET, CYL. BASE			
1-18	+	100242-42030	1	GASKET, CRANKCASE			
3-3	+	130010-42032	1	GASKET, INTAKE			
3-7	+	130010-05960	1	GASKET, INTAKE			
3-22	+	145510-42031	1	GASKET, MUFFLER		Sus. by V104-000160	
3-22	+	V104-000160	1	GASKET, EXHAUST			
3-28	+	145866-42031	1	GASKET, MUFFLER LID			
6-26	+	610414-21460	1	GASKET, GEAR CASE			
	+	130016-42031	1	GASKET, INTAKE			

Index

Patrs Number	Key No.	Patrs Number	Key No.	Patrs Number	Key No.
100000-09563	1 - 8	123171-35630	7 - 4	159912-54130	1 - 22
100011-09560	1 - 9	123172-26030	7 - 34	162010-52830	2 - 15
100012-51230	1 - 4	123173-07930	7 - 36	163401-55630	5 - 7
100013-11520	1 - 10	123181-09560	7 - 3	163401-55631	5 - 7
100014-11520	1 - 12	129011-52130	3 - 14	175000-56830	2 - 6
100015-04630	1 - 11	129011-52131	3 - 14	175005-48931	1 - 33
100100-44732	1 - 17	130010-05960	3 - 7	177200-42033	2 - 26
100204-52130	1 - 14	130010-05960	8 - 3-7	177202-44330	2 - 20
100204-52131	1 - 14	130010-42032	3 - 3	177202-44331	2 - 20
100204-52132	1 - 14	130010-42032	8 - 3-3	177215-44430	2 - 29
100212-42030	1 - 13	130016-42031	8 -	177218-44330	2 - 24
100212-42031	1 - 13	130017-42031	3 - 6	177220-42030	2 - 33
100215-03930	1 - 15	130301-51730	3 - 11	177226-10120	2 - 30
100242-42030	1 - 18	130302-52130	3 - 18	177227-42030	2 - 31
100242-42030	8 - 1-18	130302-52131	3 - 18	177228-06530	2 - 32
101010-44332	1 - 7	130310-51830	3 - 16	177234-42030	2 - 23
101010-44332	8 - 1-7	130406-52130	3 - 20	177236-44330	2 - 27
101011-08961	1 - 5	130406-52131	3 - 20	178001-56730	5 - 17
101503-52131	1 - 25	131004-08960	4 - 16	178003-52130	5 - 8
101514-48930	1 - 23	131005-46830	4 - 15	178010-52130	5 - 5
123000-52132	3 - 8	131005-46831	4 - 15	178012-52730	5 - 33
123000-52132	7 -	131016-55830	4 - 17	178013-52630	5 - 34
123000-52133	3 - 8	131051-52430	4 - 19	178043-42230	5 - 6
123000-52133	7 -	131205-07320	4 - 10	178090-52630	5 - 35
123110-43130	7 - 1	131300-56430	4 - 5	178090-52631	5 - 35
123112-09560	7 - 9	131312-39130	4 - 7	178090-52632	5 - 35
123113-52130	7 - 12	131312-39130	4 - 11	178127-50330	5 - 18
123114-38830	7 - 15	131312-44330	4 - 11	178510-51730	3 - 9
123116-53130	7 - 16	132010-56330	4 - 6	178515-05060	3 - 13
123117-52130	7 - 11	132011-03360	4 - 9	178516-00830	3 - 12
123120-52131	7 - 22	132012-12360	4 - 13	178810-05230	3 - 10
123122-39330	7 - 21	132115-46730	4 - 8	301200-29430	5 - 12
123123-38330	7 - 20	145510-42031	3 - 22	305110-42030	4 - 18
123124-43230	7 - 5	145510-42031	8 - 3-22	351012-54330	5 - 15
123125-09560	7 - 8	145631-42030	3 - 23	351213-52130	5 - 4
123126-10631	7 - 10	145642-04930	3 - 25	433022-06460	6 - 12
123127-15030	7 - 13	145802-21560	3 - 32	604221-21460	6 - 15
123130-02960	7 - 33	145818-52130	3 - 30	610013-12360	5 - 16
123133-04260	7 - 6	145862-40630	3 - 33	610206-12360	5 - 14
123134-04260	7 - 7	145866-42031	3 - 28	610239-04130	6 - 9
123137-19830	7 - 17	145866-42031	8 - 3-28	610272-52130	5 - 1
123138-03930	7 - 19	145876-42030	3 - 29	610308-21460	6 - 16
123139-03930	7 - 18	156112-40630	2 - 13	610312-04560	6 - 23
123140-03930	7 - 30	156626-52630	2 - 9	610312-21460	6 - 20
123141-03930	7 - 31	156801-12360	2 - 7	610312-21460	6 - 20
123142-03930	7 - 32	156801-44731	2 - 7	610330-04560	6 - 22
123142-09560	7 - 2	159011-03432	2 - 11	610330-04561	6 - 22
123146-10631	7 - 26	159012-03433	2 - 10	610335-21460	6 - 2
123149-26030	7 - 35	159017-10230	2 - 12	610335-21560	6 - 17

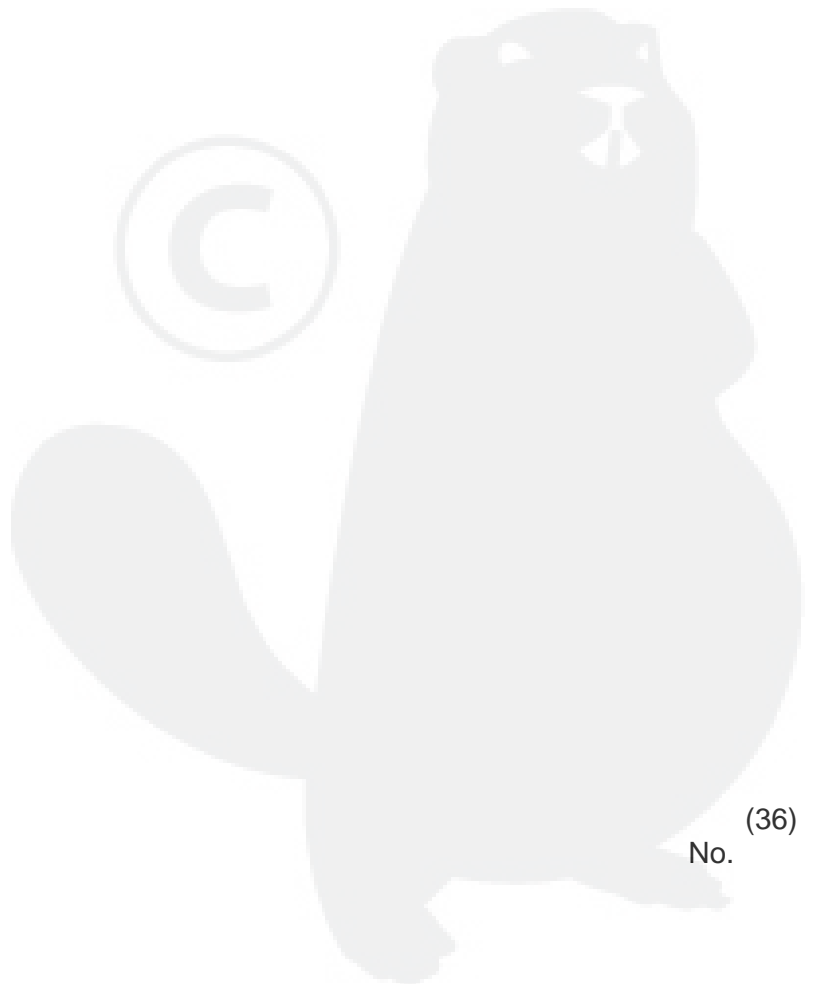
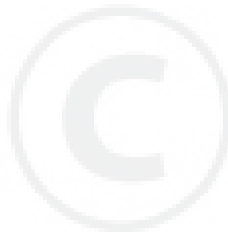
Index

Patrs Number	Key No.	Patrs Number	Key No.	Patrs Number	Key No.
610350-04560	6 - 24	900238-05020	3 - 5	X425-000060	6 - 34
610361-21460	6 - 5	900242-04010	3 - 31	X425-000210	6 - 34
610361-21560	6 - 18	900242-05014	5 - 13	X602-000020	5 - 21
610410-21560	6 - 6	900242-05025	5 - 10	X690-000030	5 - 25
610411-21460	6 - 27	900242-05028	5 - 2		
610414-21460	6 - 26	900242-05035	5 - 9		
610414-21460	8 - 6-26	900242-05057	3 - 15		
610425-04560	6 - 25	900500-00005	3 - 4		
610440-04560	6 - 13	900500-00005	5 - 3		
610903-55230	1 - 39	900500-00005	5 - 11		
610910-55230	1 - 37	900500-00006	6 - 36		
610922-27432	1 - 41	900502-00006	5 - 19		
610923-55230	1 - 40	900600-00005	3 - 21		
697010-06960	6 - 32	900603-00005	4 - 14		
699110-07260	6 - 34	900701-00012	1 - 36		
699113-06560	6 - 31	900702-00028	1 - 34		
699115-21460	6 - 29	900706-00012	6 - 1		
699118-04560	6 - 30	900807-96001	1 - 35		
699120-21561	6 - 11	900810-36201	1 - 16		
880110-54230	6 - 7	900855-06901	6 - 4		
889000-21460	8 -	900855-06901	6 - 4		
890118-49130	2 - 36	900858-06901	6 - 3		
890121-47530	3 - 17	94035-36201	1 - 16		
890135-21560	1 - 24	A011-000100	1 - 17		
890152-04930	5 - 32	A011-000101	1 - 17		
890157-39130	5 - 36	A320-000250	3 - 23		
890617-12360	5 - 29	A320-000251	3 - 23		
890617-12361	5 - 29	A356-000030	4 - 5		
895112-00330	5 - 20	C050-000010	5 - 14		
895410-08030	5 - 21	C532-000120	6 - 22		
895610-00130	5 - 22	P021-000110	6 - 6		
895612-03430	5 - 23	P021-000111	6 - 6		
898510-39130	5 - 24	P021-004190	6 - 16		
898523-06560	6 - 35	P021-008940	3 - 32		
899580-68730	5 - 25	P021-009440	6 - 16		
900105-05055	3 - 26	V060-000000	6 - 16		
900142-05025	1 - 42	V104-000160	3 - 22		
900162-04012	6 - 28	V104-000160	8 - 3-22		
900162-04022	2 - 8	V137-000030	4 - 8		
900162-05012	6 - 10	V471-001200	4 - 7		
900162-05022	1 - 6	V471-001200	4 - 11		
900162-05028	1 - 19	V553-000010	1 - 4		
900162-05028	6 - 8	V622-000020	1 - 15		
900163-04016	1 - 20	V651-000050	6 - 5		
900163-04016	1 - 26	V651-000060	6 - 18		
900163-04016	2 - 35	V651-000180	6 - 5		
900212-06035	6 - 14	V651-000190	6 - 18		
900238-05016	1 - 21	X411-000050	6 - 32		
900238-05016	4 - 12	X411-000400	6 - 32		

YAMABIKO CORPORATION

7-2 SUEHIROCHO 1-CHOME, OHME, TOKYO 198-8760, JAPAN
PHONE: 81-428-32-6118. FAX: 81-428-32-6145.

ECHO[®]



(36)
No.