



PARTS CATALOG

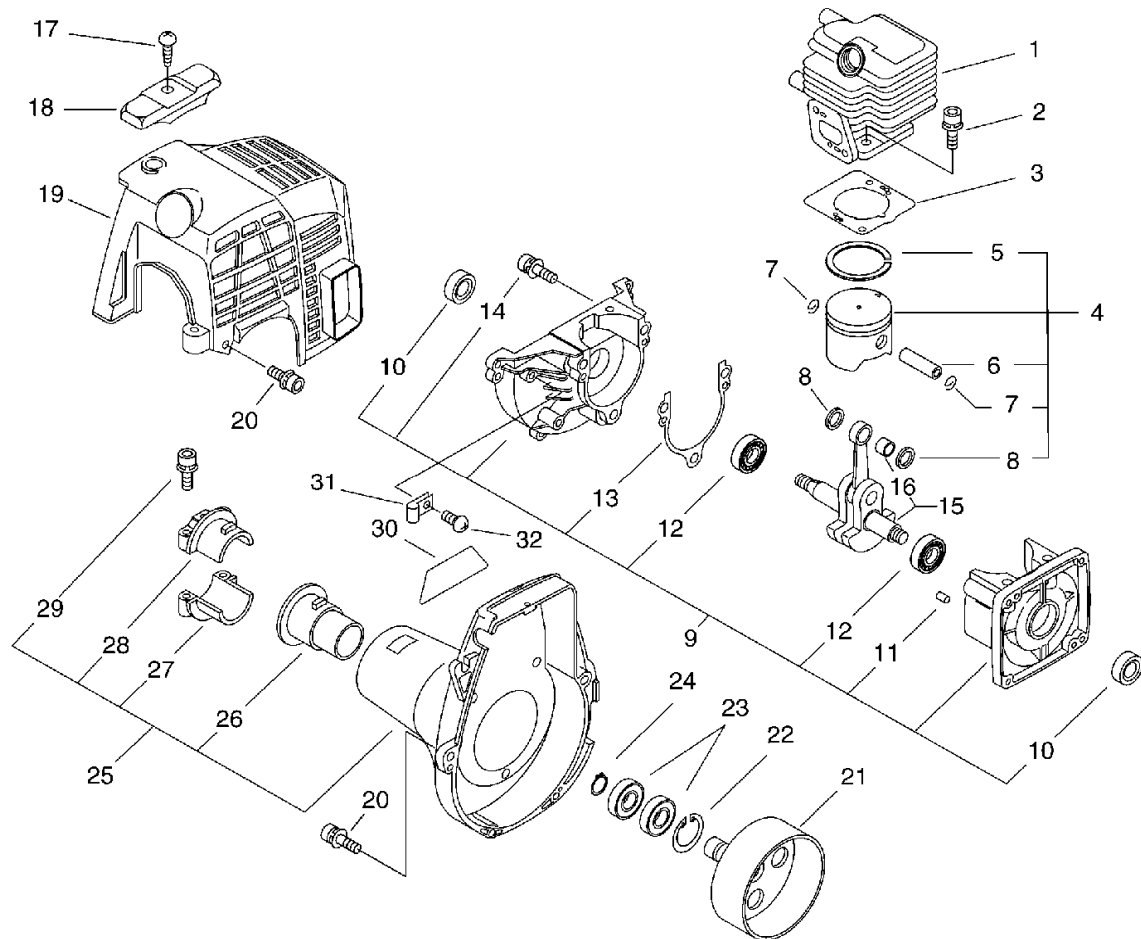
SHAFT HEDGE TRIMMER

HCAS-2200(36)

- 36004395

HCAS-2200(36)

1. Cylinder, Crankcase, Piston, Fan Cover(Sr/Nr 36003374 and before)

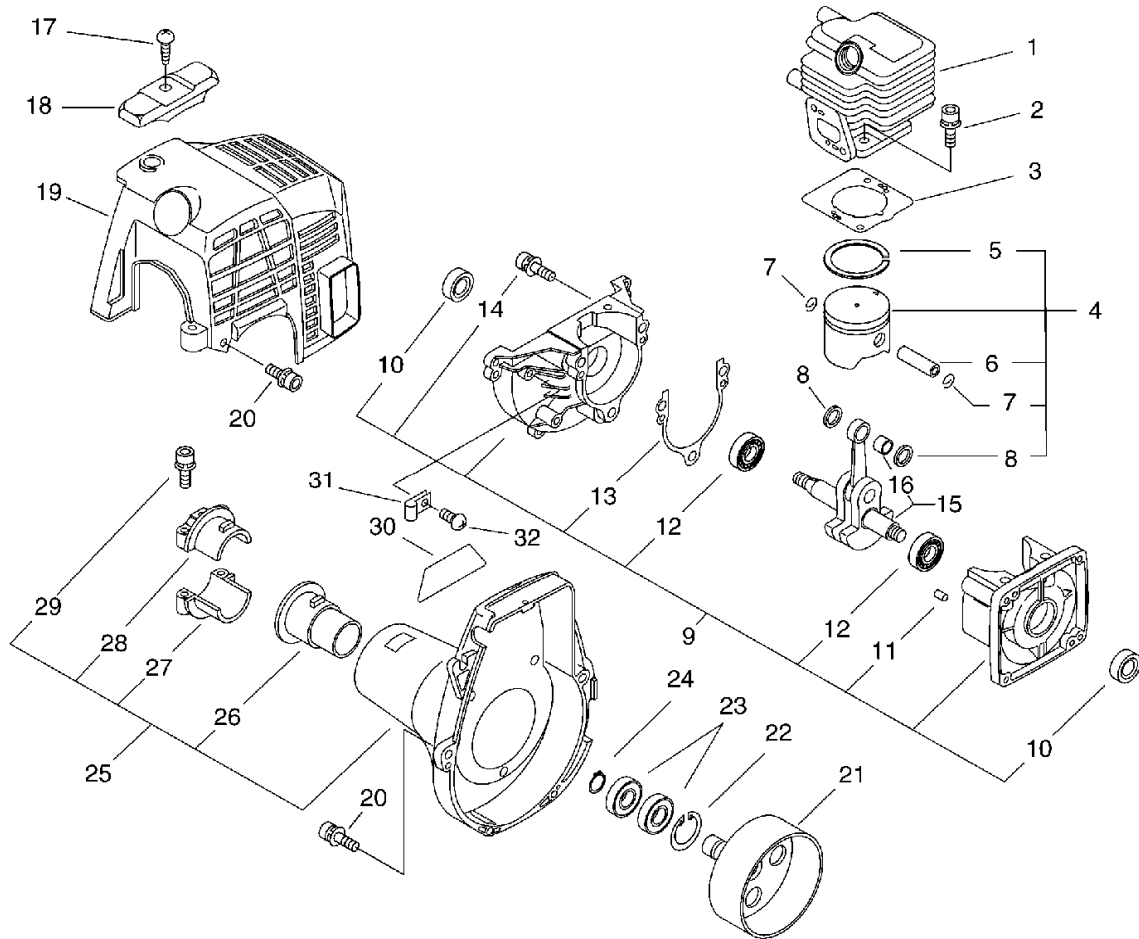


KEY	LV	PART NUMBER	Q'TY	DESCRIPTION	REMARKS	NOTE1	NOTE2
1		A130-000540	1	CYLINDER			
2		900162-05022	2	BOLT, H.S. 5*22	5*22 W,SW		
3		V100-000160	1	GASKET,CYL			
4		P021-007712	1	PISTON KIT			
5	+	A101-000090	1	RING,PISTON			
6	+	100013-11520	1	PIN, PISTON			
7	+	100015-04630	2	CIRCLIP, PISTON PIN			
8	+	100014-11520	2	SPACER, PISTON PIN			
9		100204-52132	1	CRANKCASE KIT			
10	+	100212-42031	2	OILSEAL	ISCD 12*22*4.5		
11	+	100215-03930	2	PIN, DOWEL			
12	+	94035-36201	2	BEARING BALL	6201X3JR2C3		
13	+	100242-42030	1	GASKET, CRANKCASE			
14	+	900162-05028	3	BOLT, H.S. 5*28	5*28 W,SW		
15		A011-000101	1	CRANKSHAFT,ASM			
16	+	V553-000010	1	BEARING,NEEDLE 8	HK0810		
17		900238-05016	1	SCREW 5*16	5*16		
18		A162-000050	1	GUARD, TOP			
19		A160-000570	1	COVER,CYLINDER			
20		900163-04016	6	BOLT HSH			
21		175005-48931	1	DRUM, CLUTCH			
22		900702-00028	1	CIRCLIP 28	CR-28		
23		900807-96001	2	BEARING, BALL 6001	6001		
24		900701-00012	1	CIRCLIP 12	CS-12		
25		P021-010510	1	COVER ASY, FAN			

ore)



1. Cylinder, Crankcase, Piston, Fan Cover(Sr/Nr 36003374 and before)

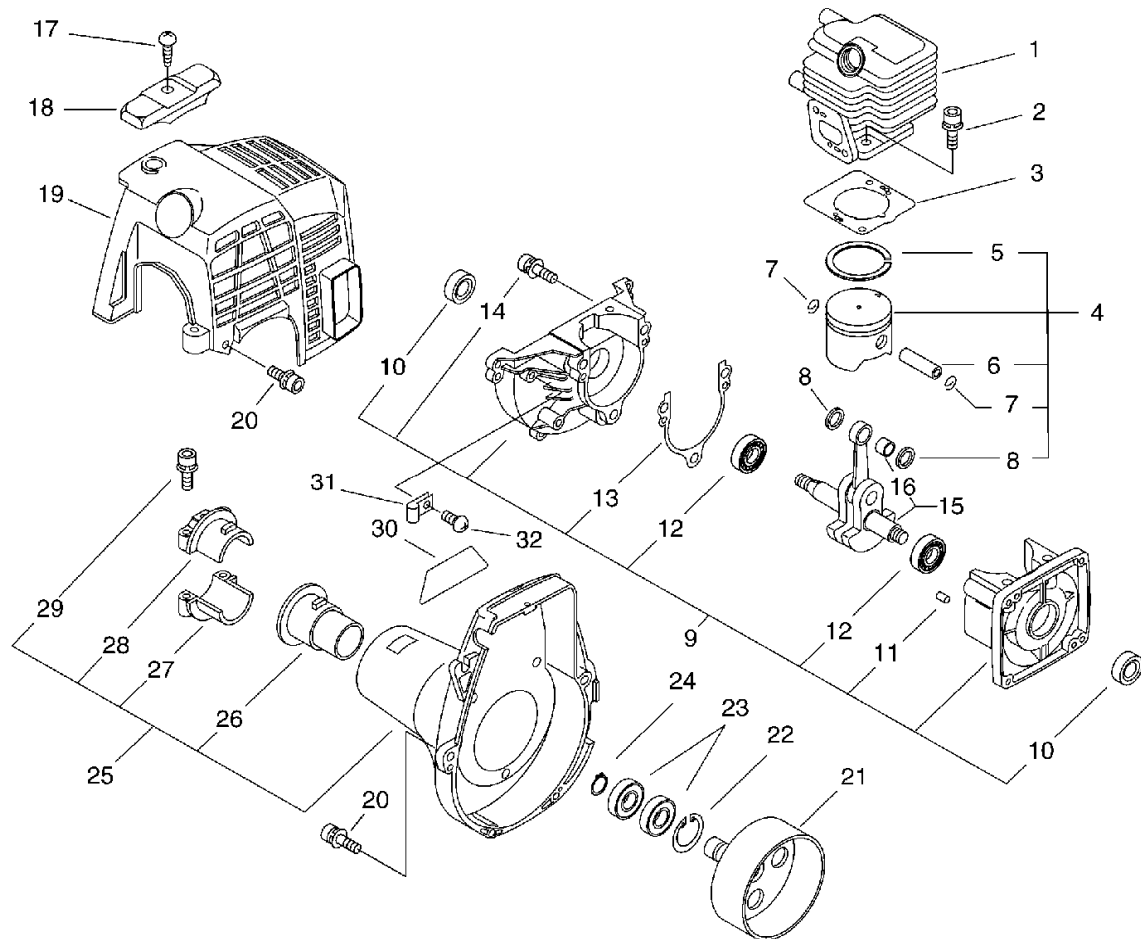


KEY	LV	PART NUMBER	Q'TY	DESCRIPTION	REMARKS	NOTE1	NOTE2
26	+	610910-55230	1	CUSHION			
27	+	A575-000100	1	FIXTURE,MAIN PIPE			
28	+	610922-27432	1	HOLDER			
29	+	900142-05025	2	BOLT 5*25 (W/W,SW)	5*25		
30		X547-000380	1	LABEL,ECHO	HCAS-2200		

ore)



2. Cylinder, Crankcase, Piston, Fan Cover(Sr/Nr 36003375 and after)

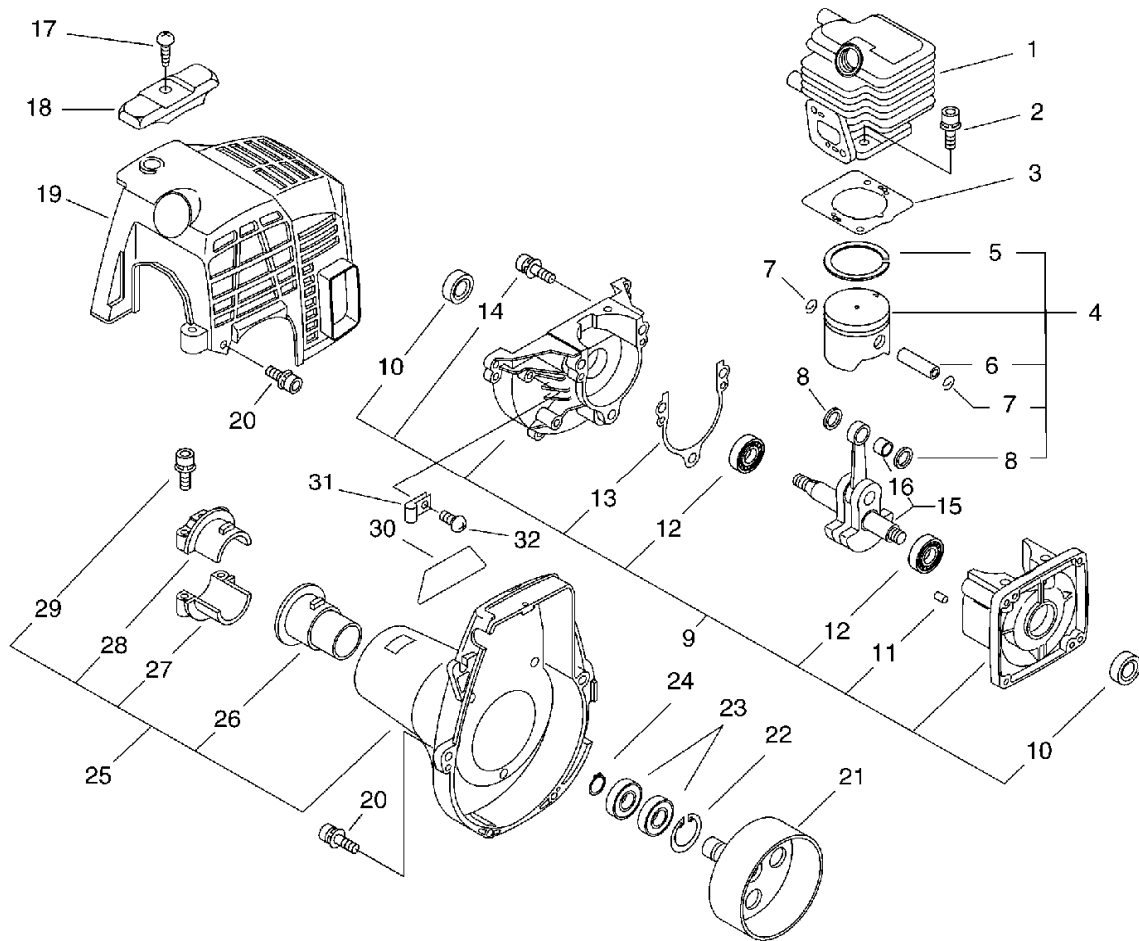


KEY	LV	PART NUMBER	Q'TY	DESCRIPTION	REMARKS	NOTE1	NOTE2
1		A130-000540	1	CYLINDER			
2		900162-05022	2	BOLT, H.S. 5*22	5*22 W,SW		
3		V100-000160	1	GASKET,CYL			
4		P021-007712	1	PISTON KIT			
5	+	A101-000090	1	RING,PISTON			
6	+	100013-11520	1	PIN, PISTON			
7	+	100015-04630	2	CIRCLIP, PISTON PIN			
8	+	100014-11520	2	SPACER, PISTON PIN			
9		100204-52132	1	CRANKCASE KIT			
10	+	100212-42031	2	OILSEAL	ISCD 12*22*4.5		
11	+	100215-03930	2	PIN, DOWEL			
12	+	94035-36201	2	BEARING BALL	6201X3JR2C3		
13	+	100242-42030	1	GASKET, CRANKCASE			
14	+	900162-05028	3	BOLT, H.S. 5*28	5*28 W,SW		
15		A011-000101	1	CRANKSHAFT,ASM			
16	+	V553-000010	1	BEARING,NEEDLE 8	HK0810		
17		900238-05016	1	SCREW 5*16	5*16		
18		A162-000050	1	GUARD, TOP			
19		A160-000570	1	COVER,CYLINDER			
20		900163-04016	6	BOLT HSH			
21		175005-48931	1	DRUM, CLUTCH			
22		900702-00028	1	CIRCLIP 28	CR-28		
23		900807-96001	2	BEARING, BALL 6001	6001		
24		900701-00012	1	CIRCLIP 12	CS-12		
25		P021-010510	1	COVER ASY, FAN			

er)



2. Cylinder, Crankcase, Piston, Fan Cover(Sr/Nr 36003375 and afte

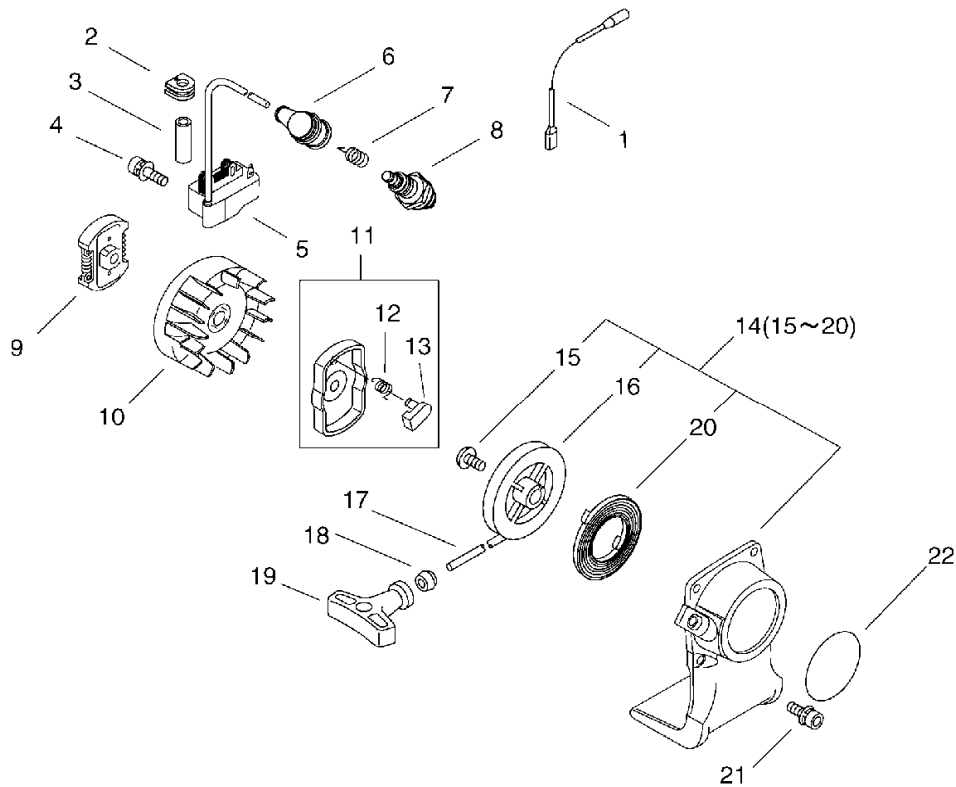


KEY	LV	PART NUMBER	Q'TY	DESCRIPTION	REMARKS	NOTE1	NOTE2
26	+	610910-55230	1	CUSHION			
27	+	A575-000100	1	FIXTURE,MAIN PIPE			
28	+	610922-27432	1	HOLDER			
29	+	900142-05025	2	BOLT 5*25 (W/W,SW)	5*25		
30		X547-000380	1	LABEL,ECHO	HCAS-2200		
31		132112-22031	1	CLIP, FUEL PIPE			
32		900238-05010	1	SCREW 5*10	5*10		

er)

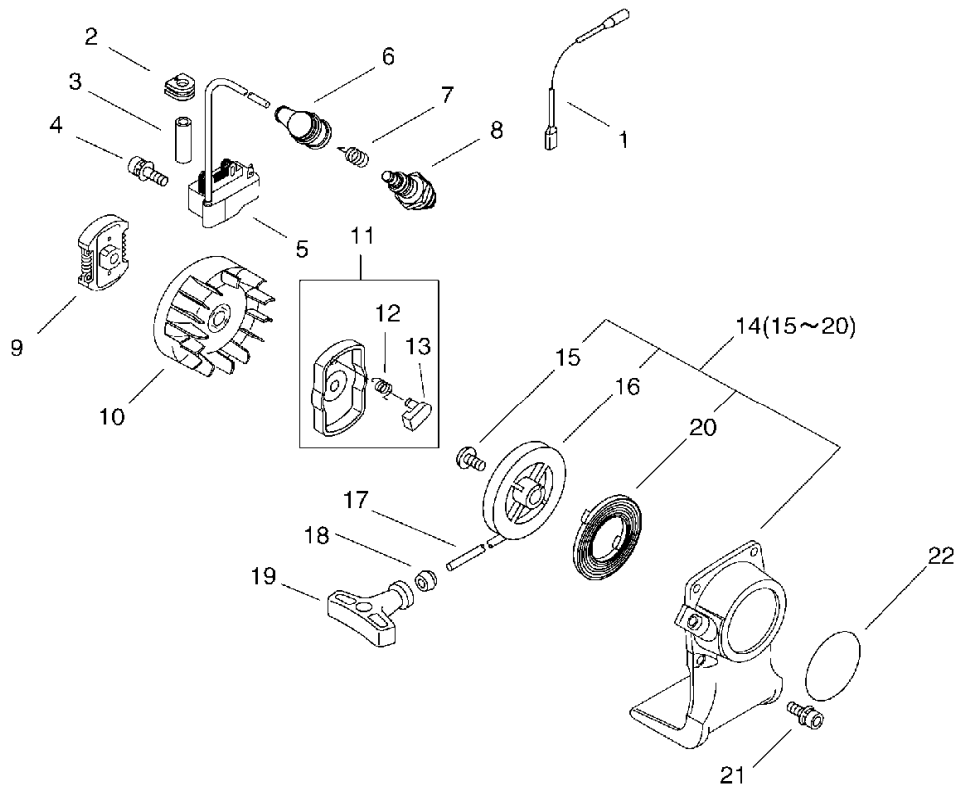


3. Starter, Magneto, Clutch(Sr/Nr 36003374 and before)



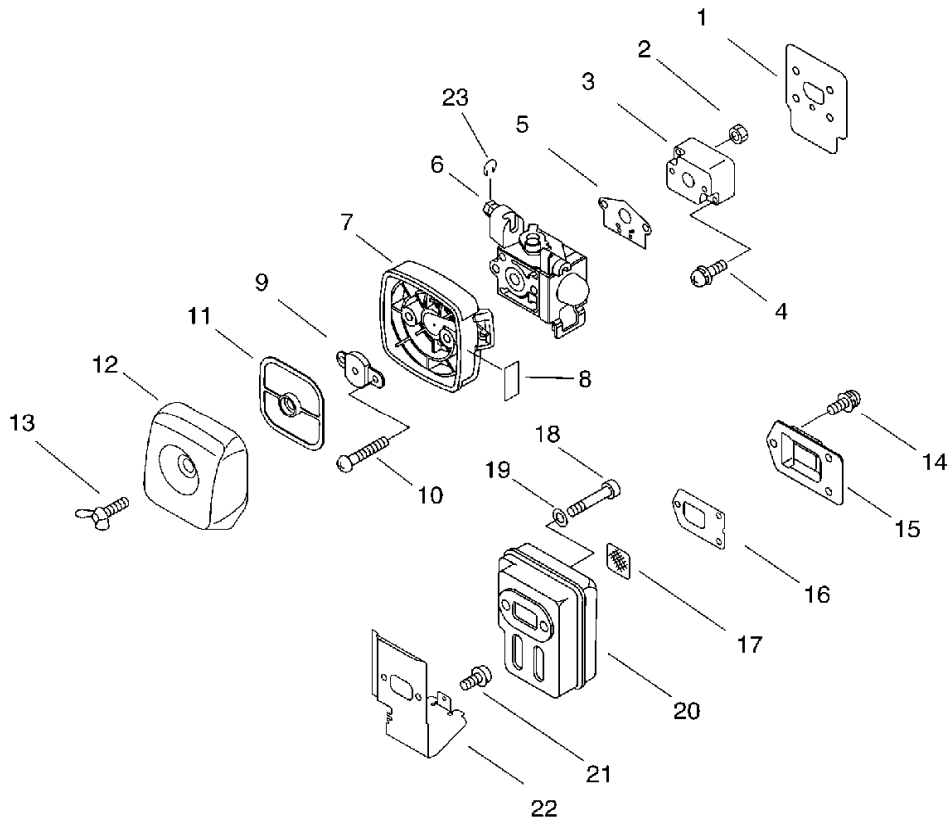
KEY	LV	PART NUMBER	Q'TY	DESCRIPTION	REMARKS	NOTE1	NOTE2
1		162010-52830	1	LEAD, GROUND			
2		156112-40630	1	GROMMET			
3		156110-54930	1	TUBE	7*8,6*18.5		
4		900162-04020	2	BOLT, H.S. 4*20	4*20 W,SW		
5		A411-000140	1	COIL,IGNITION			
6		159012-01620	1	CAP, SPARK PLUG			
7		159011-03432	1	COIL, SPARK PLUG			
8		A425-000000	1	SPARKPLUG	BPMR8Y		
9		175000-56830	1	CLUTCH ASSY		Sus. by 175000-56831	
10		A409-000210	1	ROTOR,MAGNETO			
11		177202-44331	1	PAWL ASM., STARTER			
12	+	177234-12220	2	SPRING, PAWL			
13	+	177218-44330	2	PAWL, STARTER	BLACK		
14		177200-54130	1	STARTER ASSY			
15	+	177236-44330	1	SCREW			
16	+	177215-44430	1	DRUM, STARTER			
17	+	177226-10120	1	ROPE, STARTER	3.0*1000		
18	+	177227-42030	1	GUIDE, ROPE			
19	+	177228-06530	1	GRIP, STARTER			
20	+	177220-42030	1	SPRING, REWIND			
21		900163-04016	2	BOLT HSH			
22		890118-49130	1	LABEL, ECHO			

4. Starter, Magneto, Clutch(Sr/Nr 36003375 and after)



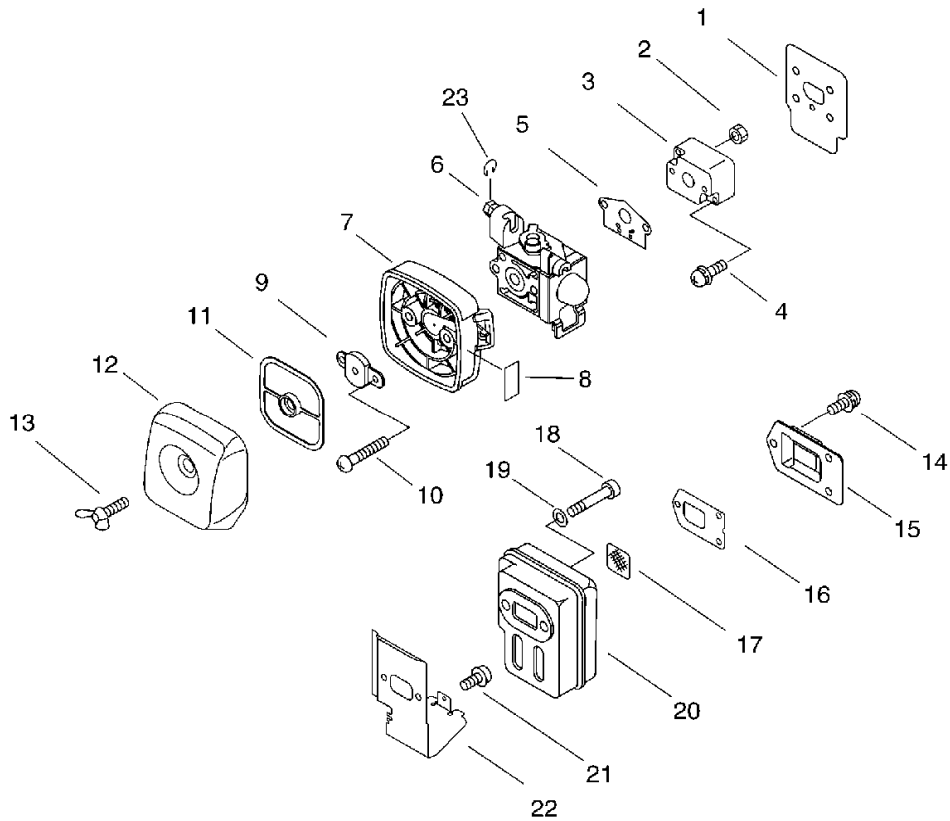
KEY	LV	PART NUMBER	Q'TY	DESCRIPTION	REMARKS	NOTE1	NOTE2
1		162010-52830	1	LEAD, GROUND			
2		156112-40630	1	GROMMET			
3		156110-54930	1	TUBE	7*8,6*18.5		
4		900162-04020	2	BOLT, H.S. 4*20	4*20 W,SW		
5		A411-000140	1	COIL,IGNITION			
6		159012-01620	1	CAP, SPARK PLUG			
7		159011-03432	1	COIL, SPARK PLUG			
8		A425-000000	1	SPARKPLUG	BPMR8Y		
9		175000-56830	1	CLUTCH ASSY		Sus. by 175000-56831	
9		175000-56831	1	CLUTCH ASSEMBLY			
10		A409-000210	1	ROTOR,MAGNETO			
11		177202-44331	1	PAWL ASM., STARTER			
12	+	177234-12220	2	SPRING, PAWL			
13	+	177218-44330	2	PAWL, STARTER	BLACK		
14		177200-54130	1	STARTER ASSY			
15	+	177236-44330	1	SCREW			
16	+	177215-44430	1	DRUM, STARTER			
17	+	177226-10120	1	ROPE, STARTER	3.0*1000		
18	+	177227-42030	1	GUIDE, ROPE			
19	+	177228-06530	1	GRIP, STARTER			
20	+	177220-42030	1	SPRING, REWIND			
21		900163-04016	2	BOLT HSH			
22		890118-49130	1	LABEL, ECHO		Sus. by X502-000330	

5. Air Cleaner, Muffler(Sr/Nr 36003374 and before)



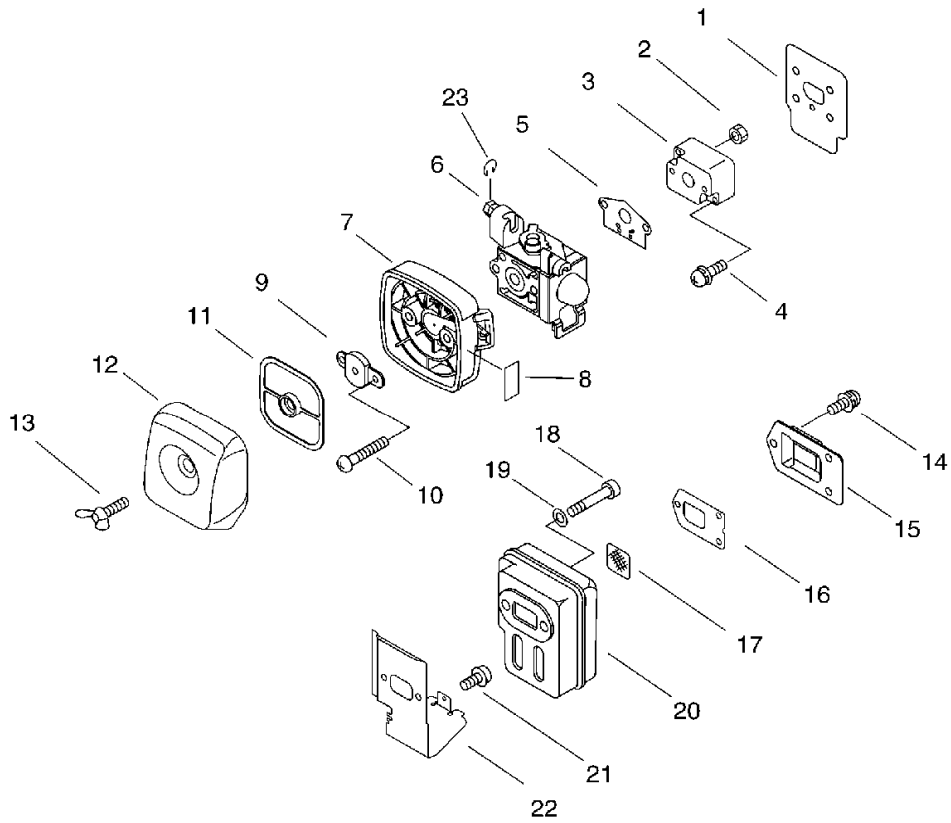
KEY	LV	PART NUMBER	Q'TY	DESCRIPTION	REMARKS	NOTE1	NOTE2
1		130010-42032	1	GASKET,INTAKE			
2		900500-00005	2	NUT 5	5		
3		130017-44330	1	INSULATOR			
4		900238-05020	2	SCREW 5*20	5*20		
5		130010-13410	1	GASKET, INTAKE			
6		A021-000740	1	CARBURETOR,DIAPHRAGM	RB-75		Sus. by A021-001460 Sr/Nr 36003549 and before
7		P021-000991	1	CASE, AIR CLEANER			
8		890332-52730	1	LABEL, CHOKE			
9		129011-52730	1	PLATE, PREVENT			
10		900220-05065	2	SCREW 5*65	5*65		
11		130310-54130	1	FILTER, AIR			
12		130313-06563	1	LID, AIR CLEANER			
13		210417-52730	1	BOLT, WING	5*20		
14		900242-04010	3	SCREW 4*10	4*10		
15		A313-000580	1	GUIDE,EXH			
16		145866-42031	1	GASKET, MUFFLER LID			
17		145862-40630	1	SCREEN, MUFFLER			
18		900105-05055	2	BOLT, H.S. 5*55	5*55		
19		900600-00005	2	WASHER 5	5		
20		145806-42030	1	MUFFLER			
21		91107-04008	1	BOLT HSH FLANGE	4*8		
22		V104-000500	1	GASKET,EXHAUST			

6. Air Cleaner, Muffler(Sr/Nr 36003375 to 36004000)



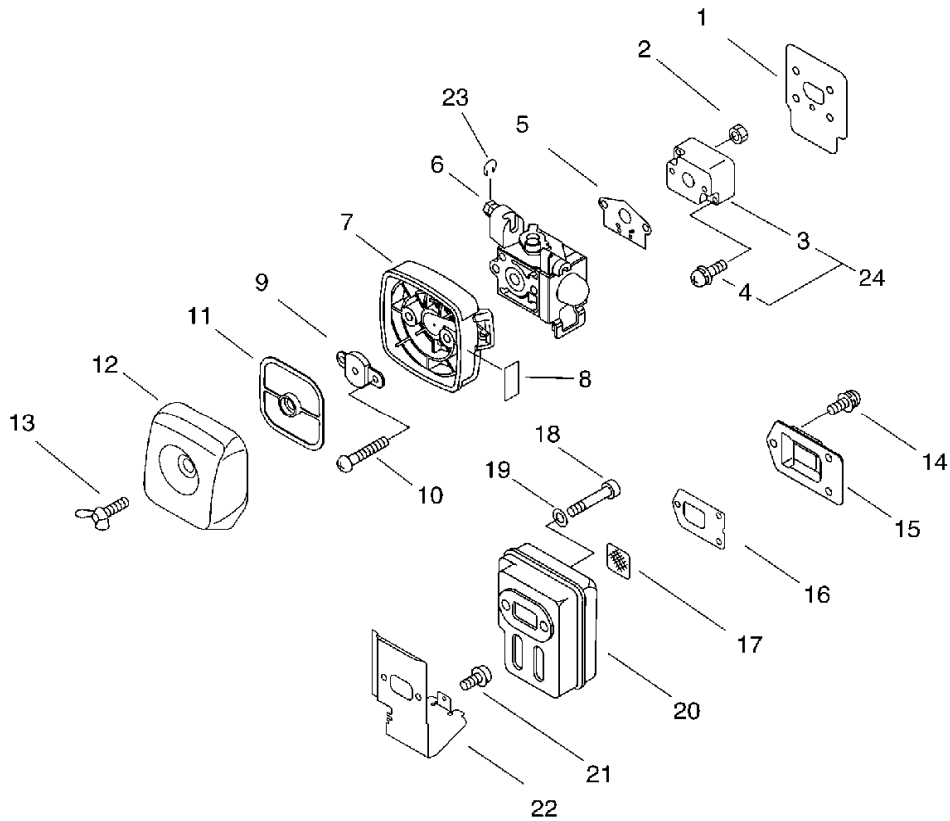
KEY	LV	PART NUMBER	Q'TY	DESCRIPTION	REMARKS	NOTE1	NOTE2
1		130010-42032	1	GASKET,INTAKE			
2		900500-00005	2	NUT 5	5		
3		130017-44330	1	INSULATOR			Sr/Nr 36003375 to 36004000 Sus. by P021-015350
4		900238-05020	2	SCREW 5*20	5*20		Sr/Nr 36003375 to 36004000 Sus. by P021-015350
5		130010-13410	1	GASKET, INTAKE			
6		A021-000740	1	CARBURETOR,DIAPHRAGM	RB-75		Sus. by A021-001460 Sr/Nr 36003549 and before
6		A021-001460	1	CARBURETOR,DIAPHRAGM	RB-K87		Sr/Nr 36003550 and after
7		P021-000991	1	CASE, AIR CLEANER			
8		890332-52730	1	LABEL, CHOKE			
9		129011-52730	1	PLATE, PREVENT			
10		900220-05065	2	SCREW 5*65	5*65		
11		130310-54130	1	FILTER, AIR			
12		130313-06563	1	LID, AIR CLEANER			
13		210417-52730	1	BOLT, WING	5*20		
14		900242-04010	3	SCREW 4*10	4*10		
15		A313-000580	1	GUIDE,EXH			

6. Air Cleaner, Muffler(Sr/Nr 36003375 to 36004000)



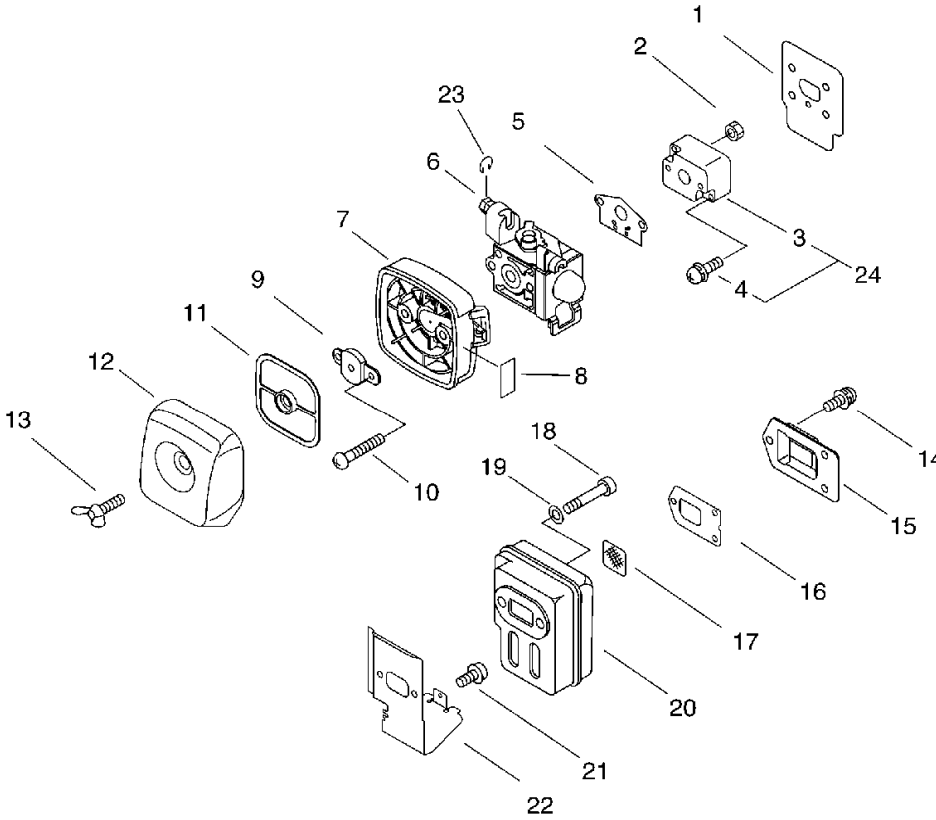
KEY	LV	PART NUMBER	Q'TY	DESCRIPTION	REMARKS	NOTE1	NOTE2
16		145866-42031	1	GASKET, MUFFLER LID			
17		145862-40630	1	SCREEN, MUFFLER			
18		900105-05055	2	BOLT, H.S. 5*55	5*55		
19		900600-00005	2	WASHER 5	5		
20		145806-42030	1	MUFFLER			
21		91107-04008	1	BOLT HSH FLANGE	4*8		
22		V104-000500	1	GASKET, EXHAUST			
23		100015-00120	1	CIRCLIP, PISTON PIN			

7. Air Cleaner, Muffler(Sr/Nr 36004001 and after)

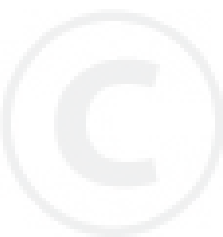


KEY	LV	PART NUMBER	Q'TY	DESCRIPTION	REMARKS	NOTE1	NOTE2
1		130010-42032	1	GASKET,INTAKE			
2		900500-00005	2	NUT 5	5		
5		130010-13410	1	GASKET, INTAKE			
6		A021-001460	1	CARBURETOR,DIAPHRAGM	RB-K87		
7		P021-000991	1	CASE, AIR CLEANER			
8		890332-52730	1	LABEL, CHOKE			
9		129011-52730	1	PLATE, PREVENT			
10		900220-05065	2	SCREW 5*65	5*65		
11		130310-54130	1	FILTER, AIR			
12		130313-06563	1	LID, AIR CLEANER			
13		210417-52730	1	BOLT, WING	5*20		
14		900242-04010	3	SCREW 4*10	4*10		
15		A313-000580	1	GUIDE,EXH			
16		145866-42031	1	GASKET, MUFFLER LID			
17		145862-40630	1	SCREEN, MUFFLER			
18		900105-05055	2	BOLT, H.S. 5*55	5*55		
19		900600-00005	2	WASHER 5	5		
20		145806-42030	1	MUFFLER			
21		91107-04008	1	BOLT HSH FLANGE	4*8		
22		V104-000500	1	GASKET,EXHAUST			
23		100015-00120	1	CIRCLIP, PISTON PIN			
24		P021-015350	1	INSULATOR KIT		Sr/Nr 36004001 and after	
3	+	130017-44331	1	INSULATOR		Sr/Nr 36004001 and after	

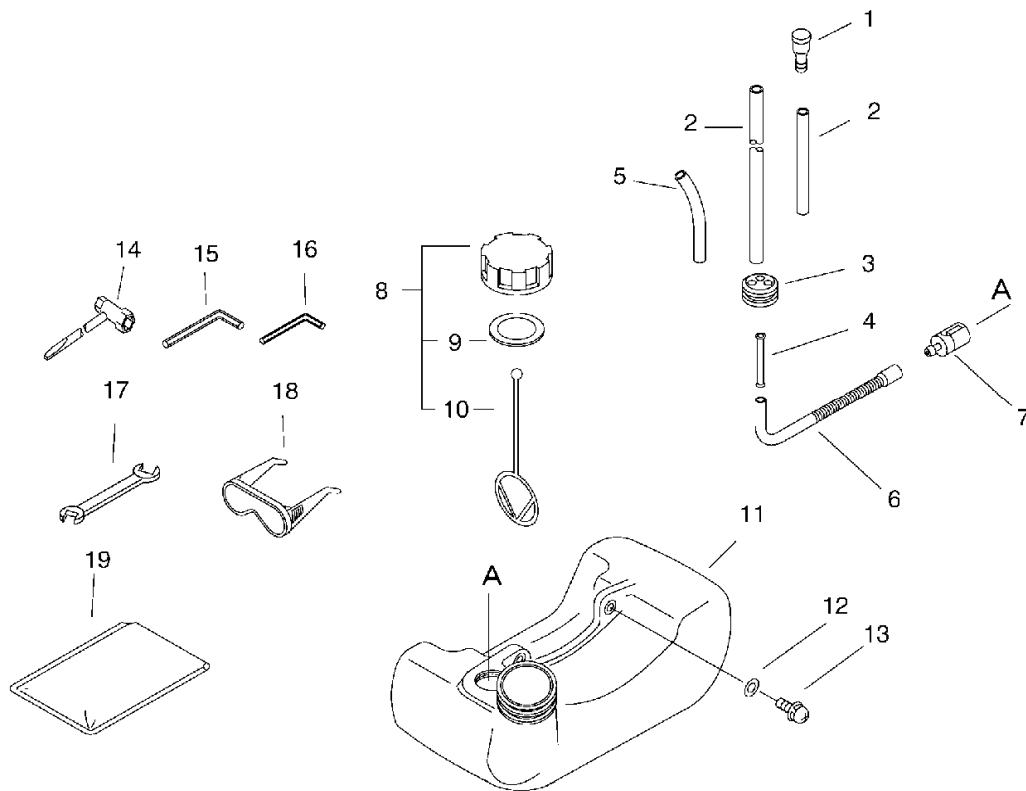
7. Air Cleaner, Muffler(Sr/Nr 36004001 and after)



KEY	LV	PART NUMBER	Q'TY	DESCRIPTION	REMARKS	NOTE1	NOTE2
4	+	900238-05022	2	SCREW 5*22	5*22	Sr/Nr 36004001 and after	

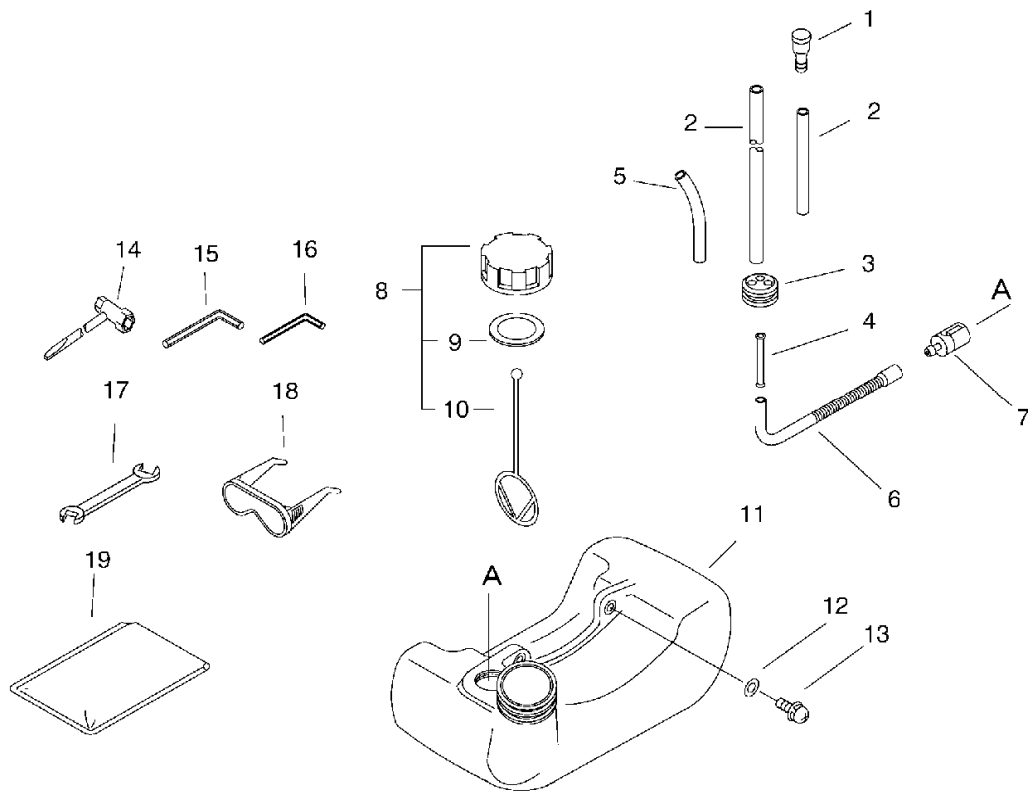


8. Fuel Tank(Sr/Nr 36003374 and before)



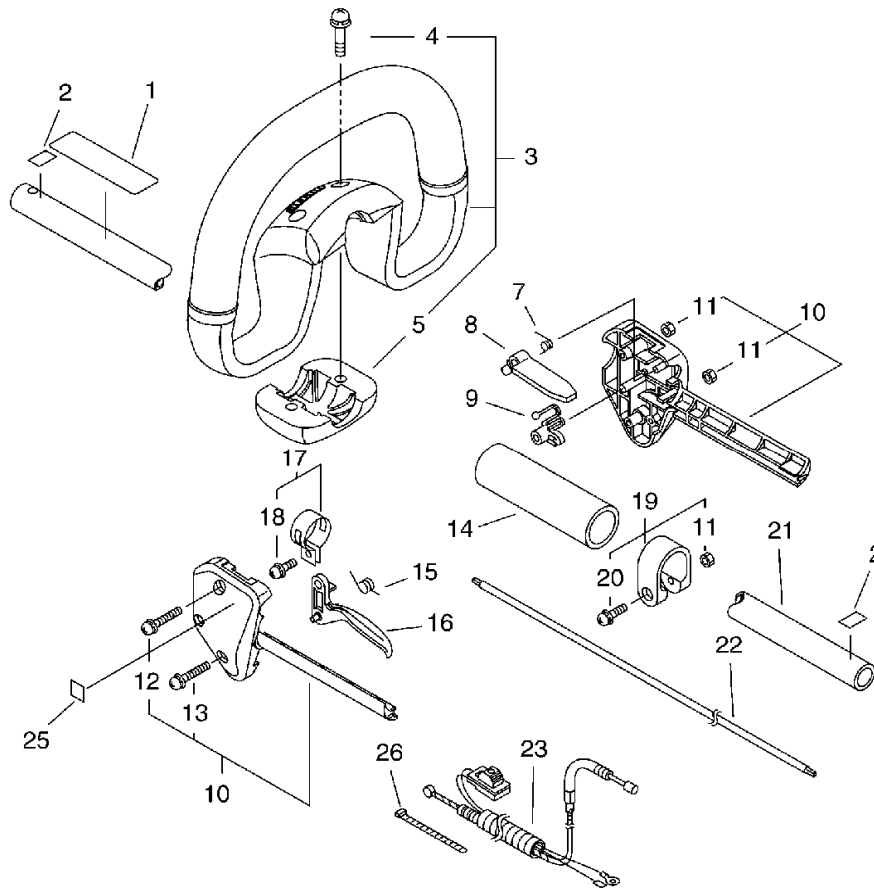
KEY	LV	PART NUMBER	Q'TY	DESCRIPTION	REMARKS	NOTE1	NOTE2
1		A356-000030	1	VALVE,CHECK			
2		V471-001200	2	PIPE	3*5*70 NBR		
3		V137-000030	1	GROMMET,FUEL			
4		132011-03360	1	CONNECTOR, FUEL PIPE			
5		132012-56030	1	PIPE	3*6*80 YL		
6		132012-12360	1	PIPE, FUEL		Sus. by 132012-12361	
7		131205-07320	1	STRAINER, FUEL			
8		131004-55530	1	CAP ASSY, FUEL TANK			
9	+	131016-55830	1	GASKET, FUEL CAP			
10	+	131051-56030	1	CLIP, FUEL CAP	100L		
11		A350-000291	1	TANK,FUEL			
12		900603-00005	2	WASHER 5	5.5*12*0.8		
13		900162-05020	2	BOLT, H.S. 5*20	5*20 W,SW		
14		X602-000020	1	TOOL,WRENCH	17*19 L200		
15		895610-00130	1	L-WRENCH (4MM)			
16		895612-03430	1	L-WRENCH (3MM)			
17		895112-00330	1	SPANNER 8*10			
18		P021-002861	1	GOGGLES			
19		898510-39130	1	BAG, TOOL			

9. Fuel Tank(Sr/Nr 36003375 and after)



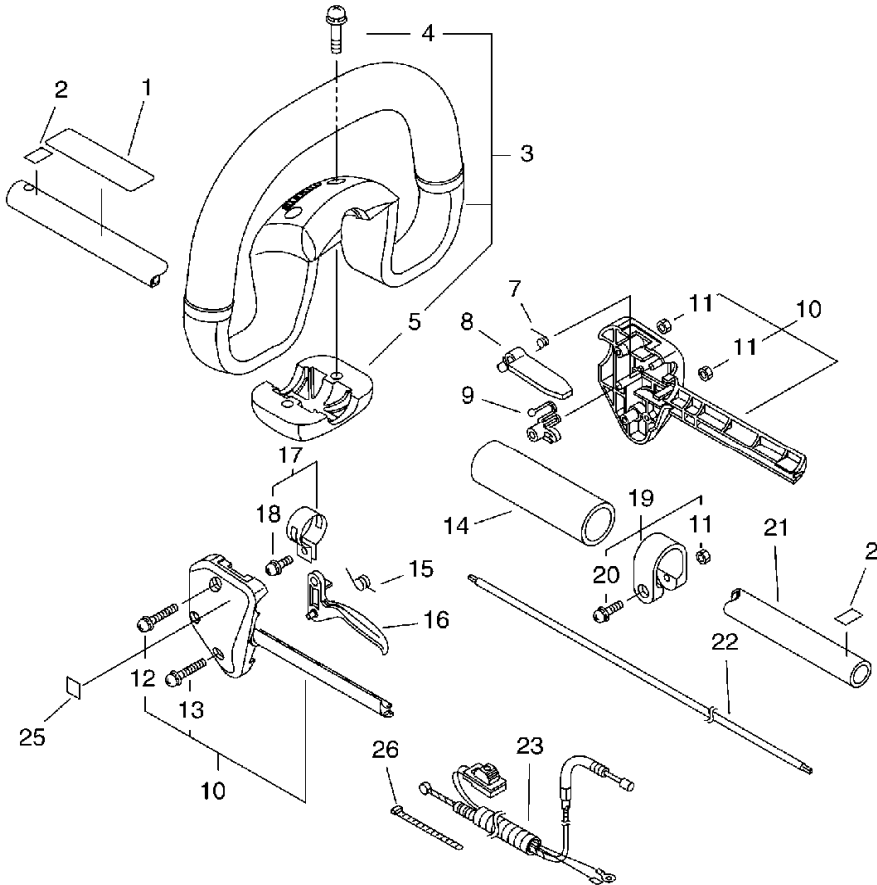
KEY	LV	PART NUMBER	Q'TY	DESCRIPTION	REMARKS	NOTE1	NOTE2
1		A356-000030	1	VALVE,CHECK			
2		V471-001200	2	PIPE	3*5*70 NBR		
3		V137-000030	1	GROMMET,FUEL			
4		132011-03360	1	CONNECTOR, FUEL PIPE			
5		132012-56030	1	PIPE	3*6*80 YL		
6		132012-12360	1	PIPE, FUEL		Sus. by 132012-12361	
6		132012-12361	1	PIPE			
7		131205-07320	1	STRAINER, FUEL			
8		131004-55530	1	CAP ASSY, FUEL TANK			
9	+	131016-55830	1	GASKET, FUEL CAP			
10	+	131051-56030	1	CLIP, FUEL CAP	100L		
11		A350-000291	1	TANK,FUEL			
12		900603-00005	2	WASHER 5	5.5*12*0.8		
13		900162-05020	2	BOLT, H.S. 5*20	5*20 W,SW		
14		X602-000020	1	TOOL,WRENCH	17*19 L200	Sus. by 895410-03930	
15		895610-00130	1	L-WRENCH (4MM)			
16		895612-03430	1	L-WRENCH (3MM)			
17		895112-00330	1	SPANNER 8*10			
18		P021-002861	1	GOGGLES		Sus. by X690-000050	
19		898510-39130	1	BAG, TOOL			

10. Handle(Sr/Nr 36003374 and before)



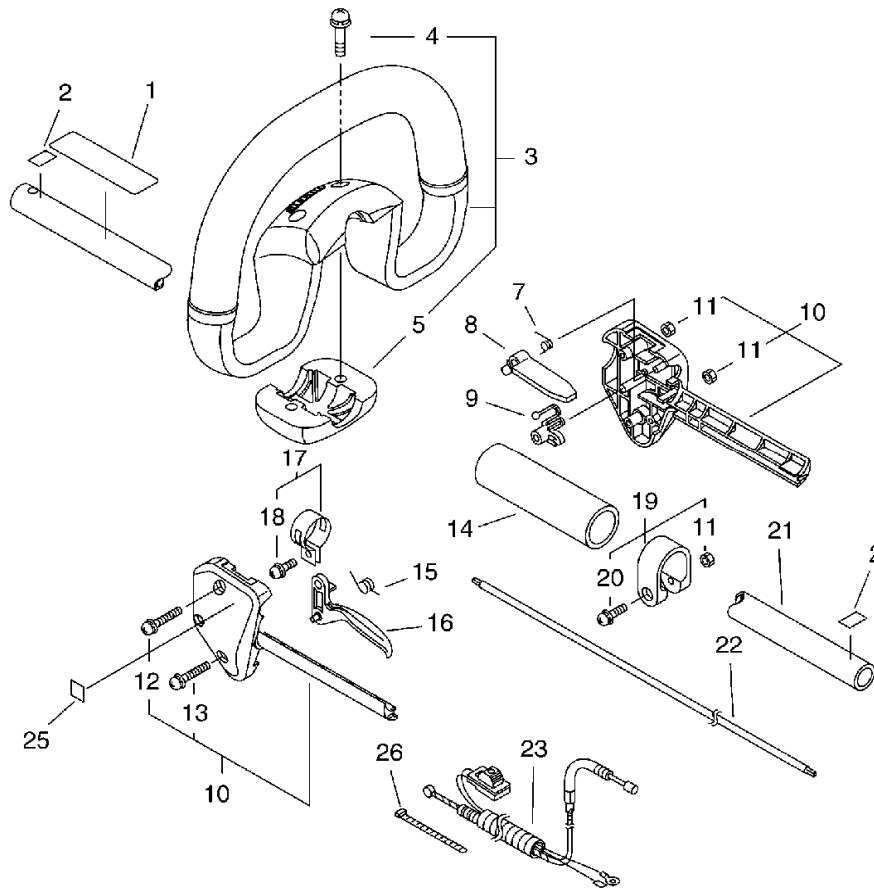
KEY	LV	PART NUMBER	Q'TY	DESCRIPTION	REMARKS	NOTE1	NOTE2
1		890617-12361	1	LABEL, CAUTION			
2		890152-04930	2	LABEL, CAUTION			
3		P021-008322	1	FRONT HANDLE ASY			
4	+	900242-05040	2	SCREW 5*40	5*40		
5	+	C423-000190	1	FIXTURE,HANDLE			
6		163401-55631	1	SWITCH, IGNITION		Disuse	
7		178013-52630	1	SPRING, THR. LOCK			
8		178090-52632	1	LOCKOUT, T. CONTROL			
9		178012-52730	1	LOCKOUT, THROTTLE			
10		178003-52130	1	BRACKET SET,THROTTLE			
11	+	900500-00005	2	NUT 5	5		
12	+	900242-05035	1	SCREW 5*35	5*35		
13	+	900242-05025	1	SCREW 5*25	5*25		
14		351213-52130	1	GRIP			
15		178043-42230	1	SPRING, THR. RETURN			
16		178010-52130	1	CONTROL, THROTTLE			
17		301200-29430	1	BAND ASSY			
18	+	900242-05014	1	SCREW 5*14	5*14		
19		610272-52130	1	BAND			
11	+	900500-00005	1	NUT 5	5		
20	+	900242-05028	1	SCREW 5*28	5*28		
21		C050-000350	1	PIPE ASY, MAIN	25*844MM		
22		610013-21560	1	SHAFT, FLEXIBLE			
23		V430-000730	1	CABLE,BOWDEN		Sus. by V043-000190	
24		178127-21360	1	TUBE	7*10*120		

10. Handle(Sr/Nr 36003374 and before)



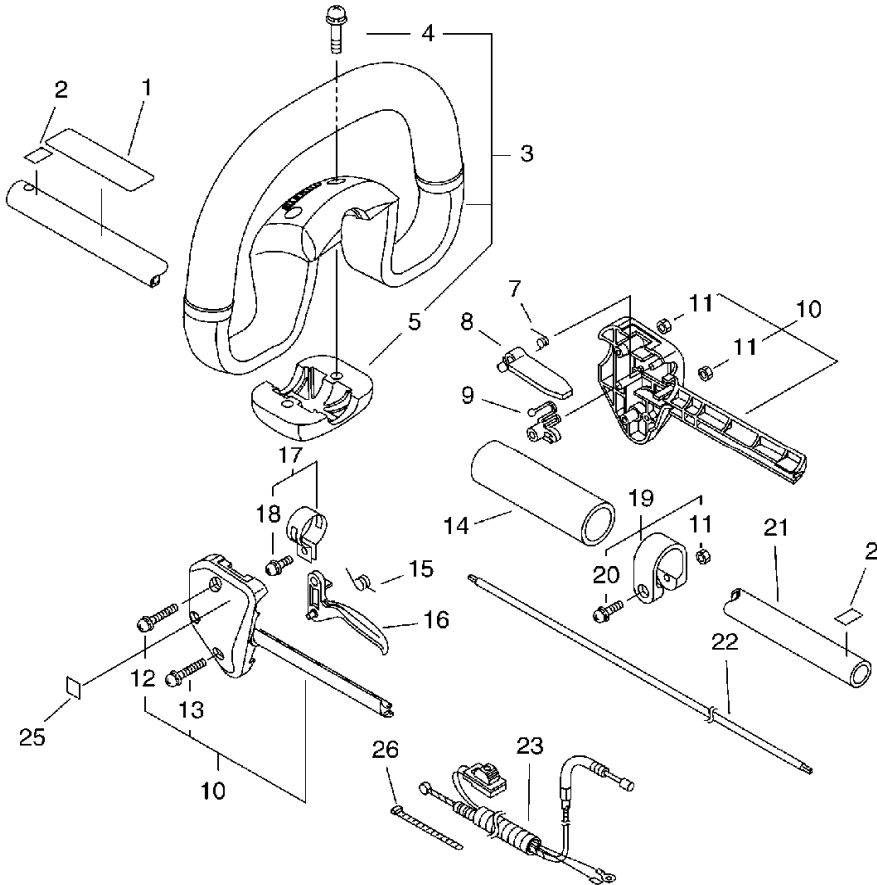
KEY	LV	PART NUMBER	Q'TY	DESCRIPTION	REMARKS	NOTE1	NOTE2
25		890157-39130	1	LABEL, SWITCH			

11. Handle(Sr/Nr 36003375 and after)



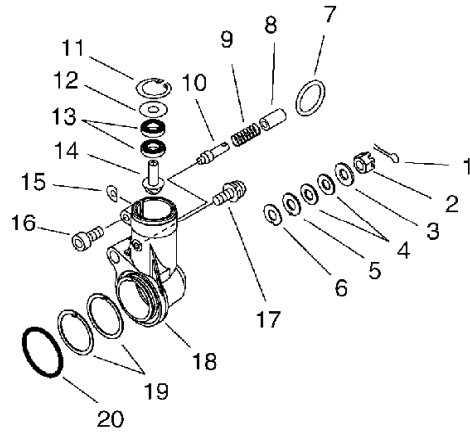
KEY	LV	PART NUMBER	Q'TY	DESCRIPTION	REMARKS	NOTE1	NOTE2
1		890617-12361	1	LABEL, CAUTION			
2		890152-04930	2	LABEL, CAUTION			
3		P021-008322	1	FRONT HANDLE ASY			
4	+	900242-05040	2	SCREW 5*40	5*40		
5	+	C423-000190	1	FIXTURE,HANDLE			
6		163401-55631	1	SWITCH, IGNITION		Disuse	
7		178013-52630	1	SPRING, THR. LOCK			
8		178090-52632	1	LOCKOUT, T. CONTROL			
9		178012-52730	1	LOCKOUT, THROTTLE			
10		178003-52130	1	BRACKET SET,THROTTLE			
11	+	900500-00005	2	NUT 5	5		
12	+	900242-05035	1	SCREW 5*35	5*35		
13	+	900242-05025	1	SCREW 5*25	5*25		
14		351213-52130	1	GRIP			
15		178043-42230	1	SPRING, THR. RETURN			
16		178010-52130	1	CONTROL, THROTTLE			
17		301200-29430	1	BAND ASSY			
18	+	900242-05014	1	SCREW 5*14	5*14		
19		610272-52130	1	BAND			
11	+	900500-00005	1	NUT 5	5		
20	+	900242-05028	1	SCREW 5*28	5*28		
21		C050-000350	1	PIPE ASY, MAIN	25*844MM		
22		610013-21560	1	SHAFT, FLEXIBLE			
23		V430-000730	1	CABLE,BOWDEN		Sus. by V043-000190	

11. Handle(Sr/Nr 36003375 and after)



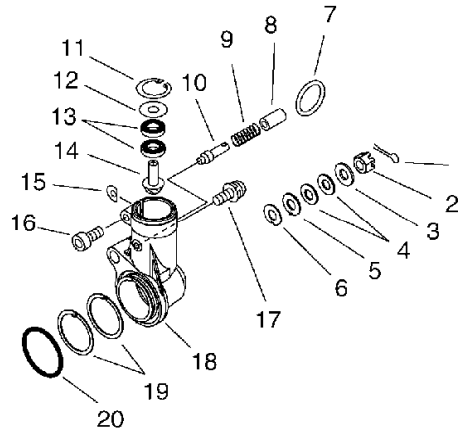
KEY	LV	PART NUMBER	Q'TY	DESCRIPTION	REMARKS	NOTE1	NOTE2
23		V043-000190	1	CABLE ASY, CONTROL		Sus. by V043-000191	
24		178127-21360	1	TUBE	7*10*120	Disuse	
25		890157-39130	1	LABEL, SWITCH			
26		178121-43230	1	BAND	CV-150 BL		

12. Gear Case, Cutter, Tools(Sr/Nr 36003374 and before)



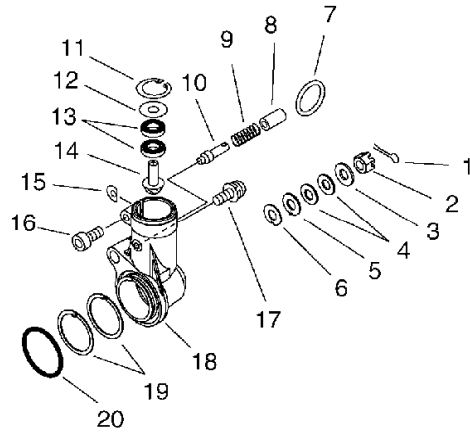
KEY	LV	PART NUMBER	Q'TY	DESCRIPTION	REMARKS	NOTE1	NOTE2
		P021-010520	1	CASE ASY, GEAR			
1	+	93000-16180	1	PIN SPLIT	P-1.6*18		
2	+	900529-00008	1	NUT, SLOTT 8			
3	+	V306-000140	1	WASHER,CIRCULAR 8			
4	+	V347-000010	2	WASHER,CONICAL			
5	+	V340-000110	1	WASHER			
6	+	V110-000040	1	GASKET,GEAR CASE	CIRCULAR 17MM OD		
7	+	V583-000050	1	RING			
8	+	V355-000310	1	COLLAR,8			
9	+	V450-000420	1	SPRING,COMPRESSION			
10	+	V642-000020	1	PIN,LINCH			
11	+	900702-00022	1	CIRCLIP 22	CR-22		
12	+	V583-000060	1	RING			
13	+	900859-06900	2	BEARING, BALL 6900	6900		
14	+	V651-000240	1	GEAR,BEVEL	12 TEETH		
15	+	V340-000170	1	WASHER			
16	+	900162-05025	1	BOLT, H.S. 5*25	5*25 W,SW		
17	+	900242-05012	1	SCREW 5*12	5*12		
18	+	C531-000292	1	CASE,GEAR			
19	+	V340-000120	2	WASHER			
20	+	900724-00032	1	O-RING	S-32		
21	+	900162-04012	8	BOLT, H.S. 4*12	4*12 W,SW	Qty 8-> 2 Sus. by 900162-04014 x 6	
22	+	C629-000020	1	STOPPER, ROTATION			

12. Gear Case, Cutter, Tools(Sr/Nr 36003374 and before)



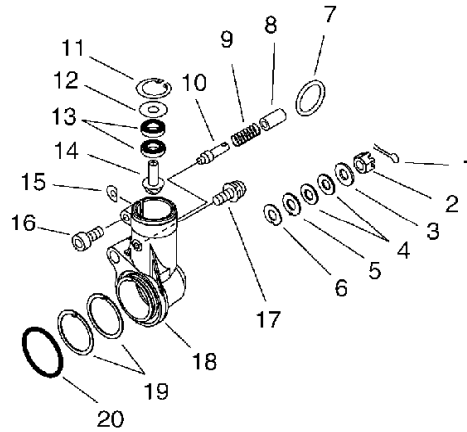
KEY	LV	PART NUMBER	Q'TY	DESCRIPTION	REMARKS	NOTE1	NOTE2
23	+	900212-04012	2	SCREW 4*12	+SF4*12		
24	+	C465-000010	1	RESETTER, LATCH			
25	+	900560-00004	4	LOCKNUT	4		
26	+	900605-00004	2	WASHER, SPRING 4	4		
27	+	900105-05008	4	BOLT, H.S. 5*8	5*8		
28	+	C531-000302	1	CASE, GEAR	DRIVEN SIDE		
29	+	900560-00005	2	NUT, LOCK 5	5		
30	+	900600-00005	2	WASHER 5	5		
31	+	351305-12360	1	HANDLE			
32	++	351315-12360	1	GRIP, HANDLE	19*135		
33	+	900142-05028	2	BOLT 5*28 (W/W,SW)	5*28		
34	+	C534-000260	1	SHAFT, GEAR			
35	+	V651-000250	1	GEAR, BEVEL	25 TEETH		
36	+	V307-000150	2	WASHER, CIRCULAR 10	10.2*15.5*T=1		
37	+	V555-000040	2	BEARING, NEEDLE 10			
38	+	900516-00005	2	NUT, FRANGE 5	5		
39	+	880110-10860	2	NIPPLE, GREASE			
40	+	V541-000130	2	SEAL			
41	+	900855-06900	1	BEARING, BALL 6900	6900		
42	+	V583-000040	1	RING			
43	+	V651-000260	1	GEAR, BEVEL	35 TEETH		
44	+	900800-06001	1	BEARING, BALL 6001	6001		
45	+	C503-000072	1	HOLDER, BEARING	28 BEARING SEAT		
46	+	C532-000140	2	ROD, CONNECTING	YAMASAKI		

12. Gear Case, Cutter, Tools(Sr/Nr 36003374 and before)



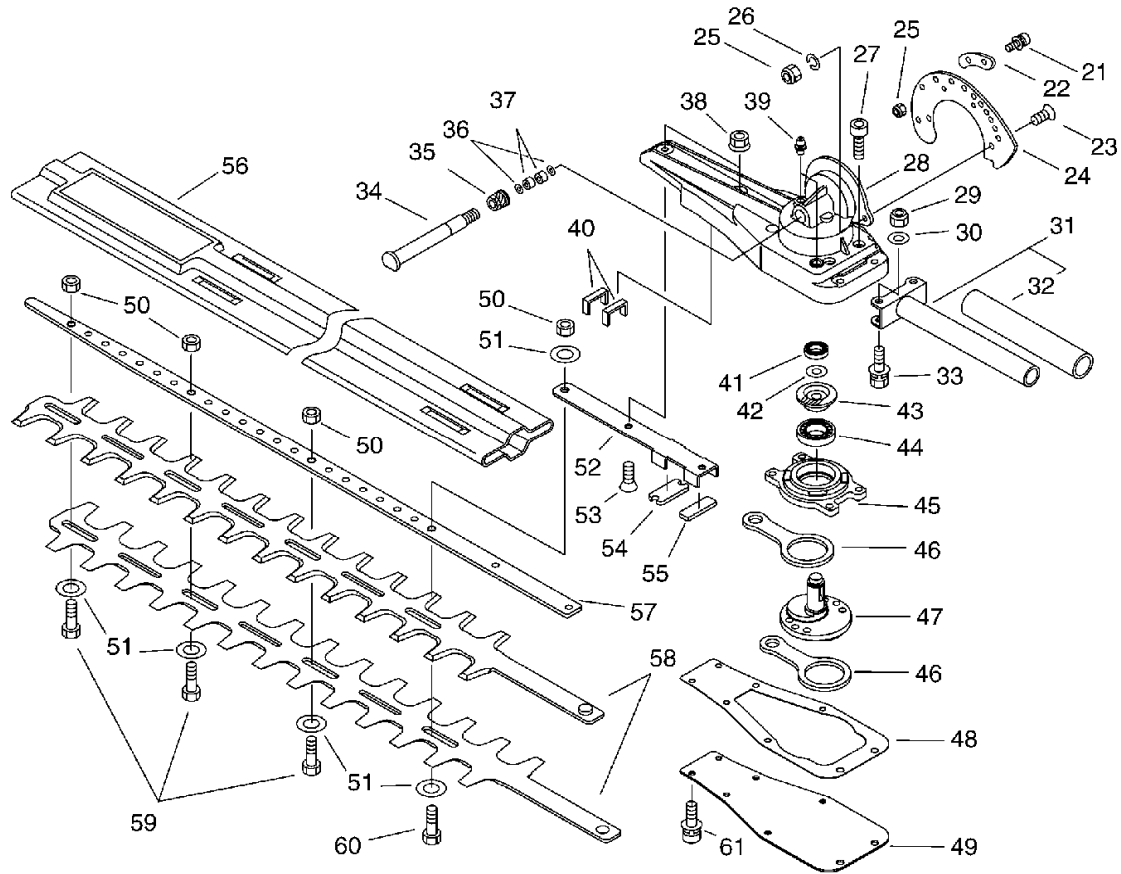
KEY	LV	PART NUMBER	Q'TY	DESCRIPTION	REMARKS	NOTE1	NOTE2
47	+	C533-000041	1	CAM	HCA		
48	+	V110-000051	1	GASKET,GEAR CASE	HCA GEARCASE LID		
49	+	C539-000010	1	LID,GEARCASE	HCA-260 G.C.		
50	+	433022-06460	4	NUT			
51	+	699118-04560	5	WASHER			
52	+	C538-000120	1	GUIDE,CUTTER			
53	+	900212-05020	2	SCREW 5*20	+SF5*20		
54	+	C538-000110	1	GUIDE,CUTTER			
55	+	C538-000100	1	GUIDE,CUTTER			
56	+	X495-000080	1	SCABBARD,BLADE	L=540	Sus. by X495-000200	
57	+	X425-000220	1	SUPPORT,CUTTER	T=3.0		
58	+	X411-000350	2	CUTTER	L= 570		
59	+	699115-04660	3	BOLT 6	6*18L		
60	+	699115-07760	1	BOLT, CUTTER			

13. Gear Case, Cutter, Tools(Sr/Nr 36003375 and after)



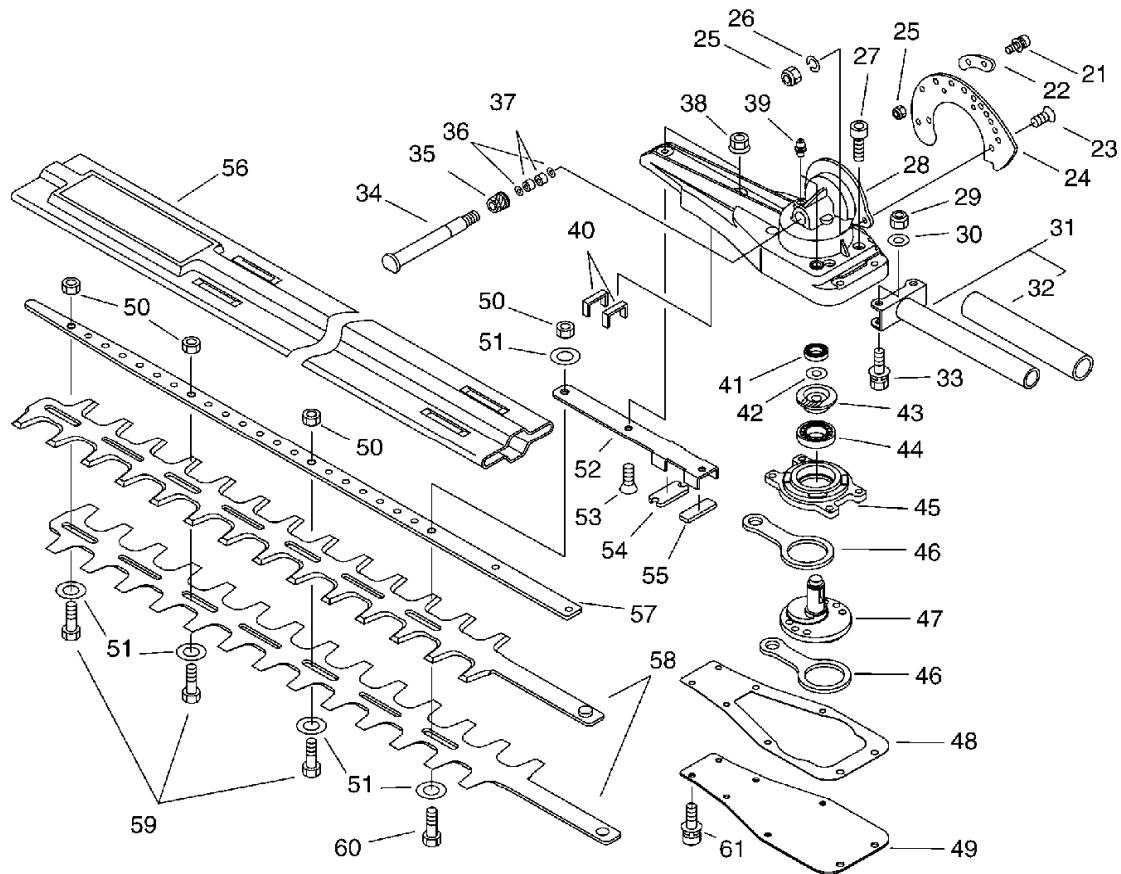
KEY	LV	PART NUMBER	Q'TY	DESCRIPTION	REMARKS	NOTE1	NOTE2
		P021-010520	1	CASE ASY, GEAR			
1	+	93000-16180	1	PIN SPLIT	P-1.6*18		
2	+	900529-00008	1	NUT, SLOTT 8			
3	+	V306-000140	1	WASHER,CIRCULAR 8			
4	+	V347-000010	2	WASHER,CONICAL			
5	+	V340-000110	1	WASHER			
6	+	V110-000040	1	GASKET,GEAR CASE	CIRCULAR 17MM OD		
7	+	V583-000050	1	RING			
8	+	V355-000310	1	COLLAR,8			
9	+	V450-000420	1	SPRING,COMPRESSION			
10	+	V642-000020	1	PIN,LINCH			
11	+	900702-00022	1	CIRCLIP 22	CR-22		
12	+	V583-000060	1	RING			
13	+	900859-06900	2	BEARING, BALL 6900	6900		
14	+	V651-000240	1	GEAR,BEVEL	12 TEETH		
15	+	V340-000170	1	WASHER			
16	+	900162-05025	1	BOLT, H.S. 5*25	5*25 W,SW		
17	+	900242-05012	1	SCREW 5*12	5*12		
18	+	C531-000292	1	CASE,GEAR			
19	+	V340-000120	2	WASHER			
20	+	900724-00032	1	O-RING	S-32		

14. Gear Case, Cutter, Tools(Sr/Nr 36003375 and after)



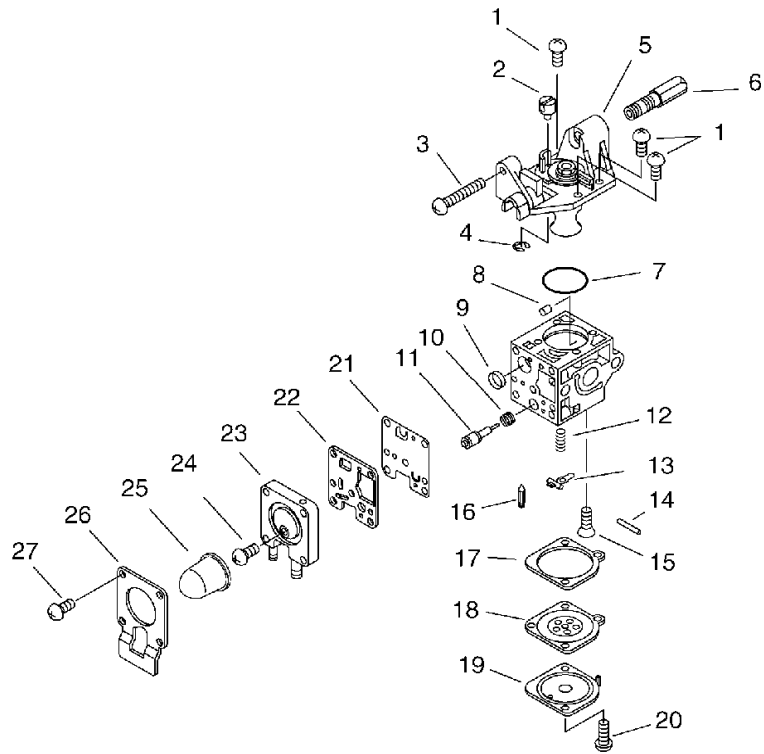
KEY	LV	PART NUMBER	Q'TY	DESCRIPTION	REMARKS	NOTE1	NOTE2
21	+	900162-04012	2	BOLT, H.S. 4*12	4*12 W,SW		
22	+	C629-000020	1	STOPPER, ROTATION			
23	+	900212-04012	2	SCREW 4*12	+SF4*12		
24	+	C465-000010	1	RESETTER, LATCH			
25	+	900560-00004	4	LOCKNUT	4		
26	+	900605-00004	2	WASHER, SPRING 4	4		
27	+	900105-05008	4	BOLT, H.S. 5*8	5*8		
28	+	C531-000302	1	CASE, GEAR	DRIVEN SIDE		
29	+	900560-00005	2	NUT, LOCK 5	5		
30	+	900600-00005	2	WASHER 5	5		
31	+	351305-12360	1	HANDLE			
32	++	351315-12360	1	GRIP, HANDLE	19*135		
33	+	900142-05028	2	BOLT 5*28 (W/W,SW)	5*28		
34	+	C534-000260	1	SHAFT, GEAR			
35	+	V651-000250	1	GEAR, BEVEL	25 TEETH		
36	+	V307-000150	2	WASHER, CIRCULAR 10	10.2*15.5*T=1		
37	+	V555-000040	2	BEARING, NEEDLE 10			
38	+	900516-00005	2	NUT, FRANGE 5	5		
39	+	880110-10860	2	NIPPLE, GREASE			
40	+	V541-000130	2	SEAL			
41	+	900855-06900	1	BEARING, BALL 6900	6900		
42	+	V583-000040	1	RING			
43	+	V651-000260	1	GEAR, BEVEL	35 TEETH		
44	+	900800-06001	1	BEARING, BALL 6001	6001		

14. Gear Case, Cutter, Tools(Sr/Nr 36003375 and after)



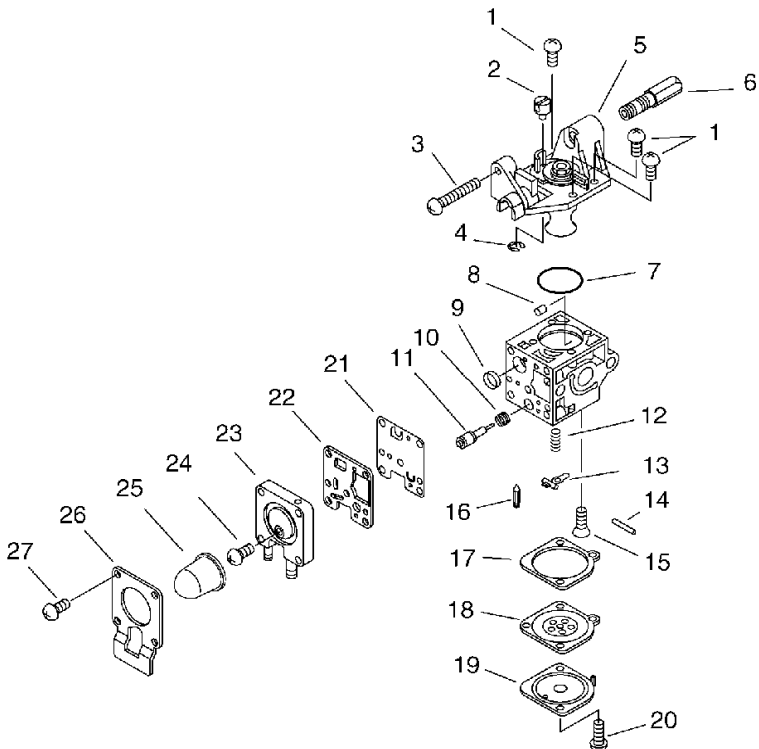
KEY	LV	PART NUMBER	Q'TY	DESCRIPTION	REMARKS	NOTE1	NOTE2
45	+	C503-000072	1	HOLDER,BEARING	28 BEARING SEAT		
46	+	C532-000140	2	ROD, CONNECTING	YAMASAKI		
47	+	C533-000041	1	CAM	HCA		
48	+	V110-000051	1	GASKET,GEAR CASE	HCA GEARCASE		
49	+	C539-000010	1	LID,GEARCASE	LID HCA-260 G.C.		
50	+	433022-06460	4	NUT			
51	+	699118-04560	5	WASHER			
52	+	C538-000120	1	GUIDE,CUTTER			
53	+	900212-05020	2	SCREW 5*20	+SF5*20		
54	+	C538-000110	1	GUIDE,CUTTER			
55	+	C538-000100	1	GUIDE,CUTTER			
56	+	X495-000080	1	SCABBARD,BLADE	L=540	Sus. by X495-000200	
56	+	X495-000200	1	SCABBARD,BLADE	L=540 (HCAS2200)		
57	+	X425-000220	1	SUPPORT,CUTTER	T=3.0		
58	+	X411-000350	2	CUTTER	L= 570		
59	+	699115-04660	3	BOLT 6	6*18L		
60	+	699115-07760	1	BOLT, CUTTER			
61	+	900162-04014	6	BOLT, H.S. 4*14	4*14 W,SW		

15. Carburetor(Sr/Nr 36003549 and before)



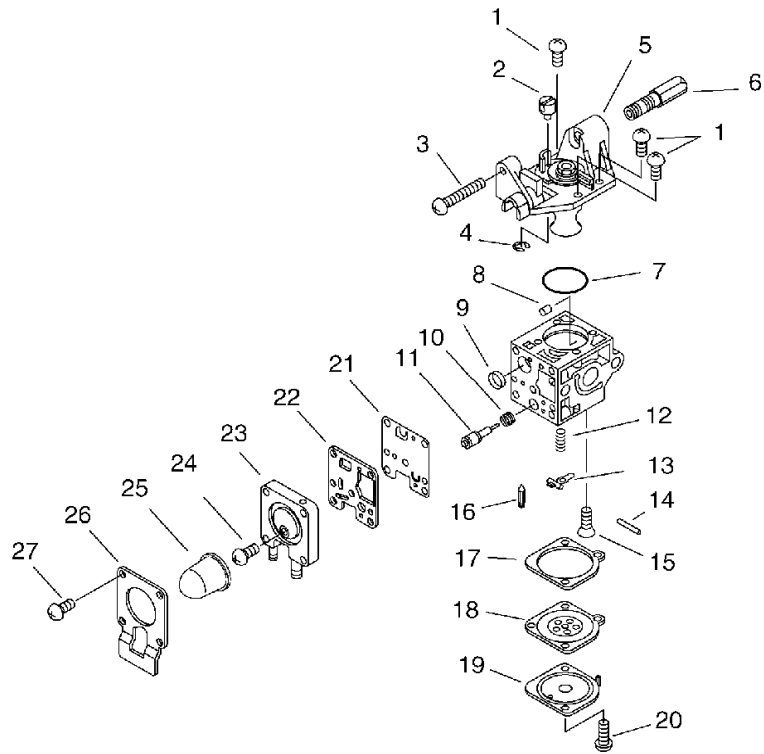
KEY	LV	PART NUMBER	Q'TY	DESCRIPTION	REMARKS	NOTE1	NOTE2
		A021-000740	1	CARBURETOR,DIAPHRAGM	RB-75		
1	+	125344-13931	3	SCREW			
2	+	P005-001240	1	POST			
3	+	P005-000100	1	SCREW,THROTTLADJUST			
4	+	P005-000190	1	E-RING			
5	+	P005-001320	1	COVER ASY, ROTOR			
6	+	P005-001330	1	SCREW, WIRE ADJUST			
7	+	P005-000280	1	O-RING			
8	+	P005-001000	1	ROLLER, GUIDE			
9	+	P005-000010	1	STRAINER			
10	+	P005-001260	1	SCREW,MAINN MIXTURE			
11	+	P005-001250	1	RETAINER,PLUG BALL			
12	+	P005-000940	1	SPRING, METER. LEVER			
13	+	125323-08260	1	ARM, VALVE			
14	+	125338-13930	1	PIN, METERING ARM			
15	+	125339-42030	1	SCREW			
16	+	125337-08260	1	VALVE, INLET NEEDLE			
17	+	P005-000200	1	GASKET, METERING			
18	+	P005-001780	1	DIAPHRAGM			
19	+	125342-52130	1	COVER, DIAPHRAGM			
20	+	125344-52130	2	SCREW			
21	+	P005-000510	1	DIAPHRAGM, PUMP			
22	+	P005-000520	1	GASKET, PUMP			
23	+	P005-000930	1	BASE, ASY PRIMER		Sus. by P005-001890	
24	+	P005-000270	1	SCREW			

15. Carburetor(Sr/Nr 36003549 and before)



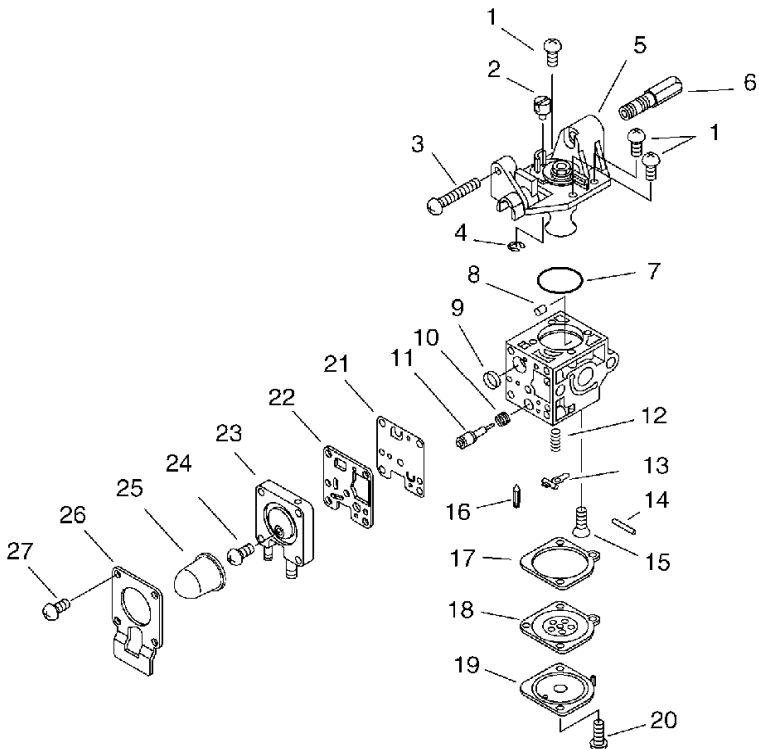
KEY	LV	PART NUMBER	Q'TY	DESCRIPTION	REMARKS	NOTE1	NOTE2
25	+	125381-46730	1	PUMP, PRIMING			
26	+	P005-000250	1	RETAINER			
27	+	P005-001900	4	SCREW			

16. Carburetor(Sr/Nr 36003550 and after)



KEY	LV	PART NUMBER	Q'TY	DESCRIPTION	REMARKS	NOTE1	NOTE2
		A021-001460	1	CARBURETOR,DIAPHRAGM	RB-K87		
1	+	125344-13931	3	SCREW			
2	+	P005-001240	1	POST			
3	+	P005-000100	1	SCREW,THROTTLADJUST			
4	+	P005-000190	1	E-RING			
5	+	P005-001320	1	COVER ASY, ROTOR			
6	+	P005-002010	1	SCREW, WIRW ADJUST			
7	+	P005-000280	1	O-RING			
8	+	P005-001000	1	ROLLER, GUIDE			
9	+	P005-000010	1	STRAINER			
10	+	P005-001260	1	SCREW,MAINN MIXTURE			
11	+	P005-001250	1	RETAINER,PLUG BALL			
12	+	P005-000940	1	SPRING, METER. LEVER			
13	+	125323-08260	1	ARM, VALVE			
14	+	125338-13930	1	PIN, METERING ARM			
15	+	125339-42030	1	SCREW			
16	+	125337-08260	1	VALVE, INLET NEEDLE			
17	+	P005-000200	1	GASKET, METERING			
18	+	P005-001780	1	DIAPHRAGM			
19	+	125342-52130	1	COVER, DIAPHRAGM			
20	+	125344-52130	2	SCREW			
21	+	P005-000510	1	DIAPHRAGM, PUMP			
22	+	P005-000520	1	GASKET, PUMP			
23	+	P005-001890	1	BASE, ASY PRIMER			
24	+	P005-000270	1	SCREW			
25	+	125381-46730	1	PUMP, PRIMING			

16. Carburetor(Sr/Nr 36003550 and after)



KEY	LV	PART NUMBER	Q'TY	DESCRIPTION	REMARKS	NOTE1	NOTE2
26	+	P005-000250	1	RETAINER			
27	+	P005-001900	4	SCREW			

17. Repair Kit

KEY	LV	PART NUMBER	Q'TY	DESCRIPTION	REMARKS	NOTE1	NOTE2
		P005-001660	1	DIAPHRAGM/GASKET KIT			
7-17	+	P005-000200	1	GASKET, METERING			
7-18	+	P005-001780	1	DIAPHRAGM			
7-21	+	P005-000510	1	DIAPHRAGM, PUMP			
7-22	+	P005-000520	1	GASKET, PUMP			
		P005-001670	1	REBUILD KIT			
7-8	+	P005-001000	1	ROLLER, GUIDE			
7-9	+	P005-000010	1	STRAINER			
7-12	+	P005-000940	1	SPRING, METER. LEVER			
7-13	+	125323-08260	1	ARM, VALVE			
7-14	+	125338-13930	1	PIN, METERING ARM			
7-16	+	125337-08260	1	VALVE, INLET NEEDLE			
7-17	+	P005-000200	1	GASKET, METERING			
7-18	+	P005-001780	1	DIAPHRAGM			
7-21	+	P005-000510	1	DIAPHRAGM, PUMP			
7-22	+	P005-000520	1	GASKET, PUMP			

Index

Patrs Number	Key No.	Patrs Number	Key No.	Patrs Number	Key No.
100013-11520	1 - 6	130310-54130	7 - 11	177202-44331	4 - 11
100013-11520	2 - 6	130313-06563	5 - 12	177215-44430	3 - 16
100014-11520	1 - 8	130313-06563	6 - 12	177215-44430	4 - 16
100014-11520	2 - 8	130313-06563	7 - 12	177218-44330	3 - 13
100015-00120	6 - 23	131004-55530	8 - 8	177218-44330	4 - 13
100015-00120	7 - 23	131004-55530	9 - 8	177220-42030	3 - 20
100015-04630	1 - 7	131016-55830	8 - 9	177220-42030	4 - 20
100015-04630	2 - 7	131016-55830	9 - 9	177226-10120	3 - 17
100204-52132	1 - 9	131051-56030	8 - 10	177226-10120	4 - 17
100204-52132	2 - 9	131051-56030	9 - 10	177227-42030	3 - 18
100212-42031	1 - 10	131205-07320	8 - 7	177227-42030	4 - 18
100212-42031	2 - 10	131205-07320	9 - 7	177228-06530	3 - 19
100215-03930	1 - 11	132011-03360	8 - 4	177228-06530	4 - 19
100215-03930	2 - 11	132011-03360	9 - 4	177234-12220	3 - 12
100242-42030	1 - 13	132012-12360	8 - 6	177234-12220	4 - 12
100242-42030	2 - 13	132012-12360	9 - 6	177236-44330	3 - 15
125323-08260	15 - 13	132012-12361	9 - 6	177236-44330	4 - 15
125323-08260	16 - 13	132012-56030	8 - 5	178003-52130	10 - 10
125323-08260	17 - 7-13	132012-56030	9 - 5	178003-52130	11 - 10
125337-08260	15 - 16	132112-22031	2 - 31	178010-52130	10 - 16
125337-08260	16 - 16	145806-42030	5 - 20	178010-52130	11 - 16
125337-08260	17 - 7-16	145806-42030	6 - 20	178012-52730	10 - 9
125338-13930	15 - 14	145806-42030	7 - 20	178012-52730	11 - 9
125338-13930	16 - 14	145862-40630	5 - 17	178013-52630	10 - 7
125338-13930	17 - 7-14	145862-40630	6 - 17	178013-52630	11 - 7
125339-42030	15 - 15	145862-40630	7 - 17	178043-42230	10 - 15
125339-42030	16 - 15	145866-42031	5 - 16	178043-42230	11 - 15
125342-52130	15 - 19	145866-42031	6 - 16	178090-52632	10 - 8
125342-52130	16 - 19	145866-42031	7 - 16	178090-52632	11 - 8
125344-13931	15 - 1	156110-54930	3 - 3	178121-43230	11 - 26
125344-13931	16 - 1	156110-54930	4 - 3	178127-21360	10 - 24
125344-52130	15 - 20	156112-40630	3 - 2	178127-21360	11 - 24
125344-52130	16 - 20	156112-40630	4 - 2	210417-52730	5 - 13
125381-46730	15 - 25	159011-03432	3 - 7	210417-52730	6 - 13
125381-46730	16 - 25	159011-03432	4 - 7	210417-52730	7 - 13
129011-52730	5 - 9	159012-01620	3 - 6	301200-29430	10 - 17
129011-52730	6 - 9	159012-01620	4 - 6	301200-29430	11 - 17
129011-52730	7 - 9	162010-52830	3 - 1	351213-52130	10 - 14
130010-13410	5 - 5	162010-52830	4 - 1	351213-52130	11 - 14
130010-13410	6 - 5	163401-55631	10 - 6	351305-12360	12 - 31
130010-13410	7 - 5	163401-55631	11 - 6	351305-12360	14 - 31
130010-42032	5 - 1	175000-56830	3 - 9	351315-12360	12 - 32
130010-42032	6 - 1	175000-56830	4 - 9	351315-12360	14 - 32
130010-42032	7 - 1	175000-56831	4 - 9	433022-06460	12 - 50
130017-44330	5 - 3	175005-48931	1 - 21	433022-06460	14 - 50
130017-44330	6 - 3	175005-48931	2 - 21	610013-21560	10 - 22
130017-44331	7 - 3	177200-54130	3 - 14	610013-21560	11 - 22
130310-54130	5 - 11	177200-54130	4 - 14	610272-52130	10 - 19
130310-54130	6 - 11	177202-44331	3 - 11	610272-52130	11 - 19

Index

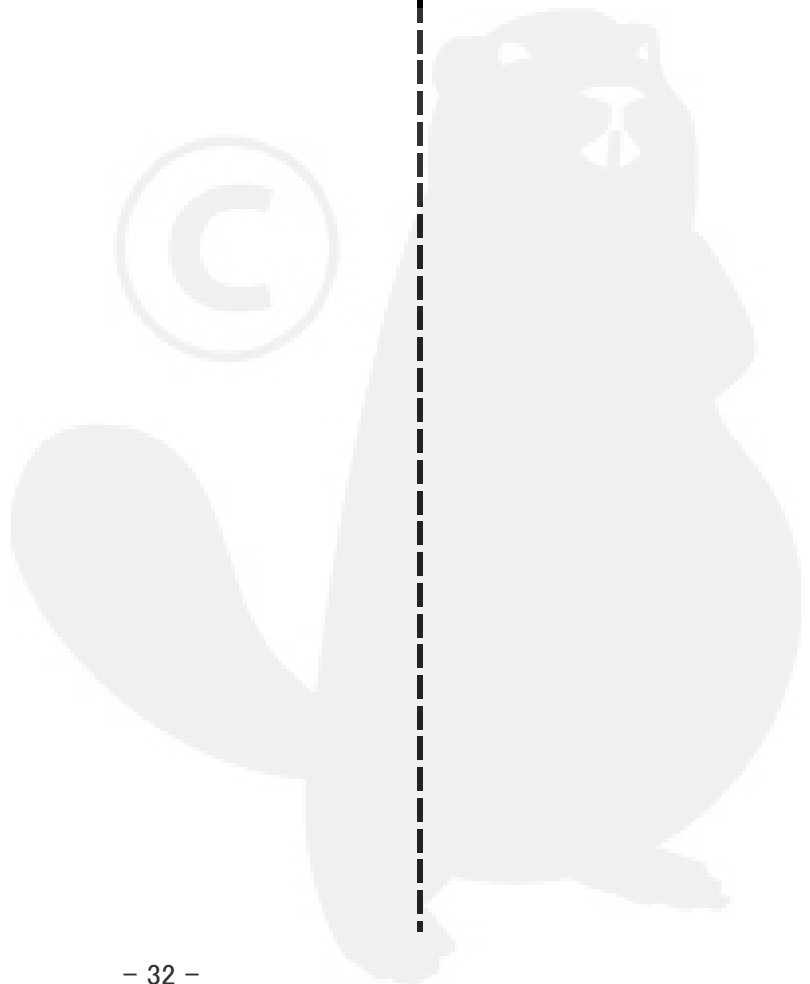
Patrs Number	Key No.	Patrs Number	Key No.	Patrs Number	Key No.
610910-55230	1 - 26	900162-05025	12 - 16	900560-00005	12 - 29
610910-55230	2 - 26	900162-05025	13 - 16	900560-00005	14 - 29
610922-27432	1 - 28	900162-05028	1 - 14	900600-00005	12 - 30
610922-27432	2 - 28	900162-05028	2 - 14	900600-00005	14 - 30
699115-04660	12 - 59	900163-04016	1 - 20	900600-00005	5 - 19
699115-04660	14 - 59	900163-04016	2 - 20	900600-00005	6 - 19
699115-07760	12 - 60	900163-04016	3 - 21	900600-00005	7 - 19
699115-07760	14 - 60	900163-04016	4 - 21	900603-00005	8 - 12
699118-04560	12 - 51	900212-04012	12 - 23	900603-00005	9 - 12
699118-04560	14 - 51	900212-04012	14 - 23	900605-00004	12 - 26
880110-10860	12 - 39	900212-05020	12 - 53	900605-00004	14 - 26
880110-10860	14 - 39	900212-05020	14 - 53	900701-00012	1 - 24
890118-49130	3 - 22	900220-05065	5 - 10	900701-00012	2 - 24
890118-49130	4 - 22	900220-05065	6 - 10	900702-00022	12 - 11
890152-04930	10 - 2	900220-05065	7 - 10	900702-00022	13 - 11
890152-04930	11 - 2	900238-05010	2 - 32	900702-00028	1 - 22
890157-39130	10 - 25	900238-05016	1 - 17	900702-00028	2 - 22
890157-39130	11 - 25	900238-05016	2 - 17	900724-00032	12 - 20
890332-52730	5 - 8	900238-05020	5 - 4	900724-00032	13 - 20
890332-52730	6 - 8	900238-05020	6 - 4	900800-06001	12 - 44
890332-52730	7 - 8	900238-05022	7 - 4	900800-06001	14 - 44
890617-12361	10 - 1	900242-04010	5 - 14	900807-96001	1 - 23
890617-12361	11 - 1	900242-04010	6 - 14	900807-96001	2 - 23
895112-00330	8 - 17	900242-04010	7 - 14	900855-06900	12 - 41
895112-00330	9 - 17	900242-05012	12 - 17	900855-06900	14 - 41
895610-00130	8 - 15	900242-05012	13 - 17	900859-06900	12 - 13
895610-00130	9 - 15	900242-05014	10 - 18	900859-06900	13 - 13
895612-03430	8 - 16	900242-05014	11 - 18	91107-04008	5 - 21
895612-03430	9 - 16	900242-05025	10 - 13	91107-04008	6 - 21
898510-39130	8 - 19	900242-05025	11 - 13	91107-04008	7 - 21
898510-39130	9 - 19	900242-05028	10 - 20	93000-16180	12 - 1
900105-05008	12 - 27	900242-05028	11 - 20	93000-16180	13 - 1
900105-05008	14 - 27	900242-05035	10 - 12	94035-36201	1 - 12
900105-05055	5 - 18	900242-05035	11 - 12	94035-36201	2 - 12
900105-05055	6 - 18	900242-05040	10 - 4	A011-000101	1 - 15
900105-05055	7 - 18	900242-05040	11 - 4	A011-000101	2 - 15
900142-05025	1 - 29	900500-00005	10 - 11	A021-000740	15 -
900142-05025	2 - 29	900500-00005	10 - 11	A021-000740	5 - 6
900142-05028	12 - 33	900500-00005	11 - 11	A021-000740	6 - 6
900142-05028	14 - 33	900500-00005	11 - 11	A021-001460	16 -
900162-04012	12 - 21	900500-00005	5 - 2	A021-001460	6 - 6
900162-04012	14 - 21	900500-00005	6 - 2	A021-001460	7 - 6
900162-04014	14 - 61	900500-00005	7 - 2	A101-000090	1 - 5
900162-04020	3 - 4	900516-00005	12 - 38	A101-000090	2 - 5
900162-04020	4 - 4	900516-00005	14 - 38	A130-000540	1 - 1
900162-05020	8 - 13	900529-00008	12 - 2	A130-000540	2 - 1
900162-05020	9 - 13	900529-00008	13 - 2	A160-000570	1 - 19
900162-05022	1 - 2	900560-00004	12 - 25	A160-000570	2 - 19
900162-05022	2 - 2	900560-00004	14 - 25	A162-000050	1 - 18

Index

Patrs Number	Key No.	Patrs Number	Key No.	Patrs Number	Key No.
A162-000050	2 - 18	P005-000190	15 - 4	P021-002861	8 - 18
A313-000580	5 - 15	P005-000190	16 - 4	P021-002861	9 - 18
A313-000580	6 - 15	P005-000200	15 - 17	P021-007712	1 - 4
A313-000580	7 - 15	P005-000200	16 - 17	P021-007712	2 - 4
A350-000291	8 - 11	P005-000200	17 - 7-17	P021-008322	10 - 3
A350-000291	9 - 11	P005-000200	17 - 7-17	P021-008322	11 - 3
A356-000030	8 - 1	P005-000250	15 - 26	P021-010510	1 - 25
A356-000030	9 - 1	P005-000250	16 - 26	P021-010510	2 - 25
A409-000210	3 - 10	P005-000270	15 - 24	P021-010520	12 -
A409-000210	4 - 10	P005-000270	16 - 24	P021-010520	13 -
A411-000140	3 - 5	P005-000280	15 - 7	P021-015350	7 - 24
A411-000140	4 - 5	P005-000280	16 - 7	V043-000190	11 - 23
A425-000000	3 - 8	P005-000510	15 - 21	V100-000160	1 - 3
A425-000000	4 - 8	P005-000510	16 - 21	V100-000160	2 - 3
A575-000100	1 - 27	P005-000510	17 - 7-21	V104-000500	5 - 22
A575-000100	2 - 27	P005-000510	17 - 7-21	V104-000500	6 - 22
C050-000350	10 - 21	P005-000520	15 - 22	V104-000500	7 - 22
C050-000350	11 - 21	P005-000520	16 - 22	V110-000040	12 - 6
C423-000190	10 - 5	P005-000520	17 - 7-22	V110-000040	13 - 6
C423-000190	11 - 5	P005-000520	17 - 7-22	V110-000051	12 - 48
C465-000010	12 - 24	P005-000930	15 - 23	V110-000051	14 - 48
C465-000010	14 - 24	P005-000940	15 - 12	V137-000030	8 - 3
C503-000072	12 - 45	P005-000940	16 - 12	V137-000030	9 - 3
C503-000072	14 - 45	P005-000940	17 - 7-12	V306-000140	12 - 3
C531-000292	12 - 18	P005-001000	15 - 8	V306-000140	13 - 3
C531-000292	13 - 18	P005-001000	16 - 8	V307-000150	12 - 36
C531-000302	12 - 28	P005-001000	17 - 7-8	V307-000150	14 - 36
C531-000302	14 - 28	P005-001240	15 - 2	V340-000110	12 - 5
C532-000140	12 - 46	P005-001240	16 - 2	V340-000110	13 - 5
C532-000140	14 - 46	P005-001250	15 - 11	V340-000120	12 - 19
C533-000041	12 - 47	P005-001250	16 - 11	V340-000120	13 - 19
C533-000041	14 - 47	P005-001260	15 - 10	V340-000170	12 - 15
C534-000260	12 - 34	P005-001260	16 - 10	V340-000170	13 - 15
C534-000260	14 - 34	P005-001320	15 - 5	V347-000010	12 - 4
C538-000100	12 - 55	P005-001320	16 - 5	V347-000010	13 - 4
C538-000100	14 - 55	P005-001330	15 - 6	V355-000310	12 - 8
C538-000110	12 - 54	P005-001660	17 -	V355-000310	13 - 8
C538-000110	14 - 54	P005-001670	17 -	V430-000730	10 - 23
C538-000120	12 - 52	P005-001780	15 - 18	V430-000730	11 - 23
C538-000120	14 - 52	P005-001780	16 - 18	V450-000420	12 - 9
C539-000010	12 - 49	P005-001780	17 - 7-18	V450-000420	13 - 9
C539-000010	14 - 49	P005-001780	17 - 7-18	V471-001200	8 - 2
C629-000020	12 - 22	P005-001890	16 - 23	V471-001200	9 - 2
C629-000020	14 - 22	P005-001900	15 - 27	V541-000130	12 - 40
P005-000010	15 - 9	P005-001900	16 - 27	V541-000130	14 - 40
P005-000010	16 - 9	P005-002010	16 - 6	V553-000010	1 - 16
P005-000010	17 - 7-9	P021-000991	5 - 7	V553-000010	2 - 16
P005-000100	15 - 3	P021-000991	6 - 7	V555-000040	12 - 37
P005-000100	16 - 3	P021-000991	7 - 7	V555-000040	14 - 37

Index

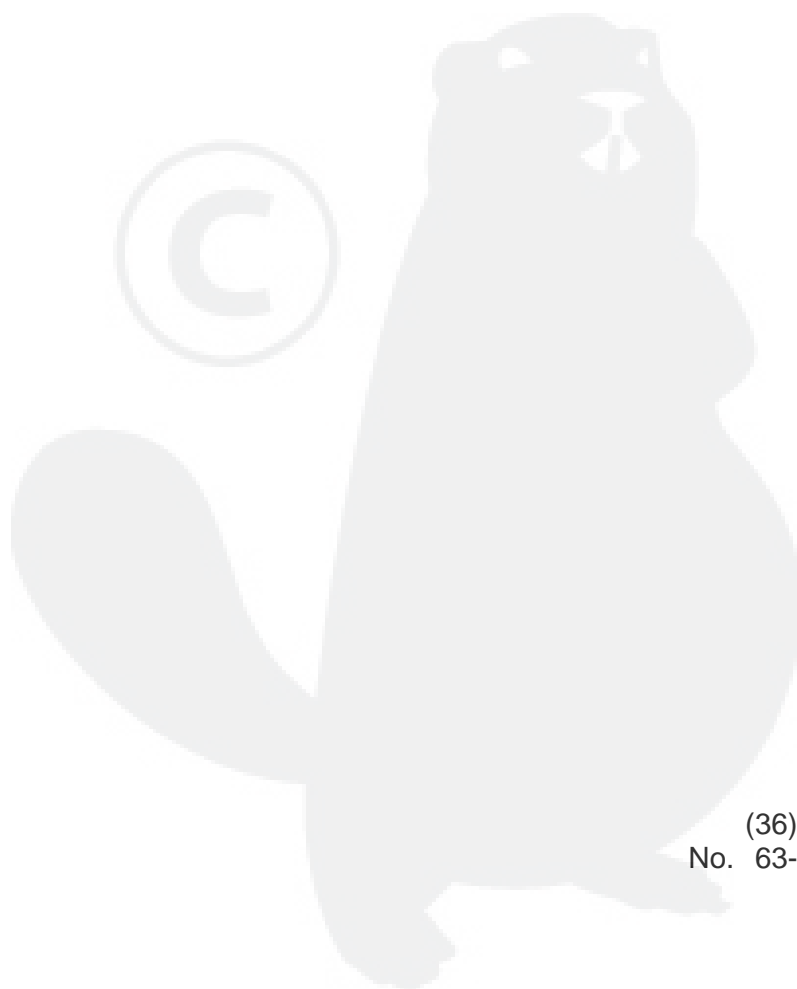
Patrs Number	Key No.	Patrs Number	Key No.	Patrs Number	Key No.
V583-000040	12 - 42				
V583-000040	14 - 42				
V583-000050	12 - 7				
V583-000050	13 - 7				
V583-000060	12 - 12				
V583-000060	13 - 12				
V642-000020	12 - 10				
V642-000020	13 - 10				
V651-000240	12 - 14				
V651-000240	13 - 14				
V651-000250	12 - 35				
V651-000250	14 - 35				
V651-000260	12 - 43				
V651-000260	14 - 43				
X411-000350	12 - 58				
X411-000350	14 - 58				
X425-000220	12 - 57				
X425-000220	14 - 57				
X495-000080	12 - 56				
X495-000080	14 - 56				
X495-000200	14 - 56				
X547-000380	1 - 30				
X547-000380	2 - 30				
X602-000020	8 - 14				
X602-000020	9 - 14				



YAMABIKO CORPORATION

7-2 SUEHIROCHO 1-CHOME, OHME, TOKYO 198-8760, JAPAN
PHONE: 81-428-32-6118. FAX: 81-428-32-6145.

ECHO®



(36)
No. 63-048