



# **PARTS CATALOG**

## **POWER PRUNER**

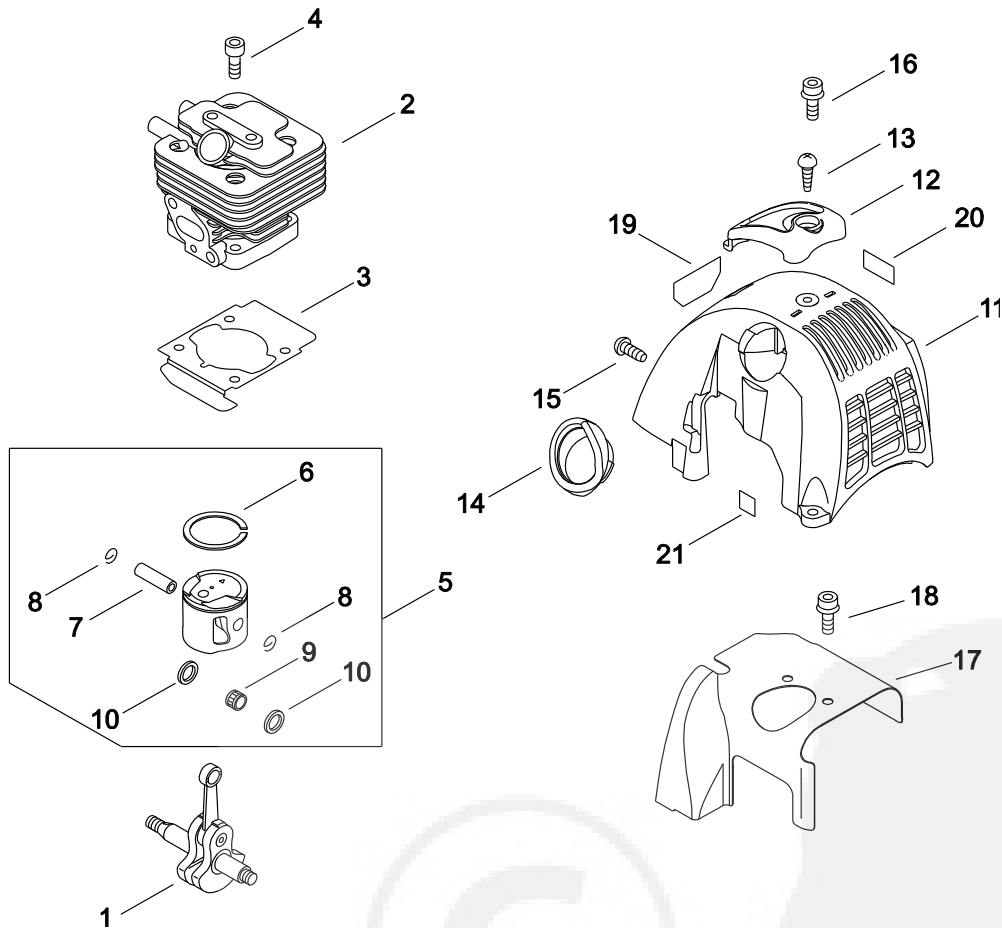
### **PPT-265ES(37)**

**37020490 -**

**CE**

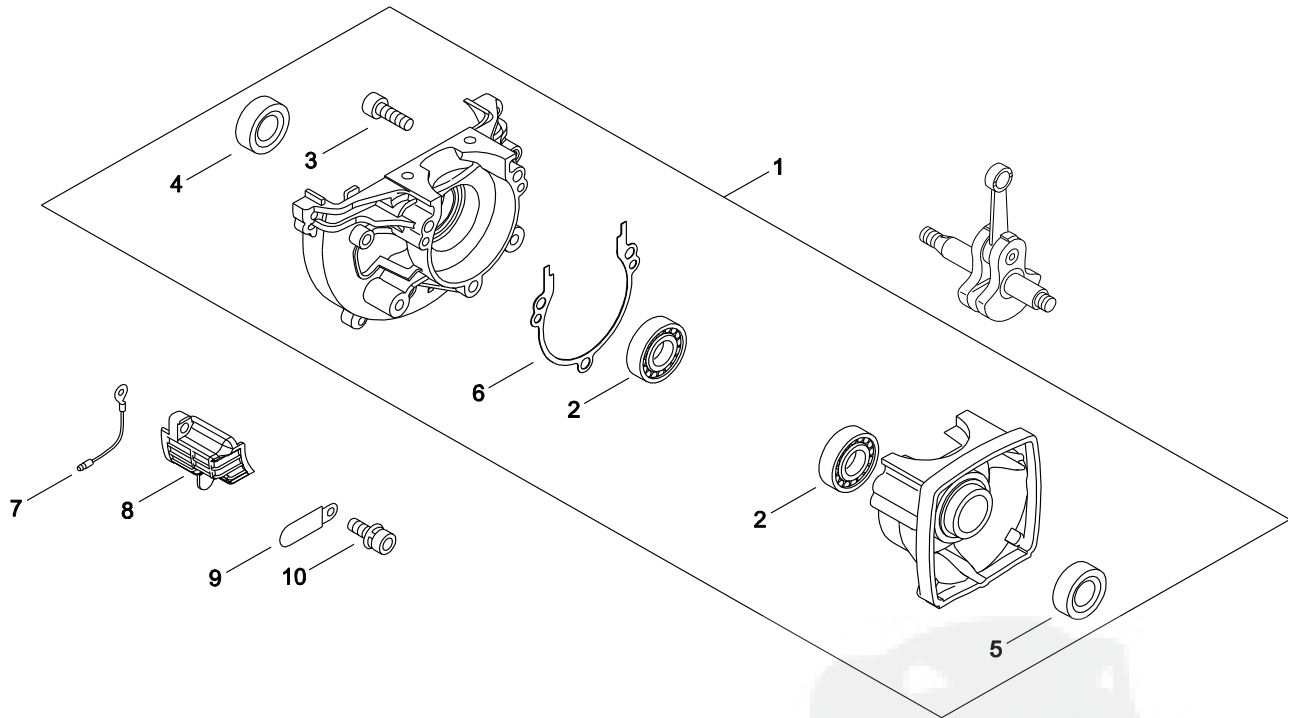
P014-000531-15H

# 1. CYLINDER, PISTON, CRANKSHAFT



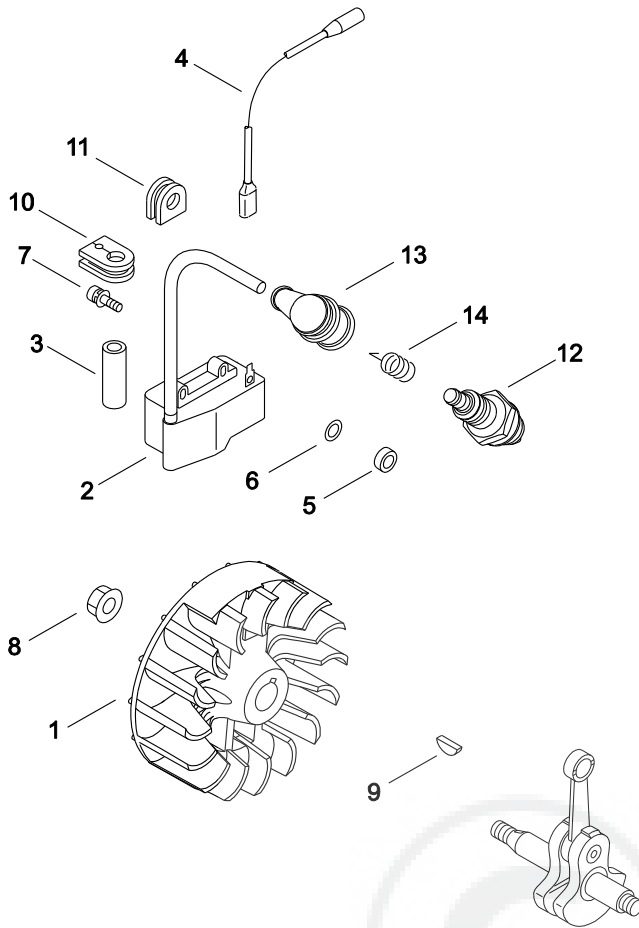
KEY	LV	PART NUMBER	Q'TY	DESCRIPTION	REMARKS	NOTE1	NOTE2
1		A011-000434	1	CRANKSHAFT,ASY			
2		A130-000761	1	CYLINDER			
3		V100-000210	1	GASKET,CYL	T0.5 38.1		
4		900162-05025	4	BOLT, H.S. 5*25	5*25 W,SW		
5		P021-009771	1	PISTON KIT			
6	+	A101-000170	1	RING, PISTON	34*1.5*1.5		
7	+	100013-35430	1	PIN, PISTON	6*9*27.8		
8	+	100015-03931	2	CIRCLIP, PISTON PIN			
9	+	100012-16131	1	BEARING, NEEDLE			
10	+	100014-53630	2	SPACER, PISTON PIN			
11		A160-000780	1	COVER,CYLINDER			
12		A162-000100	1	GUARD, TOP			
13		900256-05016	1	SCREW, TAPPING	5*16		
14		A162-000080	1	GUARD, TOP			
15		91140-05012	1	BOLT	M5*12		
16		900106-05014	1	BOLT, H.S. 5*14	5*14		
17		A160-000691	1	COVER,CYLINDER			
18		900106-05008	2	BOLT, H.S. 5* 8	5*8		
19		X547-000791	1	LABEL,ECHO	PPT-265ES		
20		X505-007710	1	LABEL,CAUTION			
21		X524-001901	1	LABEL			

## 2. CRANKCASE



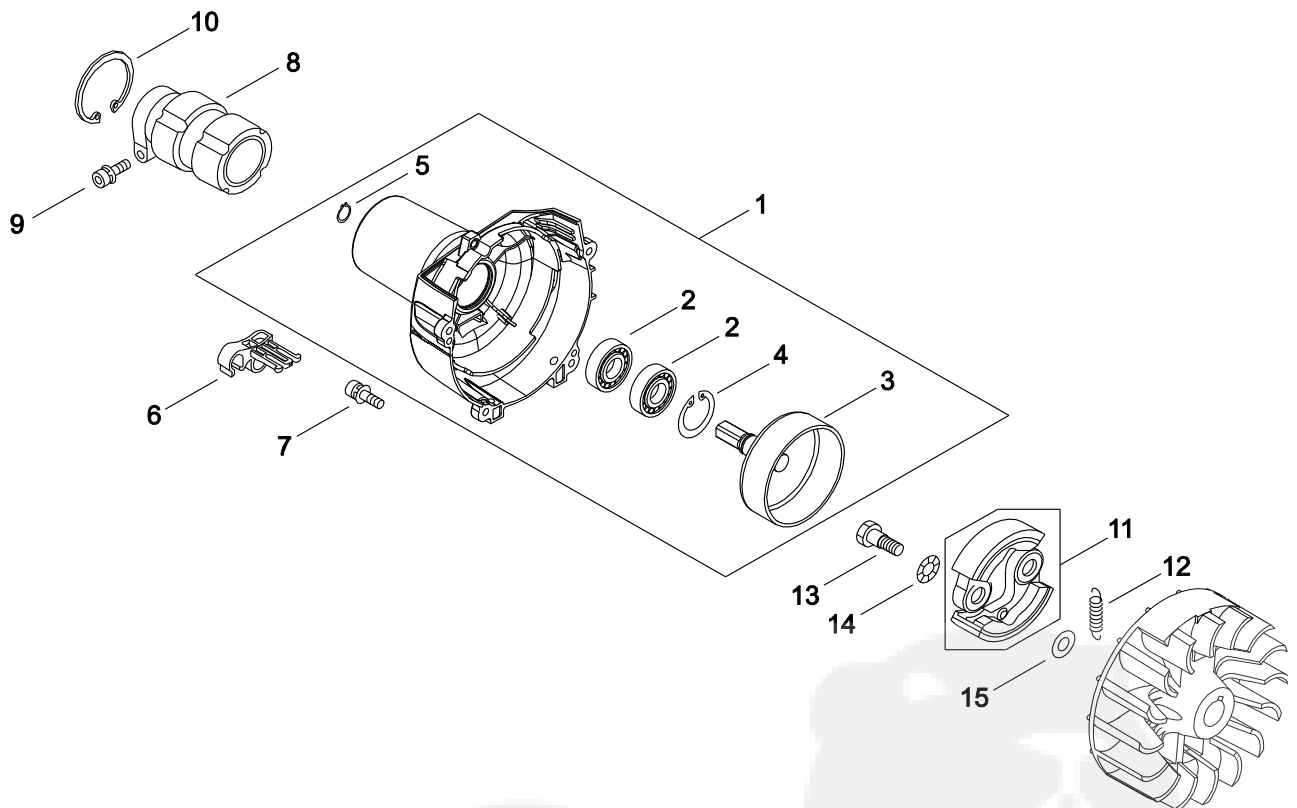
KEY	LV	PART NUMBER	Q'TY	DESCRIPTION	REMARKS	NOTE1	NOTE2
1		P021-010801	1	CRANKCASE KIT			
2	+	94035-36201	2	BEARING BALL	6201X3JR2C3		
3	+	900162-05028	3	BOLT, H.S. 5*28	5*28 W,SW		
4	+	100212-42031	1	OILSEAL	ISCD 12*22*4.5		
5	+	V505-000050	1	SEAL,OIL 12			
6	+	100242-42030	1	GASKET, CRANKCASE			
7		156635-43130	1	LEAD, GROUND			
8		A127-000160	1	COVER,DUST			
9		159116-21231	1	CLAMP			
10		900162-05016	1	BOLT, H.S. 5*16	5*16 W,SW		

### 3. MAGNETO



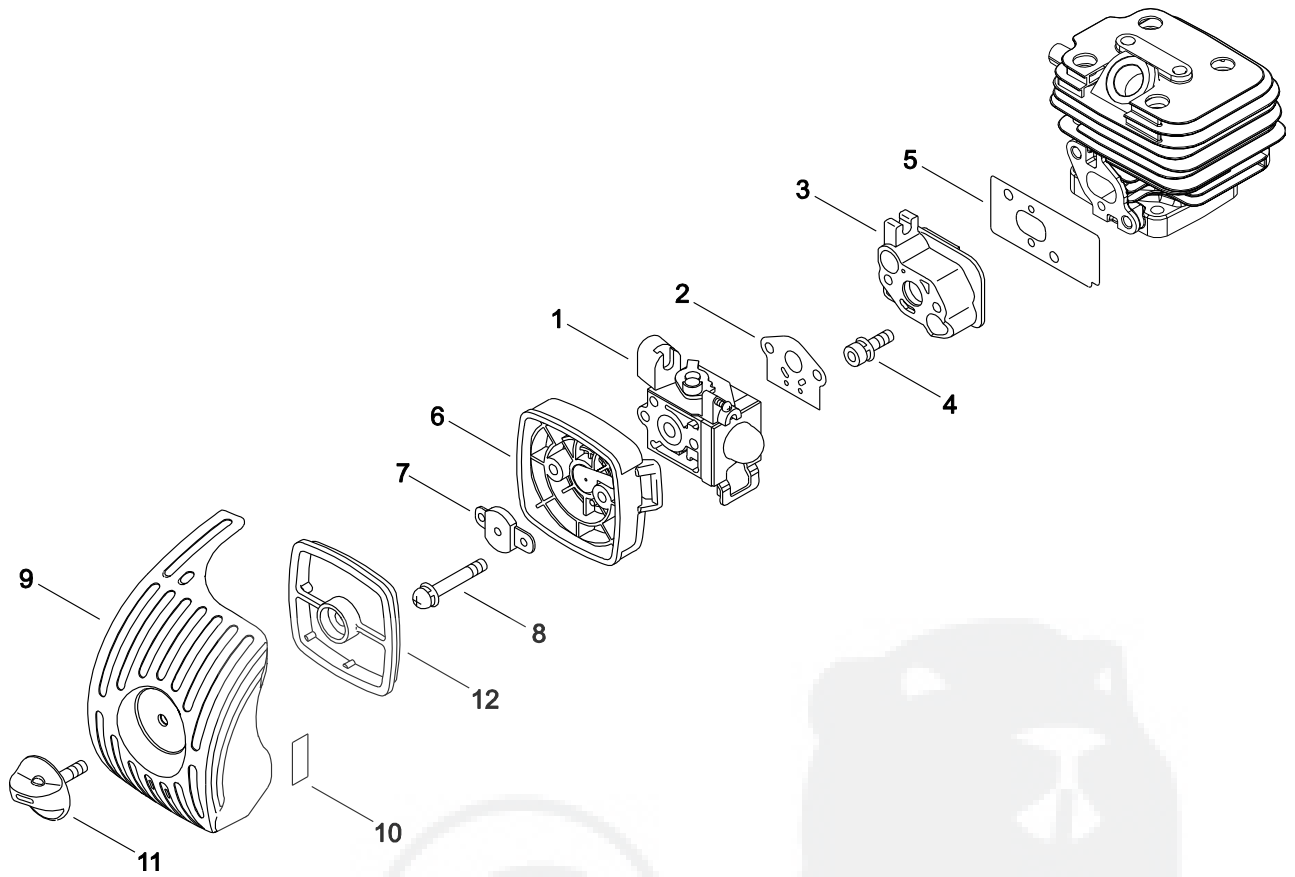
KEY	LV	PART NUMBER	Q'TY	DESCRIPTION	REMARKS	NOTE1	NOTE2
1		A409-001222	1	ROTOR, MAGNETO	ID:C10744		
2		A411-000251	1	COIL, IGNITION	ID#C10048		
3		V475-003380	1	TUBE			
4		162010-04561	1	LEAD, GROUND	210L		
5		V322-000031	2	WASHER,CIRCULAR 4			
6		900603-00004	2	WASHER 4	4.5*10*0.8		
7		V202-000130	2	BOLT,4	CBF-4*20		
8		900515-00008	1	NUT, FLANGE 8	8		
9		100142-12330	1	KEY, WOODRUFF			
10		V135-000030	1	GROMMET,HT CORD			
11		156110-04920	1	BUSHING			
12		A425-000000	1	SPARKPLUG	BPMR8Y		
13		A427-000013	1	CAP, SPARK PLUG			
14		A426-000010	1	TERMINAL,SPARKPLUG			

# 4. CLUTCH



KEY	LV	PART NUMBER	Q'TY	DESCRIPTION	REMARKS	NOTE1	NOTE2
1		P021-048230	1	COVER,FAN ASY			
2	+	94051-06001	2	BEARING, BALL	PEER RLD GREASE		
3	+	A556-001320	1	DRUM, CLUTCH	58 6.95		
4	+	900702-00028	1	CIRCLIP 28	CR-28		
5	+	900701-00012	1	CIRCLIP 12	CS-12		
6		V491-000180	1	CLIP			
7		900163-04016	4	BOLT HSH			
8		610922-55931	1	HOLDER, MAIN PIPE			
9		900162-05028	1	BOLT, H.S. 5*28	5*28 W,SW		
10		900702-00042	1	CIRCLIP 42	CR-42		
11		P021-046900	1	CLUTCH SHOE SET			
12		V451-000400	1	SPRING,TENSION			
13		175046-56030	2	SHAFT, CLUTCH			
14		175049-56030	2	WASHER	8.5*16*0.5		
15		175048-05530	2	WASHER (I)	6.2*19*1.0		

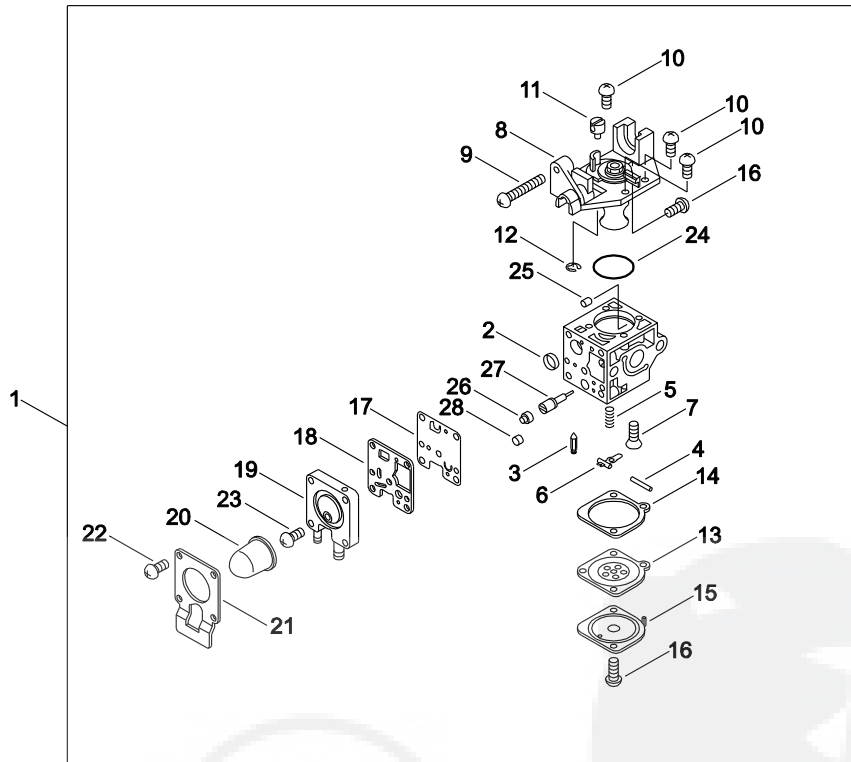
## 5. AIR CLEANER, CARBURETOR



KEY	LV	PART NUMBER	Q'TY	DESCRIPTION	REMARKS	NOTE1	NOTE2
1		A021-001742	1	CARBURETOR,DIAPHRAGM	ZAMA RB-K94		
2		V103-000270	1	GASKET,INTAKE	T1.5-11		
3		A200-000200	1	INSULATOR,INTAKE			
4		900162-05025	2	BOLT, H.S. 5*25	5*25 W,SW		
5		V103-000210	1	GASKET,INTAKE			
6		P021-049750	1	CASE, AIR CLEANER			
7		129011-52730	1	PLATE, PREVENT			
8		900242-05065	2	SCREW 5*65	5*65		
9		A232-000330	1	LID,CLEANER			
10		X506-000170	1	LABEL,CHOKE	SYMBOLS + T		
11		V299-000250	1	KNOB,FASTENER			
12		A226-001410	1	ELEMENT,AIR FILTER			



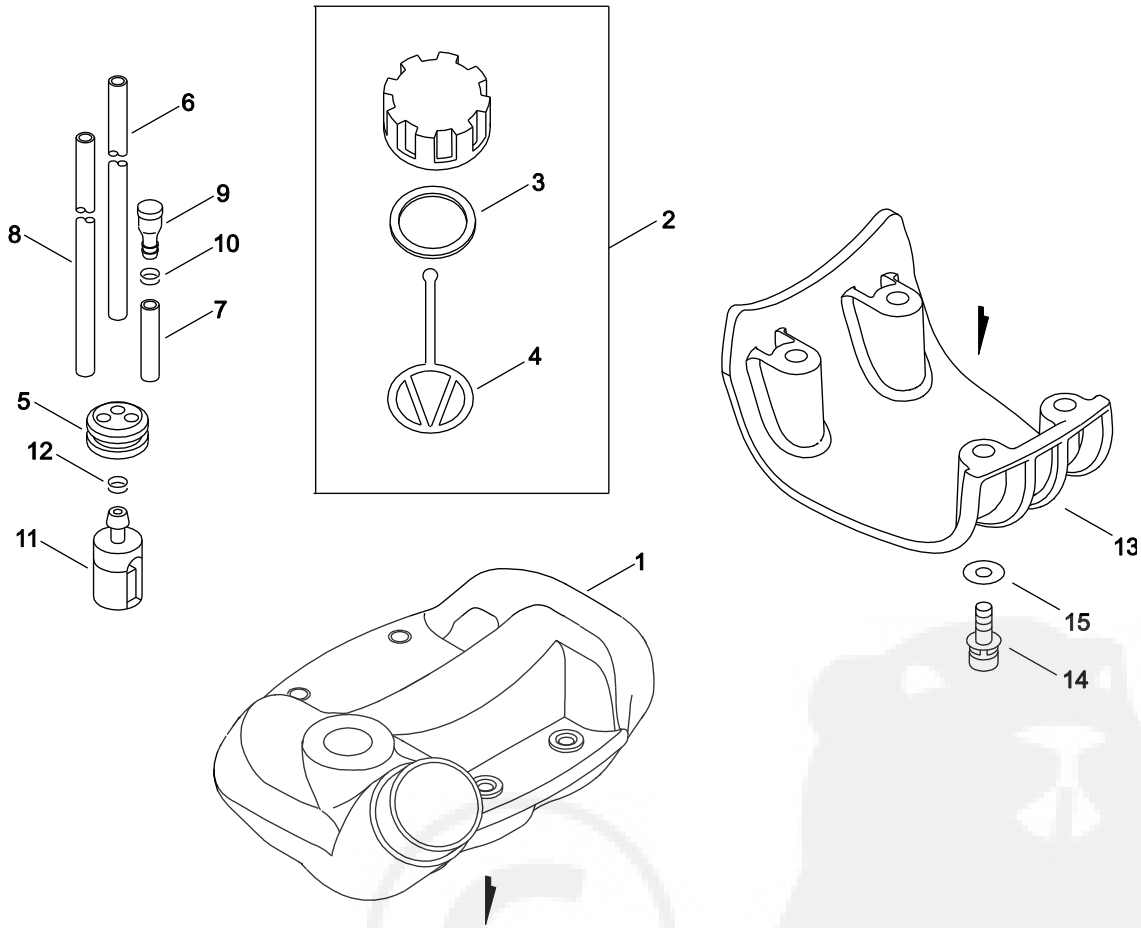
6. CARBURETOR



KEY	LV	PART NUMBER	Q'TY	DESCRIPTION	REMARKS	NOTE1	NOTE2
26	+	P005-001250	1	RETAINER,PLUG BALL			
27	+	P005-001290	1	SCREW,MAINN MIXTURE			
28	+	P005-001270	1	PLUG, H AJUST SCREW			

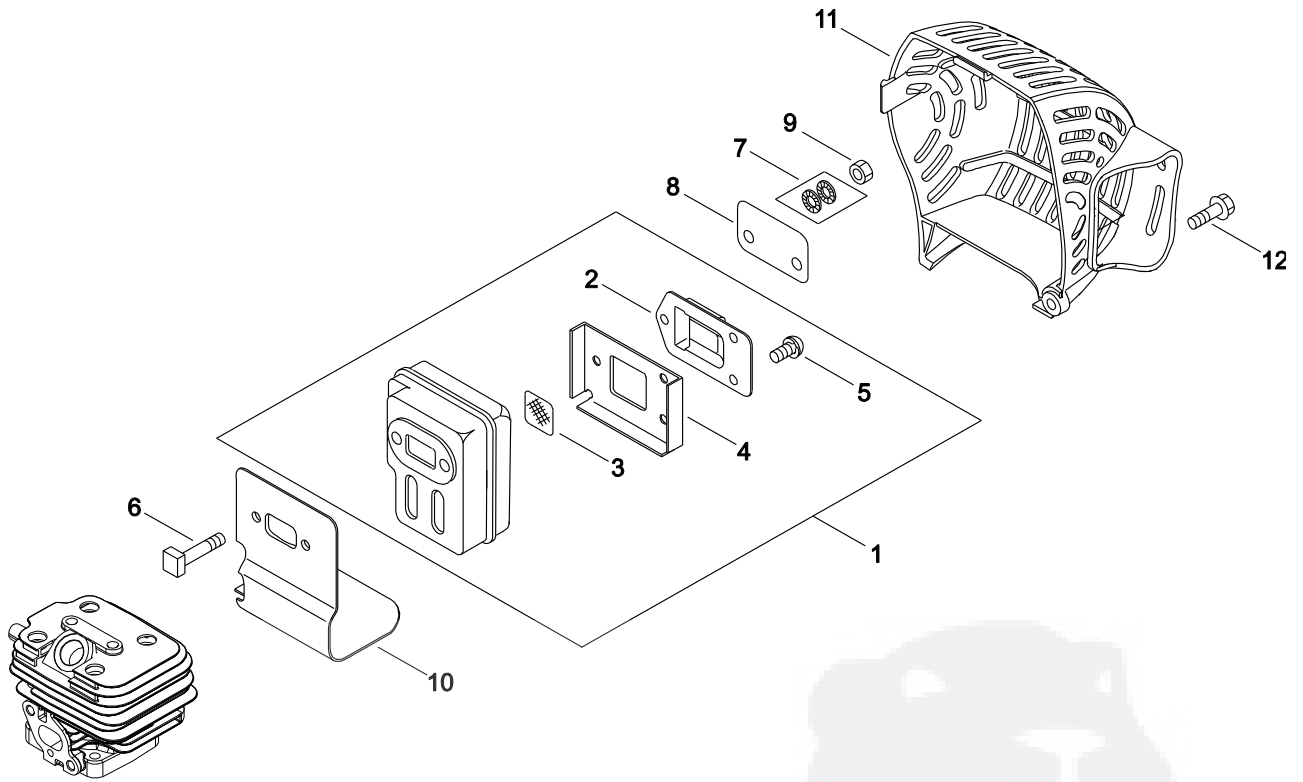


# 7. FUEL TANK



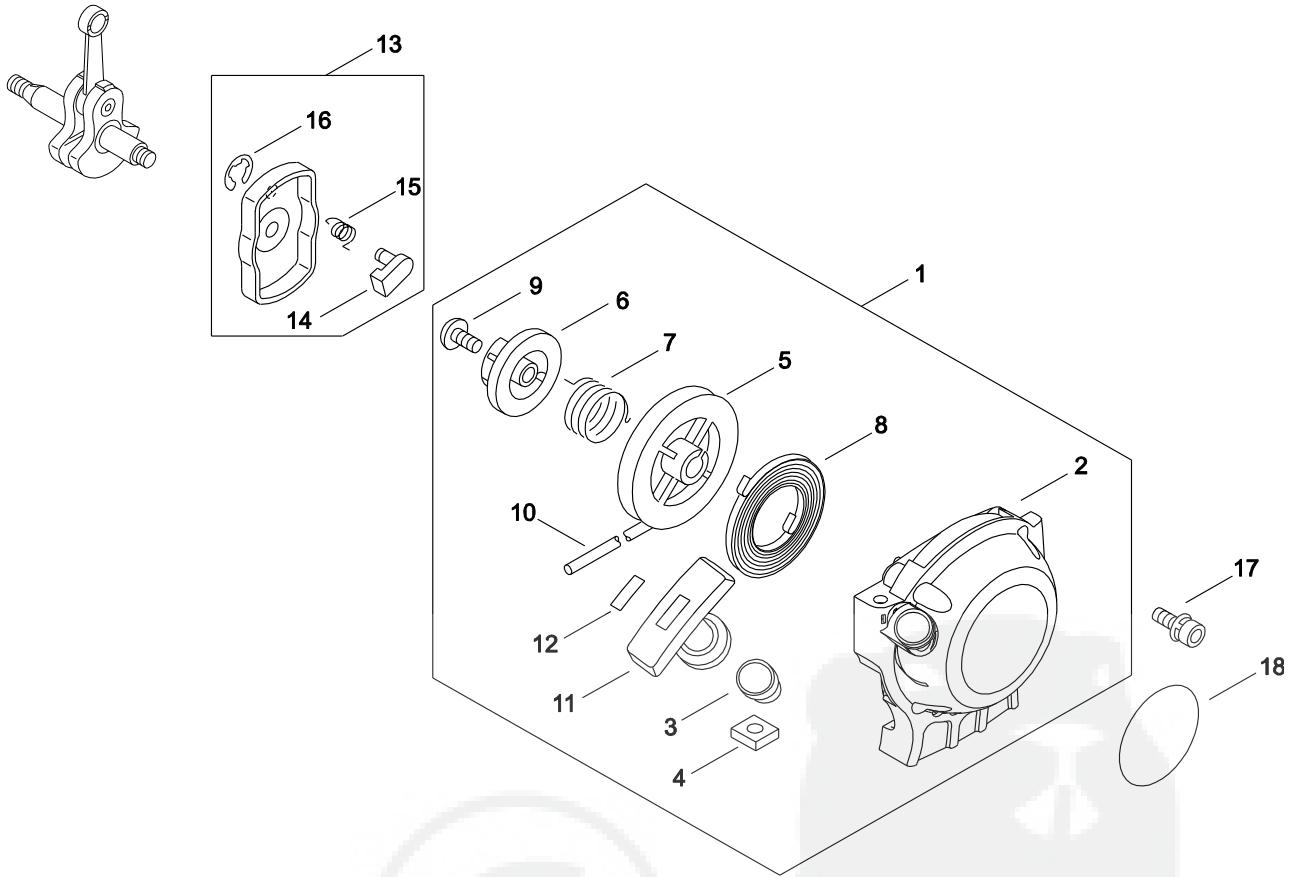
KEY	LV	PART NUMBER	QTY	DESCRIPTION	REMARKS	NOTE1	NOTE2
1		P021-013640	1	TANK,FUEL			
2		131004-55530	1	CAP ASSY, FUEL TANK			
3	+	131016-55830	1	GASKET, FUEL CAP			
4	+	131051-56030	1	CLIP, FUEL CAP	100L		
5		132115-55930	1	GROMMET, FUEL			
6		V470-000580	1	PIPE	3*5*195		
7		V471-001180	1	PIPE	3*6*35 NBR		
8		132010-40830	1	PIPE 3* 6* 75	3*6*75 YL		
9		A356-000031	1	VALVE,CHECK			
10		V490-001230	1	CLIP			
11		A369-000440	1	STRAINER, FUEL	125-952		
12		V490-001240	1	CLIP			
13		A175-000030	1	STAND			
14		900162-05025	4	BOLT, H.S. 5*25	5*25 W,SW		
15		900603-00005	4	WASHER 5	5.5*12*0.8		

# 8. MUFFLER



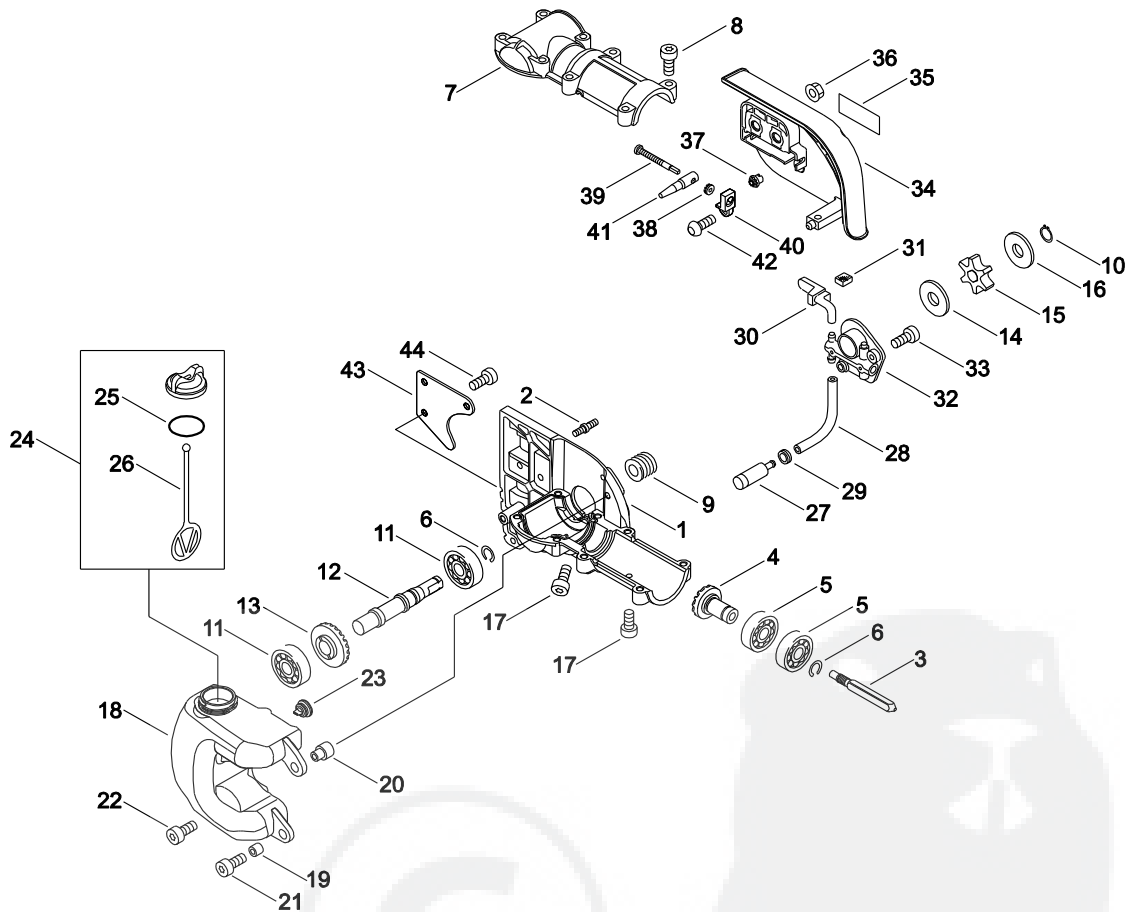
KEY	LV	PART NUMBER	Q'TY	DESCRIPTION	REMARKS	NOTE1	NOTE2
1		P021-011580	1	MUFFLER ASY			
2	+	A313-000830	1	GUIDE, EXHAUST	ID#1330		
3	+	145862-40630	1	SCREEN, MUFFLER			
4	+	V104-000790	1	GASKET, EXHAUST			
5	+	91367-04010	3	SCREW	4*10/SW(SUS)		
6		V203-000120	2	BOLT, 5	L=60		
7		92280-05000	2	WASHER, NORD-LOCK	NL5 5.4*9*1.8		
8		V150-001760	1	PLATE, EYE			
9		900500-00005	2	NUT 5	5		
10		V104-000780	1	GASKET, EXHAUST			
11		A320-000341	1	COVER, MUFFLER			
12		900106-05014	1	BOLT, H.S. 5*14	5*14		

9. RECOIL STARTER, PULLEY



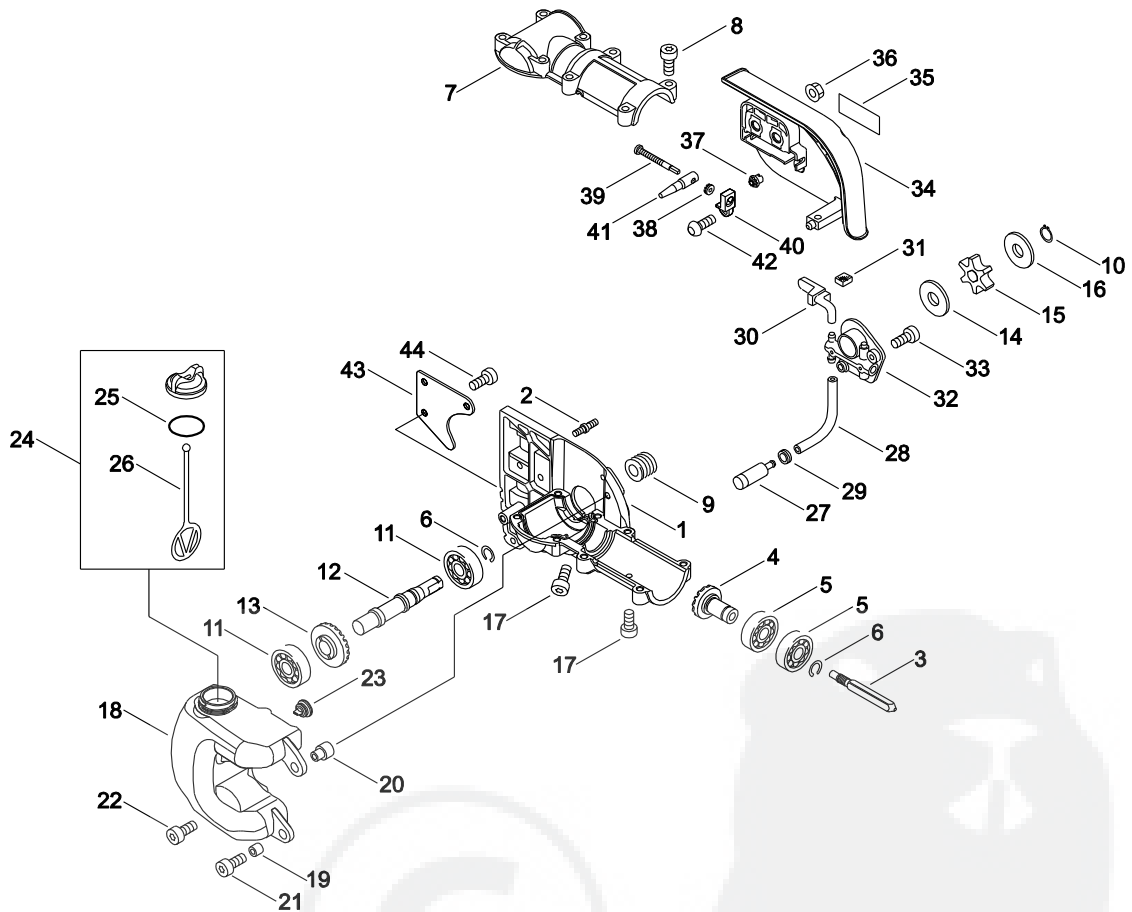
KEY	LV	PART NUMBER	Q'TY	DESCRIPTION	REMARKS	NOTE1	NOTE2
1		A051-000941	1	STARTER,RECOIL			
2	+	P022-037680	1	STARTER CASE			
3	+	177227-42030	1	GUIDE, ROPE			
4	+	900565-00005	1	NUT	5		
5	+	P022-027980	1	DRUM, STARTER			
6	+	P022-028000	1	PLATE, CAM			
7	+	P022-008270	1	SPRING,DAMPER			
8	+	177220-42030	1	SPRING, REWIND			
9	+	177236-61830	1	SCREW			
10	+	P022-008260	1	ROPE	3M/M		
11	+	177228-27030	1	GRIP, STARTER			
12	+	P022-037670	1	STOPPER, ROPE			
13		A052-000180	1	PULLEY,ASM STARTER			
14	+	P022-006850	2	PAWL, STARTER			
15	+	177234-12220	2	SPRING, RETURN			
16	+	P022-002100	2	E-RING	4		
17		900163-04016	4	BOLT HSH			
18		X502-000330	1	LABEL,ECHO	ECHO		

# 10. GEAR CASE



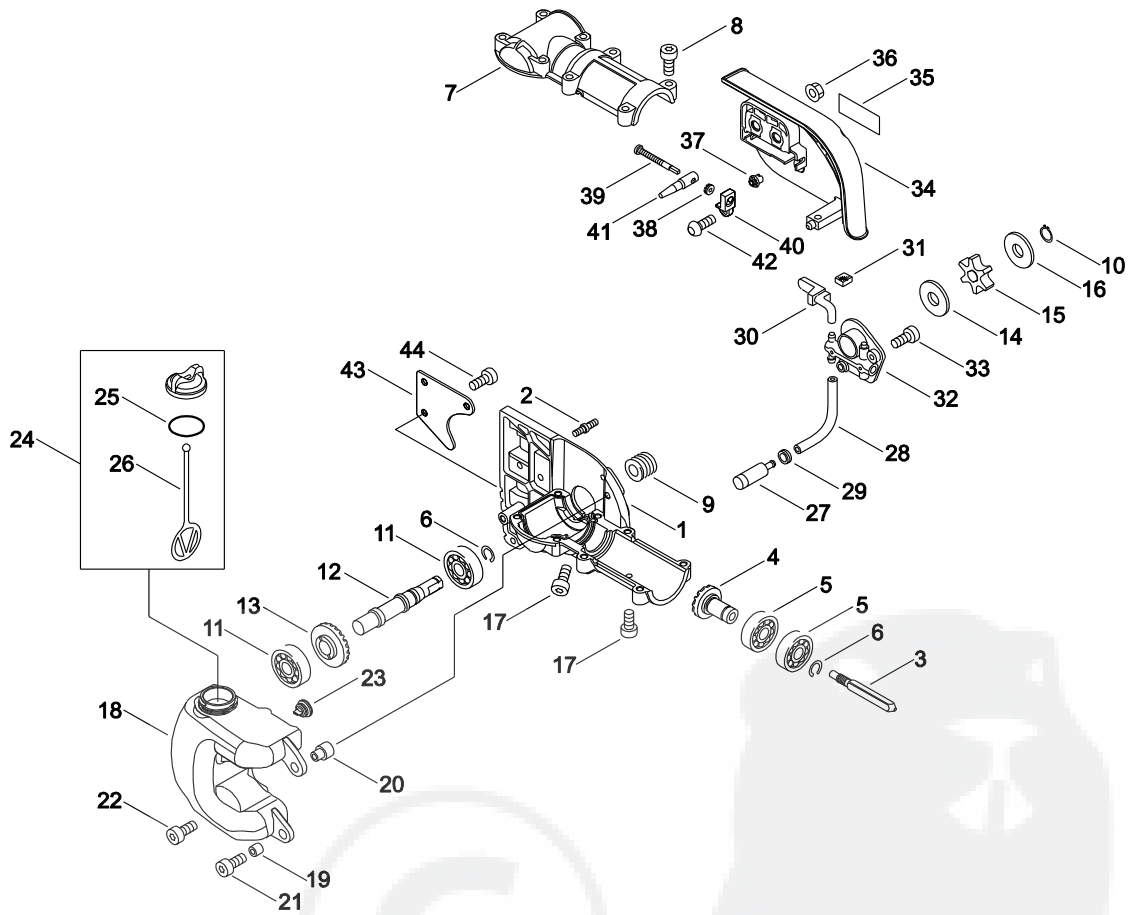
KEY	LV	PART NUMBER	Q'TY	DESCRIPTION	REMARKS	NOTE1	NOTE2
1		C531-000430	1	CASE,GEAR	LOWER		
2		V224-000040	2	BOLT,STUD 6	15MM*19MM M6		
3		610025-22361	1	CONNECTOR, SHAFT			
4		V651-000210	1	GEAR,BEVEL	MG 0600.2259		
5		94052-06001	2	BEARING BALL	PEER LLU,DDU 2RS		
6		900706-00012	2	CIRCLIP 12	WR-12		
7		C531-000030	1	CASE,GEAR			
8		V805-000170	8	BOLT, TORX 5	TB-5*25 10.9		
9		437063-38330	1	GEAR, WORM			
10		V583-000090	1	RING	EXTERNAL RING		
11		94052-06001	2	BEARING BALL	PEER LLU,DDU 2RS		
12		C534-000430	1	SHAFT, GEAR			
13		V651-000201	1	GEAR,BEVEL	MG 0600.2259		
14		175014-39131	1	WASHER, CLUTCH	10.2*24.5*1.2		
15		C580-000070	1	SPROCKET,DRIVE			
16		V307-000160	1	WASHER,CIRCULAR 10	10.2*29.5*T=1.2		
17		V805-000130	2	BOLT, TORX 5	TB-5*10 10.9		
18		C200-000081	1	TANK, OIL	POWER PRUNER		
19		131045-28230	2	COLLAR			
20		V354-000010	1	COLLAR,6			

10. GEAR CASE



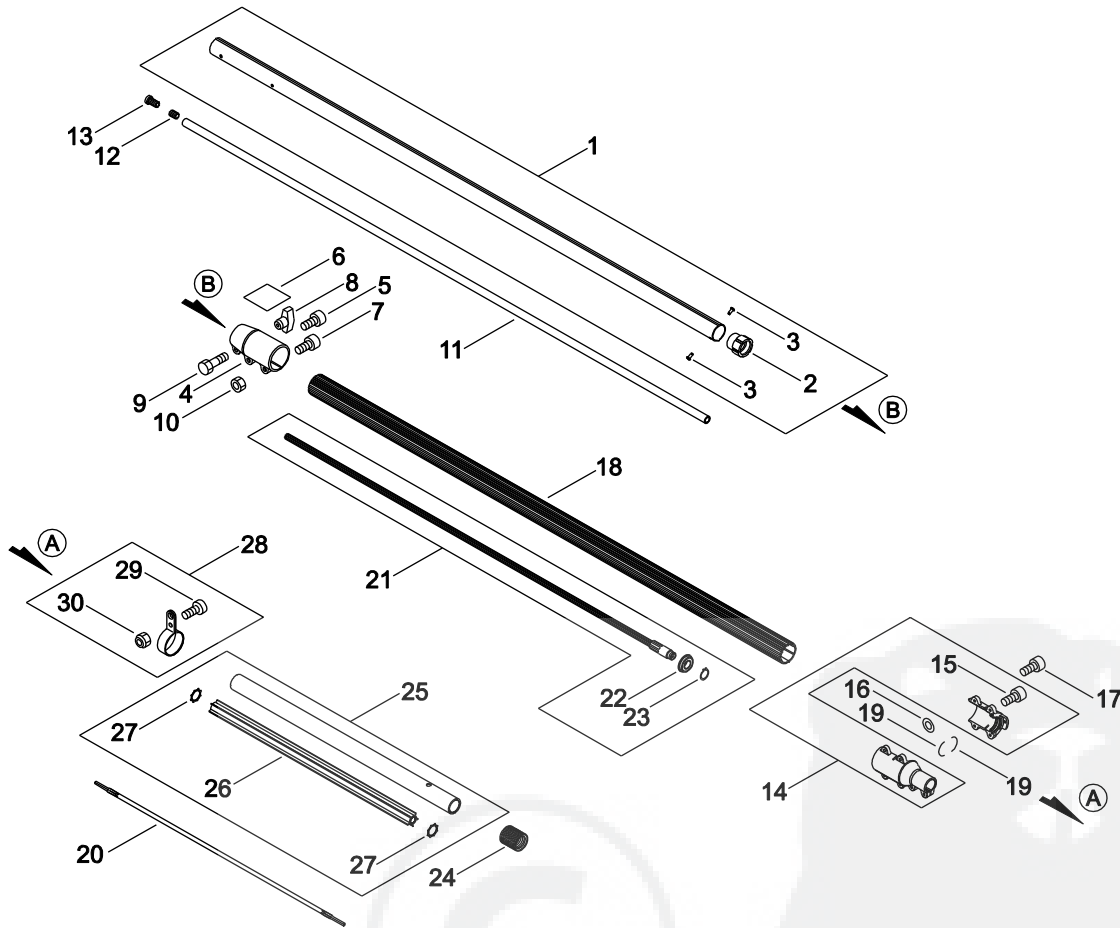
KEY	LV	PART NUMBER	Q'TY	DESCRIPTION	REMARKS	NOTE1	NOTE2
21		V805-000160	2	BOLT, TORX 5	TB-5*20 10.9		
22		V805-000170	1	BOLT, TORX 5	TB-5*25 10.9		
23		131314-06320	1	VALVE, CHECK			
24		P021-005591	1	CAP ASY			
25	+	900720-00018	1	O-RING 18	P-18		
26	+	A365-000050	1	CONNECTOR,CAP			
27		436205-02832	1	STRAINER, OIL			
28		130110-12330	1	PIPE, IMPULSE	3*6*70L		
29		132115-01461	1	GROMMET			
30		V470-000180	1	PIPE			
31		437244-39130	1	PAD, FORM			
32		C022-000010	1	OILER,ASM AUTO			
33		V805-000130	2	BOLT, TORX 5	TB-5*10 10.9		
34		C300-000920	1	GUARD, SPROCKET	COVER W/SCREW		
35		X502-000600	1	LABEL,ECHO	48MM*15MM + ECHO		
36		433019-03933	2	NUT, FLANGE 6	6		
37		V651-000320	1	GEAR,BEVEL	14 TEETH 10MM LG		
38		V651-000310	1	GEAR,BEVEL	14 TEETH 3.0 SQ.		
39		V203-000041	1	BOLT,5			
40		V355-000140	1	COLLAR,8			
41		C309-000030	1	TENSIONER,CHAIN			

10. GEAR CASE



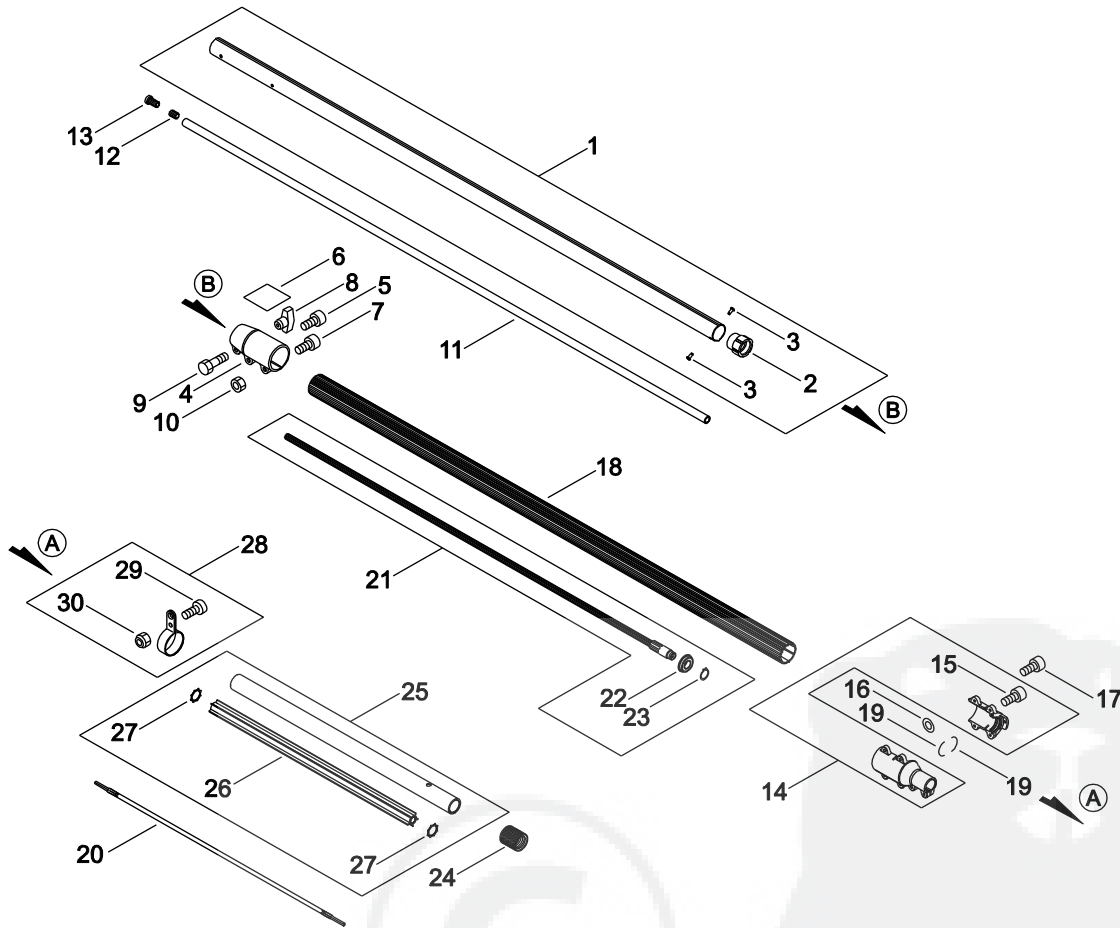
KEY	LV	PART NUMBER	Q'TY	DESCRIPTION	REMARKS	NOTE1	NOTE2
42		V252-000040	1	SCREW,4	4*8 PT SCREW		
43		C649-000140	1	HOOK	BRANCH HOOK		
44		V805-000130	3	BOLT, TORX 5	TB-5*10 10,9		

# 11. DRIVE SHAFT



KEY	LV	PART NUMBER	Q'TY	DESCRIPTION	REMARKS	NOTE1	NOTE2
1		C050-000760	1	PIPE, MAIN			
2	+	C503-000080	1	HOLDER, BEARING	HOLDER ASSEMBLY		
3	+	890011-22360	2	RIVET			
4		C510-000280	1	COUPLING, MAIN PIPE			
5		V805-000140	1	BOLT, TORX 5	TB-5*12 10.9		
6		X505-002372	1	LABEL,CAUTION	15M-50FT PRUNER		
7		V805-000160	2	BOLT, TORX 5	TB-5*20 10.9		
8		V299-000321	1	KNOB,FASTENER	M6X1.0 THREAD		
9		900100-06025	1	BOLT 6*25	6*25		
10		900500-00005	2	NUT 5	5		
11		C504-000360	1	SHAFT, DRIVE	OUTER DRIVESHAFT		
12		C509-000090	1	SOCKET,SHAFT	DRIVE SIDE		
13		C509-000080	1	SOCKET, SHAFT	12.2*16.5*25.4		
14		C510-000193	1	COUPLING, MAIN PIPE	COUPLING ASS'Y		
15		V805-000160	2	BOLT, TORX 5	TB-5*20 10.9		
16		V303-000071	2	WASHER,CIRCULAR 5	5.4MM*15MM*1M M		
17		V805-000160	4	BOLT, TORX 5	TB-5*20 10.9		
18		C500-000271	1	PIPE, MAIN			

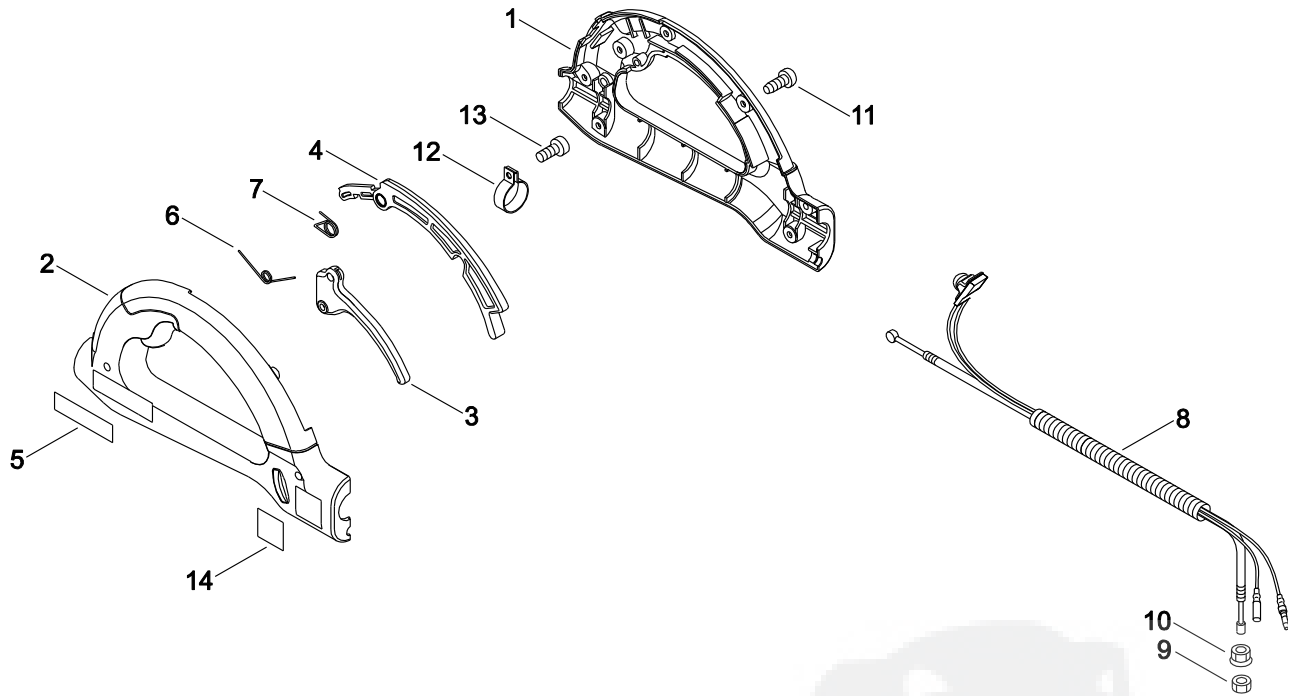
# 11. DRIVE SHAFT



KEY	LV	PART NUMBER	Q'TY	DESCRIPTION	REMARKS	NOTE1	NOTE2
19		V420-001810	2	CUSHION	OD 3.53MM*42 LNG		
20		C506-000100	1	SHAFT, FLEXIBLE	.264/.260 * 19.8		
21		C504-000372	1	SHAFT, DRIVE	CORE/SHAFT ASSY		
22	+	94057-36002	1	BEARING, BALL	PEER LLU,DDU		
23	+	100229-22460	1	RING			
24		V475-004000	1	TUBE	25MM*32MM*35M M		
25		C050-002820	1	PIPE, MAIN			
26	+	C507-000160	1	LINER, FLEXIBLE	L=410MM		
27	+	V583-000110	2	RING	.625ID * .875OD		
28		P021-049240	1	HANGER ASY			
29	+	V805-000130	1	BOLT, TORX 5	TB-5*10 10.9		
30	+	V263-000080	1	NUT,5	M5*0.8 LOCK NUT		

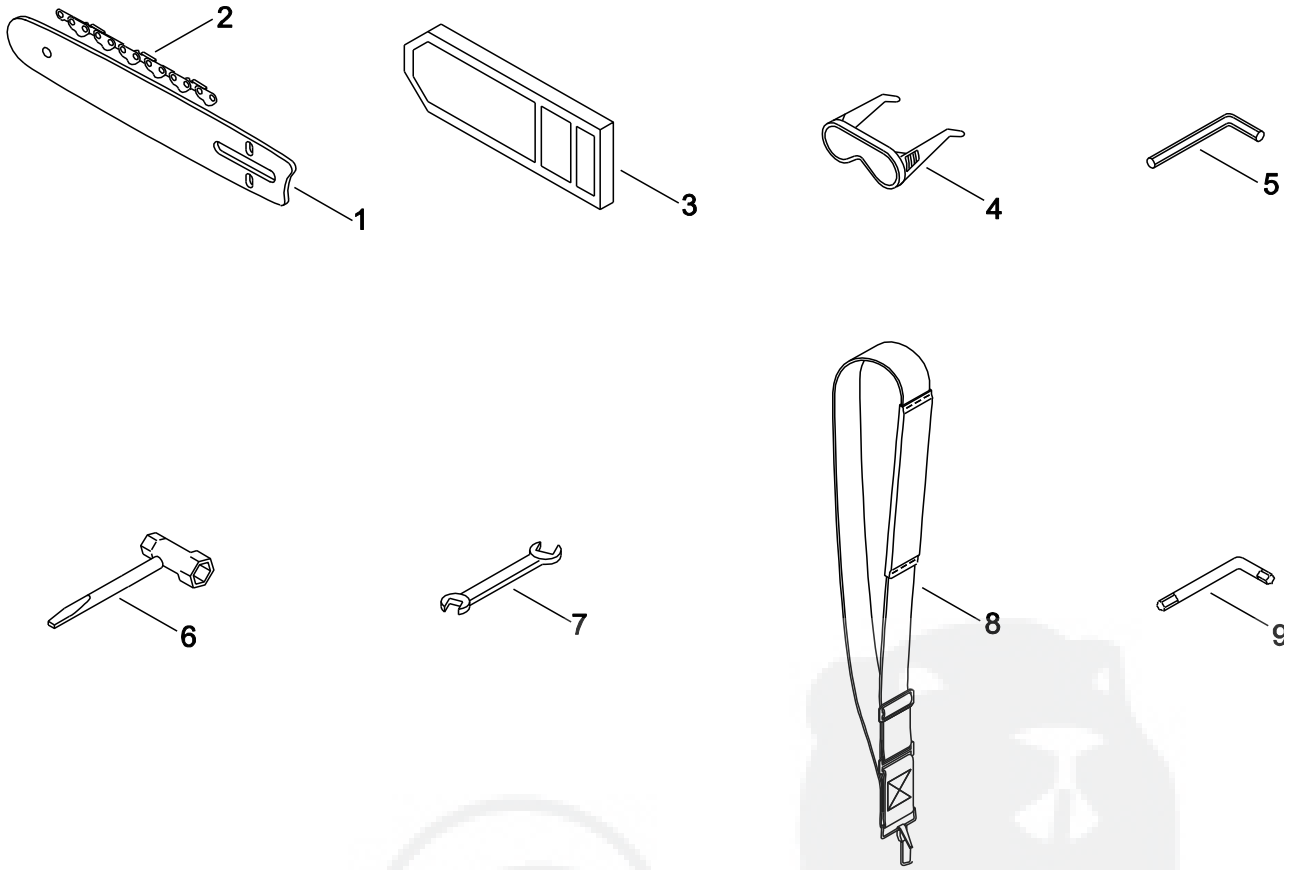


12. THROTTLE



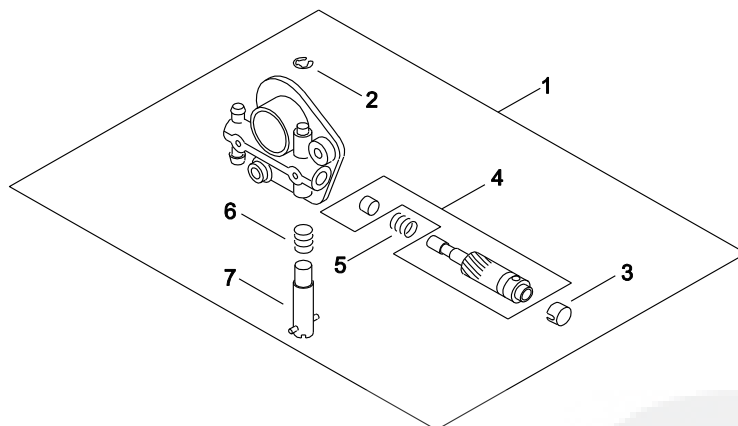
KEY	LV	PART NUMBER	Q'TY	DESCRIPTION	REMARKS	NOTE1	NOTE2
1		C041-000001	1	HANDLE,ASM REAR	OVERMOLD - RIGHT		
2		C041-000011	1	HANDLE,ASM REAR	OVERMOLD - LEFT		
3		C450-000260	1	CONTROL, THROTTLE	PPT HANDLE		
4		C460-000100	1	LOCKOUT, THROTTLE	PPT HANDLE		
5		X502-000610	2	LABEL,ECHO	62MM*16MM + ECHO		
6		V452-000330	1	SPRING,TORSION	30MM*8 DIA.*30MM		
7		V452-000340	1	SPRING,TORSION	10.5MM I.D.		
8		P021-049250	1	CABLE ASY, CONTROL			
9		900502-00006	1	NUT 6 (3N)	3N6		
10		900518-00006	1	NUT, FLANGE	6		
11		V805-000000	7	BOLT, TORX 5	TT-5*16 DG 10.9		
12		V495-003020	2	BAND			
13		V805-000150	2	BOLT, TORX 5	TB-5*16 10.9		
14		X505-002362	1	LABEL,CAUTION	4-ISO SYMBOLS		

13. ACCESSORIES



KEY	LV	PART NUMBER	Q'TY	DESCRIPTION	REMARKS	NOTE1	NOTE2
1		X122-000150	1	BAR,GUIDE 30	12A0CD3744		
2		X222-000110	1	CHAIN,SAW	91VXL-44E		
3		X490-000050	1	SCABBARD,CHAIN	12" BAR		
4		X690-000080	1	GOGGLE	SI CHINA, Z87.1		
5		X605-000100	1	TOOL,L WRENCH	4MM M5		
6		895410-39132	1	WRENCH, W/S-DRIVER			
7		895112-00330	1	SPANNER 8*10			
8		301000-22060	1	HARNESS ASY,SHOULDER			
9		X605-000060	1	TOOL,L WRENCH	80*30 T27 2-ENDS		

14. AUTO-OILER



KEY	LV	PART NUMBER	Q'TY	DESCRIPTION	REMARKS	NOTE1	NOTE2
1		C022-000010	1	OILER,ASM AUTO			
2	+	125327-15130	1	CLIP			
3	+	P022-010640	1	CAP, OIL PUMP			
4	+	P022-010650	1	PLUNGER			
5	+	P022-010660	1	SPRING			
6	+	P022-010670	1	SPRING			
7	+	P022-010680	1	SCREW ASS'Y, ADJUST			

## Index

Patrs Number	Key No.	Patrs Number	Key No.	Patrs Number	Key No.
100012-16131	1 - 9	895112-00330	13 - 7	A175-000030	7 - 13
100013-35430	1 - 7	895410-39132	13 - 6	A200-000200	5 - 3
100014-53630	1 - 10	900100-06025	11 - 9	A226-001410	5 - 12
100015-03931	1 - 8	900106-05008	1 - 18	A232-000330	5 - 9
100142-12330	3 - 9	900106-05014	1 - 16	A313-000830	8 - 2
100212-42031	2 - 4	900106-05014	8 - 12	A320-000341	8 - 11
100229-22460	11 - 23	900162-05016	2 - 10	A356-000031	7 - 9
100242-42030	2 - 6	900162-05025	1 - 4	A365-000050	10 - 26
125322-07260	6 - 5	900162-05025	5 - 4	A369-000440	7 - 11
125323-08260	6 - 6	900162-05025	7 - 14	A409-001222	3 - 1
125327-15130	14 - 2	900162-05028	2 - 3	A411-000251	3 - 2
125337-08260	6 - 3	900162-05028	4 - 9	A425-000000	3 - 12
125338-13930	6 - 4	900163-04016	4 - 7	A426-000010	3 - 14
125339-42030	6 - 7	900163-04016	9 - 17	A427-000013	3 - 13
125342-52130	6 - 15	900242-05065	5 - 8	A556-001320	4 - 3
125344-13931	6 - 10	900256-05016	1 - 13	C022-000010	10 - 32
125344-52130	6 - 16	900500-00005	8 - 9	C022-000010	14 - 1
129011-52730	5 - 7	900500-00005	11 - 10	C041-000001	12 - 1
130110-12330	10 - 28	900502-00006	12 - 9	C041-000011	12 - 2
131004-55530	7 - 2	900515-00008	3 - 8	C050-000760	11 - 1
131016-55830	7 - 3	900518-00006	12 - 10	C050-002820	11 - 25
131045-28230	10 - 19	900565-00005	9 - 4	C200-000081	10 - 18
131051-56030	7 - 4	900603-00004	3 - 6	C300-000920	10 - 34
131314-06320	10 - 23	900603-00005	7 - 15	C309-000030	10 - 41
132010-40830	7 - 8	900701-00012	4 - 5	C450-000260	12 - 3
132115-01461	10 - 29	900702-00028	4 - 4	C460-000100	12 - 4
132115-55930	7 - 5	900702-00042	4 - 10	C500-000271	11 - 18
145862-40630	8 - 3	900706-00012	10 - 6	C503-000080	11 - 2
156110-04920	3 - 11	900720-00018	10 - 25	C504-000360	11 - 11
156635-43130	2 - 7	91140-05012	1 - 15	C504-000372	11 - 21
159116-21231	2 - 9	91367-04010	8 - 5	C506-000100	11 - 20
162010-04561	3 - 4	92280-05000	8 - 7	C507-000160	11 - 26
175014-39131	10 - 14	94035-36201	2 - 2	C509-000080	11 - 13
175046-56030	4 - 13	94051-06001	4 - 2	C509-000090	11 - 12
175048-05530	4 - 15	94052-06001	10 - 5	C510-000193	11 - 14
175049-56030	4 - 14	94052-06001	10 - 11	C510-000280	11 - 4
177220-42030	9 - 8	94057-36002	11 - 22	C531-000030	10 - 7
177227-42030	9 - 3	A011-000434	1 - 1	C531-000430	10 - 1
177228-27030	9 - 11	A021-001742	5 - 1	C534-000430	10 - 12
177234-12220	9 - 15	A021-001742	6 - 1	C580-000070	10 - 15
177236-61830	9 - 9	A051-000941	9 - 1	C649-000140	10 - 43
301000-22060	13 - 8	A052-000180	9 - 13	P005-000010	6 - 2
433019-03933	10 - 36	A101-000170	1 - 6	P005-000100	6 - 9
436205-02832	10 - 27	A127-000160	2 - 8	P005-000190	6 - 12
437063-38330	10 - 9	A130-000761	1 - 2	P005-000200	6 - 14
437244-39130	10 - 31	A160-000691	1 - 17	P005-000250	6 - 21
610025-22361	10 - 3	A160-000780	1 - 11	P005-000270	6 - 23
610922-55931	4 - 8	A162-000080	1 - 14	P005-000280	6 - 24
890011-22360	11 - 3	A162-000100	1 - 12	P005-000510	6 - 17

**Index**

<b>Patrs Number</b>	<b>Key No.</b>	<b>Patrs Number</b>	<b>Key No.</b>	<b>Patrs Number</b>	<b>Key No.</b>
P005-000520	6 - 18	V303-000071	11 - 16	X547-000791	1 - 19
P005-001000	6 - 25	V307-000160	10 - 16	X605-000060	13 - 9
P005-001240	6 - 11	V322-000031	3 - 5	X605-000100	13 - 5
P005-001250	6 - 26	V354-000010	10 - 20	X690-000080	13 - 4
P005-001270	6 - 28	V355-000140	10 - 40		
P005-001290	6 - 27	V420-001810	11 - 19		
P005-001890	6 - 19	V451-000400	4 - 12		
P005-001900	6 - 22	V452-000330	12 - 6		
P005-002070	6 - 8	V452-000340	12 - 7		
P005-002230	6 - 13	V470-000180	10 - 30		
P005-003110	6 - 20	V470-000580	7 - 6		
P021-005591	10 - 24	V471-001180	7 - 7		
P021-009771	1 - 5	V475-003380	3 - 3		
P021-010801	2 - 1	V475-004000	11 - 24		
P021-011580	8 - 1	V490-001230	7 - 10		
P021-013640	7 - 1	V490-001240	7 - 12		
P021-046900	4 - 11	V491-000180	4 - 6		
P021-048230	4 - 1	V495-003020	12 - 12		
P021-049240	11 - 28	V505-000050	2 - 5		
P021-049250	12 - 8	V583-000090	10 - 10		
P021-049750	5 - 6	V583-000110	11 - 27		
P022-002100	9 - 16	V651-000201	10 - 13		
P022-006850	9 - 14	V651-000210	10 - 4		
P022-008260	9 - 10	V651-000310	10 - 38		
P022-008270	9 - 7	V651-000320	10 - 37		
P022-010640	14 - 3	V805-000000	12 - 11		
P022-010650	14 - 4	V805-000130	10 - 17		
P022-010660	14 - 5	V805-000130	10 - 33		
P022-010670	14 - 6	V805-000130	10 - 44		
P022-010680	14 - 7	V805-000130	11 - 29		
P022-027980	9 - 5	V805-000140	11 - 5		
P022-028000	9 - 6	V805-000150	12 - 13		
P022-037670	9 - 12	V805-000160	10 - 21		
P022-037680	9 - 2	V805-000160	11 - 7		
V100-000210	1 - 3	V805-000160	11 - 15		
V103-000210	5 - 5	V805-000160	11 - 17		
V103-000270	5 - 2	V805-000170	10 - 8		
V104-000780	8 - 10	V805-000170	10 - 22		
V104-000790	8 - 4	X122-000150	13 - 1		
V135-000030	3 - 10	X222-000110	13 - 2		
V150-001760	8 - 8	X490-000050	13 - 3		
V202-000130	3 - 7	X502-000330	9 - 18		
V203-000041	10 - 39	X502-000600	10 - 35		
V203-000120	8 - 6	X502-000610	12 - 5		
V224-000040	10 - 2	X505-002362	12 - 14		
V252-000040	10 - 42	X505-002372	11 - 6		
V263-000080	11 - 30	X505-007710	1 - 20		
V299-000250	5 - 11	X506-000170	5 - 10		
V299-000321	11 - 8	X524-001901	1 - 21		

# YAMABIKO CORPORATION

7-2 SUEHIROCHO 1-CHOME, OHME, TOKYO 198-8760, JAPAN  
PHONE: 81-428-32-6118. FAX: 81-428-32-6145.

The ECHO logo is displayed in a bold, italicized, sans-serif font. The letter 'E' is stylized with three vertical bars on its left side. A registered trademark symbol (®) is located at the end of the word. The logo is centered horizontally and partially overlaps a large, faint silhouette of a beaver in the background.

**ECHO®**

-15H  
No. 35-058