



PARTS CATALOG

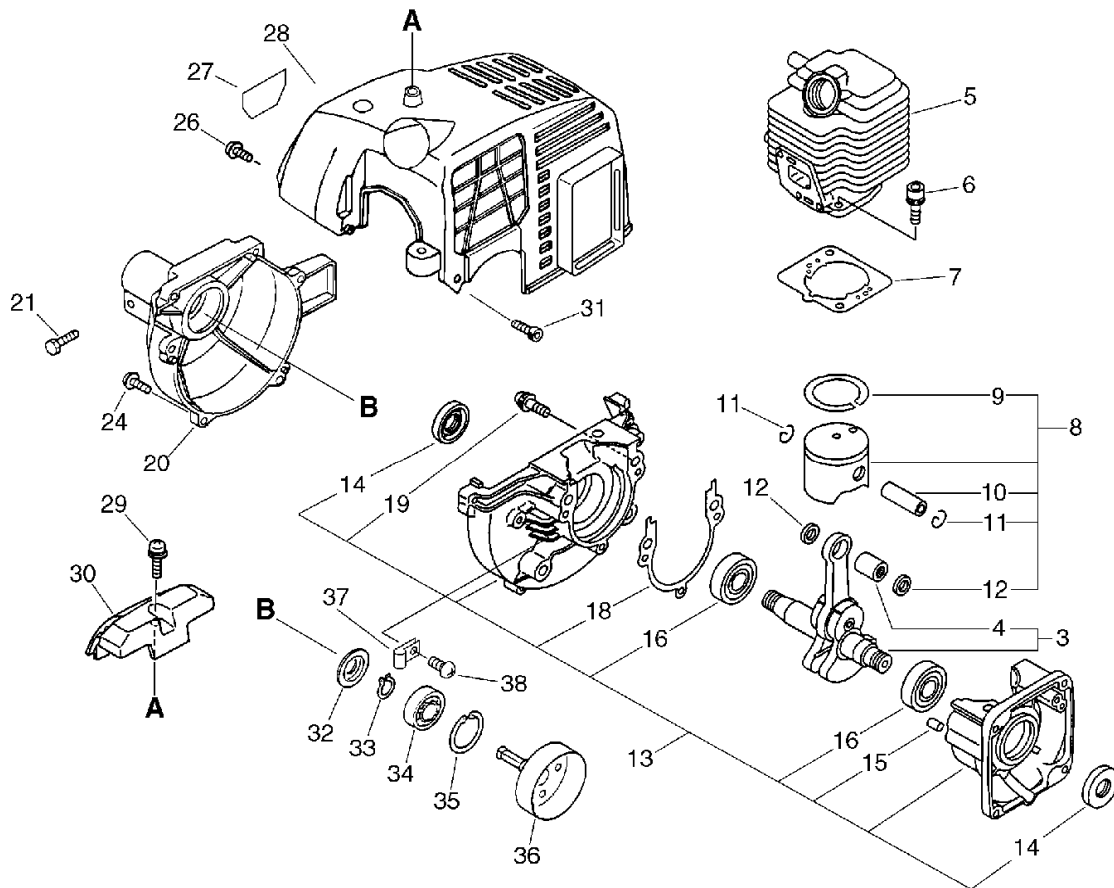
POWER PRUNER

PPF-2100(36)

36003402 -

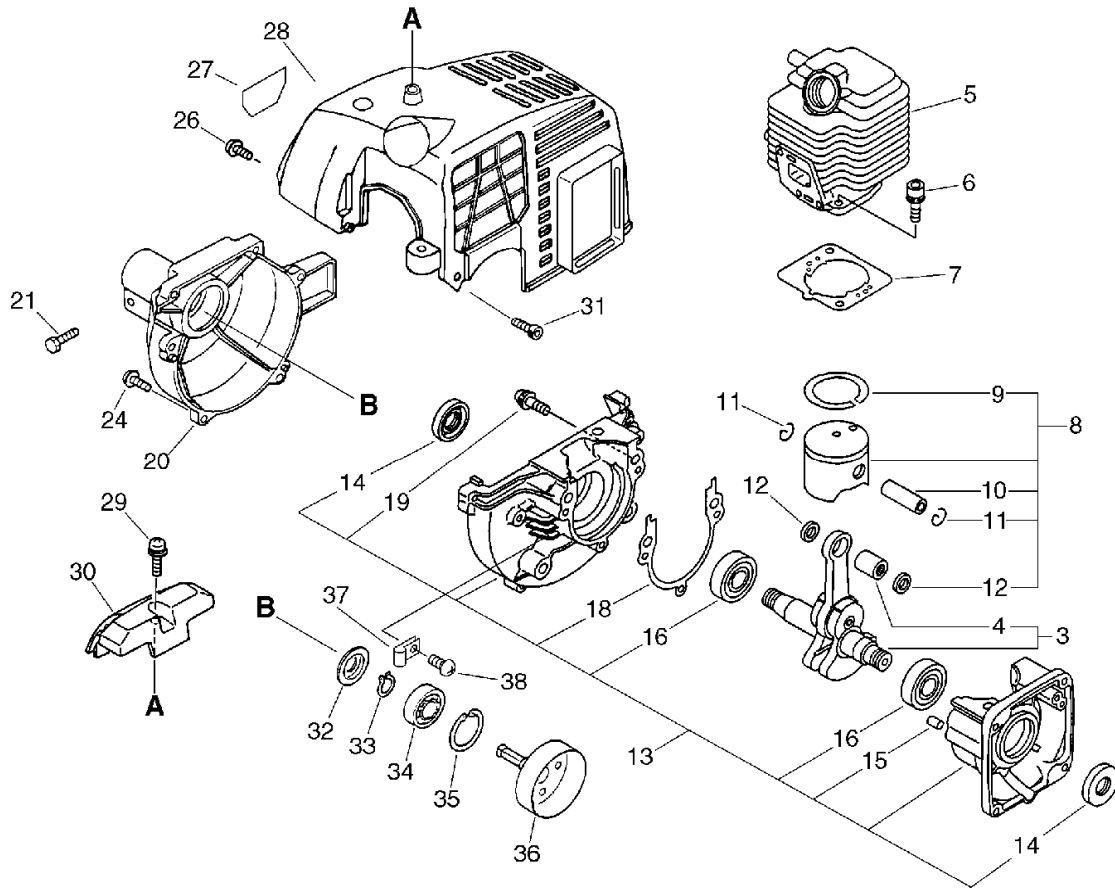
P014-000230-101b

1. CYLINDER, CRANKCASE, PISTON

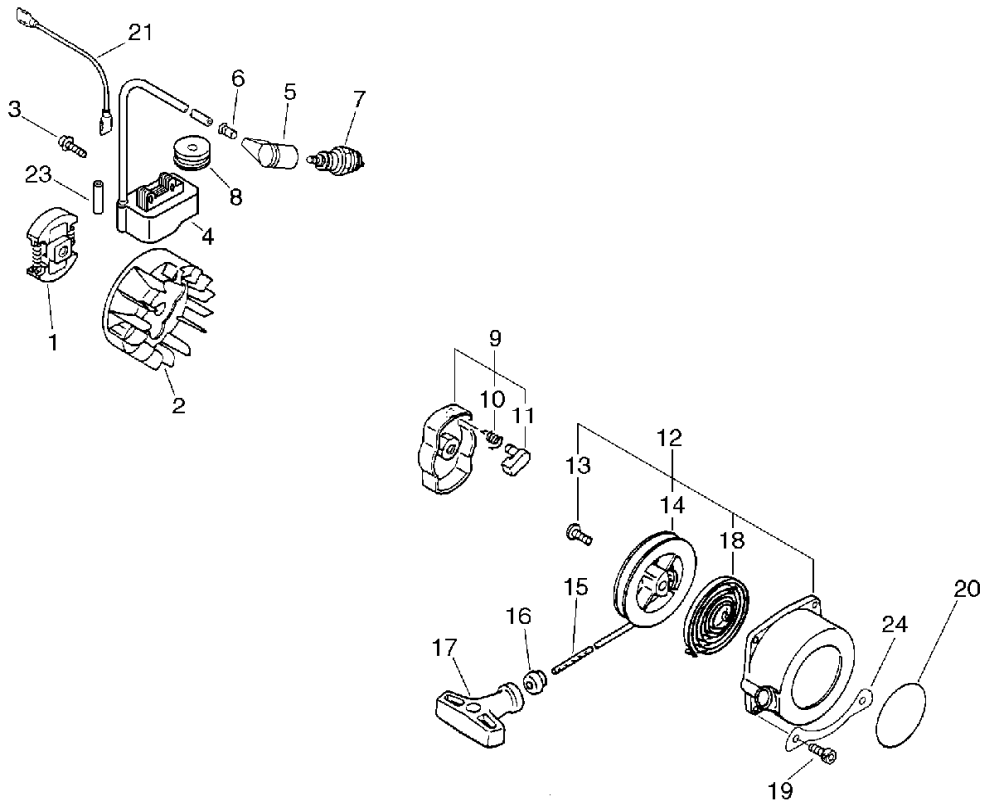


KEY	LV	PART NUMBER	Q'TY	DESCRIPTION	REMARKS	NOTE1	NOTE2
3		A011-000101	1	CRANKSHAFT,ASM			
4	+	V553-000060	1	BEARING,NEEDLE 8	HK0810FMV4		
5		A130-000540	1	CYLINDER			
6		900162-05022	2	BOLT, H.S. 5*22	5*22 W,SW		
7		V100-000160	1	GASKET,CYL			
8		P021-007712	1	PISTON KIT			
9	+	A101-000090	1	RING,PISTON			
10	+	100013-11520	1	PIN, PISTON			
11	+	100015-04630	2	CIRCLIP, PISTON PIN			
12	+	100014-11520	2	SPACER, PISTON PIN			
13		100204-52132	1	CRANKCASE KIT			
13		100204-52133	1	CRANKCASE KIT			
14	+	100212-42031	2	OILSEAL	ISCD 12*22*4.5		
15	+	100215-03930	2	PIN, DOWEL			
16	+	94035-36201	2	BEARING BALL	6201X3JR2C3		
18	+	100242-42030	1	GASKET, CRANKCASE			
19	+	900162-05028	3	BOLT, H.S. 5*28	5*28 W,SW		
20		101511-44630	1	COVER, FAN (BS)			
21		900162-05025	1	BOLT, H.S. 5*25	5*25 W,SW		
24		900163-04016	4	BOLT HSH			
26		900238-04012	2	SCREW 4*12	4*12		
27		X547-000920	1	LABEL,ECHO			
28		A160-000590	1	COVER,CYLINDER			
29		900253-05016	1	SCREW	5*16		
30		A162-000070	1	GUARD, TOP			

1. CYLINDER, CRANKCASE, PISTON

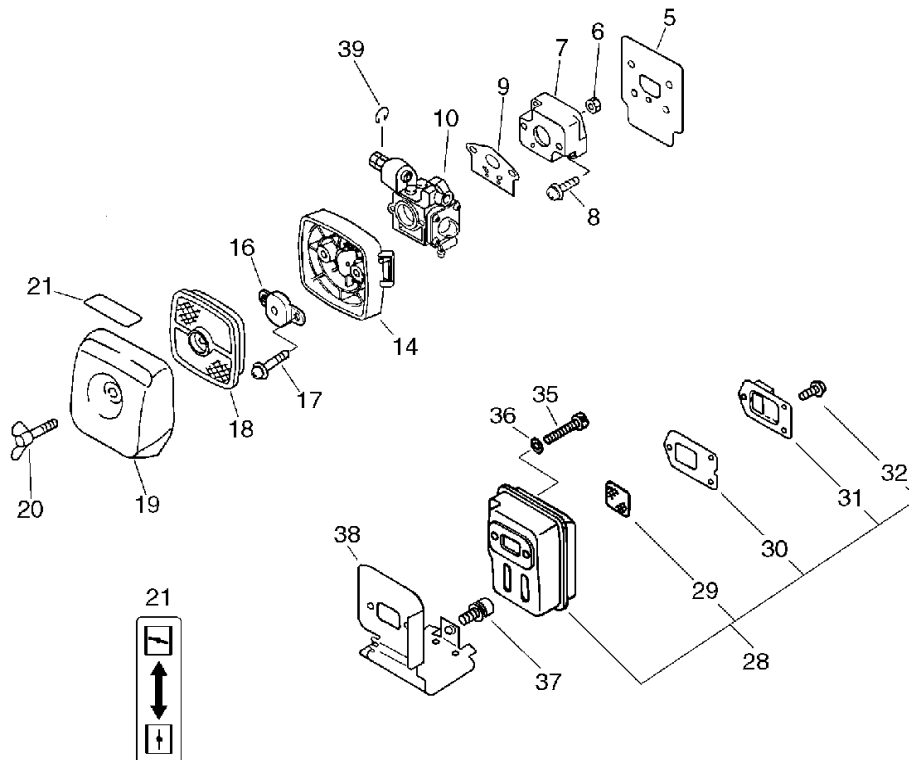


KEY	LV	PART NUMBER	Q'TY	DESCRIPTION	REMARKS	NOTE1	NOTE2
31		900163-04016	2	BOLT HSH			
32		175053-04920	1	STOPPER			
33		900701-00012	1	CIRCLIP 12	CS-12		
34		900814-06201	1	BEARING, BALL 6201	6201ZZ		
35		900702-00032	1	CIRCLIP 32	CR-32		
36		175005-42030	1	DRUM, CLUTCH			
37		132112-22031	1	CLIP, FUEL PIPE			
38		900238-05010	1	SCREW 5*10	5*10		

RST. STARTER, MAGNETO

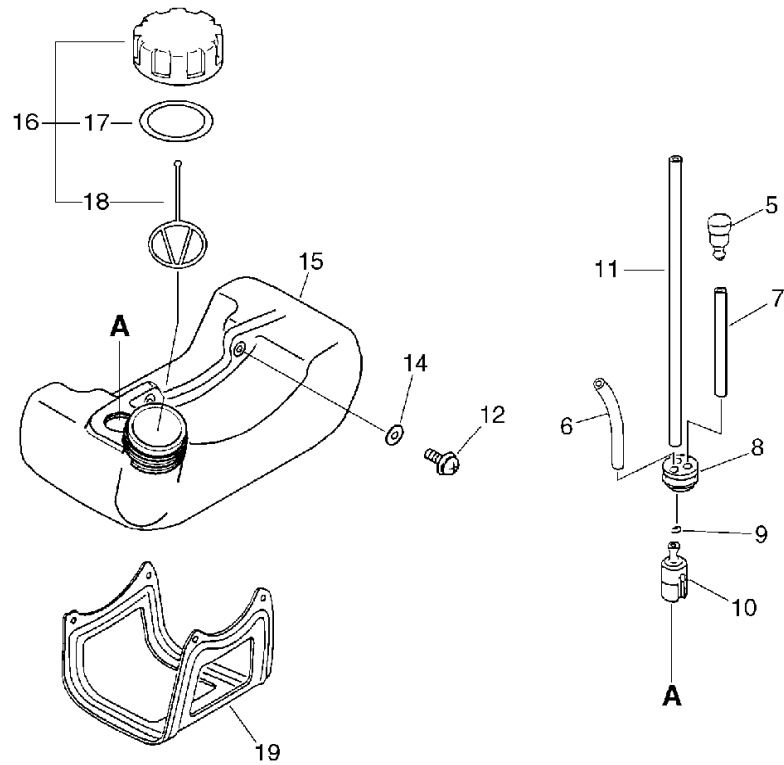
KEY	LV	PART NUMBER	Q'TY	DESCRIPTION	REMARKS	NOTE1	NOTE2
1		175000-56831	1	CLUTCH ASSEMBLY			
2		A409-000210	1	ROTOR,MAGNETO			
3		900162-04020	2	BOLT, H.S. 4*20	4*20 W,SW		
4		A411-000130	1	COIL,IGNITION			
4		A411-000130	1	COIL,IGNITION			
5		159012-10230	1	CAP, SPARK PLUG			
6		159016-05330	1	ADAPTER, PLUG CAP			
7		A425-000000	1	SPARKPLUG	BPMR8Y		
8		150112-44330	1	BUSHING			
9		177202-44331	1	PAWL ASM., STARTER			
10	+	177234-12220	1	SPRING, PAWL			
11	+	177218-44330	1	PAWL, STARTER	BLACK		
12		177200-42033	1	STARTER ASSY			
13	+	177236-44330	1	SCREW			
14	+	177215-44430	1	DRUM, STARTER			
15	+	177226-10120	1	ROPE, STARTER	3.0*1000		
16	+	177227-42030	1	GUIDE, ROPE			
17	+	177228-06530	1	GRIP, STARTER			
18	+	177220-42030	1	SPRING, REWIND			
19		900162-04020	2	BOLT, H.S. 4*20	4*20 W,SW		
20		X502-000330	1	LABEL,ECHO	ECHO		
21		V485-000290	1	LEAD			
23		156110-54930	1	TUBE	7*8.6*18.5		
24		V150-001640	1	PLATE,EYE			

3. AIR CLEANER, MUFFLER



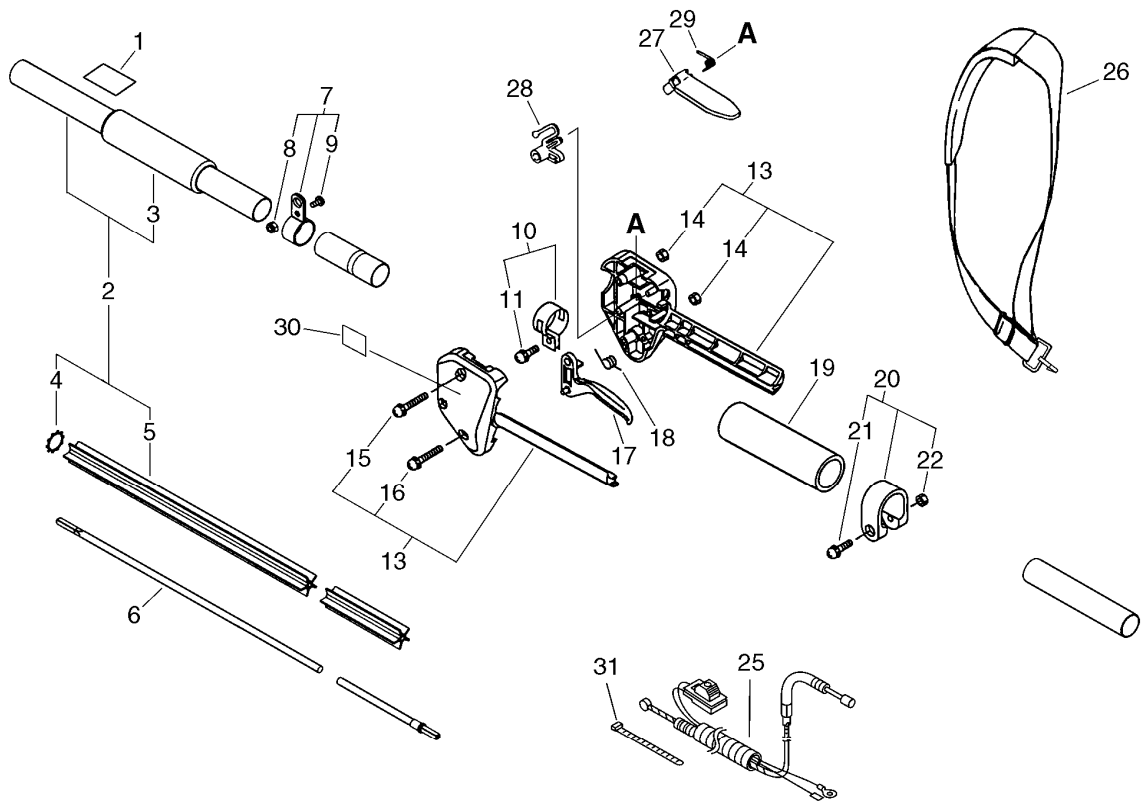
KEY	LV	PART NUMBER	Q'TY	DESCRIPTION	REMARKS	NOTE1	NOTE2
5		130010-42032	1	GASKET,INTAKE			
6		900500-00005	2	NUT 5	5		
7		130017-44331	1	INSULATOR			
8		900238-05022	2	SCREW 5*22	5*22		
9		130010-13410	1	GASKET, INTAKE			
10		A021-001460	1	CARBURETOR,DIAPHRAGM	RB-K87		
14		P021-004480	1	CASE, AIR CLEANER			
16		129011-52730	1	PLATE, PREVENT			
17		900220-05065	2	SCREW 5*65	5*65		
18		130310-54130	1	FILTER, AIR			
18		A226-001410	1	ELEMENT,AIR FILTER			
19		130313-05863	1	LID, AIR CLEANER			
20		210417-52730	1	BOLT, WING	5*20		
21		890332-52730	1	LABEL, CHOKE			
28		P021-007420	1	MUFFLER ASY			
29	+	145862-40630	1	SCREEN, MUFFLER			
30	+	145866-42031	1	GASKET, MUFFLER LID			
31	+	A313-000580	1	GUIDE,EXH			
32	+	900242-04010	3	SCREW 4*10	4*10		
35		900105-05055	2	BOLT, H.S. 5*55	5*55		
36		900600-00005	2	WASHER 5	5		
37		91107-04008	1	BOLT HSH FLANGE	4*8		
38		V104-000510	1	GASKET,EXHAUST			
39		100015-00120	1	CIRCLIP, PISTON PIN			

FTN. FUEL TANK



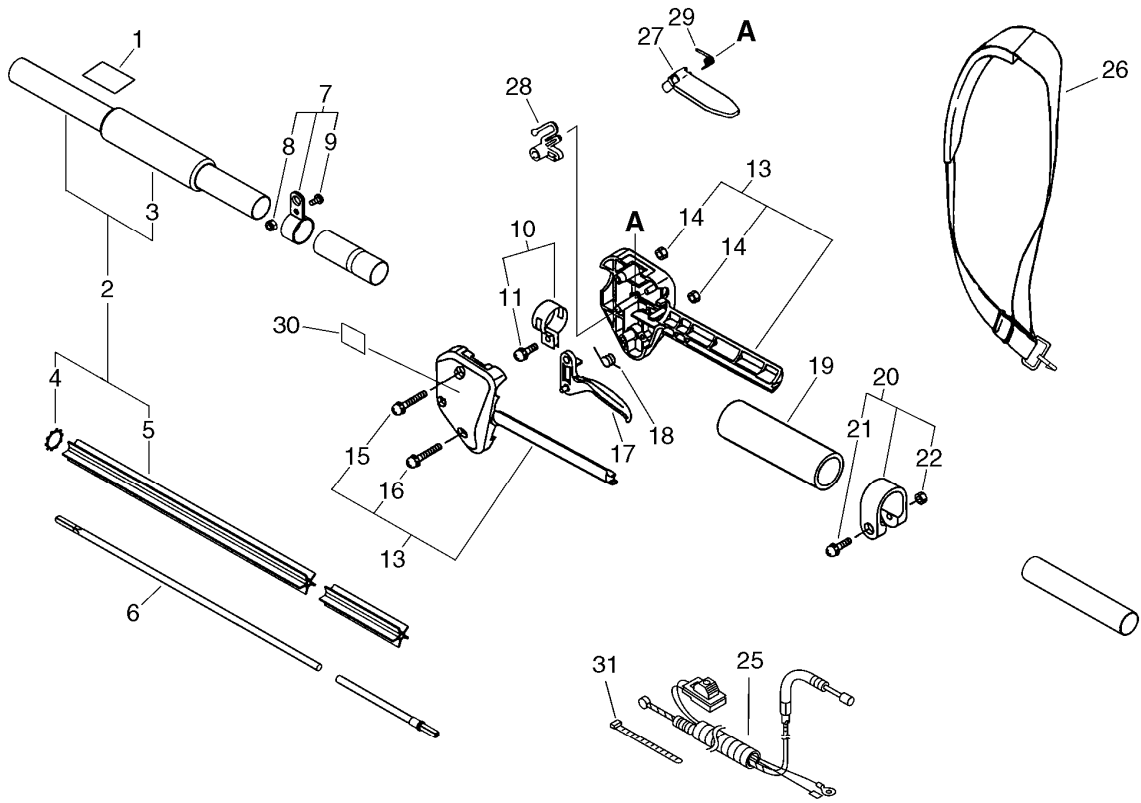
KEY	LV	PART NUMBER	Q'TY	DESCRIPTION	REMARKS	NOTE1	NOTE2
5		A356-000030	1	VALVE,CHECK			
6		132012-56030	1	PIPE	3*6*80 YL		
7		V471-001200	1	PIPE	3*5*70 NBR		
8		V137-000030	1	GROMMET,FUEL			
9		132013-09820	1	CLIP	6MM		
10		131205-07320	1	STRAINER, FUEL			
11		V471-001190	1	PIPE	3*5*180 NBR		
12		900238-05020	2	SCREW 5*20	5*20		
14		900603-00005	2	WASHER 5	5.5*12*0.8		
15		A350-000291	1	TANK,FUEL			
16		131004-55530	1	CAP ASSY, FUEL TANK			
17	+	131016-55830	1	GASKET, FUEL CAP			
18	+	131051-56030	1	CLIP, FUEL CAP	100L		
19		305110-42030	1	STAND (BL)			

5. HANDLE



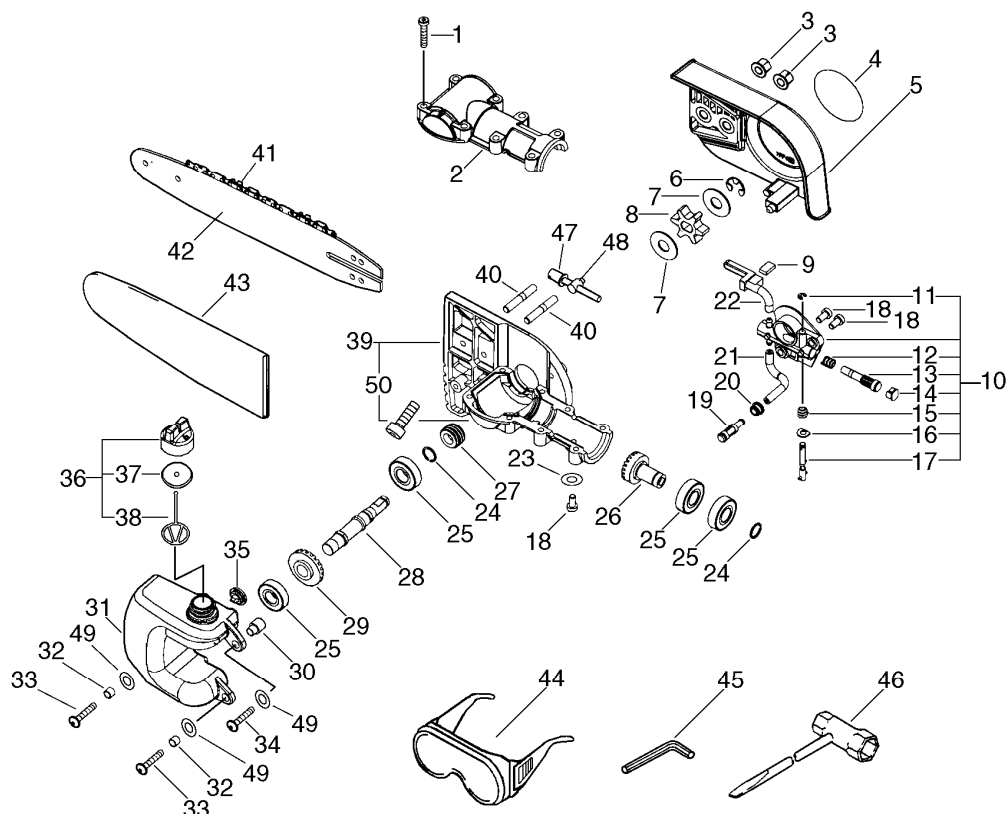
KEY	LV	PART NUMBER	Q'TY	DESCRIPTION	REMARKS	NOTE1	NOTE2
1		890160-22661	1	LABEL, CAUTION	PVC FILM		
2		610609-24661	1	PIPE, MAIN			
3	+	351311-22060	1	GRIP, HANDLE			
4	+	900038-00100	1	WASHER, EXTERNAL			
5	+	610217-22060	1	LINER, FLEXBLE			
6		610013-22060	1	SHAFT, FLEXIBLE			
7		300605-22060	1	BRACKET, HARNESS			
8	+	900031-50100	1	LOCKNUT			
9	+	900053-00200	1	SCREW			
10		301200-29430	1	BAND ASSY			
11	+	900242-05014	1	SCREW 5*14			
13		178003-52130	1	BRACKET SET, THROTTLE			
14	+	900500-00005	2	NUT 5	5		
15	+	900242-05035	1	SCREW 5*35	5*35		
16	+	900242-05025	1	SCREW 5*25	5*25		
17		178010-52130	1	CONTROL, THROTTLE			
18		178043-42230	1	SPRING, THR. RETURN			
19		351213-52130	1	GRIP			
20		P021-014550	1	BAND 25			
21	+	900242-05028	1	SCREW 5*28	5*28		
22	+	900500-00005	1	NUT 5	5		
25		V043-000200	1	CABLE ASY, CONTROL			
26		301000-22060	1	HARNESS ASY, SHOULDER			
27		178090-52632	1	LOCKOUT, T. CONTROL			
28		178012-52730	1	LOCKOUT, THROTTLE			
29		178013-52630	1	SPRING, THR. LOCK			

5. HANDLE



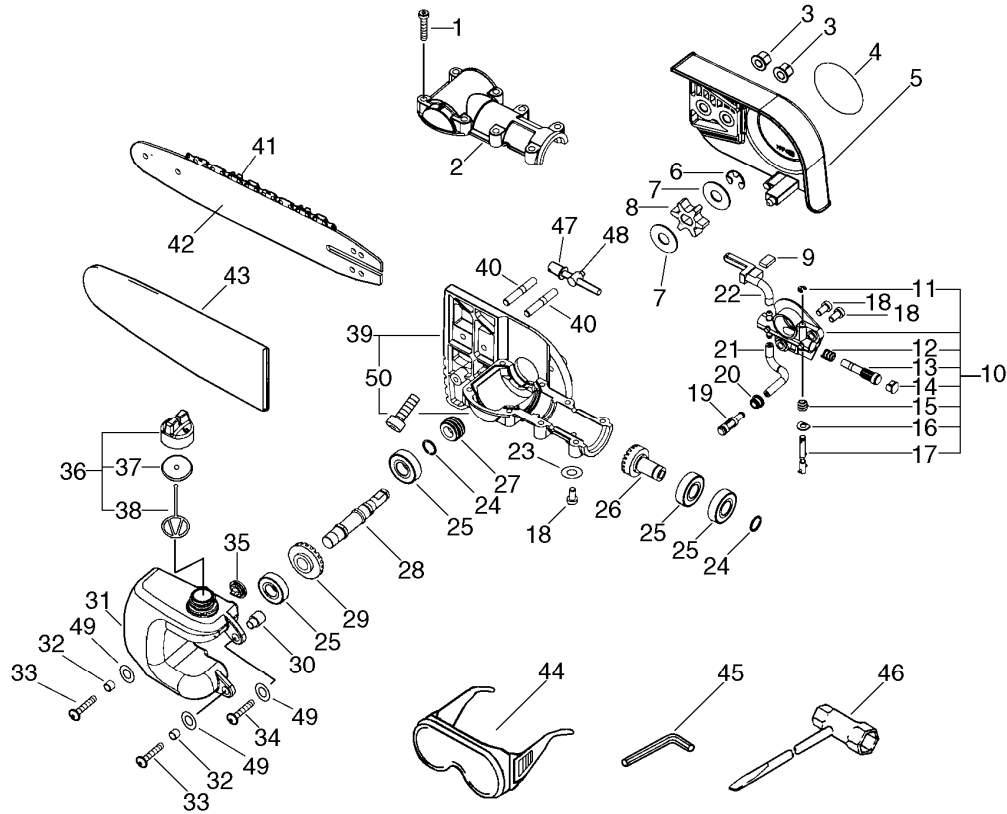
KEY	LV	PART NUMBER	Q'TY	DESCRIPTION	REMARKS	NOTE1	NOTE2
30		890157-39130	1	LABEL, SWITCH			
31		178121-43230	1	BAND	CV-150 BL		

6. GEAR CASE, GUIDE BAR, CHAIN



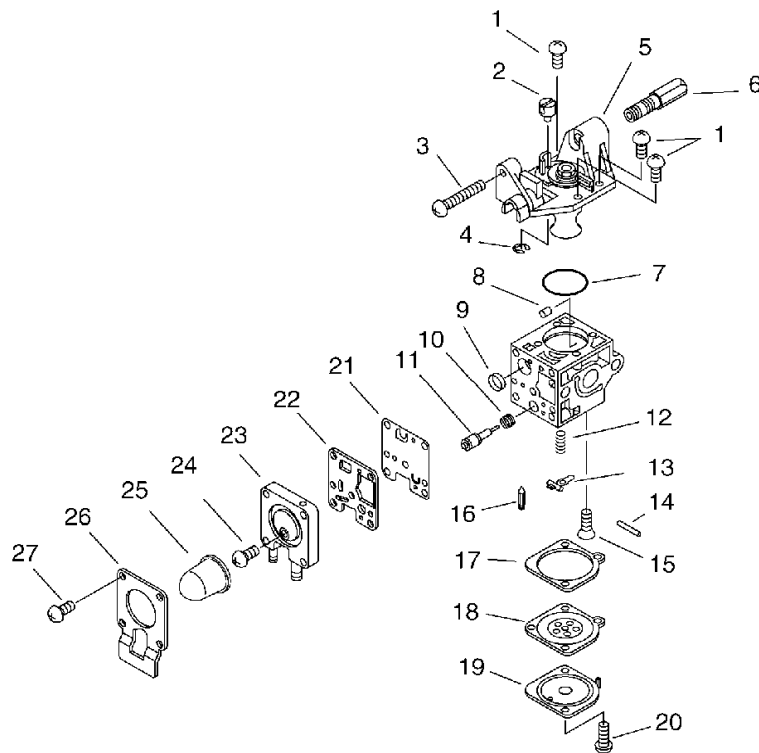
KEY	LV	PART NUMBER	Q'TY	DESCRIPTION	REMARKS	NOTE1	NOTE2
1		900109-05025	8	BOLT, H.S,H	5*25 SUS		
2		C531-000010	1	CASE,GEAR	25.5		
3		433019-03933	2	NUT, FLANGE 6	6		
4		X502-000330	1	LABEL,ECHO	ECHO		
5		C300-000001	1	GUARD,SPROCKET			
6		V583-000010	1	RING			
7		175014-39131	2	WASHER, CLUTCH	10.2*24.5*1.2		
8		C580-000070	1	SPROCKET,DRIVE			
9		437244-39130	1	PAD,FORM			
10		437002-39130	1	AUTO-OILER ASSY			
18		900109-05010	2	BOLT, H.S,	5*10		
19		436205-02832	1	STRAINER, OIL			
20		132115-01461	1	GROMMET			
21		130110-12330	1	PIPE, IMPULSE	3*6*70L		
22		V470-000180	1	PIPE			
23		900600-00005	1	WASHER 5	5		
18		900109-05010	1	BOLT, H.S,	5*10		
24		900706-00012	1	CIRCLIP 12	WR-12		
25		94052-06001	2	BEARING BALL	PEER LLU,DDU 2RS		
26		V651-000230	1	GEAR,BEVEL	MG 80.2310.001		
27		437063-38330	1	GEAR, WORM			
28		C534-000400	1	SHAFT, GEAR	84.50MM LENGTH		

6. GEAR CASE, GUIDE BAR, CHAIN



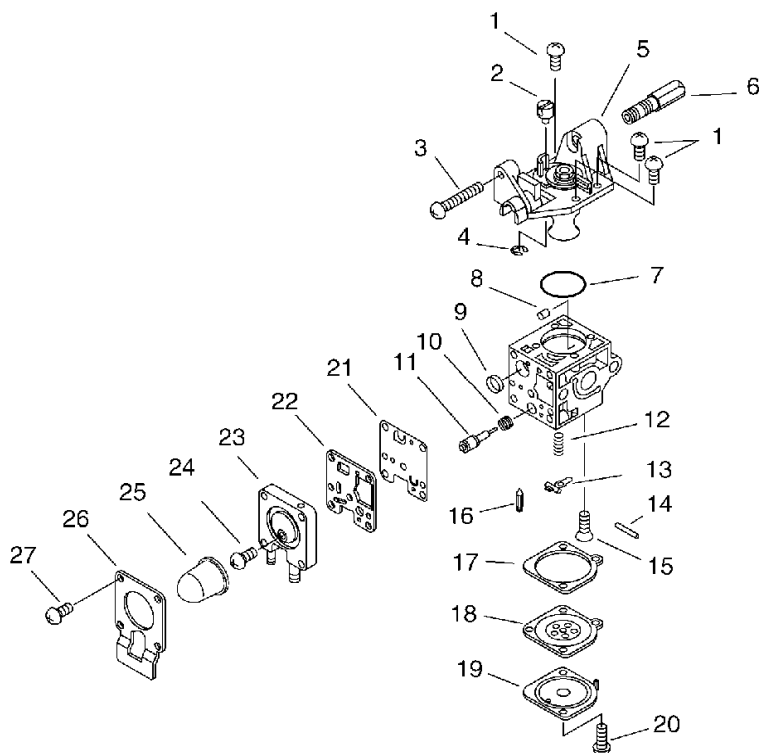
KEY	LV	PART NUMBER	Q'TY	DESCRIPTION	REMARKS	NOTE1	NOTE2
29		V651-000201	1	GEAR,BEVEL	MG 0600.2259		
30		V354-000010	1	COLLAR,6			
31		C200-000000	1	TANK,OIL			
32		131045-28230	2	COLLAR			
33		91109-05016	2	BOLT	CB 5*16		
34		900109-05025	1	BOLT, H.S.H	5*25 SUS		
35		131314-06320	1	VALVE, CHECK			
37	+	436012-37830	1	GASKET, CIRCULAR			
38	+	A365-000050	1	CONNECTOR,CAP			
39		C051-000110	1	CASE,GEAR	PPF GC ASSEMBLY		
50	+	900109-05010	1	BOLT, H.S,	5*10		
40		V224-000000	2	BOLT,STUD 6			
41		X221-000040	1	CHAIN,SAW 90SG-39CQ	90SG-39CQ ECHO		
42		X101-000110	1	BAR,GUIDE 25	90 SERIES		
43		X490-000060	1	SCABBARD,CHAIN			
44		X690-000050	1	GOGGLE	GOGGLE + NOTE		
45		895610-00130	1	L-WRENCH (4MM)			
46		895410-39131	1	WRENCH, W/S-DRIVER			
47		433016-39131	1	BOLT			
48		433014-03931	1	TENSIONER			
49		900603-00005	3	WASHER 5	5.5*12*0.8		

7. CARBURETOR



KEY	LV	PART NUMBER	Q'TY	DESCRIPTION	REMARKS	NOTE1	NOTE2
		A021-001460	1	CARBURETOR,DIAPHRAGM	RB-K87		
1	+	125344-13931	3	SCREW			
2	+	P005-001240	1	POST			
3	+	P005-000100	1	SCREW,THROTTLADJUST			
4	+	P005-000190	1	E-RING			
5	+	P005-001320	1	COVER ASY, ROTOR			
6	+	P005-002010	1	SCREW, WIRW ADJUST			
7	+	P005-000280	1	O-RING			
8	+	P005-001000	1	ROLLER, GUIDE			
9	+	P005-000010	1	STRAINER			
10	+	P005-001260	1	SCREW,MAINN MIXTURE			
11	+	P005-001250	1	RETAINER,PLUG BALL			
12	+	P005-000940	1	SPRING, METER. LEVER			
13	+	125323-08260	1	ARM, VALVE			
14	+	125338-13930	1	PIN, METERING ARM			
15	+	125339-42030	1	SCREW			
16	+	125337-08260	1	VALVE, INLET NEEDLE			
17	+	P005-000200	1	GASKET, METERING			
18	+	P005-001780	1	DIAPHRAGM			
19	+	125342-52130	1	COVER, DIAPHRAGM			
20	+	125344-52130	2	SCREW			
21	+	P005-000510	1	DIAPHRAGM, PUMP			
22	+	P005-000520	1	GASKET, PUMP			
23	+	P005-001890	1	BASE, ASY PRIMER			
24	+	P005-000270	1	SCREW			
25	+	125381-46730	1	PUMP, PRIMING			

7. CARBURETOR



KEY	LV	PART NUMBER	Q'TY	DESCRIPTION	REMARKS	NOTE1	NOTE2
26	+	P005-000250	1	RETAINER			
27	+	P005-001900	4	SCREW			

8. DIAPHRAGM/GASKET KIT

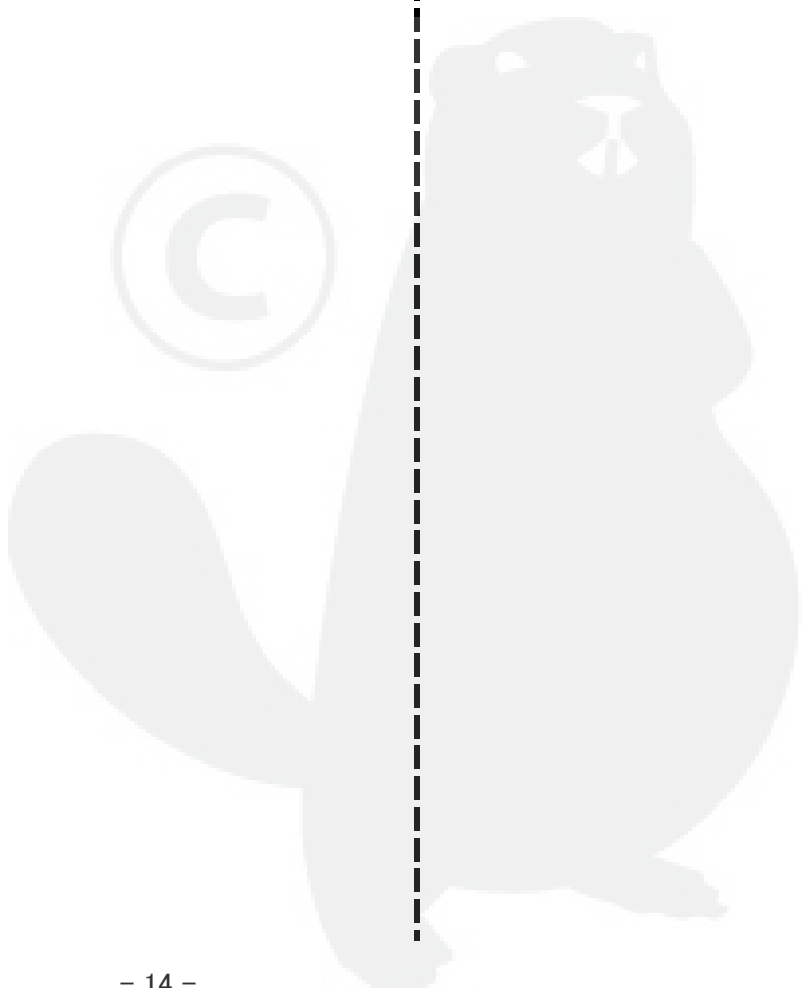
KEY	LV	PART NUMBER	Q'TY	DESCRIPTION	REMARKS	NOTE1	NOTE2
		P005-001660	1	DIAPHRAGM/GASKET KIT			
1	+	P005-001780	1	DIAPHRAGM			
2	+	P005-000200	1	GASKET, METERING			
3	+	P005-000510	1	DIAPHRAGM, PUMP			
4	+	P005-000520	1	GASKET, PUMP			

Index

Patrs Number	Key No.	Patrs Number	Key No.	Patrs Number	Key No.
100013-11520	1 - 10	177220-42030	RST - 18	900162-05028	1 - 19
100014-11520	1 - 12	177226-10120	RST - 15	900163-04016	1 - 24
100015-00120	3 - 39	177227-42030	RST - 16	900163-04016	1 - 31
100015-04630	1 - 11	177228-06530	RST - 17	900220-05065	3 - 17
100204-52132	1 - 13	177234-12220	RST - 10	900238-04012	1 - 26
100204-52133	1 - 13	177236-44330	RST - 13	900238-05010	1 - 38
100212-42031	1 - 14	178003-52130	5 - 13	900238-05020	FTN - 12
100215-03930	1 - 15	178010-52130	5 - 17	900238-05022	3 - 8
100242-42030	1 - 18	178012-52730	5 - 28	900242-04010	3 - 32
101511-44630	1 - 20	178013-52630	5 - 29	900242-05014	5 - 11
125323-08260	7 - 13	178043-42230	5 - 18	900242-05025	5 - 16
125337-08260	7 - 16	178090-52632	5 - 27	900242-05028	5 - 21
125338-13930	7 - 14	178121-43230	5 - 31	900242-05035	5 - 15
125339-42030	7 - 15	210417-52730	3 - 20	900253-05016	1 - 29
125342-52130	7 - 19	300605-22060	5 - 7	900500-00005	3 - 6
125344-13931	7 - 1	301000-22060	5 - 26	900500-00005	5 - 14
125344-52130	7 - 20	301200-29430	5 - 10	900500-00005	5 - 22
125381-46730	7 - 25	305110-42030	FTN - 19	900600-00005	3 - 36
129011-52730	3 - 16	351213-52130	5 - 19	900600-00005	6 - 23
130010-13410	3 - 9	351311-22060	5 - 3	900603-00005	6 - 49
130010-42032	3 - 5	433014-03931	6 - 48	900603-00005	FTN - 14
130017-44331	3 - 7	433016-39131	6 - 47	900701-00012	1 - 33
130110-12330	6 - 21	433019-03933	6 - 3	900702-00032	1 - 35
130310-54130	3 - 18	436012-37830	6 - 37	900706-00012	6 - 24
130313-05863	3 - 19	436205-02832	6 - 19	900814-06201	1 - 34
131004-55530	FTN - 16	437002-39130	6 - 10	91107-04008	3 - 37
131016-55830	FTN - 17	437063-38330	6 - 27	91109-05016	6 - 33
131045-28230	6 - 32	437244-39130	6 - 9	94035-36201	1 - 16
131051-56030	FTN - 18	610013-22060	5 - 6	94052-06001	6 - 25
131205-07320	FTN - 10	610217-22060	5 - 5	A011-000101	1 - 3
131314-06320	6 - 35	610609-24661	5 - 2	A021-001460	3 - 10
132012-56030	FTN - 6	890157-39130	5 - 30	A021-001460	7 -
132013-09820	FTN - 9	890160-22661	5 - 1	A101-000090	1 - 9
132112-22031	1 - 37	890332-52730	3 - 21	A130-000540	1 - 5
132115-01461	6 - 20	895410-39131	6 - 46	A160-000590	1 - 28
145862-40630	3 - 29	895610-00130	6 - 45	A162-000070	1 - 30
145866-42031	3 - 30	900031-50100	5 - 8	A226-001410	3 - 18
150112-44330	RST - 8	900038-00100	5 - 4	A313-000580	3 - 31
156110-54930	RST - 23	900053-00200	5 - 9	A350-000291	FTN - 15
159012-10230	RST - 5	900105-05055	3 - 35	A356-000030	FTN - 5
159016-05330	RST - 6	900109-05010	6 - 18	A365-000050	6 - 38
175000-56831	RST - 1	900109-05010	6 - 18	A409-000210	RST - 2
175005-42030	1 - 36	900109-05010	6 - 50	A411-000130	RST - 4
175014-39131	6 - 7	900109-05025	6 - 1	A411-000130	RST - 4
175053-04920	1 - 32	900109-05025	6 - 34	A425-000000	RST - 7
177200-42033	RST - 12	900162-04020	RST - 3	C051-000110	6 - 39
177202-44331	RST - 9	900162-04020	RST - 19	C200-000000	6 - 31
177215-44430	RST - 14	900162-05022	1 - 6	C300-000001	6 - 5
177218-44330	RST - 11	900162-05025	1 - 21	C531-000010	6 - 2

Index

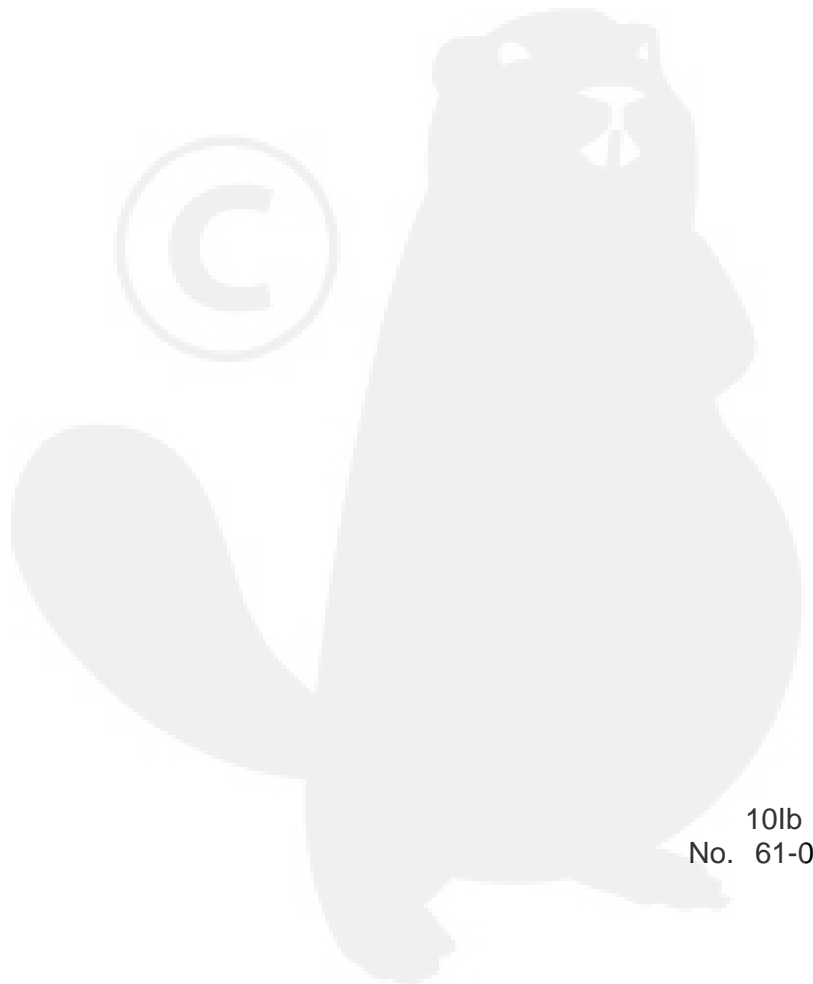
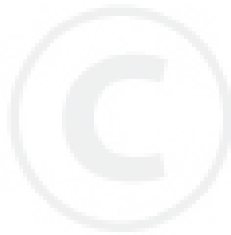
Patrs Number	Key No.	Patrs Number	Key No.	Patrs Number	Key No.
C534-000400	6 - 28	X502-000330	2ST - 20		
C580-000070	6 - 8	X547-000920	1 - 27		
P005-000010	7 - 9	X690-000050	6 - 44		
P005-000100	7 - 3				
P005-000190	7 - 4				
P005-000200	7 - 17				
P005-000200	8 - 2				
P005-000250	7 - 26				
P005-000270	7 - 24				
P005-000280	7 - 7				
P005-000510	7 - 21				
P005-000510	8 - 3				
P005-000520	7 - 22				
P005-000520	8 - 4				
P005-000940	7 - 12				
P005-001000	7 - 8				
P005-001240	7 - 2				
P005-001250	7 - 11				
P005-001260	7 - 10				
P005-001320	7 - 5				
P005-001660	8 -				
P005-001780	7 - 18				
P005-001780	8 - 1				
P005-001890	7 - 23				
P005-001900	7 - 27				
P005-002010	7 - 6				
P021-004480	3 - 14				
P021-007420	3 - 28				
P021-007712	1 - 8				
P021-014550	5 - 20				
V043-000200	5 - 25				
V100-000160	1 - 7				
V104-000510	3 - 38				
V137-000030	FTN - 8				
V150-001640	2ST - 24				
V224-000000	6 - 40				
V354-000010	6 - 30				
V470-000180	6 - 22				
V471-001190	FTN - 11				
V471-001200	FTN - 7				
V485-000290	2ST - 21				
V553-000060	1 - 4				
V583-000010	6 - 6				
V651-000201	6 - 29				
V651-000230	6 - 26				
X101-000110	6 - 42				
X221-000040	6 - 41				
X490-000060	6 - 43				
X502-000330	6 - 4				



YAMABIKO CORPORATION

7-2 SUEHIROCHO 1-CHOME, OHME, TOKYO 198-8760, JAPAN
PHONE: 81-428-32-6118. FAX: 81-428-32-6145.

ECHO®



10lb
No. 61-055